

**195700**

# Illustrated Parts List

## Model Series

# 195700

TYPE NUMBERS  
0101 through 4527.

### TABLE OF CONTENTS

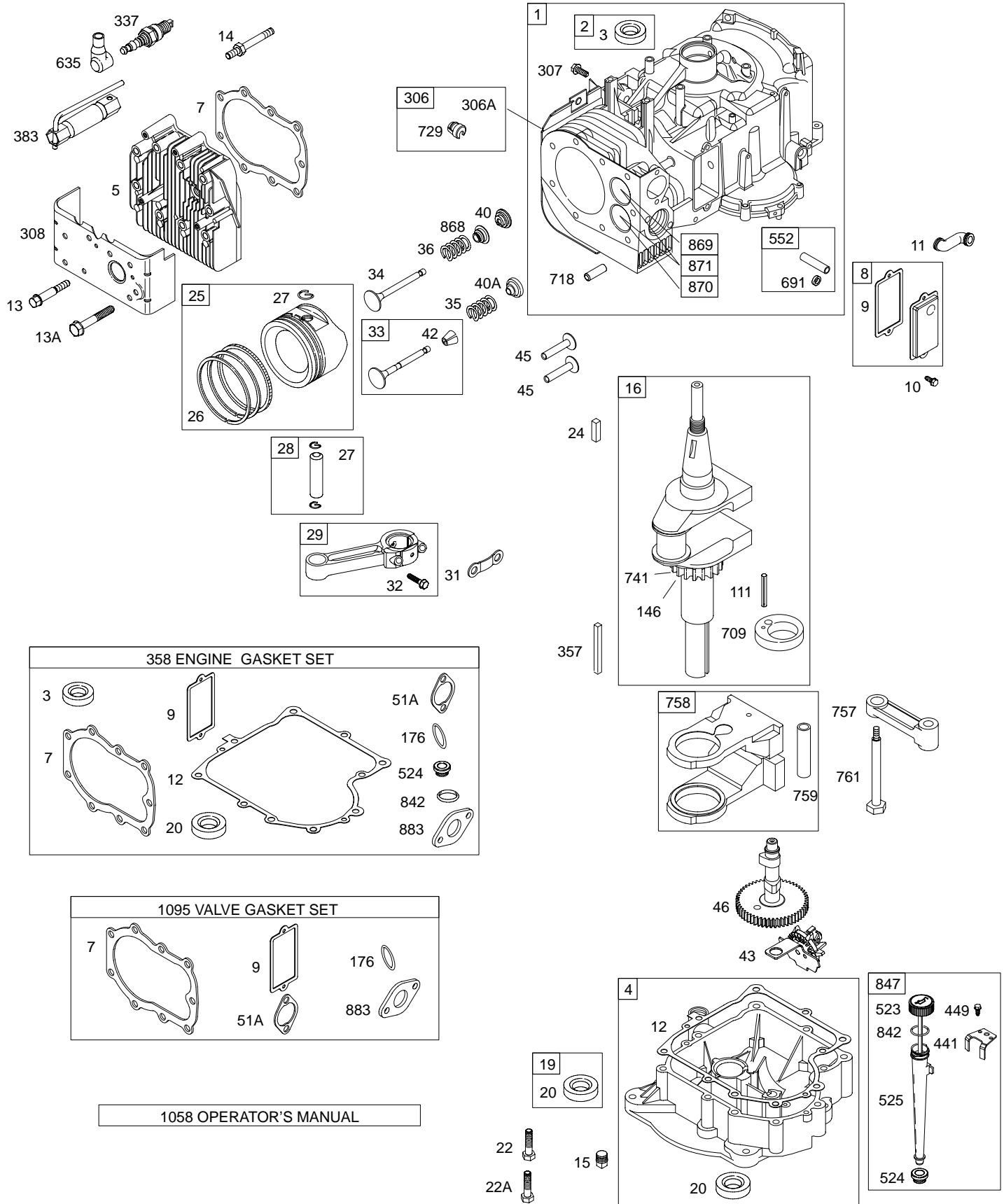
Air Cleaner .....	4
Alternator .....	6
Blower Housing/Shrouds .....	5
Cam .....	2
Carburetor .....	3
Controls .....	4
Crankcase Cover/Sump .....	2
Crankshaft .....	2
Cylinder .....	2
Electric Starter .....	6
Flywheel .....	5
Fuel Tank .....	4
Governor Spring .....	4
Head .....	2
Ignition .....	5
Kits/Gaskets-Carburetor .....	3
Kits/Gaskets-Valve .....	2
Muffler .....	4
Oil .....	2
Piston Group .....	2
Rewind .....	5
Valves .....	2

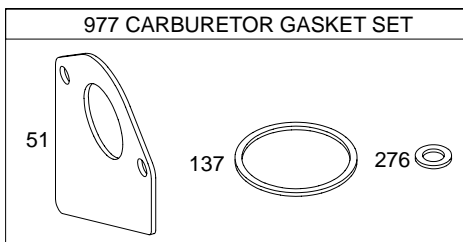
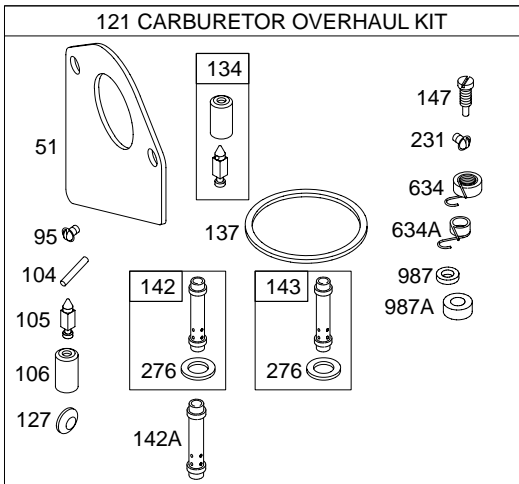
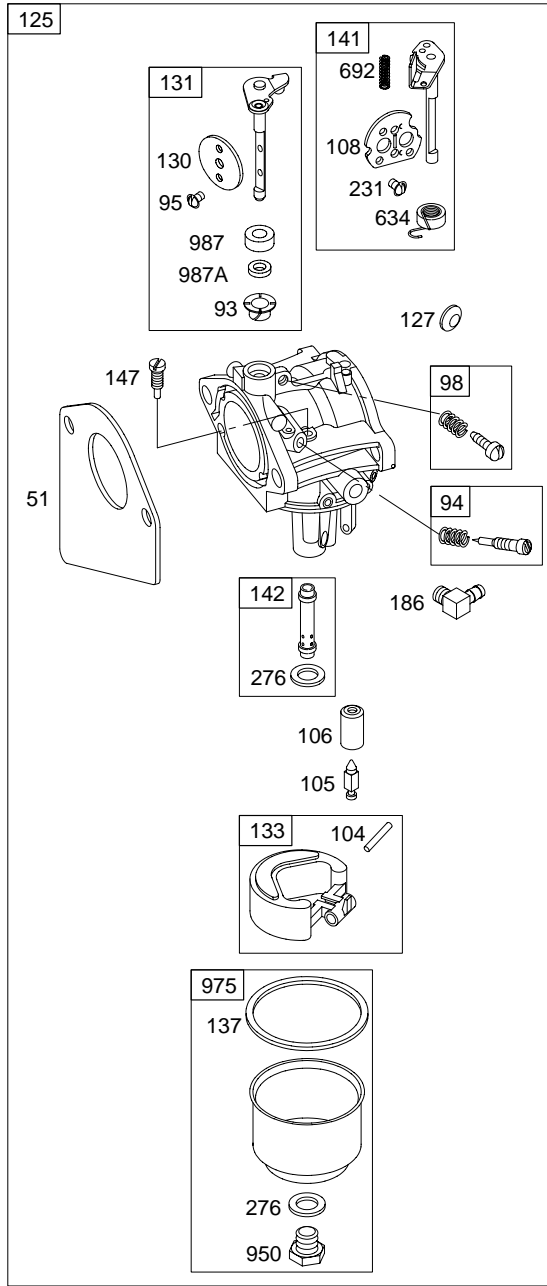
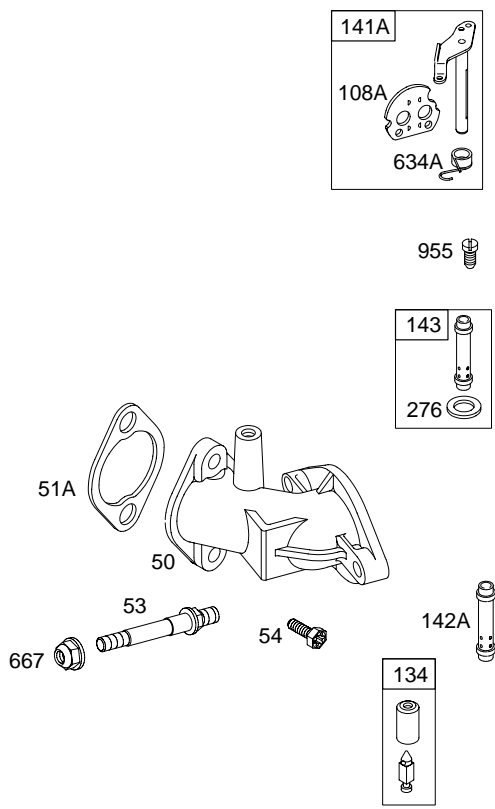
PRINTED IN U.S.A.



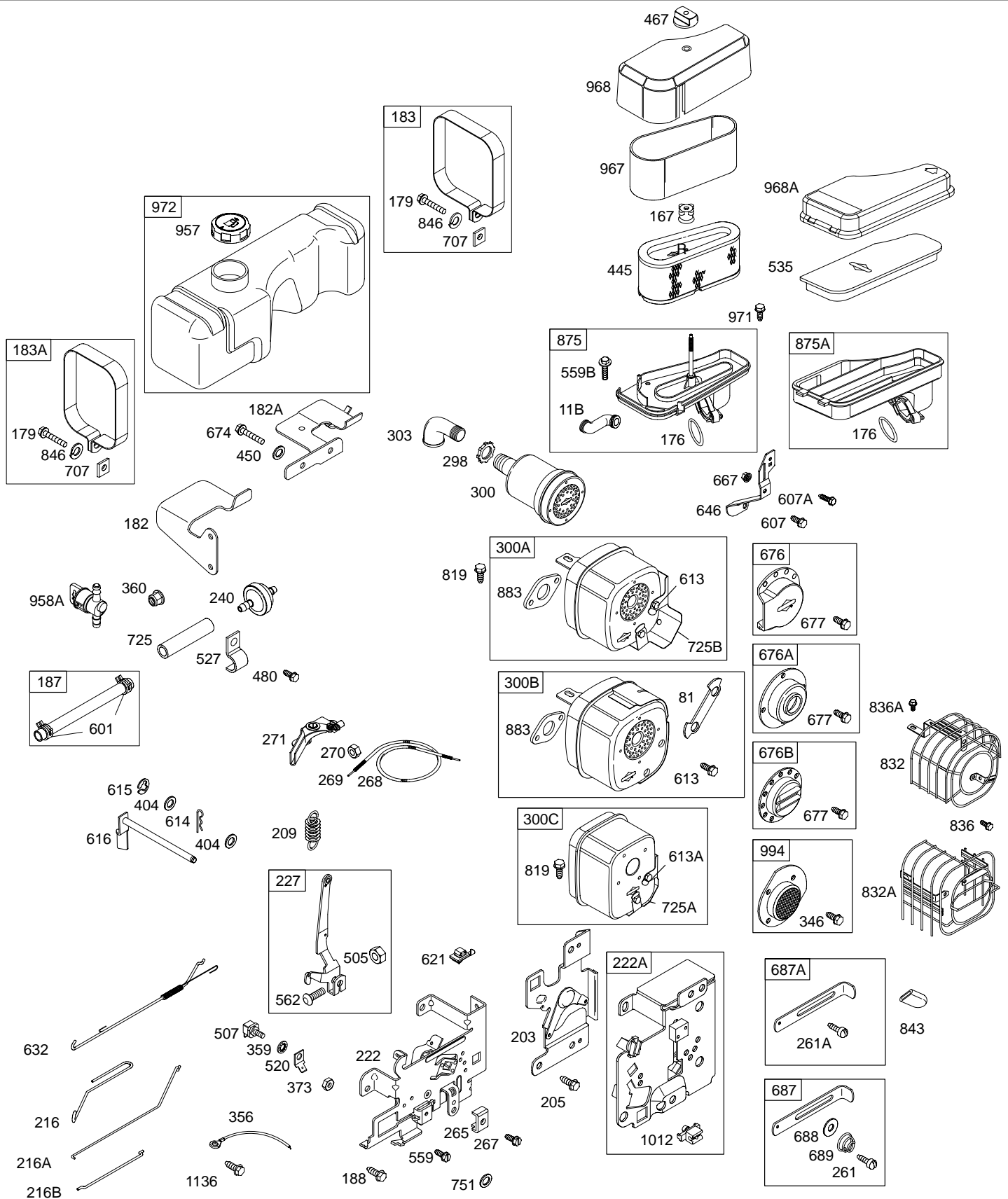
COPYRIGHT by BRIGGS & STRATTON CORPORATION  
 All rights reserved. No part of this material may be reproduced or transmitted, in any form or by any means, electronic or mechanical, including photocopying, recording or by any information storage and retrieval system, without permission in writing from Briggs & Stratton Corporation.

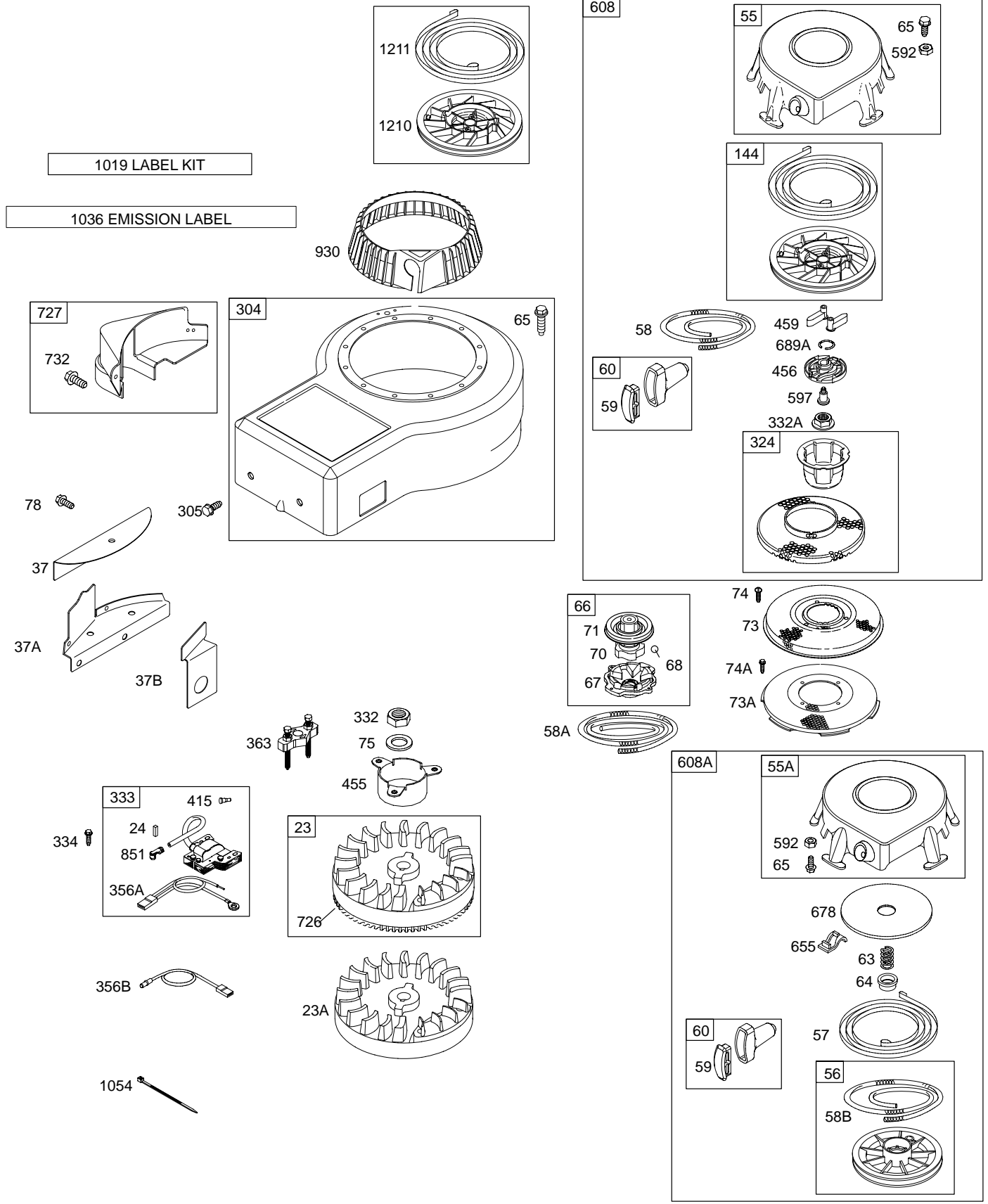
# 195700




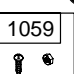

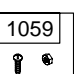

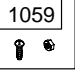

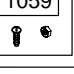





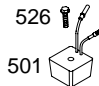


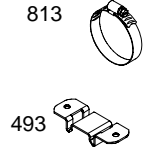
# 195700



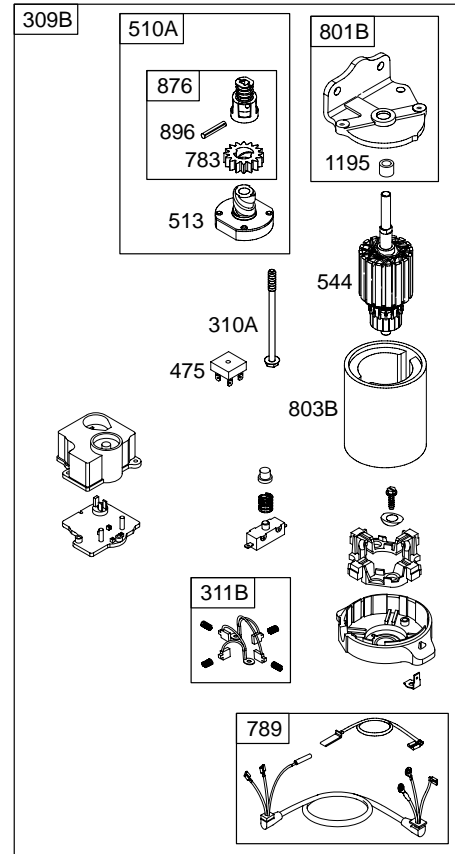
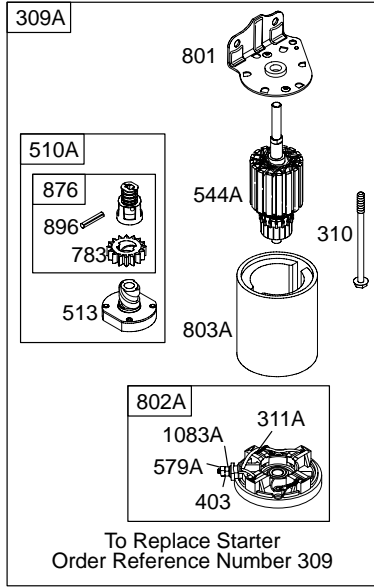
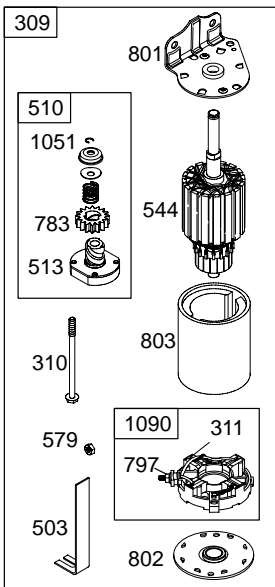


# 195700

DUAL CIRCUIT	DC ONLY	SEE NOTE 10-13-16 AMP STATOR	SEE NOTE TRI-CIRCUIT / OR 5 AMP AND 9 AMP
474 877  1059 	474A 877A  1059 	474B 877B  1059 	474C 877C  1059 
878 	578 	578 	578A 
		526A 501A 	526 501 
<p>NOTE: THE PROPER FLYWHEEL PART NUMBER AND/OR THE ALTERNATOR MAGNET SIZE WILL DETERMINE THE ALTERNATOR TYPE OR OUTPUT. SEE REPAIR MANUAL FOR ADDITIONAL INFORMATION</p>			



NOTE: ALL OLD STYLE STATORS USE REFERENCE NUMBER 1119 MOUNTING SCREW



REF. NO.	PART NO.	DESCRIPTION	REF. NO.	PART NO.	DESCRIPTION	REF. NO.	PART NO.	DESCRIPTION
1	495726	Cylinder Assembly (Used Before Code Date 92070600).	15	690946	Plug–Oil Drain	26	499921	Ring Set (Standard)
2	495657	Kit–Bushing/Seal (Magneto Side) (Used After Code Date 92070500).	16	694054	Crankshaft (Used After Code Date 98111600).			———— <b>Note</b> ———
		———— <b>Note</b> ———			———— <b>Note</b> ———			299743 Ring Set (Standard)
		399267 Kit– Bushing/Seal (Magneto Side) (Used Before Code Date 92070600).			495629 Crankshaft (Used Before Code Date 98111700 and After Code Date 92070500).			(Chrome)
3	*391086	Seal–Oil (Magneto Side) (Used After Code Date 92070500).			495632 Crankshaft (Used After Code Date 92070500).	27	690975	Lock–Piston Pin
		———— <b>Note</b> ———			Used on Type No(s). 4018, 4027, 4518, 4527.	28	499302	Pin–Piston (Standard)
		*294606 Seal–Oil (Magneto Side) (Used Before Code Date 92070600).			396877 Crankshaft (Used Before Code Date 92070600).			———— <b>Note</b> ———
4	392548	Sump–Engine	19	295963	Kit–Bushing/Seal (PTO Side)			499303 Pin–Piston (.005" Oversize)
5	691715	Head–Cylinder	20	*391086	Seal–Oil (PTO Side)	29	390402	Rod–Connecting (Standard)
7	∅*272163	Gasket–Cylinder Head	22	691625	Screw (Crankcase Cover/Sump)			———— <b>Note</b> ———
8	495735	Breather Assembly	22A	691103	Screw (Crankcase Cover/Sump) (Used In Position 1)	31	222114	Lock–Rod Screw
9	∅*27803	Gasket–Breather	23	691354	Flywheel (Electric Start)	32	690352	Screw (Connecting Rod)
10	691666	Screw (Breather Assembly)			———— <b>Note</b> ———	33	691794	Valve–Exhaust
11	692293	Tube–Breather			690626 Flywheel (Electric Start) Used on Type No(s). 0129, 0131, 0429.	34	261055	Valve–Intake
11B	692253	Tube–Breather	23A	690615	Flywheel (Rewind Start)	35	691605	Spring–Valve (Intake)
12	*692221	Crankcase Gasket (.015" Thick) (Standard)	24	222698	Key–Flywheel	36	691597	Spring–Valve (Exhaust)
		———— <b>Note</b> ———	25	499907	Piston Assembly (Standard)	37	690411	Guard–Flywheel
		*27876 Gasket– Crankcase (.005" Thick)			———— <b>Note</b> ———			———— <b>Note</b> ———
		*27877 Gasket– Crankcase (.009" Thick)			499909 Piston Assembly (.020" Oversize)			692868 Guard– Flywheel Used on Type No(s). 0148, 0155.
13	691651	Screw (Cylinder Head) (2 5/8" Long)				37A	690490	Guard–Flywheel Used on Type No(s). 0129, 0429.
13A	690904	Screw (Cylinder Head) (3" Long)				37B	690488	Guard–Flywheel Used on Type No(s). 0129, 0429.
14	691690	Stud (Cylinder Head)				40	690656	Retainer–Valve (Intake)
						40A	691939	Retainer–Valve (Exhaust)
						42	494553	Keeper–Valve (Exhaust)
						43	691980	Slinger–Governor/Oil
						45	691793	Tappet–Valve
						46	691167	Camshaft

★ Engine Gasket Set – Reference 358  
● Carburetor Overhaul Kit – Reference 121

◆ Carburetor Gasket Set – Reference 977  
∅ Valve Gasket Set – Reference 1095

# 195700

REF. NO.	PART NO.	DESCRIPTION	REF. NO.	PART NO.	DESCRIPTION	REF. NO.	PART NO.	DESCRIPTION	
50	691711	Manifold-Intake	94	494383	Kit-Idle Mixture	134	●494788	Kit-Needle/Seat (Used Before Code Date 92072000).	
51	●692284	Gasket-Intake (Intake Manifold to Carburetor)	94A	498836	Kit-Idle Mixture (LMT 145, 146, 147 148)	137	●281165	Gasket-Float Bowl	
51A	∅★272554	Gasket-Intake (Intake Manifold to Cylinder)	95	●691636	Screw (Throttle Valve)	141	495097	Kit-Choke Shaft (Manual Choke)	
53	690227	Stud (Carburetor)	98	495800	Kit-Idle Speed (Used After Code Date 92071900).	141A	495931	Kit-Choke Shaft (Choke A Matic)	
54	93208	Screw (Intake Manifold)	————— <b>Note</b> —————			142	690121	Nozzle-Carburetor (Standard) (LMT 190, 191, 192, 194)	
55	693904	Housing-Rewind Starter (Used After Code Date 98111500).	104	●690525	Pin-Float Hinge	142A	●494877	Nozzle-Carburetor (Standard) (LMT 20, 21, 22, 23, 25, 46, 49, 50, 51, 53, 83, 84, 85, 86, 87, 88, 90)	
55A	393576	Housing-Rewind Starter (Used Before Code Date 98111600).	105	●231855	Valve-Float Needle	————— <b>Note</b> —————			
56	295871	Pulley-Starter	106	●690577	Seat-Inlet (Used After Code Date 92071900).	691901	Seat-Inlet (Used Before Code Date 92072000).	499105	Nozzle- Carburetor (Standard) (LMT 145, 146, 147, 148)
57	490179	Spring-Rewind Starter	108	690464	Valve-Choke (Manual Choke)	143	692688	Nozzle-Carburetor (High Altitude) (LMT 190, 191, 192, 194)	
58	693389	Rope-Starter (70" Long)	108A	692344	Valve-Choke (Choke A Matic)	————— <b>Note</b> —————			
58A	695002	Rope-Starter (99" Long)	111	691679	Pin-Retainer	499108	Nozzle- Carburetor (High Altitude) (LMT 145, 146, 147, 148)	495608	Nozzle- Carburetor (High Altitude) (LMT 20, 21, 22, 23, 25, 46, 49, 50, 51, 53, 83, 84, 85, 86, 87, 88, 90)
58B	692188	Rope-Starter (63" Long)	121	497535	Kit-Carburetor Overhaul	144	697843	Pulley/Spring Assembly	
59	490653	Insert-Grip	125	692684	Carburetor (LMT 145, 146, 147, 148, 190, 191, 192, 194)	146	690979	Key-Timing	
60	490652	Grip-Starter Rope	————— <b>Note</b> —————			147	●497472	Jet-Pilot	
63	690547	Spring-Ratchet	495782	Carburetor (LMT 53, 87, 88, 89, 90)	167	692297	Seal-Air Cleaner Nut		
64	691920	Adapter-Ratchet Spring	495780	Carburetor (LMT 83, 84, 85, 86)	176	★691917	Seal-O Ring (Air Cleaner Base)		
65	690837	Screw (Rewind Starter)	696461	Carburetor Used on Type No(s). 0401, 0402, 0412, 0414, 0421, 0429, 0430, 0432, 0449, 0450, 0457, 0461, 0462, 0465, 0467, 0468, 0490, 4502, 4515, 4516, 4518, 4519, 4520, 4525, 4526, 4527.	179	692331	Screw (Fuel Tank Strap)		
66	399671	Clutch-Starter (Used Before Code Date 98111600).	127	●694530	Plug-Welch	182	691214	Bracket-Fuel Tank (Right Hand)	
67	394897	Housing-Clutch	130	690468	Valve-Throttle	182A	692867	Bracket-Fuel Tank (Left Hand)	
68	691604	Ball-Clutch	131	494885	Kit-Throttle Shaft				
70	691945	Ratchet-Clutch	133	494381	Float-Carburetor				
71	691359	Cover-Ratchet							
73	691748	Screen-Rotating							
73A	691754	Screen-Rotating							
74	691655	Screw (Rotating Screen)							
74A	691660	Screw (Rotating Screen)							
75	690582	Washer (Flywheel)							
78	690364	Screw (Flywheel Guard)							
81	691729	Lock-Muffler Screw							
93	690602	Bushing-Throttle Shaft							

★ Engine Gasket Set - Reference 358  
● Carburetor Overhaul Kit - Reference 121

◆ Carburetor Gasket Set - Reference 977  
∅ Valve Gasket Set - Reference 1095



REF. NO.	PART NO.	DESCRIPTION	REF. NO.	PART NO.	DESCRIPTION	REF. NO.	PART NO.	DESCRIPTION
183	698459	Strap—Fuel Tank (Right Hand)	269	691026	Wire—Control (Cut to Required Length)	311	497608	Brush Set
183A	692030	Strap—Fuel Tank (Left Hand)	270	691027	Nut (Control Wire Casing)	311A	395538	Brush Set
186	692317	Connector—Hose (Used Before Code Date 01031900).	271	691028	Lever—Control	311B	393612	Brush Set Used on Type No(s). 0131.
187	296004	Line—Fuel (Cut to Required Length)	276	◆692255	Washer—Sealing	324	695160	Screen/Cup Assembly (Used After Code Date 99022800).
188	691693	Screw (Control Bracket)	298	690453	Locknut—Muffler/Elbow	332	690662	Nut (Flywheel)
203	691381	Crank—Bell	300	393010	Muffler (Round Lo Tone)	332A	693899	Nut (Flywheel)
205	691693	Screw (Bell Crank)	300A	691971	Muffler (Lo Tone)	333	398811	Armature—Magneto
209	690480	Spring—Governor (Red)	300B	692304	Muffler (Lo Tone)	334	691061	Screw (Magneto Armature)
		<b>Note</b>	300C	494222	Muffler (Super Lo Tone)	337	802592	Plug—Spark
		691795 Spring—Governor (Yellow)	303	94092	Elbow—Exhaust	346	690661	Screw (Spark Arrester)
		Used on Type No(s). 0124, 0134, 0136, 0137, 0139, 0143, 0152, 0153, 0189, 0436, 4018, 4027, 4518, 4527.	304	496439	Housing—Blower (Electric Start)	356	399222	Wire—Stop
		691278 Spring—Governor (Platinum)	305	692198	Screw (Blower Housing)	356A	398808	Wire—Stop
		Used on Type No(s). 4016, 4516.	306	496797	Shield—Cylinder	356B	690799	Wire—Stop
216	690573	Link—Choke	306A	224898	Shield—Cylinder	357	691483	Key—Drive Pulley
216A	692893	Link—Choke	307	691003	Screw (Cylinder Shield)	358	299577	Gasket Set—Engine
216B	691281	Link—Choke	308	691201	Cover—Cylinder Head	359	691077	Washer (Ground Terminal)
222	694042	Bracket—Control	309	693054	Motor—Starter	360	691105	Nut (Fuel Tank Bracket)
222A	692002	Bracket—Control (Choke A Matic)	309A		Motor—Starter (For Replacement Starter Motor, See Ref 309)	363	19165	Puller—Flywheel
227	691374	Lever—Governor Control	309B	396505	Motor—Starter (120 Volt) Used on Type No(s). 0131.	373	691612	Nut (Ground Terminal)
231	◆691636	Screw (Choke Valve)	310	690323	Bolt (Starter Motor)	383	89838	Wrench—Spark Plug
240	298090	Filter—Fuel (Red)	310A	690318	Bolt (Starter Motor) Used on Type No(s). 0131.	403	690288	Washer (End Cap)
		<b>Note</b>				404	691691	Washer (Governor Crank)
		394358 Filter—Fuel (Natural)				415	692882	Plug
261	690278	Screw (Control Slide)				441	690593	Bracket—Oil Fill
261A	697176	Screw (Control Slide)				445	691667	Filter—Air Cleaner Cartridge
265	691024	Clamp—Casing				449	690664	Screw (Oil Fill Bracket)
267	690804	Screw (Casing Clamp)				450	691261	Washer (Fuel Tank Bracket) (Rewind Start)
268	691025	Casing—Control Wire (Cut to Required Length)						<b>Note</b>
								690259 Washer (Fuel Tank Bracket) (Electric Start)
						455	691173	Cup—Flywheel
						456	692299	Plate—Pawl Friction
						459	281505	Pawl—Ratchet
						467	691668	Knob—Air Cleaner

★ Engine Gasket Set – Reference 358  
 ● Carburetor Overhaul Kit – Reference 121

◆ Carburetor Gasket Set – Reference 977  
 ∅ Valve Gasket Set – Reference 1095

# 195700

REF. NO.	PART NO.	DESCRIPTION	REF. NO.	PART NO.	DESCRIPTION	REF. NO.	PART NO.	DESCRIPTION
474	696459	Alternator (Dual Circuit)	579	691029	Nut (Starter Cable)	677	690661	Screw (Muffler Deflector)
474A	696578	Alternator (DC Only)	579A	691626	Nut (Starter Cable)	678	490817	Spacer-Rewind
474B	696458	Alternator (10 Amp)	592	690800	Nut (Starter Rewind)	687	691949	Slide-Control
474C	696457	Alternator (Tri-Circuit)	597	691696	Screw (Pawl Friction Plate)	687A	691715	Slide-Control
475	393707	Rectifier	601	95162	Clamp-Hose	688	690395	Cap-Friction
480	690664	Screw (Tube Clamp)	607	690703	Screw (Air Cleaner Brace) (13/32" Long)	689	690529	Spring-Friction
493	691177	Bracket-Mounting	607A	691693	Screw (Air Cleaner Brace) (3/8" Long)	689A	691855	Spring-Friction
501	691188	Regulator (5 to 9 Amp)	608	693900	Starter-Rewind (Used After Code Date 98111500).	691	491323	Seal-Governor Shaft
501A	691185	Regulator (10 to 16 Amp)	608A	390391	Starter-Rewind (Used Before Code Date 98111600).	692	262820	Spring-Detent
503	691532	Strap-Starter	613	691632	Screw (Muffler)	697	690372	Screw (Drive Cap) (11/16" Long)
505	691251	Nut (Governor Control Lever)	613A	691351	Screw (Muffler)	707	690279	Nut (Fuel Tank Strap)
507	691972	Insulator	614	691620	Pin-Cotter	709	691268	Eccentric
510	696541	Drive-Starter	615	93307	Retainer-Governor Shaft	718	690959	Pin-Locating
510A	696540	Drive-Starter	616	692012	Crank-Governor	725	690403	Shield-Heat
513	692024	Clutch-Drive	621	692310	Switch-Stop	725A	690433	Shield-Heat
520	691084	Terminal-Ground	632	693663	Spring/Link-Mechanical Governor	725B	690431	Shield-Heat
523	691387	Dipstick	634	690801	Spring/Seal Assembly (Manual Choke)	726	696537	Gear-Ring (Includes Mounting Hardware)
524	★281370	Seal-Dipstick Tube	634A	690802	Spring/Seal Assembly (Choke A Matic)	727	395405	Cover-Starter Drive
525	692963	Tube-Dipstick	635	66538	Boot-Spark Plug	729	690596	Clip-Wire
526	690297	Screw (Regulator)	646	690465	Brace-Air Cleaner	732	691097	Screw (Starter Drive Cover)
526A	692198	Screw (Regulator)	655	691734	Anchor-Rewind Spring	735	390966	Cord-Starter Used on Type No(s). 0131.
527	690394	Clamp-Tube	667	690958	Nut (Air Cleaner Brace)	741	691288	Gear-Timing
535	272922	Filter-Air Cleaner Foam	674	691058	Screw (Fuel Tank Bracket) (3/4" Long)	751	691077	Washer (Stop Wire)
544	692034	Armature-Starter	<b>Note</b>			757	691714	Link-Counterweight
544A	390837	Armature-Starter	690341	Screw (Fuel Tank Bracket) (7/8" Long)	758	690619	Counterweight	
552	491986	Bushing-Governor Crank	676	393757	Deflector-Muffler (Side Out)	759	691239	Pin-Counterweight
559	690661	Screw (Remote Choke Stop)	676A	395700	Deflector-Muffler (Direct Out)	761	690346	Screw (Counterweight)
559B	693675	Screw (Remote Choke Stop) Used on Type No(s). 0457, 0465, 4516.	676B	393758	Deflector-Muffler (Louvered)	783	695708	Gear-Pinion
562	691119	Bolt (Governor Control Lever)				789	393706	Harness-Wiring
578	692306	Wire Assembly				797	693167	Nut (Brush Retainer)
						801	691283	Cap-Drive
						801B	492060	Cap-Drive Used on Type No(s). 0131.
						802	691286	Cap-End
						802A	395537	Cap-End (Contains Brush Set)
						803	693757	Housing-Starter
						803A	398159	Housing-Starter
						803B	491008	Housing-Starter Used on Type No(s). 0131.

★ Engine Gasket Set - Reference 358  
● Carburetor Overhaul Kit - Reference 121

◆ Carburetor Gasket Set - Reference 977  
∅ Valve Gasket Set - Reference 1095

REF. NO.	PART NO.	DESCRIPTION	REF. NO.	PART NO.	DESCRIPTION	REF. NO.	PART NO.	DESCRIPTION
813	690635	Clamp	883	∅*692237	Gasket-Exhaust	1051	691265	Ring-Retaining
819	690810	Screw (Muffler Bracket)	896	691641	Pin-Drive Retainer	1054	280275	Tie-Cable
832	691988	Guard-Muffler	930	691904	Guard-Rewind	1058	274787	Operator's Manual (Emission)
832A	690858	Guard-Muffler Used on Type No(s). 0450.	950	691657	Screw-Float Bowl	————— <b>Note</b> —————		
836	690367	Screw (Muffler Guard) (9/16" Long)	955	695659	Plug-Carburetor	272697	Operator's Manual (Non Emission)	
836A	690810	Screw (Muffler Guard) (1/2" Long)	957	493988	Cap-Fuel Tank	1059	698516	Kit-Screw/Washer (Alternator)
842	*691870	Seal-O Ring (Dipstick/Tube)	958A	698183	Valve-Fuel Shut Off	1083A	690958	Nut (End Cap) (Serrated)
843	697158	Sleeve-Lever	967	272477	Filter-Pre Cleaner	1090	691293	Retainer-Brush
846	690371	Washer (Fuel Tank Strap)	968	691324	Cover-Air Cleaner	1091	691333	Cap-Limiter
847	392066	Dipstick/Tube Assembly	968A	281108	Cover-Air Cleaner	1095	498536	Gasket Set-Valve
851	493880	Terminal-Spark Plug	971	690960	Screw (Air Cleaner Base to Carburetor)	1119	691183	Screw (Alternator)
868	692036	Seal-Valve	972	390225	Tank-Fuel	1136	690278	Screw (Control Bracket) (High Speed Control)
869	691703	Seat-Valve (Intake)	975	495933	Bowl-Float	1195	692859	Washer Used on Type No(s). 0131.
870	691844	Seat-Valve (Exhaust)	977	690192	Gasket Set-Carburetor	1210	498144	Pulley/Spring Assembly (Pulley) (Used After Code Date 00082000 and Before Code Date 01051100).
871	261961	Bushing-Valve Guide (Exhaust)	987	●691326	Seal-Throttle Shaft	1211	498144	Pulley/Spring Assembly (Spring) (Used After Code Date 00082000 and Before Code Date 01051100).
		————— <b>Note</b> —————	987A	●692001	Seal-Throttle Shaft (LMT 46, 49, 50, 51, 52, 53, 86)			
875	693670	Base-Air Cleaner	994	399541	Arrestor-Spark			
875A	494745	Base-Air Cleaner	1012	690585	Retainer-Link			
876	696539	Kit-Pinion Spring	1019	491182	Kit-Label			
877	393456	Wire/Connector- Alternator (Dual Circuit)	1036	696769	Label-Emissions (Used After Code Date 01093000).			
877A	393814	Wire/Connector- Alternator (DC Only)			————— <b>Note</b> —————			
877B	399916	Wire/Connector- Alternator (10 Amp)			695697 Label- Emissions (Used Before Code Date 01100100 and After Code Date 00063000).			
877C	393537	Wire/Connector- Alternator (Tri-Circuit)			695096 Label- Emissions (Used Before Code Date 00070100 and After Code Date 99093000).			
878	691237	Harness-Alternator (Dual Circuit)			694305 Label- Emissions (Used Before Code Date 99100100 and After Code Date 98123100).			
878A	691955	Harness-Alternator (Tri-Circuit)			499356 Label- Emissions (Used Before Code Date 99010100 and After Code Date 97052500).			
					499355 Label- Emissions (Used Before Code Date 97052600).			

★ Engine Gasket Set - Reference 358  
● Carburetor Overhaul Kit - Reference 121

◆ Carburetor Gasket Set - Reference 977  
∅ Valve Gasket Set - Reference 1095