

195400 to 195499

Illustrated Parts List

Industrial/Commercial

Model Series

195400 to 195499

TYPE NUMBERS
0600 through 0705,
0720 through 0911,
2124 through 2271,
4001 through 4026,
4035, 4041, 4042,
4047, 4048, 4049,
4070, 4071, 4073,
4090, 4091.

TO FIND THE CORRECT NUMBER OF THE PART YOU NEED: FOLLOW THE INSTRUCTIONS BELOW

- A. Refer to Engine Model, Type and Code Number that is stamped on the blower housing of engine. Engine type numbers such as 012301 are listed herein only as 0123 in most instances. The two digits (01 or 02, etc.) to the right of the space may be needed for more accurate parts identification. Then use the Illustrated Parts List covering the Model Series.
- B. Refer to Illustrated Parts section and compare the old part with illustration. The number on the illustration is the Reference Number. Assemblies include all parts shown in frames. All parts shown in assembly frames on which individual reference numbers are given can be purchased separately.
- C. After the Reference Number has been identified, refer to the Numerical Parts List, where Reference and Master Part Number are listed. **THE MASTER PART IS USED ON ALL TYPE NUMBERS EXCEPT THOSE TYPE NUMBERS UNDER "NOTE."**
- D. If a "Note" appears below the Master Part Number, this means that this part differs from the Master Part for certain types. If the Type number is listed under "Note," order the part referred to.
- E. If the Engine Type Number does not appear after any part number listed under "Note," use the Master Part Number.
- F. For Type Numbers higher than those covered by this book, please refer to the factory if you are unable to identify the part by comparison.

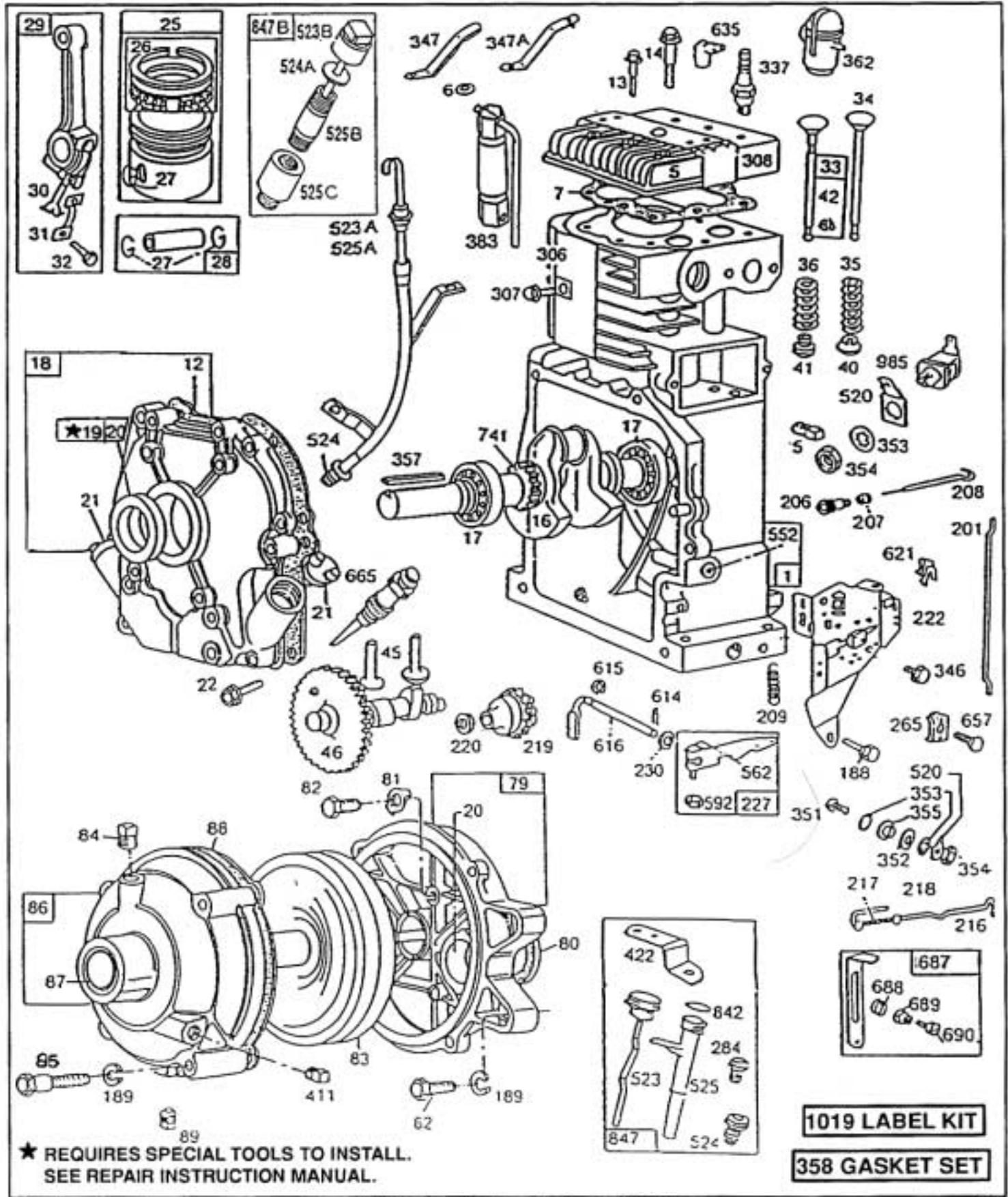
PRINTED IN U.S.A.

COPYRIGHT ©

BRIGGS & STRATTON

®

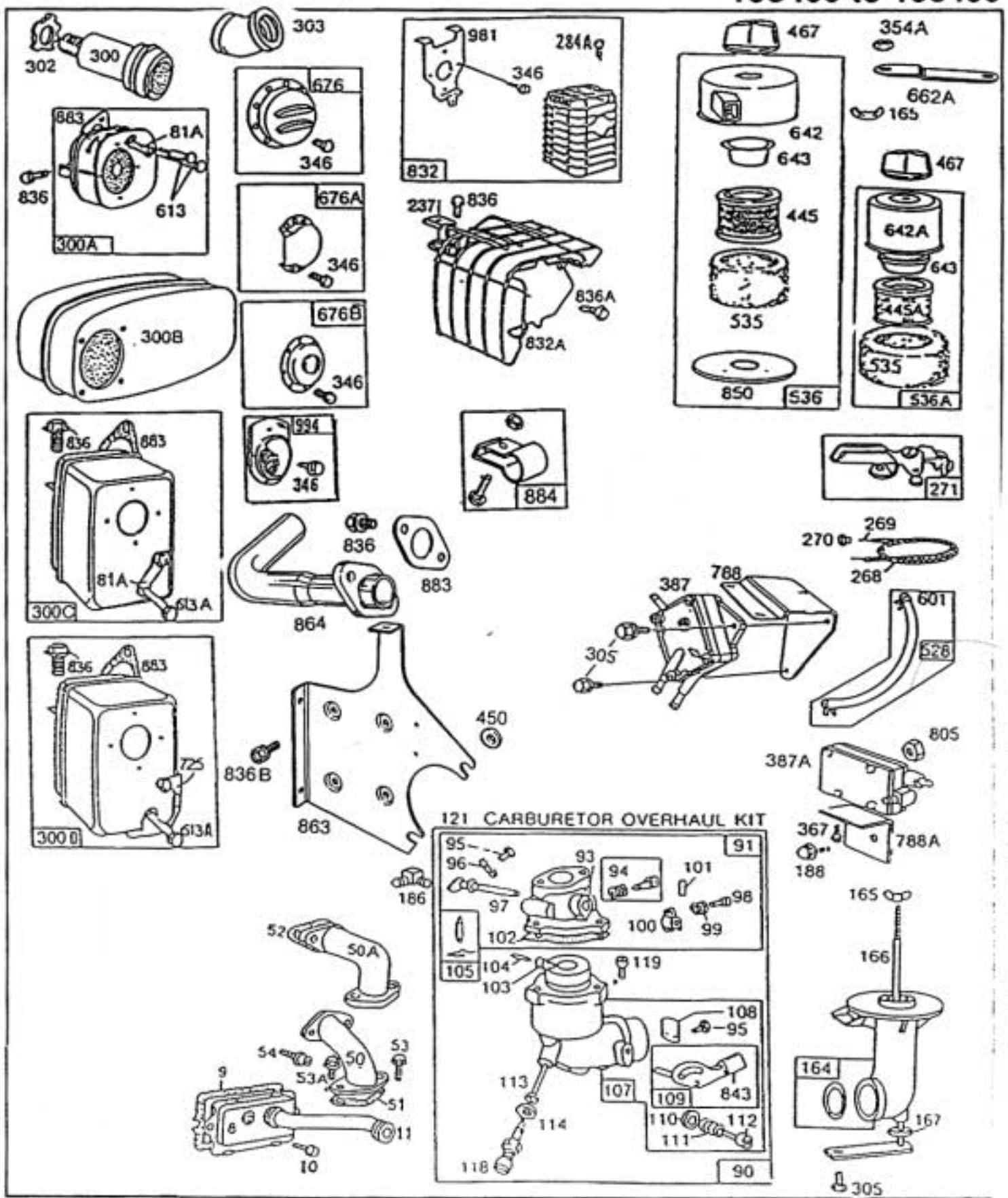
195400 to 195499



★ REQUIRES SPECIAL TOOLS TO INSTALL.
SEE REPAIR INSTRUCTION MANUAL.

1019 LABEL KIT
358 GASKET SET

195400 to 195499

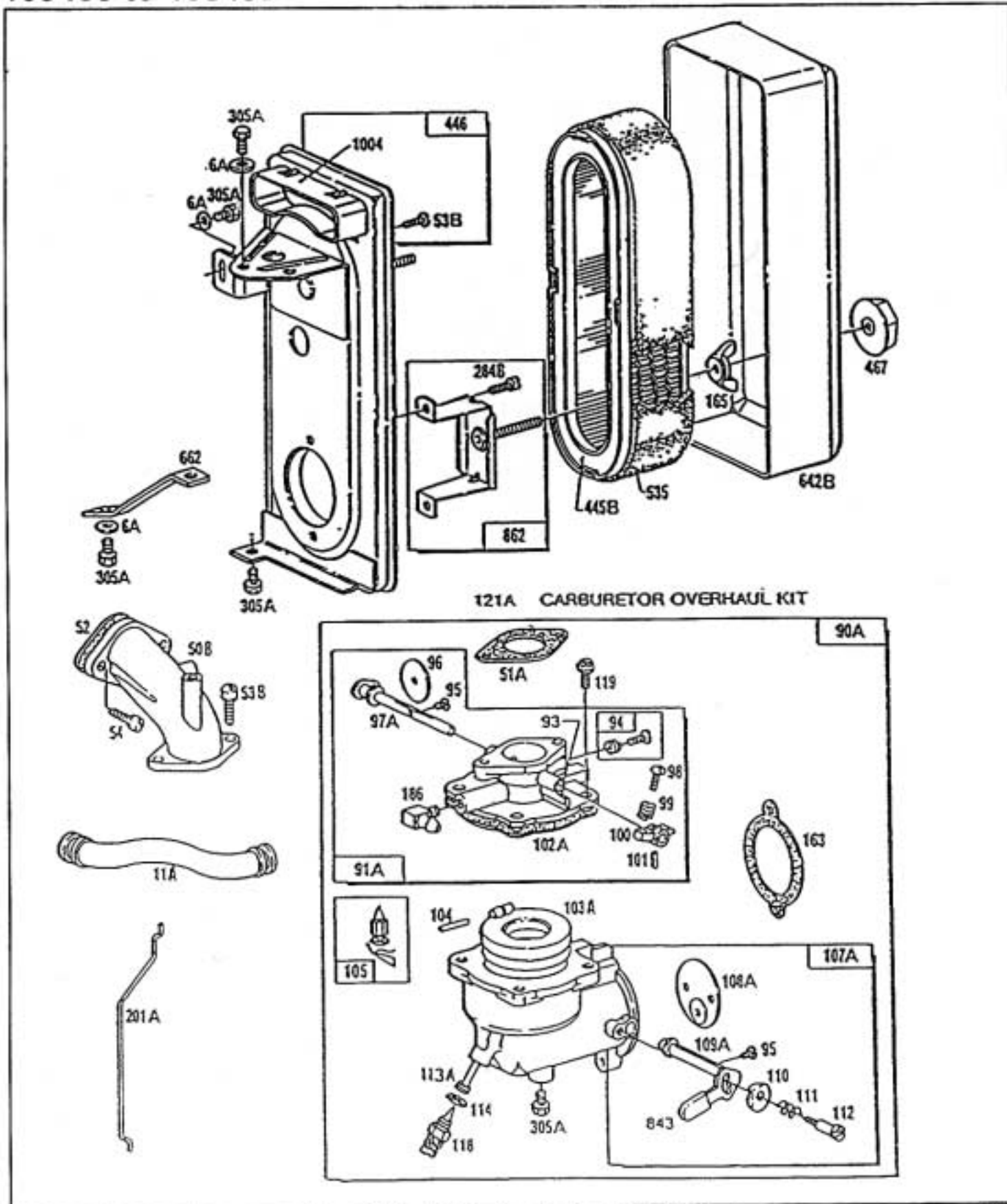


8583-3

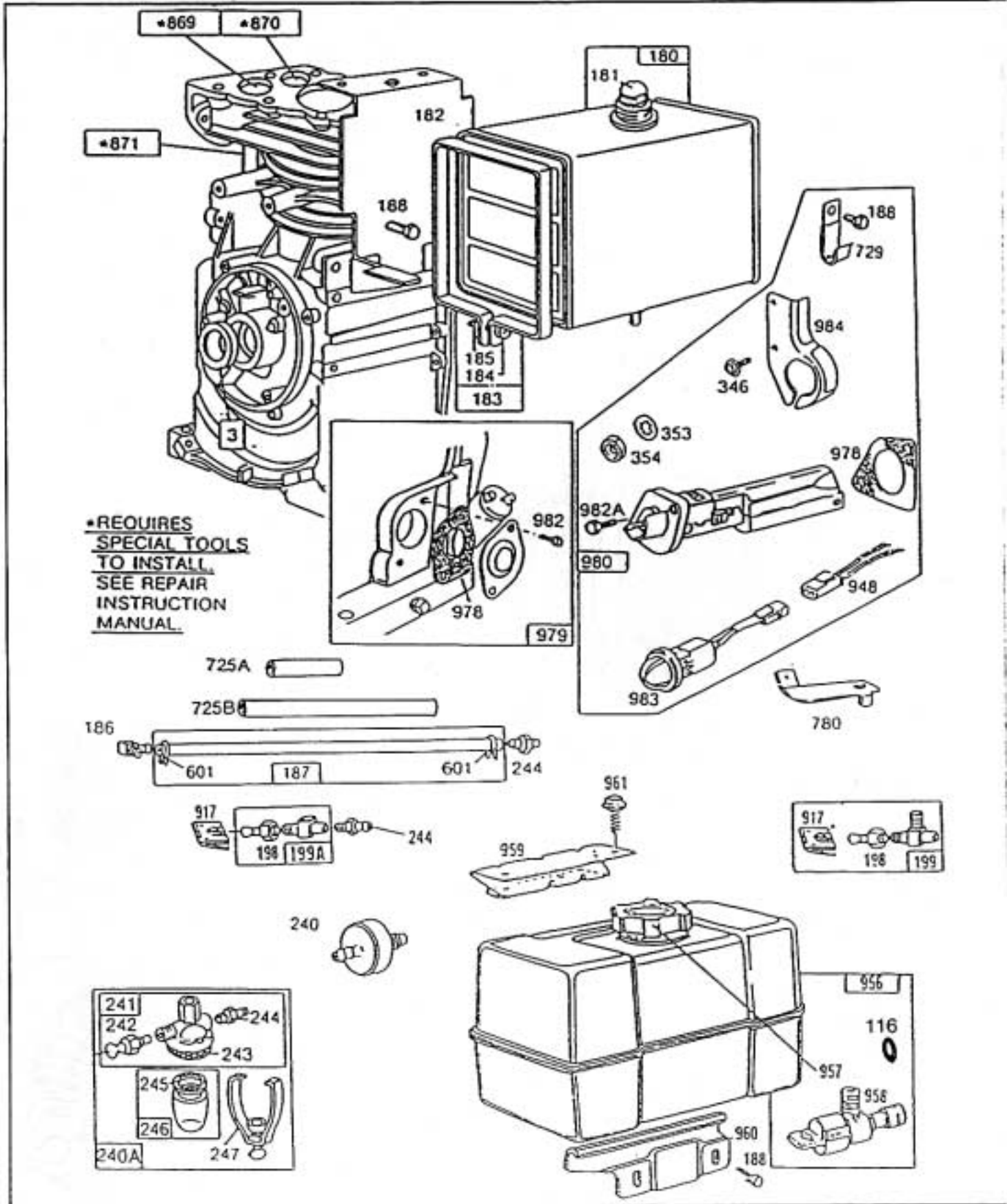
Assemblies include all parts shown in frames.

10

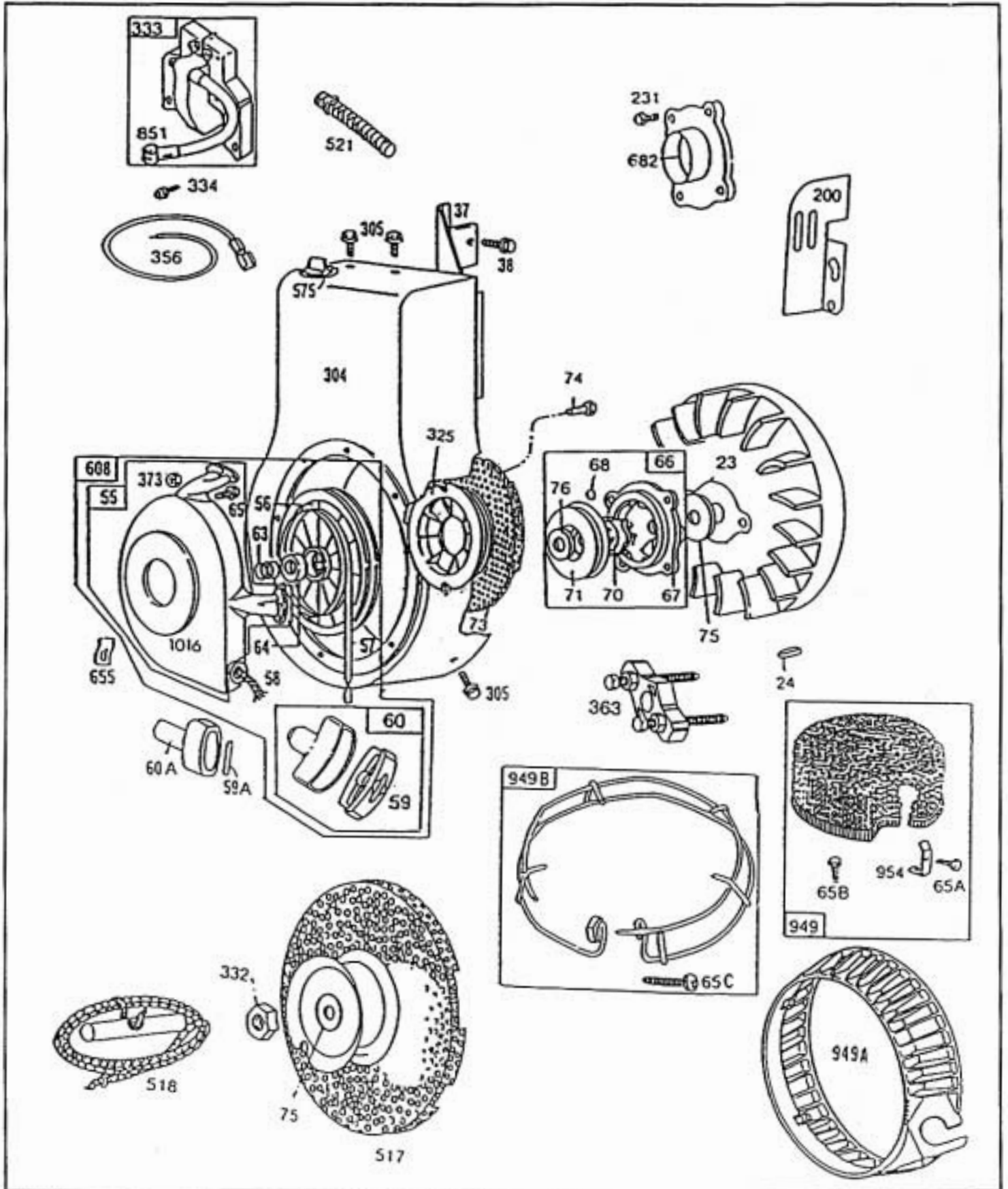
195400 to 195499












195400 to 195499



195400 to 195499

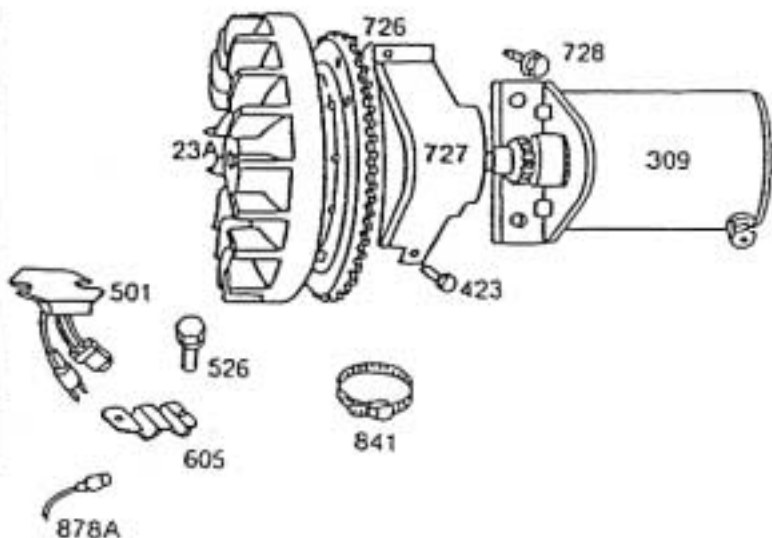
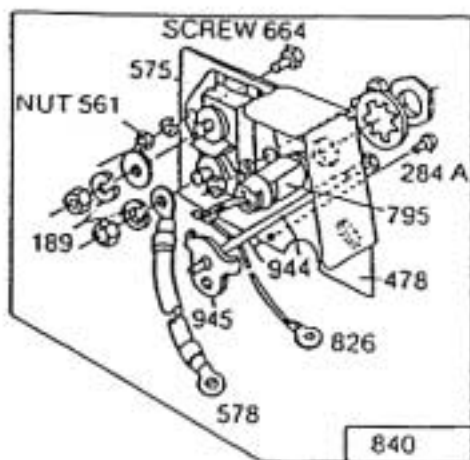


195400 to 195499

AC Only	DC Only	Dual Circuit	10 AMP
23A	23A	23A	23A
474A 	887 877A 	474 877 	UNDER NOTE 474 
814 	878A 	878 	878A 
			501 

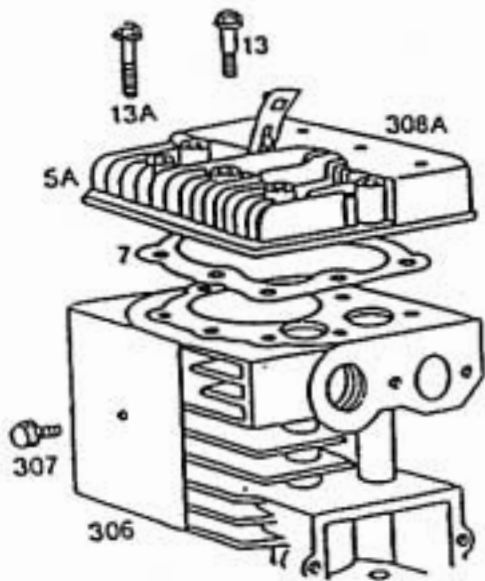


NOTE: All stators use #482 Mtg. Screw

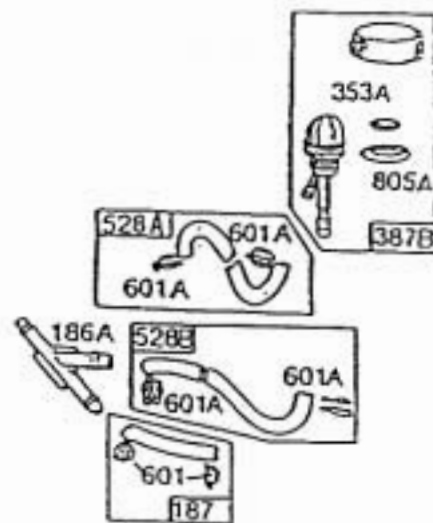
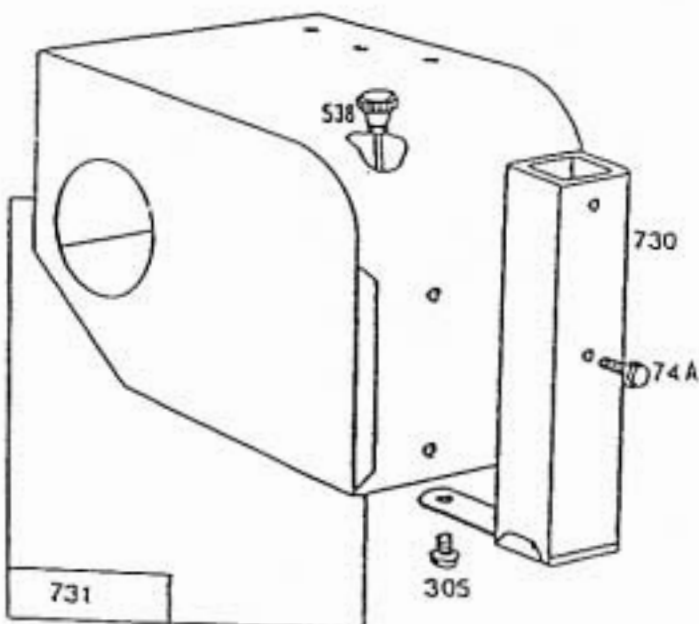


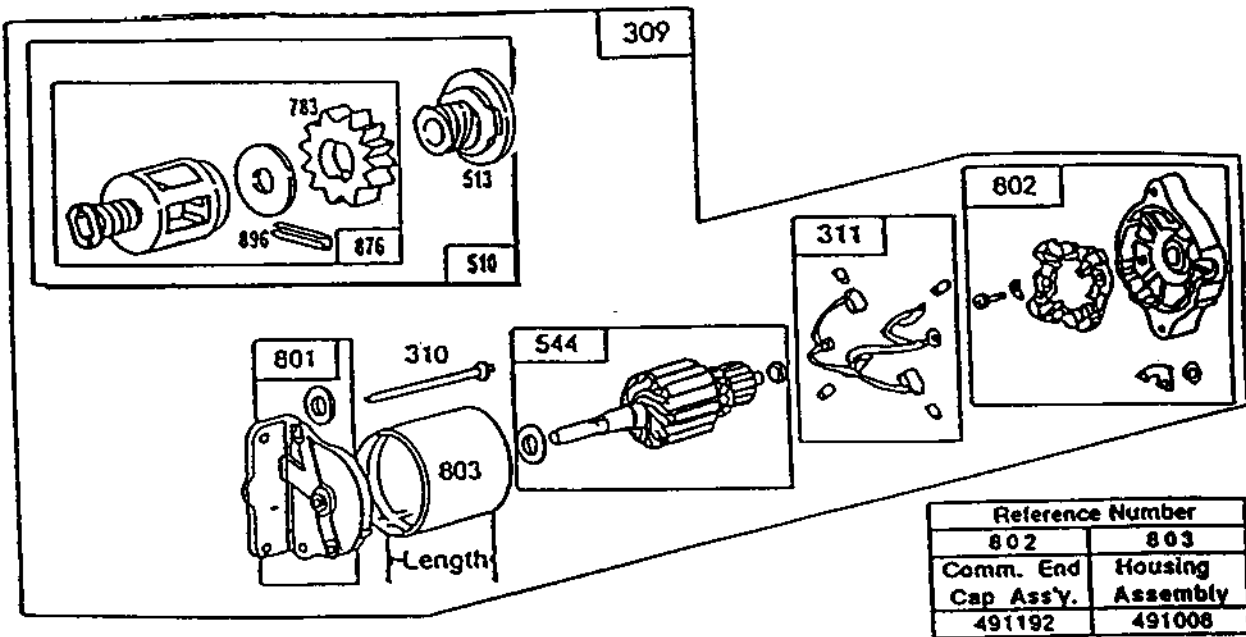
195400 to 195499

SNO-GARD PARTS



1002

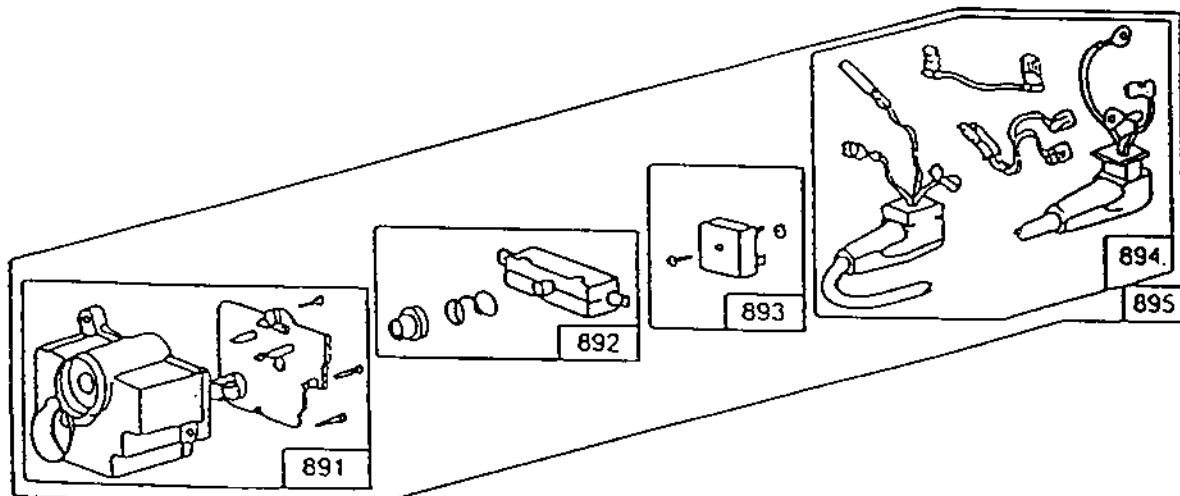




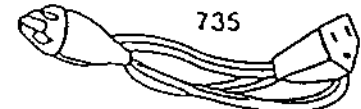
Reference Number	
802	803
Comm. End Cap Ass'y.	Housing Assembly
491192	491008

Reference Number		309 & 895	310	311	510	544	801
Manufacturer		Motor and Control Ass'y.	Thru Bolt Assembly	Brush Assembly	Drive Assembly	Armature Assembly	Drive End Cap Assembly
Briggs & Stratton	Housing Length						
120V	3-1/2	396505 (UL)	93934	393612	490421	393607	394398

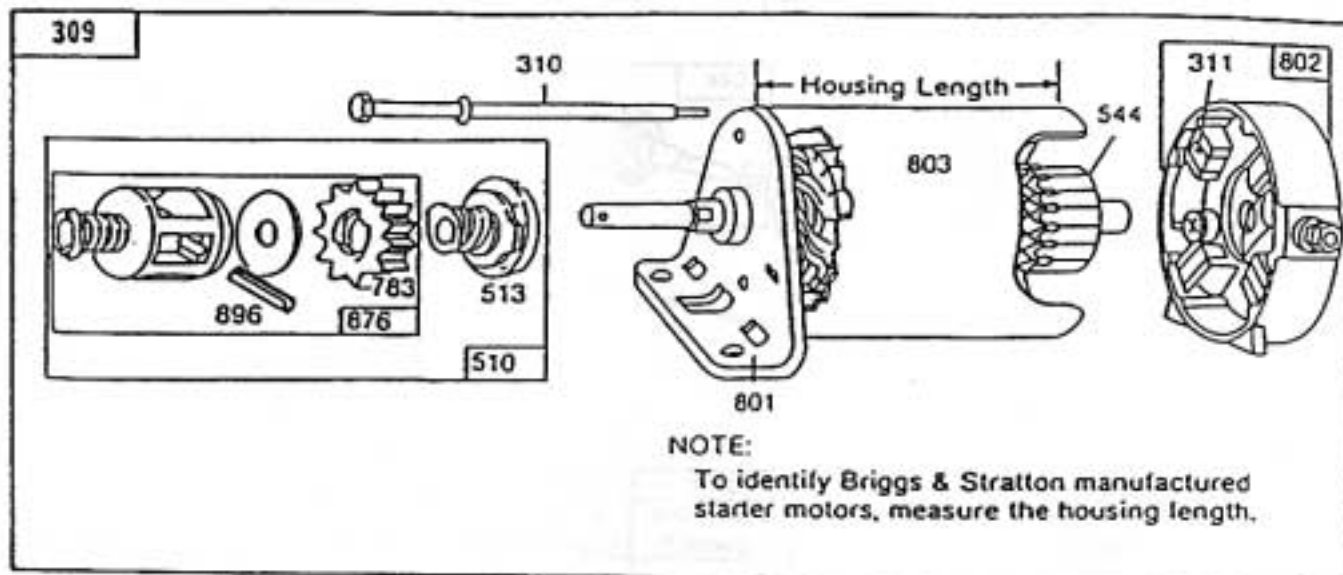
*Includes #398003 Clutch Assembly (Ref. No. 513)
 #280104 Gear (Ref. No. 783)
 #490467 Retainer and Pin (Ref. No. 876)
 # 94288 Roli Pin (Ref. No. 896)



Reference Number	891	892	893	894	895
Manufacturer	Housing Group	Switch Group	Rectifier Group	Lead Group	Control Group
Briggs & Stratton					
120V	393705	393708	393707	393706	393486



195400 to 195499



Reference No.		309	310	311	510	544	801	802	803
Starter Motor Mfr.		Motor & Drive Assy.	Thru Boly Assembly	Brush Assembly	Drive Assembly	Armature Assembly	End Cap Assy. Drive	End Cap Assy. Commutator	Housing Assembly
Briggs & Stratton	Housing Length								
12V	3-21/32"	394805	94003	395538	490421**	390837	394856	395537*	398159
United Technologies	Housing Length								
12V	3-15/32"	394805	-	492020	490421**	-	394856	492021*	-

*Includes Brush Set

**Includes #398003 Clutch Assembly (Ref. No. 513)
 #280104 Gear (Ref. No. 783)
 #490467 Retainer Kit (Ref. No. 876)
 # 94192(Black) or 94288(Yellow)Roll Pin (Ref. No. 896)

195400 to 195499

REF. NO.	PART NO.	DESCRIPTION	REF. NO.	PART NO.	DESCRIPTION	REF. NO.	PART NO.	DESCRIPTION
1	399218	Cylinder Assembly			0897, 0904, 0905,			492449 Crankshaft
3	*294606	Seal-Oil			0906, 0908, 0909,			(1" Long Thread)
5	212286	Head-Cylinder			0910, 4001, 4002,			Used on Type Nos.
5A	212918	Head-Cylinder (For Sno/Gard)			4004, 4006, 4007,			0602, 0621, 0628,
6	22963	Washer			4008, 4009, 4013,			0641, 0649, 0667,
6A	62199	Washer			4014, 4015, 4016,			0702, 0734, 0736,
7	*270430	Gasket-Cylinder Hd.			4017, 4020, 4022,			0737, 0738, 0739,
8	390321	Breather Assembly			4023, 4024, 4025,			0741, 0807, 0811,
	Note: 294988	Breather Assembly Used on Type No. 0835.			4035, 4041, 4042,			0820, 0821, 0895,
					4047, 4048, 4049,			0897, 0902, 2147,
					4070, 4071, 4073,			2247, 2250, 4002,
					4090, 4091.			4047, 4091.
9	*27803	Gasket-Valve Cover	13A	93113	Screw-Cylinder Head (2-5/16" Long) (For Sno/Gard)			492469 Crankshaft
10	94621	Screw-Sem			Note: 93583 Stud-Cylinder Head			Used on Type Nos.
11	280267	Tube-Breather			22963 Washer			0638, 0639, 0748,
	Note: 280733	Tube-Breather Used on Type No. 0817.			Used on Type No. 0817.			0857, 0858, 0869,
								0870, 0889, 2238,
								2239.
								492470 Crankshaft
								Used on Type Nos.
			14	93723	Screw-Cylinder Head (3" Long) (1)			0604, 0635, 0640,
					Note: 93781 Stud-Cylinder Head			0676, 0677, 0679,
11A	280716	Tube-Breather			22963 Washer			0693, 0704, 0749,
12	*271701	Gasket-Crankcase Cover (1/64" Thick)			Used on Type Nos. 0654, 0662, 0750,			0759, 0764, 0766,
	*27876	Gasket-Crankcase Cover (.005" Thick)			0775, 0822, 0828,			0770, 0777, 0785,
	*27877	Gasket-Crankcase Cover (.009" Thick)			0830, 0860, 0879,			0798, 0803, 0804,
13	94565	Screw-Cylinder Head (2-21/32" Long)			0883, 0896, 0906,			0833, 0839, 2124,
	Note: 93776	Stud-Cylinder Head			4001, 4002, 4004,			2148, 2149, 2224,
					4006, 4008, 4009,			2248, 2249, 2251,
					4013, 4014, 4015,			4024, 4026, 4048,
					4017, 4020, 4022,			4049.
					4024, 4025, 4035,			492471 Crankshaft
					4041, 4042, 4047,			0603, 0623, 0629,
					4048, 4049, 4070,			0632, 0633, 0637,
					4071, 4073.			0643, 0644, 0652,
			15	91084	Plug-Oil Drain			0653, 0654, 0662,
					Note: 92738 Plug-Oil Drain (Magnetic)			0665, 0666, 0668,
					93418 Plug-Oil Drain (Hex. Socket Hd.)			0692, 0733, 0735,
								0740, 0744, 0745,
								0746, 0750, 0761,
								0762, 0763, 0765,
								0772, 0774, 0776,
								0779, 0788, 0794,
			16	493292	Crankshaft			0800, 0805, 0813,
					Note: Order 94388 Key or 230978 Pin For Loose Timing Gear Retaining Device.			0815, 0819, 0823,
					398537 Crankshaft			0824, 0825, 0826,
					Used on Type Nos. 0655, 0771.			0840, 0841, 0842,
								0843, 0844, 0847,
								0850, 0851, 0855,
								0856, 0864, 0865,
								0867, 0871, 0878,

* Included in Gasket Set-
Part No. 299577.

● Included in Carburetor Overhaul Kit-
See Ref. 121.

195400 to 195499

REF. NO.	PART NO.	DESCRIPTION	REF. NO.	PART NO.	DESCRIPTION	REF. NO.	PART NO.	DESCRIPTION
		0886, 0890, 0891, 0892, 0893, 0896, 0904, 0909, 0910, 4007, 4008, 4017, 4023, 4042, 4070, 4071, 4073. 492472 Crankshaft (5/8" Long Thread) Used on Type Nos. 2137, 2237. 492473 Crankshaft Used on Type Nos. 0625, 0651, 0685, 0691, 0747, 0787, 0793, 0797, 0846, 0848, 0872, 0873, 0875, 0894, 0899, 0900, 0911. 492928 Crankshaft Used on Type No. 0799. 493043 Crankshaft Used on Type Nos. 0688, 0722, 0751, 0760, 0769, 0778, 0816, 0829, 0852, 0866, 0880, 4004, 4022. 494445 Crankshaft Used On Type Nos. 0885, 0888.			Note: 394076 Cover Assy.- Crankcase Used on Type Nos. 0638, 0639, 0748, 0857, 0858, 0869, 0870, 0889, 2238, 2239. 299175 Cover Assy.- Crankcase Used on Model 195412, 195422, 195451, 195452, 195456, 195457 Series Engines. 392818 Cover Assy.- Crankcase Used on Type Nos. 0688, 0722, 0751, 0760, 0769, 0778, 0816, 0829, 0852, 0866, 0880, 4004, 4022.	23A	391983	Flywheel and Ring Gear Assy.-Magneto For Use on Engines WITH ALTERNATOR (Includes Aluminum Ring Gear.) Note: 392028 Flywheel- Magneto For Use on Engines WITH ALTERNATOR Machined to Accept Aluminum Ring Gear (Not Included) Used on Type Nos. 0648, 0731, 0742, 0781, 0795. 392034 Flywheel and Ring Gear Assy.- Magneto For Use Only on Electric Starter Engines WITHOUT ALTERNATOR (Includes Aluminum Ring Gear.)
		17 29530 Bearing-Ball	19	295964	Bushing-Crankcase Used on Model 195412, 195422, 195451, 195452, 195456, 195457 Series Engines.	24	222698	Key-Flywheel (For Magnetron [®] Ignition)
		18 399898 Cover Assembly- Crankcase (Oil Fill on Top of Cover) Or 299178 Cover Assembly- Crankcase (Dual Oil Fill on Side of Cover Only) Used on Model 195431, 195432, 195433, 195435, 195436, 195437 Series Engines Except as Listed Under Note.	20	*391086	Seal-Oil	25	393868	Piston Assembly (Standard)
			21	66768	Plug-Oil Filler		393869	Piston Assembly (.010" O.S.)
			22	93585	Screw-Crankcase Cover Mounting		393879	Piston Assembly (.020" O.S.)
					Note: 93685 Screw- Crankcase Venting (One at Top) 230998 Connector- Vent Pipe Used on Type Nos. 0632, 0633, 0735, 0835, 0877, 0883, 0905. 93730 Stud 90366 Washer-Lock Used on Type No. 4073.		393880	Piston Assembly (.030" O.S.)
			23	298260	Flywheel-Magneto	MODEL 195400 SERIES PISTON RING SETS: Note: For Chrome Ring Set (Standard Size) Order No. 299743 .		
						26	393881	Ring Set-Piston (Standard)
							393882	Ring Set-Piston (.010" O.S.)
							393883	Ring Set-Piston (.020" O.S.)
							393884	Ring Set-Piston (.030" O.S.)

* Included in Gasket Set-
Part No. 299577.

• Included in Carburetor Overhaul Kit-
See Ref. 121.

195400 to 195499

REF. NO.	PART NO.	DESCRIPTION	REF. NO.	PART NO.	DESCRIPTION	REF. NO.	PART NO.	DESCRIPTION
27	68546	Lock-Piston Pin	50	213099	Elbow-Intake	66	399671	Clutch Assembly-Rewind Starter
28	295840	Pin Assembly-Piston-(Standard)		Note: 490050	Elbow-Intake Used on Type No. 0817.	67	394897	Housing-Rewind Starter Clutch
	295841	Pin Assembly-Piston (.005" O.S.)	50A	212488	Elbow-Intake	68	63770	Ball-Clutch
29	390401	Rod Assembly-Connecting	50B	213169	Elbow-Intake	70	298799	Ratchet-Rewind Starter Clutch
	Note:	For Connecting Rod With .020" Undersize Crankpin Bore-Order No. 390773.	51	*270684	Gasket-Carb. Mtg.	71	394506	Washer-Clutch Retainer
30	222113	Dipper-Connecting Rod	51A	270267	Gasket-Carb. Mtg.	73	221796	Screen-Rewind Starter
31	222114	Lock-Connecting Rod Screw	52	*27828	Gasket-Intake Elbow Mounting	74	94062	Screw-Hex. Hd. (Used With Rope Pulley-Ref. 325)
32	92659	Screw-Connecting Rod	53	93956	Screw-Shoulder		Note: 93758	Screw-Sem (Used When Rope Pulley-Ref. 325 is Not Used)
33	390420	Valve-Exhaust	53A	93357	Screw-Carburetor Mounting	74A	93042	Screw-Sem
	Note:	390419 Valve-Exhaust Used on Type Nos. 0820, 0824, 0833, 0839, 0849, 0851, 0889.	53B	94073	Screw-Hex. Hd.	75	224061	Washer-Spring
34	261055	Valve-Intake	54	93208	Screw-Intake Elbow Mounting	76	68238	Washer-Ratchet Sealing
35	65906	Spring-Intake Valve	55	393576	Housing-Rewind Starter	79	296179	Gear Case Assy.
36	26828	Spring-Exhaust Valve		Note:	398099 Housing-Rewind Starter Used on Type No. 0817.	80	27884	Gasket-Gear Case to Crankcase Cover
37	222475	Guard-Flywheel	56	295871	Pulley-Rewind Starter	81	220234	Lock-Gear Case Mounting Screw
	Note:	222402 Guard-Flywheel Used on Type Nos. 0648, 0731, 0742, 0781, 0795.		Note:	Includes 63" Rope; if Longer Rope is Required, Order Rope No. 66894 and Cut to Required Length.	81A	222263	Lock-Muffler Mtg. Screw
38	93777	Screw-Sem	57	490179	Spring-Rewind Starter	82	92502	Screw-Cap
	Note:	93535 Screw-Sem (2) 22963 Washer (6) Used to Mount Flywheel Guard Used on Type Nos. 0648, 0731, 0742, 0781, 0795.	58	66884	Rope-Rewind Starter (63" Long) For Use With Plastic Pulley; if Longer Rope is Needed, Order No. 66894 and Cut to Required Length.	83	291762	Shaft Assembly-Drive
40	221596	Retainer-Intake Valve	59	490653	Insert-Starter Handle	84	92617	Plug-Breather
41	292260	Rotocoil-Exhaust Valve	59A	230228	Pin-Starter Grip	85	91386	Screw-Gear Case Cover Mounting
	Note:	68293 Retainer-Exhaust Valve Used on Type Nos. 0640, 0757, 0759, 0774, 0820, 0824, 0833, 0839, 0849, 0851, 0889, 4026.	60	490652	Handle-Rewind Starter	86	296053	Cover Assembly-Gear Case
42	93630	Retainer-Exhaust Valve Rotocoil (2)	60A	66728	Grip-Starter Rope	87	391086	Seal-Oil
45	260933	Tappet-Valve		Note:	398101 Grip-Starter Rope Used on Type No. 0817.	88	27328	Gasket-Gear Case Cover
46	211689	Gear-Cam	63	260414	Spring-Ratchet	89	91488	Plug-Oil Drain
			64	230543	Adapter-Ratchet Spring	90	390323	Carburetor Assembly (Manual Choke)
			65	94128	Screw-Rewind Starter Housing Mtg.		Note:	390843 Carburetor Assembly Used on Type No. 0632.
			65A	94018	Screw-Hex. Head			397482 Carburetor Assembly Used on Type Nos. 0636, 0646, 0725, 0752, 0768, 0810, 0882.
			65B	93067	Screw-Hex. Head Sem			
			65C	94124	Screw-Round Head			

* Included in Gasket Set-Part No. 299577.

• Included in Carburetor Overhaul Kit-See Ref. 121.

195400 to 195499

REF. NO.	PART NO.	DESCRIPTION	REF. NO.	PART NO.	DESCRIPTION	REF. NO.	PART NO.	DESCRIPTION
		490140 Carburetor Assembly Used on Type No. 0817.	103	99333	Float-Carburetor			Used on Type No. 0817.
		491894 Carburetor Assembly Used on Type Nos. 0835, 0877, 0883.	103A	298514	Float-Carburetor			396700 Shaft and Lever-Choke Used on Type Nos. 0636, 0646, 0725, 0752, 0768, 0810, 0911.
		492018 Carburetor Assembly Used on Type No. 0818.	104	•230896	Pin-Float Hinge	109A	490068	Shaft and Lever-Choke
		90A 490419 Carburetor Assembly	105	•394681	Valve-Fuel Inlet	110	222712	Washer-Choke Lever
		91 399443 Body Assembly-Upper Carburetor (Used After Code Date 84100700).		Note:	394682 Valve-Fuel Inlet (Includes Brass Seat)		Note:	62899 Washer-Choke Lever Used on Type No. 0632.
		390404 Body Assy.-Upper Carburetor (Used Before Code Date 84100800).	107	399442	Body Assembly-Lower Carburetor (Used After Code Date 84100700).	111	26155	Spring-Choke Lever
		Note: 390845 Body Assy.-Upper Carburetor Used on Type No. 0632.			299170 Body Assy.-Lower Carburetor (Used Before Code Date 84100800).	112	23123	Screw-Choke Lever
		491896 Body Assy.-Upper Carburetor Used on Type Nos. 0835, 0877.		Note:	399258 Body Assy.-Lower Carburetor Used on Type No. 0817.	113	•398202	Nozzle-Carburetor (Used After Code Date 84100700).
		91A 491560 Body Assembly-Upper Carburetor			399444 Body Assy.-Lower Carburetor (Used After Code Date 84100700).		Note:	•398039 Nozzle-Carburetor (Used Before Code Date 84100800).
		93 23108 Bushing-Throttle Shaft			397680 Body Assy.-Lower Carburetor (Used Before Code Date 84100800).	113A	491520	Nozzle-Carburetor (Used After Code Date 87101800).
		94 •292681 Valve Assembly-Carburetor Idle	107A	490422	Body Assembly-Lower Carburetor		Note:	398202 Nozzle-Carburetor (Used Before Code Date 87101900).
		95 93499 Screw-Throttle and Choke Valve Mtg.	108	62872	Valve-Choke (Used After Code Date 84100700).	114	•68667	Gasket-Nozzle
		96 223370 Valve-Throttle			221835 Valve-Choke (Used Before Code Date 84100800).	116	280203	O-Ring-Fuel Valve
		97 298826 Shaft and Lever-Throttle		Note:	223727 Valve-Choke Used on Type No. 0817.	118	•99525	Valve-Needle Included:
		97A 491484 Shaft and Lever-Throttle	108A	391836	Valve-Choke			22235 Washer-Brass
		98 91920 Screw-Machine, Fil. Hd.	109	391987	Shaft and Lever-Choke	119	94152	Screw-Sem
		99 26157 Spring-Throttle Adjustment		Note:	299452 Shaft and Lever-Choke Used on Type No. 0818.		Note:	90746 Screw-Machine, Fil. Hd. (1) and
		100 212904 Stop-Throttle			391888 Shaft and Lever-Choke	121	398235	92290 Lock-Washer Used to Mount No. 221787 Strap to Carburetor on Type No. 0818.
		101 93043 Pin-Throttle Stop						Carburetor Overhaul Kit (Used After Code Date 84100700).
		102 •27918 Gasket-Carburetor Body						
		102A 270268 Gasket-Carburetor Body						

* Included in Gasket Set-Part No. 299577.

* Included in Carburetor Overhaul Kit-See Ref. 121.

195400 to 195499

REF. NO.	PART NO.	DESCRIPTION	REF. NO.	PART NO.	DESCRIPTION	REF. NO.	PART NO.	DESCRIPTION
		Note: 394693 Carburetor Overhaul Kit (Used Before Code Date 84100800).		4091,				Used on Type Nos.
121A	492024	Carburetor Overhaul Kit		394079	Tank Assy.- Fuel (6 Quart)			0623, 0624, 0633,
163	271910	Gasket-Air Cleaner Mounting			Used on Type Nos. 0638, 0639 2238, 2239.			0635, 0637, 0638,
164	398592	Pipe Assembly-Air Cleaner	181	392305	Cap-Fuel Tank			0639, 0643, 0646,
		Uses:		Note: 297866	Cap-Fuel Tank			0652, 0653, 0656,
		271265 O-Ring Seal	182	222758	Bracket-Fuel Tank			0659, 0660, 0664,
165	94289	Nut-Wing		Note: 222829	Bracket-Fuel Tank (6 Quart)			0668, 0673, 0677,
166	392105	Stud-Air Cleaner			Used on Type Nos.			0690, 0723, 0724,
167	65978	Seal-Air Cleaner Stud			0623, 0624, 0633,			0740, 0744, 0748,
180	290816	Tank Assembly-Fuel (4 Quart)			0635, 0637, 0638,			0752, 0754, 0758,
		Note: 291488 Tank Assy.- Fuel (6 Quart)			0639, 0643, 0646,			0763, 0765, 0786,
		Used on Type Nos.			0652, 0653, 0656,			0790, 0797, 0798,
		0623, 0624, 0633,			0659, 0660, 0664,			0802, 0809, 0812,
		0635, 0637, 0638,			0668, 0673, 0677,			0818, 0823, 0827,
		0639, 0643, 0646,			0690, 0723, 0724,			0831, 0832, 0834,
		0652, 0653, 0656,			0740, 0744, 0748,			0842, 0843, 0847,
		0659, 0660, 0664,			0752, 0754, 0758,			0851, 0875, 0879,
		0668, 0673, 0677,			0763, 0765, 0786,			0883, 0887, 0892,
		0690, 0723, 0724,			0790, 0797, 0798,			0898, 0905, 0906,
		0740, 0744, 0748,			0802, 0809, 0812,			2124, 2125, 2134,
		0752, 0754, 0758,			0818, 0823, 0827,			2135, 2136, 2137,
		0763, 0765, 0786,			0831, 0832, 0834,			2147, 2148, 2149,
		0790, 0797, 0798,			0842, 0843, 0847,			2170, 2224, 2225,
		0802, 0809, 0812,			0851, 0875, 0879,			2235, 2237, 2238,
		0818, 0823, 0827,			0883, 0887, 0892,			2239, 2241, 2242,
		0831, 0832, 0834,			0898, 0905, 0906,			2243, 2245, 2247,
		0842, 0843, 0847,			2124, 2125, 2134,			2248, 2249, 2250,
		0851, 0879, 0883,			2135, 2136, 2137,			2251, 2270, 2271,
		0887, 0892, 0898,			2147, 2148, 2149,			4001, 4006, 4015,
		0905, 0906, 2124,			2170, 2224, 2225,	184	91257	Screw-Machine, Fil. Hd.
		2125, 2134, 2135,			2235, 2237, 2238,	185	90970	Nut-Square
		2136, 2137, 2147,			2239, 2241, 2242,	186	67218	Connector-Fuel Pipe
		2148, 2149, 2170,			2243, 2245, 2247,	186A	280727	Connector-Primer Hose
		2224, 2225, 2235,			2248, 2249, 2250,			
		2237, 2241, 2242,			2251, 2270, 2271,	187	299146	Pipe-Fuel (Flexible) 28" Long (Cut to Suit)
		2243, 2245, 2247,			4001, 4006, 4015,			Note: 296004 Pipe-Fuel (Flexible) 23" Long (Cut to Suit)
		2248, 2249, 2250,			4016, 4017, 4020,	188	93535	Screw-Sem
		2251, 2270, 2271,			4024, 4025, 4035,	189	90366	Lockwasher
		4001, 4006, 4015,			4041, 4042, 4047,	198	2f3934	Valve-Fuel Shut-Off
		4016, 4017, 4020,			4048, 4049, 4070,	199	399949	Outlet-Fuel Tank
		4024, 4025, 4035,			4071, 4073, 4090,			
		4041, 4042, 4047,			4091.			
		4048, 4049, 4070,	183	291367	Strap Fuel Tank			
		4071, 4073, 4090,		Note: 291490	Strap Assy.- Fuel Tank (6 Quart)			
		4091.						

* Included in Gasket Set-Part No. 299577.

• Included in Carburetor Overhaul Kit-See Ref. 121.

195400 to 195499

REF. NO.	PART NO.	DESCRIPTION	REF. NO.	PART NO.	DESCRIPTION	REF. NO.	PART NO.	DESCRIPTION		
199A	297563	Outlet-Fuel Tank			0780, 0782, 0783,			4009.		
200	221760	Guide-Air			0784, 0785, 0786,			399156 Plate-Governor		
201	260872	Link-Governor			0790, 0793, 0797,			Control		
	Note:	260478 Spring-Governor Link			0798, 0799, 0801,			Used on Type No. 0817.		
		Used on Type Nos. 0623, 0629, 0632, 0633, 0637, 0643, 0644, 0652, 0653, 0654, 0662, 0665, 0666, 0668, 0692, 0733, 0735, 0740, 0744, 0745, 0746, 0750, 0761, 0762, 0763, 0765, 0772, 0774, 0776, 0788, 0794, 0800, 0805, 0812, 0815, 0823, 0824, 0826, 0840, 0841, 0842, 0843, 0844, 0847, 0850, 0851, 0855, 0856, 0864, 0865, 0867, 0871, 0878, 0890, 0891, 0892, 0893, 0896, 0904, 0909, 0910, 2170, 2242, 2270, 2271, 4007, 4008, 4017, 4023, 4042, 4070, 4071, 4073.			0802, 0807, 0810, 0811, 0812, 0814, 0818, 0822, 0828, 0829, 0830, 0831, 0832, 0834, 0838, 0852, 0860, 0875, 0879, 0883, 0887, 0898, 0900, 0905, 0906, 0908, 4002, 4004, 4006, 4009, 4013, 4014, 4015, 4016, 4020, 4024, 4025, 4026, 4035, 4041, 4047, 4048, 4049, 4090, 4091.			490386 Plate-Governor Control		
					261194 Spring-Governor			Used on Type Nos. 0779, 0819, 0825, 0864, 0865, 0886.		
					Used on Type Nos. 0647, 0660, 0670, 0691, 0721, 0729, 0758, 0778, 0787, 0796, 0806, 0816, 0817, 0894.	227	391965	Lever Assembly-Governor		
					261306 Spring-Governor			Note: 396775 Lever Assembly-Governor		
					Used on Type Nos. 0638, 0639, 0748, 0857, 0858, 0869, 0870, 0889, 2238, 2239.			Used on Type Nos. 0779, 0819, 0825, 0864, 0865, 0886.		
201A	262307	Link-Governor			262026 Link-Choke			230	222450	Washer-Governor Crank
	Note:	260478 Spring-Governor Link			261119 Spring-Choke Link					
		Used on Type Nos. 0779, 0819, 0825.	216	262026	Link-Choke			231	94238	Screw-Sem
206	231266	Nut-Governor Control Rod	217	261119	Spring-Choke Link			237	222379	Retainer-Muffler Guard (Used Before Code Date 88090300).
207	26855	Spring-Governor Control Rod	218	222352	Washer-Choke Link					
208	261959	Rod-Governor Control	219	494845	Gear-Governor (Used After Code Date 91060900).			240	298090	Filter-Fuel (In Fuel Pipe)
209	260695	Spring-Governor			Note: 391737 Gear-Gov. (Used Before Code Date 91061000).					Note: 394358 Filter-Fuel (In Fuel Pipe)
	Note:	261126 Spring-Gov. Used on Type Nos. 0636, 0640, 0641, 0646, 0659, 0669, 0673, 0674, 0687, 0725, 0738, 0749, 0752, 0755, 0756, 0757, 0759, 0760, 0768, 0771, 0775.	220	221551	Washer-Thrust					Used on Engines Equipped With Impulse Pump.
			222	399151	Plate-Governor Control			240A	393169	Filter Assy.-Fuel
					Note: 399150 Plate-Governor Control			241	296005	Cover Assy.-Fuel Filter
					Used on Type Nos. 0636, 0646, 0725, 0752, 0768, 0810, 0882, 0911, 4006,			242	295913	Valve and Cover-Fuel Shut-Off
								243	22547	Screen-Fuel Filter
								244	230318	Connector-Fuel Pipe
								245	+68477	Gasket-Fuel Filter Bowl
								246	298683	Bowl-Fuel Filter
								247	99665	Yoke-Fuel Filter
								265	221535	Clamp-Casing
								268	65616	Casing-Control Wire (72" Long)
										Note: If Longer Casing is Required, Specify Length in Inches; if Shorter Wire is Needed, Order No. 65616 and Cut to Required Length.
								269	26633	Wire-Control (78" Long)

* Included in Gasket Set-Part No. 299577.

• Included in Carburetor Overhaul Kit-See Ref. 121.

195400 to 195499

REF. NO.	PART NO.	DESCRIPTION	REF. NO.	PART NO.	DESCRIPTION	REF. NO.	PART NO.	DESCRIPTION
		Note: If Longer Wire is Required, Specify Length in Inches; if Shorter Wire is Needed, Order No. 26633 and Cut to Required Length.		4017, 4020, 4023, 4041, 4042, 4048.		356	398874	Wire-Ground
270	63426	Locknut-Control Wire Casing	305	93158	Screw-Sem	357	91540	Key-Pulley
271	290568	Lever Assy.-Control	305A	93559	Screw-Hex. Hd.	358	299577	Gasket Set
284	93886	Screw-Hex. Head	306	223374	Shield-Cylir der	362	291630	Shield-Spark Plug (With Stop Switch)
284A	93572	Screw-Thread Forming	307	93949	Screw-Cylir der Shield Mounting	363	19165	Puller-Flywheel
284B	94271	Screw-Air Cleaner Mtg.	308	222636	Cover-Cylir er Head	367	93380	Screw-Sem
300	393010	Muffler-Exhaust	308A	221901	Cover-Cylir Jer Head (For Sno/Gard)	373	92987	Nut-Hex.
300A	391313	Muffler-Exhaust	309		Motor-Starting (12 Volt)	383	89838	Spark Plug Wrench
300B	392101	Muffler-Exhaust			See Chart for Replacement Parts on Illustrated Pages.	387	491922	Pump-Impulse
300C	398200	Muffler-Exhaust	325	280457	Pulley-Rope Starter	387A	390765	Pump-Impulse
300D	399355	Muffler-Exhaust	332	92284	Nut		Note: 390818	Pump-Impulse Used on Type No. 0632.
302	261409	Locknut-Muffler	333	398811	Armature-Magneto		394462	For Pump Repair Kit
303	91464	Elbow-Exhaust-90° Street	334	93381	Screw-Armature Mounting	387B	399255	Primer Group
		Note: 94089 Elbow-Muffler 45° Street Used on Type Nos. 0669, 0756.	337	492167	Plug-Spark (1-7/8" High, 48 mm)	411	93448	Plug-Oil Level Hole
304	491596	Housing-Blower		Note: 29693	Plug-Spark (2" High, 51 mm)	422	223375	Bracket-Oil Filler
	Note: 399271	Housing-Blower Used on Type No. 0817.		293918	Plug-Spark (1-1/2" High) (Resistor Type)	423	93984	Screw-Sem
	491592	Housing-Blower Used on Type Nos. 0605, 0629, 0634, 0639, 0644, 0650, 0652, 0657, 0663, 0668, 0690, 0705, 0728, 0745, 0748, 0755, 0757, 0763, 0772, 0780, 0783, 0786, 0801, 0802, 0806, 0810, 0813, 0814, 0818, 0822, 0837, 0841, 0844, 0856, 0858, 0862, 0865, 0870, 0880, 0884, 0891, 0898, 0905, 0906, 0910, 2125, 2141, 2148, 2225, 2239, 2241, 2242, 2243, 2248, 4008, 4009, 4016,		298809	Plug-Spark (1-1/2" High, 38 mm)	445	393967	Cartridge-Air Cleaner
				802592	Plug-Spark (1-7/8" High) (Resistor Type)	445A	390930	Cartridge-Air Cleaner
			346	93705	Screw-Sem	445B	399968	Cartridge-Air cleaner
			347	220197	Switch-Stop	446	490430	Base Assembly Air Cleaner
			347A	298926	Switch-Stop (For 1-1/2" High, 38 mm Spark Plug)	450	93852	Washer-Bracket Mounting
				Note: 293739	Switch-Stop (For 1-7/8" High, 48 mm Spark Plug)	467	212706	Knob-Air Cleaner
			351	91920	Screw-Terminal (Fill. Hd.)	474	393474	Stator-Alternator (Dual Circuit)
				93735	Screw-Terminal (Truss Hd.)		Note: 393295	Stator-Alternator (10 Amp.) (Uses Ref. 878A)
			352	66068	Washer-Insulating	474A	391595	Stator-Alternator (A.C.)
			353	92791	Washer-Lock	478	395410	Panel-Instrument
			353A	94281	Lockwasher	482	93621	Screw-Sem
			354	90576	Nut-Hex.	501	394890	Regulator-Alternator (10 Amp.)
			354A	94314	Nut-Hex. Air Cleaner Brace Mtg.	517	295423	Pulley-Rope Starter
			355	66554	Collar-Insulating	518	69932	Rope-Starter
						520	93722	Terminal-Spade
						521	298529	Shielding-Ignition Cable
						523	396987	Cap and Dipstick-Oil Filler
						523A	390848	Cap and Dipstick-Oil Filler
						523B	29-357	Cap-Oil Filler

* Included in Gasket Set- Part No. 299577.

• Included in Carburetor Overhaul Kit- See Ref. 121.

195400 to 195499

REF. NO.	PART NO.	DESCRIPTION	REF. NO.	PART NO.	DESCRIPTION	REF. NO.	PART NO.	DESCRIPTION
	Note:	295923 Cap Assy.- Oil Filler	615	93307	Retainer-E-Ring			221940 Guard- Ring Gear
	Uses:	230553 Nipple-Oil Filler (5-1/4" Lg.)	616	231057	Crank-Governor			(Used Before Code Date 86082600).
524	+68838	Seal-Filler Tube	621	396847	Switch-Stop (Used After Code Date 85041400).			Both Guards Use:
524A	65304	Gasket-Oil Filler Cap		Note:	297472 Switch-Stop (Used Before Code Date 85041500).			93712 Screw
525	280220	Tube-Oil Filler	635	66538	Elbow-Spark Plug			93713 Washer-Lock Used on Type Nos.
525A	299284	Tube-Oil Filler	642	398462	Cover-Air Cleaner			0657, 0786, 0898, 0906, 4016.
525B	91258	Nipple-Oil Filler (2" Long)	642A	222271	Cover-Air Cleaner			
525C	394884	Adapter-Oil Filler Pipe	642B	223751	Cover-Air Cleaner			223597 Guard- Ring Gear
526	93343	Screw-Regulator	643	222272	Cup-Air Cleaner			221968 Guard-Upper Ring Gear
528	393815	Pipe-Vent	655	222598	Anchor-Spring			(Used After Code Date 86082500).
528A	399256	Hose-Primer (Short)	657	93496	Screw-Sem			221940 Guard- Ring Gear
528B	399254	Hose-Primer (Long)	662	223820	Strap-Support			(Used Before Code Date 86082600).
535	271794	Element-Air Cleaner	662A	224484	Brace-Air Cleaner			Both Guards Use:
535A	271939	Element-Air Cleaner	664	93415	Screw-Sem			93712 Screw
536	399810	Air Cleaner Assy.- (Used After Code Date 85060600).	665	298859	Oil Minder			93713 Washer-Lock Used on Type No. 0780.
536A	391063	Air Cleaner Assy.- (Used Before Code Date 85060700).	676A	393757	Deflector-Exhaust (Side Outlet)			
538	390167	Rod-Governor Control		Note:	393761 Deflector- Exhaust			
552	491893	Bushing-Gov. Crank			Used on Type Nos. 0660, 0758, 0762, 4073.	728	93535	Screw-Sem
561	92278	Nut-Hex.				729	223528	Clip-Wire
562	92613	Bolt-Governor Lever				730	299384	Stack-Carburetor
575	396691	Switch-Rotary Stop	676B	395700	Deflector-Exhaust (Direct Outlet)	731	492291	Hood-Snow
575A	299139	Switch-Starting					Note:	399159 Hood-Snow
578	392683	Wire-Starter Switch	682	211516	Shield-Clutch			Uses:
592	231082	Nut-Hex.	687	390701	Slide-Friction Control			222322 Strap-Support
601	93053	Clamp-Fuel Pipe	688	221766	Cap-Friction Spring			93730 Stud-Strap to Crankcase Cover
	Note:	93807 Clamp-Fuel Pipe (Black)	689	260847	Spring-Friction			93490 Screw-Strap to Hood
601A	94171	Clamp-Hose	690	90746	Screw-Machine, Fil. Hd.			93203 Nut-Hex. (1)
605	222934	Bracket-Regulator	725	223645	Shield-Muffler			90366 Lockwasher (2) Used on Type No. 0817.
608	390391	Starter Assembly- Rewind	725A	222175	Shield-Heat (Metal)			
	Note:	For Starter Assy. With Longer Than Standard Rope-Order No. 299640.	725B	280692	Shield-Heat (Foam)			
		397982 Starter Assembly-Rewind Used on Type No. 0817.	726	392134	Gear-Ring (Aluminum-Includes Mounting Parts)			
613	94042	Screw-Muffler Mtg.	727	395405	Cover-Starter (Includes Mounting Screws)			735 390966 Cord-Starter (Approved For Canadian use).
613A	94054	Screw-Muffler Mtg.		Note:	223597 Guard- Ring Gear			741 262479 Gear-Timing (For Loose Gear With Key).
614	93306	Pin-Cotter			(Used After Code Date 86082500).			Note: 261195 Gear-Timing (For Loose Gear With Pin).

★ Included in Gasket Set-
Part No. 299577.

● Included in Carburetor Overhaul Kit-
See Ref. 121.

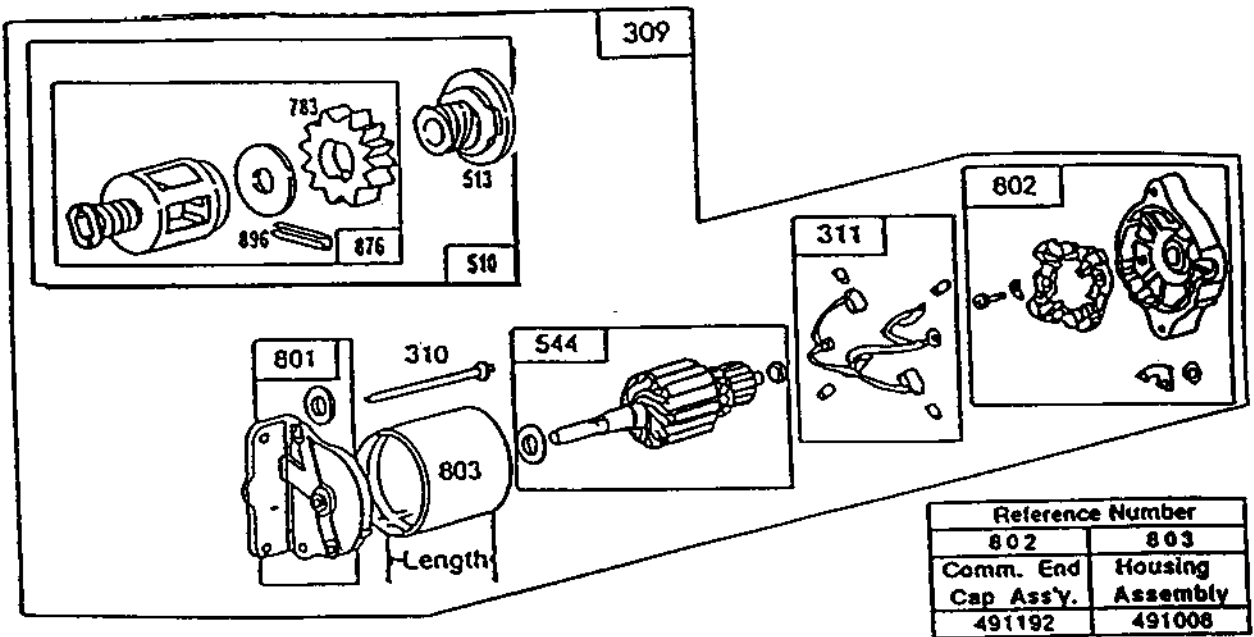
195400 to 195499

REF. NO.	PART NO.	DESCRIPTION	REF. NO.	PART NO.	DESCRIPTION	REF. NO.	PART NO.	DESCRIPTION
780	222267	Anchor-Spring Uses: 93496 Screw-Mounting		Note: 395409 Panel Kit-Starter (Key Switch)	917	223271	Valve Handle-Fuel Shut-Off	
788	224130	Bracket-Pump	841	393514	Clamp-Regulator	944	94003	Bolt
788A	222221	Bracket-Impulse Pump Mounting	842	*271170	Seal-Oil Fill Tube	945	223159	Bracket-Instrument Panel
795	392697	Switch-Ignition (Toggle) Uses: 93888 Nut-Hex. Note: 392833 Switch-Ignition (Grounded) Includes: 392832 Key Set	843	280149	Sleeve-Choke Lever	948	398661	Harness-Wire
805	231001	Locknut-Impulse Pump	847	399901	Fill Group-Oil	949	397530	Guard-Debris (For Rewind Starter)
805A	94189	Locknut-Primer	847B	493955	Fill Group-Oil	949A	280685	Guard-Debris
814	390867	Wire Assembly-Alternator (A.C.)	850	271793	Seal	949B	396581	Guard-Debris
826	397674	Wire-Panel (Starter Switch to Ground Wire Terminal)	851	221798	Terminal-Ignition Cable	954	223379	Bracket-Guard Mounting
832	398779	Guard-Muffler	861	394462	Pump Repair Kit (WALBRO)	956	490572	Tank Assembly-Fuel
832A	492337	Guard-Muffler	862	490431	Strap-Air Cleaner Mtg.	957	397975	Cap-Fuel Tank
836	93559	Screw-Sem Note: 94153 Screw-Sem (Used After Code Date 88090200). 93587 Screw-Sem (Used Before Code Date 88090300). Used To Mount Guard, Retainer and Muffler Bracket to Head. Used on Type Nos. 0675, 0767, 0792, 0720.	863	224479	Bracket-Muffler Uses: 90366 Washer-Lock Bracket Mounting and 93730 Stud in No. 1 and 2 Position.	958	396244	Outlet-Fuel Tank
836A	93606	Screw-Self Tap	864	494009	Manifold-Muffler	959	223462	Bracket-Fuel Tank (Upper)
836B	94608	Screw-Hex. Hd. (Muffler to Bracket)	869	211661	Seat-Intake Valve (Standard)	960	223463	Bracket-Fuel Tank (Lower)
840	395408	Panel Kit-Starter (Toggle Switch)	870	210940	Seat-Exhaust Valve (Standard)	961	94095	Screw-Tank Mtg.
			871	261961	Guide-Exhaust Valve Note: 231218 Guide-Intake Valve See Repair Manual.	978	*271736	Gasket-Oil Switch
			877	393456	Diode and Connector Assy. (Dual Circuit)	979	398194	Cover-OIL GARD® Hole
			877A	393814	Diode and Connector Assy. (D.C.)	980	398182	Switch-OIL GARD®
			878	393362	Alternator Harness Assy. (Dual Circuit)	981	223373	Bracket-Muffler Guard
			878A	393422	Alternator Harness	982	94139	Cover Screw-OIL GARD®
			883	*272309	Gasket-Exhaust	982A	94146	Screw-OIL GARD® Mtg.
			884	392649	Clamp-Muffler	983	398660	Light-Indicator
			887	391529	Stator Assembly-Alternator (D.C.)	984	223527	Bracket-Indicator Light
						985	398525	Insulator Assembly
						994	399541	Arrester-Spark
						1002	280738	Trim Strip-Blower Hsg.
						1004	280718	Duct-Air
						1016	490817	Spacer
						1019	491193	Label Kit

* Included in Gasket Set-Part No. 299577.

● Included in Carburetor Overhaul Kit-See Ref. 121.

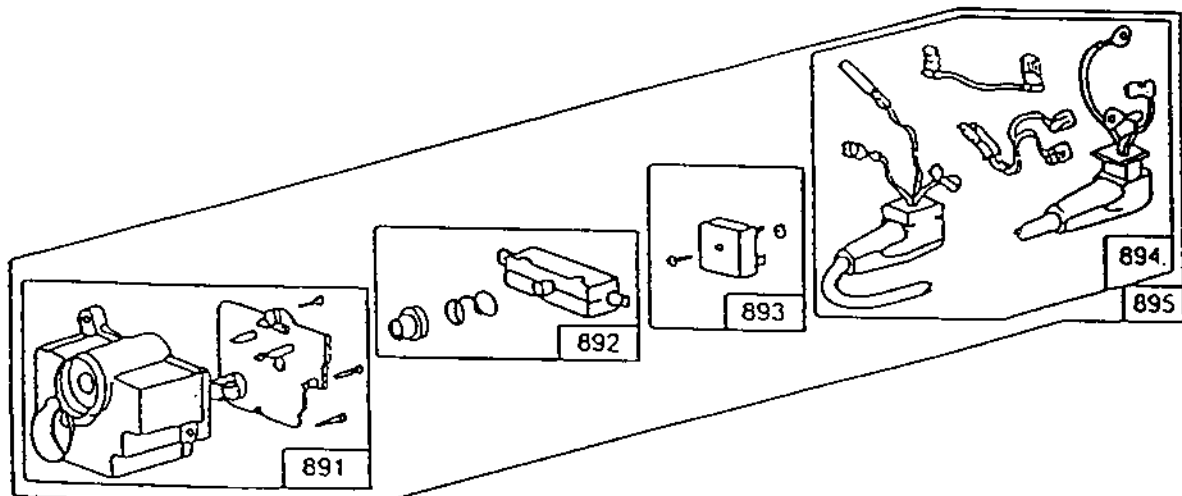




Reference Number	
802	803
Comm. End Cap Ass'y.	Housing Assembly
491192	491008

Reference Number		309 & 895	310	311	510	544	801
Manufacturer		Motor and Control Ass'y.	Thru Bolt Assembly	Brush Assembly	Drive Assembly	Armature Assembly	Drive End Cap Assembly
Briggs & Stratton	Housing Length						
120V	3-1/2	396505 (UL)	93934	393612	490421	393607	394398

*Includes #398003 Clutch Assembly (Ref. No. 513)
 #280104 Gear (Ref. No. 783)
 #490467 Retainer and Pin (Ref. No. 876)
 # 94288 Roll Pin (Ref. No. 896)



Reference Number	891	892	893	894	895
Manufacturer	Housing Group	Switch Group	Rectifier Group	Lead Group	Control Group
Briggs & Stratton					
120V	393705	393708	393707	393706	393486

