

190400 to 190499

Illustrated Parts List

Model Series

190400 to 190499

TYPE NUMBERS
2504 through 2767
2804 through 2882
2900 through 3109
3112 through 3144
3151 through 3158
3213, 3214, 3215,
3219,
4001 through 4015
4020, 4025
5130 through 5187
5501 through 5515
5535, 5537, 5541,
5547, 5549, 5551,
5570, 5572, 5580,
5583.

TO FIND

THE CORRECT NUMBER OF THE PART YOU NEED: FOLLOW THE INSTRUCTIONS BELOW

- A. Refer to Engine Model, Type and Code Number that is stamped on the blower housing of engine. Engine type numbers such as 0123 01 are listed only as 0123 in most instances. The two digits (01 or 02, etc.) to the right of the space may be required for more accurate parts identification in some instances. Select the Illustrated Parts List covering the correct Model Series and Type Number.
- B. Refer to the Illustrations and compare the original part with Illustration. The number next to the illustration is the Reference Number. Assemblies include all parts shown in frames. All parts shown in assembly frames having individual reference numbers can be purchased separately.
- C. After the Reference Number has been identified, refer to the Numerical text, where Reference and Primary Part Number are listed. **THE PRIMARY PART IS USED ON ALL TYPE NUMBERS EXCEPT THOSE TYPE NUMBERS UNDER "NOTE."**
- D. If a "Note" appears below the Primary Part Number, it means that this part differs from the Primary Part for certain types. If your Type number is listed under "Note," order the part referred to at the "Note."
- E. If your Engine Type Number does not appear after any part number listed under "Note," use the Primary Part Number.
- F. For Engine Type Numbers not covered by this book, check other Parts Lists having the same engine model or contact your source of supply.

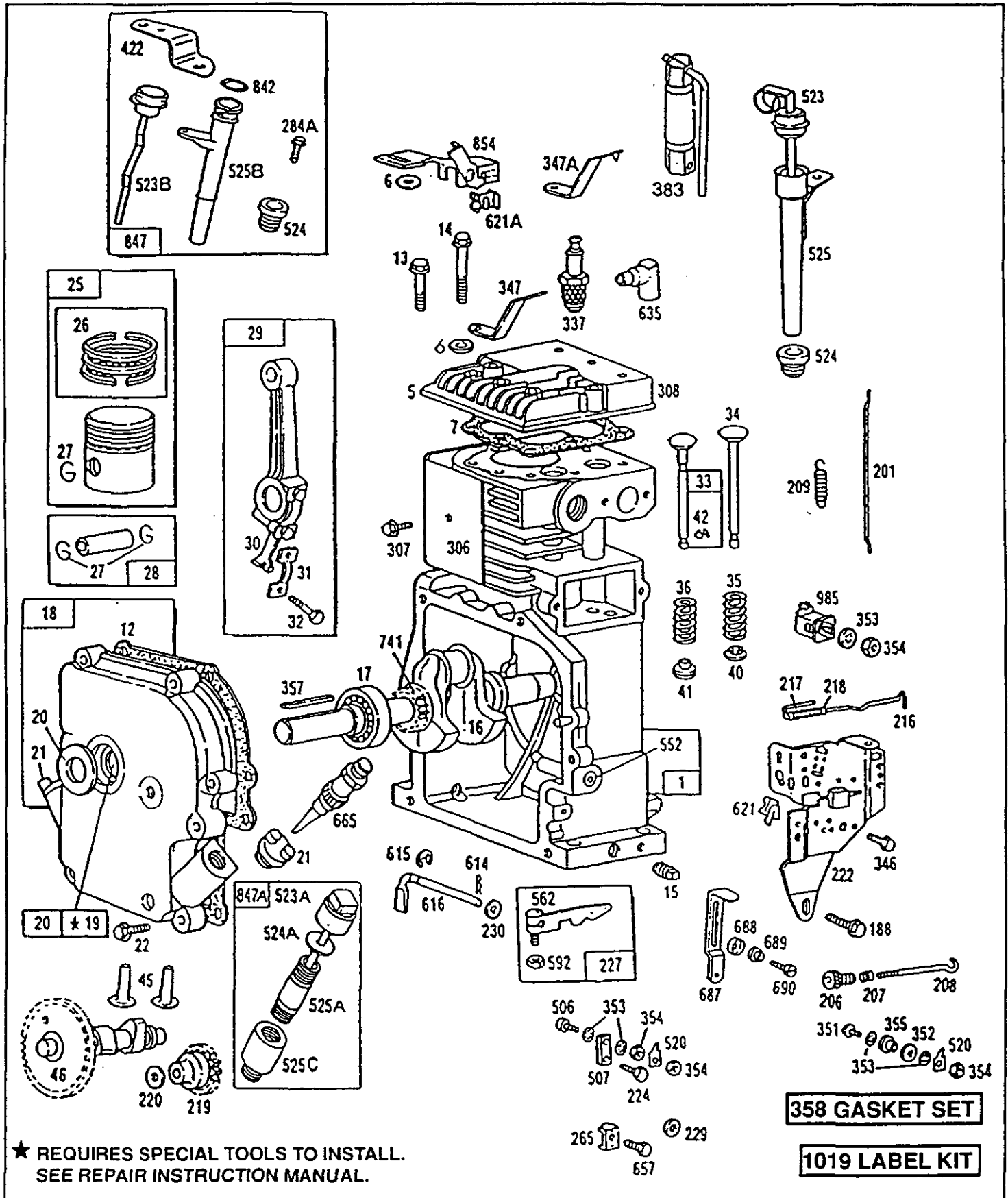
PRINTED IN U.S.A.

COPYRIGHT ©

BRIGGS & STRATTON

®

190400 to 190499

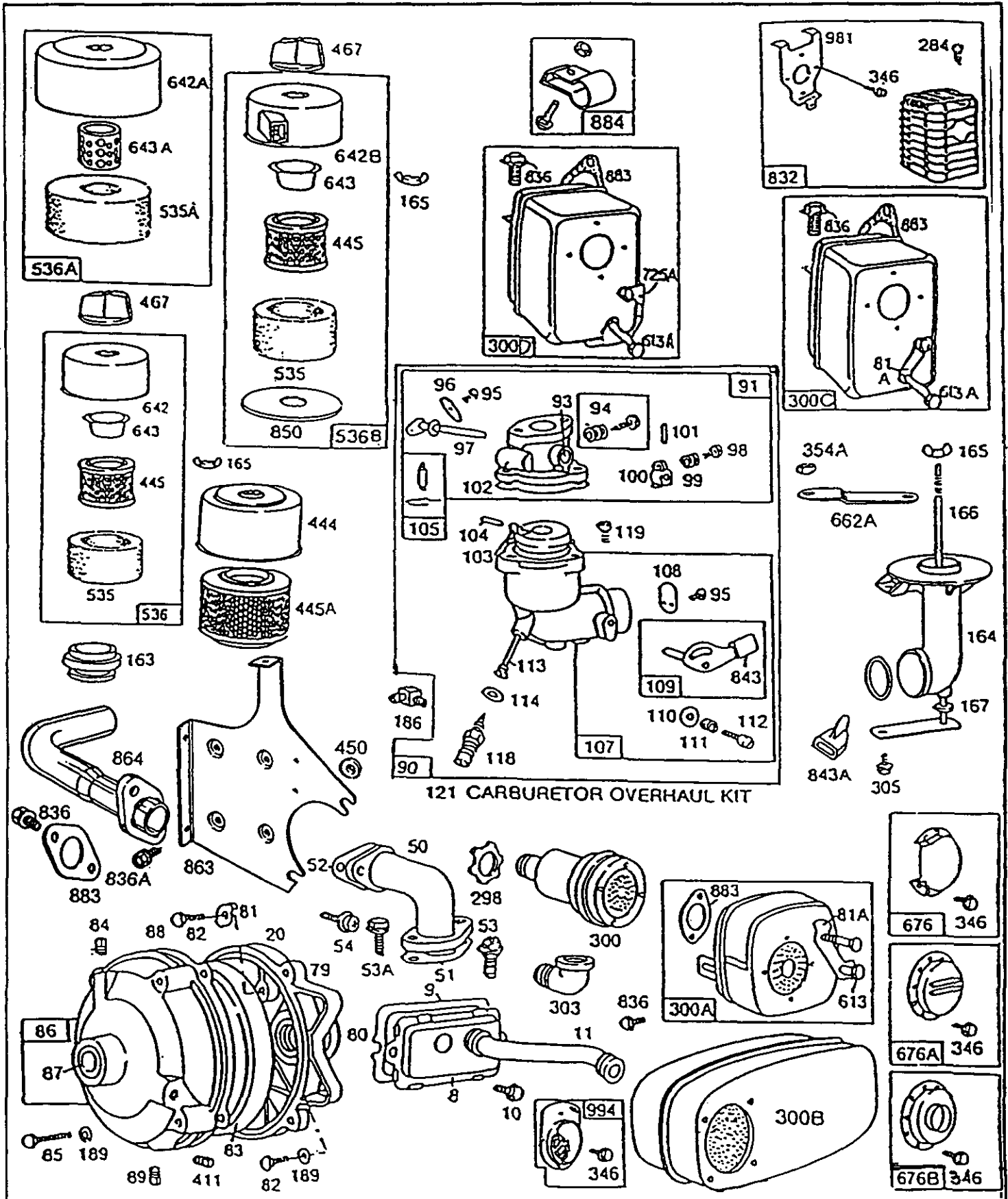


8142-2

Assemblies include all parts shown in frames.

112

190400 to 190499



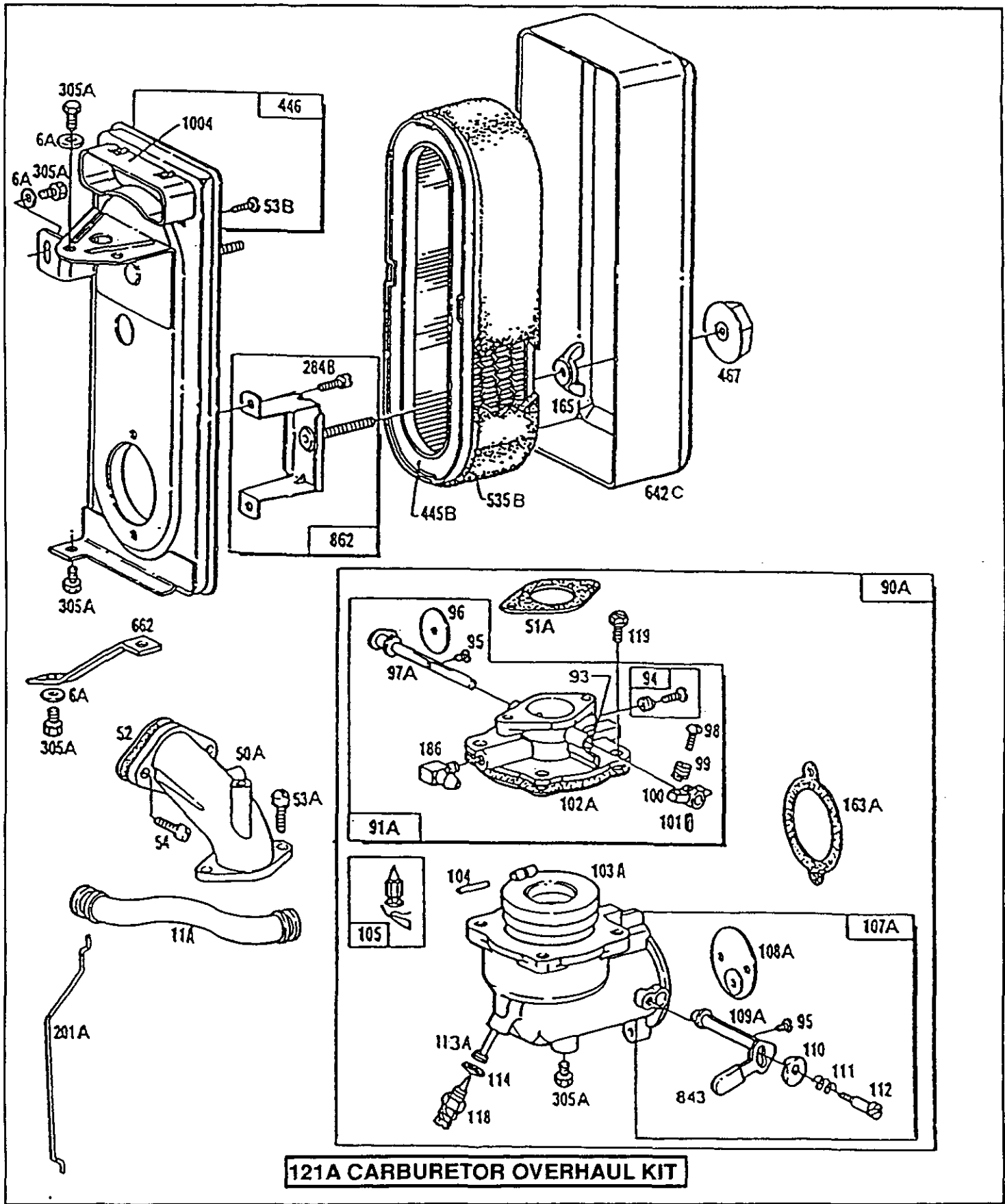
121 CARBURETOR OVERHAUL KIT

8142-3

Assemblies include all parts shown in frames.

112

190400 to 190499

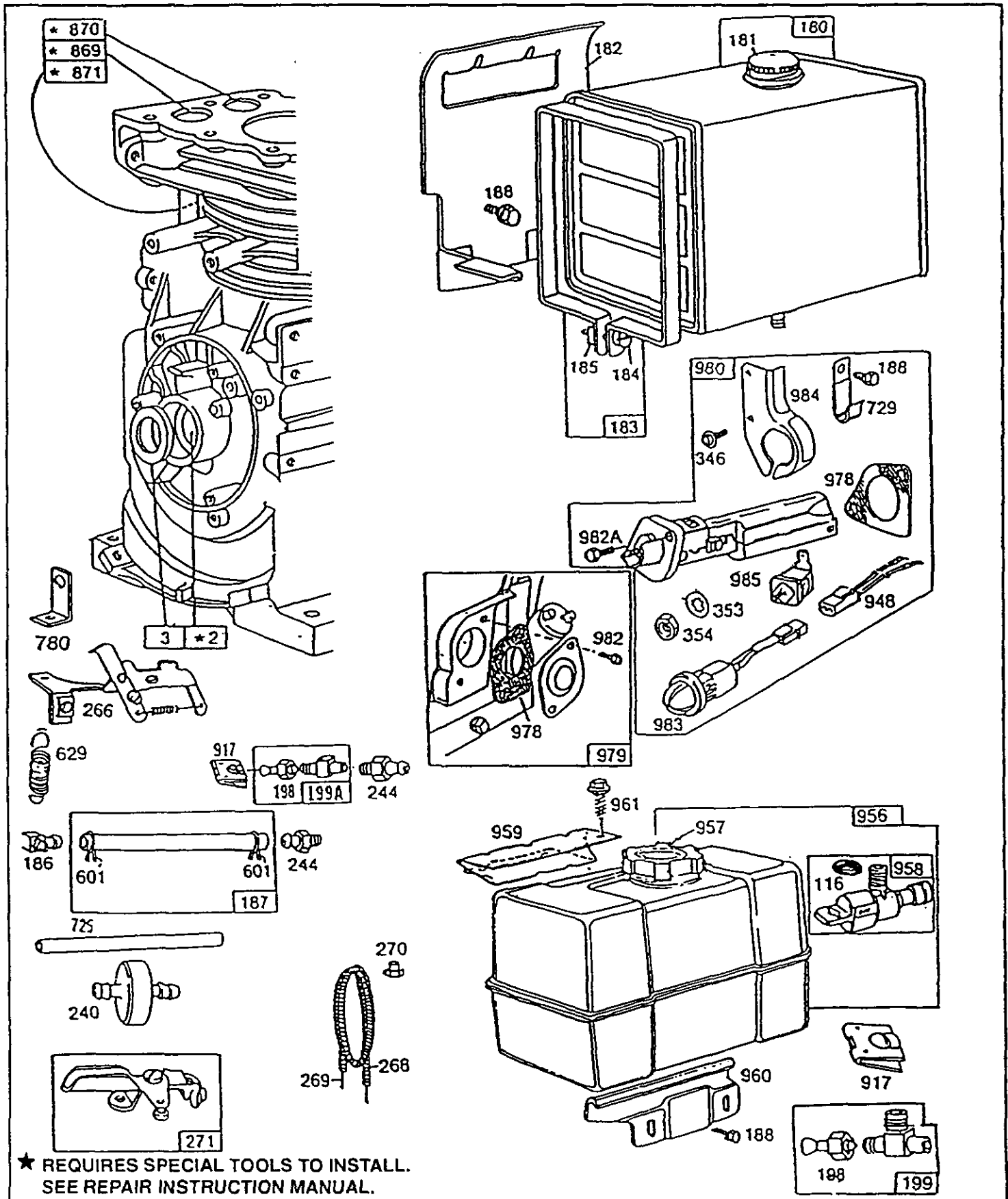


8142-4

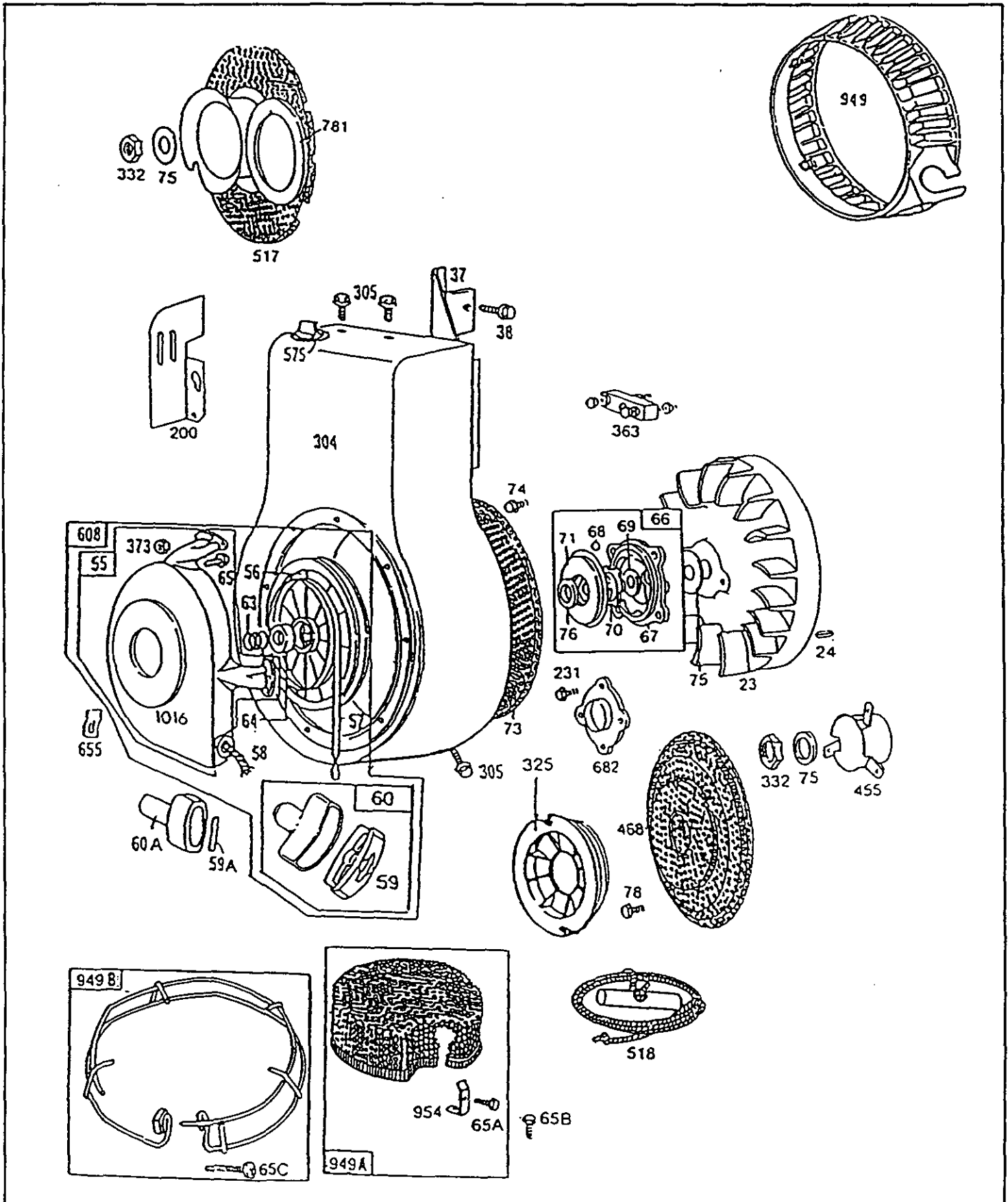
Assemblies include all parts shown in frames.

112

190400 to 190499



190400 to 190499




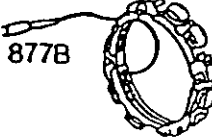
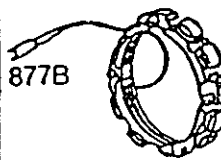
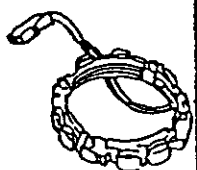

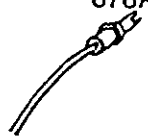

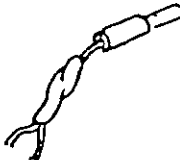



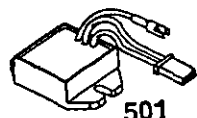


8142-6

Assemblies include all parts shown in frames.

112

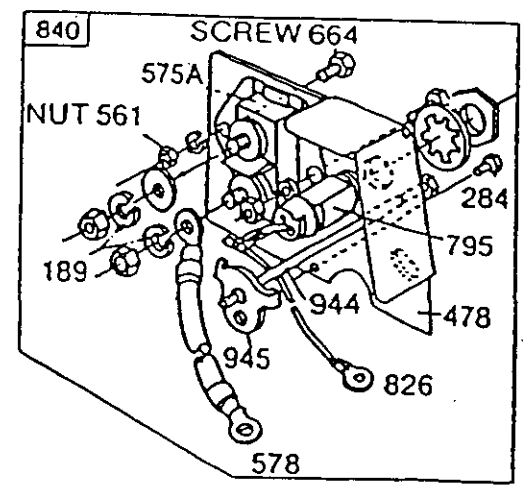
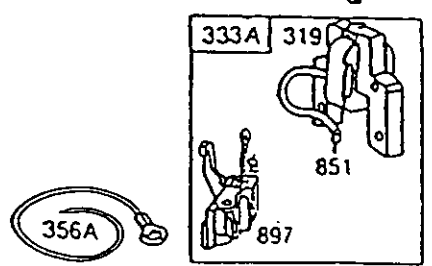
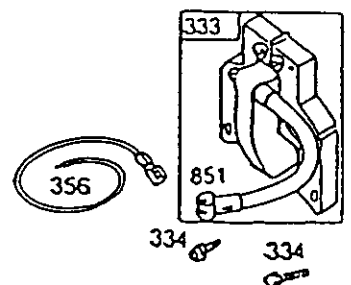
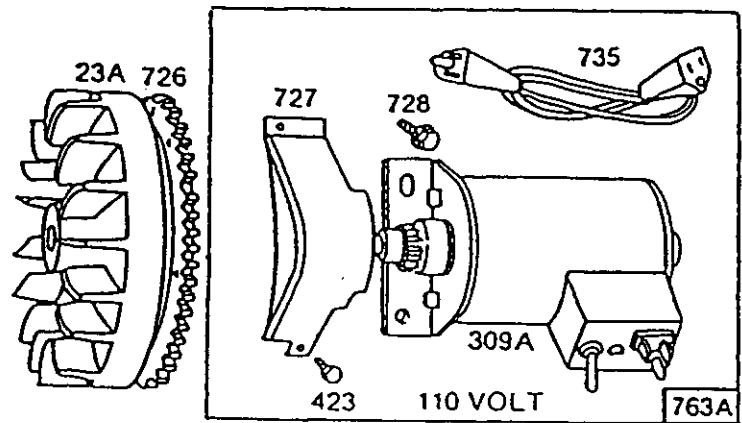
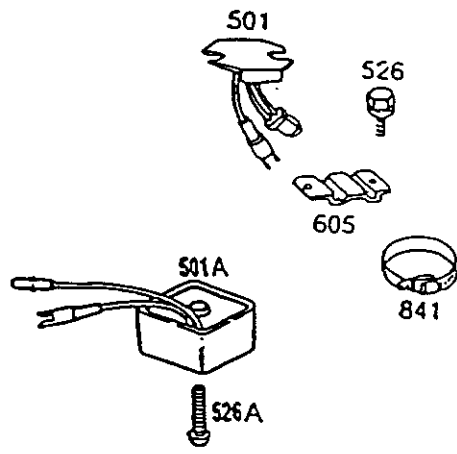
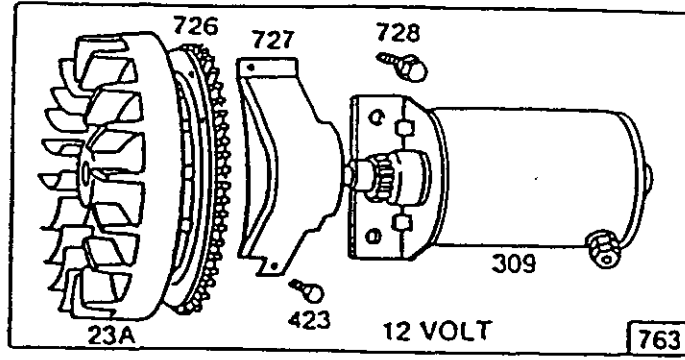
190400 to 190499

AC Only	DC Only	Dual Circuit	Tri-Circuit	5 Amp	10 Amp
23A	23A	23A	23A	23A	23A
474A 	887 	474 	474B 	474B 	Under Note 474 
814 	878A 	878 	814A 	878A 	878A 
				501A 	501 

Note: All stators use # 482 Mounting Screw.

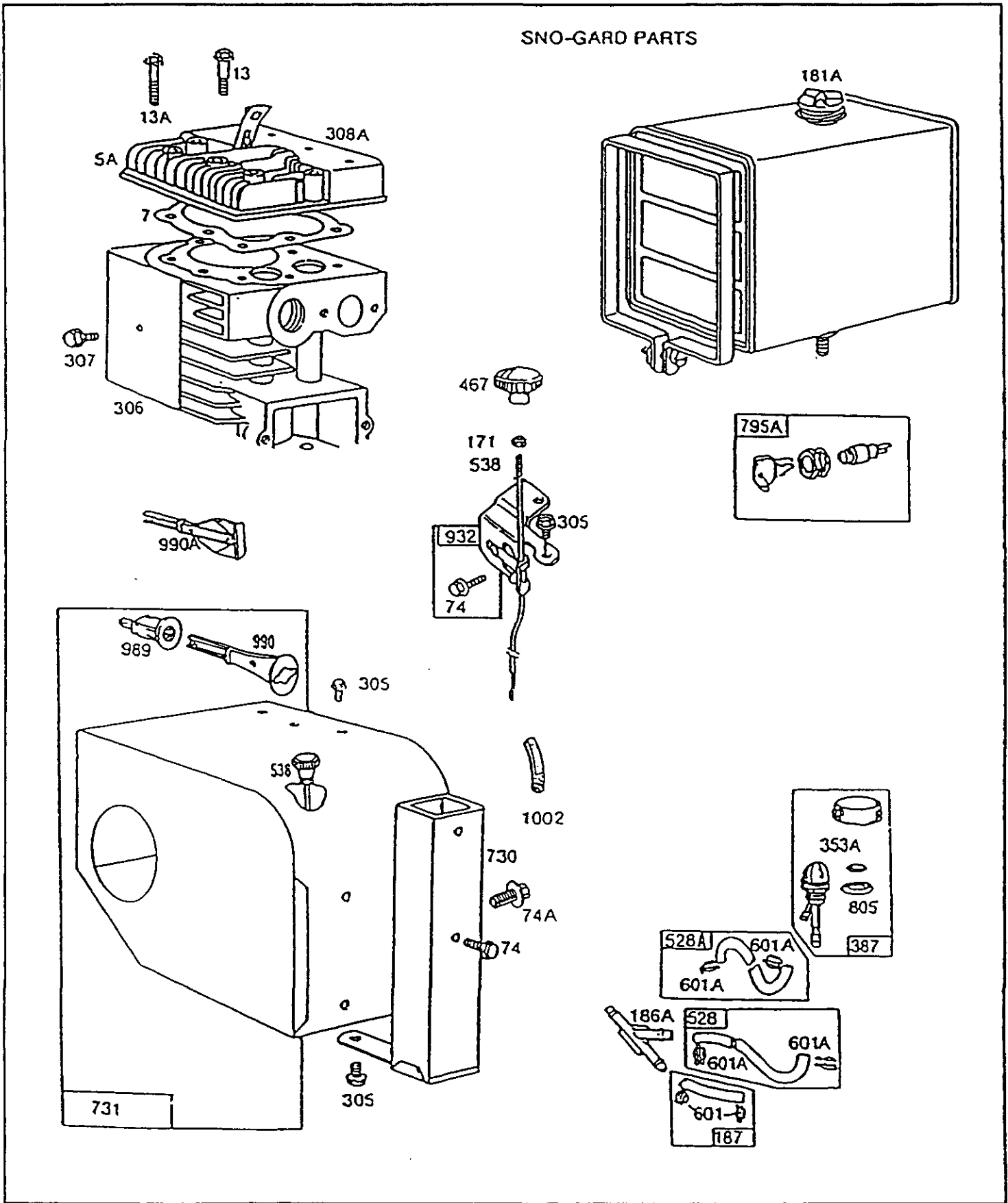


190400 to 190499



190400 to 190499

SNO-GARD PARTS

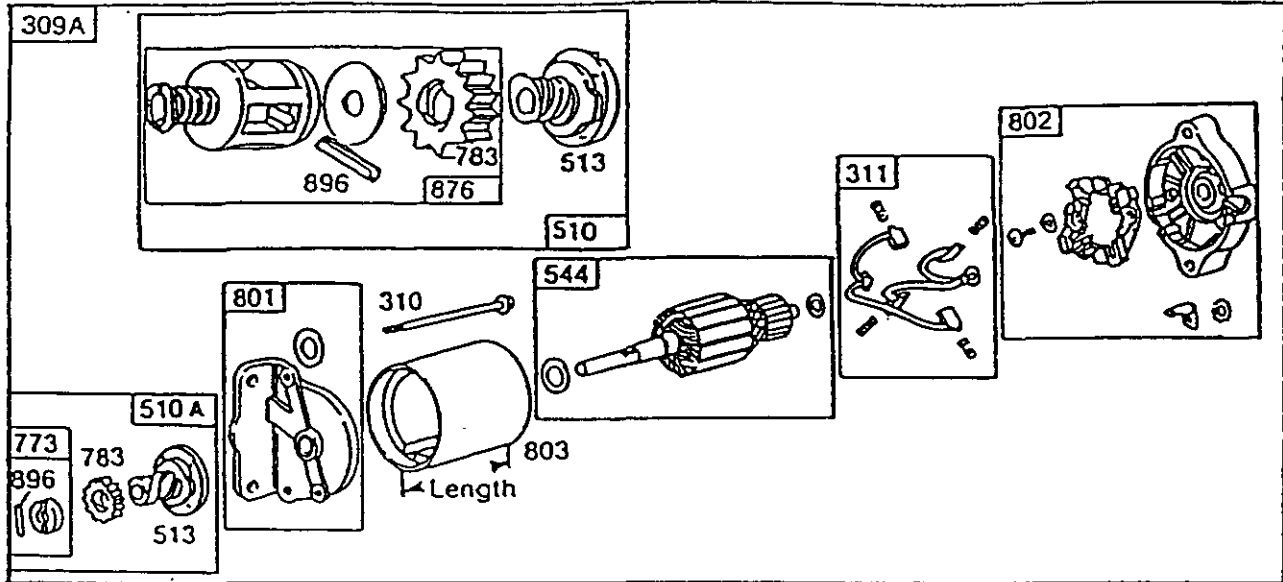


8142-9

Assemblies include all parts shown in frames.

112

190400 to 190499

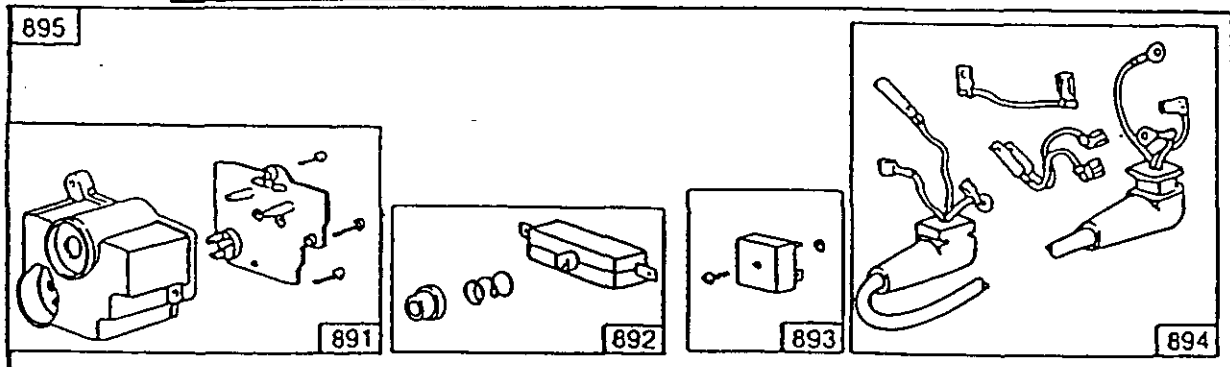


Reference Number		309 & 895	310	311	510	510A	544	801
Manufacturer		Motor and Control Ass'y.	Thru Bolt Assembly	Brush Assembly	Drive Assembly	Drive Assembly	Armature Assembly	Drive End Cap Assembly
Briggs & Stratton	Housing Length							
120V	3-1/2"	396505	93934	393612	490421*	391461**	396505	394398

*Includes #398003 Clutch Assembly (Ref. No. 513)
 #280104 Gear (Ref. No. 783)
 #490467 Retainer and Pin (Ref. No. 773)
 # 94288 Roll Pin (Ref. No. 896)

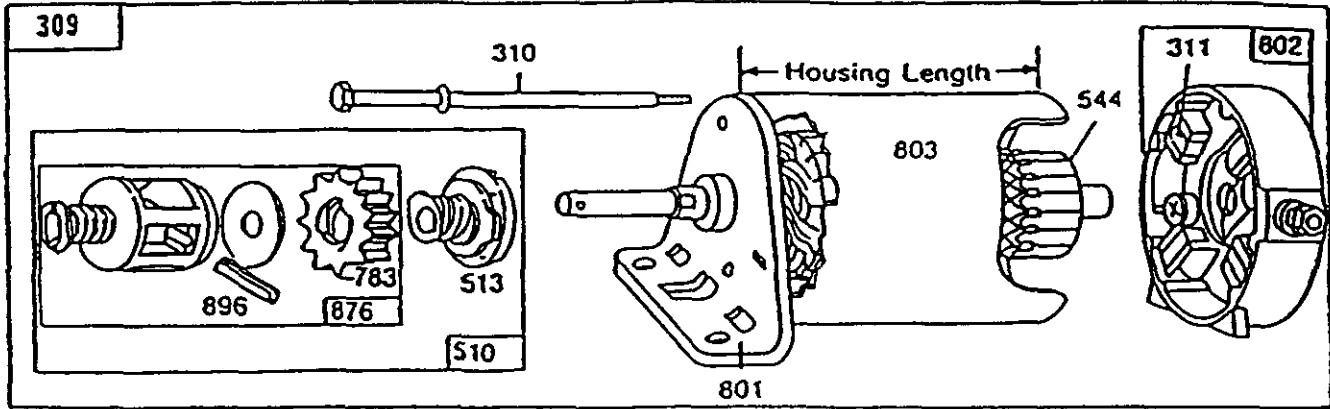
**Includes #398003 Clutch Assembly (Ref. No. 513)
 #280104 Gear (Ref. No. 783)
 #391462 Retainer and Pin (Ref. No. 876)
 # 94192 (Black) or 94288 (Yellow) Roll Pin (Ref. No. 896)

Reference Number	802	803
	Comm. End Cap Ass'y.	Housing Assembly
Code Date		
Before 87040100	393833	394254
After 87033100	491192	491008



Reference Number	891	892	893	894	895
Manufacturer	Housing Group	Switch Group	Rectifier Group	Lead Group	Control Group
Briggs & Stratton					
120V	393705	393708	393707	393706	393486

190400 to 190499



Reference No.		309	310	311	510	544	801	802	803
Starter Motor Mfr.		Motor & Drive Ass'y.	Thru Bolt	Brush Assembly	Drive Assembly	Armature Assembly	End Cap Assy. Drive	End Cap Assy. Commutator	Housing Assembly
Briggs & Stratton	Housing Length								
12V	3-21/32"	394805	94003	395538	490421**	390837	394856	395537*	398159
United Technologies	Housing Length								
12V	3-15/32"	394805	-	492020	490421**	-	394856	492021*	-

*Includes Brush Set

**Includes #398003 Clutch Assembly (Ref. No. 513)
 #280104 Gear (Ref. No. 783)
 #490467 Retainer Kit (Ref. No. 876)
 # 94192(Black) or 94288(Yellow)Roll Pin (Ref. No. 896)

190400 to 190499

REF. NO.	PART NO.	DESCRIPTION	REF. NO.	PART NO.	DESCRIPTION	REF. NO.	PART NO.	DESCRIPTION
1	396178	Cylinder Assembly	10	94621	Screw-Sem			3109, 3115, 3116,
	Note: 399556	Cylinder Assy. (For OIL GARD®) Used on Type Nos. Above 5099.	11	280267	Tube-Breather			3122, 3132, 3133,
2	295962	Bearing-Cylinder (Plain)		Note: 67068	Tube-Breather Used on Type Nos. 2504, 2580, 2581, 2582, 2645, 2685, 2688, 2701, 2748, 2882, 2936, 2941, 2971, 2992, 3105, 4006, 4007, 4008, 4009.			3139, 3140, 3143, 3144, 3152, 3153, 3156, 3157, 4001, 4002, 4004, 4005, 4010, 4011, 4015, 4020, 4025, 5137, 5172, 5173, 5180, 5181, 5182, 5184, 5185, 5186, 5187,
	Note:	Requires Special Tools For Installation.		280733	Tube-Breather Used on Type Nos. 2829, 2910, 2911, 3037, 3043, 3044, 3045, 3047, 3048, 3049, 3051, 3052, 3054, 3059, 3061, 3062, 3063, 3069, 3082, 3083, 3084, 3085, 3086, 3088, 3104, 3106, 3108, 3113, 3119, 3134, 3135, 3136, 3137, 4025, 5144, 5151, 5152, 5159, 5162, 5503.			5501, 5502, 5506, 5509, 5510, 5511, 5513, 5514, 5515, 5537, 5541, 5547, 5549, 5551, 5570, 5572, 5580, 5583.
3	*294606	Seal-Oil	11A	280716	Tube-Breather	13A	93113	Screw-Cylinder Head (2-5/16" Long) (For Sno-Gard)
5	212286	Head-Cylinder	12	*271701	Gasket-Crankcase Cover (1/64" Thick)			Note: 93583 Stud-Cylinder Head 22963 Washer Used on Type Nos. 2638, 2641, 2765, 3063, 3069. 93776 Stud-Cylinder Head 22963 Washer Used on Type No. 2721. 93776 Stud-Cylinder Head 22963 Washer Used on Type No. 5508. 93781 Stud-Cylinder Head Used on Type No. 2923.
	Note:	212918 Head-Cylinder Used on Type No. 4009.		*27876	Gasket-Crankcase Cover (.005" Thick)			93723 Screw-Cylinder Head (3" Long) (1) Note: 93776 Stud-Cylinder Head 22963 Washer Used on Type Nos. 3063, 3069.
5A	211778	Head-Cylinder (For Sno-Gard)		*27877	Gasket-Crankcase Cover (.009" Thick)			
	Note:	212918 Head-Cylinder Used on Type Nos. 2519, 2602, 2753, 2756, 2760, 2763, 2764, 2765, 2766, 2767, 2804, 2819, 2829, 2908, 2910, 2911, 2983, 2994, 2996, 3005, 3007, 3008, 3010, 3011, 3014, 3018, 3037, 3043, 3044, 3045, 3047, 3048, 3049, 3051, 3052, 3054, 3059, 3061, 3062, 3063, 3069, 3082, 3083, 3084, 3085, 3086, 3088, 3104, 3106, 3108, 3113, 3119, 3134, 3135, 3136, 3137, 5144, 5151, 5152, 5159, 5162, 5503.	13	94565	Screw-Cylinder Head (2-21/32" Long) Note: 93776 Stud-Cylinder Head 22963 Washer Used on Type Nos. 2652, 2673, 2676, 2699, 2705, 2711, 2713, 2717, 2718, 2743, 2745, 2761, 2923, 2927, 2933, 2946, 2958, 2961, 2977, 2997, 3004, 3009, 3013, 3020, 3024, 3033, 3057, 3058, 3064, 3066, 3097, 3100, 3107.			
6	22963	Washer						
6A	62199	Washer						
7	*270430	Gasket-Cylinder Hd.						
8	390321	Breather Assembly						
	Note:	294948 Breather Assy. Used on Type Nos. 2582, 2645, 2685, 2688, 2701, 2748, 2882, 2936, 2941, 2971, 2992, 3105, 4006, 4007, 4008.						
9	*27803	Gasket-Valve Cover						

* Included in Gasket Set-
Part No. 299577.

* Included in Carburetor Overhaul Kit-
See Ref 121.

Included in Carburetor Overhaul Kit-
Part No. 492024.

190400 to 190499

REF. NO.	PART NO.	DESCRIPTION	REF. NO.	PART NO.	DESCRIPTION	REF. NO.	PART NO.	DESCRIPTION
		93781 Stud-Cylinder Head		492449 Crankshaft				2940, 2950, 2965, 2972, 2996, 3020, 3021, 3033, 3048, 3068, 3085, 3097, 3107, 3127, 3128, 3139, 3140, 3152, 3213, 3215, 4009, 4013.
		22963 Washer Used on Type Nos. 3097, 3100, 3153, 4001, 4004, 4005, 4010, 4015, 4020, 4025, 5172, 5175, 5180, 5181, 5184, 5185, 5501, 5502, 5508, 5509, 5510, 5513, 5514, 5515, 5535, 5537, 5541, 5547, 5549, 5551, 5570, 5572, 5580, 5583.		Used on Type Nos. 5145, 5148, 5157, 5158, 5160, 5169, 5180, 5184, 5547, 5551, 5572.				
15	91084	Plug-Oil Drain Note: 92738 Plug-Oil Drain (Magnetic) Use One on Engines with OIL GARD®. 93418 Plug-Oil Drain (Hex. Socket) 93978 Pipe-Oil Drain 93720 Cap-Pipe Used on Type Nos. 2644, 2738, 2756, 2994, 2996, 3018, 3043, 3044, 3048, 3119.		492454 Crankshaft				492458 Crankshaft Used on Type Nos. 2535, 2541, 2617, 2633, 2635, 2636, 2637, 2642, 2650, 2654, 2658, 2659, 2666, 2669, 2671, 2673, 2683, 2685, 2691, 2700, 2702, 2707, 2709, 2718, 2719, 2726, 2727, 2729, 2735, 2744, 2748, 2766, 2835, 2841, 2903, 2913, 2923, 2925, 2930, 2936, 2956, 2960, 2964, 2969, 2977, 2990, 2995, 3002, 3003, 3007, 3008, 3016, 3017, 3037, 3051, 3052, 3055, 3062, 3066, 3078, 3080, 3084, 3090, 3095, 3096, 3100, 3103, 3106, 3108, 3112, 3121, 3122, 3142, 3219, 4011, 4012.
		261074 Crankshaft Used on Type Nos. 2536, 2836.		Used on Type Nos. 2570, 2571, 2647, 2660, 2661, 2663, 2670, 2672, 2679, 2681, 2688, 2689, 2690, 2692, 2699, 2703, 2705, 2714, 2715, 2716, 2717, 2723, 2724, 2734, 2746, 2750, 2751, 2752, 2755, 2757, 2758, 2759, 2761, 2870, 2871, 2926, 2928, 2933, 2934, 2941, 2942, 2946, 2949, 2951, 2952, 2953, 2963, 2967, 2975, 2984, 2986, 3001, 3004, 3009, 3015, 3022, 3024, 3029, 3030, 3031, 3035, 3036, 3040, 3041, 3053, 3056, 3057, 3058, 3067, 3070, 3072, 3073, 3074, 3075, 3076, 3077, 3079, 3081, 3087, 3089, 3093, 3094, 3098, 3099, 3101, 3105, 3109, 3115, 3116, 3117, 3123, 3124, 3154, 3155, 3157, 3214, 4001, 4004, 4005.				492459 Crankshaft Used on Type Nos. 2524, 2549, 2620, 2621, 2625, 2632, 2645, 2701, 2849, 2904, 2905, 2907, 2914, 2959, 2970, 2971, 2973, 2992.
16	492456	Crankshaft Note: Order 94388 Key or 230978 Pin for Loose Timing Gear Retaining Device. 261530 Crankshaft Used on Type Nos. 2547, 2572, 2613, 2631, 2665, 2667, 2680, 2696, 2698, 2847, 2872, 2902, 2924, 2929, 2931, 2944, 2980, 2982, 3019, 3025. 394392 Crankshaft Used on Type No. 5140.		492455 Crankshaft				492461 Crankshaft Used on Type Nos. 2737, 2935, 2945, 3034. 492466 Crankshaft Used on Type Nos. 2747, 2920, 3028.
				Used on Type No. 2537.				
				492457 Crankshaft				
				Used on Type Nos. 2504, 2518, 2630, 2644, 2646, 2678, 2682, 2687, 2722, 2732, 2738, 2756, 2762, 2804, 2939.				
* Included in Gasket Set- Part No. 299577.			● Included in Carburetor Overhaul Kit- See Ref 121.			Included in Carburetor Overhaul Kit- Part No. 492024.		

190400 to 190499

REF. NO.	PART NO.	DESCRIPTION	REF. NO.	PART NO.	DESCRIPTION	REF. NO.	PART NO.	DESCRIPTION
	492470	Crankshaft Used on Type No. 5549.	18	392818	Cover Assembly- Crankcase Used on Model 190401, 190402, 190403, 190406, 190407 Series Engines, Except as Listed Under Note.		3115, 3116, 3118, 3123, 3124, 3129, 3131, 3143, 3154, 3155, 3156, 3157, 3214, 4001, 4004, 4005.	
	492471	Crankshaft Used on Type Nos. 3153, 5130, 5131, 5133, 5135, 5136, 5137, 5138, 5139, 5141, 5142, 5143, 5146, 5149, 5150, 5153, 5154, 5155, 5156, 5158, 5163, 5165, 5166, 5171, 5172, 5173, 5174, 5177, 5178, 5179, 5181, 5182, 5185, 5186, 5501, 5502, 5504, 5506, 5508, 5509, 5510, 5511, 5513, 5514, 5515, 5570, 5583.		Note: 397688	Cover Assy.- Crankcase Used on Type Nos. 2721, 2760, 2763, 2983, 2994, 3005, 3006, 3018, 3043, 3044, 3045, 3061, 3082.		391280	Cover Assembly- Crankcase Used on Model 190492, 190493, 190496, 190497 Series Engines.
	492473	Crankshaft Used on Type No. 5162.		299178	Cover Assembly- Crankcase Used on Model 190431, 190432, 190435, 190436, 190437 Series Engines, Except as Listed Under Note.	19	295964	Bushing-Crankcase Cover Note: Requires Special Tools For Installation.
	492474	Crankshaft Used on Type Nos. 2674, 2694, 3026, 3039, 3094.		Note: 399898	Cover Assy.- Crankcase Used on Type Nos. 3051, 3052, 3142, 3219, 5151, 5152, 5159, 5160, 5503.	20	*391086	Seal-Oil Note: 294160 Seal-Oil Use on the Auxiliary P.T.O. Shaft on Model 190492, 190493, 190496, 190497 Series Engines.
	492475	Crankshaft Used on Type Nos. 2721, 2760, 2763, 2983, 3005, 3045, 3082.		299175	Cover Assembly- Crankcase Used on Model 190412, 190415, 190416, 190417, 190451, 190452, 190457 Series Engines, Except as Listed Under Note.	21	66768	Plug-Oil Fill
	493292	Crankshaft Used on Type Nos. 5134, 5144, 5147, 5151, 5152, 5159, 5175, 5183, 5187, 5503, 5535, 5537, 5541, 5580.		Note: 392676	Cover Assy.- Crankcase Used on Type Nos. 2672, 2688, 2689, 2694, 2699, 2705, 2717, 2747, 2750, 2761, 2920, 2933, 2934, 2941, 2946, 3004, 3009, 3024, 3028, 3029, 3030, 3036, 3053, 3056, 3057, 3058, 3076, 3077, 3093, 3094, 3098, 3099, 3105.	22	93585	Screw-Crankcase Cover Mounting Sem Note: 93685 Screw- Crankcase Venting (One at Top) 230998 Connector- Vent Pipe (Impulse Pump) Used on Type No. 2689. 93730 Stud-Crankcase Cover 90366 Lockwasher Used on Type Nos. 2638, 2639, 2640, 2641, 2664, 2740, 2742, 2765, 2962, 3014, 3047, 3060.
	493453	Crankshaft Used on Type Nos. 3118, 3129, 3143.				23	298260	Flywheel-Magneto
	494542	Crankshaft Used on Type Nos. 3118, 3129, 3131.				23A	391983	Flywheel and Ring Gear Assy.-Magneto For Use on Engines WITH ALTERNATOR. (Includes Aluminum Ring Gear.)
17	29530	Bearing-Ball						

* Included in Gasket Set-
Part No. 299577.

• Included in Carburetor Overhaul Kit-
See Ref 121.

◦ Included in Carburetor Overhaul Kit-
Part No. 492024.

190400 to 190499

REF. NO.	PART NO.	DESCRIPTION	REF. NO.	PART NO.	DESCRIPTION	REF. NO.	PART NO.	DESCRIPTION
	Note:	392028 Flywheel-Magneto For Use on Engines WITH ALTERNATOR Used on Type No. 2735.	32	92659	Screw-Connecting Rod	50	212488	Elbow-Intake
		392034 Flywheel and Ring Gear Assy.-Magneto For Use Only on Electric Starter Engines WITHOUT ALTERNATOR (Includes Aluminum Ring Gear.)	33	390419	Valve-Exhaust		Note:	212478 Elbow-Intake Used on Type Nos. 2517, 2518, 2519, 2582, 2601, 2602, 2630, 2633, 2634, 2635, 2636, 2637, 2638, 2639, 2640, 2641, 2642, 2644, 2645, 2646, 2656, 2657, 2685, 2688, 2701, 2720, 2721, 2725, 2726, 2731, 2738, 2740, 2742, 2748, 2753, 2756, 2760, 2763, 2764, 2765, 2766, 2767, 2819, 2882, 2908, 2936, 2941, 2971, 2983, 2992, 2994, 2996, 2999, 3005, 3007, 3008, 3010, 3011, 3014, 3018, 3105, 4006, 4007, 4008.
24	222698	Key-Flywheel		Note:	390420 Valve-Exhaust Used on Type Nos. 2570, 2571, 2636, 2637, 2650, 2660, 2673, 2680, 2692, 2694, 2704, 2715, 2733, 2746, 2752, 2762, 2766, 2870, 2871, 2924, 2925, 2953, 2963, 2975, 2986, 3001, 3007, 3008, 3013, 3040, 3051, 3052, 3085, 3089, 5133, 5135, 5150, 5151, 5152, 5155, 5159, 5501, 5502, 5503, 5508, 5510, 5513, 5515, 5583.			490050 Elbow-Intake Used on Type Nos. 2829, 2910, 2911, 3037, 3043, 3044, 3045, 3047, 3048, 3049, 3051, 3052, 3054, 3059, 3061, 3062, 3063, 3069, 3082, 3083, 3084, 3085, 3086, 3088, 3104, 3106, 3108, 3113, 3119, 3134, 3135, 3136, 3137, 5144, 5151, 5152, 5159, 5162, 5503.
25	391673	Piston Assembly (Standard)	34	261055	Valve-Intake	50A	213169	Elbow-Intake
	391674	Piston Assembly (.010" O.S.)	35	65906	Spring-Intake Valve	51	*270684	Gasket-Carb. Mtg.
	391675	Piston Assembly (.020" O.S.)	36	26828	Spring-Exhaust Valve	51A	270267	Gasket-Carb. Mtg.
	391676	Piston Assembly (.030" O.S.)	37	222475	Guard-Flywheel	52	*27828	Gasket-Intake Elbow Mounting
		PISTON RING SETS:		Note:	222402 Guard-Flywheel Used on Type Nos. 2726, 2735.	53	93956	Screw-Shoulder
		Note: For Chrome Ring Set (Standard Size) Order No. 299743 .	38	93777	Screw-Sem	53A	93357	Screw-Carburetor Mounting Sem
26	391669	Ring Set-Piston (Standard)		Note:	93535 Screw-Sem (2) 22963 Washer (6) Used to Mount Flywheel Guard. Used on Type Nos. 2726, 2735.	53B	94073	Screw-Hex. Hd.
	391670	Ring Set-Piston (.010" O.S.)	40	221596	Retainer-Intake Valve	54	93208	Screw-Intake Elbow
	391671	Ring Set-Piston (.020" O.S.)	41	292260	Rotacoil-Exhaust Valve			
	391672	Ring Set-Piston (.030" O.S.)	42	93630	Retainer-Exhaust Valve Rotacoil (2)			
27	68546	Lock-Piston Pin	45	260933	Tappet-Valve			
28	295840	Pin Assembly-Piston (Standard)	46	211689	Gear-Cam			
	295841	Pin Assembly-Piston (.005" O.S.)		Note:	211862 Gear-Cam Used on Type Nos. 2634, 2651, 2656, 2657, 2730, 2754, 2764, 2767, 3010, 3011, 3049, 3063, 3136, 3137.			
29	390401	Rod Assembly-Connecting						
		Note: For Connecting Rod With .020" Undersize Crankpin Bore-Order Part No. 390773 .						
30	222113	Dipper-Connecting Rod						
31	222114	Lock-Connecting Rod Screw						
		* Included in Gasket Set-Part No. 299577.			• Included in Carburetor Overhaul Kit-See Ref 121.			○ Included in Carburetor Overhaul Kit-Part No. 492024.

190400 to 190499

REF. NO.	PART NO.	DESCRIPTION	REF. NO.	PART NO.	DESCRIPTION	REF. NO.	PART NO.	DESCRIPTION
55	393576	Housing-Rewind Starter		2911, 2983, 2994, 2996, 2999, 3005, 3007, 3008, 3010, 3011, 3014, 3018, 3037, 3043, 3044, 3045, 3047, 3048, 3049, 3051, 3052, 3054, 3059, 3061, 3062, 3063, 3069, 3082, 3083, 3084, 3085, 3088, 3104, 3106, 3108, 3113, 3119, 3134, 3135, 3136, 3137, 5144, 5151, 5152, 5159, 5162, 5503.	78	93805	Screw-Sem	
	Note:	398099 Housing-Rewind Starter Used on Type Nos. 2519, 2602, 2720, 2721, 2753, 2756, 2760, 2763, 2764, 2765, 2766, 2767, 2819, 2829, 2908, 2910, 2911, 2983, 2994, 2996, 2999, 3005, 3007, 3008, 3010, 3011, 3014, 3018, 3037, 3043, 3044, 3045, 3047, 3048, 3049, 3051, 3052, 3054, 3059, 3061, 3062, 3063, 3069, 3082, 3083, 3084, 3085, 3088, 3104, 3106, 3108, 3113, 3119, 3134, 3135, 3136, 3137, 5144, 5151, 5152, 5159, 5162, 5503.	60A	66728	Grip-Starter Rope	84	92617	Plug-Breather
56	295871	Pulley-Rewind Starter	63	260414	Spring-Ratchet	85	91386	Screw-Gear Case Cover Mounting
	Note:	Includes 63" Rope; if Longer Rope is Required, Order Rope No. 66894 and Cut to Required Length.	64	230543	Adapter-Ratchet Spring	86	296053	Cover Assembly-Gear Case
57	490179	Spring-Rewind Starter	65	94128	Screw-Rewind Starter Housing Mounting Sem		Note:	94063 Screw-Sem Used on Type No. 4002.
58	66884	Rope-Rewind Starter (63" Long)	65A	94018	Screw-Hex. Washer Head	87	391086	Seal-Oil
		For Use With Plastic Pulley; if Longer Rope is Needed, Order No. 66894 and Cut to Required Length.	65B	93067	Screw-Hex. Hd. Sem	88	27328	Gasket-Gear Case Cover
59	490653	Insert-Starter Handle	65C	94057	Screw-Guard Retaining	89	91488	Plug-Oil Drain
59A	230228	Pin-Starter Grip	66	399671	Clutch Assembly-Rewind Starter	90	390323	Carburetor Assembly (Manual Choke)
60	490652	Handle-Rewind Starter	67	394897	Housing-Rewind Starter Clutch		Note:	390424 Carburetor Assembly Used on Type Nos. 2582, 2762, 2882, 3096, 3107, 3112, 4006, 4007, 4008. 391889 Carburetor Assembly Used on Type Nos. 2517, 2519, 2630, 2634, 2644, 2646, 2656, 2657, 2720, 2721, 2725, 2738, 2753, 2756, 2760, 2763, 2764, 2767, 2819, 2983, 2994, 2996, 2999, 3005, 3010, 3011, 3018. 397482 Carburetor Assembly (Choke-A-Matic®) Used on Type Nos. 2520, 2580, 2581, 2668, 2693, 2697,
	Note:	398101 Grip-Starter Rope Used on Type Nos. 2519, 2602, 2720, 2753, 2756, 2760, 2763, 2764, 2765, 2766, 2767, 2819, 2829, 2908, 2910,	68	63770	Ball-Clutch			
			69	66718	Washer-Thrust Starter Clutch,			
			70	298799	Ratchet-Rewind Starter Clutch			
			71	394506	Washer-Clutch Retainer			
			73	221796	Screen-Rewind Starter			
			74	93758	Screw-Sem			
				Note:	94062 Screw-Hex. Washer Head Used on Type No. 4002.			
			74A	93490	Screw-Hex. Head (Sno-Hood To Blower Housing)			
			75	224061	Washer-Spring			
			76	68238	Washer-Ratchet Sealing			

* Included in Gasket Set-Part No. 299577.

• Included in Carburetor Overhaul Kit-See Ref 121.

Included in Carburetor Overhaul Kit-Part No. 492024.

190400 to 190499

REF. NO.	PART NO.	DESCRIPTION	REF. NO.	PART NO.	DESCRIPTION	REF. NO.	PART NO.	DESCRIPTION
		2711, 2730, 2749, 2820, 2922, 2966, 2998, 3038, 3122, 3215, 4020.	104 •	230896	Pin-Float Hinge			2820, 2922, 2966, 2998, 3038, 3122, 3215, 4020.
		490140 Carburetor Assembly (Primer) Used on Type Nos. 2829, 3043, 3044, 3045, 3048, 3049, 3054, 3061, 3063, 3069, 3082, 3083, 3104, 3119, 3134, 3135, 3136, 3137.	105 •	394681	Valve-Fuel Inlet			
		491864 Carburetor Assembly (Primer) Used on Type Nos. 2910, 2911, 3037, 3047, 3051, 3052, 3059, 3062, 3084, 3085, 3086, 3088, 3106, 3108, 3113, 5144, 5151, 5152, 5159, 5162, 5503.			Note: 394682 Valve- Fuel Inlet (Includes Seat for Gravity Feed Applica- tions).			399258 Body Assy.- Lower Carburetor Used on Type Nos. 2829, 2910, 2911, 3037, 3043, 3044, 3045, 3047, 3048, 3049, 3051, 3052, 3054, 3059, 3061, 3062, 3063, 3069, 3082, 3083, 3084, 3085, 3086, 3088, 3104, 3106, 3108, 3113, 3119, 3134, 3135, 3136, 3137, 5144, 5151, 5152, 5159, 5162, 5503.
90A	490419	Carburetor Assembly	107	399442	Body Assembly- Lower Carburetor (Used After Code Date 84100700.)	107A	490422	Body Assembly- Lower Carburetor
91	399443	Body Assembly- Upper Carburetor (Used After Code Date 84100700).			299170 Body Assy.- Lower Carburetor (Used Before Code Date 84100800).	108	62872	Valve-Choke (Used After Code Date 84100700).
		Note: 390404 Body Assy.- Upper Carburetor (Used Before Code Date 84100800).			Note: 299811 Body Assy.- Lower Carburetor Used on Type Nos. 2582, 2762, 2882, 3096, 3112, 4006, 4007, 4008.			221835 Valve-Choke (Used Before Code Date 84100800).
91A	491560	Body Assembly- Upper Carburetor			391909 Body Assy.- Lower Carburetor Used on Type Nos. 2517, 2519, 2630, 2634, 2644, 2646, 2656, 2657, 2720, 2721, 2725, 2738, 2753, 2756, 2760, 2763, 2764, 2767, 2819, 2983, 2994, 2996, 2999, 3005, 3010, 3011, 3018.			Note: 223727 Valve-Choke Used on Type Nos. 2829, 2910, 2911, 3037, 3043, 3044, 3045, 3047, 3048, 3049, 3051, 3052, 3054, 3059, 3061, 3062, 3063, 3069, 3082, 3083, 3084, 3085, 3086, 3088, 3104, 3106, 3108, 3113, 3119, 3134, 3135, 3136, 3137, 5144, 5151, 5152, 5159, 5162, 5503.
93	23108	Bushing-Throttle Shaft			399444 Body Assy.- Lower Carburetor (Choke-A-Matic®) (Used After Code Date 84100700).	108A	391836	Valve-Choke
94 •	292681	Valve Assembly- Carburetor Idle			397680 Body Assy.- Lower Carburetor (Used Before Code Date 84100800).	109	391987	Shaft and Lever-Chok
95	93499	Screw-Throttle and Choke Valve Mtg. Sem			Used on Type Nos. 2520, 2580, 2581, 2668, 2693, 2697, 2711, 2730, 2749,			Note: 299452 Shaft and Lever-Choke Used on Type Nos. 2582, 2762, 2882, 3096, 3112, 4006, 4008, 4009.
96	223370	Valve-Throttle						
97	298826	Shaft and Lev.-Throttle						
97A	491484	Shaft and Lever- Throttle						
98	91920	Screw-Fil. Hd.						
99	26157	Spring-Throttle Adj.						
100	212904	Stop-Throttle						
101	93043	Pin-Throttle Stop						
102	• 27918	Gasket-Carb. Body						
102A	270268	Gasket-Carb. Body						
103	99333	Float-Carburetor						
103A	298514	Float-Carburetor						

* Included in Gasket Set-
Part No. 299577.

• Included in Carburetor Overhaul Kit-
See Ref 121.

Included in Carburetor Overhaul Kit-
Part No. 492024.

190400 to 190499

REF. NO.	PART NO.	DESCRIPTION	REF. NO.	PART NO.	DESCRIPTION	REF. NO.	PART NO.	DESCRIPTION
	391888	Shaft and Lever-Choke Used on Type Nos. 2517, 2519, 2630, 2634, 2644, 2646, 2656, 2657, 2720, 2721, 2725, 2738, 2753, 2756, 2760, 2763, 2764, 2767, 2819, 2829, 2983, 2994, 2996, 2999, 3005, 3010, 3011, 3018, 3043, 3044, 3045, 3048, 3049, 3054, 3061, 3063, 3069, 3082, 3083, 3104, 3119, 3134, 3135, 3136, 3137, 5144.	118	●○ 99525	Valve-Needle Includes: 22235 Washer-Brass 26336 Spring 65978 O-Ring 394033 Valve-Needle			Note: 295947 Stud-Air Cleaner Used on Type Nos. 2804, 2882, 2936, 2941, 2971, 2992, 3105, 4006, 4007, 4008, 4009. 390325 Stud-Air Cleaner Used on Type Nos. 2921, 2944, 2970.
	396700	Shaft and Lever (Choke-A-Matic®) (Used After Code Date 83121500).	119	94152	Screw-Hex. Hd. Sem Note: 90746 Screw-Machine, Fil. Hd. (10-32 x 5/8") (1) and 92290 Lockwasher (1). Used to Mount No. 221787 Strap to Carb. Used on Type Nos. 2582, 2882, 3096, 3112, 4006, 4007, 4008.			392105 Stud-Air Cleaner (Used After Code Date 89060200). 390325 Stud-Air Cleaner (Used Before Code Date 89060300). Used on Type No. 2985. The Following Studs are Used Below Type No. 2800.
	394509	Shaft and Lever (Choke-A-Matic®) (Used Before Code Date 83121600). Used on Type Nos. 2520, 2580, 2581, 2668, 2693, 2697, 2711, 2730, 2749, 2820, 2922, 2966, 2998, 3038, 3122, 3215, 4020.	121	398235	Carburetor Overhaul Kit (Used After Code Date 84100700). Note: 394693 Carburetor Overhaul Kit (Used Before Code Date 84100800).			390325 Stud-Air Cleaner Note: 295947 Stud-Air Cleaner Used on Type Nos. 2504, 2580, 2581, 2582, 2645, 2685, 2688, 2701, 2748. 392105 Stud-Air Cleaner Used on Type Nos. 2515, 2525, 2541, 2547, 2549, 2570, 2643, 2650, 2651, 2652, 2655, 2660, 2683, 2697, 2704, 2713, 2715, 2733, 2741, 2757, 2762.
109A	490068	Shaft-Choke	121A	492024	Carburetor Overhaul Kit			
110	222712	Washer-Choke Lever	163	27907	Gasket-Air Cleaner			
111	28155	Spring-Choke Lever	163A	271910	Gasket-Air Cleaner Mtg.			
112	23123	Screw-Choke Lever	164	398592	Pipe Assembly-Air Cleaner Uses: 271265 O-Ring Note: 298410 Pipe Assy.-Air Cleaner Used on Type Nos. 2504, 2580, 2581, 2582, 2645, 2685, 2688, 2701, 2748, 2882, 2936, 2941, 2971, 2992, 3105, 4006, 4007, 4008, 4009.	167	65978	Seal-Air Cleaner Stud
113	● 398202	Nozzle-Carburetor (Used After Code Date 84100700). Note: ●398039 Nozzle-Carb. (Used Before Code Date 84100800).				171	90356	Nut
113A	○ 491520	Nozzle-Carburetor	165	94289	Nut-Wing The Following Studs are Used Above Type No. 2799.			
114	●○ 68667	Gasket-Nozzle	166	392105	Stud-Air Cleaner			
116	280203	O-Ring-Fuel Valve						

● Included in Gasket Set-Part No. 299577.

●○ Included in Carburetor Overhaul Kit-See Ref 121.

○ Included in Carburetor Overhaul Kit-Part No. 492024.

190400 to 190499

REF. NO.	PART NO.	DESCRIPTION	REF. NO.	PART NO.	DESCRIPTION	REF. NO.	PART NO.	DESCRIPTION	
180	290816	Tank Assembly-Fuel (4 Quart) Note: 291488 Tank Assy.-Fuel (6 Quart) Used on Type Nos. 2658, 2682, 2697, 2715, 2729, 2748, 2762, 2950, 2960, 2969, 2995, 3022, 3080, 4012, 5130, 5131, 5144, 5155, 5162, 5508, 5509.			2715, 2729, 2748, 2762, 2950, 2960, 2969, 2995, 3022, 3080, 4012, 5130, 5131, 5144, 5155, 5162, 5508, 5509.			3067, 3070, 3072, 3073, 3074, 3075, 3076, 3077, 3079, 3080, 3081, 3087, 3089, 3093, 3094, 3098, 3099, 3101, 3105, 3109, 3115, 3116, 3117, 3118, 3123, 3124, 3129, 3131, 3143, 3154, 3155, 3156, 3157, 3153, 3214, 4001, 4004, 4005, 5130, 5131, 5133, 5135, 5136, 5137, 5138, 5139, 5140, 5141, 5142, 5143, 5146, 5149, 5150, 5154, 5155, 5156, 5158, 5160, 5163, 5165, 5166, 5171, 5173, 5174, 5177, 5178, 5179, 5181, 5182, 5185, 5186, 5501, 5502, 5504, 5506, 5508, 5509, 5510, 5511, 5513, 5514, 5515, 5547, 5570, 5583.	
		292945 Tank Assy-Fuel (3 Quart) 69221 Cap-Fuel Tank 295896 Outlet-Fuel Tank Used on Type No. 3152.	184	91257	Screw-Machine, Fil. Hd.				
			185	90970	Nut-Square				
			186	67218	Connector-Fuel Pipe				
			186A	280727	Connector-Fuel Pipe				
			187	296004	Pipe-Fuel (23" Long, Cut to Suit) Note: 393815 Pipe-Fuel (11-1/4" Long, Cut to Suit)				
			188	93535	Screw-Sem				
			189	90366	Washer-Lock				
			198	293934	Valve-Fuel Shut-Off				
181	392305	Cap-Fuel Tank	199	399949	Outlet-Fuel Tank				
181A	297866	Cap-Fuel Tank (For Sno-Gard)	199A	297563	Outlet-Fuel Tank				
			200	221760	Guide-Air				
182	222758	Bracket-Fuel Tank Note: 221935 Bracket-Fuel Tank Used on Type Nos. 2517, 2518, 2601, 2630, 2633, 2634, 2635, 2636, 2637, 2638, 2639, 2640, 2641, 2642, 2644, 2646, 2656, 2657, 2720, 2725, 2726, 2731, 2738, 2740, 2742, 2999.	201	260872	Link-Governor Note: 260478 Spring-Governor Link Used on Type Nos. 2570, 2571, 2647, 2660, 2661, 2663, 2670, 2672, 2674, 2679, 2681, 2688, 2689, 2690, 2692, 2694, 2699, 2703, 2705, 2714, 2715, 2716, 2717, 2723, 2733, 2734, 2746, 2747, 2751, 2752, 2755, 2757, 2758, 2759, 2761, 2762, 2870, 2871, 2920, 2926, 2928, 2933, 2934, 2941, 2942, 2946, 2949, 2951, 2952, 2953, 2963, 2967, 2975, 2984, 2986, 3001, 3004, 3009, 3015, 3022, 3024, 3026, 3028, 3029, 3030, 3031, 3035, 3036, 3039, 3040, 3041, 3053, 3056, 3057, 3058,				
		222829 Bracket-Fuel Tank (6 Quart) Used on Type Nos. 2658, 2682, 2697, 2715, 2729, 2748, 2762, 2950, 2960, 2969, 2995, 3022, 3080, 4012, 5130, 5131, 5144, 5155, 5162, 5508, 5509.							
						201A	262307	Link-Governor Note: 260478 Spring-Gov. Link Used on Type Nos. 5153, 5172.	
						206	231266	Nut-Governor Control Rod (Used After Code Date 83121500). Note: 230149 Nut-Governor Control Rod (Used Before Code Date 83121600).	
						207	26855	Spring-Governor Control Rod	
						208	261959	Rod-Governor Control (Used After Code Date 83121500). Note: 230841 Rod-Governor Control (Used Before Code Date 83121600).	
183	291367	Strap Assembly-Fuel Tank Note: 291490 Strap Assy.-Fuel Tank Used on Type Nos. 2658, 2682, 2697,							

* Included in Gasket Set-Part No. 299577.

• Included in Carburetor Overhaul Kit-See Ref 121.

Included in Carburetor Overhaul Kit-Part No. 492024.

190400 to 190499

REF. NO.	PART NO.	DESCRIPTION	REF. NO.	PART NO.	DESCRIPTION	REF. NO.	PART NO.	DESCRIPTION	
209	260695	Spring-Governor Note: 261126 Spring-Governor Used on Type Nos. 2580, 2581, 2582, 2601, 2602, 2630, 2643, 2644, 2645, 2646, 2651, 2658, 2664, 2668, 2669, 2677, 2682, 2686, 2691, 2693, 2696, 2697, 2701, 2704, 2706, 2707, 2710, 2713, 2718, 2719, 2720, 2721, 2725, 2726, 2728, 2729, 2730, 2731, 2732, 2736, 2737, 2738, 2739, 2741, 2748, 2749, 2753, 2754, 2756, 2760, 2763, 2882, 2908, 2910, 2911, 2922, 2930, 2932, 2935, 2937, 2939, 2945, 2950, 2954, 2956, 2957, 2960, 2961, 2962, 2966, 2969, 2970, 2971, 2977, 2981, 2982, 2983, 2985, 2988, 2989, 2990, 2992, 2994, 2995, 2996, 2998, 2999, 3005, 3006, 3017, 3018, 3032, 3034, 3037, 3038, 3044, 3045, 3048, 3054, 3060, 3062, 3064, 3065, 3066, 3082, 3083, 3085, 3091, 3092, 3095, 3096, 3097, 3100, 3103, 3104, 3108, 3112, 3119, 3142, 3158, 4006, 4007, 4008, 4010, 4015, 4020, 4025, 5144, 5148, 5157, 5169, 5175, 5180, 5183, 5184, 5533, 5537, 5541, 5549, 5572, 5580.			261129 Spring-Gov. Used on Type Nos. 2636, 2637, 2766, 3007, 3008, 3051, 3052, 3086, 3088, 3109, 3134, 3135, 3136, 3137, 5151, 5152, 5159, 5162, 5503. 261130 Spring-Gov. Used on Type No. 2762. 261194 Spring-Gov. Used on Type Nos. 2633, 2634, 2635, 2642, 2648, 2653, 2654, 2655, 2656, 2657, 2671, 2675, 2676, 2708, 2743, 2745, 2764, 2767, 2948, 2958, 2993, 2997, 3002, 3010, 3011, 3049, 3059, 3063, 3069, 3071, 3084, 3106, 3122, 3138, 3215, 4011, 4012.				Note: 399150 Plate-Governor Control (Choke-A-Matic®) (Used After Code Date 83121500). 390670 Plate-Governor Control (Not Illustrated) (Used Before Code Date 83121600). Used on Type Nos. 2520, 2580, 2581, 2668, 2693, 2697, 2711, 2730, 2749, 2820, 2922, 2966, 2998, 3038, 3122, 3215, 4020. 399151 Plate-Governor Control (Used After Code Date 88070500). 399156 Plate-Governor Control (Used Before Code Date 88070600). Used on Type Nos. 2829, 3043, 3044, 3045, 3048, 3049, 3061, 3063, 3069, 3082, 3083, 3104. 399156 Plate-Governor Control (Used After Code Date 83121500). 390752 Plate-Governor Control (Not Illustrated) (Used Before Code Date 83121600). Used on Type Nos. 2517, 2519, 2630, 2634, 2656, 2657, 2731, 2738, 2756, 2764, 2767, 2819, 2829, 2983, 2994, 2996, 3010, 3011, 3018, 3043, 3044,
			216	262026	Link-Choke (Used After Code Date 83121500). Note: 261122 Link-Choke (Used Before Code Date 83121600).				
			217	261119	Spring-Choke Link				
			218	222352	Washer-Choke Link				
			219	494845	Gear-Governor (Used After Code Date 91060900). Note: 391737 Gear-Governor (Used Before Code Date 91061000).				
			220	221551	Washer-Thrust				
			222	399151	Plate-Governor Control (Manual Choke) (Used After Code Date 83121500). 390670 Plate-Governor Control (Not Illustrated) (Used Before Code Date 83121600).				

* Included in Gasket Set-
Part No. 299577.

• Included in Carburetor Overhaul Kit-
See Ref 121.

○ Included in Carburetor Overhaul Kit-
Part No. 492024.

190400 to 190499

REF. NO.	PART NO.	DESCRIPTION	REF. NO.	PART NO.	DESCRIPTION	REF. NO.	PART NO.	DESCRIPTION
		3045, 3048, 3049, 3061, 3063, 3069, 3082, 3083.			Note: If Longer Wire is Required, Specify Length in Inches; if Shorter Wire is Needed, Order No. 26633 and Cut to Required Length.			94092 Elbow- Muffler 90° Used on Type Nos. 2504, 2580, 2581, 2582, 2686, 2705, 2761, 2804, 2882, 2954, 4006, 4007, 4008, 4009.
		490386 Plate-Governor Control Used on Type Nos. 5153, 5172.	270	63426	Locknut-Control Wire Casing	304	491596	Housing-Blower Note: 299412 Housing- Blower Used on Type Nos. 2601, 2633, 2726. 399271 Housing- Blower Used on Type Nos. 3134, 3135, 3136, 3137. 399272 Housing- Blower Used on Type Nos. 2518, 2602, 2635, 2637, 2638, 2639, 2640, 2641, 2642, 2731, 2742, 2765, 2766, 2908, 2910, 2911, 3007, 3008, 3014, 3037, 3051, 3052, 3059, 3062, 3084, 3086, 3088, 3106, 3108, 3113, 5159, 5162, 5503.
224	93067	Screw-Sem	271	290568	Lever Assy.-Control			
227	391965	Lever Assembly- Governor Note: 394646 Lever Assy.- Governor Used on Type Nos. 2747, 2920. 396775 Lever Assy.- Governor Used on Type Nos. 5153, 5172.	284	93572	Screw-Thread Forming			
			284A	93886	Screw-Hex. Head Sem			
			284B	94271	Screw-Air Cleaner Mtg.			
			298	261409	Locknut-Muffler			
			300	393010	Muffler-Exhaust Note: 221866 Support- Muffler Used on Type Nos. 2580, 2581, 2582, 2882, 4006, 4007, 4008.			
229	220680	Washer						
230	222450	Washer-Governor Crank	300A	391313	Muffler-Exhaust Note: 492337 Guard-Muffler Uses: 94153 Screw-Guard and Retainer Mounting (Used After Code Date 88090200). 93587 Screw-Muffler Bracket to Head (Used Before Code Date 88090300). 93606 Screw-Guard to Muffler 222379 Retainer- Guard (Used Before Code Date 88090300). Used on Type Nos. 2692, 2936, 2975, 3016, 5175, 5180, 5183, 5184.			
231	94238	Screw-Sem						
240	298090	Filter-Fuel (in Fuel Pipe)						
244	230318	Connector-Fuel Pipe						
265	221535	Clamp-Casing Note: 220680 Washer-Flat Used Between Clamp and Insulator Used on Type Nos. 2518, 2644, 2720, 2725, 2753.						
266	390802	Control-Throttle Uses: 261137 Spring-Throttle Return Note: 291460 Control- Throttle (Disc Type)						
268	65616	Casing-Control Wire (72" Long) Note: If Longer Casing is Required, Specify Length in Inches; if Shorter Wire is Needed, Order No. 65616 and Cut to Required Length.	300B	392101	Muffler-Exhaust			
			300C	398200	Muffler-Exhaust			
			300D	399355	Muffler-Exhaust			
			303	91246	Elbow-Muffler-45° Note: 94089 Elbow-Muffler Used on Type Nos. 2645, 2659, 2701, 2727, 2739, 2970, 2971, 2992, 3032.			
269	26633	Wire-Control (78" Long)						

* Included in Gasket Set-
Part No. 299577.

• Included in Carburetor Overhaul Kit-
See Ref 121.

Included in Carburetor Overhaul Kit-
Part No. 492024.

190400 to 190499

REF. NO.	PART NO.	DESCRIPTION	REF. NO.	PART NO.	DESCRIPTION	REF. NO.	PART NO.	DESCRIPTION
	3005, 3010, 3011, 3018, 3043, 3044, 3045, 3047, 3048, 3049, 3054, 3061, 3063, 3069, 3082, 3104, 3119.		319	395326	Armature Assembly (Less Trigger Coil)		3063, 3079, 3082, 3097, 3127, 3132, 3134, 3135, 3136, 3137, 3140, 3142, 3151, 3152, 3213, 3219, 5157, 5168, 5169, 5171, 5172, 5178, 5179, 5186, 5187, 5509, 5513, 5515, 5580, 5583.	
	491592 Housing- Blower Used on Type Nos. 2525, 2541, 2571, 2572, 2581, 2582, 2623, 2625, 2636, 2647, 2668, 2673, 2722, 2734, 2749, 2751, 2757, 2759, 2761, 2825, 2841, 2871, 2872, 2882, 2906, 2907, 2922, 2952, 2967, 2972, 3009, 3024, 3031, 3033, 3036, 3038, 3055, 3056, 3068, 3072, 3073, 3076, 3078, 3085, 3093, 3096, 3099, 3101, 3105, 3112, 3115, 3117, 3124, 3125, 3128, 3131, 3133, 3139, 3155, 4001, 4006, 4008, 4013, 4025, 5131, 5139, 5143, 5165, 5179, 5504, 5506, 5515, 5541, 5572.		325	280457	Pulley-Rope Starter		3151, 3152, 3213, 3219, 5157, 5168, 5169, 5171, 5172, 5178, 5179, 5186, 5187, 5509, 5513, 5515, 5580, 5583.	
305	93158	Screw-Sem	332	92284	Nut	356A	398808	Wire-Ground (Cut to Suit) All Wires Listed Are Used With Armature- Ref. 333A Only Note: 396585 Wire-Stop Switch (Cut to Suit) Used on Type No. 2704. 396947 Wire-Ground Used on Type Nos. 2721, 2756, 2760, 2763, 2764, 2765, 2767.
305A	93559	Screw-Hex. Hd. Sem	333	398811	Armature-Magneto	357	91540	Key-Pulley
306	223374	Shield-Cylinder	333A	398811	Armature Group	358	299577	Gasket Set
307	93949	Screw-Cylinder Shield Mtg. Sem	334	93381	Screw Armature Mounting Sem	363	19203	Puller-Flywheel
308	222636	Cover-Cylinder Head	337	298809	Plug-Spark (1-1/2" High, 38 mm)	373	92987	Nut-Hex.
308A	221901	Cover-Cylinder Head (For Sno-Gard)	Note:	29693	Plug-Spark (2" High, 51 mm)	383	89838	Wrench-Spark Plug
309		Motor-Starting (12 Volt) See Chart on Illustrated Pages		293918	Plug-Spark (1-1/2" High, 38 mm) (Resistor Type)	387	399255	Primer Group
309A		Motor-Starting (110 Volt) See Chart on Illustrated Pages	346	93705	Plug-Spark (2" High, 51 mm) (Resistor Type)	411	93448	Plug-Oil Lever Hole
			347	220197	Plug-Spark (2-3/8" High, 62 mm) (Resistor Type)	422	223375	Bracket-Oil Fill
			347A	298926	Plug-Spark (1-7/8" High, 48 mm)	423	94625	Screw-Sem
				Note:	Plug-Spark (1-7/8" High, 48 mm) (Resistor Type)	444	390588	Cover-Air Cleaner
			351	93735	Screw-Terminal (Truss Hd.)	445	393957	Cartridge-Air Cleaner
			Note:	91920	Screw-Terminal (Fillister Hd.)	445A	390492	Cartridge-Air Cleaner
			352	66068	Washer-Insulating	445B	399968	Cartridge-Air Cleaner
			353	92791	Washer-Lock	446	490430	Base Assembly- Air Cleaner
			353A	94281	Washer-Lock	450	93852	Washer-Bracket Mtg.
			354	90576	Nut-Hex.	455	222561	Cup-Screen Mounting
			354A	94314	Nut-Hex.	467	493903	Knob-Air Cleaner
			355	66554	Collar-Insulating	467A	231051	Knob-Control
			356	398838	Wire-Ground Note: 398874 Wire-Ground Used With Rotary Stop Switch and Used on Type Nos. 3017, 3045, 3047, 3048, 3049, 3061,			

* Included in Gasket Set-
Part No. 299577.

* Included in Carburetor Overhaul Kit-
See Ref 121.

Included in Carburetor Overhaul Kit-
Part No. 492024.

190400 to 190499

REF. NO.	PART NO.	DESCRIPTION	REF. NO.	PART NO.	DESCRIPTION	REF. NO.	PART NO.	DESCRIPTION
468	222562	Screen-Flush Rotating	520	93722	Terminal-Spade			Note: 93807 Clamp-Fuel Pipe (Black)
	Note: 222302	Screen (Stationary)	523	390969	Cap and Dipstick-Oil Fill	601A	94171	Clamp-Hose (For 1/4" O.D. Hose)
	Uses:		523A	297357	Cap-Oil Fill	605	222934	Bracket-Regulator
	231020	Spacer (4)		Note: 295923	Cap Assy.-Oil Fill	608	390391	Starter Assembly-Rewind
	93572	Screw (8)		Uses:			Note: For Starter Assy. With Longer Than Standard Rope-Order No. 299640.	
	93917	Lockwasher (4)		65304	Gasket		397982	Starter Assy.-Rewind
		Used on Type Nos. 2581, 2582, 2882, 4006, 4008.		230553	Nipple-Oil Fill (5-1/4" Lg.)			Used on Type Nos. 2519, 2602, 2720, 2753, 2756, 2760, 2763, 2764, 2765, 2766, 2767, 2819, 2829, 2908, 2911, 2983, 2994, 2996, 2999, 3005, 3007, 3008, 3010, 3011, 3014, 3018, 3043, 3044, 3045, 3047, 3048, 3049, 3051, 3052, 3054, 3061, 3062, 3063, 3069, 3082, 3083, 3084, 3086, 3088, 3104, 3106, 3108, 3113, 3119, 3134, 3135, 3136, 3137, 5144, 5151, 5152, 5159, 5162, 5503.
474	393474	Stator-Alternator	523B	396987	Cap and Dipstick-Oil Fill			
	Note: 393295	Stator-Alternator (13 Amp.) (Use Ref. 878A)	524	*68838	Seal-Fill Tube			
		Used on Type Nos. 2541, 2656, 2841, 3055, 3078, 3096, 3112, 5541.	524A	65304	Gasket-Oil Fill Cap			
474A	391595	Stator and Bracket-Alternator	525	390970	Tube-Oil Fill			
474B	392595	Stator-Alternator (Tri-Circuit)	525A	91258	Nipple-Oil Fill (2-1/2" Long)			
478	395410	Panel-Instrument		Note: 230553	Nipple-Oil Fill (5-1/4" Lg.)			
482	93621	Screw-Sem	525B	280220	Tube-Oil Fill			
501	394890	Regulator-Alternator (10 Amp.)	525C	394884	Adapter-Oil Fill			
501A	491546	Regulator-Alternator (5 Amp.)	526	93343	Screw-Regulator			
506	90200	Screw-Machine Fill. Hd.	526A	94137	Screw-Regulator			
507	66895	Insulator	528	399254	Hose-Fuel (Long)			
517	295423	Pulley-Rope Starter	528A	399256	Hose-Fuel (Short)			
	Note: 299307	Pulley-Rope Starter	535	271794	Element-Air Cleaner			
		210899 Pulley-V-Belt	535A	270093	Element-Air Cleaner			
		90931 Screw-Pulley Mounting	535B	271939	Element-Air Cleaner			
		90832 Lockwasher	536	391063	Cleaner Assy.-Air			
		93535 Screw-Pulley to V-Belt Pulley		Note: For Dual Element Air Cleaner Kit Order Part No. 393459. Used With Standard Air Cleaner Pipe Assembly.				
		Used on Type No. 2504.	536A	390400	Cleaner Assy.-Air	613	94042	Screw-Muffler Mtg. (Used After Code Date 82091400).
		299307 Pulley-Rope Starter	536B	399810	Cleaner Assy.-Air (Used After Code Date 85060600).		Note: 93704	Screw-Muffler Mounting (Used Before Code Date 82091300).
		210899 Pulley-V-Belt	538	390167	Rod-Control	613A	94054	Screw-Muffler Mtg.
		90931 Screw-Pulley Mounting	538A	262549	Rod-Control	614	93306	Cotter-Pin
		90832 Lockwasher	552	491893	Bushing-Governor Crank	615	93307	Retainer-E-Ring
		Used on Type Nos. 2804, 4009.	561	92278	Nut-Hex.	616	231057	Crank-Governor
518	69932	Rope-Starter	562	92613	Bolt-Governor Lever	621	396847	Switch-Stop (Used After Code Date 85041400).
			575	396691	Switch Assembly-Rotary		Note: 297472	Switch-Stop (Used Before Code Date 85041500).
			575A	299139	Switch-Starting			
			578	392683	Wire Assembly			
			592	231082	Nut-Hex.			
			601	93053	Clamp-Fuel Pipe (Green)			

* Included in Gasket Set-Part No. 299577.

• Included in Carburetor Overhaul Kit-See Ref 121.

• Included in Carburetor Overhaul Kit-Part No. 492024.

190400 to 190499

REF. NO.	PART NO.	DESCRIPTION	REF. NO.	PART NO.	DESCRIPTION	REF. NO.	PART NO.	DESCRIPTION
621A	297472	Switch-Stop		93713	Lockwasher (2) Used on Type Nos. 2517, 2518, 2519, 2602, 2630, 2634, 2637, 2640, 2641, 2642, 2644, 2646, 2657, 2720, 2721, 2731, 2738, 2740, 2753, 2756, 2760, 2763, 2764, 2765, 2766, 2767, 2819, 2908, 2983, 2996, 2999, 3005, 3007, 3011, 3014, 3018, 3059, 3062, 5144, 5162. 223597 Guard- Ring Gear (Used After Code Date 86082500). 221940 Guard- Ring Gear (Used Before Code Date 86082600). Both Guards Use: 221968 Guard-Upper Ring Gear 93712 Screw (2) 93713 Lockwasher (2) Used on Type Nos. 2829, 2910, 3037, 3038, 3043, 3045, 3047, 3048, 3049, 3051, 3054, 3059, 3061, 3063, 3069, 3083, 3084, 3086, 3088, 3104, 3106, 3108, 3113, 3119, 3134, 3135, 3136, 3137, 4013, 5151, 5503.		93490	Screw-Strap to Hood 93203 Nut-Hex. (1) 90366 Lockwasher (2) Used on Type Nos. 2636, 2637, 2766, 3007, 3008, 3051, 3052, 3085, 3086, 3088, 3113, 5151, 5152. 491981 Hood-Snow Uses: 222322 Strap-Support 93730 Stud-Strap to Crankcase Cover 93203 Nut-Hex. (1) 90366 Lockwasher (2) Used on Type Nos. 3106, 3108, 5159, 5162, 5503.
629	261137	Spring-Return				735	390966	Cord-Starter (Approved for Canadian Use)
635	66538	Elbow-Spark Plug				741	262479	Gear-Timing (For Loose Gear With Key) Note: 261195 Gear-Timing (For Loose Gear With Pin)
642	222271	Cover-Air Cleaner				763	394952	Starter Kit (12 Volt Gear Drive)
642A	221468	Cover-Air Cleaner				763A	396507	Electric Starter Kit (110 Volt Gear Drive) (Cannot Be Used With Alternator)
642B	398462	Cover-Air Cleaner				780	222267	Anchor-Spring Return Uses: 222268 Connector- Control Cable Used on Type Nos. 2678, 2700, 2744.
642C	223751	Cover-Air Cleaner				781	280068	Cap-Starter Pulley
643	222272	Cup-Air Cleaner				795	392697	Switch-Ignition (Toggle) Uses: 93888 Nut-Hex. Note: 392833 Switch-Ignition (Key) Uses: 392832 Key Set
643A	280001	Cup-Air Cleaner						
655	222598	Anchor-Spring						
657	93496	Screw-Sem	728	93535	Screw-Sem			
662	223820	Strap-Support	729	223528	Clip-Wire			
662A	224484	Brace-Air Cleaner	729A	280470	Clip-Wire			
664	93415	Screw-Hex. Hd.	730	299384	Stack-Carburetor			
665	298859	Oil Minder	731	492291	Hood-Snow Note: 399159 Hood-Snow Uses: 222322 Strap-Support 93730 Stud-Strap to Crankcase Cover			
676	393757	Deflector-Exhaust (Side Outlet) Note: 393761 Deflector- Exhaust Used on Type Nos. 2762, 5146, 5156, 5174, 5181, 5185, 5515.						
676A	393758	Deflector-Exhaust (Louvered)						
676B	395700	Deflector-Exhaust (Direct Outlet)						
682	211516	Shield-Starter Clutch						
687	390690	Slide-Friction Control						
688	221766	Cap-Friction Spring						
689	260847	Spring-Friction						
690	90746	Screw-Machine, Fil. Head						
725	280692	Shield-Fuel Pipe						
725A	223645	Shield-Muffler						
726	392134	Gear-Ring (Aluminum, Includes Mounting Parts)						
727	395405	Cover-Starter (Includes Mounting Screws) Note: 223597 Guard- Ring Gear (Used After Code Date 86082500). 221940 Guard- Ring Gear (Used Before Code Date 86082600). Both Guards Use: 93712 Screw (2)						

* Included in Gasket Set-
Part No. 299577.

• Included in Carburetor Overhaul Kit-
See Ref 121.

Included in Carburetor Overhaul Kit-
Part No. 492024.

190400 to 190499

REF. NO.	PART NO.	DESCRIPTION	REF. NO.	PART NO.	DESCRIPTION	REF. NO.	PART NO.	DESCRIPTION
795A	392833	Switch-Key (Sno-Gard)	877A	393814	Diode and Connector Assy. (Dual Circuit)	956	493337	Tank Assembly-Fuel
805	94189	Nut-Primer Retaining	877B	393537	Connector Assembly (Tri-Circuit)	957	493988	Cap-Fuel Tank
814	390867	Wire Assembly-Alternator	878	393362	Alternator Harness Assy. (Dual Circuit)	958	399517	Valve Assy.-Fuel Shut-Off
814A	392606	Diode and Connector Assy.-Alternator (Tri-Circuit)	878A	393422	Alternator Harness Assembly	959	223462	Bracket-Fuel Tank (Upper)
826	397674	Wire-Panel Starter	883	270918	Gasket-Exhaust	960	492990	Bracket-Fuel Tank (Lower)
832	398779	Guard Group-Muffler	Note: 272293 Gasket-Exhaust		Note: 223463 Bracket-Fuel Tank (Used Before Code Date 89040300).			
836	93559	Screw-Sem	884	392649	Clamp-Muffler	961	94095	Screw-Tank Mounting
836A	94608	Screw-Muffler Mtg.	887	391529	Stator Assembly-Alternator (D.C.)	978	*271736	Gasket-Oil Switch
840	395408	Panel Kit-Starter (Toggle Switch)	897	394970	Trigger Coil	979	398194	Cover-OIL GARD® Hole
Note: 395409 Panel Kit-Starter (Key Switch)			917	223271	Valve Handle-Fuel Shut-Off	980	398182	Switch-OIL GARD®
841	393514	Clamp-Regulator	932	396084	Guide-Control Rod	981	223373	Bracket-Muffler Guard
842	271170	Seal-Oil Fill Tube	Note: 223648 Guide-Control Rod		982	94139	Cover Screw-OIL GARD®	
843	280149	Sleeve-Choke Lever	Used on Type Nos. 2910, 2911, 3037, 3047, 3054, 3059, 3062, 3084, 3106, 3108, 5144, 5159, 5162, 5503.		982A	94146	Screw-OIL GARD® Mtg.	
843A	280147	Knob-Choke Lever (For Sno-Gard Engines)	944	94003	Bolt	983	398660	Light-Indicator
847	399901	Fill Group-Oil	945	223159	Bracket-Instrument Panel	984	223773	Bracket-Indicator Light
847A	493955	Fill Group-Oil	948	398661	Harness-Wire	985	398525	Insulator Assembly
850	271793	Seal-Base	949	280685	Guard-Finger	989	491060	Switch Assembly (Used After Code Date 86123100).
851	221798	Terminal-Ignition Cable	949A	397530	Guard-Debris (For Rewind Starter)	Note: 399668 Switch Assy. (Used Before Code Date 87010100).		
854	392884	Stop-Switch	949B	396581	Guard-Finger	990	490023	Key
861	394462	Repair Kit-Pump (Walbro)	954	223379	Bracket-Guard Mounting	990A	280596	Key
862	490431	Strap-Air Cleaner Mtg.	Uses: 94128 Screw-Hex. Hd. (Mounts Bracket to Blower Housing)		994	399541	Arrester-Spark	
863	224479	Bracket-Muffler			1002	280738	Trim Strip-Blower Housing	
864	494009	Manifold Assy.-Exhaust			1004	280718	Duct-Air	
869	211661	Seat-Intake Valve (Standard)			1016	490817	Spacer	
870	211661	Seat-Exhaust Valve (Standard)			1019	491181	Label Kit	
871	231218	Guide-Exhaust or Intake Valve						
Note: For Options, See Repair Manual.								
877	393456	Diode and Connector Assy. (Dual Circuit)						

* Included in Gasket Set-Part No. 299577.

• Included in Carburetor Overhaul Kit-See Ref 121.

• Included in Carburetor Overhaul Kit-Part No. 492024.

