

Illustrated Parts List

Model Series

190400 to 190499

TYPE NUMBERS

6001 through 6006,
6011 through 6020,
6023 through 6035,
6041 through 6060,
6070, 6072, 6083,
6102, 6103, 6104,
6110 through 6128,
6130 through 6138,
6140 through 6149,
6151 through 6159,
6160 through 6167,
6180, 6213, 6214.

TO FIND

THE CORRECT NUMBER OF THE PART YOU NEED: FOLLOW THE INSTRUCTIONS BELOW

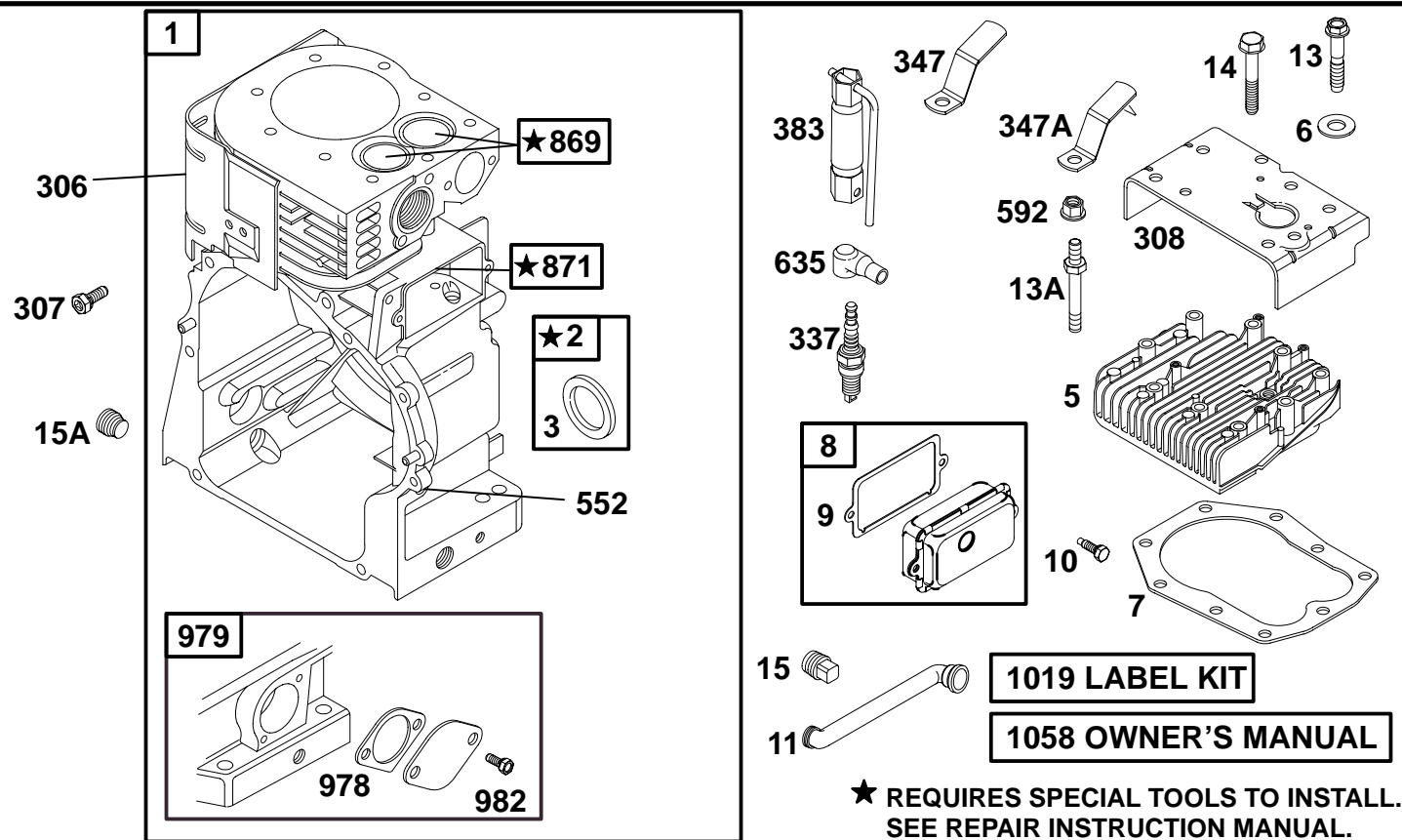
- A. Refer to Engine Model, Type and Code Number that is stamped on the blower housing of engine. Engine type numbers such as 0123 01 are listed only as 0123 in most instances. The two digits (01 or 02, etc.) to the right of the space may be required for more accurate parts identification in some instances. Select the Illustrated Parts List covering the correct Model Series and Type Number.
- B. Refer to the Illustrations and compare the original part with Illustration. The number next to the illustration is the Reference Number. Assemblies include all parts shown in frames. All parts shown in assembly frames having individual reference numbers can be purchased separately.
- C. After the Reference Number has been identified, refer to the Numerical text, where Reference and Primary Part Number are listed. **THE PRIMARY PART IS USED ON ALL TYPE NUMBERS EXCEPT THOSE TYPE NUMBERS UNDER "NOTE."**
- D. If a "Note" appears below the Primary Part Number, it means that this part differs from the Primary Part for certain types. If your Type number is listed under "Note," order the part referred to at the "Note."
- E. If your Engine Type Number does not appear after any part number listed under "Note," use the Primary Part Number.
- F. For Engine Type Numbers not covered by this book, check other Parts Lists having the same engine model or contact your source of supply.

PRINTED IN U.S.A.



COPYRIGHT by BRIGGS & STRATTON CORPORATION
All rights reserved. No part of this material may be reproduced or transmitted, in any form or by any means, electronic or mechanical, including photocopying, recording or by any information storage and retrieval system, without permission in writing from Briggs & Stratton Corporation.

190400 to 190499



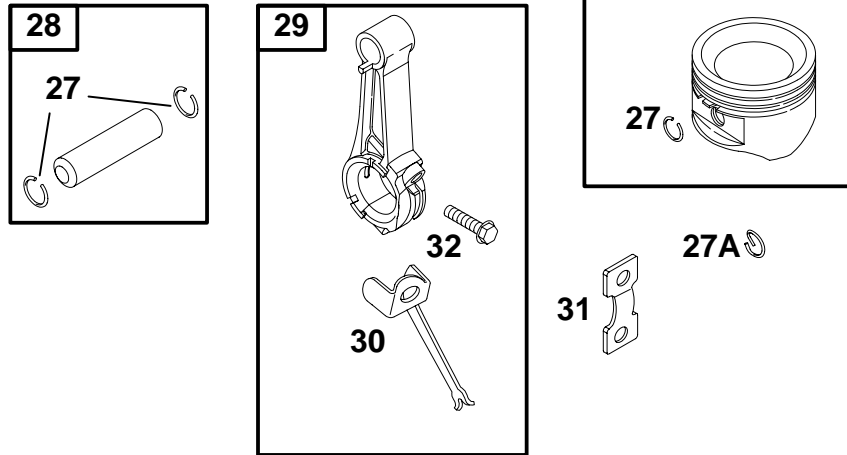
★ REQUIRES SPECIAL TOOLS TO INSTALL.
SEE REPAIR INSTRUCTION MANUAL.

REF. NO.	PART NO.	DESCRIPTION	REF. NO.	PART NO.	DESCRIPTION	REF. NO.	PART NO.	DESCRIPTION
1	495631	Cylinder Assembly	13A	94926	Stud-Hex. Drive (3 9/16" Long) (# 4 Position)	347	225171	Switch-Stop
2	495657	Bushing			Note	347A	293739	Switch-Stop
3	★391086	Seal-Oil			94776 Stud-Hex. Drive (3 15/16" Long) (# 1 Position)	383	89838	Wrench-Spark Plug
5	214015	Head-Cylinder	14	94622	Screw-Hex. (No. 1 Position)	552	491893	Bushing-Gov. Crank
		Note	15	94239	Plug-Oil Drain	592	94726	Nut-Hex.
		212918 Head-Cylinder Used on Type No(s). 6029, 6130, 6142.	15A	94880	Plug-Oil Drain	635	66538	Boot-Spark Plug
6	225137	Washer-Flat	306	496797	Shield-Cylinder	869	211661	Seat-Valve
7	★Ø272163	Gasket-Cylinder Head	307	94930	Screw-Hex.	871	261961	Bushing-Guide (Exhaust Valve)
8	495724	Breather Assembly	308	224896	Cover-Cylinder			Note
9	★Ø27803	Gasket-Breather			Note			231218 Bushing-Guide (Intake Valve)
10	94719	Screw-Hex.			221901 Cover-Cylinder Used on Type No(s). 6029, 6130, 6142.	978	★273326	Gasket-OIL GARD®
11	280267	Tube-Breather	337	492167	Plug-Spark	979	494807	Cover-OIL GARD®
		Note			Note	982	94658	Screw-Hex.
		280733 Tube-Breather Used on Type No(s). 6029, 6130, 6142.			802592 Plug-Spark (Resistor Type)	1019	491181	Label Kit
13	94565	Screw-Hex. (3 9/16" Long)				1058	270367	Owner's Manual
		Note						
		94547 Screw-Hex. Used on Type No(s). 6029, 6130, 6142.						

★ Included in Gasket Set-Part No. 299577.
● Included in Carburetor Kit-Part No. 398235.

Ø Included in Valve Overhaul Gasket Set-Part No. 498533.

190400 to 190499

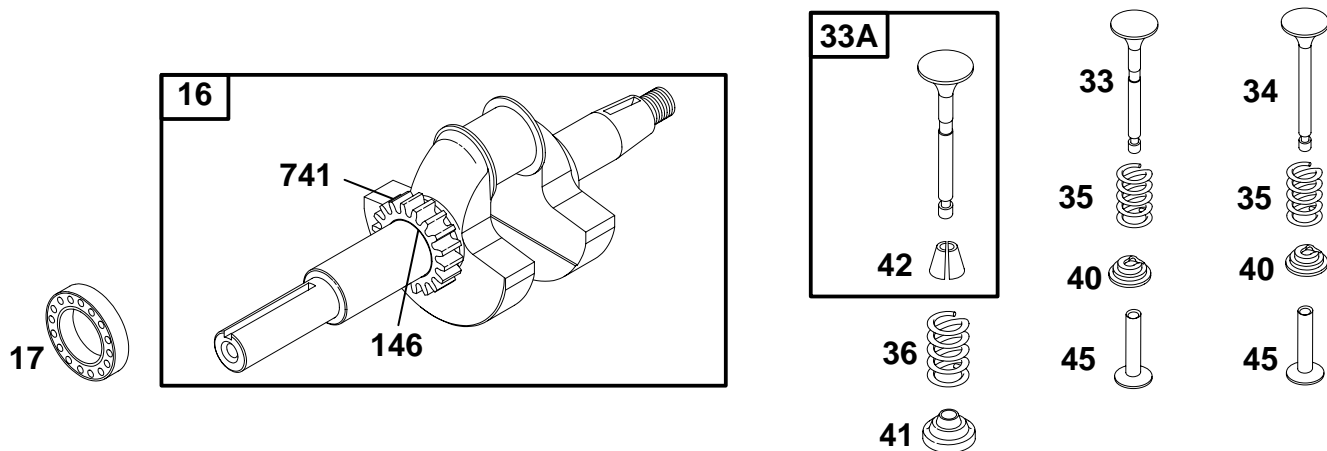


REF. NO.	PART NO.	DESCRIPTION	REF. NO.	PART NO.	DESCRIPTION	REF. NO.	PART NO.	DESCRIPTION
25	499907	Piston Assembly (Standard) Note 499908 Piston Assy. (.010" O.S.) 499909 Piston Assy. (.020" O.S.) 499910 Piston Assy. (.030" O.S.)	26	499921	Ring Set (Standard) Note 299743 Ring Set (Std., Chrome) 690018 Ring Set (.010" O.S.) 690019 Ring Set (.020" O.S.) 690020 Ring Set (.030" O.S.)	28	499302	Pin-Piston (Standard) Note 499303 Pin-Piston (.005" O.S.)
			27	263181	Lock-Piston Pin	29	390401	Rod-Connecting (Standard) Note 390773 Rod-Connecting (.020" Undersize)
			27A	68546	Lock-Piston Pin	30	222113	Dipper-Conn. Rod
						31	222114	Lock-Rod Screw
						32	94670	Screw-Connecting Rod

★ Included in Gasket Set-Part No. 299577.
● Included in Carburetor Kit-Part No. 398235.

∅ Included in Valve Overhaul Gasket Set-Part No. 498533.

190400 to 190499

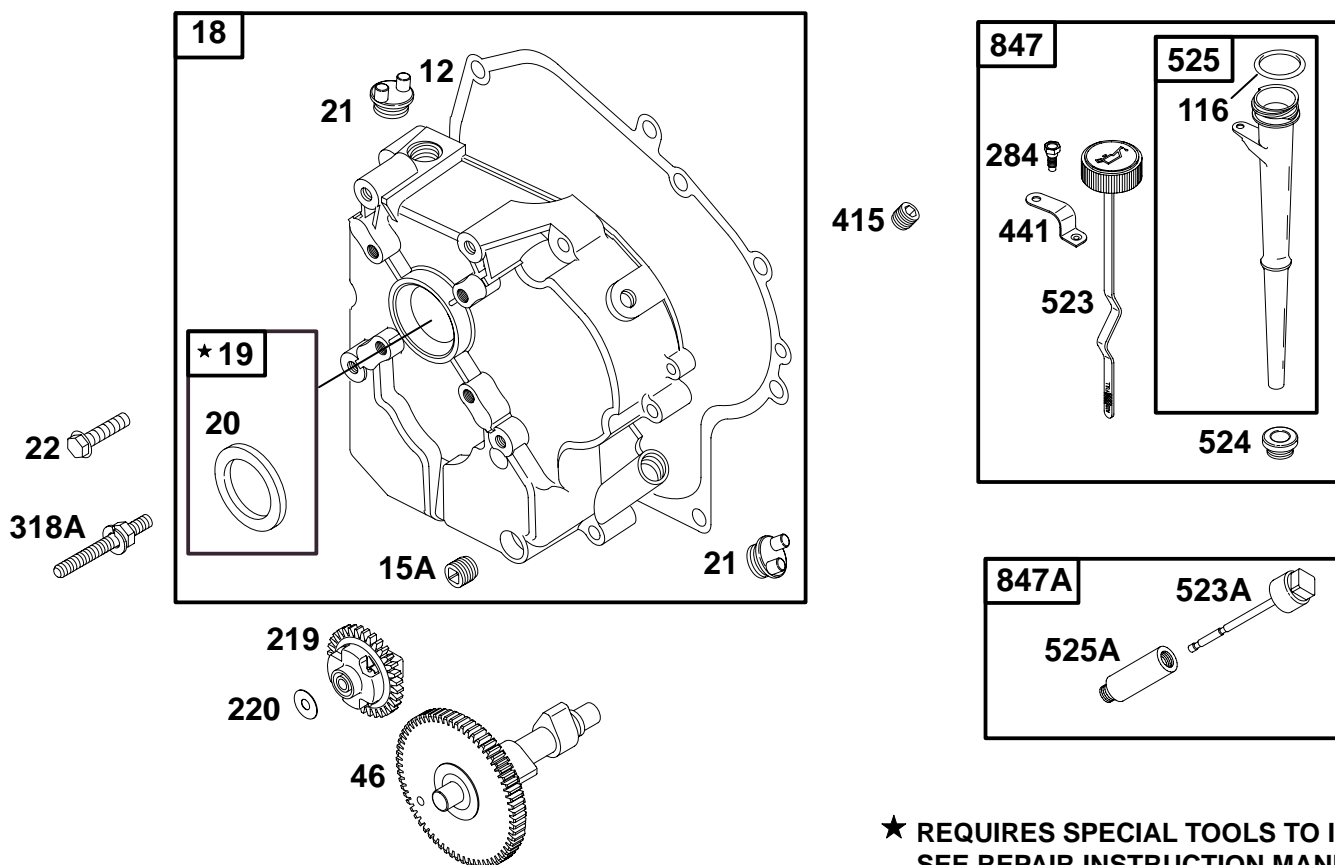


REF. NO.	PART NO.	DESCRIPTION	REF. NO.	PART NO.	DESCRIPTION	REF. NO.	PART NO.	DESCRIPTION
16	495790	Crankshaft Note 495648 Crankshaft Used on Type No(s). 6015, 6020, 6025, 6029, 6102, 6116, 6120, 6121, 6122, 6131, 6132, 6138, 6142, 6144, 6151, 6165. 495663 Crankshaft Used on Type No(s). 6049, 6104. 495789 Crankshaft Used on Type No(s). 6047, 6072, 6119, 6147, 6155. 495655 Crankshaft Used on Type No(s). 6035, 6041, 6103, 6118, 6127, 6130, 6135, 6136, 6137, 6145, 6148, 6161, 6180. 495832 Crankshaft Used on Type No(s). 6124, 6125, 6126, 6153.						
			17	29530	Bearing–Ball			
			33	263017	Valve–Exhaust (Used After Code Date 95041600).	34	261055	Valve–Intake
			33A	390419	Valve–Exhaust (Used Before Code Date 95041700).	35	65906	Spring–Valve (Intake) (Used on Exhaust After Code Date 95041600).
						36	26828	Spring–Valve (Exhaust) (Used Before Code Date 95041700).
						40	221596	Retainer–Valve (Intake) (Used on Exhaust After Code Date 95041600).
						41	292260	Retainer–Valve (Exhaust) (Used Before Code Date 95041700).
						42	494553	Keeper–Valve (Exhaust) (Used Before Code Date 95041700).
						45	260933	Tappet–Valve
						146	94388	Key–Timing
						741	263025	Gear–Timing

★ Included in Gasket Set–Part No. 299577.
● Included in Carburetor Kit–Part No. 398235.

∅ Included in Valve Overhaul Gasket Set–Part No. 498533.

190400 to 190499



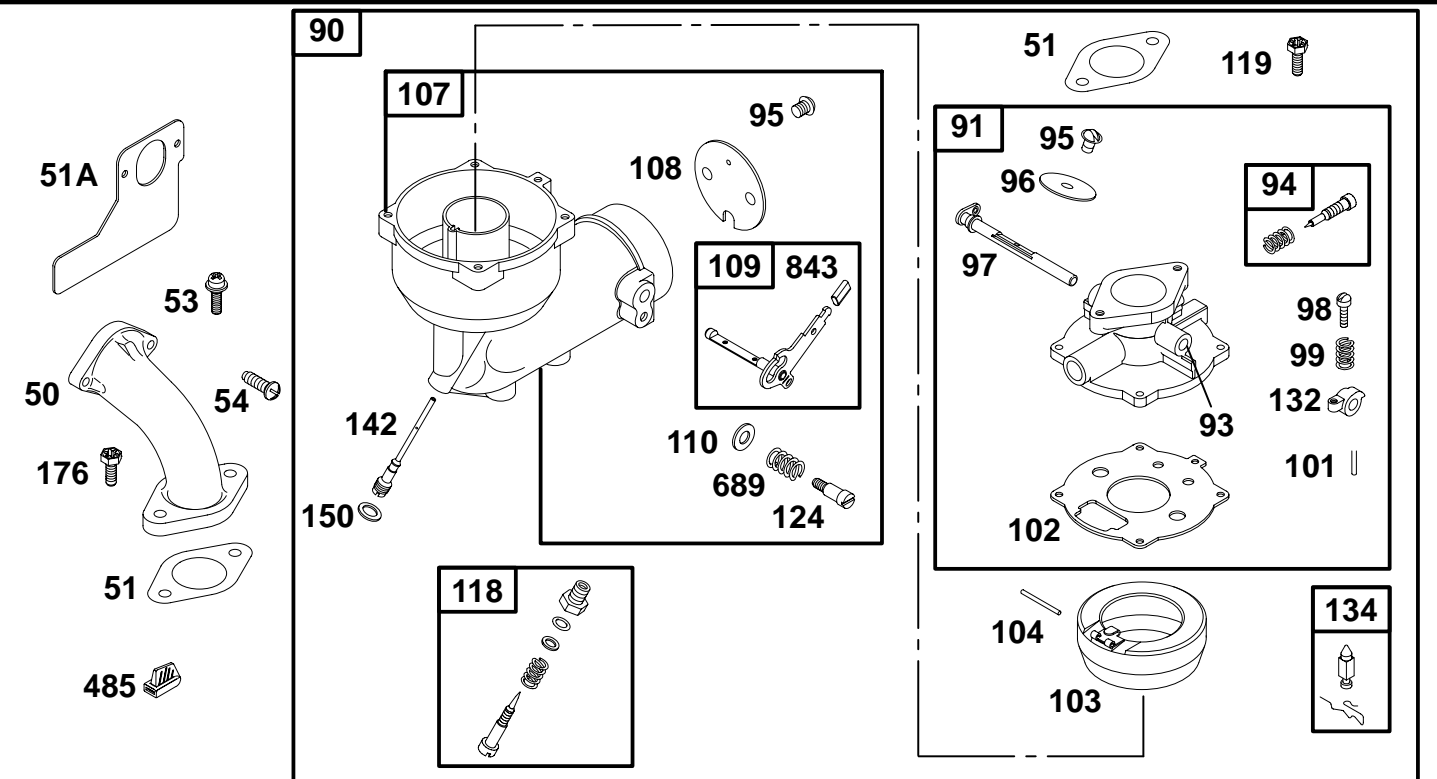
★ **REQUIRES SPECIAL TOOLS TO INSTALL.
SEE REPAIR INSTRUCTION MANUAL.**

REF. NO.	PART NO.	DESCRIPTION	REF. NO.	PART NO.	DESCRIPTION	REF. NO.	PART NO.	DESCRIPTION
12	★271701	Gasket-Crankcase (.015" Thick) Note ★27876 Gasket-Crankcase (.005" Thick) ★27877 Gasket-Crankcase (.009" Thick)		496983	Cover-Crankcase Used on Type No(s). 6023, 6049, 6104, 6140, 6143, 6149, 6154, 6160.	46	214786	Gear-Cam
15A	94880	Plug-Oil Drain		496982	Cover-Crankcase Used on Type No(s). 6015, 6020, 6025, 6116, 6151, 6165.	116	★270920	Seal-O-Ring
18	496980	Cover-Crankcase Note 496984 Cover-Crankcase Used on Type No(s). 6001, 6004, 6005, 6111, 6112, 6113, 6114, 6123, 6124, 6125, 6126, 6128, 6153, 6159, 6163, 6213, 6214.		496981	Cover-Crankcase Used on Type No(s). 6117, 6130, 6135, 6148, 6167.	219	494845	Gear-Governor
			19	295964	Bushing	220	221551	Washer-Thrust
			20	★391086	Seal-Oil	284	94984	Screw-Shoulder
			21	281658	Cap-Oil Fill	318A	94931	Stud-Hex. Drive Used on Type No(s). 6131.
			22	93585	Screw-Hex.	415	94497	Plug-Pipe
						441	223375	Bracket-Oil Fill
						523	495225	Dipstick
						523A	297357	Dipstick
						524	★281370	Seal-Fill Tube
						525	495347	Tube-Oil Fill
						525A	232053	Tube-Oil Fill
						847	399901	Dipstick/Tube Assembly
						847A	493955	Dipstick/Tube Assembly

★ Included in Gasket Set-Part No. 299577.
● Included in Carburetor Kit-Part No. 398235.

∅ Included in Valve Overhaul Gasket Set-Part No. 498533.

190400 to 190499



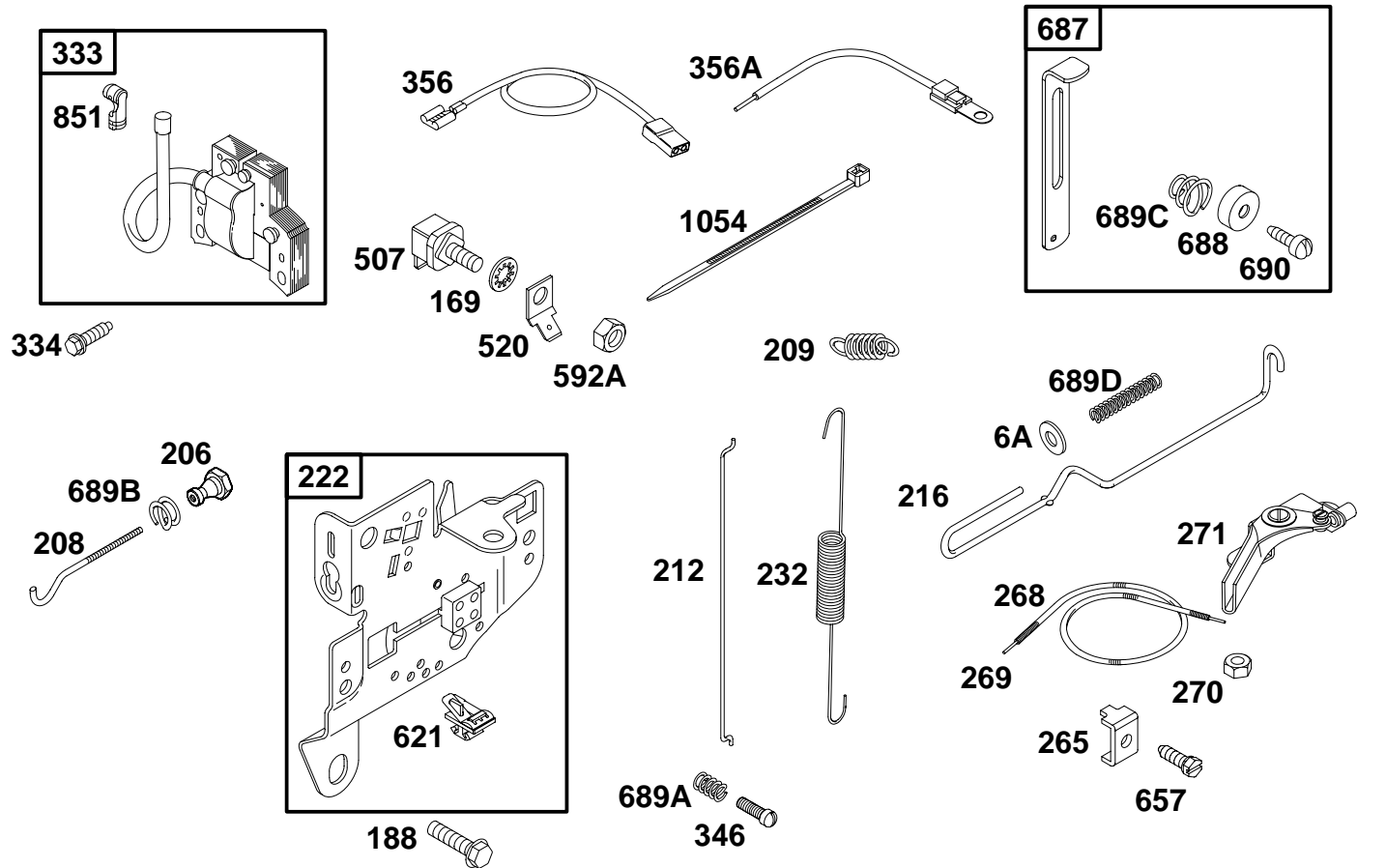
REF. NO.	PART NO.	DESCRIPTION	REF. NO.	PART NO.	DESCRIPTION	REF. NO.	PART NO.	DESCRIPTION
50	212488	Manifold-Intake Note 490050 Manifold-Int. Used on Type No(s). 6029, 6130, 6142.	101	93043	Pin-Shaft	110	222712	Washer-Friction
51	★270684	Gasket-Intake	102	●27918	Gasket-Carburetor Body	118	●99525	Valve-High Speed
51A	★Ø27828	Gasket-Intake	103	99333	Float-Carburetor	119	94152	Screw-Torx® Hex.
53	94839	Screw-Hex.	104	●231435	Pin-Float Hinge	124	23123	Screw-Shoulder
54	93208	Screw-Phillips	107	399442	Body Assembly-Lower Note 399258 Body Assembly-Lower Used on Type No(s). 6029, 6130, 6142. 399444 Body Assembly-Lower Used on Type No(s). 6020, 6123.	132	212904	Stop-Throttle
90	390323	Carburetor Note 397482 Carburetor Used on Type No(s). 6020, 6123. 490140 Carburetor Used on Type No(s). 6029, 6142. 491864 Carburetor Used on Type No(s). 6130.	108	62872	Valve-Choke Note 223727 Valve-Choke Used on Type No(s). 6029, 6130, 6142.	134	●394681	Needle/Seat Kit (Viton Seat) Note 394682 Valve-Needle (Brass Seat) 394683 Valve-Needle (For Pump Feed Carburetor)
91	399443	Body Assembly-Upper	109	391987	Shaft-Choke Note 391888 Shaft-Choke Used on Type No(s). 6029, 6130, 6142. 396700 Shaft-Choke Used on Type No(s). 6020, 6123.	142	●398202	Nozzle-Carburetor
93	23108	Bushing-Throttle Shaft				150	●68667	Gasket-Nozzle
94	292681	Valve-Idle Adjust				176	94913	Screw-Torx®Hex.
95	93499	Screw-Choke/Throttle				485	280147	Knob-Control Used on Type No(s). 6130.
96	223370	Valve-Throttle				689	26155	Spring-Friction
97	298826	Shaft-Throttle				843	280149	Sleeve-Lever
98	91920	Screw-Slotted						
99	26157	Spring-Friction						

★ Included in Gasket Set-Part No. 299577.

● Included in Carburetor Kit-Part No. 398235.

Ø Included in Valve Overhaul Gasket Set-Part No. 498533.

190400 to 190499

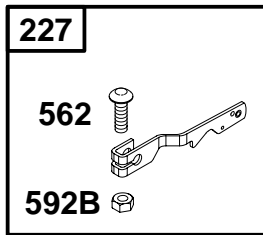
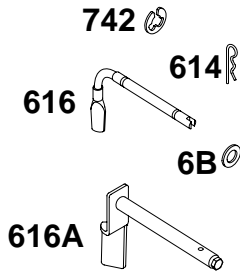
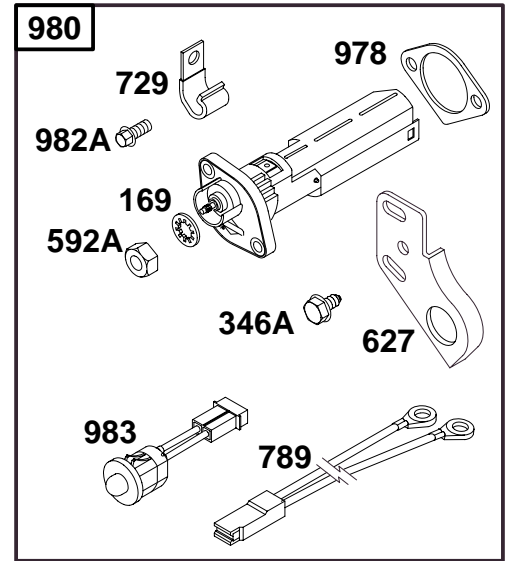
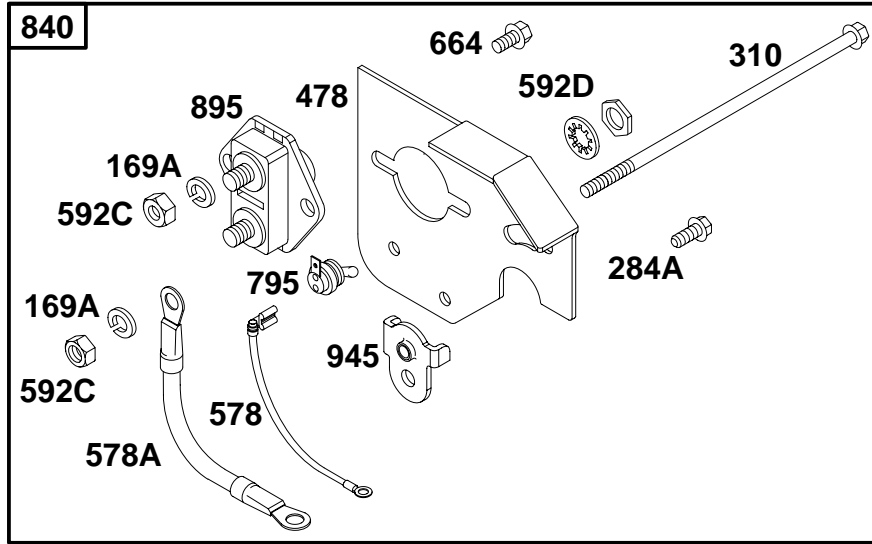


REF. NO.	PART NO.	DESCRIPTION	REF. NO.	PART NO.	DESCRIPTION	REF. NO.	PART NO.	DESCRIPTION
6A	222352	Washer—Flat	212	260872	Link—Throttle	334	94731	Screw—Hex.
169	92791	Washer—Lock	216	262026	Link—Choke	346	90200	Screw—Slotted
188	93343	Screw—Hex.	222	399151	Bracket—Control	356	398838	Wire—Stop
206	231266	Nut—Gov. Adjusting			Note	356A	496868	Wire—Stop
208	261959	Rod—Gov. Control			399150 Bracket—Control	507	398525	Insulator
209	260695	Spring—Governor			Used on Type No(s). 6020, 6123.	520	93722	Terminal
		Note	232	260478	Spring—Link	592A	90576	Nut—Hex.
		261126 Spring—Gov. Used on Type No(s). 6015, 6020, 6023, 6025, 6035, 6041, 6049, 6072, 6116, 6118, 6131, 6135, 6137, 6142, 6147, 6151, 6155, 6165, 6161, 6162, 6180.	265	221535	Clamp—Casing	621	396847	Switch—Stop
		261129 Spring—Gov. Used on Type No(s). 6130.	268	65616	Casing—Wire (72" Long) (Cut to Required Length)	657	94906	Screw—Slotted Hex.
		261194 Spring—Gov. Used on Type No(s). 6123, 6138, 6166.	269	26633	Wire—Control (78" Long) (Cut to Required Length)	687	390701	Slide—Control
			270	63426	Locknut—Casing	688	221766	Cap—Friction
			271	290568	Lever—Control	689A	26157	Spring—Friction
			333	398811	Armature—Magneto	689B	26855	Spring—Friction
						689C	260847	Spring—Friction
						689D	261119	Spring—Friction
						690	90746	Screw—Slotted
						851	493880	Terminal—Cable
						1054	280275	Tie—Cable

★ Included in Gasket Set—Part No. 299577.
● Included in Carburetor Kit—Part No. 398235.

∅ Included in Valve Overhaul Gasket Set—Part No. 498533.

190400 to 190499


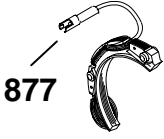
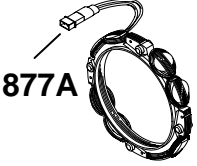
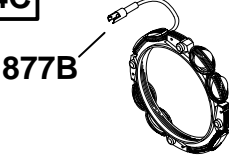

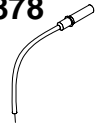

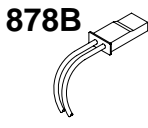
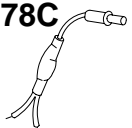
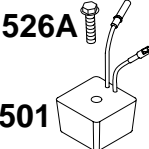
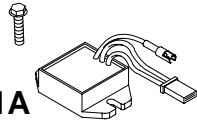


REF. NO.	PART NO.	DESCRIPTION	REF. NO.	PART NO.	DESCRIPTION	REF. NO.	PART NO.	DESCRIPTION
6B	94927	Washer-Flat	592A	90576	Nut-Hex.	742	93307	Retainer-E-Ring
169	92791	Washer-Lock	592B	231978	Nut-Hex.	789	398661	Harness-Wiring
169A	90366	Washer-Lock	592C	92278	Nut-Hex.	795	496590	Switch-Toggle
284A	94874	Screw-Hex.	592D	93888	Nut-Hex.	840	395408	Kit-Panel
227	391965	Lever-Governor	614	93306	Pin-Cotter	895	299139	Switch-Starting
310	94003	Screw-Hex.	616	495241	Crank-Governor	945	223429	Bracket-Motor
346A	94896	Screw-Hex.	616A	495241	Crank-Governor	978	★273326	Gasket-OIL GARD®
478	395410	Panel	627	223773	Bracket-Stop Switch	980	398182	OIL GARD® Kit
562	94907	Bolt-Governor Lever	664	95012	Screw-Hex.	982A	94657	Screw-Hex.
578	397674	Wire Assembly	729	223528	Clip-Wire	983	398660	Light-Indicator
578A	392683	Wire Assembly						


★ Included in Gasket Set-Part No. 299577.
 ● Included in Carburetor Kit-Part No. 398235.

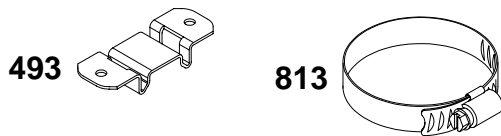
∅ Included in Valve Overhaul Gasket Set-Part No. 498533.

190400 to 190499

AC ONLY	DC ONLY	DUAL CIRCUIT	SEE NOTE TRI-CIRCUIT / OR 5 AMP AND 9 AMP		SEE NOTE 10-13-16 AMP STATOR
474 	474A 	474B 	474C 	474D 	
878 	878A 	878B 	878C 	526A 501 	526 501A 

NOTE: THE PROPER FLYWHEEL PART NUMBER AND/OR THE ALTERNATOR MAGNET SIZE WILL DETERMINE THE ALTERNATOR TYPE OR OUTPUT. SEE REPAIR INSTRUCTION MANUAL FOR ADDITIONAL INFORMATION.

NOTE: ALL STATORS USE NO. 482 MOUNTING SCREW. 

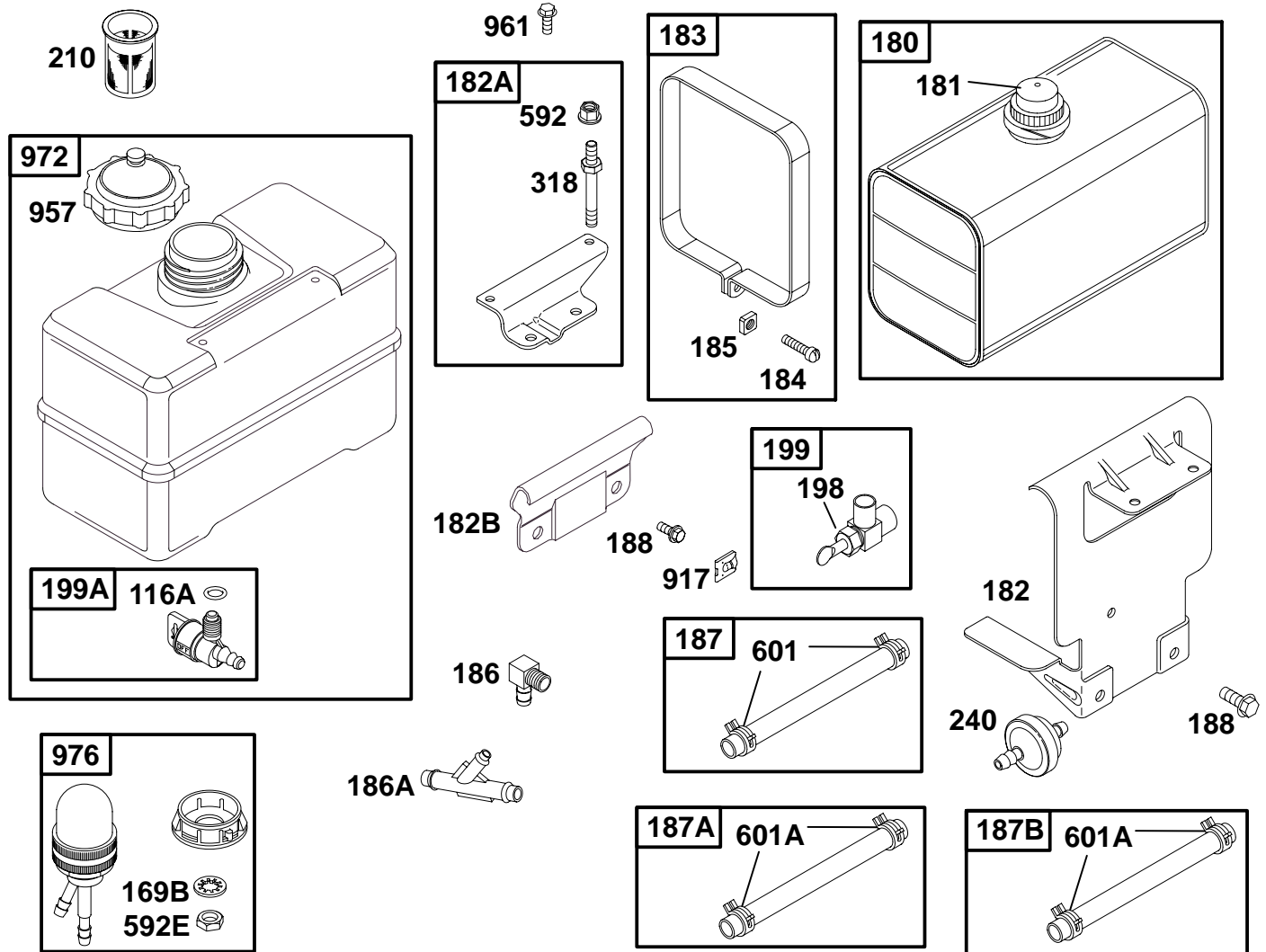


REF. NO.	PART NO.	DESCRIPTION	REF. NO.	PART NO.	DESCRIPTION	REF. NO.	PART NO.	DESCRIPTION
474	391595	Alternator (AC Only)	501	491546	Regulator	877C	399916	Connector-Alt. Output (Regulated)
474A	391529	Alternator (DC Only)	501A	394890	Regulator	878	390867	Harness-Alternator (AC Only)
474B	393474	Alternator (Dual Circuit)	526	93343	Screw-Hex.	878A	393422	Harness-Alternator (DC Only)
474C	392595	Alternator (Tri-Circuit)	526A	94137	Screw-Hex.	878B	393362	Harness-Alternator (Dual Circuit)
474D	393295	Alternator (Regulated)	813	393514	Clamp	878C	392606	Harness-Alternator (Tri-Circuit)
482	93621	Screw-Hex.	877	393814	Connector-Alt. Output (DC Only)			
493	222934	Bracket-Mounting	877A	393456	Connector-Alt. Output (Dual Circuit)			
			877B	393537	Connector-Alt. Output (Tri-Circuit)			

★ Included in Gasket Set-Part No. 299577.
● Included in Carburetor Kit-Part No. 398235.

∅ Included in Valve Overhaul Gasket Set-Part No. 498533.

190400 to 190499

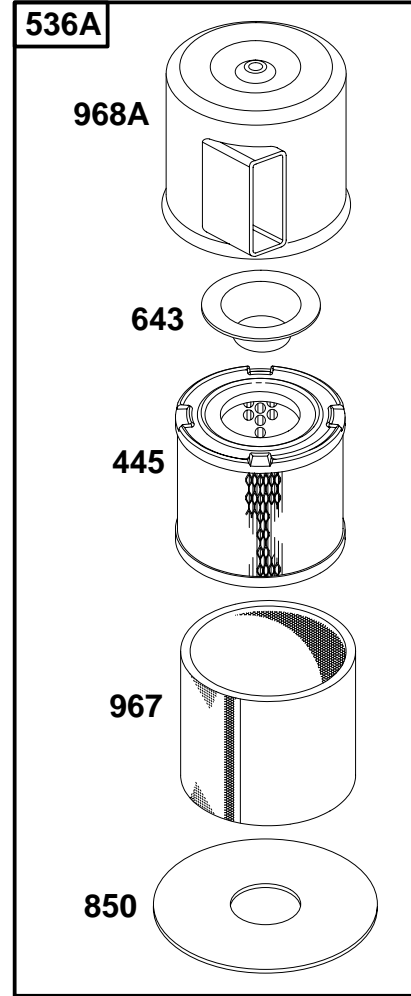
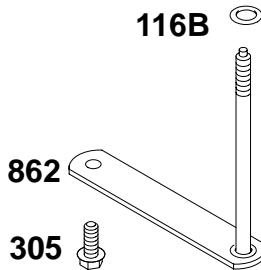
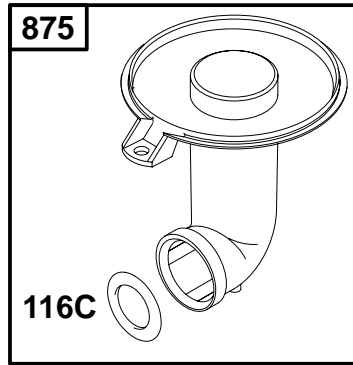
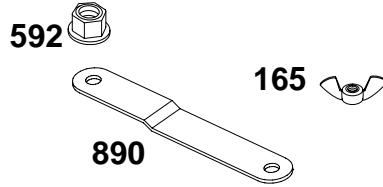
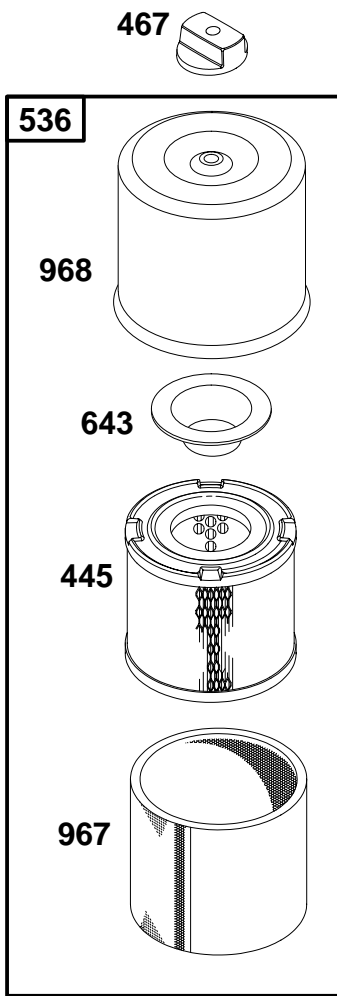


REF. NO.	PART NO.	DESCRIPTION	REF. NO.	PART NO.	DESCRIPTION	REF. NO.	PART NO.	DESCRIPTION
116A	280203	Seal-O-Ring	183	291367	Strap-Fuel Tank	199A	399517	Valve-Shutoff
169B	94281	Washer-Lock			Note	210	492044	Strainer-Fuel
180	290816	Tank-Fuel			291490 Strap-Fuel Tank	240	298090	Filter-Fuel
		Note			Used on Type No(s). 6059.	318	94926	Stud-Hex. Drive
181	392305	Cap-Fuel Tank	184	91257	Screw-Slotted	592	94726	Nut-Hex.
182	222758	Bracket-Fuel Tank	185	90970	Nut-Square	592E	94189	Nut-Hex.
		Note	186	67218	Connector-Hose	601	95162	Clamp-Hose (Green)
		222829 Bracket-Fuel Tank	186A	280727	Connector-Hose			Note
		Used on Type No(s). 6059.	187	296004	Line-Fuel (Cut to Required Length)			93807 Clamp-Hose (Black)
182A	495664	Bracket-Fuel Tank	187A	399254	Line-Fuel	601A	94171	Clamp-Hose
182B	492990	Bracket-Fuel Tank	187B	399256	Line-Fuel	917	223271	Handle-Shutoff Valve
			188	94627	Screw-Hex.	957	493988	Cap-Fuel Tank
			198	293934	Screw-Shutoff	961	94095	Screw-Hex.
			199	297563	Valve-Shutoff	972	493337	Tank-Fuel
						976	399255	Primer-Carburetor

★ Included in Gasket Set-Part No. 299577.
 ● Included in Carburetor Kit-Part No. 398235.

∅ Included in Valve Overhaul Gasket Set-Part No. 498533.

190400 to 190499

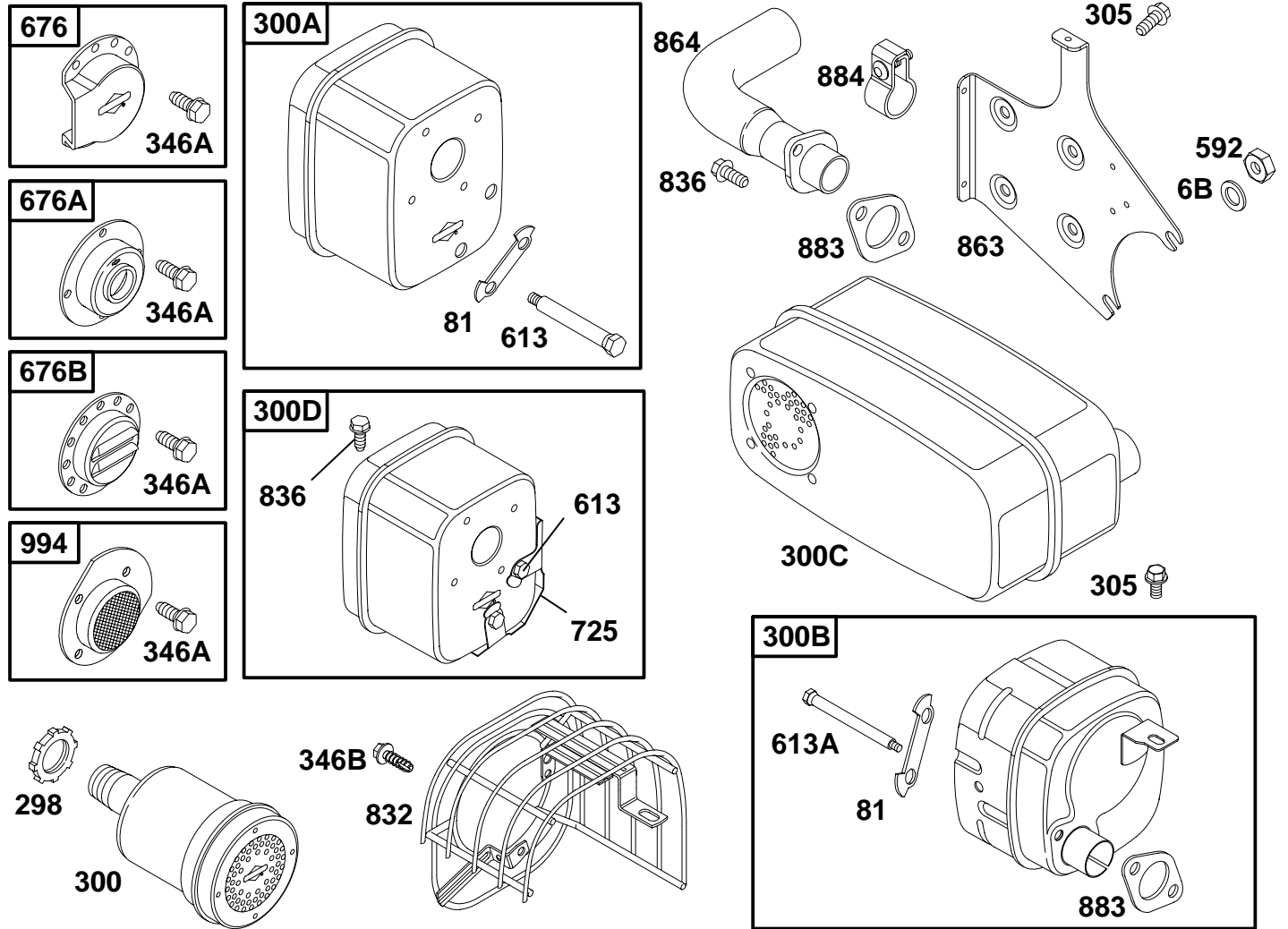


REF. NO.	PART NO.	DESCRIPTION	REF. NO.	PART NO.	DESCRIPTION	REF. NO.	PART NO.	DESCRIPTION
116B	65978	Seal-O-Ring	536A	399810	Cleaner-Air	875	398592	Base-Air Cleaner
116C	271265	Seal-O-Ring	592	94726	Nut-Hex.	890	224484	Bracket-Support
165	94289	Nut-Wing	643	222272	Retainer-Filter	967	271794	Filter-Pre-Cleaner
305	94786	Screw-Hex.	850	271793	Seal-Base	968	224885	Cover-Air Cleaner
445	393957	Filter-A/C Cartridge	862	392105	Strap-Cleaner Mounting	968A	496093	Cover-Air Cleaner
467	493903	Nut-Air Cleaner						
536	391063	Cleaner-Air						

★ Included in Gasket Set-Part No. 299577.
 ● Included in Carburetor Kit-Part No. 398235.

∅ Included in Valve Overhaul Gasket Set-Part No. 498533.

190400 to 190499

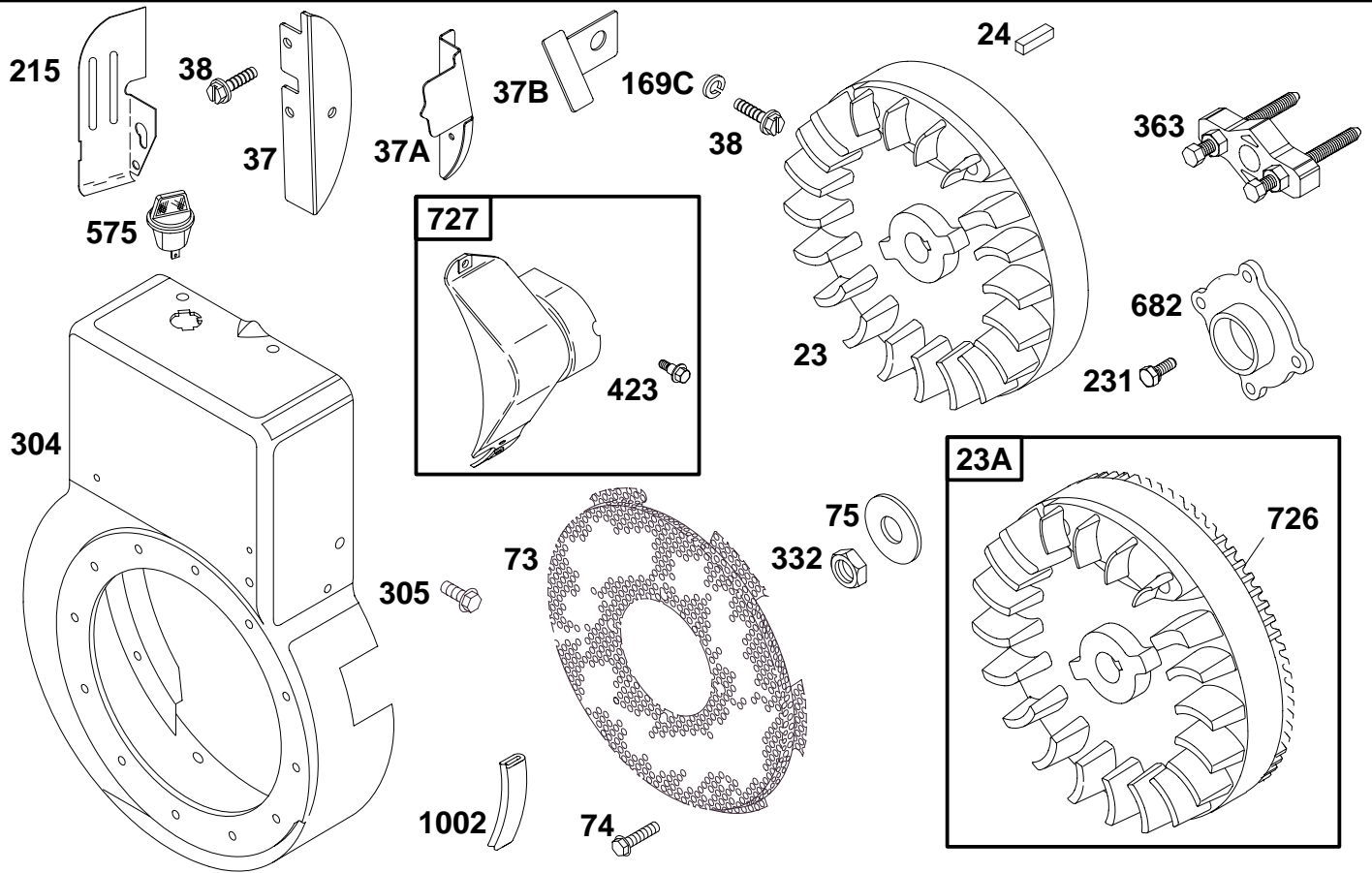


REF. NO.	PART NO.	DESCRIPTION	REF. NO.	PART NO.	DESCRIPTION	REF. NO.	PART NO.	DESCRIPTION
6B	93852	Washer-Flat	592	94726	Nut-Hex.	676B	393758	Deflector-Muffler
81	222263	Lock-Muffler Screw	613	94054	Screw-Shoulder	725	223645	Shield-Heat
298	261409	Locknut-Muffler	613A	94042	Screw-Shoulder	832	492337	Guard-Muffler
300	393010	Muffler-Exhaust	676	393757	Deflector-Muffler	836	94905	Screw-Torx® Hex.
300A	494221	Muffler-Exhaust	Note			863	224479	Bracket-Muffler
300B	391313	Muffler-Exhaust	_____ 393761 Deflector-Muffler Used on Type No(s). 6002, 6115, 6133.			864	494009	Adapter-Muffler
300C	498984	Muffler-Exhaust				676A	395700	Deflector-Muffler
300D	494222	Muffler-Exhaust				884	392649	Clamp-Muffler
305	94786	Screw-Hex.				994	399541	Arrester-Spark
346A	94896	Screw-Hex.						
346B	93606	Screw-Hex.						

★ Included in Gasket Set-Part No. 299577.
 ● Included in Carburetor Kit-Part No. 398235.

Ø Included in Valve Overhaul Gasket Set-Part No. 498533.

190400 to 190499

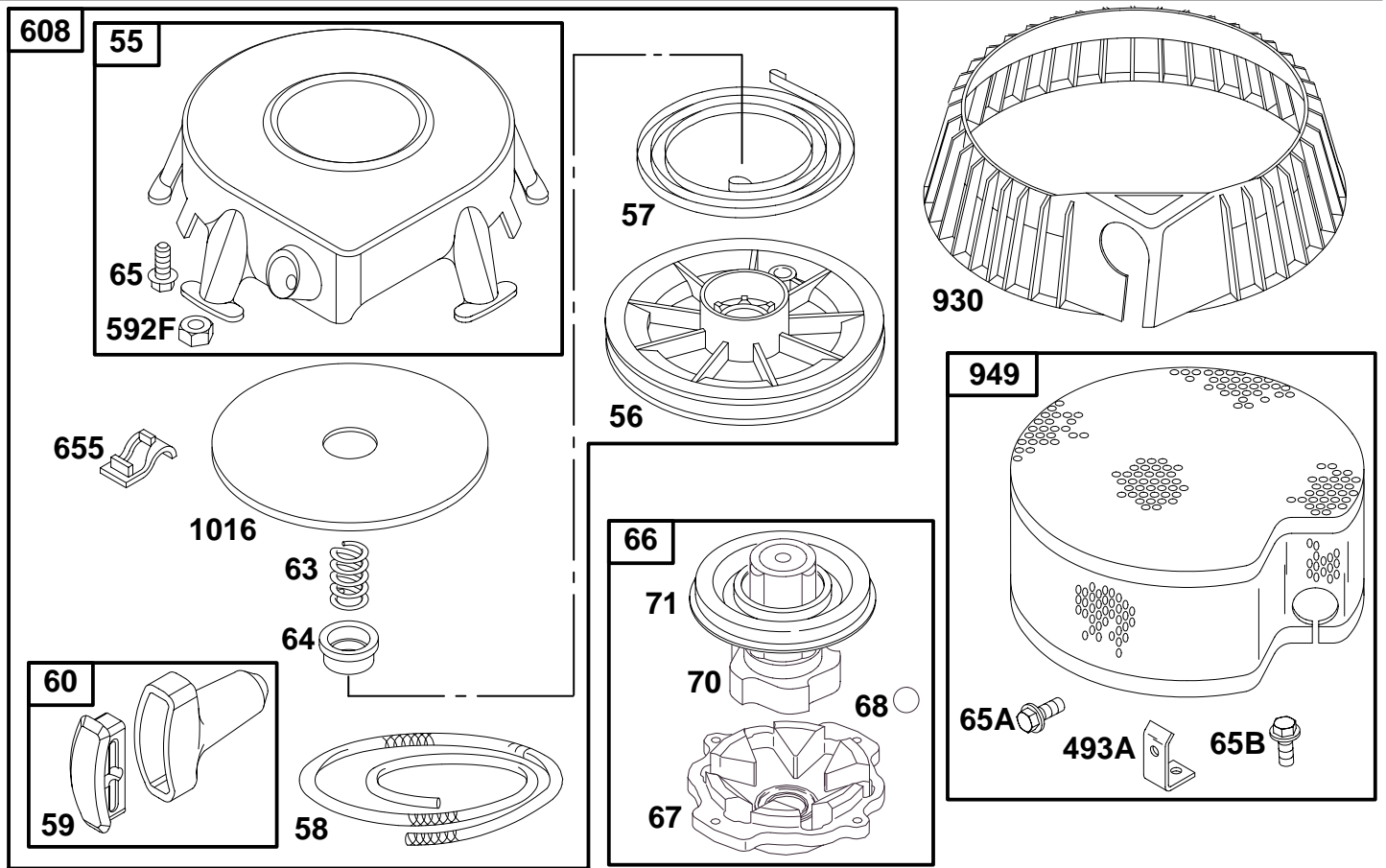


REF. NO.	PART NO.	DESCRIPTION	REF. NO.	PART NO.	DESCRIPTION	REF. NO.	PART NO.	DESCRIPTION
23	298260	Flywheel	304	491596	Housing—Blower Note 399271 Housing—Blower Used on Type No(s). 6029, 6142. 399272 Housing—Blower Used on Type No(s). 6130. 491592 Housing—Blower Used on Type No(s). 6001, 6002, 6006, 6025, 6041, 6072, 6113, 6122, 6149, 6158, 6163, 6213.	305	94786	Screw—Hex.
23A	391983	Flywheel				332	94877	Nut—Flywheel
Note						363	19203	Flywheel Puller
	392034	Flywheel Used on Type No(s). 6029, 6149.				423	94625	Screw—Shoulder
24	222698	Key—Flywheel				575	396691	Switch—Rotary
37	222475	Guard—Flywheel				682	211516	Shield—Clutch
37A	224886	Guard—Flywheel				726	399676	Gear—Ring
37B	224871	Guard—Flywheel				727	395405	Cover—Starter Drive
38	94811	Screw—Slotted Hex.				1002	280738	Shield—Blower Housing
73	224874	Screen—Rotating						
74	93758	Screw—Hex.						
75	225136	Washer—Flywheel						
169C	93713	Washer—Lock						
215	221760	Guide—Air						
231	94807	Screw—Hex.						

★ Included in Gasket Set—Part No. 299577.
● Included in Carburetor Kit—Part No. 398235.

∅ Included in Valve Overhaul Gasket Set—Part No. 498533.

190400 to 190499

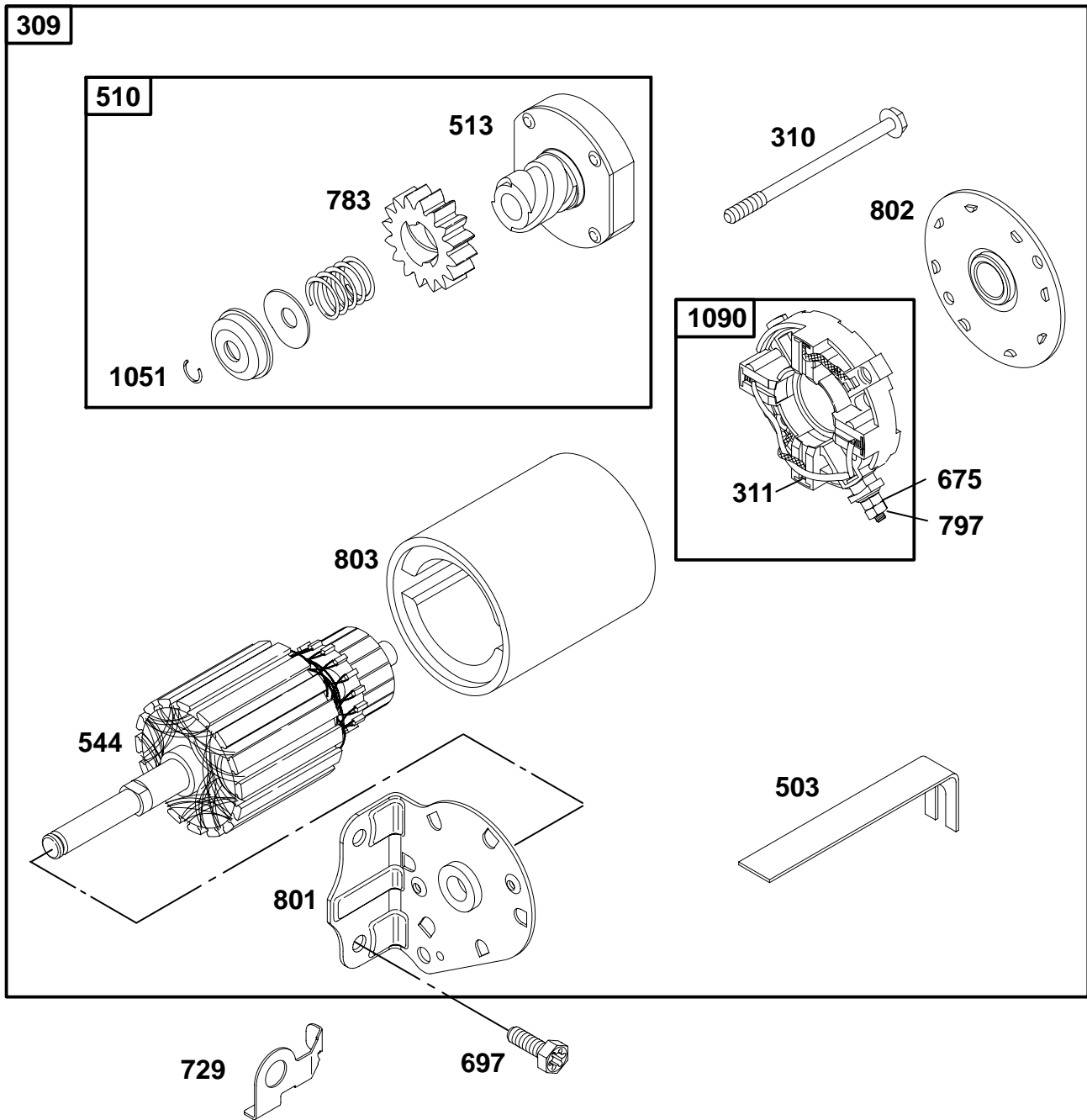


REF. NO.	PART NO.	DESCRIPTION	REF. NO.	PART NO.	DESCRIPTION	REF. NO.	PART NO.	DESCRIPTION
55	393576	Housing—Rewind Starter	64	281204	Adapter—Spring	655	222598	Anchor—Rewind Spring
		Note	65	94686	Screw—Hex	930	280685	Guard—Rewind
		398099 Housing—Rewind Starter	65A	94902	Screw—Hex.	949	397530	Guard—Debris Screen
		Used on Type No(s). 6029, 6130, 6142.	65B	93067	Screw—Hex.	1016	490817	Spacer—Rewind
56	295871	Pulley—Starter	66	399671	Clutch—Starter			
57	490179	Spring—Rewind Starter	67	394897	Housing—Clutch			
58	66894	Rope—Starter	68	63770	Ball—Clutch			
59	490653	Insert—Grip	70	298799	Ratchet—Clutch			
60	490652	Grip—Starter Rope	71	394506	Cover—Ratchet			
		Note	493A	223379	Bracket—Mounting			
		398101 Grip—Starter Rope	592F	94908	Nut—Hex.			
		Used on Type No(s). 6029, 6130, 6142.	608	390391	Starter—Rewind			
63	260414	Spring—Ratchet			Note			
					397982 Starter—Rewind			
					Used on Type No(s). 6029, 6130, 6142.			

★ Included in Gasket Set—Part No. 299577.
 ● Included in Carburetor Kit—Part No. 398235.

∅ Included in Valve Overhaul Gasket Set—Part No. 498533.

190400 to 190499

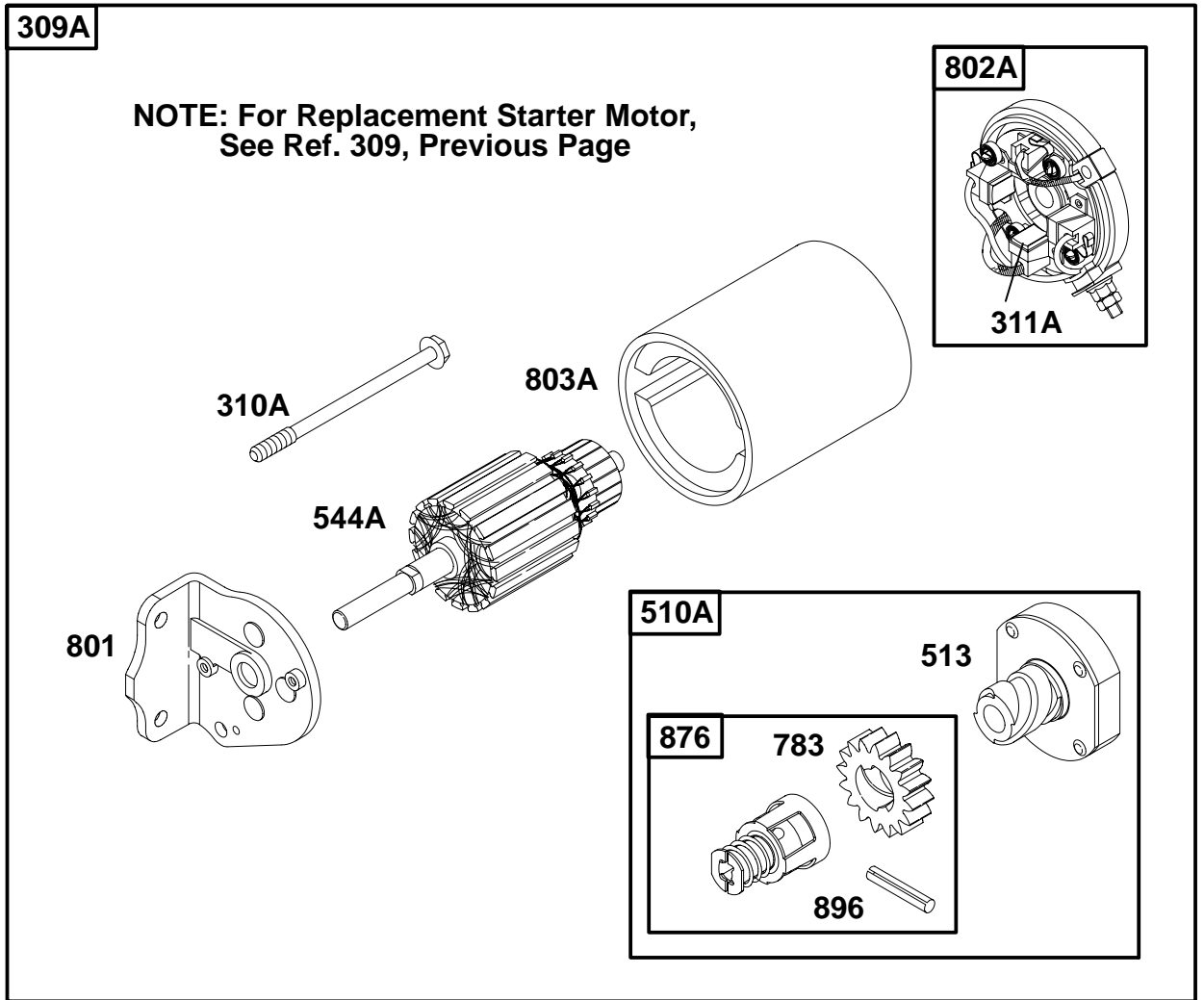


REF. NO.	PART NO.	DESCRIPTION	REF. NO.	PART NO.	DESCRIPTION	REF. NO.	PART NO.	DESCRIPTION
309	693054	Motor-Starter (3 5/8" Housing Lgth.)	544	497603	Armature-Starter (3 5/8" Housing Lgth.)	797	92278	Nut (Starter Terminal)
310	94003	Bolt (Starter Motor) (3 5/8" Housing Lgth.)	675	225137	Washer (Starter Motor)	801	394856	Cap-Drive
311	497608	Brush Set	697	94773	Screw (Starter Motor Mounting)	802	497607	Cap-End
503	806000	Strap-Starter	729	225170	Clip-Wire	803	497604	Housing-Starter (3 5/8" Housing Lgth.)
510	497606	Drive-Starter	783	693059	Gear-Starter	1051	263080	Ring-Retainer
513	398003	Clutch-Drive				1090	497605	Retainer-Brush

★ Included in Gasket Set-Part No. 299577.
● Included in Carburetor Kit-Part No. 398235.

∅ Included in Valve Overhaul Gasket Set-Part No. 498533.

190400 to 190499

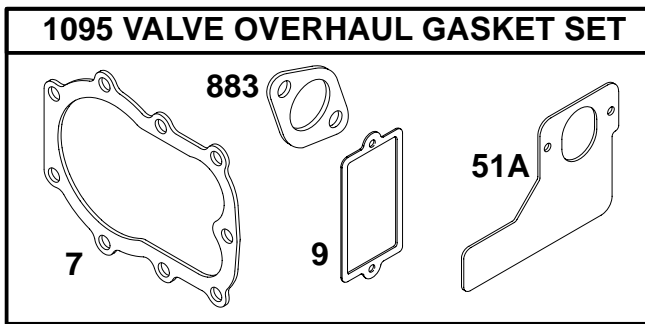
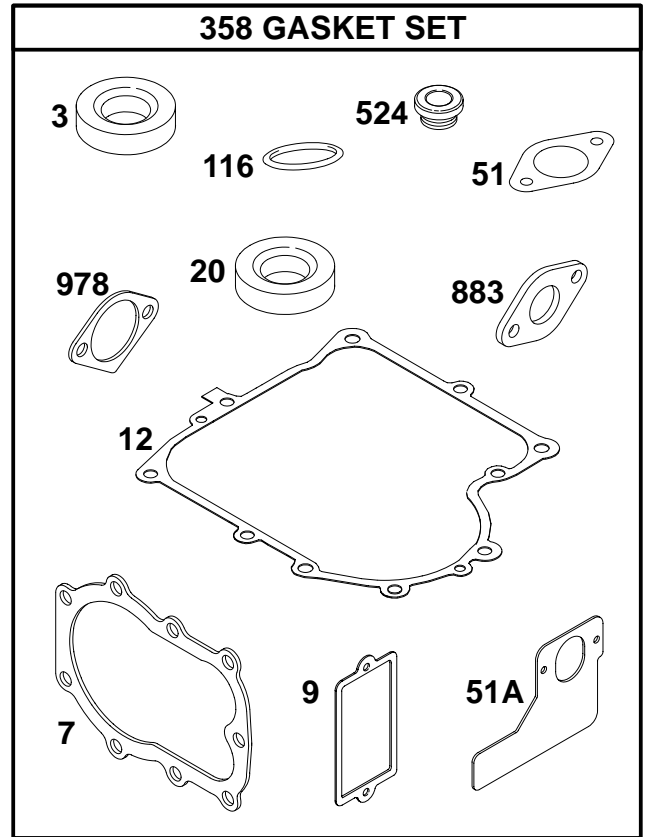
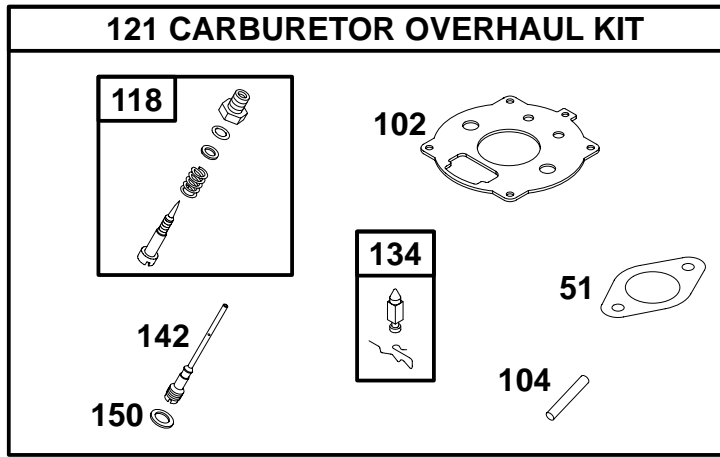


REF. NO.	PART NO.	DESCRIPTION	REF. NO.	PART NO.	DESCRIPTION	REF. NO.	PART NO.	DESCRIPTION
309A		For Replacement Starter Motor, See Ref 309, Previous Page.	503	806000	Strap-Starter	783	693059	Gear-Starter
			510A	495878	Drive-Starter	801	394856	Cap-Drive
			513	398003	Clutch-Drive	802A	395537	Cap-End (For 3 5/8" Housing Length)
310A	94003	Bolt (Starter Motor) (For 3 5/8" Housing Length)	544A	390837	Armature-Starter (For 3 5/8" Housing Length)	803A	398159	Housing-Starter (For 3 5/8" Housing Length)
311A	395538	Brush Set (For 3 5/8" Housing Lengths)	697	94773	Screw (Starter Motor Mounting)	876	495877	Kit-Gear
						896	94288	Pin-Roll

★ Included in Gasket Set-Part No. 299577.
 ● Included in Carburetor Kit-Part No. 398235.

∅ Included in Valve Overhaul Gasket Set-Part No. 498533.

190400 to 190499



REF. NO.	PART NO.	DESCRIPTION	REF. NO.	PART NO.	DESCRIPTION	REF. NO.	PART NO.	DESCRIPTION
3	★391086	Seal—Oil	20	★391086	Seal—Oil	142	●398202	Nozzle—Carburetor
7	★Ø272163	Gasket—Cylinder Head	51	●★270684	Gasket—Intake	150	●68667	Gasket—Nozzle (Viton Seat)
9	★Ø27803	Gasket—Breather	51A	★Ø27828	Gasket—Intake	358	299577	Gasket Set
12	★271701	Gasket—Crankcase (.015" Thick)	102	●27918	Gasket—Carburetor Body	524	★281370	Seal—Fill Tube
	★27876	Gasket—Crankcase (.005" Thick)	104	●231435	Pin—Float Hinge	883	★Ø272309	Gasket—Exhaust
	★27877	Gasket—Crankcase (.009" Thick)	116	★270920	Seal—O-Ring	978	★273326	Gasket—OIL GARD®
			118	●99525	Valve—High Speed	1095	498533	Gasket Set—Valve Overhaul
			121	398235	Carburetor Kit			
			134	●394681	Needle/Seat Kit			

★ Included in Gasket Set—Part No. 299577.
● Included in Carburetor Kit—Part No. 398235.

Ø Included in Valve Overhaul Gasket Set—Part No. 498533.