

Illustrated Parts List

Model Series

184400 to 184499

TYPE NUMBERS
0131.

TO FIND
THE CORRECT NUMBER OF THE PART YOU NEED:
FOLLOW THE INSTRUCTIONS BELOW

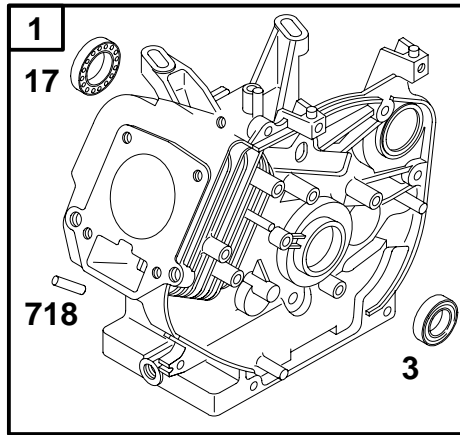
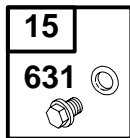
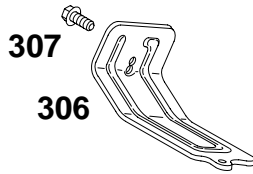
- A. Refer to Engine Model, Type and Code Number that is stamped on the blower housing of engine. Engine type numbers such as 0123 01 are listed only as 0123 in most instances. The two digits (01 or 02, etc.) to the right of the space may be required for more accurate parts identification in some instances. Select the Illustrated Parts List covering the correct Model Series and Type Number.
- B. Refer to the Illustrations and compare the original part with Illustration. The number next to the illustration is the Reference Number. Assemblies include all parts shown in frames. All parts shown in assembly frames having individual reference numbers can be purchased separately.
- C. After the Reference Number has been identified, refer to the Numerical text, where Reference and Primary Part Number are listed. **THE PRIMARY PART IS USED ON ALL TYPE NUMBERS EXCEPT THOSE TYPE NUMBERS UNDER "NOTE."**
- D. If a "Note" appears below the Primary Part Number, it means that this part differs from the Primary Part for certain types. If your Type number is listed under "Note," order the part referred to at the "Note."
- E. If your Engine Type Number does not appear after any part number listed under "Note," use the Primary Part Number.
- F. For Engine Type Numbers not covered by this book, check other Parts Lists having the same engine model or contact your source of supply.

PRINTED IN U.S.A.



COPYRIGHT by BRIGGS & STRATTON CORPORATION
All rights reserved. No part of this material may be reproduced or transmitted, in any form or by any means, electronic or mechanical, including photocopying, recording or by any information storage and retrieval system, without permission in writing from Briggs & Stratton Corporation.

184400 to 184499



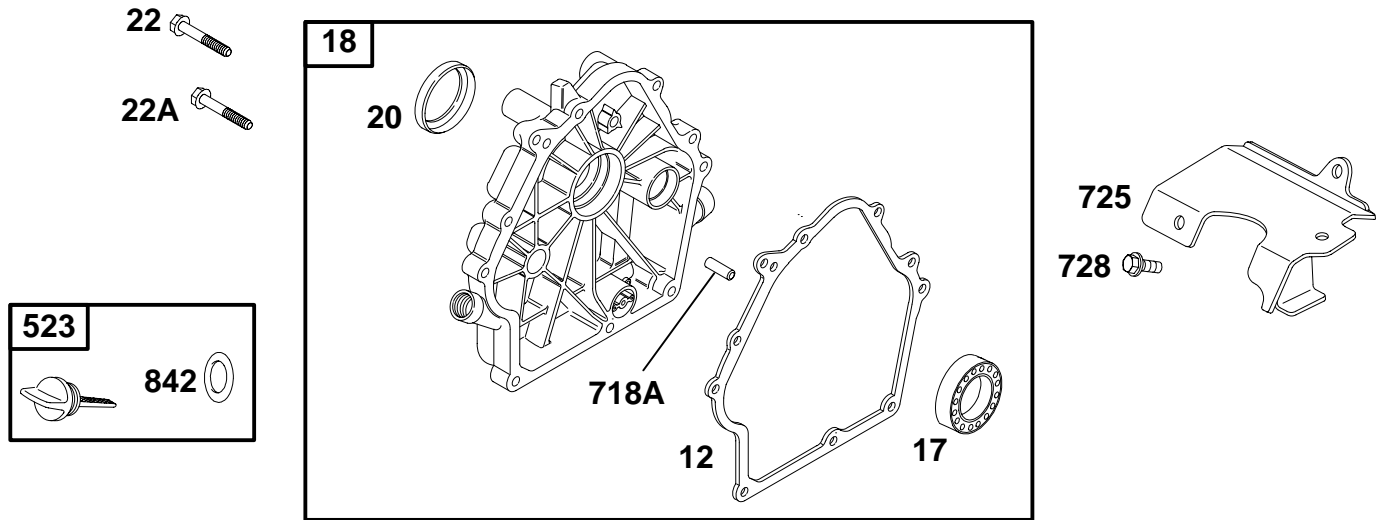
1019 LABEL KIT

REF. NO.	PART NO.	DESCRIPTION	REF. NO.	PART NO.	DESCRIPTION	REF. NO.	PART NO.	DESCRIPTION
1	715746	Cylinder Assembly	17	710003	Bearing-Ball	631	★710004	Washer (Oil Drain Plug)
3	★710000	Seal-Oil (Magneto Side)	306	710242	Shield-Cylinder	718	710005	Pin-Locating
15	715000	Plug-Oil Drain	307	710023	Screw (Cylinder Shield)	1019	715031	Kit-Label

★ Included in Engine Gasket Set-Ref. No. 358.

. Δ Included in Valve Gasket Kit-Ref. No.1095

184400 to 184499

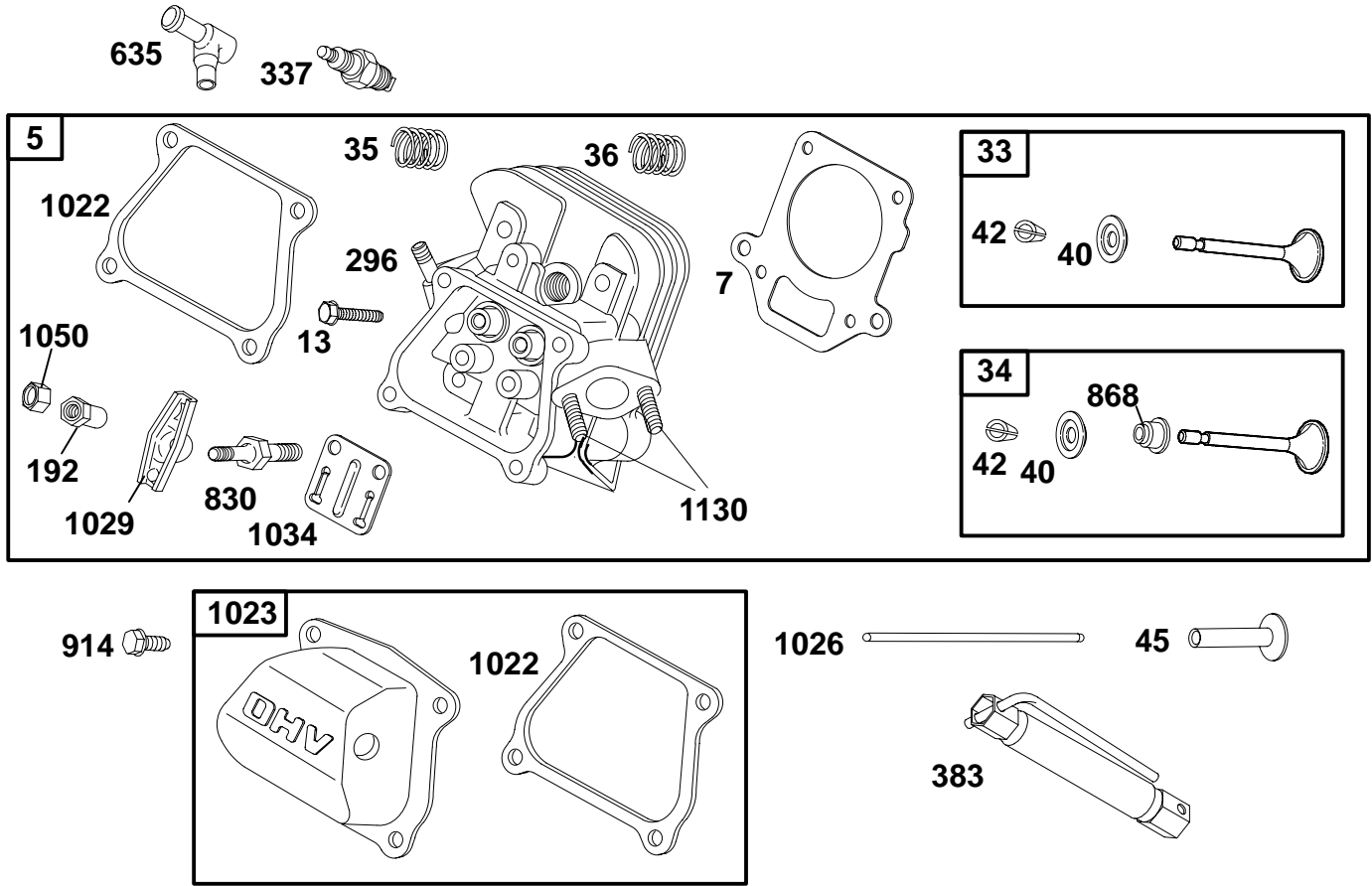


REF. NO.	PART NO.	DESCRIPTION	REF. NO.	PART NO.	DESCRIPTION	REF. NO.	PART NO.	DESCRIPTION
12	★710216	Gasket-Crankcase	22	710032	Screw (Crankcase Cover/ Sump)	523	715589	Dipstick
17	710003	Bearing-Ball				718A	710034	Pin-Locating
18	715189	Cover-Crankcase	22A	710306	Screw (Crankcase Cover/ Sump)	725	710259	Shield-Heat
20	★710215	Seal-Oil (PTO Side)				728	710023	Screw (Heat Shield)
						842	★710218	Seal-O Ring

★ Included in Engine Gasket Set-Ref. No. 358.

. Δ Included in Valve Gasket Kit-Ref. No.1095

184400 to 184499

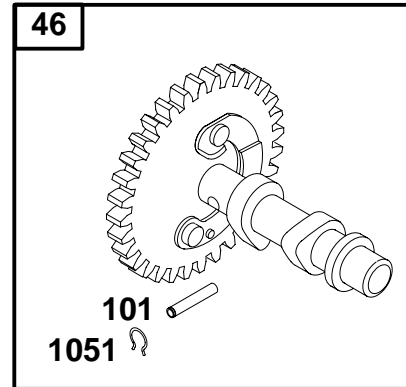
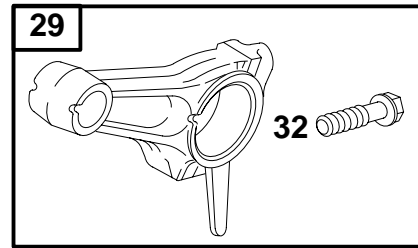
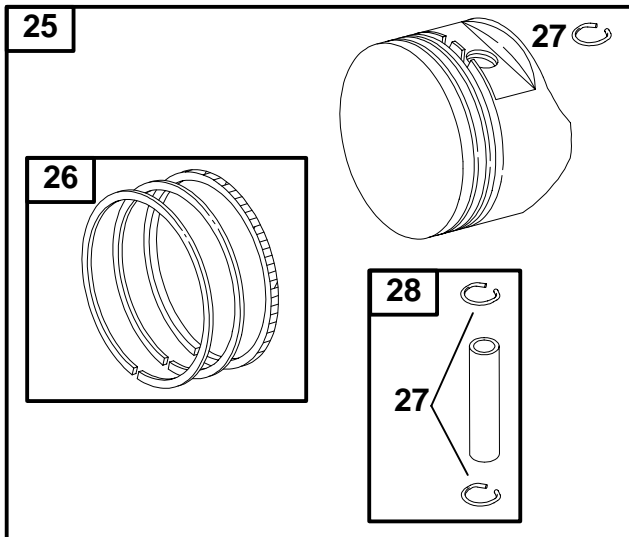


REF. NO.	PART NO.	DESCRIPTION	REF. NO.	PART NO.	DESCRIPTION	REF. NO.	PART NO.	DESCRIPTION
5	715773	Head-Cylinder	45	710008	Tappet-Valve	1022	Δ710206	Gasket-Rocker Cover
7	Δ710205	Gasket-Cylinder Head	192	710015	Adjuster-Rocker Arm	1023	715091	Cover-Rocker Arm
13	710204	Screw (Cylinder Head)	296	710099	Stud (Muffler)	1026	710210	Rod-Push
33	715085	Valve-Exhaust	337	491055	Sparkplug	1029	710014	Arm-Rocker
34	715754	Valve-Intake	383	19374	Wrench-Sparkplug	1034	710203	Guide-Push Rod
35	710209	Spring-Valve (Intake)	635	710634	Boot-Sparkplug	1050	710007	Nut (Rocker Arm)
36	710209	Spring-Valve (Exhaust)	830	710016	Stud (Rocker Arm)	1130	711013	Stud (Intake Manifold)
40	710012	Retainer-Valve	868	Δ710863	Seal-Valve			
42	715130	Keeper-Valve	914	710023	Screw (Rocker Cover)			

★ Included in Engine Gasket Set-Ref. No. 358.

. Δ Included in Valve Gasket Kit-Ref. No.1095

184400 to 184499

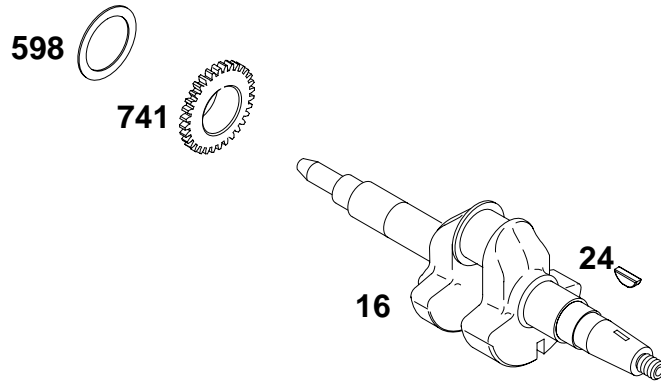


REF. NO.	PART NO.	DESCRIPTION	REF. NO.	PART NO.	DESCRIPTION	REF. NO.	PART NO.	DESCRIPTION
25	715645	Piston Assembly (Standard)	26	715111	Ring Set (Standard)	29	715771	Rod-Connecting
		Note			Note	32	710221	Screw (Connecting Rod)
	715649	Piston Assembly (.010" Oversize)		715112	Ring Set (.010" Oversize)	46	715667	Camshaft
	715651	Piston Assembly (.020" Oversize)		715113	Ring Set (.020" Oversize)	101	710219	Pin-Shaft
			27	710220	Lock-Piston Pin	1051	710039	Ring-Retaining
			28	715114	Pin-Piston			

★ Included in Engine Gasket Set-Ref. No. 358.

. Δ Included in Valve Gasket Kit-Ref. No.1095

184400 to 184499

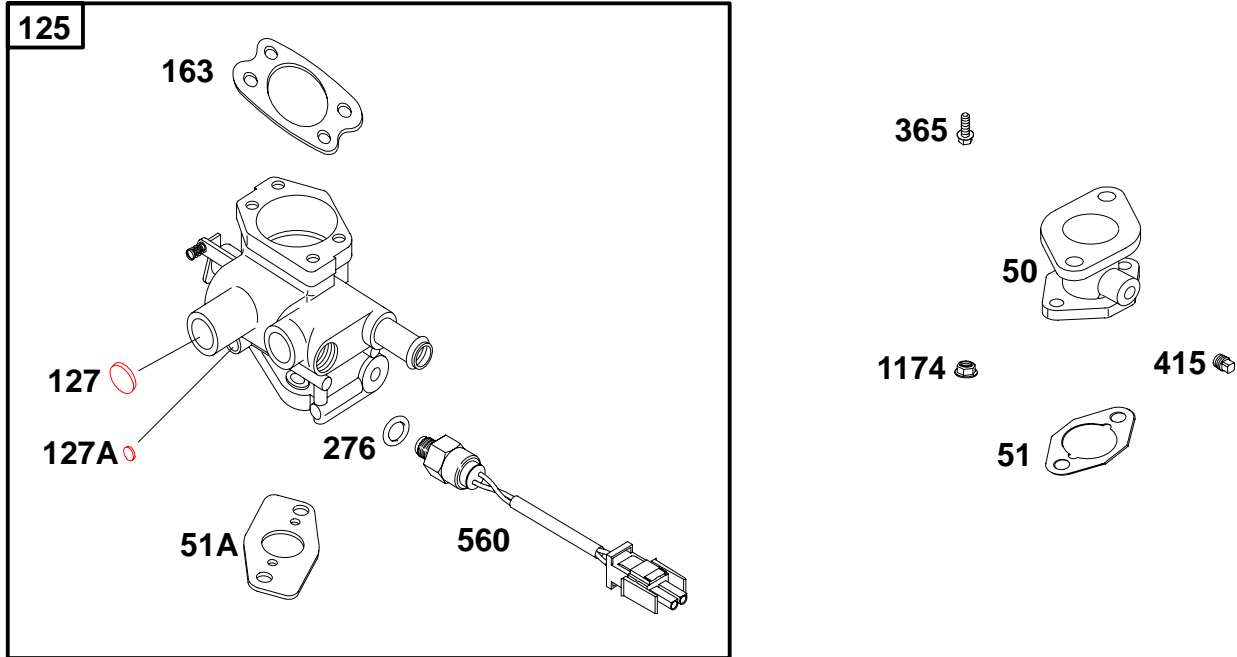


REF. NO.	PART NO.	DESCRIPTION	REF. NO.	PART NO.	DESCRIPTION	REF. NO.	PART NO.	DESCRIPTION
16	710963	Crankshaft (SAE Taper)	24	710037	Key-Flywheel	741	715643	Gear-Timing (Spur Gear)
			598	710212	Shim-End Play			

★ Included in Engine Gasket Set-Ref. No. 358.

. Δ Included in Valve Gasket Kit-Ref. No.1095

184400 to 184499

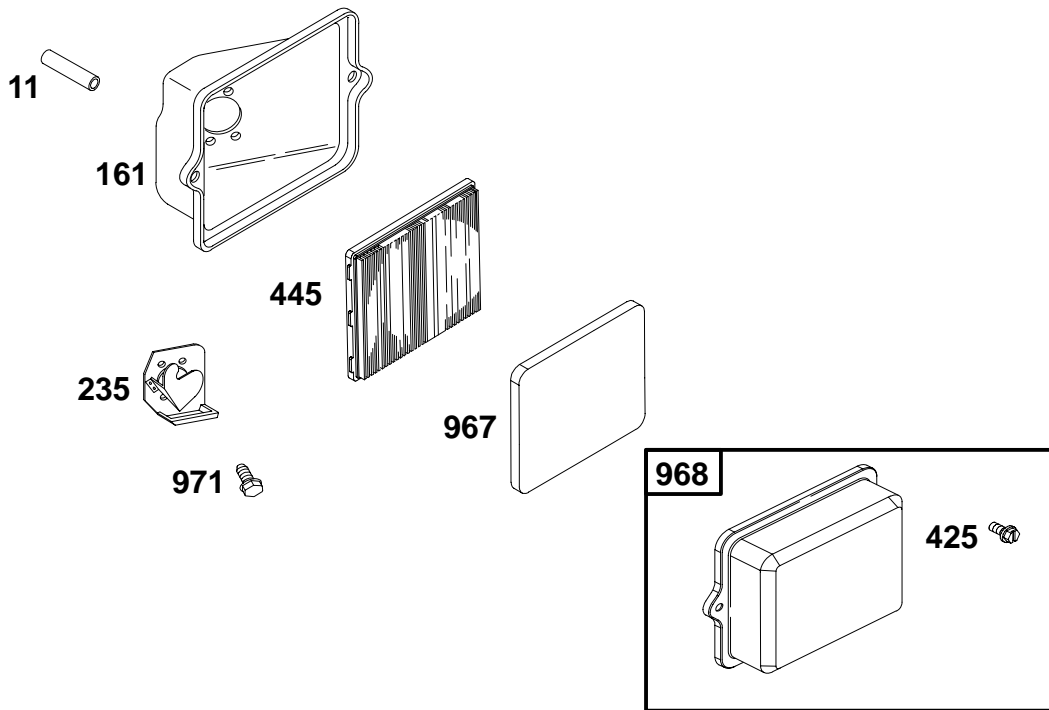


REF. NO.	PART NO.	DESCRIPTION	REF. NO.	PART NO.	DESCRIPTION	REF. NO.	PART NO.	DESCRIPTION
50	711011	Manifold-Intake	127A	806460	Plug-Welch	415	690283	Plug (Intake Manifold)
51	Δ*710235	Gasket-Intake	163	Δ*692081	Gasket-Air Cleaner	560	808693	Switch-LP/NG Fuel
51A	Δ*806457	Gasket-Intake	276	806998	Washer-Sealing (LP/NG Fuel Switch)	1174	710068	Nut (Intake Manifold)
125	715772	Carburetor	365	711012	Screw (Carburetor)			
127	694916	Plug-Welch						

* Included in Engine Gasket Set-Ref. No. 358.

Δ Included in Valve Gasket Kit-Ref. No.1095

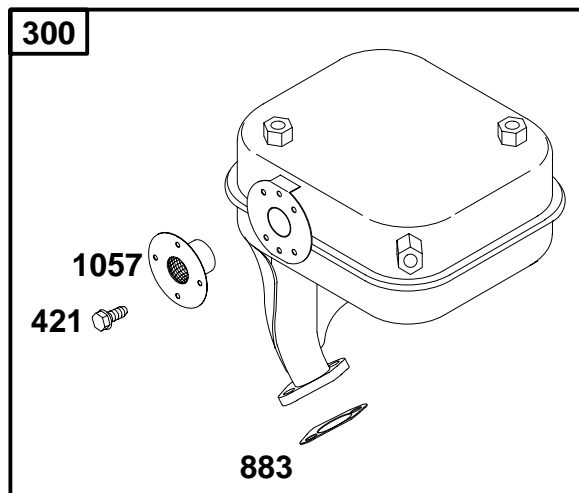
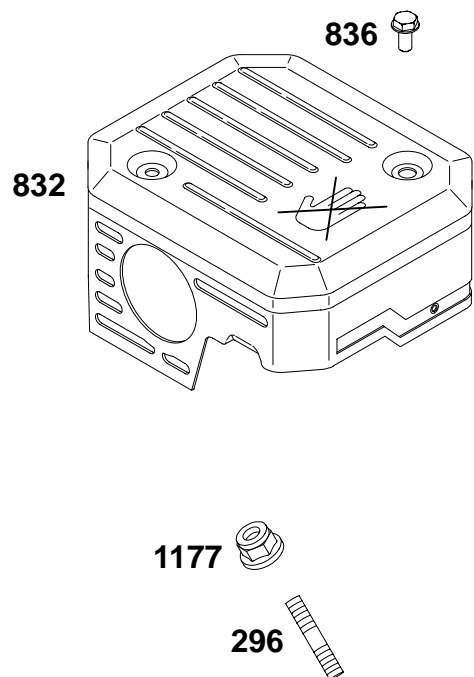
184400 to 184499



REF. NO.	PART NO.	DESCRIPTION	REF. NO.	PART NO.	DESCRIPTION	REF. NO.	PART NO.	DESCRIPTION
11	710815	Tube-Breather	425	694515	Screw (Air Cleaner Cover)	967	491435	Filter-Pre Cleaner
161	711009	Base-Air Cleaner (Metal)	445	491588	Filter-Air Cleaner Cartridge	968	692321	Cover-Air Cleaner
235	711010	Shield-Fuel Spray				971	710057	Screw (Air Cleaner Base)

★ Included in Engine Gasket Set-Ref. No. 358.

. Δ Included in Valve Gasket Kit-Ref. No.1095

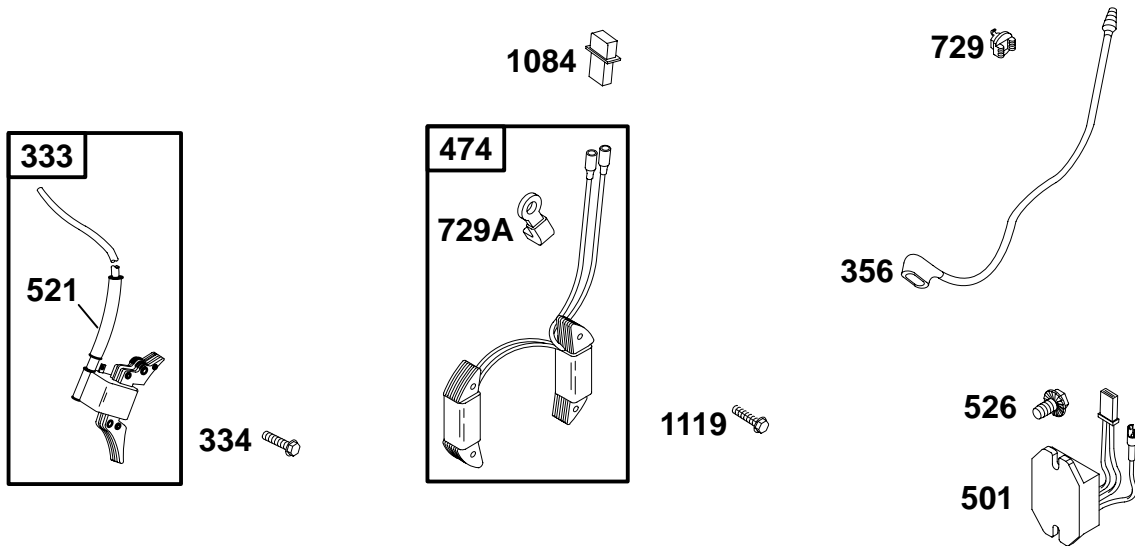


REF. NO.	PART NO.	DESCRIPTION	REF. NO.	PART NO.	DESCRIPTION	REF. NO.	PART NO.	DESCRIPTION
296	710099	Stud (Muffler)	832	710334	Guard-Muffler (High Mount)	1057	710331	Screen-Outlet
300	715523	Muffler (High Mount)	836	710074	Screw (Muffler Guard)	1177	710081	Nut (Muffler)
421	710307	Screw (Outlet Screen)	883	Δ★710250	Gasket-Exhaust			

★ Included in Engine Gasket Set-Ref. No. 358.

Δ Included in Valve Gasket Kit-Ref. No.1095

184400 to 184499

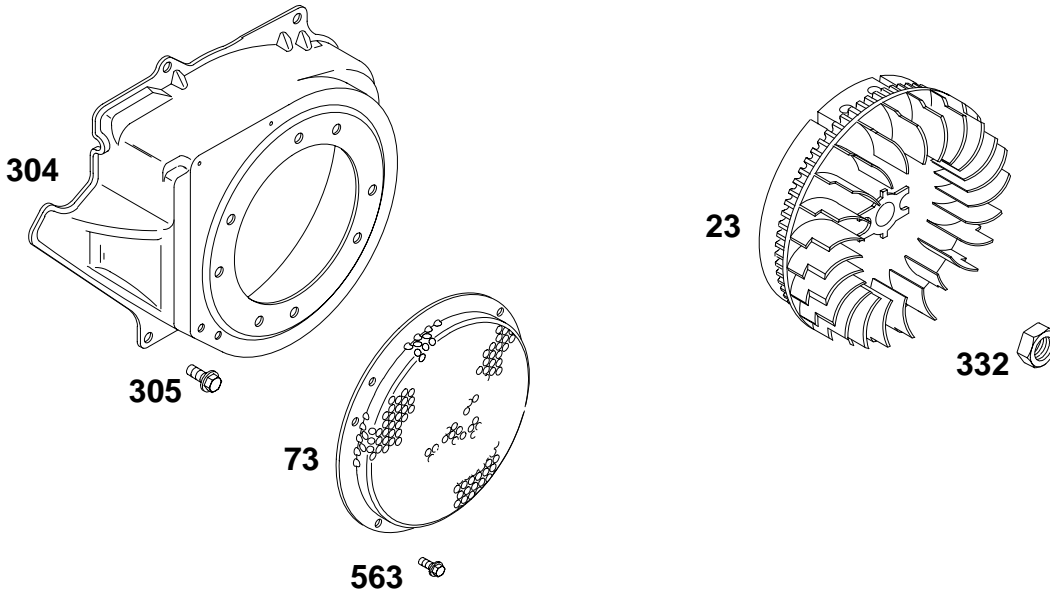


REF. NO.	PART NO.	DESCRIPTION	REF. NO.	PART NO.	DESCRIPTION	REF. NO.	PART NO.	DESCRIPTION
333	715192	Armature-Magneto	501	394890	Regulator	729A	710083	Clip-Wire
334	710047	Screw (Armature)	521	710045	Shield-Cable	1084	710386	Connector-Terminal
356	710931	Wire-Stop	526	710057	Screw (Regulator)	1119	710047	Screw (Alternator)
474	715194	Alternator	729	710046	Clip-Wire			

★ Included in Engine Gasket Set-Ref. No. 358.

. Δ Included in Valve Gasket Kit-Ref. No.1095

184400 to 184499



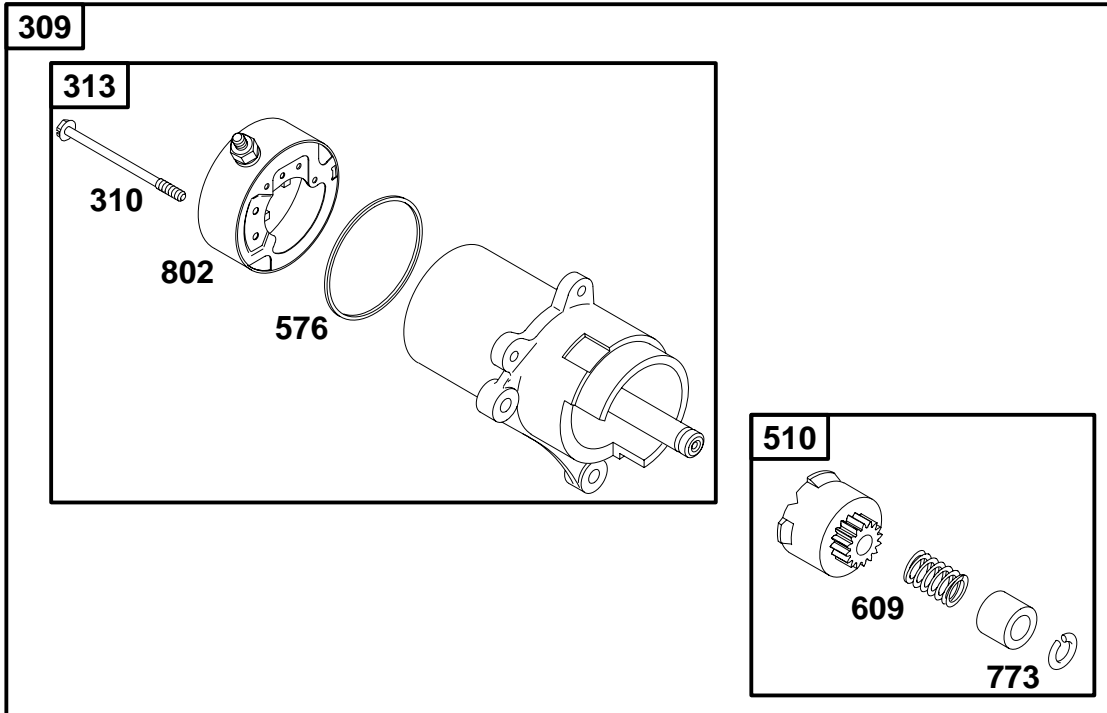
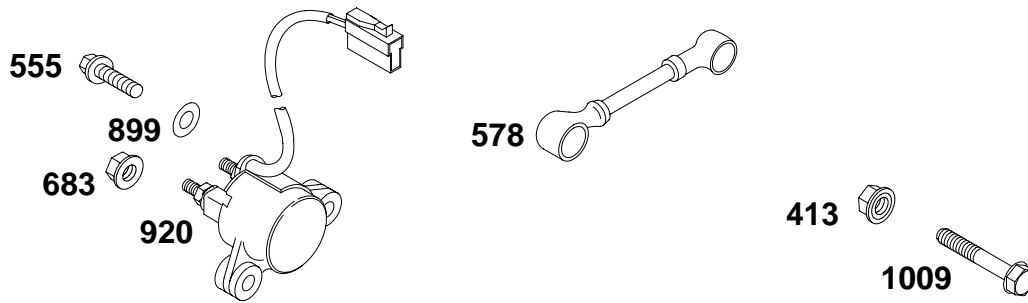
1036 EMISSIONS LABEL

REF. NO.	PART NO.	DESCRIPTION	REF. NO.	PART NO.	DESCRIPTION	REF. NO.	PART NO.	DESCRIPTION
23	715749	Flywheel	332	710345	Nut (Flywheel)	949	690475	Guard-Debris Screen
304	710346	Housing-Blower	563	710074	Screw (Debris Guard Screen)	1036	711008	Label-Emissions
305	710023	Screw (Blower Housing)						

★ Included in Engine Gasket Set-Ref. No. 358.

. Δ Included in Valve Gasket Kit-Ref. No.1095

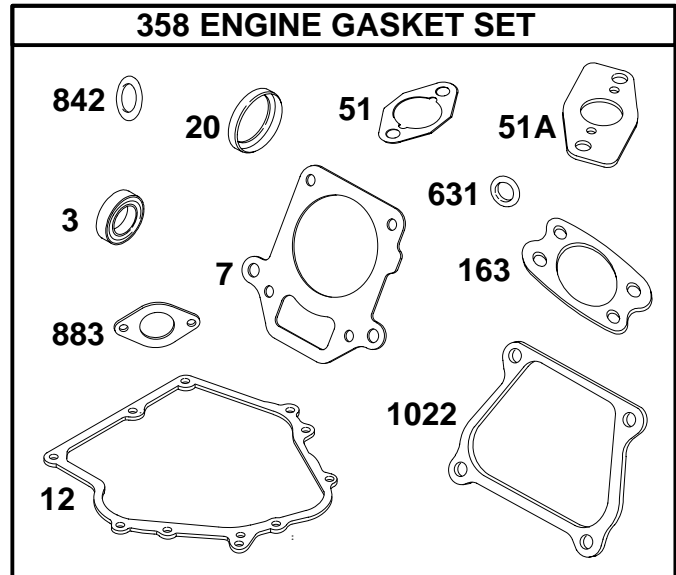
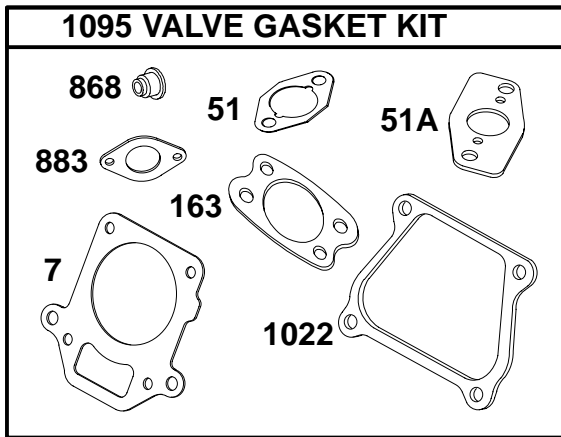
184400 to 184499



REF. NO.	PART NO.	DESCRIPTION	REF. NO.	PART NO.	DESCRIPTION	REF. NO.	PART NO.	DESCRIPTION
309	715413	Motor-Starter	576	710610	Seal-O Ring (Starter Sub Assembly)	802	715195	Cap-End (Includes Brush Set)
310	710354	Bolt (Starter Motor)	578	715198	Wire Assembly	899	710361	Washer (Starter Solenoid)
313	715408	Starter Sub Assembly	609	710357	Spring-Starter Drive	920	715197	Solenoid-Starter
413	710081	Nut (Starter Motor)	683	710362	Nut (Starter Solenoid)	1009	710348	Screw (Starter Motor)
510	715196	Drive-Starter	773	710359	Retainer			
555	710360	Screw (Starter Solenoid)						

★ Included in Engine Gasket Set-Ref. No. 358.

. Δ Included in Valve Gasket Kit-Ref. No.1095



REF. NO.	PART NO.	DESCRIPTION	REF. NO.	PART NO.	DESCRIPTION	REF. NO.	PART NO.	DESCRIPTION
3	★710000	Seal-Oil (Magneto Side)	51	Δ★710235	Gasket-Intake	842A	★710218	Seal-O Ring
7	Δ★710205	Gasket-Cylinder Head	51A	Δ★806457	Gasket-Intake	868	Δ710019	Seal-Valve
12	★710216	Gasket-Crankcase	163	Δ★806457	Gasket-Air Cleaner	883	Δ★710250	Gasket-Exhaust
20	★710215	Seal-Oil (PTO Side)	358	715778	Gasket Set-Engine	1022	Δ★710206	Gasket-Rocker Cover
			631	★710004	Washer (Oil Drain Plug)	1095	715777	Gasket Set-Valve

★ Included in Engine Gasket Set-Ref. No. 358.

Δ Included in Valve Gasket Kit-Ref. No.1095