

**161400 to 161499**

# Illustrated Parts List

## Vanguard™

### Model Series

# 161400 to 161499

#### TYPE NUMBERS

0010 through 0036,  
0040, 0041,  
0047, 0049, 0051,  
0070, 0073,  
0079 through 0085,  
0090, 0101,  
0110 through 0135,  
0199.

#### TO FIND

**THE CORRECT NUMBER OF THE PART YOU NEED:  
FOLLOW THE INSTRUCTIONS BELOW**

- A. Refer to Engine Model, Type and Code Number that is stamped on the blower housing of engine. Engine type numbers such as 0123 01 are listed only as 0123 in most instances. The two digits (01 or 02, etc.) to the right of the space may be required for more accurate parts identification in some instances. Select the Illustrated Parts List covering the correct Model Series and Type Number.
- B. Refer to the Illustrations and compare the original part with Illustration. The number next to the illustration is the Reference Number. Assemblies include all parts shown in frames. All parts shown in assembly frames having individual reference numbers can be purchased separately.
- C. After the Reference Number has been identified, refer to the Numerical text, where Reference and Primary Part Number are listed. **THE PRIMARY PART IS USED ON ALL TYPE NUMBERS EXCEPT THOSE TYPE NUMBERS UNDER "NOTE."**
- D. If a "Note" appears below the Primary Part Number, it means that this part differs from the Primary Part for certain types. If your Type number is listed under "Note," order the part referred to at the "Note."
- E. If your Engine Type Number does not appear after any part number listed under "Note," use the Primary Part Number.
- F. For Engine Type Numbers not covered by this book, check other Parts Lists having the same engine model or contact your source of supply.

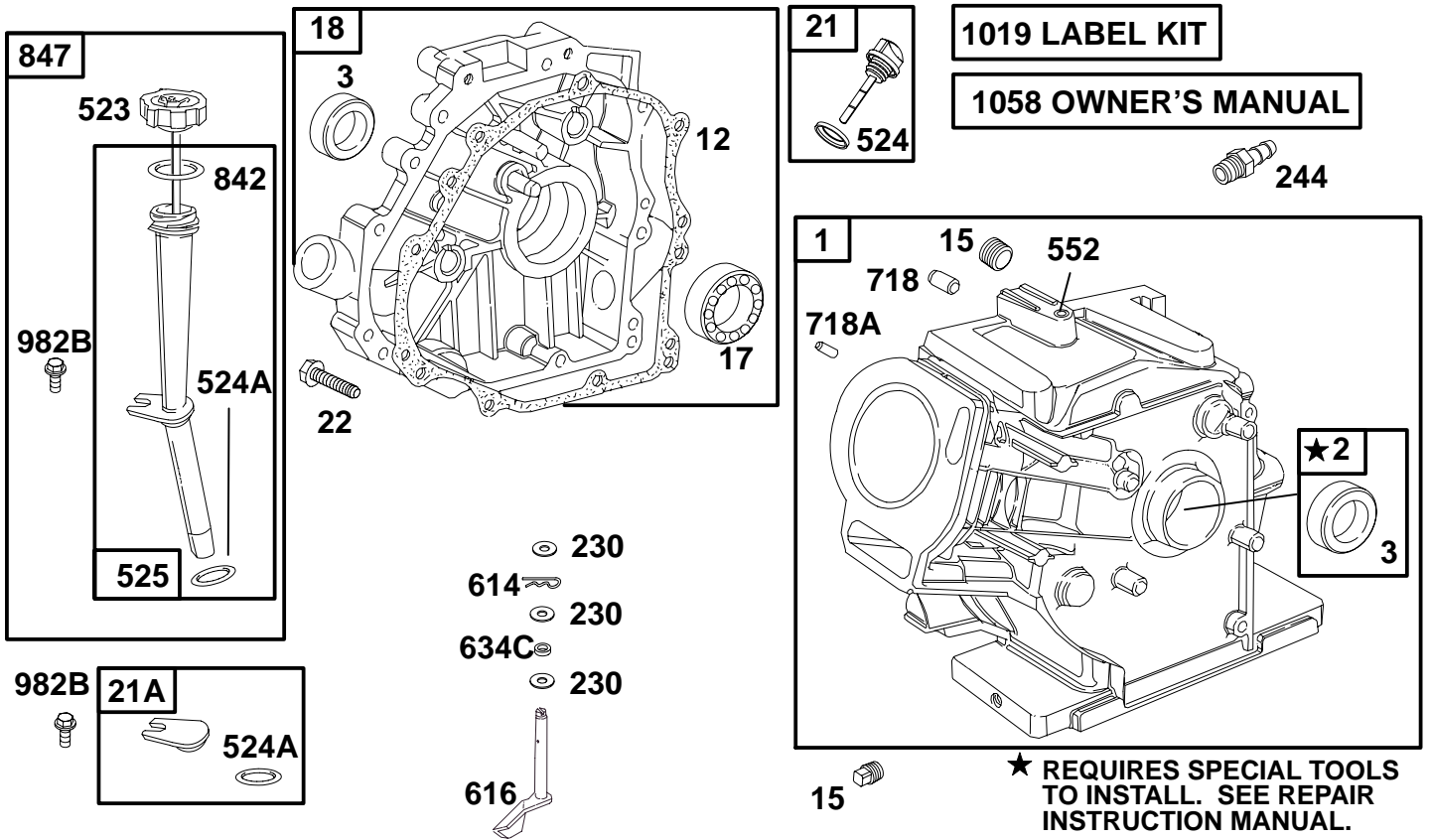
PRINTED IN U.S.A.

COPYRIGHT©

**BRIGGS & STRATTON**

®

# 161400 to 161499



REF. NO.	PART NO.	DESCRIPTION	REF. NO.	PART NO.	DESCRIPTION	REF. NO.	PART NO.	DESCRIPTION
1	491914	Cylinder Assembly			<b>Note</b>	552	231592	Bushing-Gov. Crank
2	491902	Bushing			67218	94424	Pin-Cotter	
3	★491500	Seal-Oil			Used on Type No(s).	616	491951	Crank-Governor
12	★272068	Gasket-Crankcase			0199.	634C	★491880	Seal-Oil
15	94379	Plug-Oil Drain				718	231589	Dowel-Sleeve
17	492255	Bearing-Ball				718A	230192	Dowel-Sleeve
18		Cover-Crankcase	523	491658	Dipstick	842	★270920	Seal-O-Ring
		<b>See Last Pages.</b>			<b>Note</b>			
21	491832	Plug-Oil Fill			495353			<b>Note</b>
21A	493668	Cap-Oil Fill			Used on Type No(s).			805386
22	810041	Screw-Sem			0199.			Seal-O-Ring
230	94423	Washer	524	★271983	Seal-Dipstick			Used on Type No(s).
244	230318	Connector-Hose	524A	★280854	Seal-O-Ring			0199.
			525	491659	Tube-Oil Fill			
					<b>Note</b>	847	491985	Dipstick/Tube Assy.
					495352	982B		Screw-Hex Head
					Used on Type No(s).			<b>See Last Pages.</b>
					0199.	1019	495134	Label Kit
						1058	272142	Owner's Manual

★ Included in Gasket Set-Part No. 491999.

△ Included in Valve Overhaul Kit-Part No. 495771.

● Included in Carburetor Kit-Part No. 492287.

○ Included in Carburetor Kit-Part No. 494839.

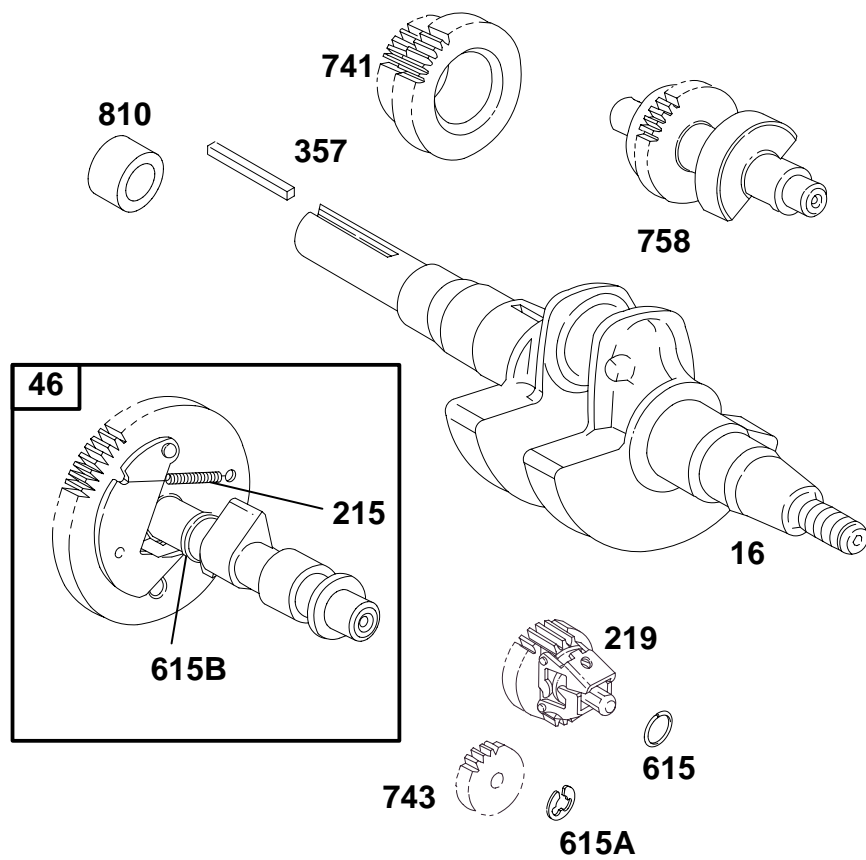
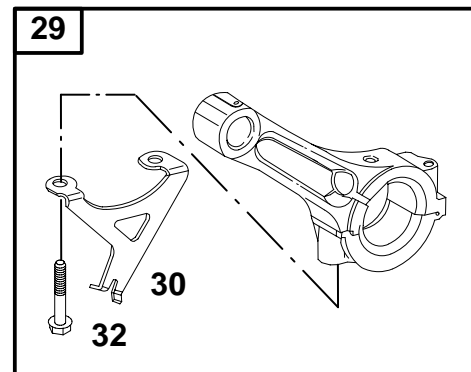
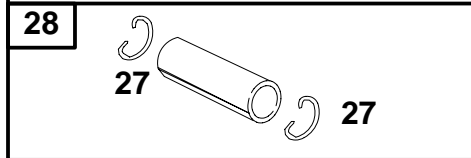
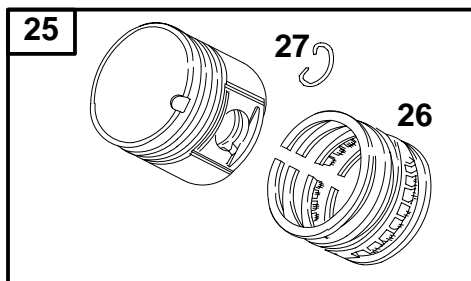
◆ Included in Carburetor Gasket Set-Part No. 492281.

9877-2

Assemblies include all parts shown in frames.

17

**161400 to 161499**

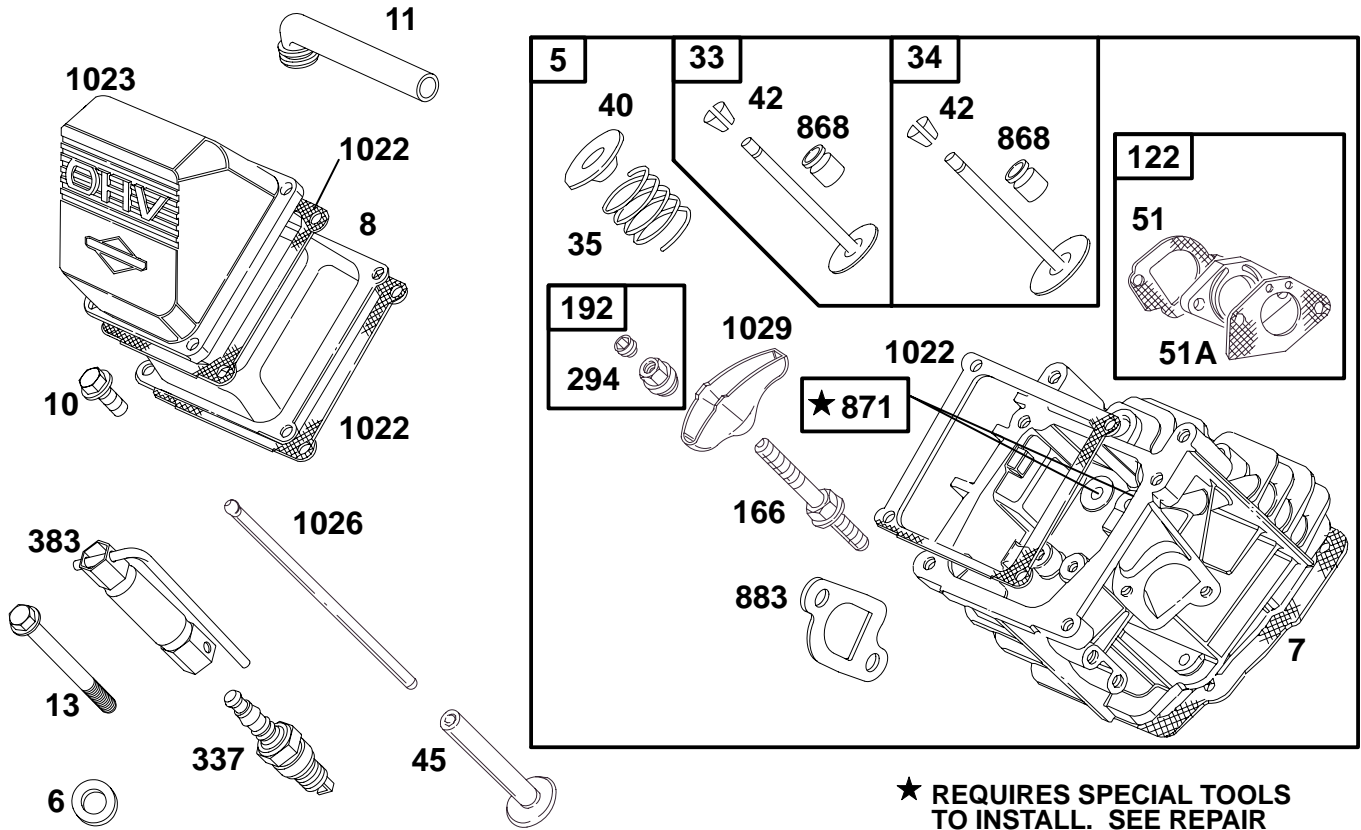


REF. NO.	PART NO.	DESCRIPTION	REF. NO.	PART NO.	DESCRIPTION	REF. NO.	PART NO.	DESCRIPTION
16	494368	Crankshaft <b>Note</b> For Timing Gear Key Order Part No. 94380. 494364 Crankshaft Used on Type No(s). 0023, 0024, 0025, 0031, 0084, 0085, 0111, 0113, 0131, 0133. 494365 Crankshaft Used on Type No(s). 0016, 0018, 0019, 0070, 0071, 0073, 0079, 0081, 0082, 0083, 0112, 0117, 0120, 0124, 0134. 494366 Crankshaft Used on Type No(s). 0010, 0047.		494367	Crankshaft Used on Type No(s). 0015, 0049, 0050, 0051.	29	491908	Rod-Connecting 492754 Rod-Connecting (.020" Undersize)
			25	491903	Piston Assembly (Standard)	30	223986	Dipper-Connecting Rod
				492709	Piston Assy. (.010" O.S.)	32	94327	Screw-Connecting Rod
				492710	Piston Assy. (.020" O.S.)	46	491387	Gear-Cam
				492711	Piston Assy. (.030" O.S.)	215	262454	Spring-Cam
			26	491905	Ring Set (Standard)	219	491909	Gear-Governor
				492712	Ring Set (.010" O.S.)	357	91540	Key-Drive Pulley
				492713	Ring Set (.020" O.S.)	377	91540	Key-Woodruff
				492714	Ring Set (.030" O.S.)	615	93898	Retainer
			27	262457	Lock-Piston Pin	615A	94372	Retainer
			28	491906	Pin-Piston	615B	94371	Retainer
						741	262435	Gear-Timing
						743	262437	Gear-Drive
						758	213430	Gear-Balancer
						810	231761	Extension-Crankshaft <b>Note</b> 231760 Extension-Crankshaft

★ Included in Gasket Set-Part No. 491999.  
 △ Included in Valve Overhaul Kit-Part No. 495771.  
 ● Included in Carburetor Kit-Part No. 492287.

○ Included in Carburetor Kit-Part No. 494839.  
 ◆ Included in Carburetor Gasket Set-Part No. 492281.

# 161400 to 161499



★ REQUIRES SPECIAL TOOLS TO INSTALL. SEE REPAIR INSTRUCTION MANUAL.

REF. NO.	PART NO.	DESCRIPTION	REF. NO.	PART NO.	DESCRIPTION	REF. NO.	PART NO.	DESCRIPTION
5	492362	Head-Cylinder	40	262381	Retainer-Valve	383	19374	Wrench-Spark Plug
6	94361	Washer	42	492231	Keeper-Valve	868	Δ*491020	Seal-Valve
7	Δ*272067	Gasket-Cylinder Head	45	262411	Tappet-Valve	871	262378	Bushing-Guide (Exhaust or Intake)
8	491237	Breather Assembly	51	Δ*272043	Gasket-Intake	883	Δ*272102	Gasket-Exhaust
10	810038	Screw-Hex.	51A	Δ*272069	Gasket-Intake	1022	Δ*272063	Gasket-Rocker Cover
11	280816	Tube-Breather	122	Δ491586	Spacer-Carburetor	1023	213332	Cover-Rocker
13	94358	Screw-Hex.	166	94342	Stud-Rocker Arm	1026	491233	Rod-Push
33	491910	Valve-Exhaust	192	491511	Nut-Rocker Arm	1029	223973	Arm-Rocker
34	491911	Valve-Intake	294	810045	Screw-Socket			
35	262415	Spring-Valve	337	491055	Plug-Spark			

★ Included in Gasket Set-Part No. 491999.

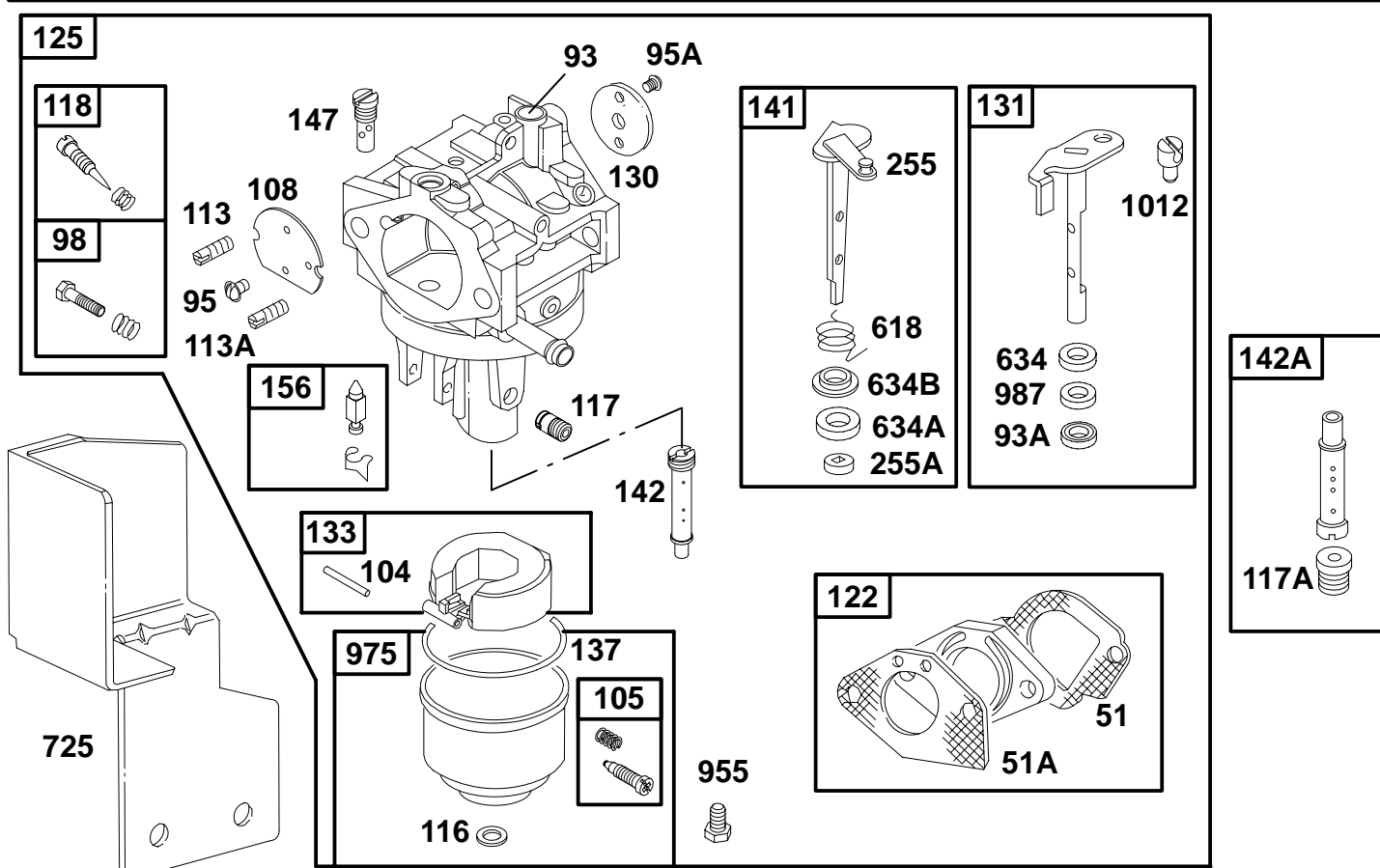
Δ Included in Valve Overhaul Kit-Part No. 495771.

● Included in Carburetor Kit-Part No. 492287.

○ Included in Carburetor Kit-Part No. 494839.

◆ Included in Carburetor Gasket Set-Part No. 492281.

161400 to 161499



REF. NO.	PART NO.	DESCRIPTION	REF. NO.	PART NO.	DESCRIPTION	REF. NO.	PART NO.	DESCRIPTION	
51	Δ*272043	Gasket-Intake	117A	●	Jet-Main (Sold in Kit and Ref. #142A). ———— <b>Note</b> ————	142A	●492324	Nozzle-Carburetor (Used With Bottom Jet Carburetor).	
51A	Δ*272069	Gasket-Intake			231667	Jet-Main (High Altitude)	147	Screw-Pilot Jet <b>See Last Pages.</b>	
93	○●280926	Bushing-Throttle Shaft (Upper)	118		118	Valve-Idle Adjust <b>See Last Pages.</b>	254	492274	Drain-Carb. Bowl
93A	○●280927	Bushing-Throttle Shaft (Lower)	122	Δ491586	122	Spacer-Carburetor	255	○●280958	Bushing-Choke Shaft (Upper)
95	94457	Screw-Rd. Hd.	125	491912	125	Carburetor ———— <b>Note</b> ————	255A	○●280910	Bushing-Choke Shaft (Lower)
95A	94466	Screw-Rd. Hd.			492907	Carburetor Used on Type No(s). 0080, 0085, 0110, 0134, 0199.	618	262560	Spring
98		Screw-Idle Speed <b>See Last Pages.</b>	130		130	Valve-Throttle <b>See Last Pages.</b>	634	○●◆	Washer-Throttle Shaft (Sold in Kit Only).
104	○●231652	Pin-Float Hinge	131	492284	131	Shaft-Throttle	634A	○●◆272184	Seal-Choke Shaft
105	○●492188	Valve-Needle	133	492283	133	Float-Carburetor	634B	○●224214	Washer
108	224219	Valve-Choke	137	○●◆	137	Gasket-Float Bowl (Sold in Kit Only).	725	224004	Shield-Heat
113		Nozzle-Carburetor <b>See Last Pages.</b>	141	492285	141	Shaft-Choke	955		Screw-Bowl Mtg. <b>See Last Pages.</b>
113A	○●231656	Jet-Pilot	142	○231763	142	Nozzle-Carburetor (Used With Side Jet Carburetor).	975	492286	Bowl Float
116	○●◆	Gasket-Sealing (Sold in Kit Only).					987	○●◆492172	Seal-Throttle Shaft
117	○231765	Jet-Main ———— <b>Note</b> ———— 231766					1012	280861	Retainer-Link
		Jet-Main (High Altitude)							

★ Included in Gasket Set-Part No. 491999.

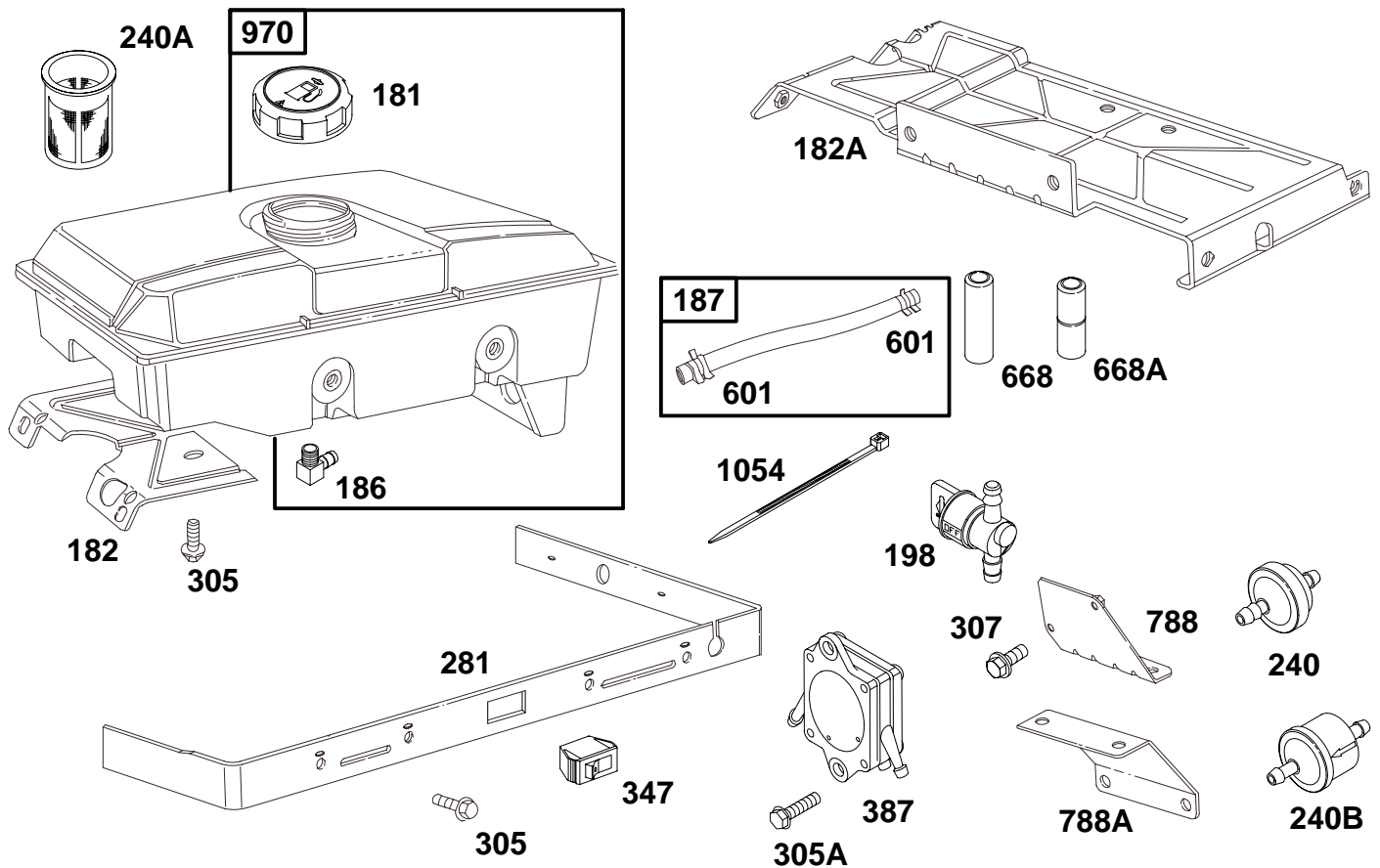
Δ Included in Valve Overhaul Kit-Part No. 495771.

● Included in Carburetor Kit-Part No. 492287.

○ Included in Carburetor Kit-Part No. 494839.

◆ Included in Carburetor Gasket Set-Part No. 492281.

### 161400 to 161499



REF. NO.	PART NO.	DESCRIPTION	REF. NO.	PART NO.	DESCRIPTION	REF. NO.	PART NO.	DESCRIPTION
181	491367	Cap–Fuel Tank	240B	493629	Filter–Fuel			Used on Type No(s). 0080.
182	224031	Bracket–Fuel Tank	281	224017	Bracket–Fuel Tank	788		Bracket–Pump <b>See Last Pages.</b>
182A	491660	Bracket–Support			<b>Note</b> 494709 Bracket–Fuel Tank	788A	224307	Bracket–Pump
		<b>Note</b>			Include(s):	970	491970	Tank–Fuel
		494734 Bracket–Support			493521 Switch–Rocker			<b>Note</b> 492906 Tank–Fuel
		Used on Type No(s). 0080.			Used on Type No(s). 0080.			Used on Type No(s). 0110.
186	280835	Connector–Hose	305	810038	Screw–Hex.			494802 Tank–Fuel
187	296004	Line–Fuel (Cut To Length)	307	94506	Screw–Hex.	1054	280275	Tie–Cable
		<b>Note</b>	347	493521	Switch–Rocker			
		296004 Line–Fuel (Cut To Length)	387	491922	Pump–Fuel			
198	494768	Valve–Shut-Off	601	93807	Clamp–Hose (Black)			
240	298090	Filter–Fuel			<b>Note</b>			
		<b>Note</b>			93053 Clamp–Hose (Green)			
		394358 Filter–Fuel	668	231813	Spacer			
		Used on Type No(s). 0110.			Used on Type No(s). 0080.			
240A	492044	Strainer–Fuel (In Tank)	668A	231814	Spacer			

★ Included in Gasket Set–Part No. 491999.

△ Included in Valve Overhaul Kit–Part No. 495771.

● Included in Carburetor Kit–Part No. 492287.

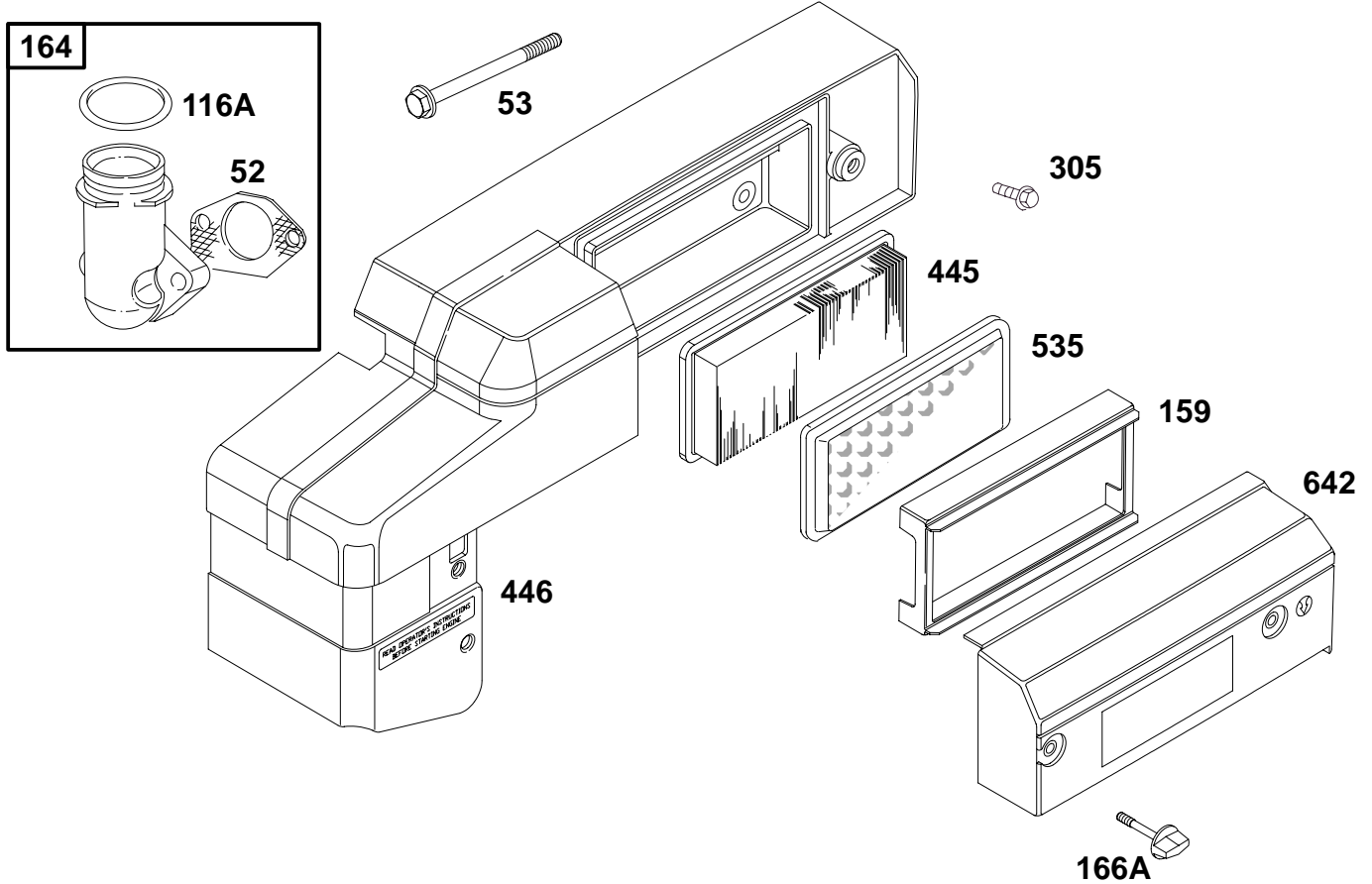
○ Included in Carburetor Kit–Part No. 494839.

◆ Included in Carburetor Gasket Set–Part No. 492281.

9877–6

Assemblies include all parts shown in frames.

**161400 to 161499**



REF. NO.	PART NO.	DESCRIPTION	REF. NO.	PART NO.	DESCRIPTION	REF. NO.	PART NO.	DESCRIPTION
52	★272070	Gasket-Intake	445	491384	Filter-Air	535	492889	Filter-Air
53	810044	Screw-Hex.	446	491107	Base-Air Cleaner	642	280804	Cover-Air Cleaner
116A	★280831	O-Ring			<b>Use(s):</b>			<b>Note</b>
159	280871	Retainer-Air Filter			94747			494928
164	491501	Manifold-Intake			<b>Note</b>			Cover-Air Cleaner
166A	491386	Screw-Wing			494927			Used on Type No(s). 0080.
305	810037	Screw-Hex.			Used on Type No(s). 0080.			
		<b>Note</b>						
		810103						
		Screw-Hex.						
		(Air Cleaner Bracket Mtg.)						
		Used on Type No(s). 0080.						

★ Included in Gasket Set-Part No. 491999.

△ Included in Valve Overhaul Kit-Part No. 495771.

● Included in Carburetor Kit-Part No. 492287.

○ Included in Carburetor Kit-Part No. 494839.

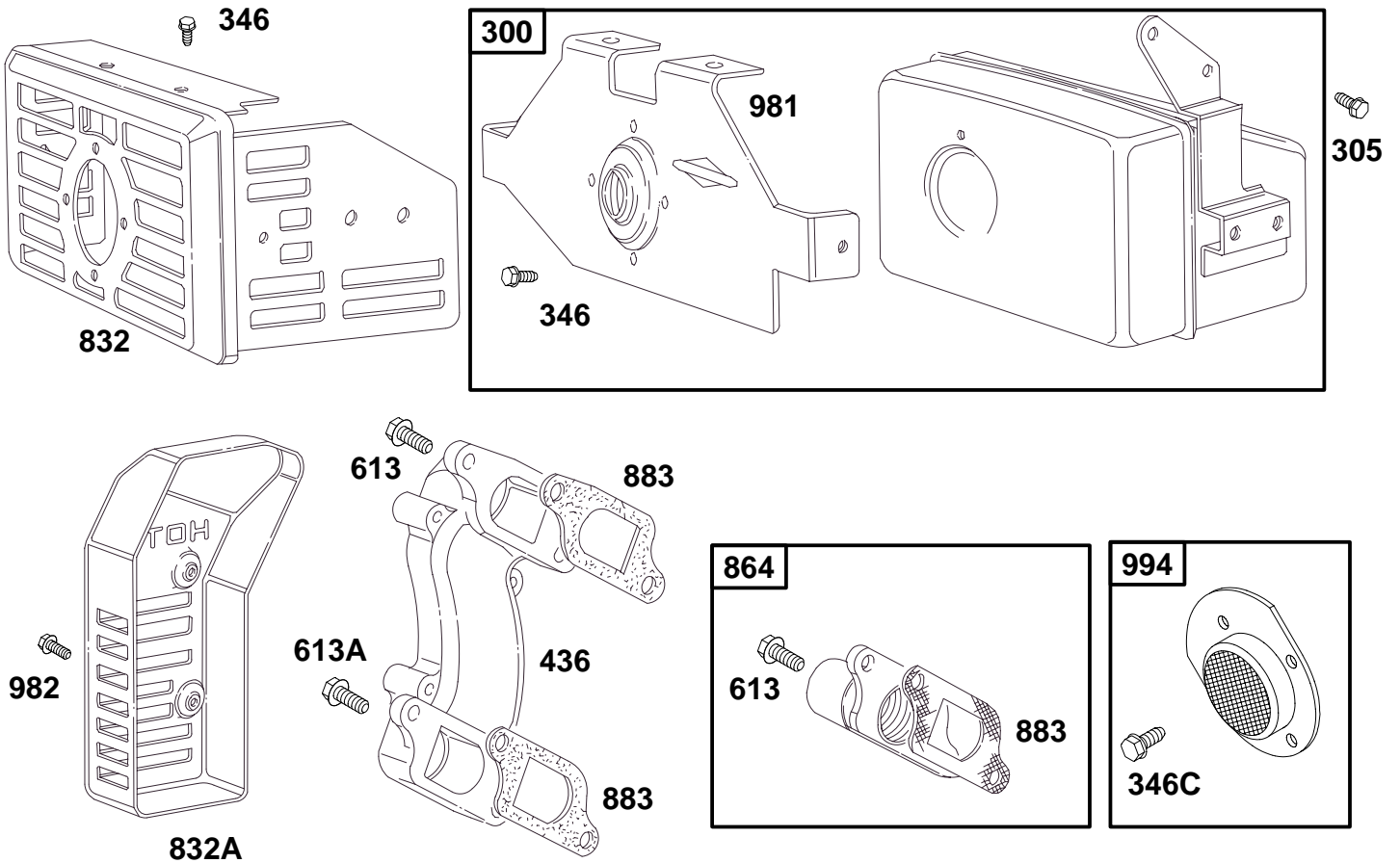
◆ Included in Carburetor Gasket Set-Part No. 492281.

9877-7

Assemblies include all parts shown in frames.

17

# 161400 to 161499



REF. NO.	PART NO.	DESCRIPTION	REF. NO.	PART NO.	DESCRIPTION	REF. NO.	PART NO.	DESCRIPTION
300	491512	Muffler-Exhaust	613	810040	Screw-Hex. Hd.	883	Δ*272102	Gasket-Exhaust
305	810037	Screw-Hex.	613A	810039	Screw-Hex. Hd.	981	224003	Bracket-Muffler
346	810079	Screw-Hex.	832	224568	Guard-Muffler	982	810036	Screw-Hex. Head
346C	94896	Screw-Sem	832A	224002	Guard-Manifold	994	399541	Arrester-Spark
436	213445	Manifold-Exhaust	864	491997	Adapter-Muffler			

★ Included in Gasket Set-Part No. 491999.

Δ Included in Valve Overhaul Kit-Part No. 495771.

● Included in Carburetor Kit-Part No. 492287.

○ Included in Carburetor Kit-Part No. 494839.

◆ Included in Carburetor Gasket Set-Part No. 492281.

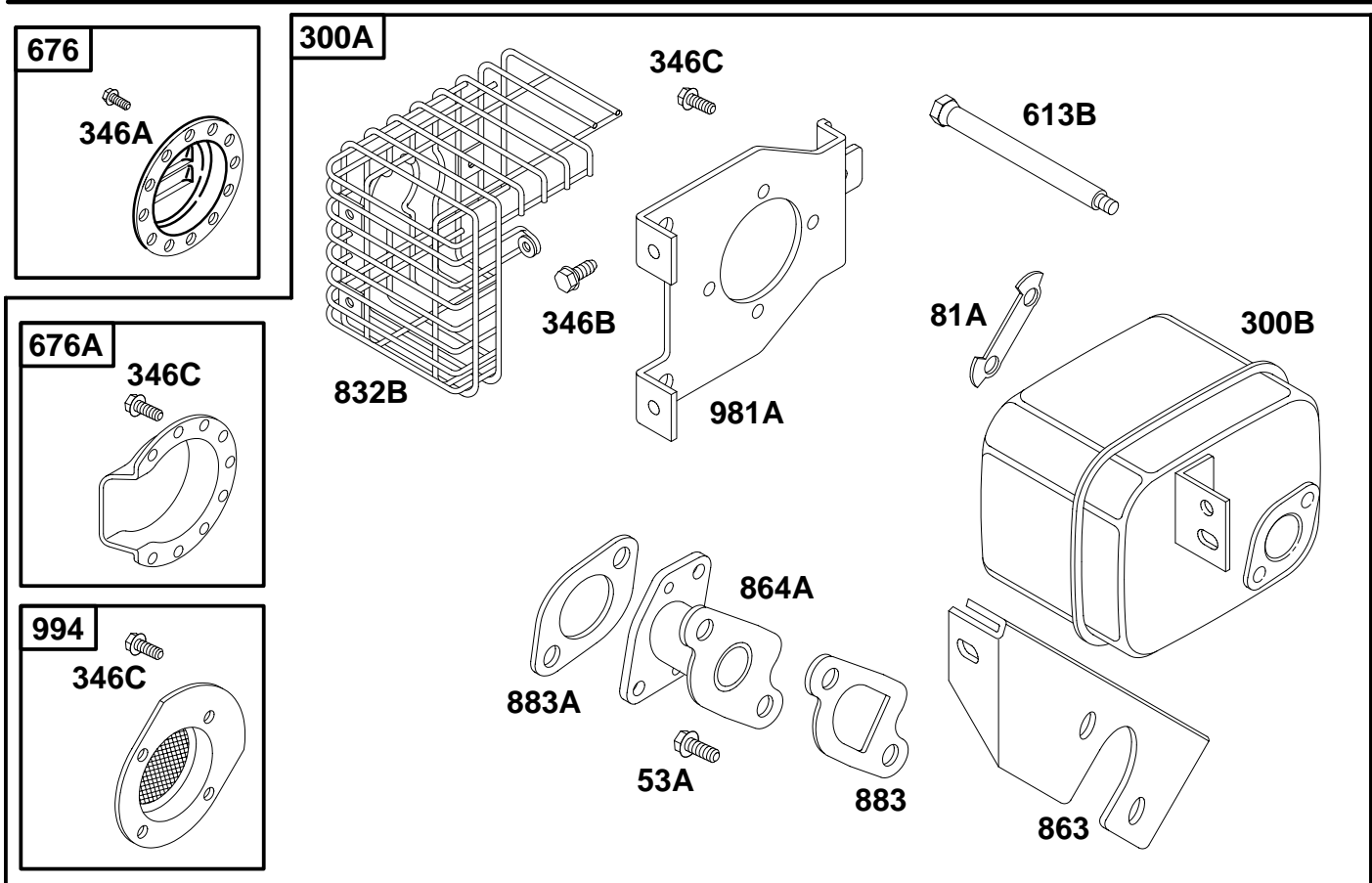
9877-8

Assemblies include all parts shown in frames.

17



**161400 to 161499**



REF. NO.	PART NO.	DESCRIPTION	REF. NO.	PART NO.	DESCRIPTION	REF. NO.	PART NO.	DESCRIPTION
53A	810069	Screw—Hex. Hd.	676	393758	Deflector—Muffler	864A	493585	Adapter—Muffler
81A	222263	Lock—Muffler Screw	676A	393757	Deflector—Muffler			Used on Type No(s).
300A	493522	Muffler—Exhaust	832B	494868	Guard—Muffler			0029, 0031, 0051,
300B	493584	Muffler—Exhaust	863	224423	Bracket—Muffler			0121, 0123.
346A	93705	Screw—Deflector			Used on Type No(s).	883	Δ*272102	Gasket—Exhaust
346B	94786	Screw—Hex. Hd.			0029, 0031, 0051,	883A	272309	Gasket—Exhaust
346C	93490	Screw—Deflector			0121.	981A	223373	Bracket—Muffler
613B	94054	Screw—Hex. Hd.				994	399541	Arrester—Spark

★ Included in Gasket Set—Part No. 491999.

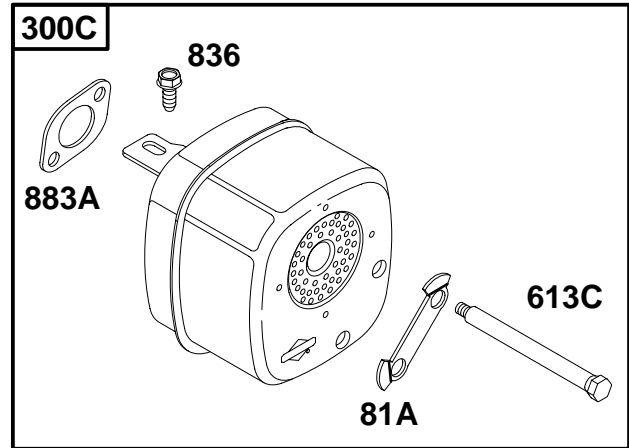
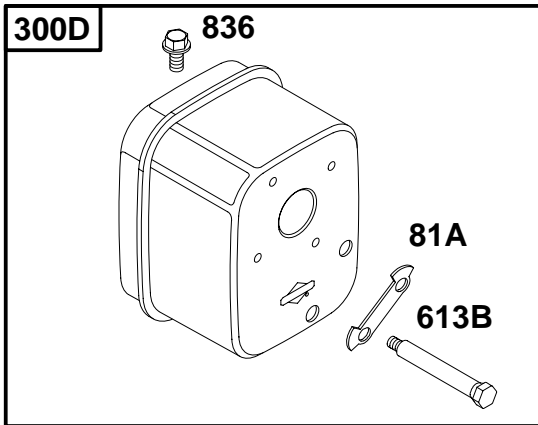
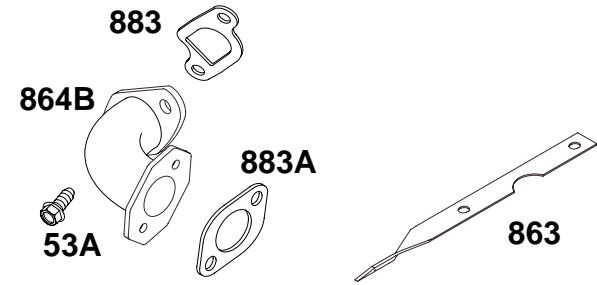
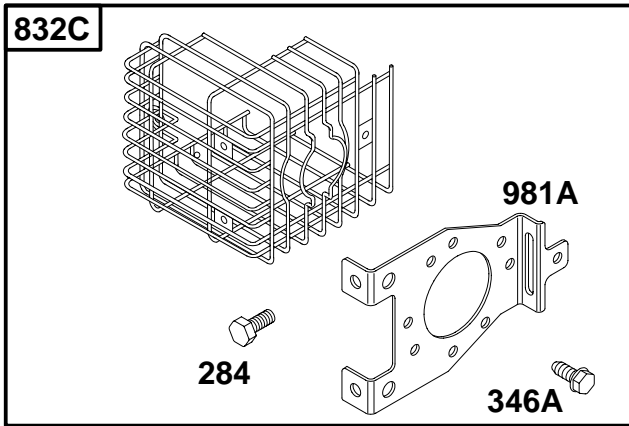
△ Included in Valve Overhaul Kit—Part No. 495771.

● Included in Carburetor Kit—Part No. 492287.

○ Included in Carburetor Kit—Part No. 494839.

◆ Included in Carburetor Gasket Set—Part No. 492281.

# 161400 to 161499



REF. NO.	PART NO.	DESCRIPTION	REF. NO.	PART NO.	DESCRIPTION	REF. NO.	PART NO.	DESCRIPTION
53A	810069	Screw-Hex.	346A	94896	Screw-Hex. Hd.	863	224594	Strap-Muffler
81A	222263	Lock-Muffler Screw	613B	94054	Screw-Shoulder	864B	213922	Adapter-Muffler
284	94602	Screw-Hex. Hd.	613C	94042	Screw-Shoulder	883	Δ*272102	Gasket-Exhaust
300C	391313	Muffler-Exhaust	832C	494868	Guard-Muffler	883A	272309	Gasket-Exhaust
300D	494221	Muffler-Exhaust	836	94874	Screw-Hex. Hd.	981A	223373	Bracket-Muffler

★ Included in Gasket Set-Part No. 491999.

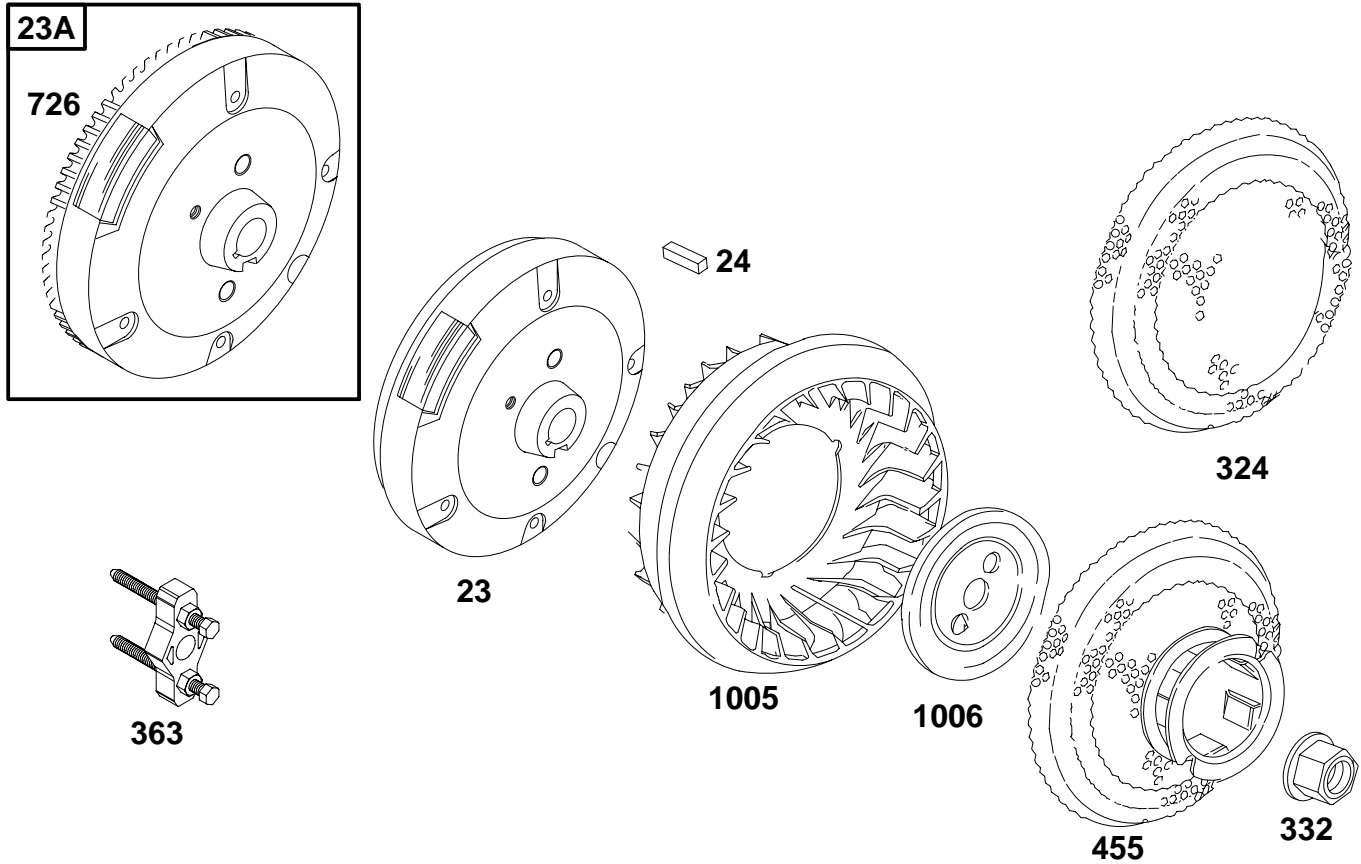
Δ Included in Valve Overhaul Kit-Part No. 495771.

● Included in Carburetor Kit-Part No. 492287.

○ Included in Carburetor Kit-Part No. 494839.

◆ Included in Carburetor Gasket Set-Part No. 492281.

**161400 to 161499**



REF. NO.	PART NO.	DESCRIPTION	REF. NO.	PART NO.	DESCRIPTION	REF. NO.	PART NO.	DESCRIPTION
23	491430	Flywheel	24	222698	Key—Flywheel	726	492007	Gear—Ring (Aluminum) (Includes Mtg. Parts)
23A	494641	Flywheel (9 Amp.)	324	224757	Screen—Rotating	1005	280803	Fan—Flywheel
		<b>Note</b> _____	332	810042	Nut—Flywheel	1006	223990	Retainer—Fan
		491310 Flywheel (10 Amp.) Used on Type No(s). 0117, 0120, 0131.	363	19203	Flywheel Puller			
			455	492043	Cup—Flywheel (No Longer Available, Use Ref. 608)			

★ Included in Gasket Set—Part No. 491999.

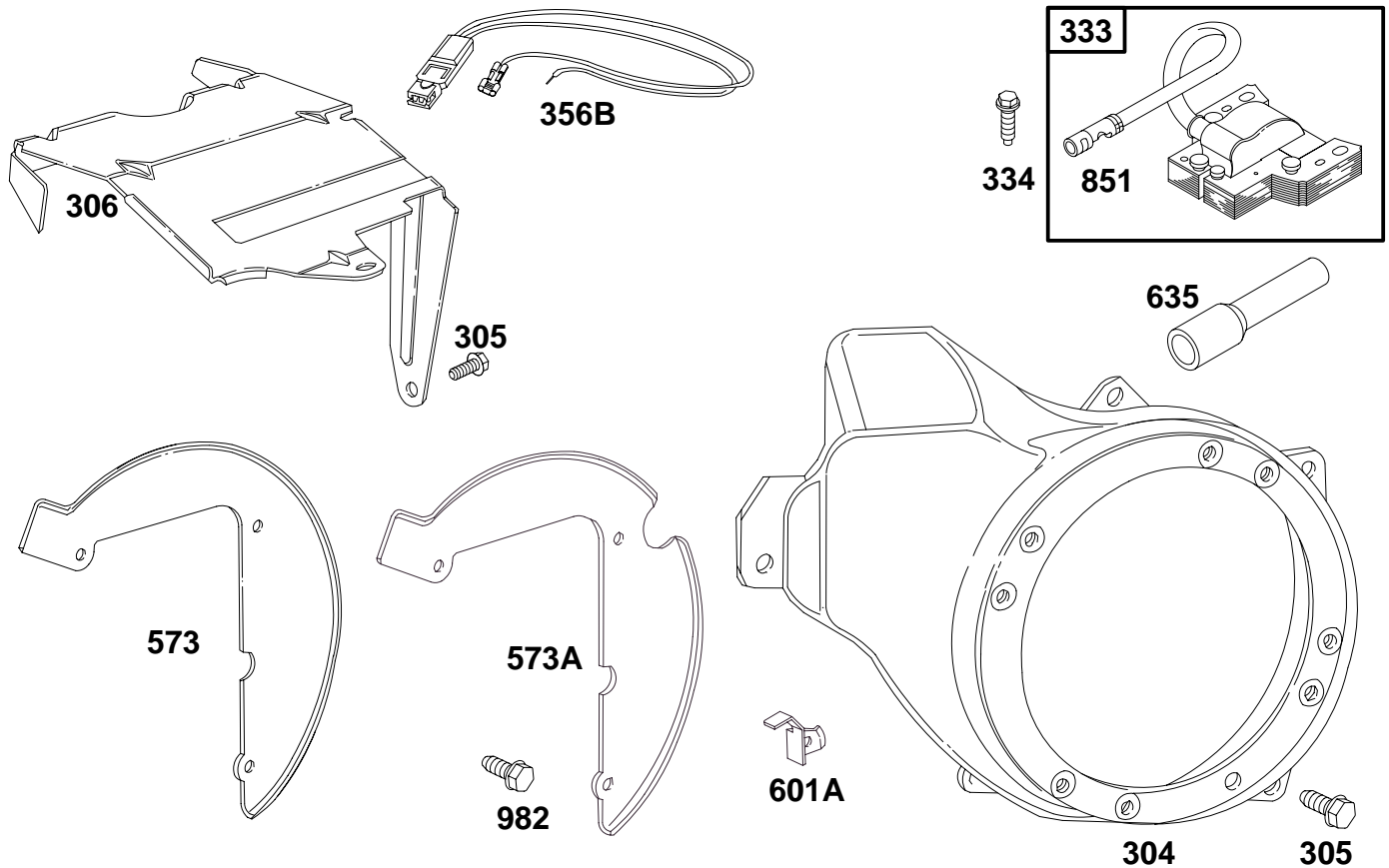
△ Included in Valve Overhaul Kit—Part No. 495771.

● Included in Carburetor Kit—Part No. 492287.

○ Included in Carburetor Kit—Part No. 494839.

◆ Included in Carburetor Gasket Set—Part No. 492281.

**161400 to 161499**



REF. NO.	PART NO.	DESCRIPTION	REF. NO.	PART NO.	DESCRIPTION	REF. NO.	PART NO.	DESCRIPTION
304	491827	Housing-Blower (Red, Rewind Only)	305	810037	Screw-Hex.	573	224158	Plate-Back (Rewind Start)
		<b>Note</b>	306	224015	Shield-Cylinder	573A	224092	Plate-Back (Electric Start)
	491915	Housing-Blower (Black, Rewind Only)	333	492341	Armature-Magneto	601A	224233	Clamp-Hose
	491992	Housing-Blower (Red, Electric)	334	810035	Screw-Hex.	635	280872	Boot-Spark Plug
	491993	Housing-Blower (Black, Electric)	356B	491668	Wire-Stop (Used Before Code Date 90010800).	851	224110	Terminal-Cable
					<b>Note</b>	982	810036	Screw-Hex.
					494328 Wire-Stop Used on Type No(s). 0199.			

★ Included in Gasket Set-Part No. 491999.





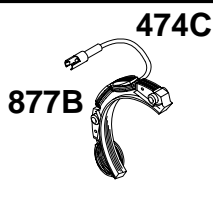
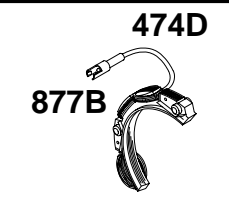
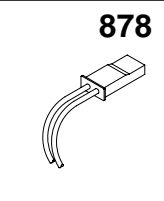
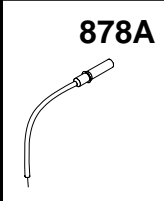
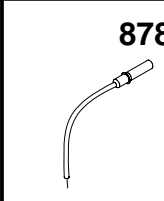
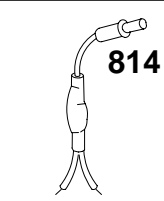
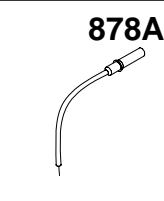
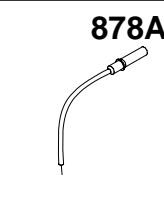
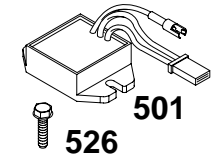
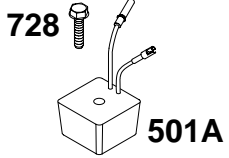
△ Included in Valve Overhaul Kit-Part No. 495771.

● Included in Carburetor Kit-Part No. 492287.

○ Included in Carburetor Kit-Part No. 494839.

◆ Included in Carburetor Gasket Set-Part No. 492281.

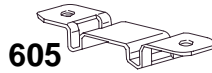
**161400 to 161499**

AC ONLY	DC ONLY	DUAL CIRCUIT	TRI-CIRCUIT	10 AMP	9 AMP
SEE FLYWHEEL ASSEMBLY	SEE FLYWHEEL ASSEMBLY	SEE FLYWHEEL ASSEMBLY	SEE FLYWHEEL ASSEMBLY	SEE NOTE UNDER FLYWHEEL ASSEMBLY	SEE FLYWHEEL ASSEMBLY
					
					
					

**NOTE: ALL STATORS USE NO. 482 MOUNTING SCREW.**



1084



605



841

REF. NO.	PART NO.	DESCRIPTION	REF. NO.	PART NO.	DESCRIPTION	REF. NO.	PART NO.	DESCRIPTION
474	393474	Alternator	501A	491546	Regulator	877	393456	Wire-Alternator
474A	393295	Alternator	526	810037	Screw-Hex.	877A	393537	Wire-Alternator
474B	392595	Alternator	605	224303	Bracket-Support	877B	393814	Wire-Alternator
474C	391529	Alternator	728	810050	Screw-Sem	878	393362	Harness-Alternator
474D	391595	Alternator	814	390867	Harness-Alternator	878A	393422	Harness-Alternator
482	810071	Screw-Hex.	841	393514	Clamp	1084	399916	Harness-Alternator
501	394890	Regulator						

★ Included in Gasket Set-Part No. 491999.

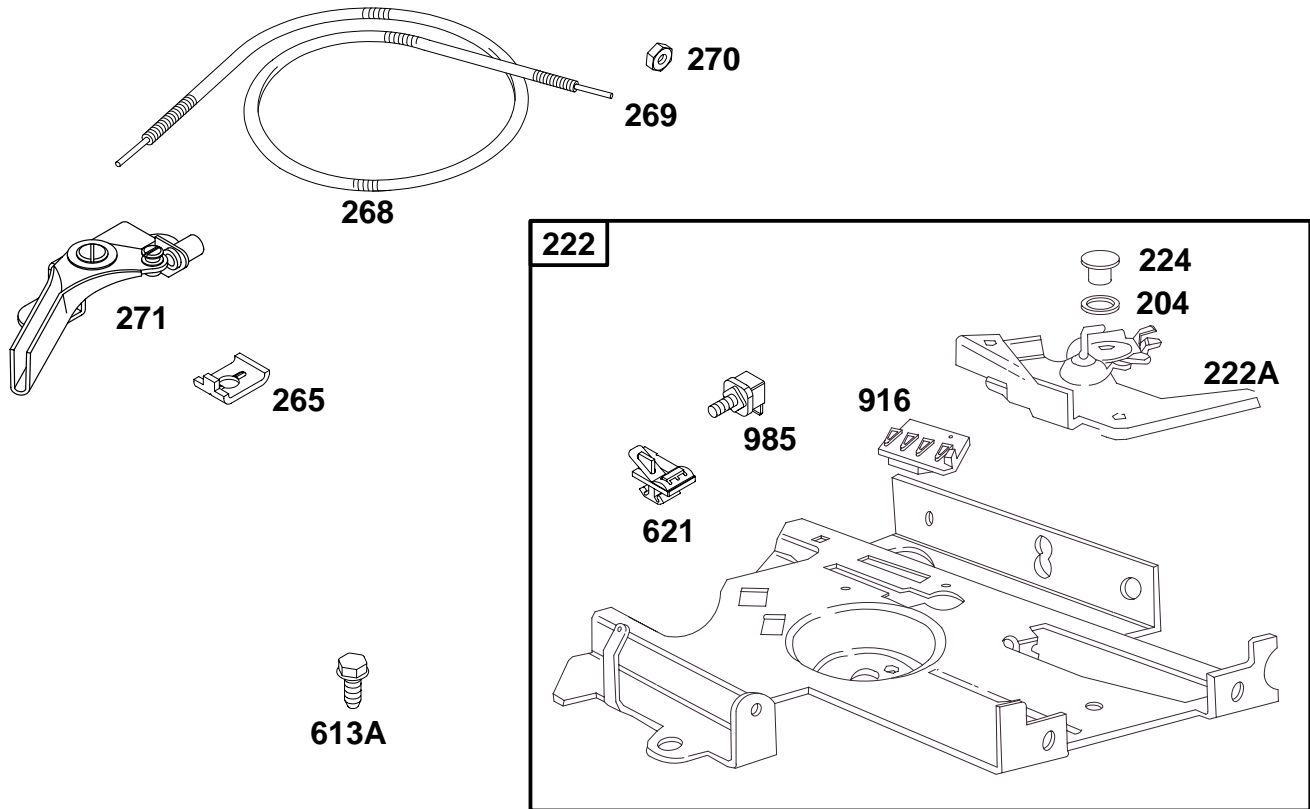
△ Included in Valve Overhaul Kit-Part No. 495771.

● Included in Carburetor Kit-Part No. 492287.

○ Included in Carburetor Kit-Part No. 494839.

◆ Included in Carburetor Gasket Set-Part No. 492281.

# 161400 to 161499



REF. NO.	PART NO.	DESCRIPTION	REF. NO.	PART NO.	DESCRIPTION	REF. NO.	PART NO.	DESCRIPTION
204	222962	Bushing—Lever	265	224070	Clamp—Casing	270	63426	Locknut—Casing
222	491726	Bracket—Control	268	65616	Casing—Wire	271	290568	Lever —Control
		<b>Note</b>			<b>Note</b>	613A	810039	Screw—Hex.
		494712 Bracket—Control			(Cut to Required Length.)	621	396847	Switch—Stop
		Used on Type No(s). 0080.	269	26633	Wire—Control	916	280846	Gear—Gov. Rack
222A	491879	Bracket—Control			<b>Note</b>	985	398525	Insulator
224	93491	Rivet			(Cut to Required Length.)			

★ Included in Gasket Set—Part No. 491999.

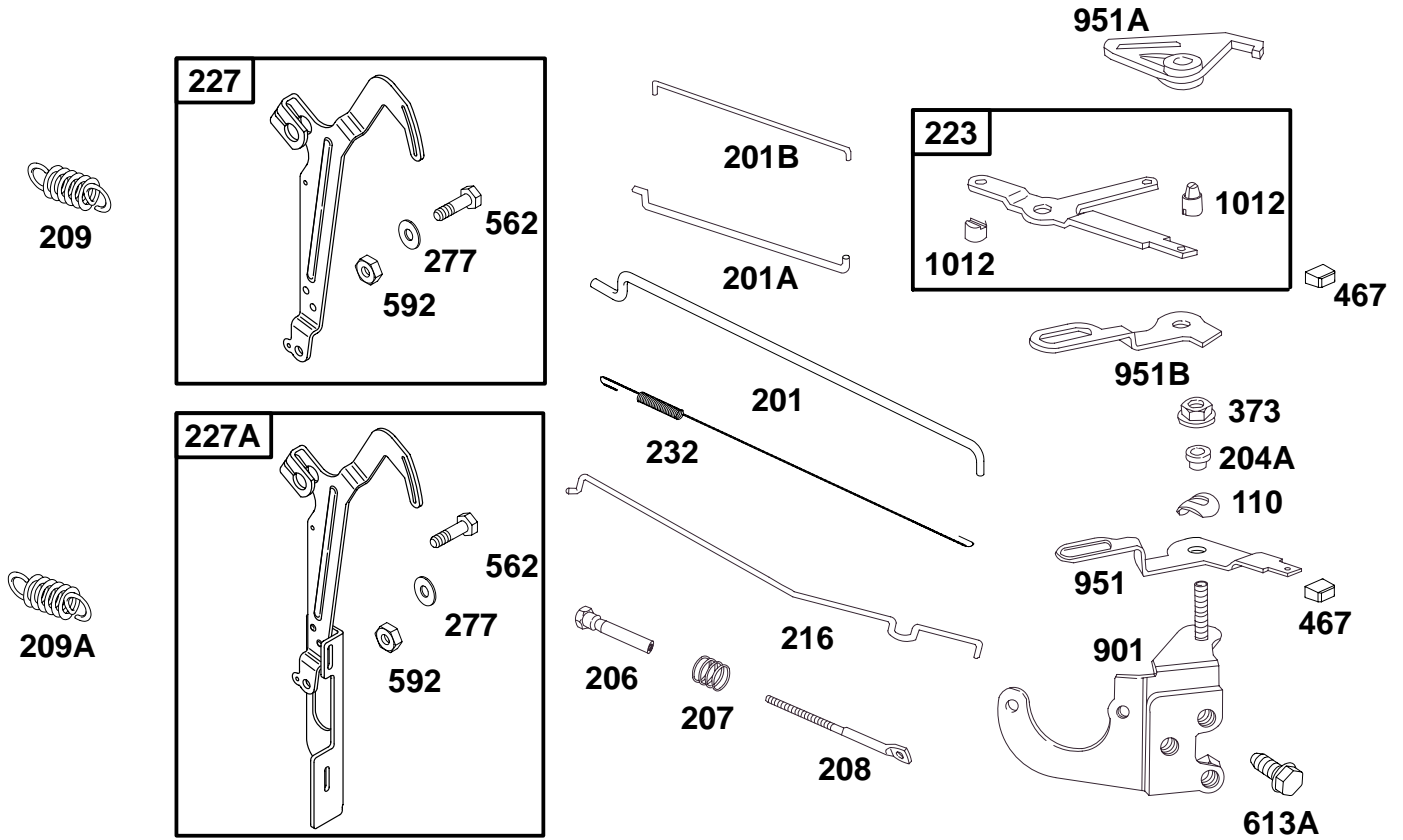
△ Included in Valve Overhaul Kit—Part No. 495771.

● Included in Carburetor Kit—Part No. 492287.

○ Included in Carburetor Kit—Part No. 494839.

◆ Included in Carburetor Gasket Set—Part No. 492281.

**161400 to 161499**



REF. NO.	PART NO.	DESCRIPTION	REF. NO.	PART NO.	DESCRIPTION	REF. NO.	PART NO.	DESCRIPTION	
110	94502	Washer-Spring				277	810017	Washer	
201	262475	Link-Mech. Gov.			262484	Spring-Gov.	373	810070	Nut-Hex.
201A	262476	Link-Gov.			Used on Type No(s).	0080.	467	280715	Knob
201B	262790	Link-Mech. Gov.	209A	262485	Spring-Governor Idle	562	810043	Bolt-Governor Lever	
204A	231690	Bushing-Lever	216	262518	Link-Choke	592	810011	Nut-Hex.	
206	231616	Nut	223	492118	Lever-Governor	613A	810039	Screw-Hex.	
207	26855	Spring-Control Rod			<b>Note</b>	901	496234	Bracket-Crank	
208	262477	Rod-Control			492119	Lever-Gov.	951	224035	Lever-Choke
209	262481	Spring-Governor			Used on Type No(s).	0110, 0111, 0131,	951A	280868	Lever-Choke
		<b>Note</b>			0133, 0135.	951B	224098	Lever-Choke	
		262480	227	491513	Lever-Governor			(Choke-A-Matic®)	
		Spring-Gov.	227A	494223	Lever-Governor	1012	280861	Retainer-Link	
		Used on Type No(s).	232	262530	Spring-Link				
		0020, 0024, 0032,			<b>Note</b>				
		0084, 0085, 0111,			805465	Spring-Link			
		0114, 0133, 0135.			Used on Type No(s).	0199.			
		262482							
		Spring-Gov.							
		Used on Type No(s).							
		0026.							
		262483							
		Spring-Gov.							
		Used on Type No(s).							
		0113, 0118, 0121.							

★ Included in Gasket Set-Part No. 491999.

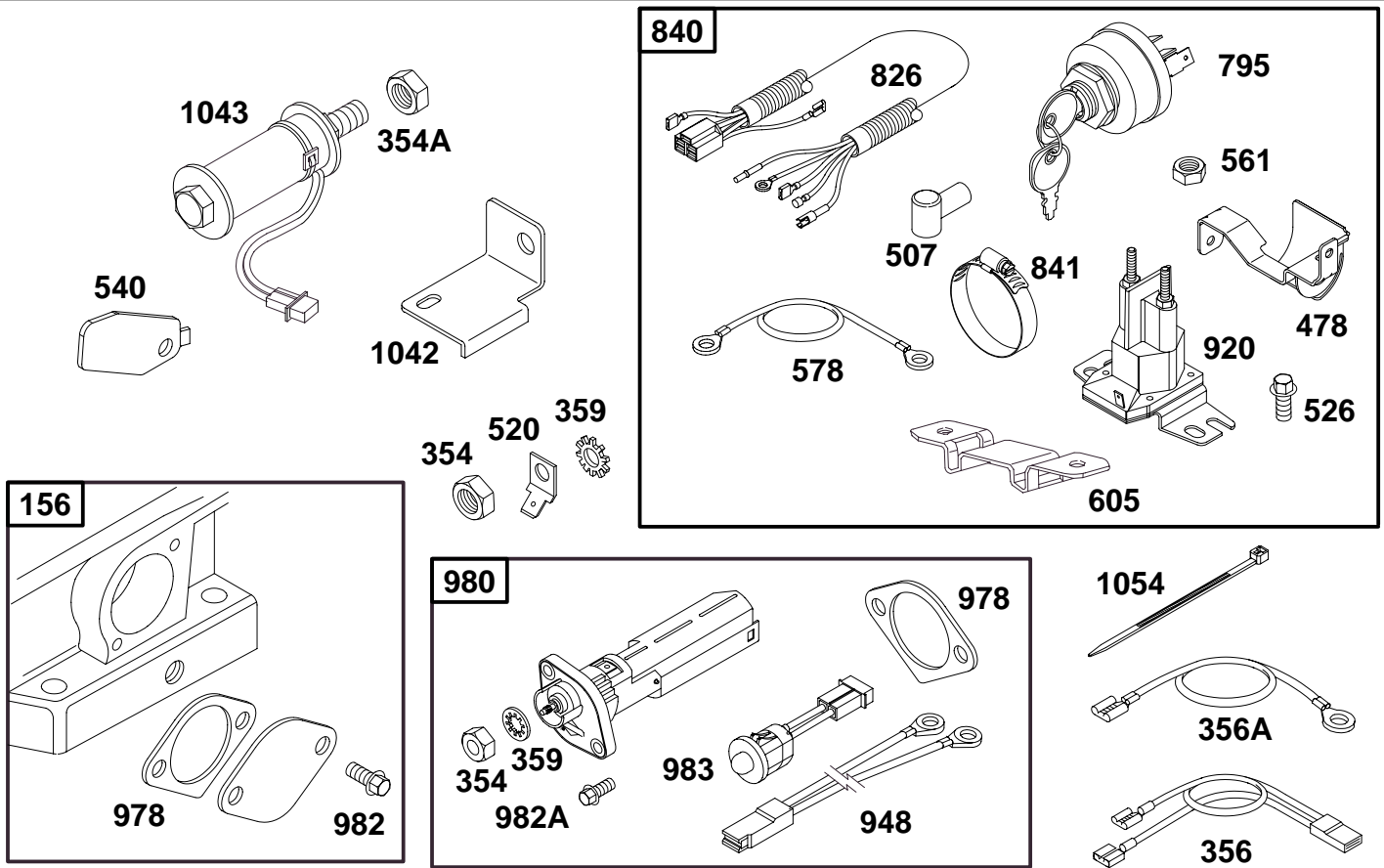
△ Included in Valve Overhaul Kit-Part No. 495771.

● Included in Carburetor Kit-Part No. 492287.

○ Included in Carburetor Kit-Part No. 494839.

◆ Included in Carburetor Gasket Set-Part No. 492281.

# 161400 to 161499



REF. NO.	PART NO.	DESCRIPTION	REF. NO.	PART NO.	DESCRIPTION	REF. NO.	PART NO.	DESCRIPTION
354	90576	Nut-Hex.	561	92278	Nut-Hex.	978	*271736	Gasket-Oil Switch
354A	810046	Nut-Hex.	578	494227	Wire Assembly	979	491835	Cover-Oil Gard®
356	493501	Wire-Stop (Used After Code Date 90010700).	605	224303	Bracket-Mounting	980	492697	Oil Gard® Kit
356A	493500	Wire-Stop Use With Wire Assy. No. 493501.	795	493625	Key-Switch	982	810036	Screw-Hex.
359	92791	Washer-Terminal	826	493986	Harness-Wiring	982A	94504	Screw-Hex.
478	224520	Panel	840	494535	Kit-Panel	<b>Use(s):</b>		
507	281223	Insulator	841	393514	Clamp	983	398660	Light-Indicator
520	93722	Terminal	920	807829	Solenoid-Starter	1042	224526	Bracket-Electro Magnet
526	810037	Screw-Regulator	948	492334	Harness-Wiring	1043	494232	Magnet-Electro
540	224618	Plate-Strike	<b>Note</b>			1054	280275	Tie-Cable
			495514 Harness- Wiring Used on Type No(s). 0199.					

★ Included in Gasket Set-Part No. 491999.

△ Included in Valve Overhaul Kit-Part No. 495771.

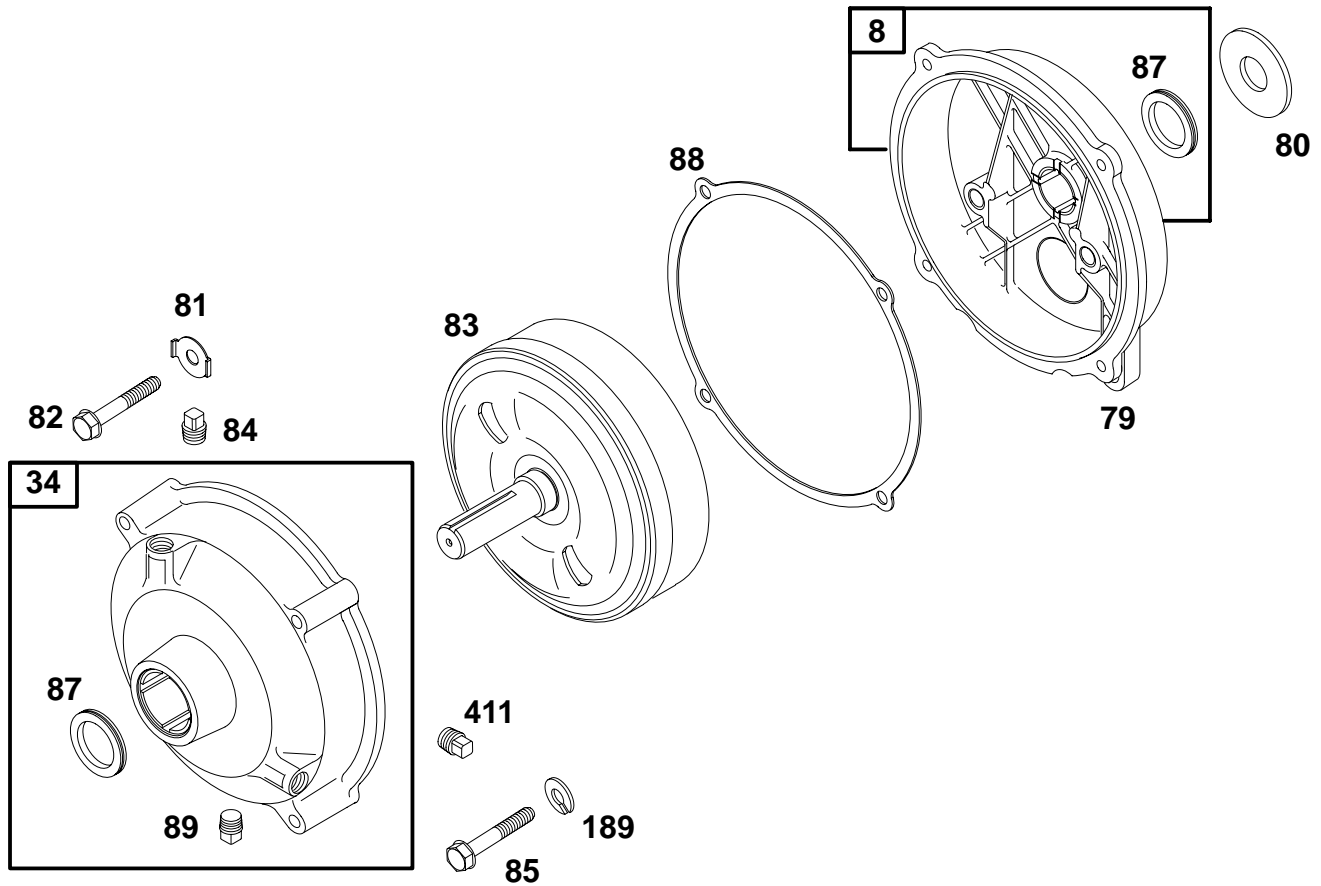
● Included in Carburetor Kit-Part No. 492287.

○ Included in Carburetor Kit-Part No. 494839.

◆ Included in Carburetor Gasket Set-Part No. 492281.



**161400 to 161499**



REF. NO.	PART NO.	DESCRIPTION	REF. NO.	PART NO.	DESCRIPTION	REF. NO.	PART NO.	DESCRIPTION
79	296179	Case-Reduction Gear	84	94685	Plug-Breather	88	27328	Gasket-Cover
80	27884	Gasket-Gear Case	85	91386	Screw-Hex.	89	91488	Plug-Oil
81	220234	Lock-Screw	86	296053	Cover Assy.-Gear	189	90366	Washer-Lock
82	92502	Screw-Hex.	87	391086	Seal-Oil	411	93448	Plug-Oil Drain
83	495985	Shaft Assembly-Drive						

★ Included in Gasket Set-Part No. 491999.

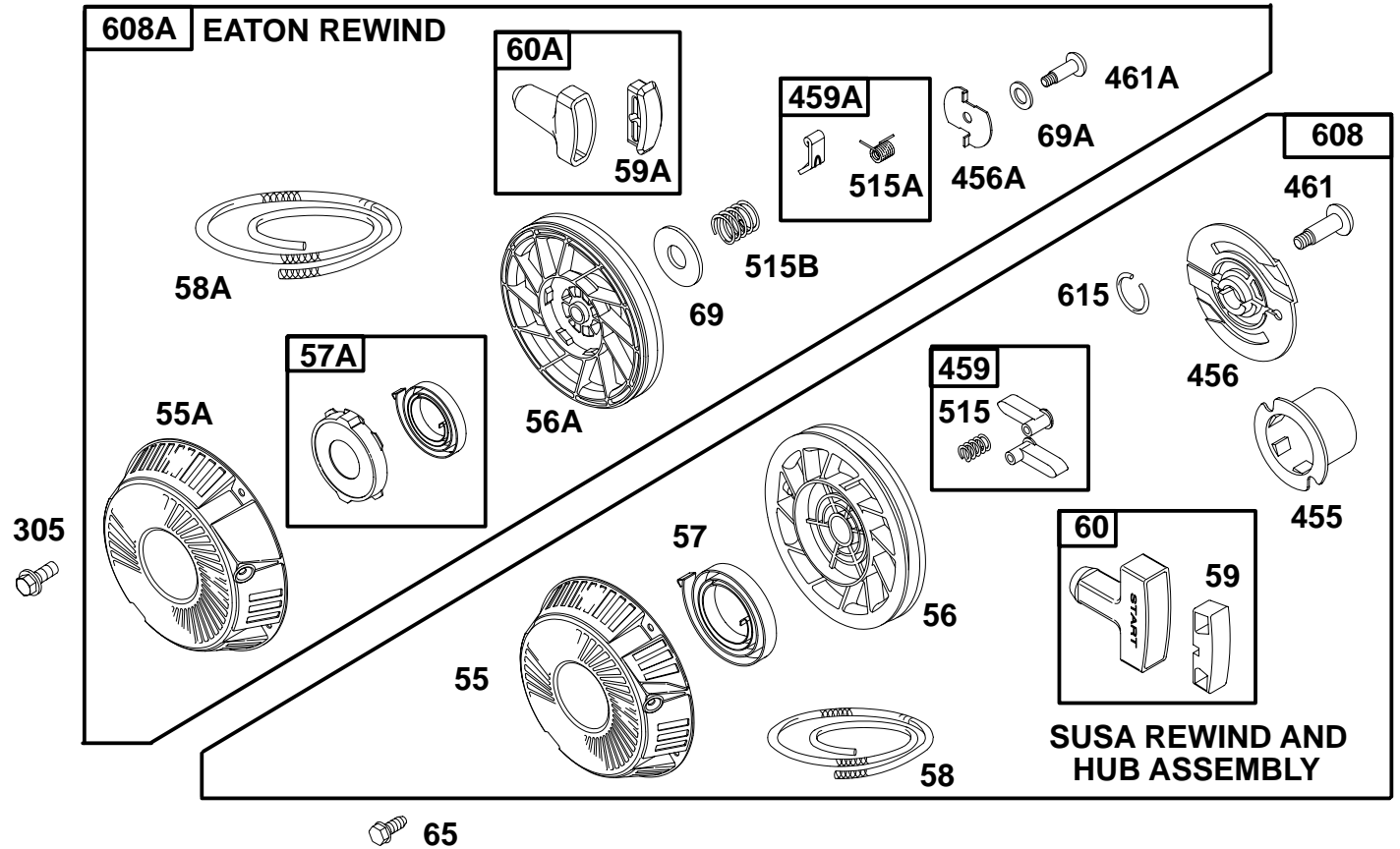
△ Included in Valve Overhaul Kit-Part No. 495771.

● Included in Carburetor Kit-Part No. 492287.

○ Included in Carburetor Kit-Part No. 494839.

◆ Included in Carburetor Gasket Set-Part No. 492281.

# 161400 to 161499



REF. NO.	PART NO.	DESCRIPTION	REF. NO.	PART NO.	DESCRIPTION	REF. NO.	PART NO.	DESCRIPTION
55	808186	Housing—Rewind Starter	58	66574	Rope—Starter (Cut to Required Length)	456A	224228	Retainer—Spring
55A	492193	Housing—Rewind Starter	59	805957	Insert—Grip	459	808166	Pawl—Ratchet
56	805949	Pulley—Starter	59A	490653	Insert—Grip	459A	492431	Pawl—Ratchet
56A	281235	Pulley—Starter	60	808167	Grip—Starter Rope	461	805955	Screw—Shoulder
57	805951	Spring—Rewind Starter	60A	490652	Grip—Starter Rope	515	805953	Spring—Pawl
57A	492194	Spring—Rewind Starter	65	710074	Screw—Hex.	515A	492833	Spring—Pawl
58A	66894	Rope—Starter (Cut To Required Length)	69	94464	Washer—Pulley	515B	262564	Spring—Torsion
			69A	94462	Washer—Retainer	608	715506	Starter—Rewind (Susa)
			305	810037	Screw—Sem	608A	494926	Starter—Rewind (Eaton)
			455	710721	Cup—Flywheel	615	805952	Retainer
			456	805954	Retainer—Spring			

★ Included in Gasket Set—Part No. 491999.

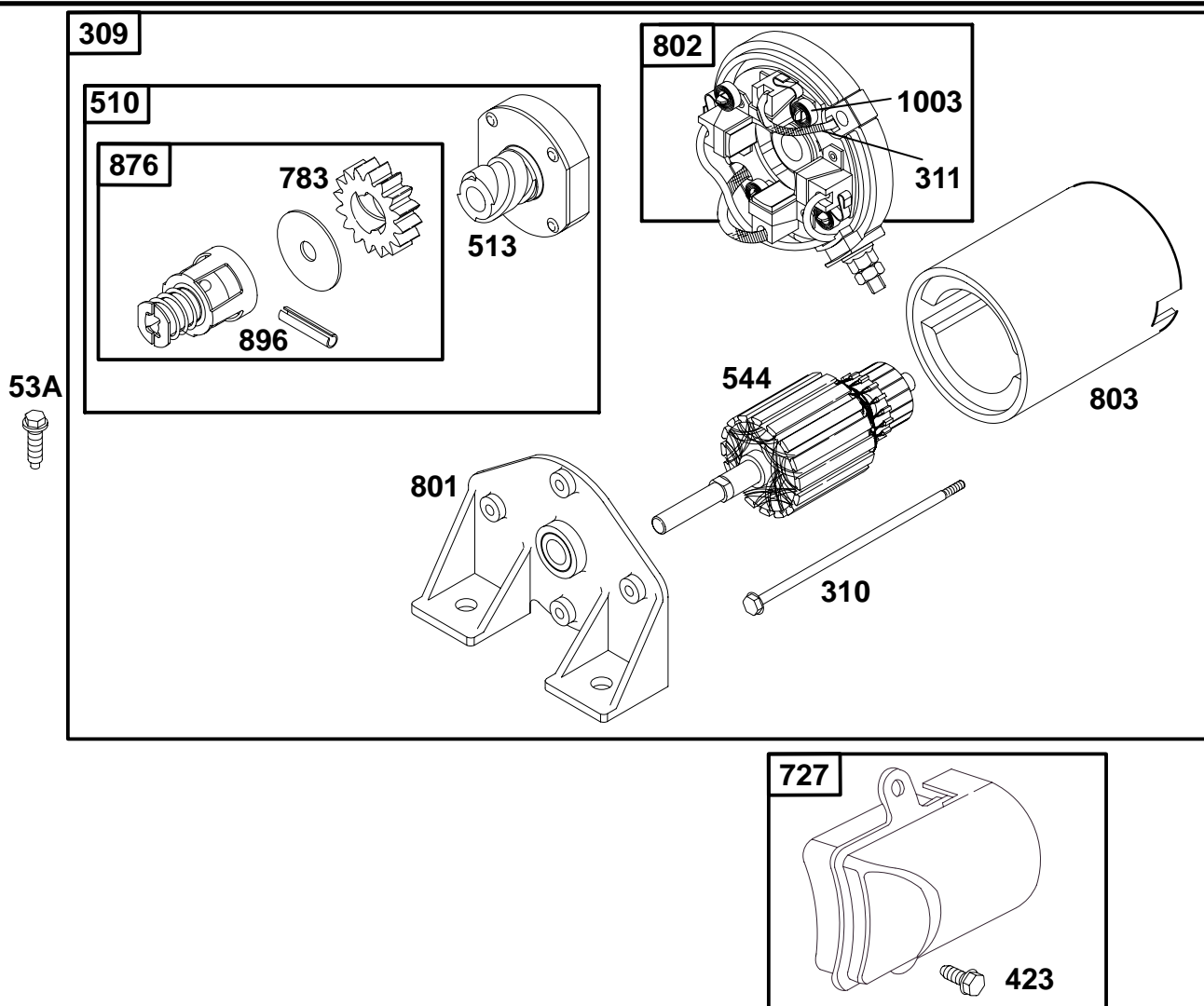
△ Included in Valve Overhaul Kit—Part No. 495771.

● Included in Carburetor Kit—Part No. 492287.

○ Included in Carburetor Kit—Part No. 494839.

◆ Included in Carburetor Gasket Set—Part No. 492281.

**161400 to 161499**



REF. NO.	PART NO.	DESCRIPTION	REF. NO.	PART NO.	DESCRIPTION	REF. NO.	PART NO.	DESCRIPTION
53A	810069	Screw-Hex. Flange	544	492357	Armature-Starter			<b>Note</b>
309	491334	Motor-Starter (12 Volt)	727	492698	Guard-Flywheel	803	399172	494988 Cap-End (For 4-3/8" Housing Length).
310	94169	Bolt-Thru (For 4-9/32" Housing Length).			<b>Note</b>			
		<b>Note</b>			495801 Guard-Flywheel Used on Type No(s). 0131.			
		94004 Bolt-Thru (For 4-3/8" Housing Length).	783	280104	Gear-Starter			
311	490311	Brush Set (For 4-9/32" Housing Length).	801	491339	Cap-Drive			<b>Note</b>
423	810066	Screw-Sem	802	490310	Cap-End (For 4-9/32" Housing Length).			494205 Housing-Starter (For 4-3/8" Housing Length).
510	491336	Drive-Starter				876	492358	Kit-Gear
513	491338	Clutch-Drive				896	94288	Pin-Roll
						1003	490316	Spring-Brush

★ Included in Gasket Set-Part No. 491999.

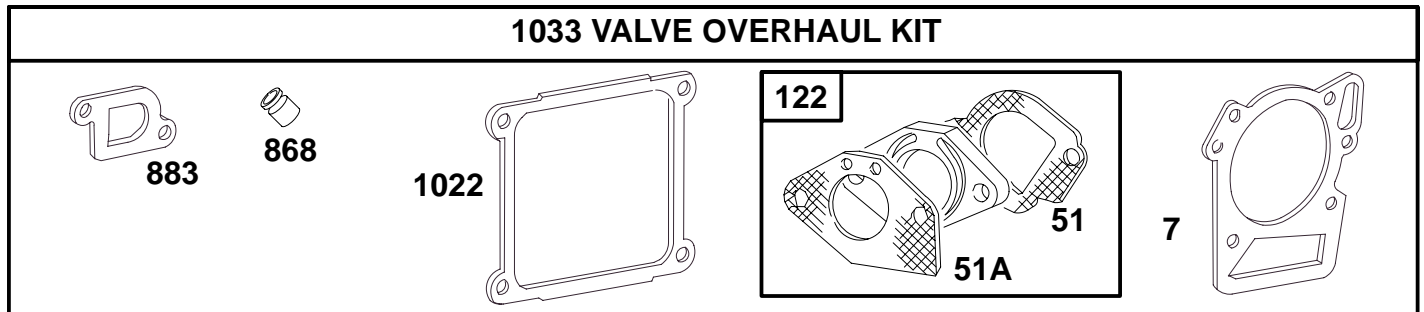
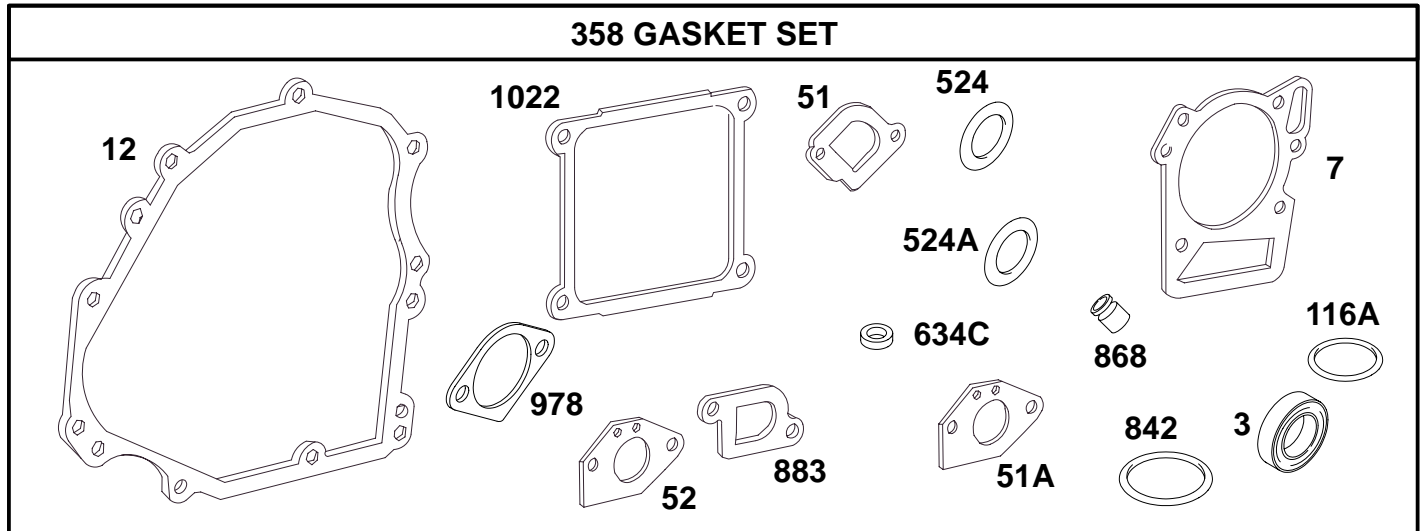
△ Included in Valve Overhaul Kit-Part No. 495771.

● Included in Carburetor Kit-Part No. 492287.

○ Included in Carburetor Kit-Part No. 494839.

◆ Included in Carburetor Gasket Set-Part No. 492281.

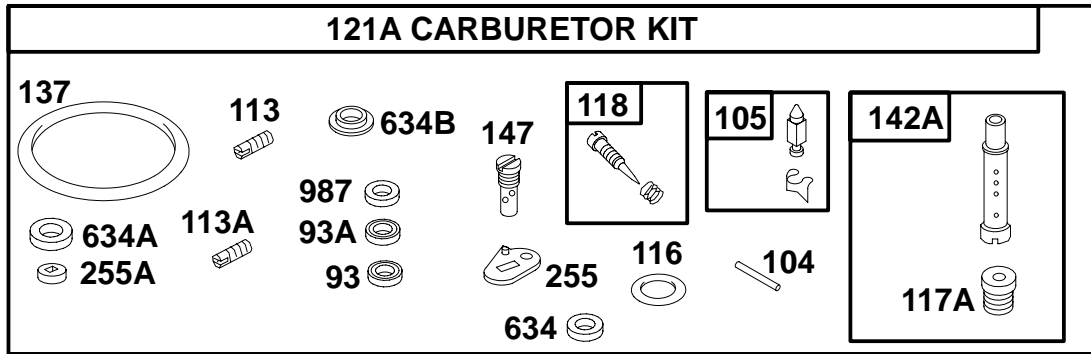
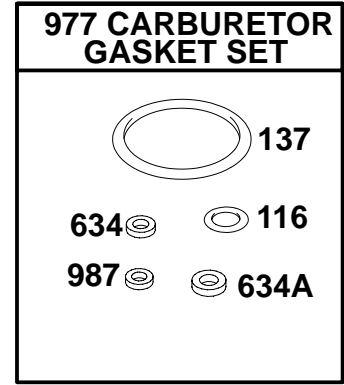
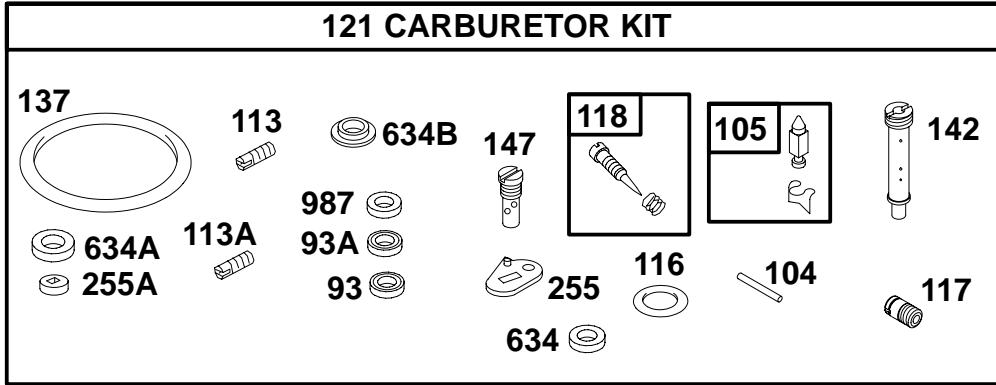
# 161400 to 161499



REF. NO.	PART NO.	DESCRIPTION	REF. NO.	PART NO.	DESCRIPTION	REF. NO.	PART NO.	DESCRIPTION
3	★491500	Seal—Oil	358	491999	Gasket Set	868	Δ★491020	Seal—Valve
7	Δ★272067	Gasket—Cylinder Head	524	★271983	Seal—Dipstick	883	Δ★272102	Gasket—Exhaust
12	★272068	Gasket—Crankcase (1/64" Thick)	524A	★280854	Seal—O-Ring	978	★271736	Gasket
51	Δ★272043	Gasket—Intake	634C	★491880	Seal—Oil	1022	Δ★272063	Gasket—Rocker Cover
51A	Δ★272069	Gasket—Intake	842	★270920	Seal—Cap	1033	495771	Kit—Valve Overhaul
52	★272070	Gasket—Intake	<b>Note</b> 805386 Seal—Cap Used on Type No(s). 0199.					
116A	★280831	O-Ring						
122	Δ491586	Spacer						

★ Included in Gasket Set—Part No. 491999.  
 Δ Included in Valve Overhaul Kit—Part No. 495771.  
 ● Included in Carburetor Kit—Part No. 492287.

○ Included in Carburetor Kit—Part No. 494839.  
 ◆ Included in Carburetor Gasket Set—Part No. 492281.



REF. NO.	PART NO.	DESCRIPTION	REF. NO.	PART NO.	DESCRIPTION	REF. NO.	PART NO.	DESCRIPTION		
93	●280926	Bushing—Throttle Shaft (Upper)			<p align="center"><b>———— Note ————</b></p> <p><b>231667</b> Jet—Main (High Altitude) Valve—Idle Adjust <b>See Last Pages.</b></p>	147		Screw—Pilot Jet <b>See Last Pages.</b>		
93A	○●280927	Bushing—Throttle Shaft (Lower)	118			255	○●280958	Bushing—Choke Shaft (Upper)		
104	○●231652	Pin—Float Hinge	121	494839	Carburetor Kit (Used After Code Date 90091000).	255A	○●280910	Bushing—Choke Shaft (Lower)		
105	○●492188	Valve—Float	121A	492287	Carburetor Kit (Used Before Code Date 90091100).	634	○●◆224214	Washer—Throttle Shaft (Sold in Kit Only).		
113		Nozzle—Carburetor <b>See Last Pages.</b>			137	○●◆	Gasket—Float Bowl (Sold in Kit Only).	634A	○●◆272184	Washer—Choke Shaft
113A	○●231656	Nozzle—Well Jet			142	○231763	Nozzle (Used With Side Jet Carburetor).	634B	○●	Washer—Choke Shaft Seal
116	○●◆	Gasket—Sealing (Sold in Kit Only).			142A	●492324	Nozzle (Used With Bottom Jet Carburetor).	977	492281	Gasket Set—Carburetor
117	○231765	Jet—Main						987	○●◆492172	Seal—Throttle Shaft
		<b>———— Note ————</b>								
		<b>231766</b> Jet—Main (High Altitude)								
117A	●	Jet—Main (Sold in Kit and Ref. #142A).								

★ Included in Gasket Set—Part No. 491999.  
 △ Included in Valve Overhaul Kit—Part No. 495771.  
 ● Included in Carburetor Kit—Part No. 492287.

○ Included in Carburetor Kit—Part No. 494839.  
 ◆ Included in Carburetor Gasket Set—Part No. 492281.

**161400 to 161499**

REF. NO.	PART NO.	DESCRIPTION	REF. NO.	PART NO.	DESCRIPTION	REF. NO.	PART NO.	DESCRIPTION
<b>18</b>	<b>492352</b>	Cover-Crankcase ———— <b>Note</b> ———— <b>492353</b> Cover-Crankcase Used on Type No(s). 0010, 0011, 0012, 0014, 0016, 0018, 0019, 0020, 0021, 0023, 0024, 0025, 0026, 0027, 0029, 0031, 0032, 0034, 0035, 0036, 0040, 0041, 0047, 0070, 0071, 0073, 0079, 0080, 0081, 0082, 0083, 0084, 0085, 0090, 0101, 0110, 0112, 0113, 0114, 0115, 0117, 0118, 0120, 0121, 0123, 0124, 0127, 0129, 0130, 0131, 0132, 0133, 0134, 0135, 0199. <b>492354</b> Cover-Crankcase Used on Type No(s). 0015, 0049, 0050, 0051.	<b>98</b>	<b>494690</b>	Screw-Idle Speed (Used After Code Date 90091000). ———— <b>Note</b> ———— <b>492276</b> Screw-Idle Speed (Used Before Code Date 90091100).			———— <b>Note</b> ———— <b>224221</b> Valve-Throttle (Used Before Code Date 90091100).
			<b>113</b>	○● <b>231647</b>	Nozzle-Carburetor (Used After Code Date 90091000). ———— <b>Note</b> ———— ● <b>231646</b> Nozzle-Carburetor (Used Before Code Date 90091100).	<b>147</b>	○ <b>231764</b>	Jet-Pilot (Used After Code Date 90091000). ———— <b>Note</b> ———— ● <b>231653</b> Jet-Pilot (Used Before Code Date 90091100).
			<b>118</b>	○ <b>494923</b>	Valve-Idle Adjust (Used After Code Date 90091000). ———— <b>Note</b> ———— ● <b>492277</b> Valve-Idle Adjust (Used Before Code Date 90091100).	<b>788</b>	<b>492751</b>	Bracket-Pump ———— <b>Note</b> ———— <b>492509</b> Bracket-Pump Used on Type No(s). 0110. <b>494710</b> Bracket-Pump Used on Type No(s). 0080, 0085.
			<b>130</b>	<b>224485</b>	Valve-Throttle (Used After Code Date 90091000).	<b>955</b>	<b>94460</b>	Screw-Bowl Mtg. (Used After Code Date 90091000). ———— <b>Note</b> ———— <b>94459</b> Screw-Bowl Mtg. (Used Before Code Date 90091100).

★ Included in Gasket Set-Part No. 491999.  
△ Included in Valve Overhaul Kit-Part No. 495771.  
● Included in Carburetor Kit-Part No. 492287.

○ Included in Carburetor Kit-Part No. 494839.  
◆ Included in Carburetor Gasket Set-Part No. 492281.