

136200 to 136299

Illustrated Parts List

Model Series

136200 to 136299

TYPE NUMBERS
0006 through 0026,
0120 through 0140,
0141, 0142, 0143,
0144, 0151, 0615,
0616, 0617, 0618,
0626, 0751, 1015,
1016, 1018, 1026,
1027, 1132, 1134,
1140, 1142, 1143,
1144, 1151.

TO FIND THE CORRECT NUMBER OF THE PART YOU NEED: FOLLOW THE INSTRUCTIONS BELOW

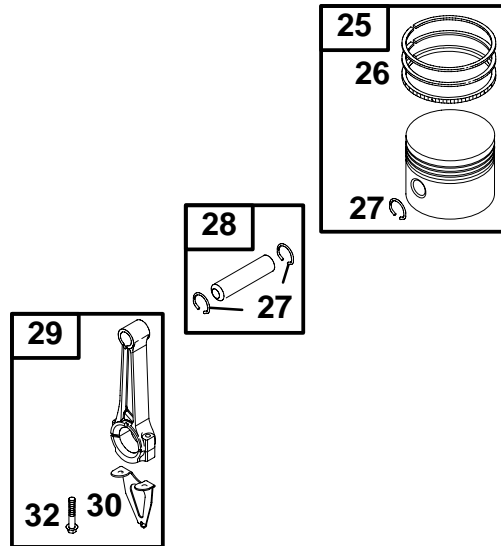
- A. Refer to Engine Model, Type and Code Number that is stamped on the blower housing of engine. Engine type numbers such as 0123 01 are listed only as 0123 in most instances. The two digits (01 or 02, etc.) to the right of the space may be required for more accurate parts identification in some instances. Select the Illustrated Parts List covering the correct Model Series and Type Number.
- B. Refer to the Illustrations and compare the original part with Illustration. The number next to the illustration is the Reference Number. Assemblies include all parts shown in frames. All parts shown in assembly frames having individual reference numbers can be purchased separately.
- C. After the Reference Number has been identified, refer to the Numerical text, where Reference and Primary Part Number are listed. **THE PRIMARY PART IS USED ON ALL TYPE NUMBERS EXCEPT THOSE TYPE NUMBERS UNDER "NOTE."**
- D. If a "Note" appears below the Primary Part Number, it means that this part differs from the Primary Part for certain types. If your Type number is listed under "Note," order the part referred to at the "Note."
- E. If your Engine Type Number does not appear after any part number listed under "Note," use the Primary Part Number.
- F. For Engine Type Numbers not covered by this book, check other Parts Lists having the same engine model or contact your source of supply.

PRINTED IN U.S.A.



COPYRIGHT by BRIGGS & STRATTON CORPORATION
All rights reserved. No part of this material may be reproduced or transmitted, in any form or by any means, electronic or mechanical, including photocopying, recording or by any information storage and retrieval system, without permission in writing from Briggs & Stratton Corporation.

136200 to 136299

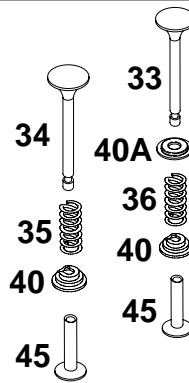


REF. NO.	PART NO.	DESCRIPTION	REF. NO.	PART NO.	DESCRIPTION	REF. NO.	PART NO.	DESCRIPTION
25	498668	Piston Assembly (Standard) (Used After Code Date 99011100). Note 298904 Piston Assembly (Standard) (Used Before Code Date 99011200). 498669 Piston Assembly (.010" Oversize) (Used After Code Date 99011100). 298905 Piston Assembly (.010" Oversize) (Used Before Code Date 99011200). 498670 Piston Assembly (.020" Oversize) (Used After Code Date 99011100). 298906 Piston Assembly (.020" Oversize) (Used Before Code Date 99011200).			498671 Piston Assembly (.030" Oversize) (Used After Code Date 99011100). 298907 Piston Assembly (.030" Oversize) (Used Before Code Date 99011200). 26 498680 Ring Set (Standard) (Used After Code Date 99011100). Note 298982 Ring Set (Standard) (Used Before Code Date 99011200). 498681 Ring Set (.010" Oversize) (Used After Code Date 99011100). 298983 Ring Set (.010" Oversize) (Used Before Code Date 99011200).			498682 Ring Set (.020" Oversize) (Used After Code Date 99011100). 298984 Ring Set (.020" Oversize) (Used Before Code Date 99011200). 498683 Ring Set (.030" Oversize) (Used After Code Date 99011100). 298985 Ring Set (.030" Oversize) (Used Before Code Date 99011200). 27 691588 Lock-Piston Pin 28 691239 Pin-Piston (Standard) Note 298908 Pin-Piston (.005" Oversize) 29 299430 Rod-Connecting (Standard) Note 390459 Rod-Connecting (.020" Undersize) 30 691759 Dipper-Connecting Rod 32 691664 Screw (Connecting Rod)

★ Included in Engine Gasket Set-Ref. 358.
● Included in Carburetor Overhaul Kit-Ref. 121.

∅ Included in Valve Gasket Set-Ref. 1095.

136200 to 136299

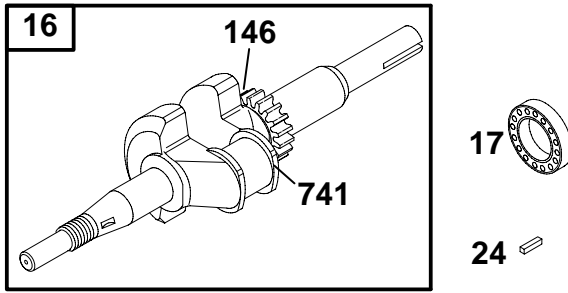


REF. NO.	PART NO.	DESCRIPTION	REF. NO.	PART NO.	DESCRIPTION	REF. NO.	PART NO.	DESCRIPTION
33	211119	Valve-Exhaust	35	690520	Spring-Valve (Intake)	40	692194	Retainer-Valve
34	261044	Valve-Intake	36	692180	Spring-Valve (Exhaust)	40A	691760	Retainer-Valve (Exhaust)
						45	690509	Tappet-Valve

★ Included in Engine Gasket Set-Ref. 358.
 ● Included in Carburetor Overhaul Kit-Ref. 121.

∅ Included in Valve Gasket Set-Ref. 1095.

136200 to 136299



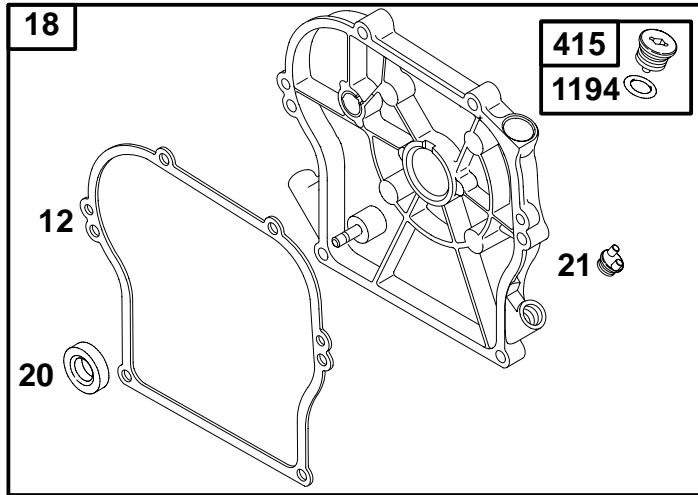
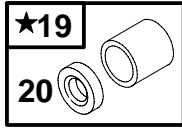
REF. NO.	PART NO.	DESCRIPTION	REF. NO.	PART NO.	DESCRIPTION	REF. NO.	PART NO.	DESCRIPTION
16	492088	Crankshaft Note 495645 Crankshaft Used on Type No(s). 0120, 0131, 0141, 0151, 0751, 1151. 499765 Crankshaft Used on Type No(s). 0014, 0015, 0018, 0122, 0129, 0133, 0143, 0144, 0615, 0617, 1015, 1018, 1143, 1144.	17	692007	Bearing-Ball	146	690979	Key-Timing (Used With Timing Gear 691847)
			24	222698	Key-Flywheel	741	691847	Gear-Timing (Uses Woodruff Key)

★ Included in Engine Gasket Set-Ref. 358.
● Included in Carburetor Overhaul Kit-Ref. 121.

∅ Included in Valve Gasket Set-Ref. 1095.

136200 to 136299

★ **REQUIRES SPECIAL TOOLS TO INSTALL. SEE REPAIR INSTRUCTION MANUAL.**

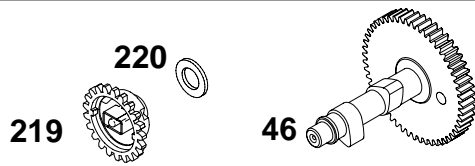


REF. NO.	PART NO.	DESCRIPTION	REF. NO.	PART NO.	DESCRIPTION	REF. NO.	PART NO.	DESCRIPTION
12	★692213	Gasket-Crankcase (.015", Standard) ———— Note ———— ★270125 Gasket-Crankcase (.005") ★270126 Gasket-Crankcase (.009")						
18	694377	Cover-Crankcase (Gear Reduction) ———— Note ———— 694350 Cover-Crankcase (Plain Bearing) Used on Type No(s). 0122, 0129, 0133, 0143, 0144, 1143, 1144.	19	495660	Kit-Bushing/Seal (PTO Side)	415	691363	1144. Plug
			20	★495307	Seal-Oil (PTO Side)	1135	90832	Washer (Crankcase Cover) ———— Note ———— 690371 Washer (Crankcase Cover) (Used in Positions 1 and 5)
			21	281658	Cap-Oil Fill			Used on Type No(s). 0006, 0014, 0120, 0121, 0124, 0125, 0127, 0128, 0129, 0130, 0133, 0140, 0142, 0143, 0144, 1140, 1142, 1143, 1144.
			22	691662	Screw (Crankcase)	1194	691876	O-Ring Seal (Plug)
			170	691120	Stud (Crankcase Cover) (Used in Positions 1 and 5) Used on Type No(s). 0122, 0125, 0127, 0129, 0130, 0133, 0140, 0142, 0143, 0144, 1140, 1142,			

★ Included in Engine Gasket Set-Ref. 358.
● Included in Carburetor Overhaul Kit-Ref. 121.

∅ Included in Valve Gasket Set-Ref. 1095.

136200 to 136299

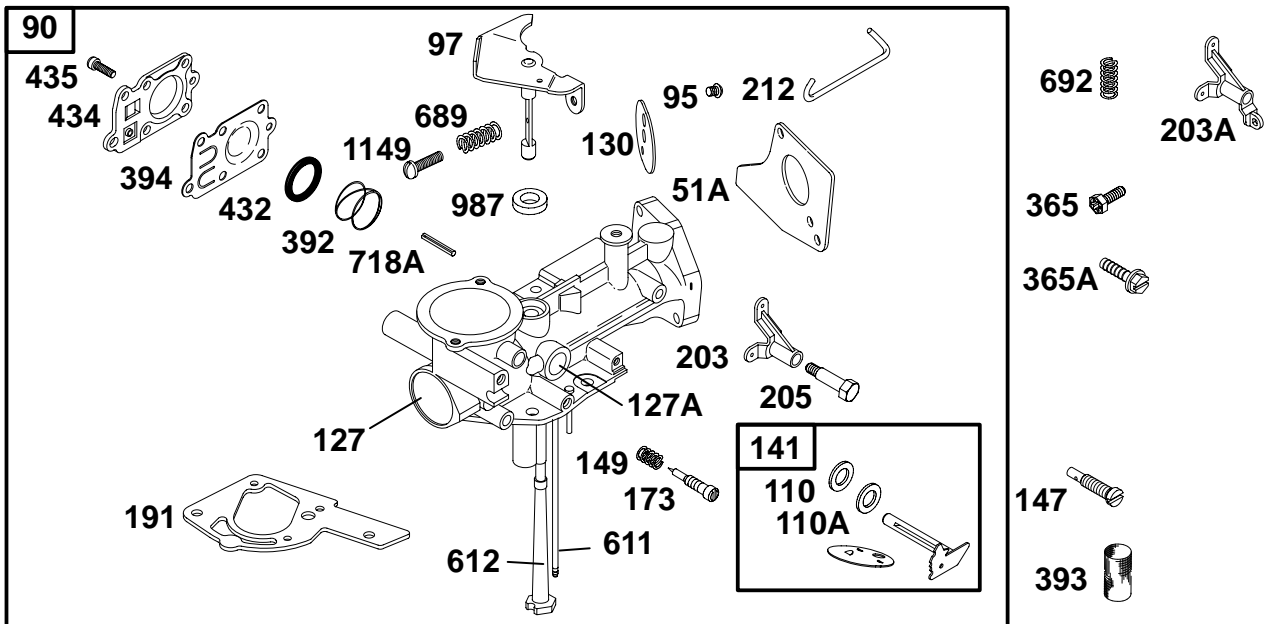


REF. NO.	PART NO.	DESCRIPTION	REF. NO.	PART NO.	DESCRIPTION	REF. NO.	PART NO.	DESCRIPTION
46	691164	Camshaft	220	691724	Washer (Governor Gear)			
219	494845	Gear-Governor						

★ Included in Engine Gasket Set-Ref. 358.
● Included in Carburetor Overhaul Kit-Ref. 121.

∅ Included in Valve Gasket Set-Ref. 1095.

136200 to 136299

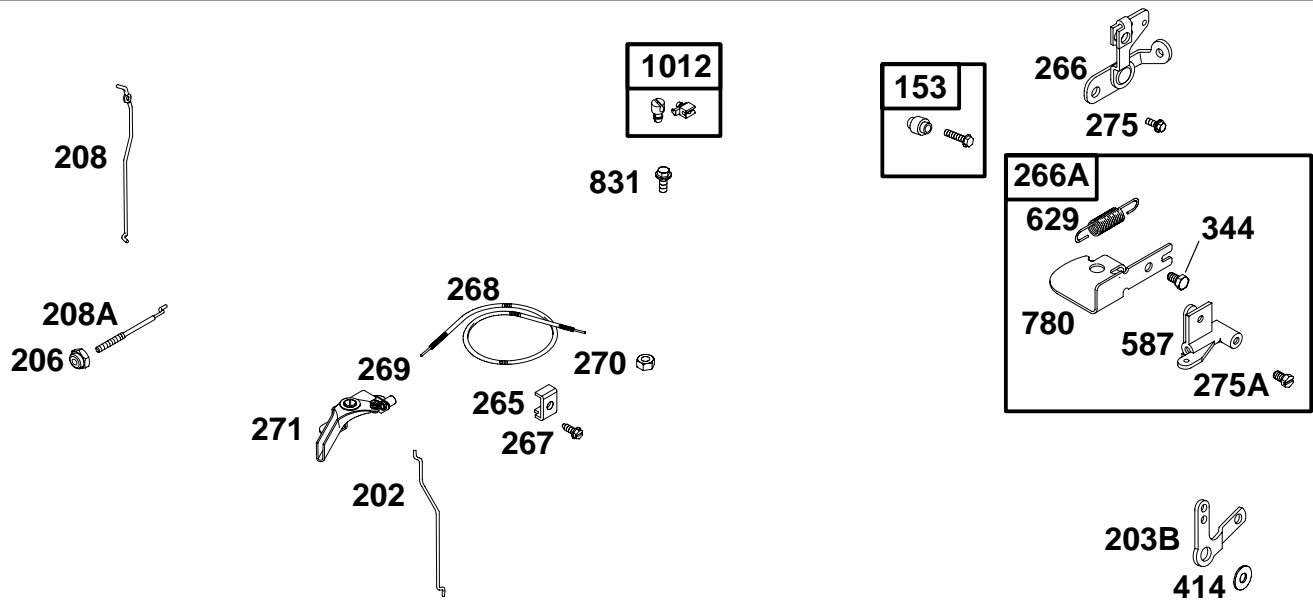


REF. NO.	PART NO.	DESCRIPTION	REF. NO.	PART NO.	DESCRIPTION	REF. NO.	PART NO.	DESCRIPTION
					Note			
51A	273113	Gasket-Intake				434	691713	Cover-Diaphragm
90	498298	Carburetor				435	691619	Screw (Diaphragm Cover)
95	691437	Screw (Throttle Valve)	149	691592	Spring-Needle Valve	611	691770	Pipe-Fuel
97	692325	Shaft-Throttle	173	691777	Valve-Idle Mixture	612	391813	Tube-Pick Up (Uses Clip Spring)
110	691869	Washer (Choke Shaft, Felt)	191	692241	Gasket-Fuel Tank	689	691783	Friction-Spring (Idle Screw)
110A	690401	Washer (Choke Shaft)	203	691906	Crank-Bell (Standard)	692	690572	Spring-Detent Used on Type No(s). 0615, 0616, 0617, 0618, 0626, 0751, 1015, 1016, 1018, 1026, 1027, 1132, 1134, 1140, 1142, 1144, 1151.
127	691718	Plug-Welch	203A	691341	Crank-Bell			
127A	691742	Plug-Welch	205	691776	Screw (Bell Crank)			
130	691743	Valve-Throttle	212	691812	Link-Throttle			
141	497230	Kit-Choke Shaft	365	690953	Screw (Carburetor)			
147	691250	Jet-Pilot (Standard) Used on Type No(s). 0615, 0616, 0617, 0618, 0626, 0751, 1015, 1016, 1018, 1026, 1027, 1132, 1134, 1140, 1142, 1144, 1151.	365A	691082	Screw (Carburetor)	718A	690296	Pin-Locating (Pump Cover)
			392	691823	Spring-Pump Diaphragm			
			393	691213	Screen-Carburetor	987	695273	Seal-Throttle Shaft
			394	272538	Diaphragm-Carburetor	1149	691624	Screw (Throttle Shaft)
			432	690766	Cap-Spring			

★ Included in Engine Gasket Set-Ref. 358.
● Included in Carburetor Overhaul Kit-Ref. 121.

∅ Included in Valve Gasket Set-Ref. 1095.

136200 to 136299

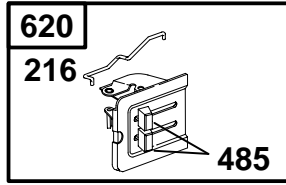


REF. NO.	PART NO.	DESCRIPTION	REF. NO.	PART NO.	DESCRIPTION	REF. NO.	PART NO.	DESCRIPTION
153	490589	Kit-Collar/Screw	267	690804	Screw (Casing Clamp)	344	691646	Screw (Cable Clamp)
202	691814	Link-Mechanical Governor	268	691072	Casing-Control Wire (Cut to Required Length)	414	691721	Washer (Bell Crank)
203B	691744	Crank-Bell	269	691589	Wire-Control (Cut to Required Length)	587	690769	Clamp-Cable
206	690325	Nut (Governor Control Rod)	270	691027	Nut (Control Wire Casing)	629	690457	Spring-Throttle Return
208	691813	Rod-Governor Control	271	691028	Lever-Control	780	691211	Anchor-Spring
208A	691820	Rod-Governor Control (Governor Idle Speed)	275	691645	Screw (Cable Clamp)	831	691099	Screw (Spring Anchor)
265	691024	Clamp-Casing	275A	691683	Screw (Throttle Control)	1012	490507	Retainer-Link
266	691414	Control-Throttle						
266A	692316	Control-Throttle						

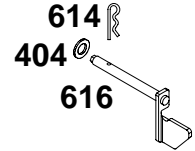
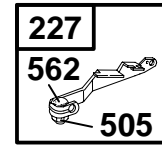
★ Included in Engine Gasket Set-Ref. 358.
● Included in Carburetor Overhaul Kit-Ref. 121.

∅ Included in Valve Gasket Set-Ref. 1095.

136200 to 136299



188 

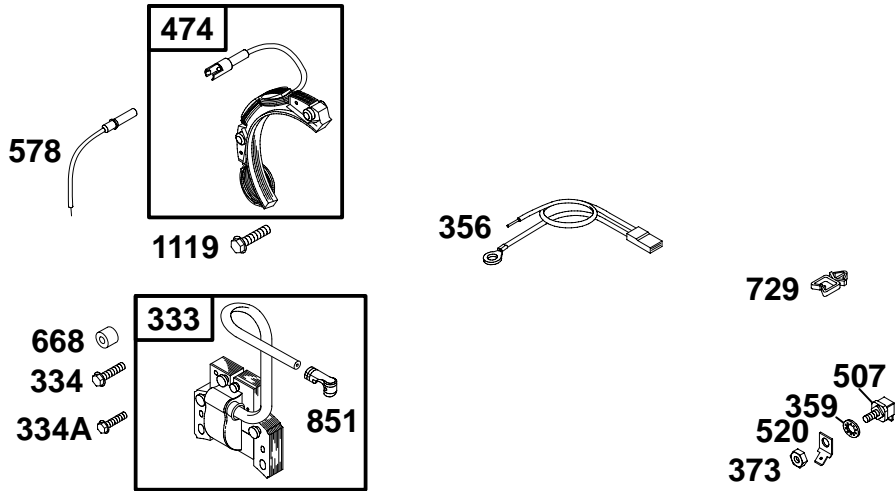


REF. NO.	PART NO.	DESCRIPTION	REF. NO.	PART NO.	DESCRIPTION	REF. NO.	PART NO.	DESCRIPTION
188	692200	Screw (Control Bracket)	404	691691	Washer (Governor Crank)	562	691119	Bolt (Governor Control Lever)
216	691824	Link-Choke (Manual)	485	692295	Knob-Control (Slide)	614	691620	Pin-Cotter
227	690653	Lever-Governor Control	505	691251	Nut (Governor Control Lever)	616	692016	Pin-Governor
						620	490649	Bracket-Control (Panel)

★ Included in Engine Gasket Set-Ref. 358.
● Included in Carburetor Overhaul Kit-Ref. 121.

∅ Included in Valve Gasket Set-Ref. 1095.

136200 to 136299

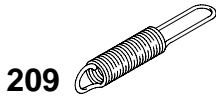


REF. NO.	PART NO.	DESCRIPTION	REF. NO.	PART NO.	DESCRIPTION	REF. NO.	PART NO.	DESCRIPTION
333	397358	Armature-Magneto	359	691077	Washer (Ground Terminal)	578	692306	Harness-Alternator
334	690306	Screw (Magneto Armature, Used on Models With Electric Start)	373	691612	Nut (Ground Terminal)	668	690531	Spacer
334A	691621	Screw (Magneto Armature)	474	494254	Alternator	729	690588	Clip-Wire
356	398808	Wire-Stop	507	691972	Insulator	851	493880	Terminal-Spark Plug
			520	691084	Terminal-Ground	1119	691183	Screw (Alternator)

★ Included in Engine Gasket Set-Ref. 358.
● Included in Carburetor Overhaul Kit-Ref. 121.

∅ Included in Valve Gasket Set-Ref. 1095.

136200 to 136299

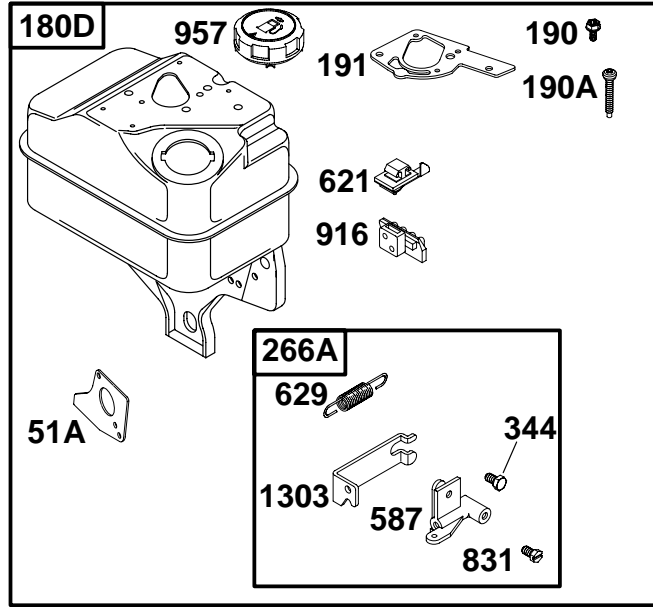


REF. NO.	PART NO.	DESCRIPTION	REF. NO.	PART NO.	DESCRIPTION	REF. NO.	PART NO.	DESCRIPTION
209	690376	Spring-Governor (Red) Note 690549 Spring-Governor (Blue) Used on Type No(s). 0026, 0140, 0143, 0151, 0615, 0616, 0626, 0751, 1015, 1016, 1018, 1026, 1027, 1132, 1134, 1140, 1142, 1143, 1151. 691845 Spring-Governor (Silver) Used on Type No(s). 0144, 1144.	211	691850	Spring-Governed Idle			

★ Included in Engine Gasket Set-Ref. 358.
● Included in Carburetor Overhaul Kit-Ref. 121.

∅ Included in Valve Gasket Set-Ref. 1095.

136200 to 136299

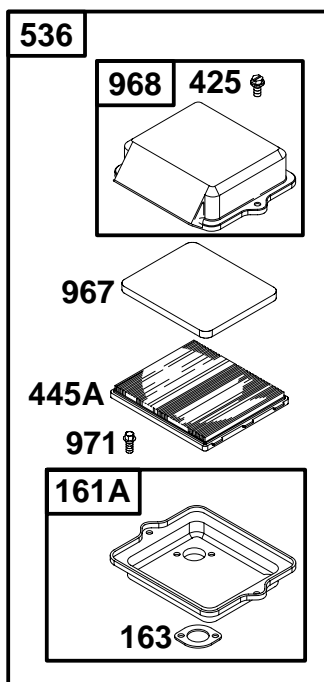


REF. NO.	PART NO.	DESCRIPTION	REF. NO.	PART NO.	DESCRIPTION	REF. NO.	PART NO.	DESCRIPTION
51A	273113	Gasket-Intake	190A	691687	Screw (Fuel Tank)	629	690457	Spring-Throttle Return
180D	698054	Tank-Fuel (3 Quart)	191	★●692241	Gasket-Fuel Tank	831	691646	Screw (Anchor Spring)
190	691685	Screw (Fuel Tank)	344	691645	Screw (Cable Clamp)	916	691900	Rack-Governor Gear
			587	690769	Clamp-Cable	957	494559	Cap-Fuel Tank
			621	692310	Switch-Stop	1303	690594	Clamp-Speed Control

★ Included in Engine Gasket Set-Ref. 358.
● Included in Carburetor Overhaul Kit-Ref. 121.

∅ Included in Valve Gasket Set-Ref. 1095.

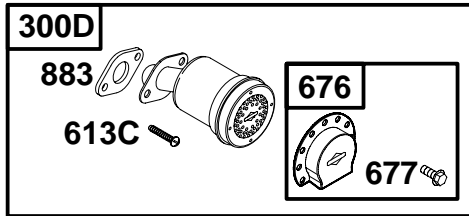
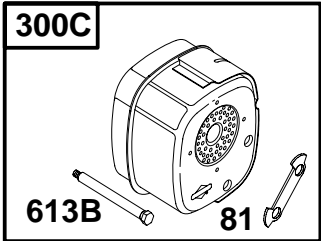
136200 to 136299



REF. NO.	PART NO.	DESCRIPTION	REF. NO.	PART NO.	DESCRIPTION	REF. NO.	PART NO.	DESCRIPTION
161A	694484	Base—Air Cleaner	445A	491588	Filter—Air Cleaner Cartridge	968	692321	Cover—Air Cleaner
163	Ø*271935	Gasket—Air Cleaner	536	494279	Cleaner—Air	971	690370	Screw (Air Cleaner Base)
425	694515	Screw (Air Cleaner Cover)	967	491435	Filter—Pre Cleaner			

★ Included in Engine Gasket Set—Ref. 358.
● Included in Carburetor Overhaul Kit—Ref. 121.

Ø Included in Valve Gasket Set—Ref. 1095.

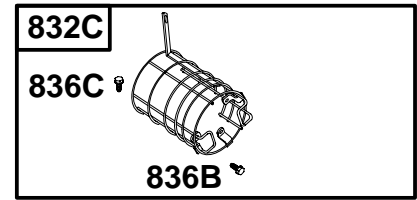
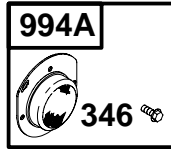
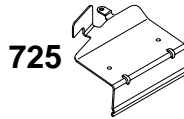


REF. NO.	PART NO.	DESCRIPTION	REF. NO.	PART NO.	DESCRIPTION	REF. NO.	PART NO.	DESCRIPTION
81	691729	Lock-Muffler Screw	613B	691413	Screw (Muffler)	676	393757	Deflector-Muffler (Side Out)
300C	494585	Muffler	613C	691665	Screw (Muffler)	677	690661	Screw (Muffler Deflector)
300D	496892	Muffler (Round Lo Tone)				883	*692237	Gasket-Exhaust

★ Included in Engine Gasket Set-Ref. 358.
 ● Included in Carburetor Overhaul Kit-Ref. 121.

∅ Included in Valve Gasket Set-Ref. 1095.

136200 to 136299

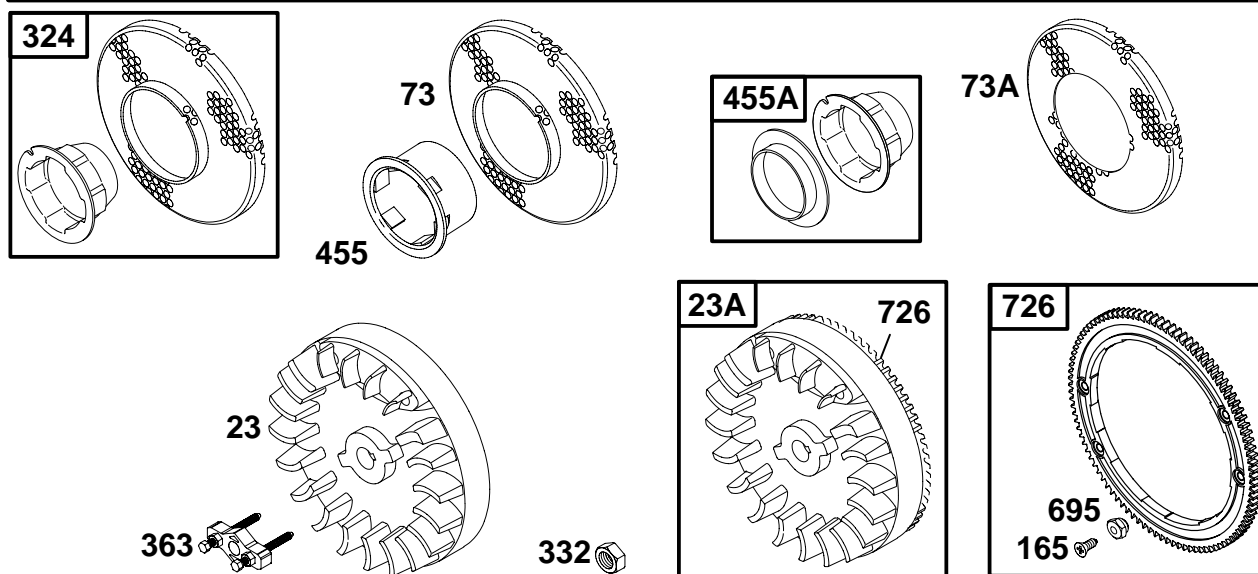


REF. NO.	PART NO.	DESCRIPTION	REF. NO.	PART NO.	DESCRIPTION	REF. NO.	PART NO.	DESCRIPTION
346	690661	Screw (Spark Arrester)	832C	498257	Guard-Muffler (Round Lo Tone)	836C	691681	Screw (Muffler Guard)
725	690440	Shield-Heat (Fuel Tank)	836B	690367	Screw (Muffler Guard)	994A	399541	Arrester-Spark

★ Included in Engine Gasket Set-Ref. 358.
● Included in Carburetor Overhaul Kit-Ref. 121.

∅ Included in Valve Gasket Set-Ref. 1095.

136200 to 136299

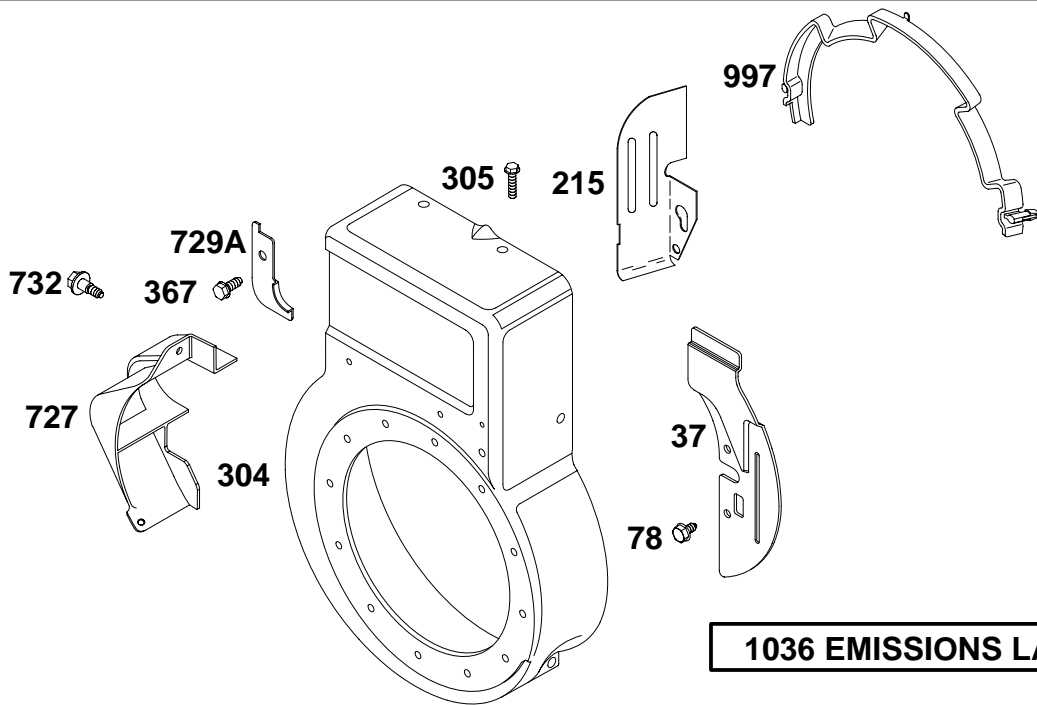


REF. NO.	PART NO.	DESCRIPTION	REF. NO.	PART NO.	DESCRIPTION	REF. NO.	PART NO.	DESCRIPTION
23	399673	Flywheel (Rewind Starter)			————— Note —————			————— Note —————
23A	690820	Flywheel (Electric Starter)			224974 Screen Rotating (Used Before Code Date 95010900).			494770 Cup-Flywheel (Without Ring) (Used Before Code Date 95010900).
73		Screen-Rotating (For Replacement Rotating Screen, See Ref 324 for Service) (Used After Code Date 95020200).	165	693148	Nut (Ring Gear)	695	693149	Screw (Ring Gear)
		————— Note —————	324	695161	Screen/Cup Assembly	726	495765	Gear-Ring (Includes Mounting Hardware)
		224883 Screen- Rotating (Use Straight Side Cup Without Ring) (Used Before Code Date 95020300).	332	690662	Nut (Flywheel)			
73A		Screen-Rotating (For Replacement Rotating Screen, See Ref 324 for Service) (Used After Code Date 95010800).	363	19069	Flywheel Puller			
			455		Cup-Flywheel (For Replacement Flywheel Cup, See Ref 324 for Service) (Used After Code Date 95020200).			
			455A		————— Note —————			
					224250 Cup-Flywheel (With Ring) (Used Before Code Date 95020300).			
					Cup-Flywheel (For Replacement Flywheel Cup, See Ref 324 for Service) (Used After Code Date 95010800).			

★ Included in Engine Gasket Set-Ref. 358.
● Included in Carburetor Overhaul Kit-Ref. 121.

∅ Included in Valve Gasket Set-Ref. 1095.

136200 to 136299

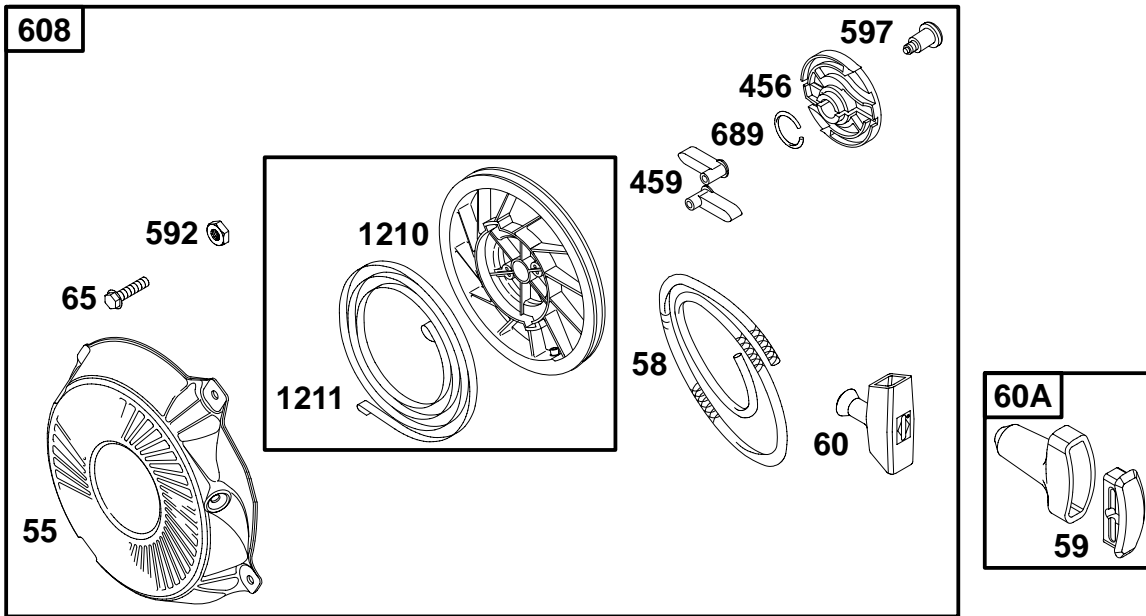


REF. NO.	PART NO.	DESCRIPTION	REF. NO.	PART NO.	DESCRIPTION	REF. NO.	PART NO.	DESCRIPTION
37	691732	Guard-Flywheel	305	692198	Screw (Blower Housing)	1036	695100	Label-Emissions (Used After Code Date 99093000).
78	691660	Screw (Flywheel Guard)	367	691660	Screw (Wire Clip)	<p align="center">———— Note ————</p>		
215	691745	Guide-Air (Rewind Start)	727	690600	Cover-Starter Drive			
		———— Note ————	729A	690471	Clip-Wire (Steel)	<p>694517 Label-Emissions (Used Before Code Date 99100100 and After Code Date 98123100).</p>		
		690472 Guide-Air (Electric Start)	732	691097	Screw (Starter Drive Cover)			
		Used on Type No(s). 0018, 0125, 0127, 0130, 0140, 0142, 1018, 1027, 1140, 1142.	997	691338	Shield-Debris			
304	495759	Housing-Blower (Rewind Start)				<p>After Code Date 97052500).</p>		
		———— Note ————						
		495760 Housing-Blower (Electric Start)				<p>Used Before Code Date 97052600).</p>		
		Used on Type No(s). 0018, 0125, 0127, 0130, 0140, 0142, 1018, 1027, 1140, 1142.						

★ Included in Engine Gasket Set-Ref. 358.
 ● Included in Carburetor Overhaul Kit-Ref. 121.

∅ Included in Valve Gasket Set-Ref. 1095.

136200 to 136299

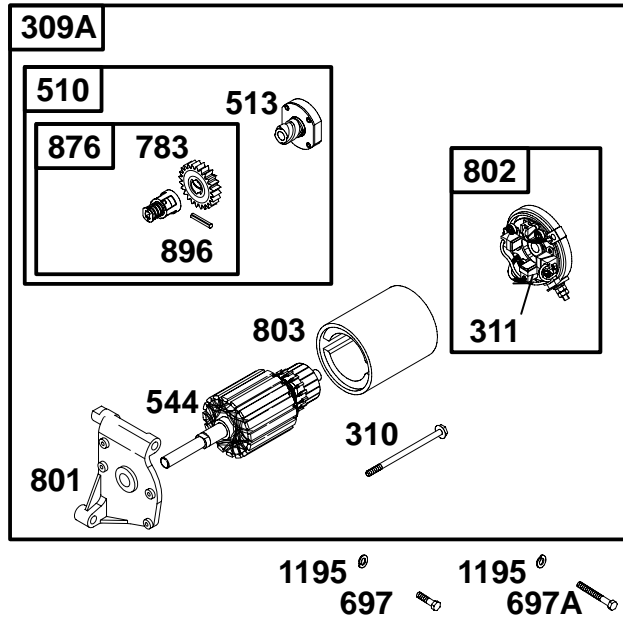


REF. NO.	PART NO.	DESCRIPTION	REF. NO.	PART NO.	DESCRIPTION	REF. NO.	PART NO.	DESCRIPTION
55	691421	Housing–Rewind Starter	65	690837	Screw (Rewind Starter)	608	497830	Starter–Rewind
58	691921	Rope–Starter (Cut To Required Length)	456	692299	Plate–Pawl Friction	689	691855	Spring–Friction (Ratchet Pawl)
59	396892	Insert–Grip	459	281505	Pawl–Ratchet	1210	498144	Pulley/Spring Assembly (Pulley)
60	691915	Grip–Starter Rope	592	690800	Nut (Rewind Starter)	1211	498144	Pulley/Spring Assembly (Spring)
60A	393152	Grip–Starter Rope	597	691696	Screw (Pawl Friction Plate)			

★ Included in Engine Gasket Set–Ref. 358.
● Included in Carburetor Overhaul Kit–Ref. 121.

∅ Included in Valve Gasket Set–Ref. 1095.

136200 to 136299

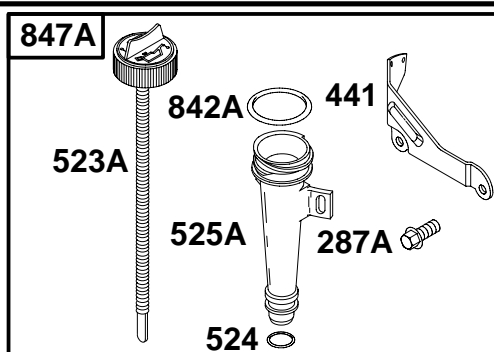
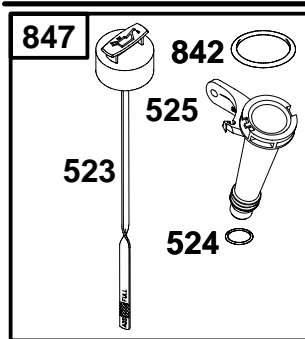


REF. NO.	PART NO.	DESCRIPTION	REF. NO.	PART NO.	DESCRIPTION	REF. NO.	PART NO.	DESCRIPTION
309A	690658	Motor-Starter	544	692966	Armature-Starter	802	395537	Cap-End
310	690323	Screw (Motor Starter)	697	693972	Screw (Drive Cap)	803	398159	Housing-Starter
311	395538	Brush Set	697A	690298	Screw (Drive Cap)	876	495879	Kit-Pinion Spring
510	490768	Drive-Starter	783	692353	Gear-Pinion	896	691641	Pin-Drive Retainer
513	692024	Clutch-Drive	801	690835	Cap-Drive	1195	691075	Washer (Drive Cap)

★ Included in Engine Gasket Set-Ref. 358.
 ● Included in Carburetor Overhaul Kit-Ref. 121.

∅ Included in Valve Gasket Set-Ref. 1095.

136200 to 136299

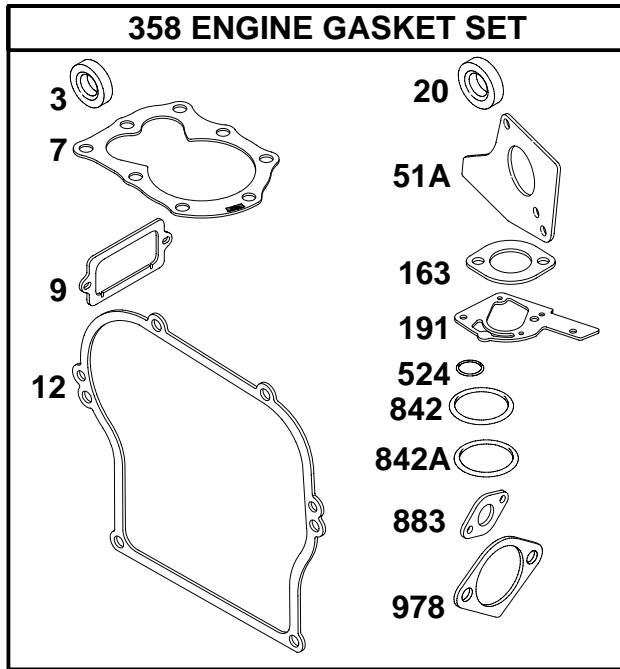


REF. NO.	PART NO.	DESCRIPTION	REF. NO.	PART NO.	DESCRIPTION	REF. NO.	PART NO.	DESCRIPTION
287	94807	Screw (Dipstick)	524	★691876	O-Ring Seal (Dipstick Tube)	842A	★691870	O-Ring Seal (Used Before Code Date 99031500).
287A	691693	Screw (Dipstick)	525	694379	Tube-Dipstick (For Flat Wire Dipstick) (Used After Code Date 99031400).	847	694381	Dipstick/Tube Assembly (Without Bracket) (Used After Code Date 99031400).
441	690448	Bracket-Oil Fill	525A	694531	Tube-Dipstick (For Spring Dipstick) (Used Before Code Date 99031500).	847A	691379	Dipstick/Tube Assembly (With Bracket) (Used Before Code Date 99031500).
523	495264	Dipstick (Flat Wire) (Used After Code Date 99031400).	525B	690587	Tube-Dipstick Used on Type No(s). 0018, 1018.			
523A	691388	Dipstick (Spring) (Used Before Code Date 99031500).	842	★691031	O-Ring Seal (Used After Code Date 99031400).			
		Note 690777 Dipstick (Long Spring) Used on Type No(s). 0018, 1018.						

★ Included in Engine Gasket Set-Ref. 358.
● Included in Carburetor Overhaul Kit-Ref. 121.

∅ Included in Valve Gasket Set-Ref. 1095.

136200 to 136299

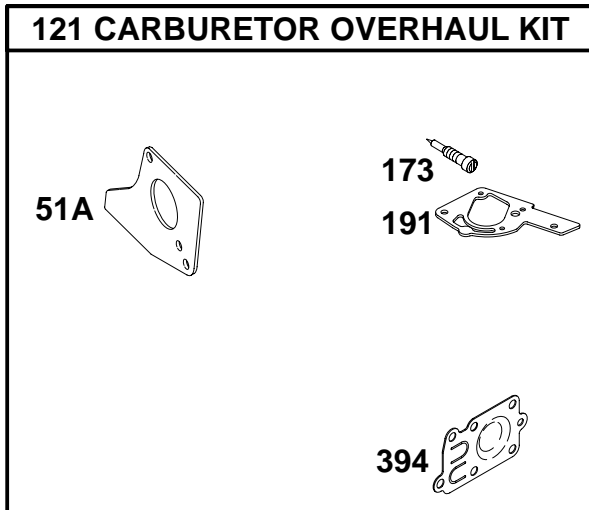


REF. NO.	PART NO.	DESCRIPTION	REF. NO.	PART NO.	DESCRIPTION	REF. NO.	PART NO.	DESCRIPTION
3	★299819	Seal–Oil (Magneto Side)	12	★692213	Gasket–Crankcase (.015", Standard)	191	★692241	Gasket–Fuel Tank
		Note			Note	358	495603	Gasket Set–Engine
	★294606	Seal–Oil (Magneto Side)		★270125	Gasket–Crankcase (.005")	524	★691876	Seal–O–Ring (Dipstick Tube)
		Used on Type No(s). 0122, 0129, 0133, 0143, 0144, 1143, 1144.		★270126	Gasket–Crankcase (.009")	842	★691031	Seal–O–Ring (Used After Code Date 99031400).
7	∅★272157	Gasket–Cylinder Head	20	★495307	Seal–Oil (PTO Side)	842A	★691870	Seal–O–Ring (Used Before Code Date 99031500).
9	∅★27549	Gasket–Breather	51A	∅★273113	Gasket–Intake	883	★692237	Gasket–Exhaust
			163	∅★271935	Gasket–Air Cleaner	978	★273326	Gasket–Oil Gard®

★ Included in Engine Gasket Set–Ref. 358.
● Included in Carburetor Overhaul Kit–Ref. 121.

∅ Included in Valve Gasket Set–Ref. 1095.

136200 to 136299

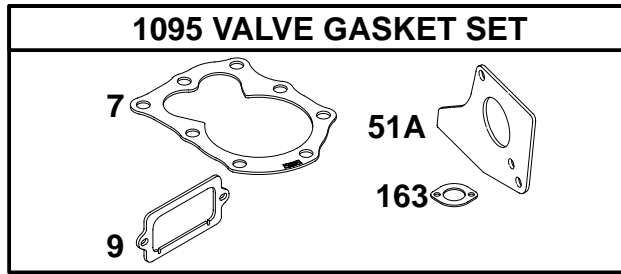


REF. NO.	PART NO.	DESCRIPTION	REF. NO.	PART NO.	DESCRIPTION	REF. NO.	PART NO.	DESCRIPTION
51A	273113	Gasket-Intake	173	691777	Valve-Idle Mixture	191	692241	Gasket-Fuel Tank
121	495606	Kit-Carburetor Overhaul				394	272538	Diaphragm-Carburetor

★ Included in Engine Gasket Set-Ref. 358.
● Included in Carburetor Overhaul Kit-Ref. 121.

∅ Included in Valve Gasket Set-Ref. 1095.

136200 to 136299



REF. NO.	PART NO.	DESCRIPTION	REF. NO.	PART NO.	DESCRIPTION	REF. NO.	PART NO.	DESCRIPTION
7	★272157	Gasket-Cylinder Head	51A	●★273113	Gasket-Intake	1095	498529	Gasket Set-Valve
9	★27549	Gasket-Breather	163	★271935	Gasket-Air Cleaner			

★ Included in Engine Gasket Set-Ref. 358.
● Included in Carburetor Overhaul Kit-Ref. 121.

∅ Included in Valve Gasket Set-Ref. 1095.