

**134400**

# Illustrated Parts List

## Model Series

# 134400

TYPE NUMBERS  
0113 through 1120.

For Use On Engines Built Before Date Code – 02012200

### TABLE OF CONTENTS

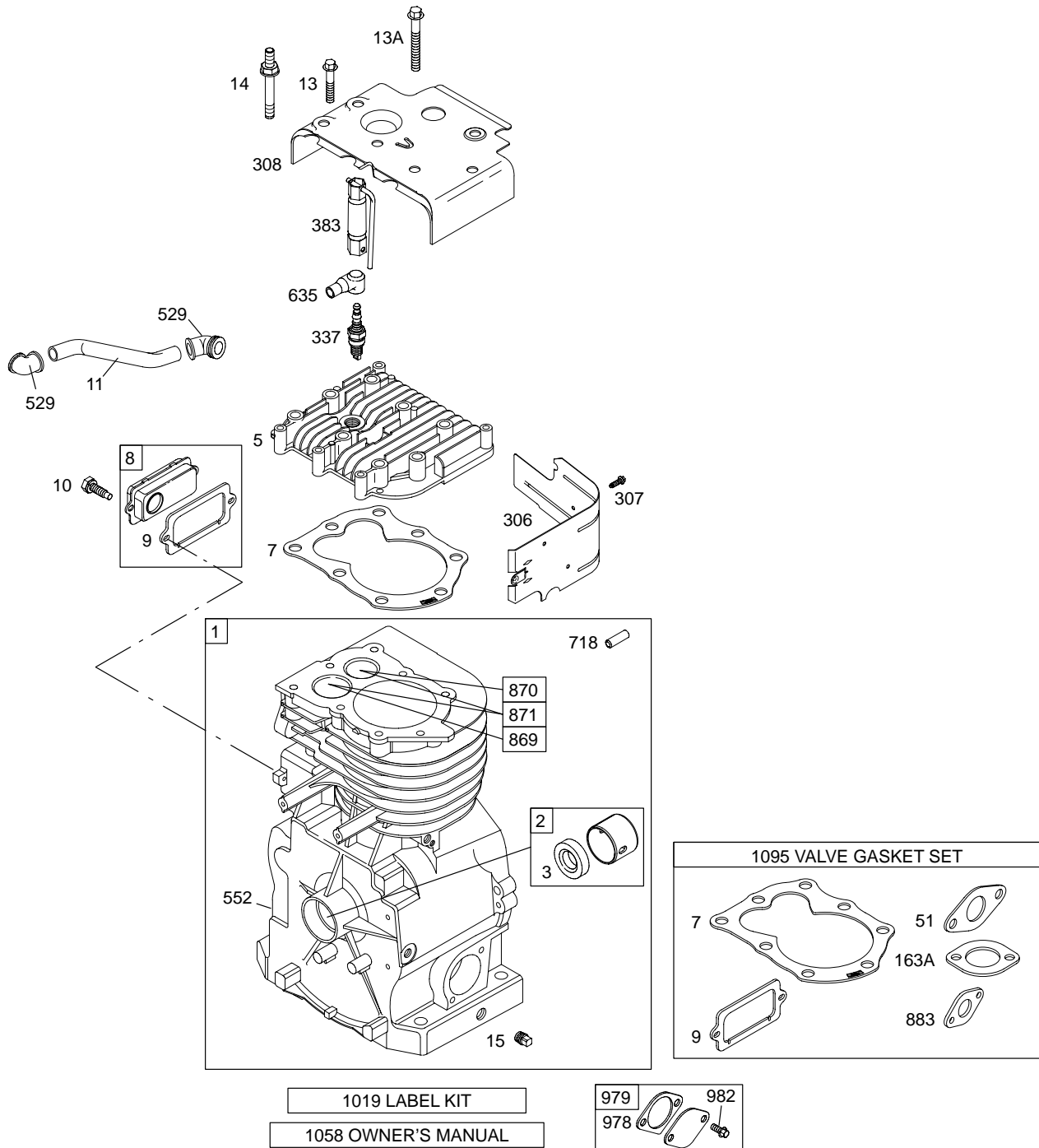
Air Cleaner .....	8
Alternator .....	7
Blower Housing/Shrouds .....	9
Cam .....	3
Carburetors .....	5
Controls .....	7
Crankcase Cover/Sump .....	4
Crankshaft .....	3
Cylinder .....	2
Flywheel .....	9
Fuel Tank .....	6
Governor Spring .....	7
Head .....	2
Ignition .....	7
Kits/Gaskets – Carburetor .....	5
Kits/Gaskets – Engine .....	6
Kits/Gaskets – Valves .....	2
Muffler .....	8
Oil Group .....	11
Piston Group .....	3
Rewind Starters .....	10
Valves .....	3

PRINTED IN U.S.A.

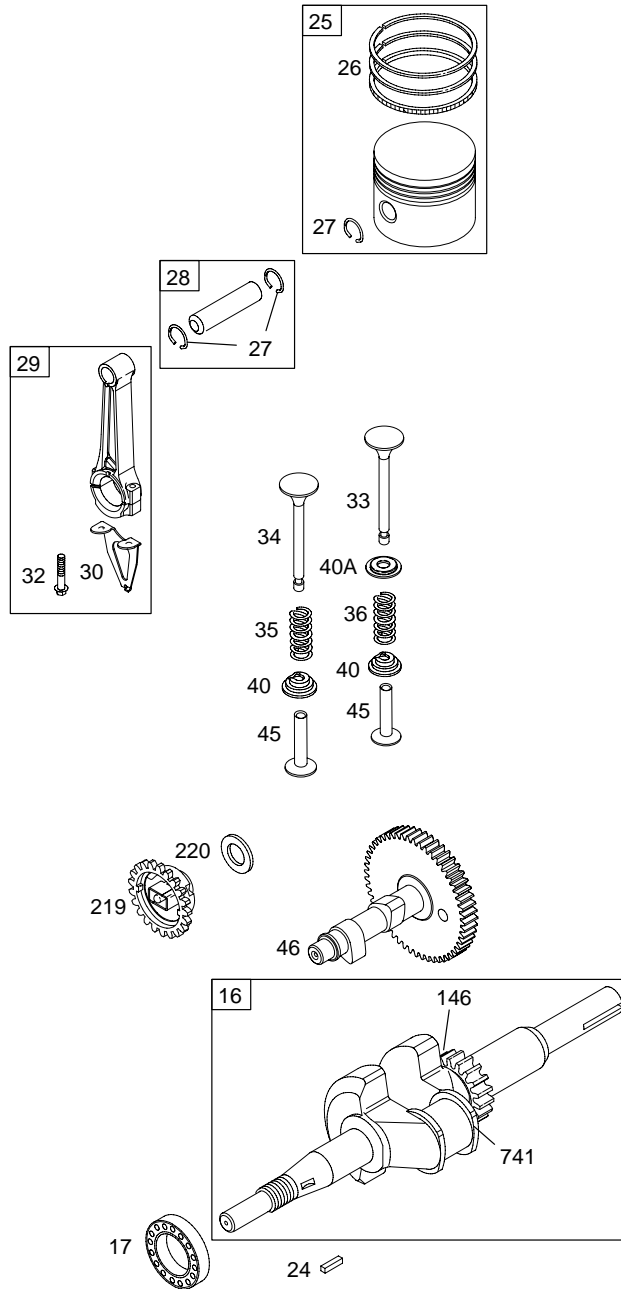


COPYRIGHT by BRIGGS & STRATTON CORPORATION  
 All rights reserved. No part of this material may be reproduced or transmitted, in any form or by any means, electronic or mechanical, including photocopying, recording or by any information storage and retrieval system, without permission in writing from Briggs & Stratton Corporation.

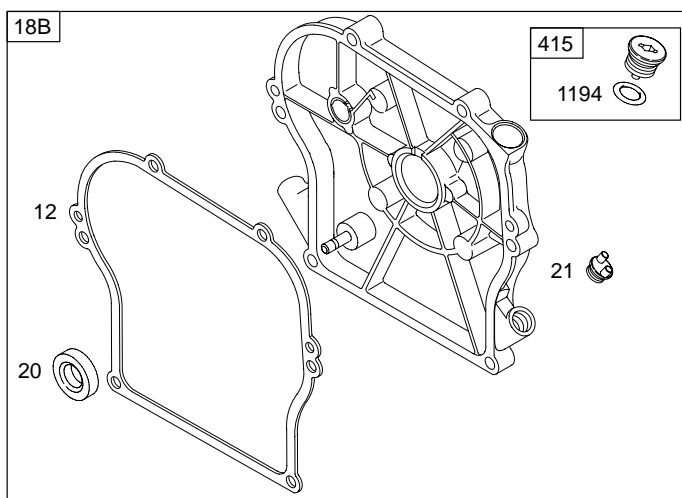
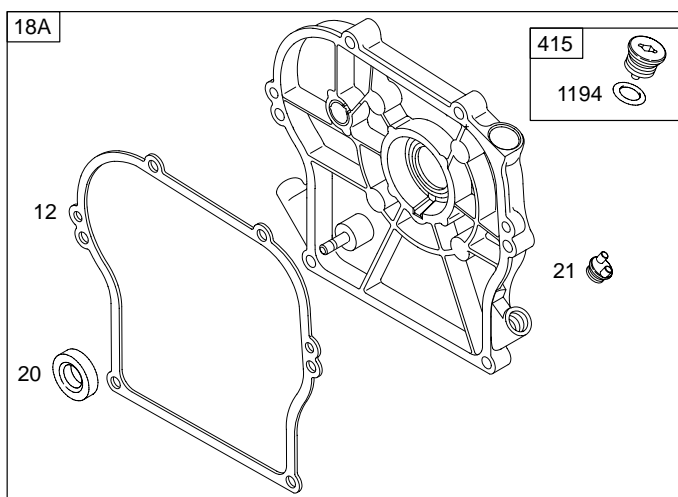
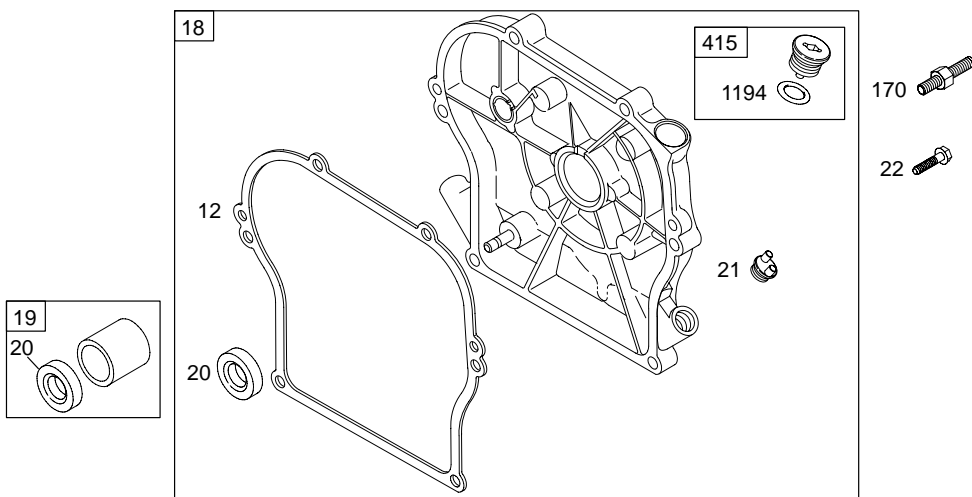
# 134400



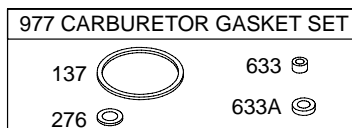
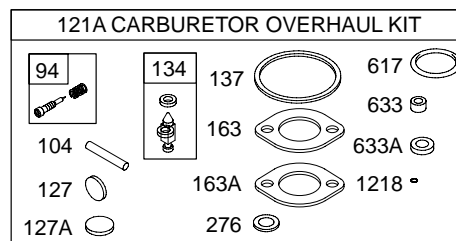
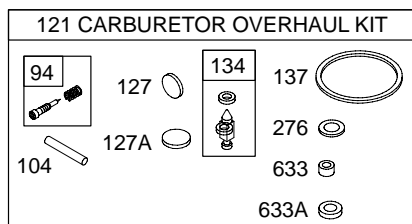
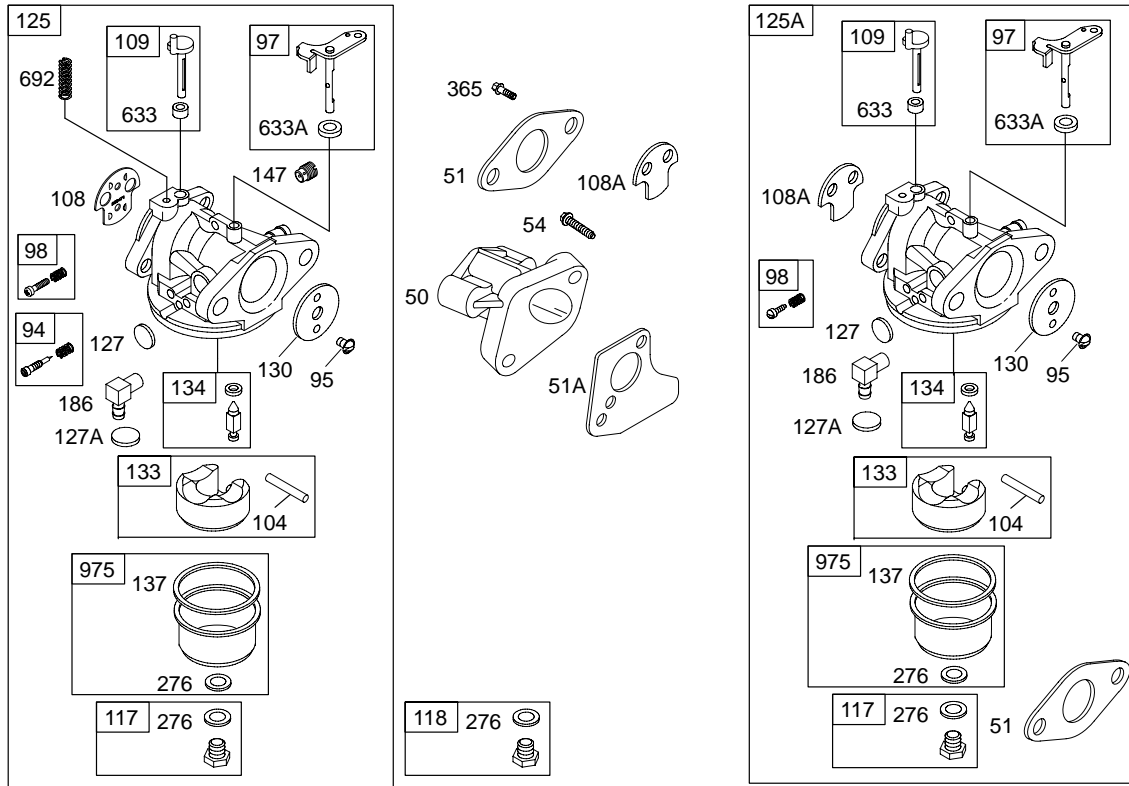
Illustrations cover a range of engines. Parts shown without corresponding text may not be used on your specific engine.  
 5586-2 Assemblies include all parts shown in frames. 5C-9/2002



# 134400

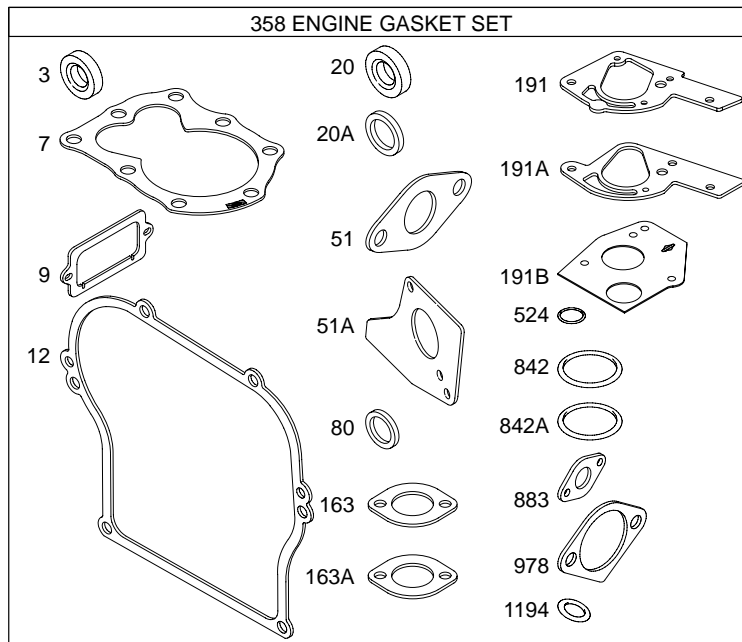
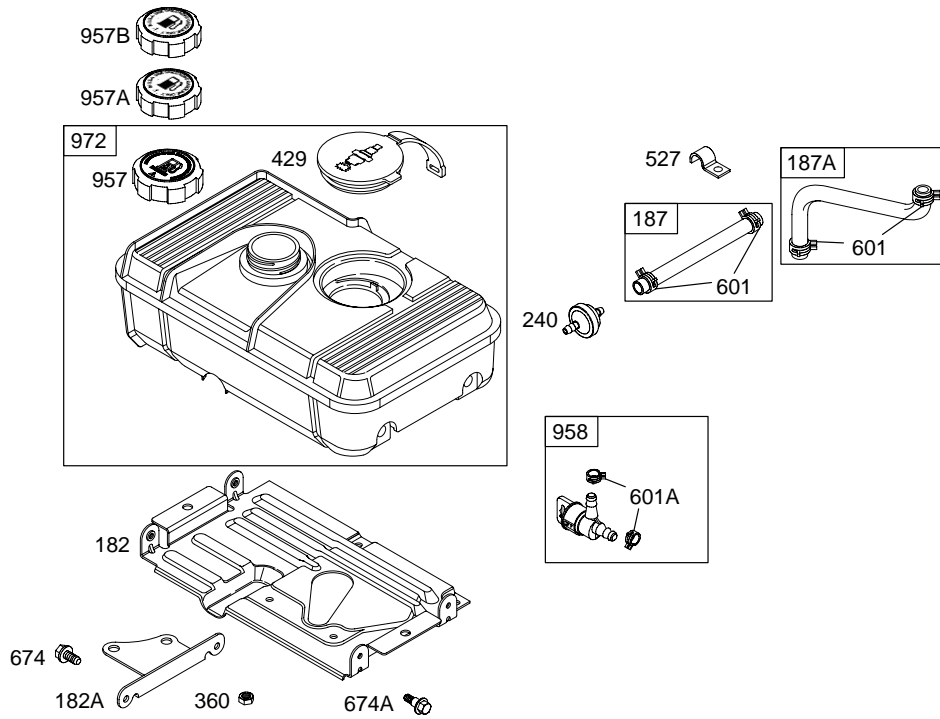


*Illustrations cover a range of engines. Parts shown without corresponding text may not be used on your specific engine.*  
5586-4 Assemblies include all parts shown in frames. 5C-9/2002

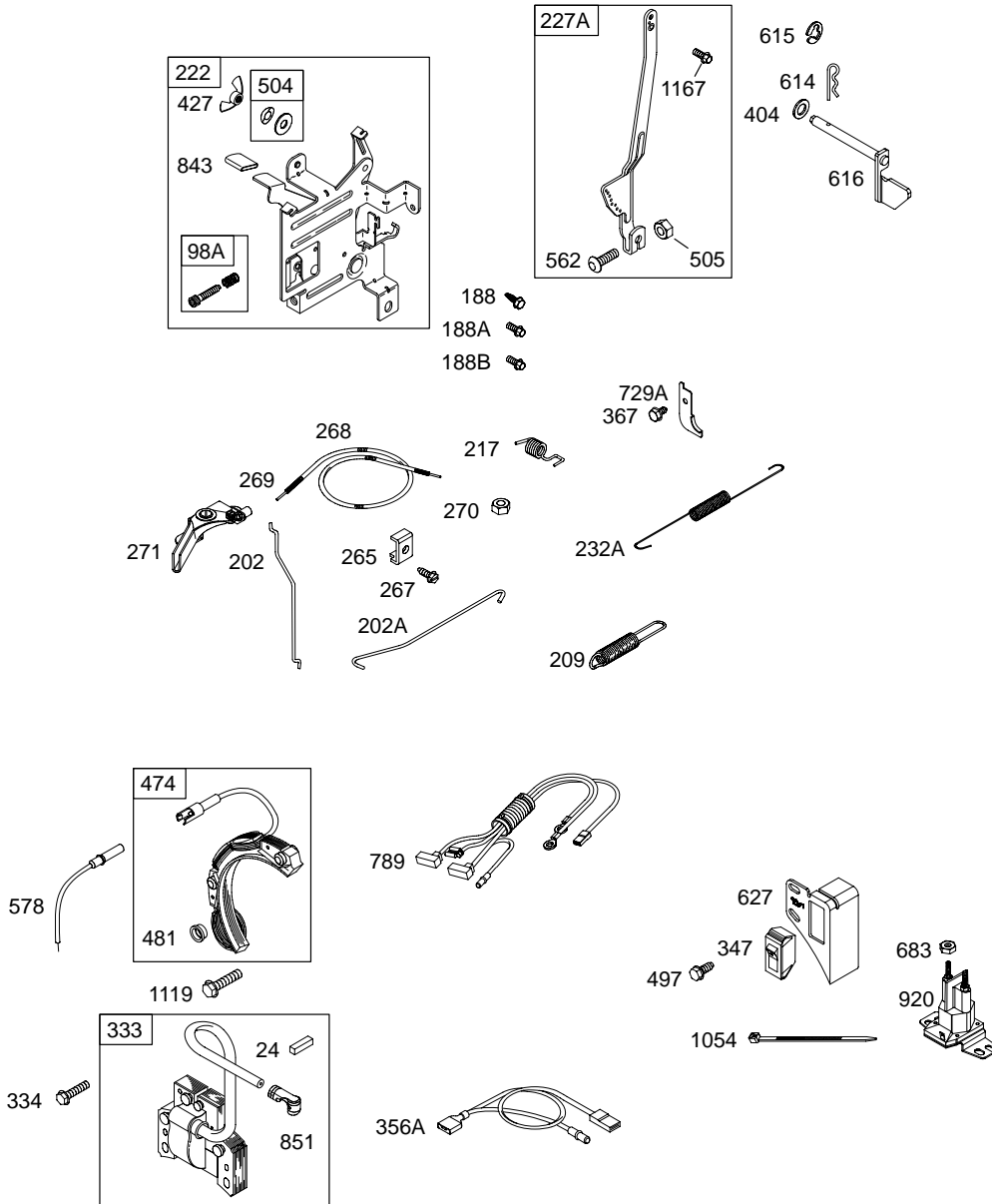


Illustrations cover a range of engines. Parts shown without corresponding text may not be used on your specific engine.  
 5586-5 Assemblies include all parts shown in frames. 5C-9/2002

# 134400

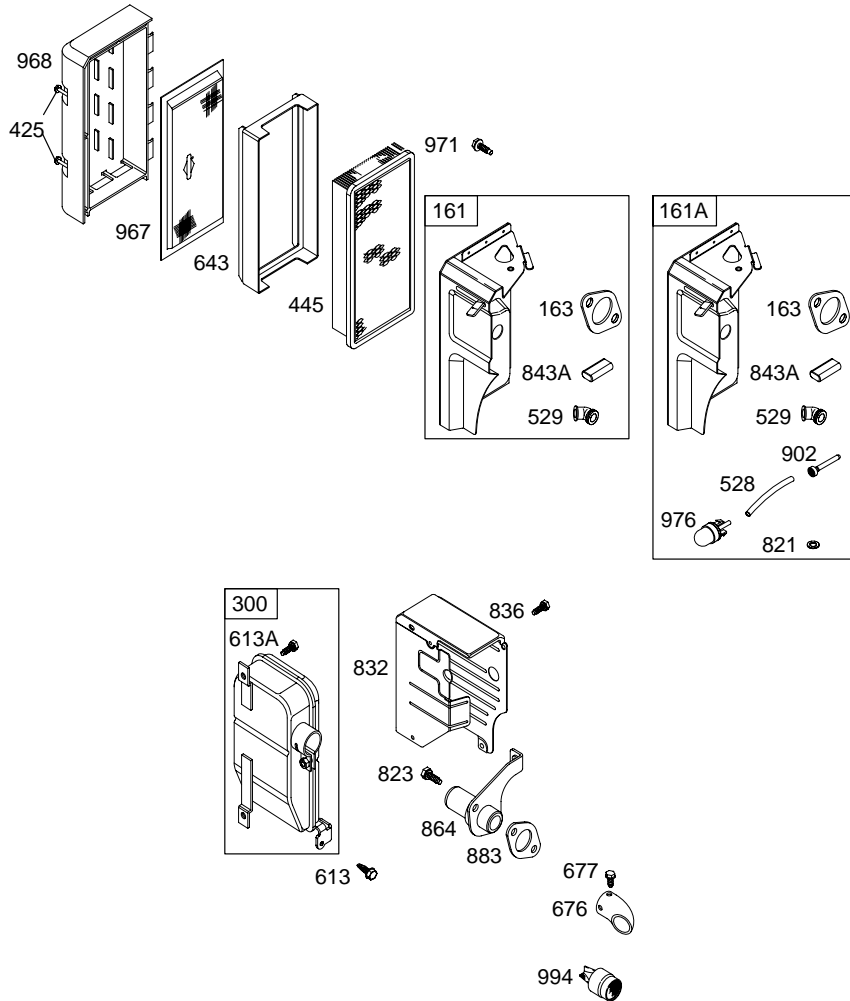


Illustrations cover a range of engines. Parts shown without corresponding text may not be used on your specific engine.  
 5586-6 Assemblies include all parts shown in frames. 5C-9/2002



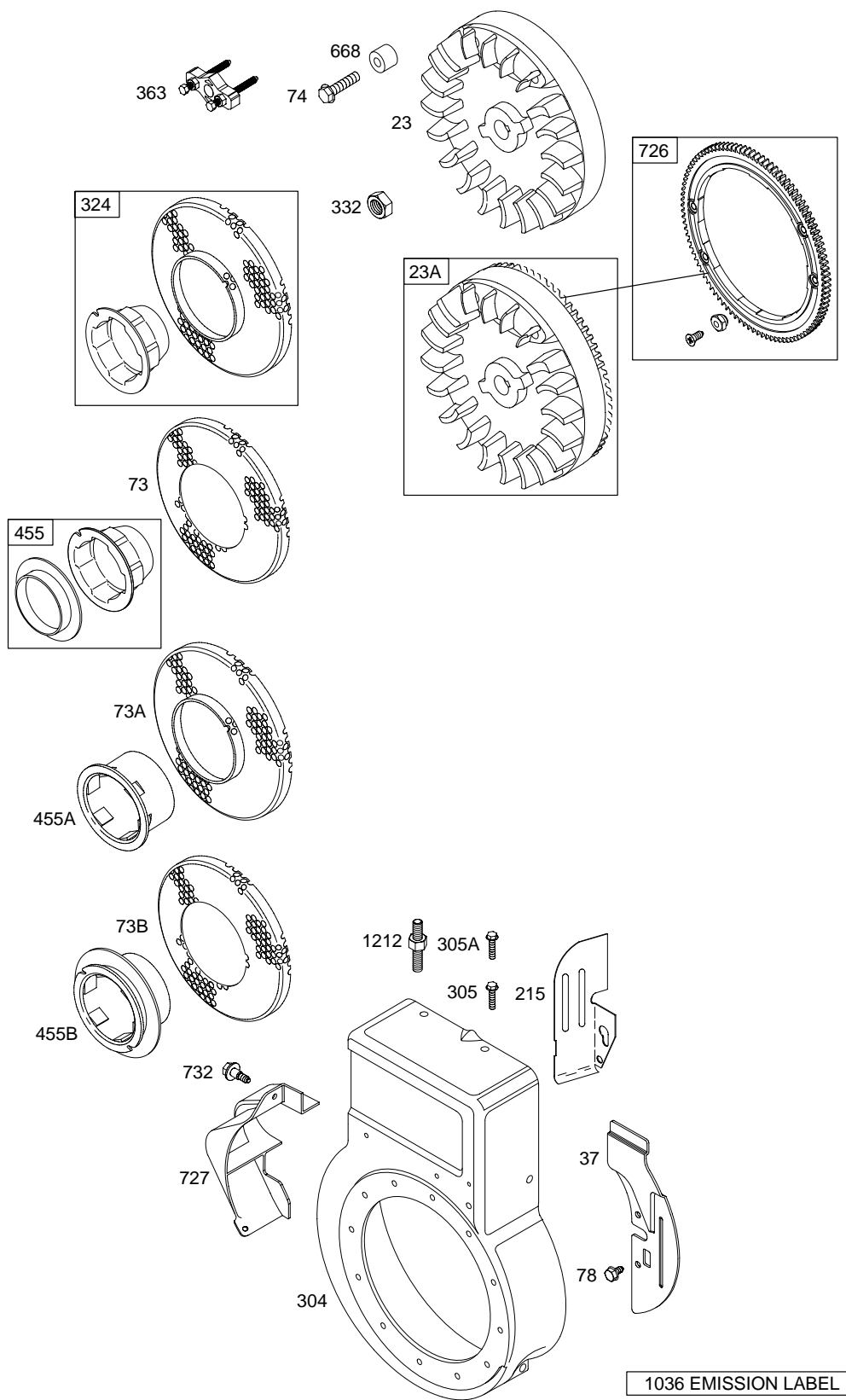
Illustrations cover a range of engines. Parts shown without corresponding text may not be used on your specific engine.  
 5586-7 Assemblies include all parts shown in frames. 5C-9/2002

# 134400



Illustrations cover a range of engines. Parts shown without corresponding text may not be used on your specific engine.  
5586-8 Assemblies include all parts shown in frames. 5C-9/2002

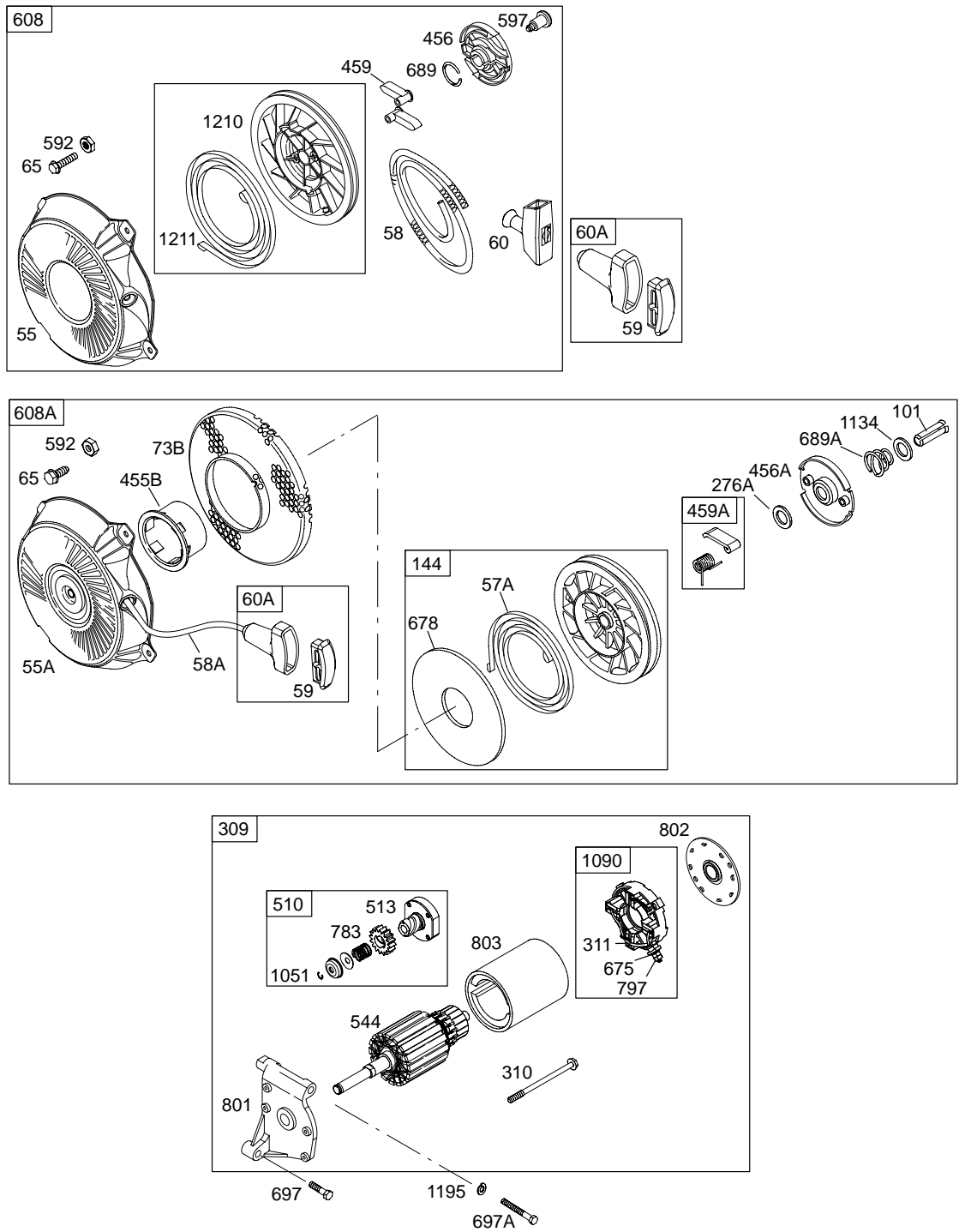




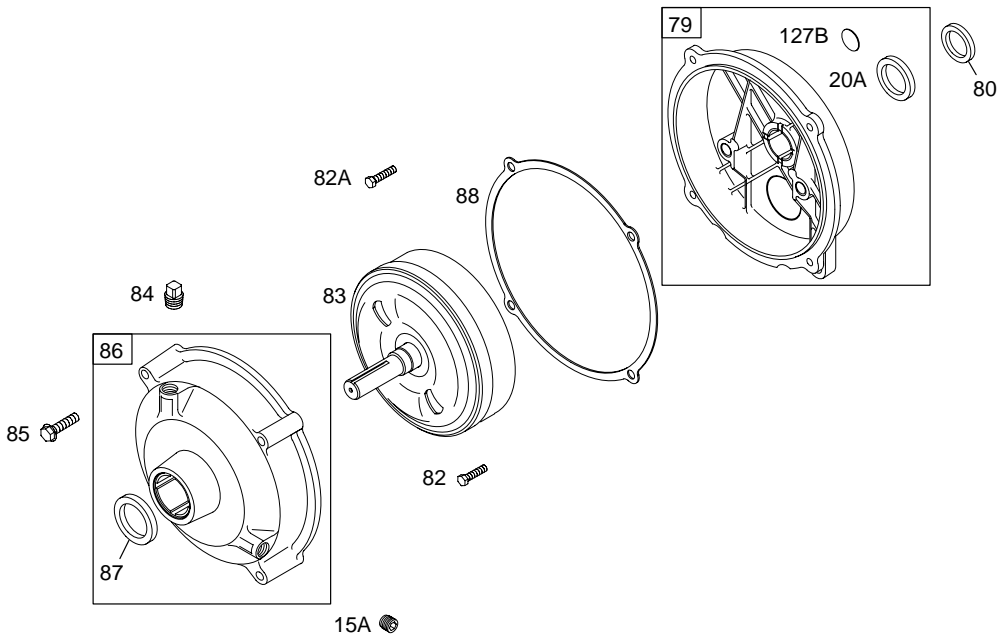
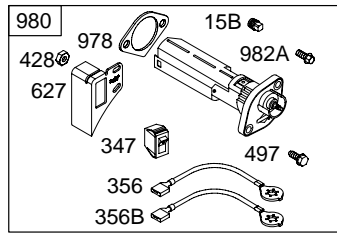
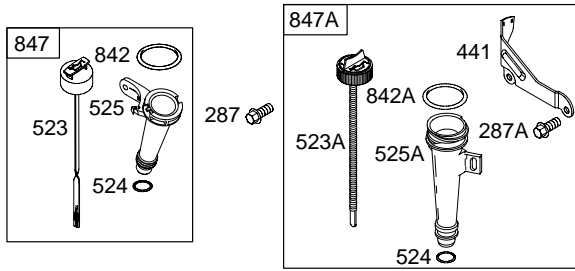
1036 EMISSION LABEL

Illustrations cover a range of engines. Parts shown without corresponding text may not be used on your specific engine.  
5586-9 Assemblies include all parts shown in frames. 5C-9/2002

# 134400



*Illustrations cover a range of engines. Parts shown without corresponding text may not be used on your specific engine.*  
5586-10 Assemblies include all parts shown in frames. 5C-9/2002



Illustrations cover a range of engines. Parts shown without corresponding text may not be used on your specific engine.  
 5586-11 Assemblies include all parts shown in frames. 5C-9/2002

# 134400

REF. NO.	PART NO.	DESCRIPTION	REF. NO.	PART NO.	DESCRIPTION	REF. NO.	PART NO.	DESCRIPTION		
1	495133	Cylinder Assembly	18B	694350	Cover-Crankcase (Plain Bearing)	27	691588	Lock-Piston Pin		
2	399269	Kit-Bushing/Seal (Magneto Side)	20	★294606	Seal-Oil (PTO Side)	28	298909	Pin-Piston (Standard)		
3	★299819	Seal-Oil (Magneto Side)	21	281658	Cap-Oil Fill			———— <b>Note</b> ———		
5	691716	Head-Cylinder	22	691662	Screw (Crankcase Cover)			298908 Pin-Piston (.005" Oversize)		
7	∅★272157	Gasket-Cylinder Head	23	399673	Flywheel	29	299430	Rod-Connecting (Standard)		
8	495774	Breather Assembly	24	222698	Key-Flywheel			———— <b>Note</b> ———		
9	∅★27549	Gasket-Breather	25	298904	Piston Assembly (Standard)			390459 Rod-Connecting (.020" Undersize)		
10	691666	Screw (Breather Assembly)			———— <b>Note</b> ———			390459 Rod-Connecting (.020" Undersize)		
11	691246	Tube-Breather			393820 Piston Assembly (.010" Oversize)	30	691759	Dipper-Connecting Rod		
12	★692213	Gasket-Crankcase (.015" Thick, Standard)			393821 Piston Assembly (.020" Oversize)	32	691664	Screw (Connecting Rod)		
		———— <b>Note</b> ———			393822 Piston Assembly (.030" Oversize)	33	211119	Valve-Exhaust		
		★270125 Gasket-Crankcase (.005" Thick)			26	399067	Ring Set (Standard)	34	261044	Valve-Intake
		★270126 Gasket-Crankcase (.009" Thick)			———— <b>Note</b> ———			35	690520	Spring-Valve (Intake)
13	691640	Screw (Cylinder Head)			399014 Ring Set (.010" Oversize)	36	692180	Spring-Valve (Exhaust)		
13A	691659	Screw (Cylinder Head)			399015 Ring Set (.020" Oversize)	37	691732	Guard-Flywheel		
14	690368	Stud (Cylinder Head)			399016 Ring Set (.030" Oversize)	40	692194	Retainer-Valve		
15	691686	Plug-Oil Drain (Square Head) (1/4" Diameter)				40A	691760	Retainer-Valve		
		———— <b>Note</b> ———				45	690509	Tappet-Valve		
		691663 Plug-Oil Drain (Square Head) (1/4" Diameter) (Magnetic)				46	695006	Camshaft (Used After Code Date 00020700)		
16	492088	Crankshaft						———— <b>Note</b> ———		
		———— <b>Note</b> ———						691164 Camshaft (Used Before Code Date 00020800).		
		397103 Crankshaft Used On Type No(s). 1011.								

★ Included in Engine Gasket Set-Ref. No.358.

● Included in Carburetor Overhaul Kit-Ref. No. 121.

∅ Included in Valve Gasket Set-Ref. No 1095.

◆ Included in Carburetor Gasket Set-Ref. No 977.

*Illustrations cover a range of engines. Parts shown without corresponding text may not be used on your specific engine.*

5586-12

Assemblies include all parts shown in frames.

5C-9/2002

REF. NO.	PART NO.	DESCRIPTION	REF. NO.	PART NO.	DESCRIPTION	REF. NO.	PART NO.	DESCRIPTION
50	691922	Manifold-Intake	117	690048	Jet-Main (Standard)	188	690297	Screw (Control Bracket)
51	∅★692283	Gasket-Intake			(Used After Code Date 98050100).	188B	690661	Screw (Control Bracket)
51A	★273113	Gasket-Intake			<b>Note</b> _____	202A	691282	Link-Mechanical Governor
54	691689	Screw (Intake Manifold)			691428 Jet-Main (Standard)	209	691816	Spring-Governor
55	691422	Housing-Rewind Starter			(Used Before Code Date 98043000).	215	691745	Guide-Air
		<b>Note</b> _____			497434 Jet-Main (Standard)	219	494845	Gear-Governor
		691421 Housing-Rewind Starter			Used On Type No(s). 0113.	220	691724	Washer (Governor Gear)
		Used On Type No(s). 1011				222	691383	Bracket-Control
58	693389	Rope-Starter (Cut To Required Length)	118	493869	Jet-Main (High Altitude)	227A	690842	Lever-Governor Control
59	396892	Insert-Grip	121	498260	Kit-Carburetor Overhaul	232A	691784	Spring-Governor Link
60	691915	Grip-Starter Rope	125	498599	Carburetor	265	691024	Clamp-Casing
60A	393152	Grip-Starter Rope			<b>Note</b> _____	267	690804	Screw (Casing Clamp)
65	690837	Screw (Rewind Starter)			495652 Carburetor	268	691072	Casing-Control Wire (48" Long)
73		Screen-Rotating (For Replacement Rotating Screen, See Ref 324 for Service)			Used On Type No(s). 0113.			(Cut To Required Length)
78	691660	Screw (Flywheel Guard)	127	●691739	Plug-Welch (5/16" Diameter)			<b>Note</b> _____
94	●493765	Kit-Idle Mixture	127A	●694468	Plug-Welch (3/8" Diameter)			691025 Casing Control Wire (72" Long)
95	691636	Screw (Throttle Valve)	130	691181	Valve-Throttle			(Cut to Required Length)
97	493556	Shaft-Throttle	133	398187	Float-Carburetor	269	691589	Wire-Control (54" Long)
98	398185	Kit-Idle Speed (Carburetor Mounted)	134	●398188	Kit-Needle/Seat			(Cut to Required Length)
98A	493280	Kit-Idle Speed (Bracket Mounted)	137	●●693981	Gasket-Float Bowl			<b>Note</b> _____
104	●691242	Pin-Float Hinge	146	690979	Key-Timing			691026 Wire-Control (78" Long)
108	691182	Valve-Choke	161	691384	Base-Air Cleaner			(Cut to Required Length)
108A	224783	Valve-Choke (Used Before Code Date 98043000).	163	∅★272948	Gasket-Air Cleaner	270	691027	Nut (Control Wire Casing)
109	498593	Shaft-Choke	170	691120	Stud (Crankcase Cover) Used On Type No(s). 0113, 0513, 1113, 1120.	271	691028	Lever-Control
		<b>Note</b> _____	182	690469	Bracket-Fuel Tank	276	●★271716	Washer-Sealing
		495651 Shaft-Choke	186	692317	Connector-Hose	287	94807	Screw (Dipstick Tube)
		Used On Type No(s). 0113.	187	691050	Line-Fuel (Cut To Required Length)			(Used After Code Date 99031400).
			187A	495218	Line-Fuel (Molded)	287A	691693	Screw (Dipstick Tube) (Used Before Code Date 99031500).

★ Included in Engine Gasket Set-Ref. No.358.

● Included in Carburetor Overhaul Kit-Ref. No. 121.

∅ Included in Valve Gasket Set-Ref. No 1095.

◆ Included in Carburetor Gasket Set-Ref. No 977.

*Illustrations cover a range of engines. Parts shown without corresponding text may not be used on your specific engine.*

# 134400

REF. NO.	PART NO.	DESCRIPTION	REF. NO.	PART NO.	DESCRIPTION	REF. NO.	PART NO.	DESCRIPTION
300	692006	Muffler	427	690355	Nut (Control Bracket)	635	66538	Boot-Spark Plug
304	495759	Housing-Blower (Black)	429	692354	Cover-Sparkplug	643	691908	Retainer-Air Filter
305A	692198	Screw (Blower Housing)	441	690448	Bracket-Oil Fill	674	690810	Screw (Fuel Tank Bracket)
306	694514	Shield-Cylinder	445	494511	Filter-Air Cleaner Cartridge	674A	692199	Screw (Fuel Tank Bracket)
307	691660	Screw (Cylinder Shield)	455		Cup-Flywheel (For Replacement Flywheel Cup, See Ref 324 for Service)	676	692010	Deflector-Muffler
308	690473	Cover-Cylinder Head	456	692299	Plate-Pawl Friction	677	690661	Screw (Muffler Deflector)
324	695161	Screen/Cup Assembly (Used After Code Date 00022100).	459	281505	Pawl-Ratchet	689	691855	Spring-Friction
332	690662	Nut (Flywheel)	497	690661	Screw (Stop Switch Bracket)	692	690572	Spring-Detent
333	397358	Armature-Magneto	504	495659	Washer Set-Friction	718	690959	Pin-Locking
334	691621	Screw (Magneto Armature)	505	691251	Nut (Governor Control Lever)	741	691847	Gear-Timing
337	802592	Plug-Spark (Resistor)	523	495264	Dipstick	823	691665	Screw (Muffler Adapter)
347	691995	Switch-Rocker	524	★691876	Seal-Dipstick Tube	832	690811	Guard-Muffler
356	690817	Wire-Stop (1 Wire, 6-1/4" Long)(Push-On Insulated Female Blade Terminal, And Internal Tooth Lockwasher Ring Terminal)	525	694379	Tube-Dipstick (Used After Code Date 99031400).	836	691693	Screw (Muffler Guard)
356A	690818	Wire-Stop (2 Wires, 5-5/8" And 4-1/4" Long)(Push-On Insulated Female Blade Terminal, Snap Connect Insulated Pin Socket, And Snap Connect Insulated Female Blade Terminal)	525A	694531	Tube-Dipstick (Used Before Code Date 99031500).	842	★691031	Seal-O Ring (Dipstick Tube) (Used After Code Date 99031400).
358	495661	Gasket Set-Engine	529	692187	Grommet	842A	★691870	Seal-O Ring (Dipstick Tube) (Used Before Code Date 99031500).
360	690958	Nut (Fuel Tank Bracket)	552	690508	Bushing-Governor Crank	843	691322	Sleeve-Lever
363	19069	Flywheel Puller	562	691119	Bolt (Governor Control Lever)	843A	691895	Sleeve Lever
365	691688	Screw (Carburetor)	592	690800	Nut (Rewind Starter)	847	694381	Dipstick/Tube Assembly (Used After Code Date 99031400).
383	89838	Wrench-Spark Plug	597	691696	Screw (Pawl Friction Plate)	847A	691379	Dipstick/Tube Assembly (Used Before Code Date 99031500).
404	691691	Washer (Governor Crank)	601	95162	Clamp-Hose (Green)	851	493880	Terminal-Spark Plug
415	691363	Plug (For High Oil Fill Hole)	601A	691038	Clamp-Hose (Black)	864	690812	Adapter-Muffler
425	690670	Screw (Air Cleaner Cover)	608	497830	Starter-Rewind	869	691705	Seat-Valve (Intake)
			613A	691693	Screw (Muffler)	870	691856	Seat-Valve (Exhaust) (Cobalite®)
			614	691620	Pin-Cotter	871	262001	Bushing-Valve Guide (Exhaust Valve)
			616	692016	Crank-Governor	<b>Note</b>		
			627	690474	Bracket-Stop Switch	63709		Bushing-Valve Guide (Intake Valve)
			633	◆693867	Seal-Choke/Throttle Shaft	883	∅★692237	Gasket-Exhaust
			633A	◆◆691321	Seal-Choke/Throttle Shaft			

★ Included in Engine Gasket Set-Ref. No.358.

● Included in Carburetor Overhaul Kit-Ref. No. 121.

∅ Included in Valve Gasket Set-Ref. No 1095.

◆ Included in Carburetor Gasket Set-Ref. No 977.

*Illustrations cover a range of engines. Parts shown without corresponding text may not be used on your specific engine.*

5586-14

Assemblies include all parts shown in frames.

5C-9/2002

REF. NO.	PART NO.	DESCRIPTION	REF. NO.	PART NO.	DESCRIPTION	REF. NO.	PART NO.	DESCRIPTION
957	493988	Cap-Fuel Tank	1036	695099	Label-Emission (Used After Code Date 9909300).	1058	274785	Owner's Manual
958	494769	Valve-Fuel Shut-Off				1095	498531	Gasket Set-Valve
967	492889	Filter-Pre Cleaner				1167	691693	Screw (Governor Control Lever)
968	691327	Cover-Air Cleaner			<b>Note</b> _____			
971	690370	Screw (Air Cleaner Base)			694516 Label-Emission (Used After Code Date 98123100 and Before Code Date 99010100).	1194	691876	Seal-O Ring (Plug)
972	495345	Tank-Fuel			499348 Label-Emission (Used After Code Date 97052500 and Before Code Date 99010200).	1210	498144	Pulley/Spring Assembly (Pulley)
975	493640	Bowl-Float				1211	498144	Pulley/Spring Assembly (Spring)
977	498261	Gasket Set-Carburetor						
978	★273326	Gasket-Oil Gard ®						
979	691382	Cover-Oil Gard ®						
982	690351	Screw (OIL GARD ® Cover)						
994	690813	Arrestor-Spark						
1019	495861	Kit-Label						

★ Included in Engine Gasket Set-Ref. No.358.

● Included in Carburetor Overhaul Kit-Ref. No. 121.

∅ Included in Valve Gasket Set-Ref. No 1095.

◆ Included in Carburetor Gasket Set-Ref. No 977.

*Illustrations cover a range of engines. Parts shown without corresponding text may not be used on your specific engine.*