

# Illustrated Parts List

## Model Series

### 133700 to 133799

#### TYPE NUMBERS

0002, 0015, 0016,  
0017, 0027, 0100,  
0102, 0105, 0106,  
0108, 0124, 0127,  
0129, 0130, 0131,  
0137 through 0142,  
0145 through 0150,  
0153, 0158, 0170,  
0181.

#### TO FIND

#### THE CORRECT NUMBER OF THE PART YOU NEED: FOLLOW THE INSTRUCTIONS BELOW

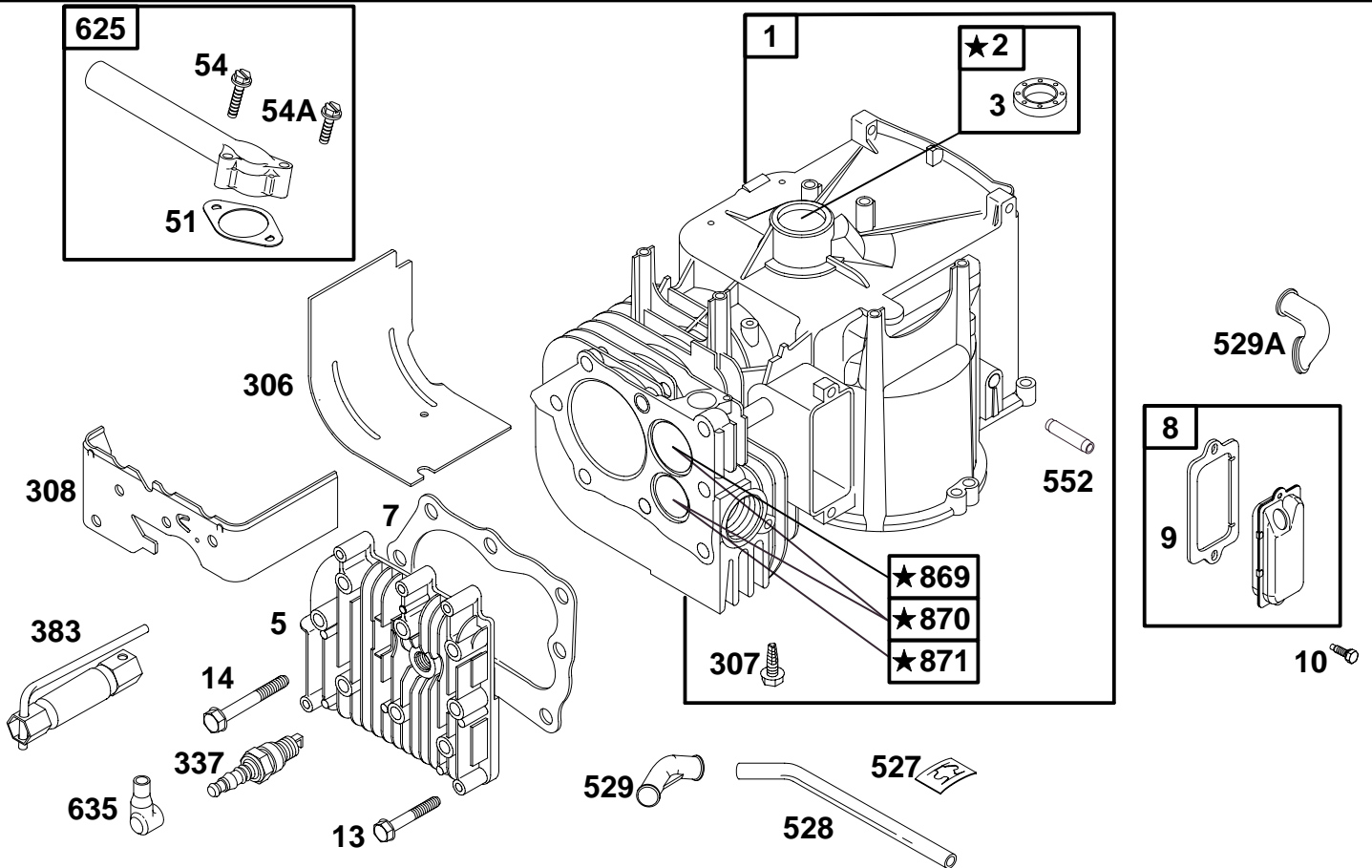
- A. Refer to Engine Model, Type and Code Number that is stamped on the blower housing of engine. Engine type numbers such as 0123 01 are listed only as 0123 in most instances. The two digits (01 or 02, etc.) to the right of the space may be required for more accurate parts identification in some instances. Select the Illustrated Parts List covering the correct Model Series and Type Number.
- B. Refer to the Illustrations and compare the original part with Illustration. The number next to the illustration is the Reference Number. Assemblies include all parts shown in frames. All parts shown in assembly frames having individual reference numbers can be purchased separately.
- C. After the Reference Number has been identified, refer to the Numerical text, where Reference and Primary Part Number are listed. **THE PRIMARY PART IS USED ON ALL TYPE NUMBERS EXCEPT THOSE TYPE NUMBERS UNDER "NOTE."**
- D. If a "Note" appears below the Primary Part Number, it means that this part differs from the Primary Part for certain types. If your Type number is listed under "Note," order the part referred to at the "Note."
- E. If your Engine Type Number does not appear after any part number listed under "Note," use the Primary Part Number.
- F. For Engine Type Numbers not covered by this book, check other Parts Lists having the same engine model or contact your source of supply.

PRINTED IN U.S.A.



COPYRIGHT by BRIGGS & STRATTON CORPORATION  
All rights reserved. No part of this material may be reproduced or transmitted, in any form or by any means, electronic or mechanical, including photocopying, recording or by any information storage and retrieval system, without permission in writing from Briggs & Stratton Corporation.

# 133700 to 133799



★ **REQUIRES SPECIAL TOOLS TO INSTALL. SEE REPAIR INSTRUCTION MANUAL.**

**1019 LABEL KIT**

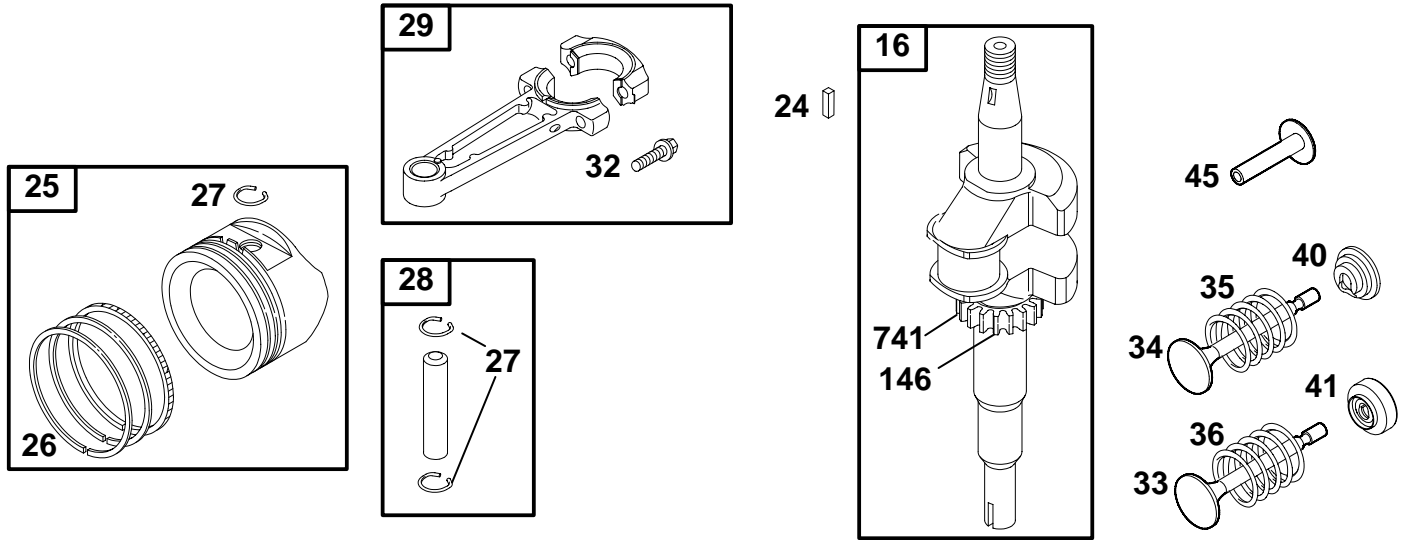
**1058 OWNER'S MANUAL**

REF. NO.	PART NO.	DESCRIPTION	REF. NO.	PART NO.	DESCRIPTION	REF. NO.	PART NO.	DESCRIPTION
1	496487	Cylinder Assembly	54	93367	Screw-Hex.	625	490193	Manifold-Intake
2	399268	Bushing	54A	93512	Screw-Hex.	635	66538	Boot-Spark Plug
3	★299819	Seal-Oil	306	223804	Shield-Cylinder	869	211787	Seat-Valve (Intake)
5	214040	Head-Cylinder	307	94680	Screw-Hex.	870	211436	Seat-Valve (Exhaust) (Exhaust)
7	∅★272157	Gasket-Cylinder Head	308	224876	Cover-Cylinder	871	262001	Bushing-Guide (Exhaust Valve)
8	495758	Breather Assembly	337	802592	Plug-Spark (Resistor Type)			<b>Note</b>
9	∅★27549	Gasket-Breather	383	89838	Wrench-Spark Plug			63709 Bushing-Guide (Intake Valve)
10	94621	Screw-Hex.	527	93376	Clip			
13	94221	Screw-Hex. (2 3/32" Long)	528	231879	Tube-Breather			
14	94679	Screw-Hex. (2 15/32" Long)	529	281299	Grommet			
51	★270070	Gasket-Intake	529A	67738	Grommet	1019	496660	Label Kit
			552	231078	Bushing-Governor Crank	1058	272704	Owner's Manual

★ Included in Gasket Set-Part No. 496659.  
 ● Included in Carburetor Kit-Part No. 493762.

◆ Included in Carburetor Gasket Set-Part No. 490937.  
 ∅ Included in Valve Overhaul Gasket Set-Part No. 498532.

**133700 to 133799**

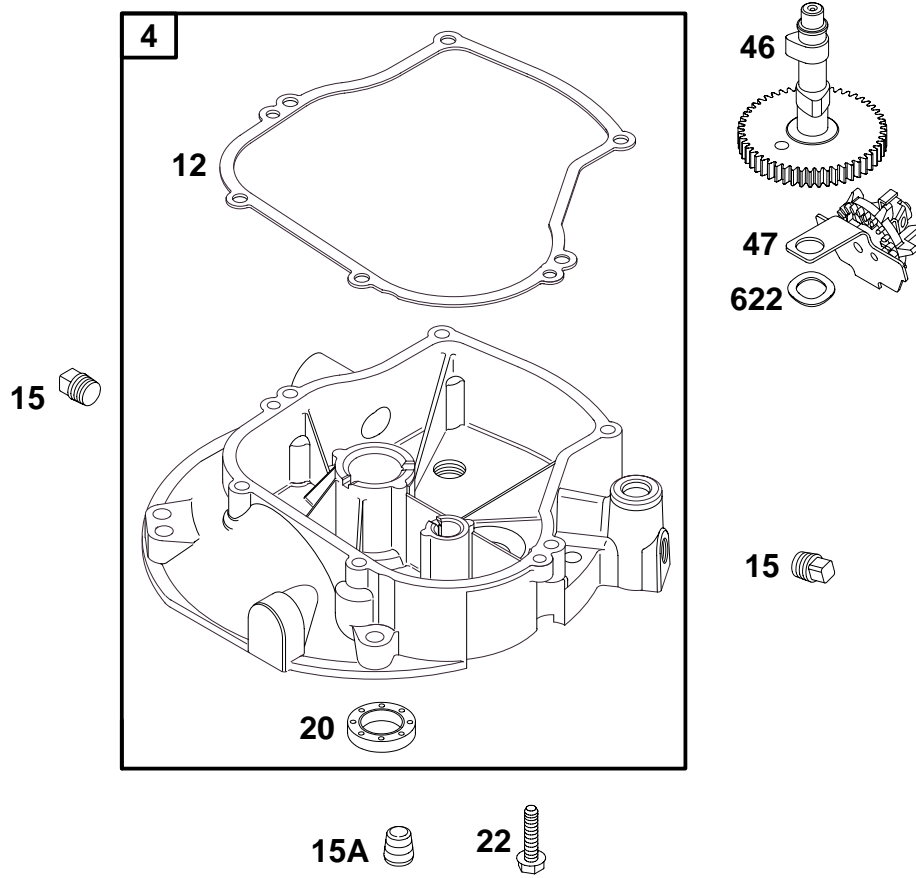


REF. NO.	PART NO.	DESCRIPTION	REF. NO.	PART NO.	DESCRIPTION	REF. NO.	PART NO.	DESCRIPTION
16	495473	Crankshaft <b>Note</b> 397109 Crankshaft Used on Type No(s). 0015, 0139. 492092 Crankshaft Used on Type No(s). 0138. 493410 Crankshaft Used on Type No(s). 0017, 0027, 0141, 0147. 493634 Crankshaft Used on Type No(s). 0145, 0148. 495475 Crankshaft Used on Type No(s). 0002, 0102, 0124, 0127, 0129, 0130, 0142. 496842 Crankshaft Used on Type No(s). 0140, 0146, 0153, 0158, 0170. 498234 Crankshaft Used on Type No(s). 0150.	25	393819	Piston Assembly (Standard) 393820 Piston Assy. (.010" O.S.) 393821 Piston Assy. (.020" O.S.) 393822 Piston Assy. (.030" O.S.)	33	262464	Valve-Exhaust <b>Note</b> 211119 Valve-Exhaust Used on Type No(s). 0140, 0153, 0170.
24	222698	Key-Flywheel	26	399067	Ring Set (Standard) 399014 Ring Set (.010" O.S.) 399015 Ring Set (.020" O.S.) 399016 Ring Set (.030" O.S.)	34	261044	Valve-Intake
			27	26026	Lock-Piston Pin	35	260552	Spring-Valve (Intake)
			28	298909	Pin-Piston (Standard) 298908 Pin-Piston (.005" O.S.)	36	262750	Spring-Valve (Exhaust) <b>Note</b> 26478 Spring-Valve (Exhaust) Used on Type No(s). 0140, 0153, 0170.
			29	299430	Rod-Connecting (Standard) 390459 Rod- Connecting (.020" Undersize)	40	93312	Retainer-Valve
			32	94699	Screw-Hex.	41	491442	Retainer-Valve (Exhaust)
						45	260642	Tappet-Valve
						146	94388	Key-Timing <b>Note</b> 230978 Pin- Crankshaft (Used Before Code Date 94062800).
						741	262992	Gear-Timing <b>Note</b> 261696 Gear-Timing (Used Before Code Date 94062800). <b>Use(s):</b> 230978 Pin- Crankshaft

★ Included in Gasket Set-Part No. 496659.  
● Included in Carburetor Kit-Part No. 493762.

◆ Included in Carburetor Gasket Set-Part No. 490937.  
⊘ Included in Valve Overhaul Gasket Set-Part No. 498532.

# 133700 to 133799

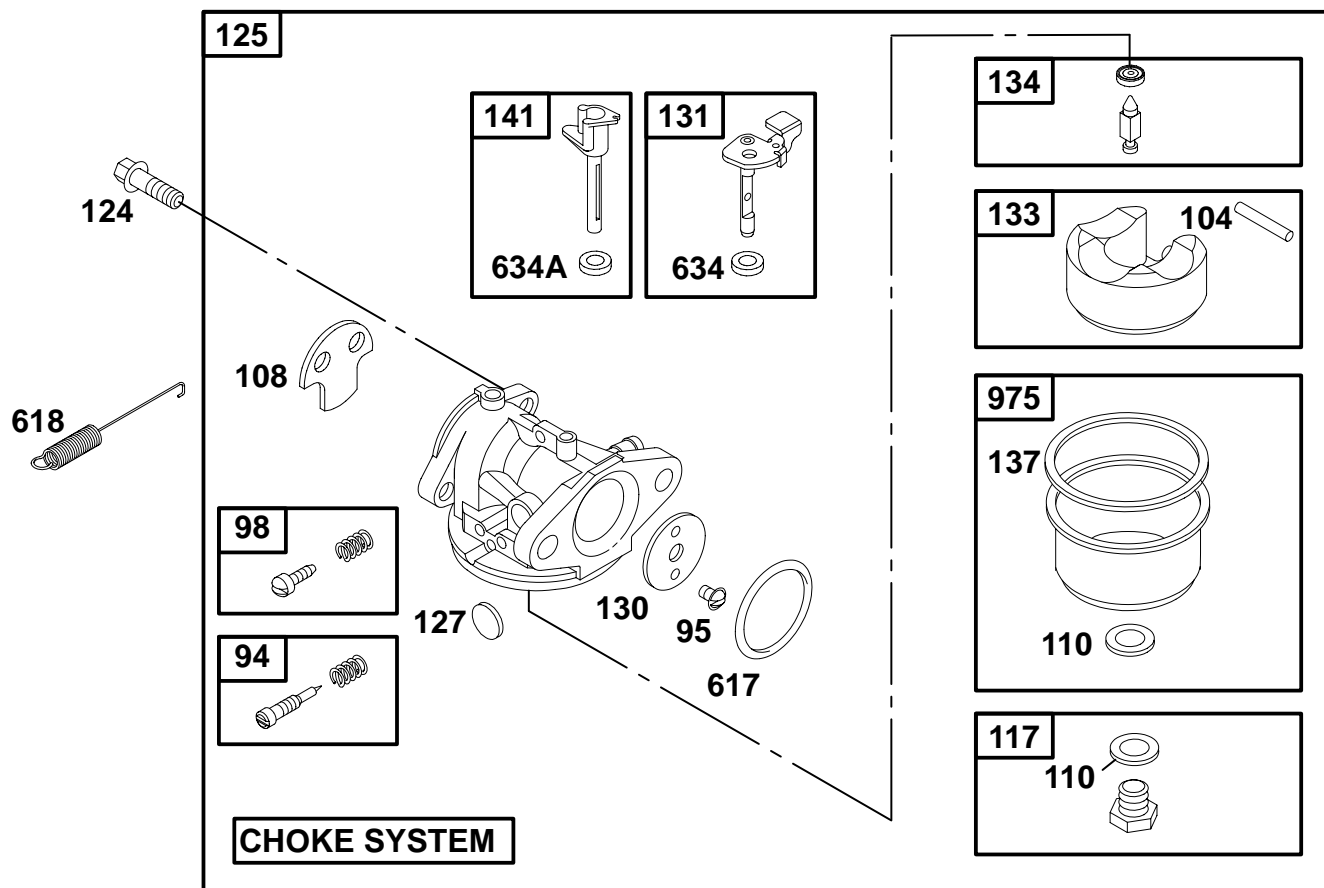


REF. NO.	PART NO.	DESCRIPTION	REF. NO.	PART NO.	DESCRIPTION	REF. NO.	PART NO.	DESCRIPTION
4	496644	Base-Engine	15	94239	Plug-Oil Drain Square Head	20	★391485	Seal-Oil
12	★270069	Gasket-Crankcase	15A	94880	Plug-Oil Drain Hex Pocket Head	22	94682	Screw-Hex.
	★270122	Gasket-Crankcase (.005" Thick)			<b>Note</b>	46	212733	Gear-Cam
	★270123	Gasket-Crankcase (.009" Thick)			94898 Plug-Oil Drain Used on Type No(s). 0158, 0170.	47	496544	Governor/Oil-Slinger
						622	260676	Washer-Spring

★ Included in Gasket Set-Part No. 496659.  
 ● Included in Carburetor Kit-Part No. 493762.

◆ Included in Carburetor Gasket Set-Part No. 490937.  
 ∅ Included in Valve Overhaul Gasket Set-Part No. 498532.

**133700 to 133799**

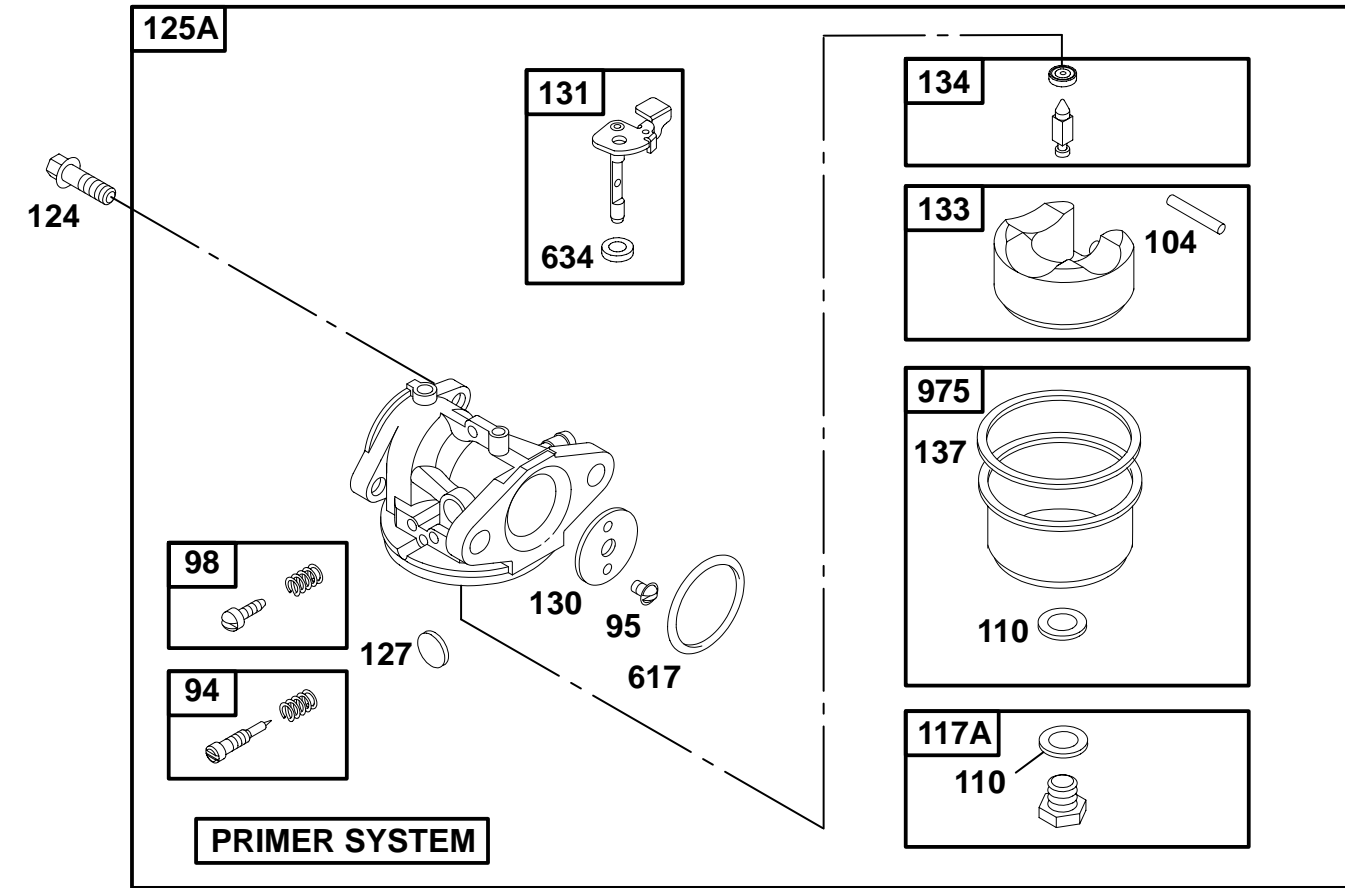


REF. NO.	PART NO.	DESCRIPTION	REF. NO.	PART NO.	DESCRIPTION	REF. NO.	PART NO.	DESCRIPTION
94	●493765	Valve-Idle Adjustment	124	94840	Screw-Torx® Hex.	617	●◆270344	Seal-Intake Manifold
95	94098	Screw-Slotted	125	496649	Carburetor	618	262749	Spring (Choke)
98	398185	Screw-Idle Speed	127	●	Plug-Welch	634	●◆280566	Washer-Foam
104	●231371	Pin-Float Hinge			(Sold in Kit Only)	634A	●◆	Seal-Choke Shaft (Sold in Kit Only)
108	223471	Valve-Choke	130	223470	Valve-Throttle	975	493640	Bowl-Float
110	●◆	Gasket-Sealing (Sold in Kit Only)	131	496727	Shaft-Throttle			
117	493869	Jet-Main (Standard)	133	398187	Float-Carburetor			
		<b>Note</b>	134	●398188	Valve-Needle			
		493763 Jet-Main (High Altitude)	137	●◆	Gasket-Float Bowl (Sold in Kit Only)			
			141	494218	Shaft-Choke			

★ Included in Gasket Set-Part No. 496659.  
● Included in Carburetor Kit-Part No. 493762.

◆ Included in Carburetor Gasket Set-Part No. 490937.  
∅ Included in Valve Overhaul Gasket Set-Part No. 498532.

# 133700 to 133799



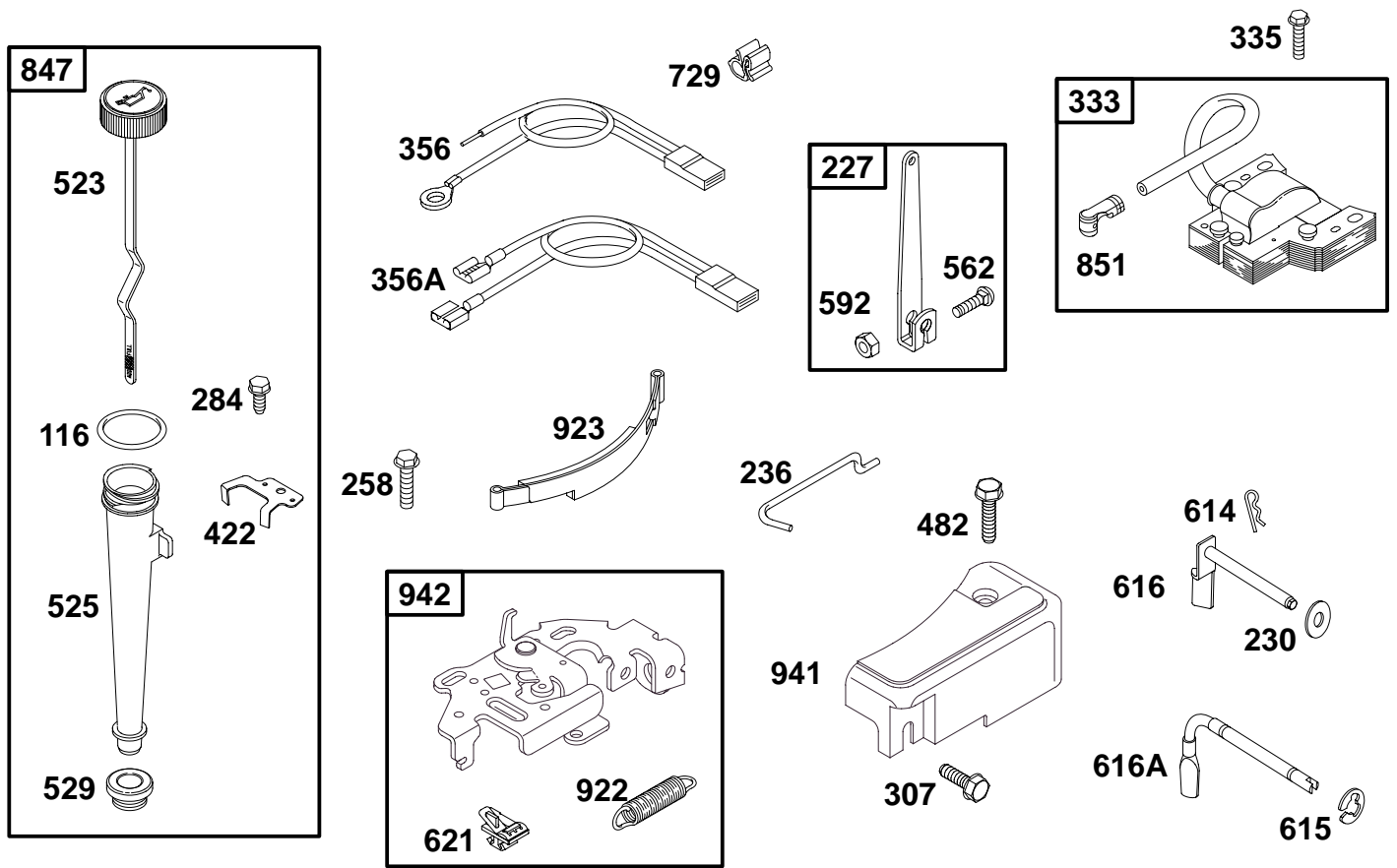
REF. NO.	PART NO.	DESCRIPTION	REF. NO.	PART NO.	DESCRIPTION	REF. NO.	PART NO.	DESCRIPTION
94	●493765	Valve-Idle Adjustment	124	94840	Screw-Torx® Hex.	134	●398188	Valve-Needle
95	94098	Screw-Slotted	125A	497300	Carburetor	137	◆	Gasket-Float Bowl (Sold in Kit Only)
98	398185	Screw-Idle Speed	127	●	Plug-Welch (Sold in Kit Only)	617	◆270344	Seal-Intake Manifold
104	●231371	Pin-Float Hinge	130	223470	Valve-Throttle	634	◆280566	Washer-Foam
110	◆	Gasket-Sealing (Sold in Kit Only)	131	496727	Shaft-Throttle	975	493640	Bowl-Float
117A	493763	Jet-Main (Standard)	133	398187	Float-Carburetor			
		<b>Note</b>						
		493637 Jet-Main (High Altitude)						

★ Included in Gasket Set-Part No. 496659.  
● Included in Carburetor Kit-Part No. 493762.

◆ Included in Carburetor Gasket Set-Part No. 490937.  
∅ Included in Valve Overhaul Gasket Set-Part No. 498532.



# 133700 to 133799



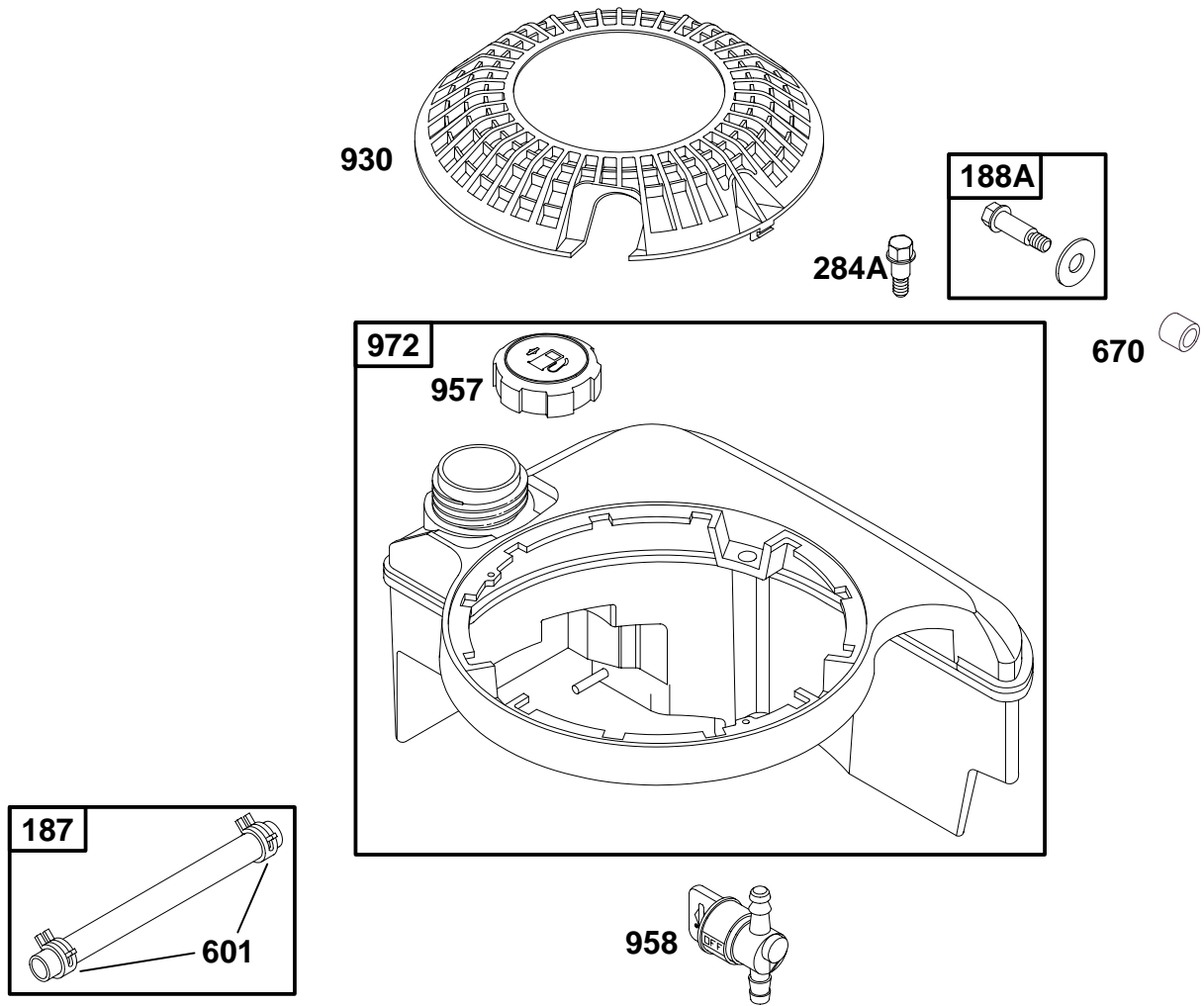
REF. NO.	PART NO.	DESCRIPTION	REF. NO.	PART NO.	DESCRIPTION	REF. NO.	PART NO.	DESCRIPTION
116	★270920	Seal-O-Ring	422	224903	Clamp	616	495242	Crank-Governor
227	391967	Lever-Governor	482	93621	Screw-Hex.	616A	231076	Crank-Governor
230	94927	Washer-Flat	523	495228	Dipstick	621	396847	Switch-Stop
236	262461	Link-Lock Out	525	280133	Tube-Oil Fill	729	280470	Clip-Wire
258	94018	Screw-Hex.	529	★281370	Seal-Fill Tube	847	496271	Tube-Oil Fill
284	94602	Screw-Hex.	562	92613	Bolt-Governor Lever	851	221798	Terminal-Cable
307	94680	Screw-Hex.	592	231082	Nut-Hex.	922	261647	Spring-Brake
333	397358	Armature-Magneto	614	93306	Pin-Cotter	923	394867	Brake
335	93414	Screw-Hex.	615	93307	Retainer (E Ring)	941	281285	Cover-Linkage
356	398808	Wire-Stop				942	493248	Bracket-Brake
356A	398838	Wire-Stop						

★ Included in Gasket Set-Part No. 496659.  
 ● Included in Carburetor Kit-Part No. 493762.

◆ Included in Carburetor Gasket Set-Part No. 490937.  
 ∅ Included in Valve Overhaul Gasket Set-Part No. 498532.



**133700 to 133799**

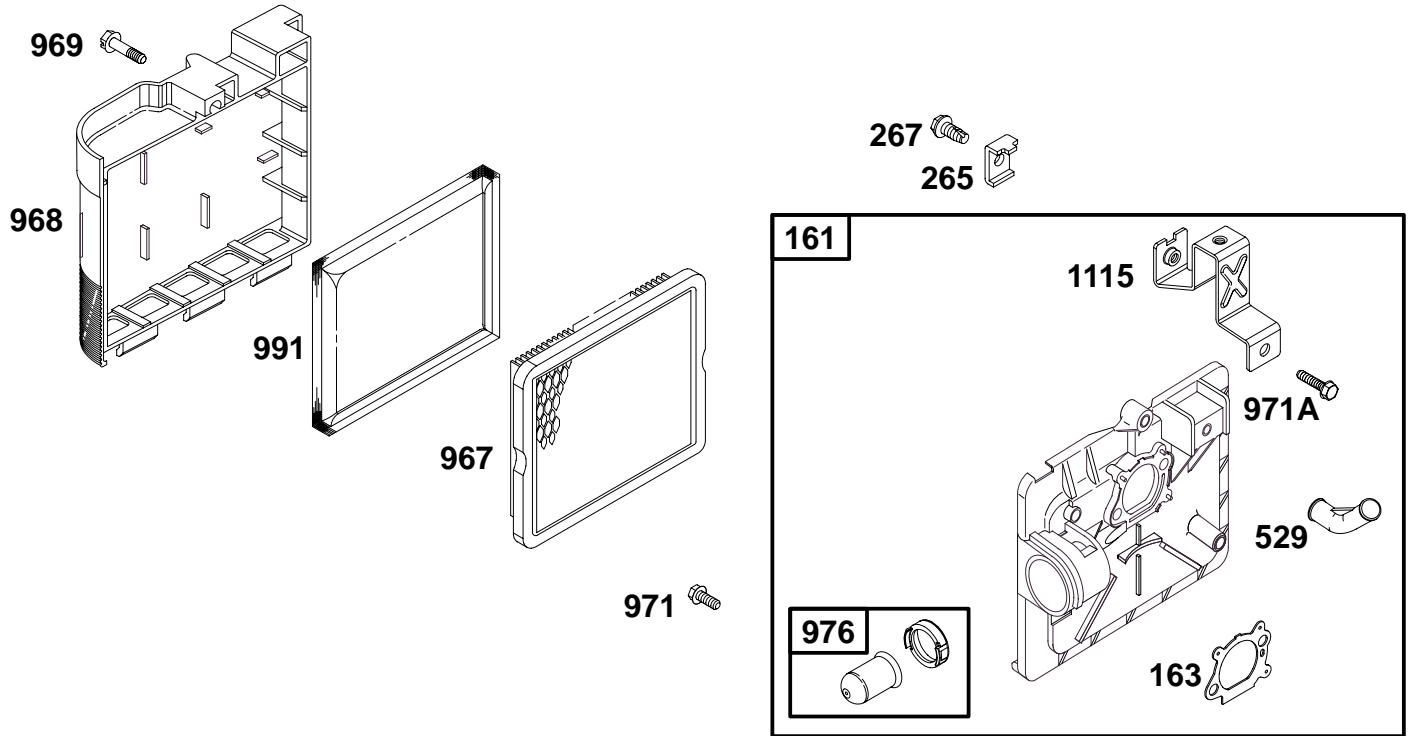


REF. NO.	PART NO.	DESCRIPTION	REF. NO.	PART NO.	DESCRIPTION	REF. NO.	PART NO.	DESCRIPTION
187	298049	Line-Fuel (Cut To Required Length)	284A	94511	Screw-Shoulder	958	494768	Valve-Shut-Off
188A	496410	Screw-Shoulder (Includes Nylon Washer)	601	93053	Clamp-Hose	972	495224	Tank-Fuel
			670	281362	Spacer			
			930	281136	Guard-Rewind			
			957	397974	Cap-Fuel Tank			

★ Included in Gasket Set-Part No. 496659.  
● Included in Carburetor Kit-Part No. 493762.

◆ Included in Carburetor Gasket Set-Part No. 490937.  
∅ Included in Valve Overhaul Gasket Set-Part No. 498532.

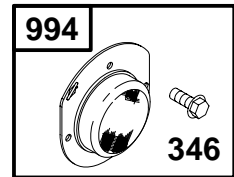
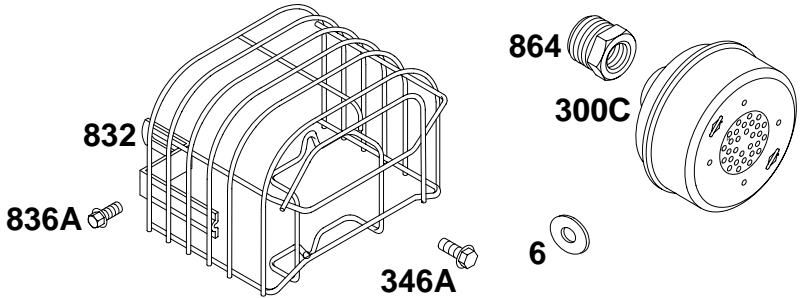
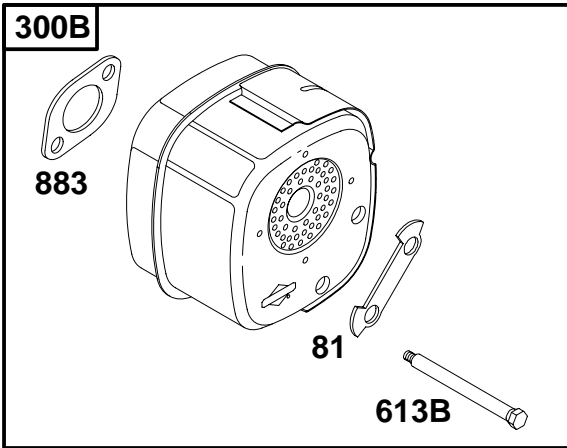
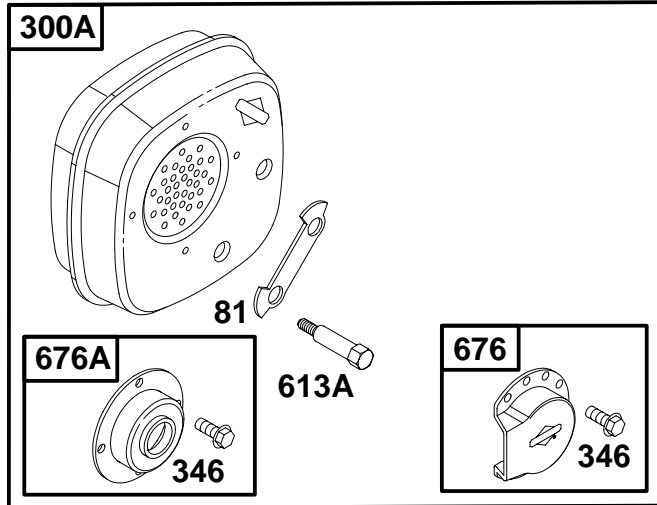
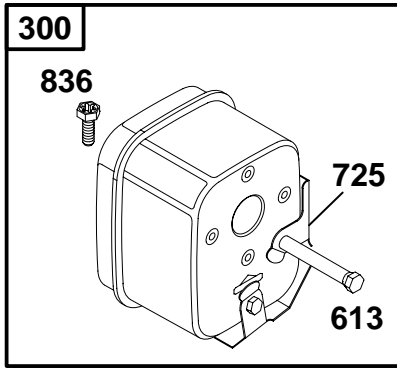
# 133700 to 133799



REF. NO.	PART NO.	DESCRIPTION	REF. NO.	PART NO.	DESCRIPTION	REF. NO.	PART NO.	DESCRIPTION
161	496116	Base—Air Cleaner	967	491588	Filter—Air	976	496115	Primer—Carburetor
163	★272653	Gasket—Air Cleaner	968	281340	Cover—Air Cleaner			Used on Type No(s). 0138, 0140, 0153, 0158, 0170, 0181.
265	221535	Clamp—Casing	969	94120	Screw—Slotted Hex.	991	493537	Filter—Air (Foam)
267	94694	Screw—Slotted Hex.	971	94121	Screw—Hex.	1115	224815	Bracket—Support
529	281299	Grommet	971A	94749	Screw—Hex.			

★ Included in Gasket Set—Part No. 496659.  
● Included in Carburetor Kit—Part No. 493762.

◆ Included in Carburetor Gasket Set—Part No. 490937.  
⊘ Included in Valve Overhaul Gasket Set—Part No. 498532.

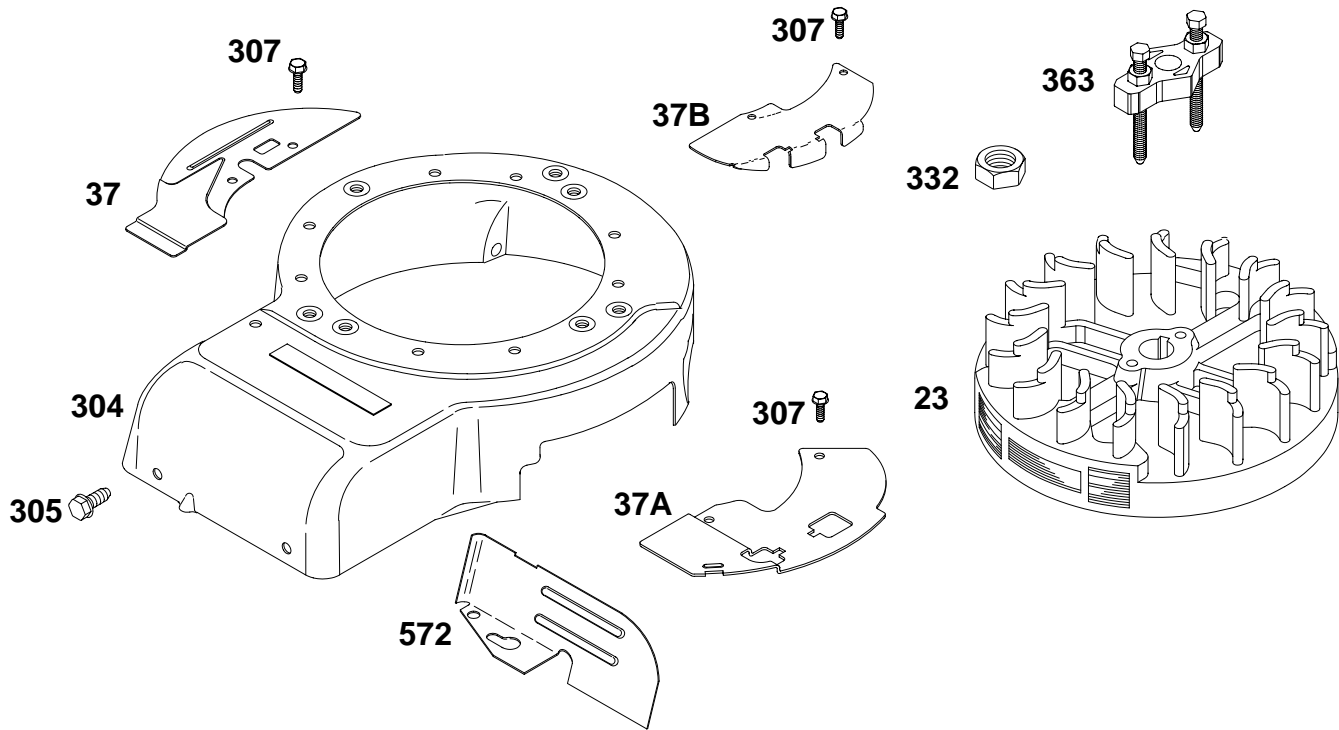


REF. NO.	PART NO.	DESCRIPTION	REF. NO.	PART NO.	DESCRIPTION	REF. NO.	PART NO.	DESCRIPTION	
6	94942	Washer Used on Type No(s). 0138, 0139.	613	94054	Screw—Shoulder	725	224649	Shield—Heat	
81	222263	Lock—Muffler Screw	613A	93935	Screw—Shoulder	832	492940	Guard—Muffler	
300	396001	Muffler—Exhaust	613B	94042	Screw—Shoulder	836	94905	Screw—Torx®Hex.	
300A	494585	Muffler—Exhaust	676	393757	Deflector—Muffler	836A	93415	Screw—Hex. (Guard to Cyl. Hd.)	
300B	390918	Muffler—Exhaust			<b>Note</b>	864	231989	Adapter—Muffler	
300C	394569	Muffler—Exhaust			494423	Deflector—Muffler	883	Ø★272309	Gasket—Exhaust
346	94896	Screw—Hex.			Used on Type No(s). 0002.	994	399541	Arrester—Spark	
346A	94186	Screw—Hex. (Guard to Muffler)	676A	395700	Deflector—Muffler				

★ Included in Gasket Set—Part No. 496659.  
● Included in Carburetor Kit—Part No. 493762.

◆ Included in Carburetor Gasket Set—Part No. 490937.  
Ø Included in Valve Overhaul Gasket Set—Part No. 498532.

**133700 to 133799**

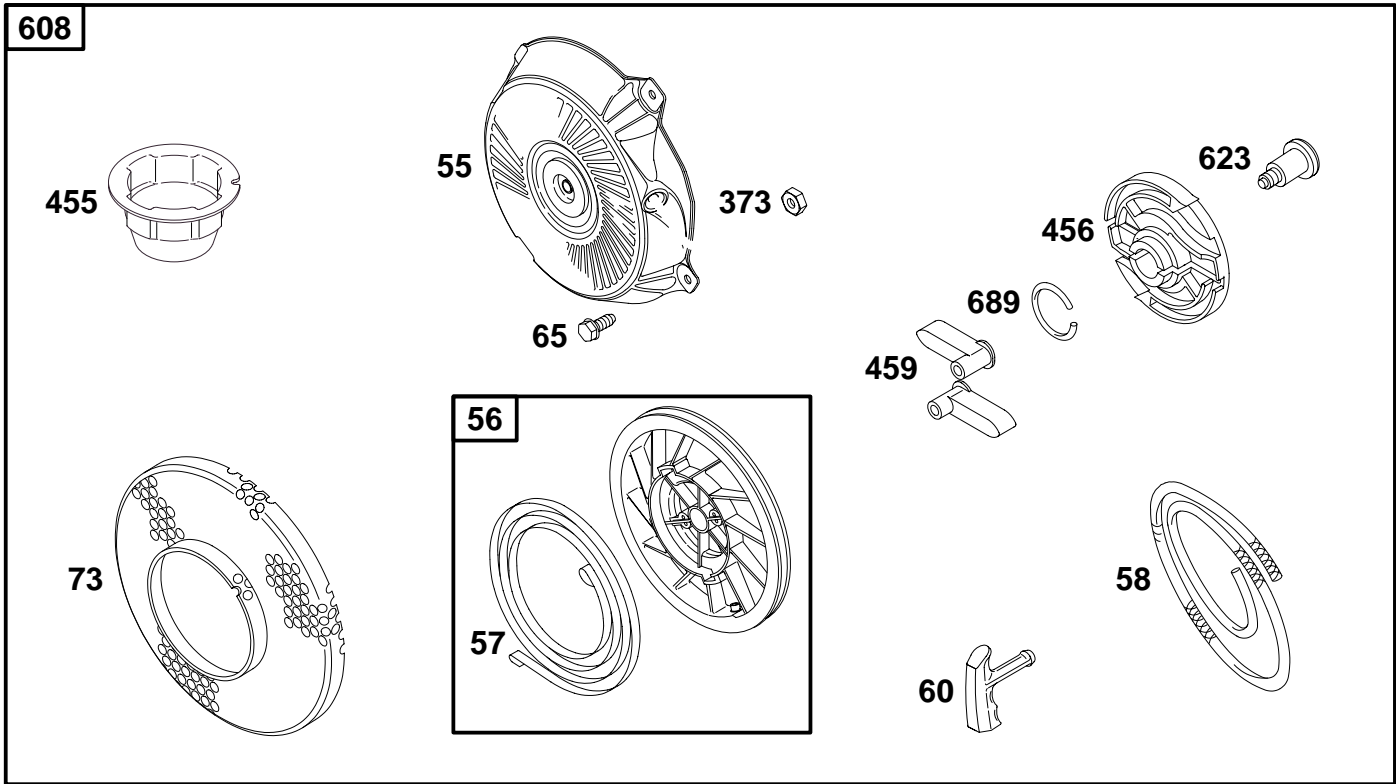


REF. NO.	PART NO.	DESCRIPTION	REF. NO.	PART NO.	DESCRIPTION	REF. NO.	PART NO.	DESCRIPTION
23	399673	Flywheel	304	496229	Housing-Blower (Used on Engines Without Band Brake)	305	94786	Screw-Hex.
37	222443	Guard-Flywheel			<b>Note</b>	307	94680	Screw-Hex.
37A	224904	Guard-Flywheel			496227 Housing Blower (Used on Engines With Band Brake)	332	92284	Nut-Flywheel
37B	223687	Guard-Flywheel				363	19069	Flywheel Puller
						572	223886	Guide-Air

★ Included in Gasket Set-Part No. 496659.  
● Included in Carburetor Kit-Part No. 493762.

◆ Included in Carburetor Gasket Set-Part No. 490937.  
⊘ Included in Valve Overhaul Gasket Set-Part No. 498532.

**133700 to 133799**

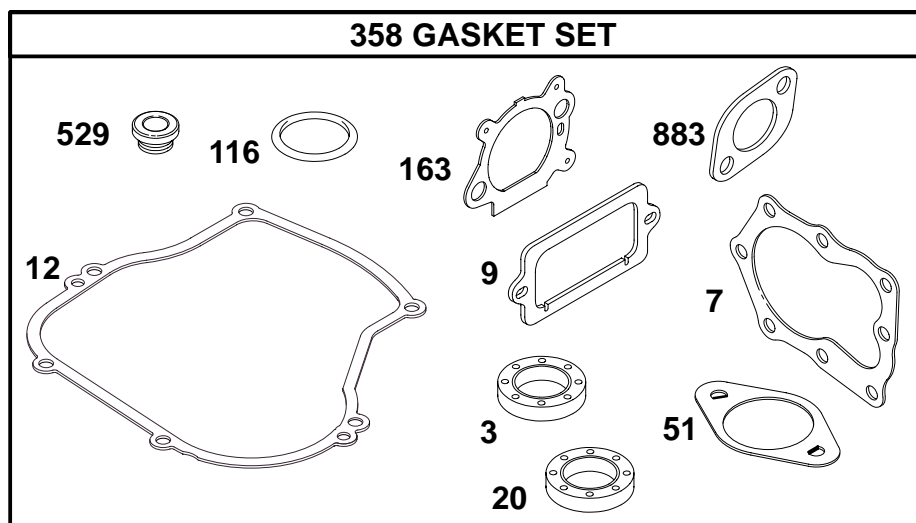
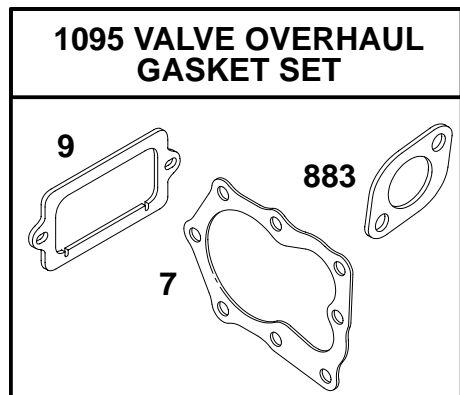
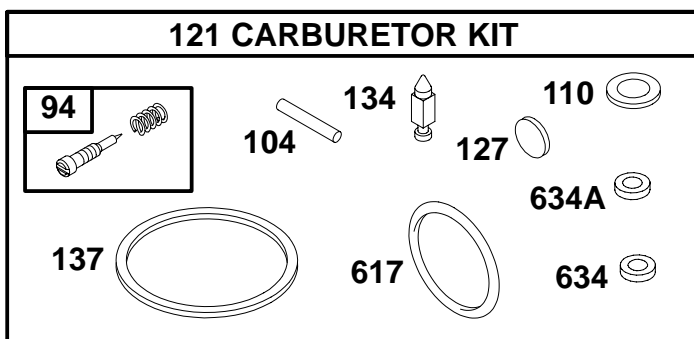
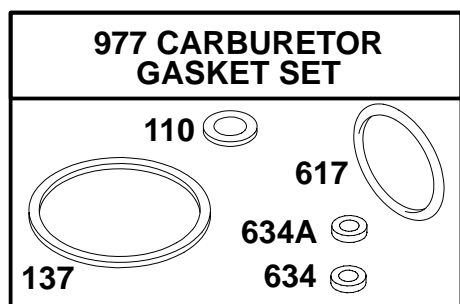


REF. NO.	PART NO.	DESCRIPTION	REF. NO.	PART NO.	DESCRIPTION	REF. NO.	PART NO.	DESCRIPTION
55	497440	Housing–Rewind Starter	60	281434	Grip–Starter Rope	455	225121	Cup–Flywheel
56	498144	Pulley–Starter	65	94904	Screw–Hex.	456	281503	Retainer–Spring
57	498144	Spring–Rewind Starter	73	225176	Screen–Rotating	459	281505	Pawl–Ratchet
58	280399	Rope–Starter (Cut To Required Length)	373	94908	Nut–Hex.	608	496650	Starter–Rewind
						623	94943	Screw–Shoulder
						689	263073	Spring–Friction

★ Included in Gasket Set–Part No. 496659.  
 ● Included in Carburetor Kit–Part No. 493762.

◆ Included in Carburetor Gasket Set–Part No. 490937.  
 ⌀ Included in Valve Overhaul Gasket Set–Part No. 498532.

# 133700 to 133799



REF. NO.	PART NO.	DESCRIPTION	REF. NO.	PART NO.	DESCRIPTION	REF. NO.	PART NO.	DESCRIPTION
3	★299819	Seal-Oil	51	★270070	Gasket-Intake	163	★272653	Gasket-Air Cleaner
7	∅★272157	Gasket-Cylinder Head	94	●493765	Valve-Idle Adjustment	358	496659	Gasket Set
9	∅★27549	Gasket-Breather	104	●231371	Pin-Float Hinge	529	★281370	Seal-Fill Tube
12	★270069	Gasket-Crankcase	110	◆	Gasket-Sealing (Sold in Kit Only)	617	●◆270344	Seal-Intake Manifold
	<b>Note</b>		116	★270920	Seal-O-Ring	634	●◆280566	Washer-Foam
		★270122 Gasket-Crankcase (.005" Thick)	121	493762	Carburetor Kit	634A	◆	Seal-Choke Shaft (Sold in Kit Only)
		★270123 Gasket-Crankcase (.009" Thick)	127	●	Plug-Welch (Sold in Kit Only)	883	∅★272309	Gasket-Exhaust
20	★391485	Seal-Oil	134	●398188	Valve-Needle	977	490937	Gasket Set-Carburetor
			137	◆	Gasket-Float Bowl (Sold in Kit Only)	1095	498532	Gasket Set-Valve Overhaul

★ Included in Gasket Set-Part No. 496659.  
● Included in Carburetor Kit-Part No. 493762.

◆ Included in Carburetor Gasket Set-Part No. 490937.  
∅ Included in Valve Overhaul Gasket Set-Part No. 498532.