

133400

Illustrated Parts List

Model Series

133400

TYPE NUMBERS
0001 through 2011.

For Use On Engines Built Before Date Code – 02011800

TABLE OF CONTENTS

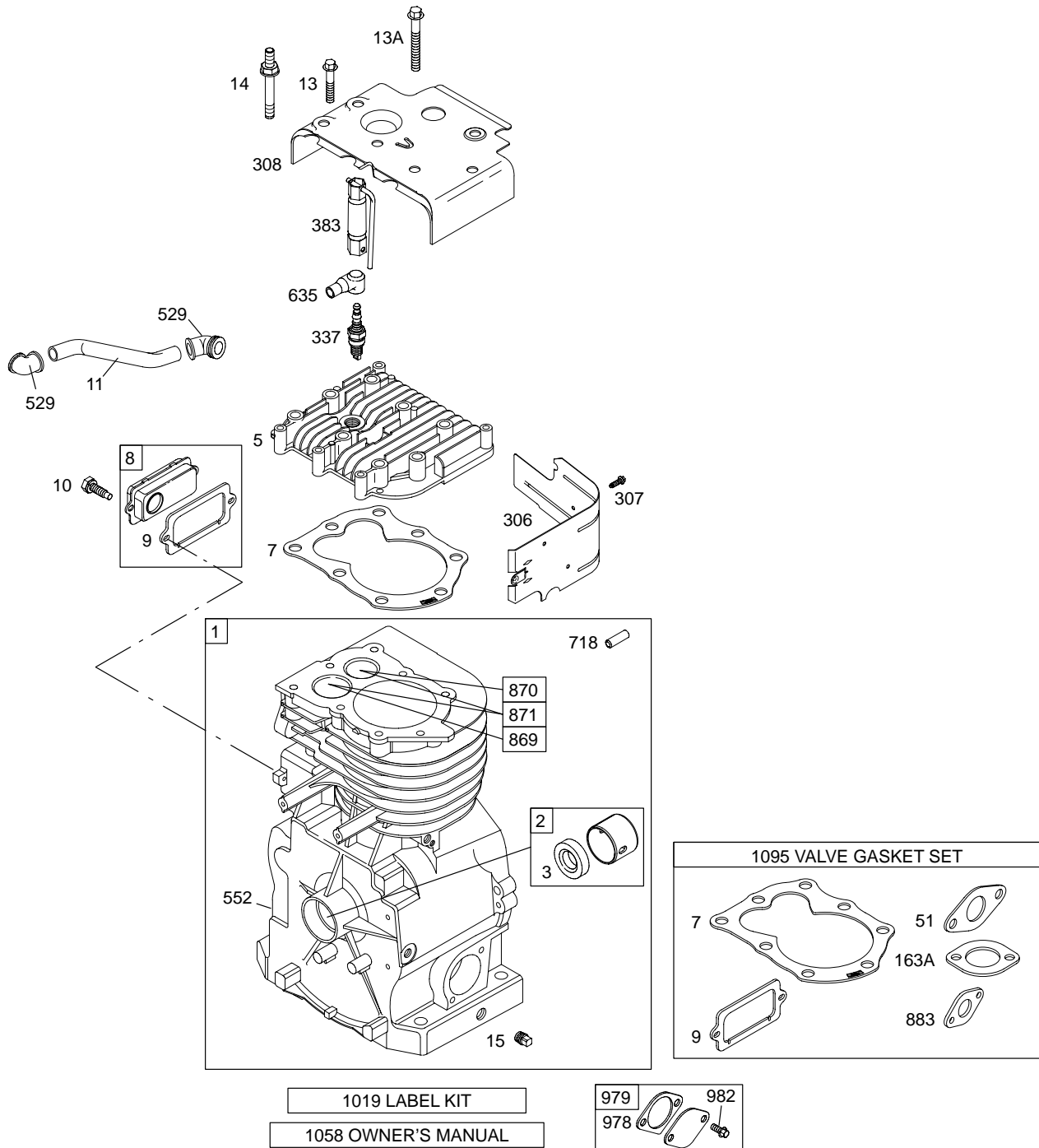
Air Cleaner	8
Alternator	7
Blower Housing/Shrouds	9
Cam	3
Carburetors	5
Controls	7
Crankcase Cover/Sump	4
Crankshaft	3
Cylinder	2
Electric Starter	10
Flywheel	9
Fuel Tank	6
Gear Reducer	11
Governor Spring	7
Head	2
Ignition	7
Kits/Gaskets – Carburetor	5
Kits/Gaskets – Engine	6
Kits/Gaskets – Valves	2
Muffler	8
Oil Group	11
Piston Group	3
Rewind Starters	10
Valves	3

PRINTED IN U.S.A.

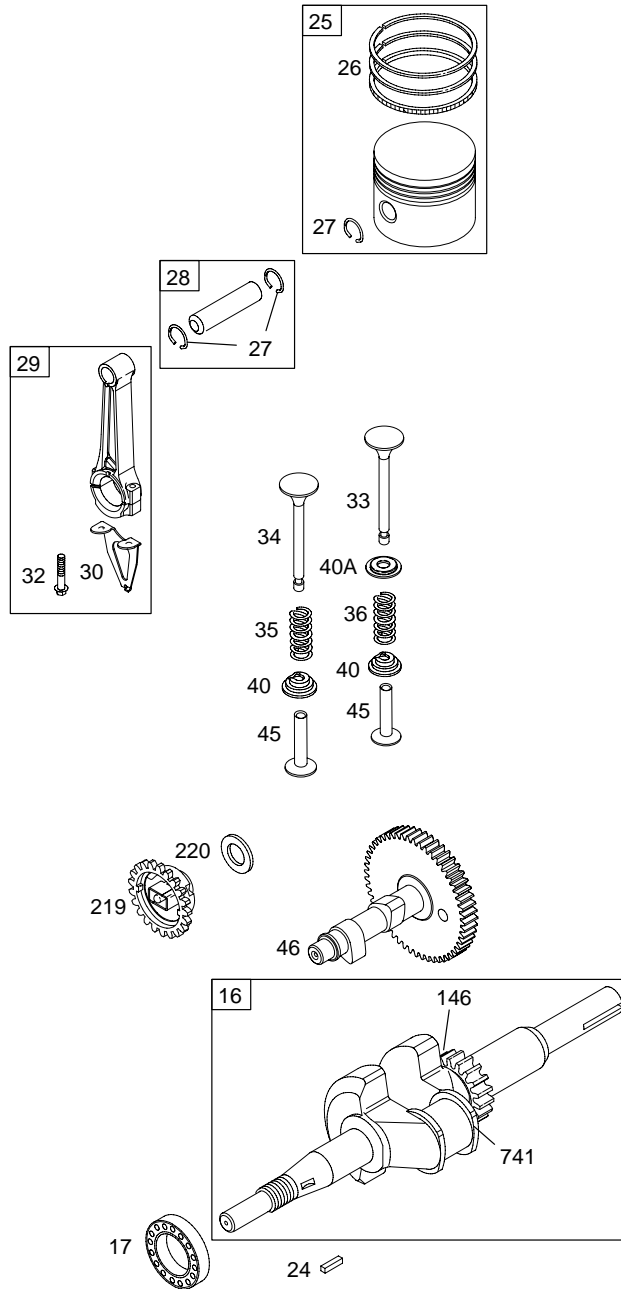


COPYRIGHT by BRIGGS & STRATTON CORPORATION
 All rights reserved. No part of this material may be reproduced or transmitted, in any form or by any means, electronic or mechanical, including photocopying, recording or by any information storage and retrieval system, without permission in writing from Briggs & Stratton Corporation.

133400

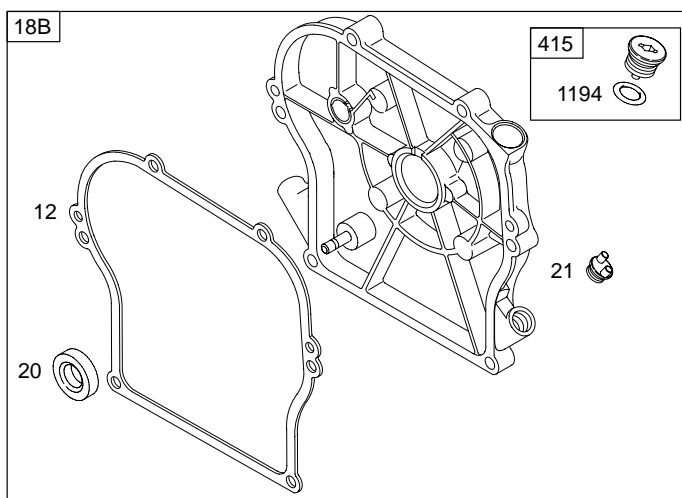
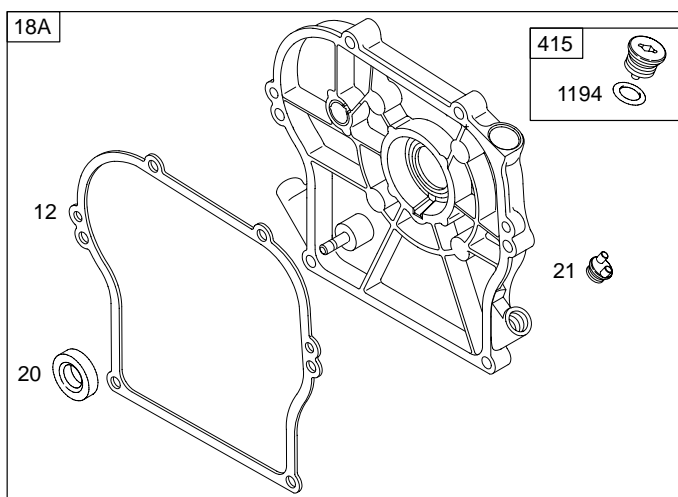
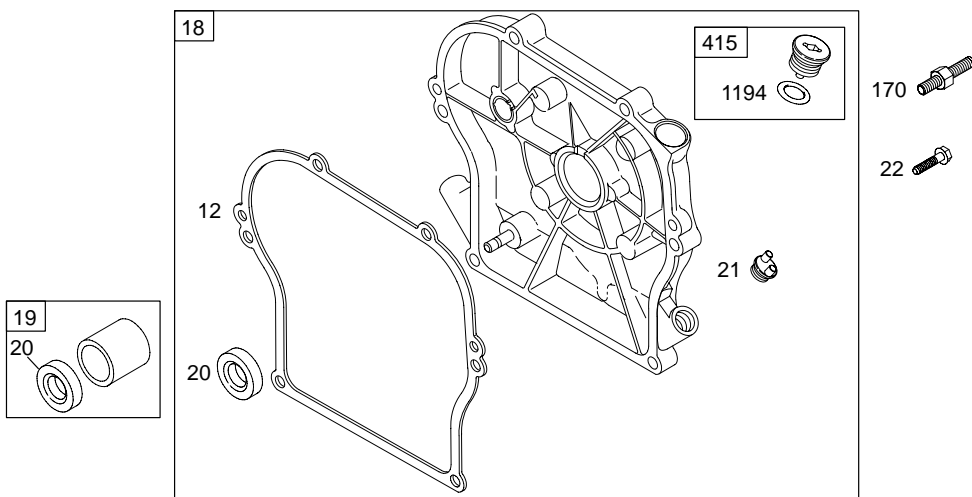


Illustrations cover a range of engines. Parts shown without corresponding text may not be used on your specific engine.
 6219-2 Assemblies include all parts shown in frames. 5C-9/2002

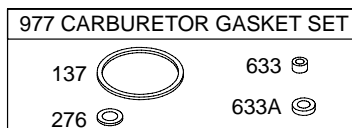
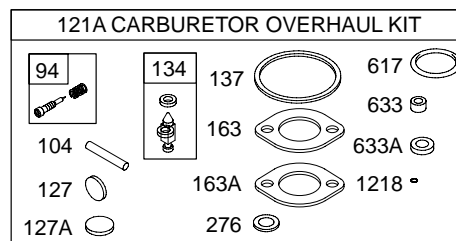
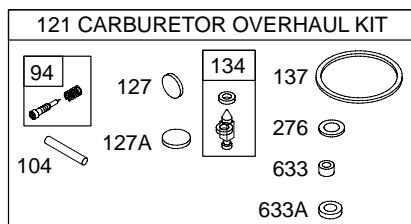
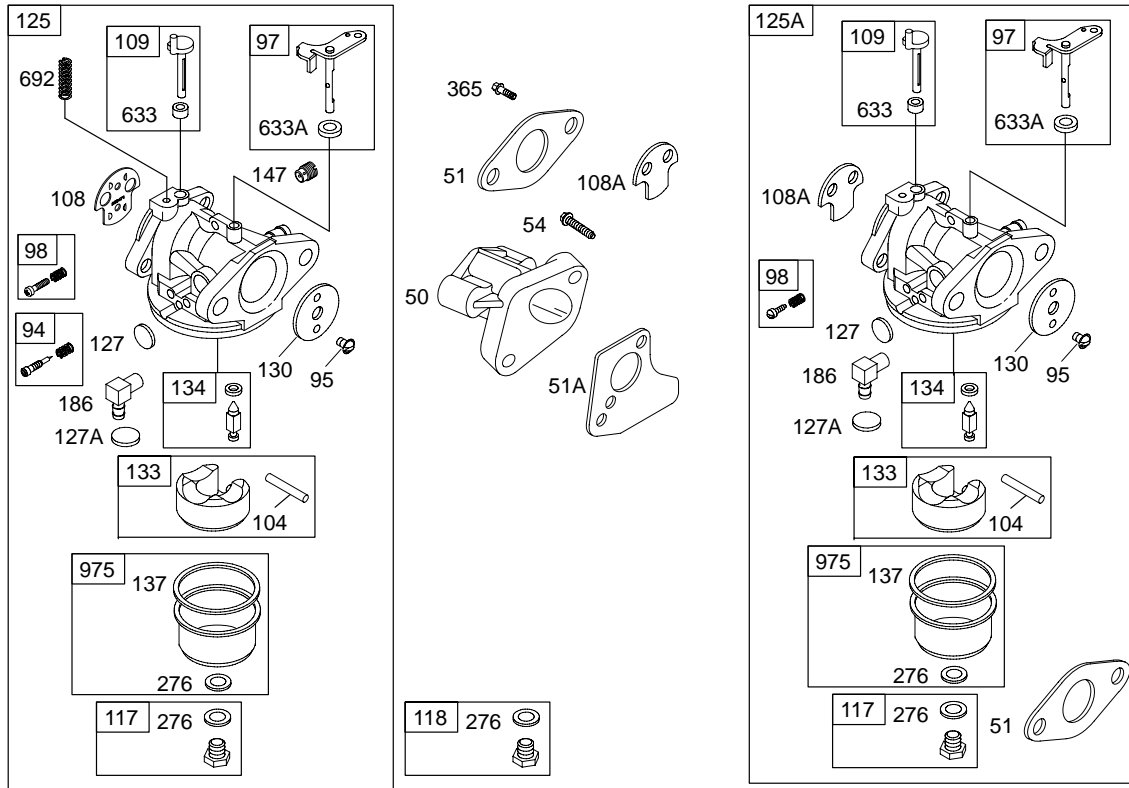


Illustrations cover a range of engines. Parts shown without corresponding text may not be used on your specific engine.
6219-3 Assemblies include all parts shown in frames. 5C-9/2002

133400

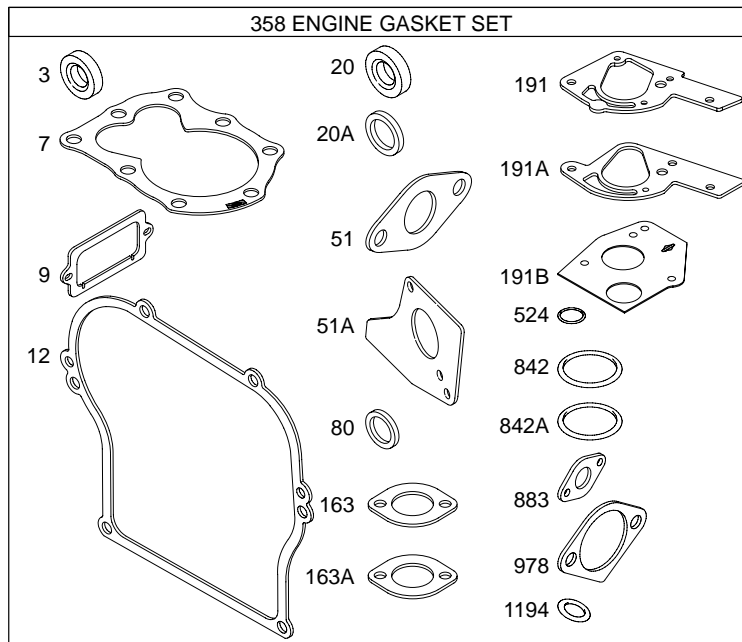
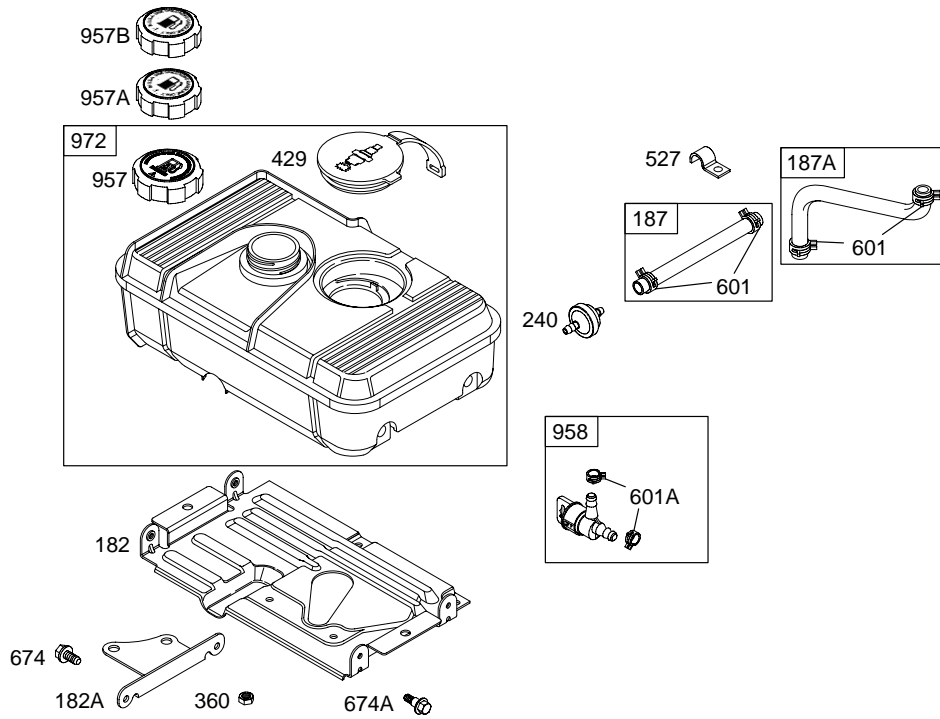


Illustrations cover a range of engines. Parts shown without corresponding text may not be used on your specific engine.
6219-4 Assemblies include all parts shown in frames. 5C-9/2002

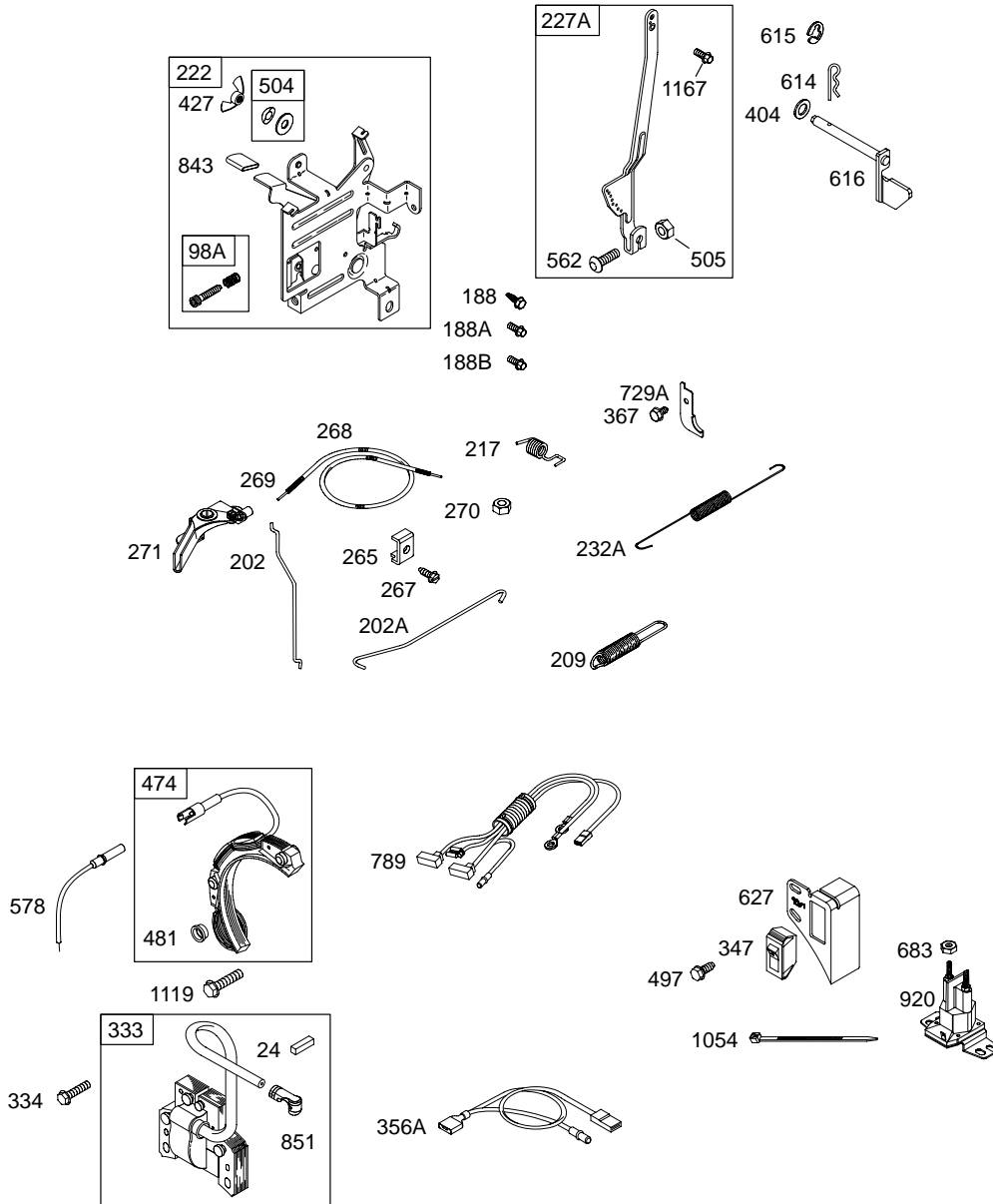


Illustrations cover a range of engines. Parts shown without corresponding text may not be used on your specific engine.
 6219-5 Assemblies include all parts shown in frames. 5C-9/2002

133400

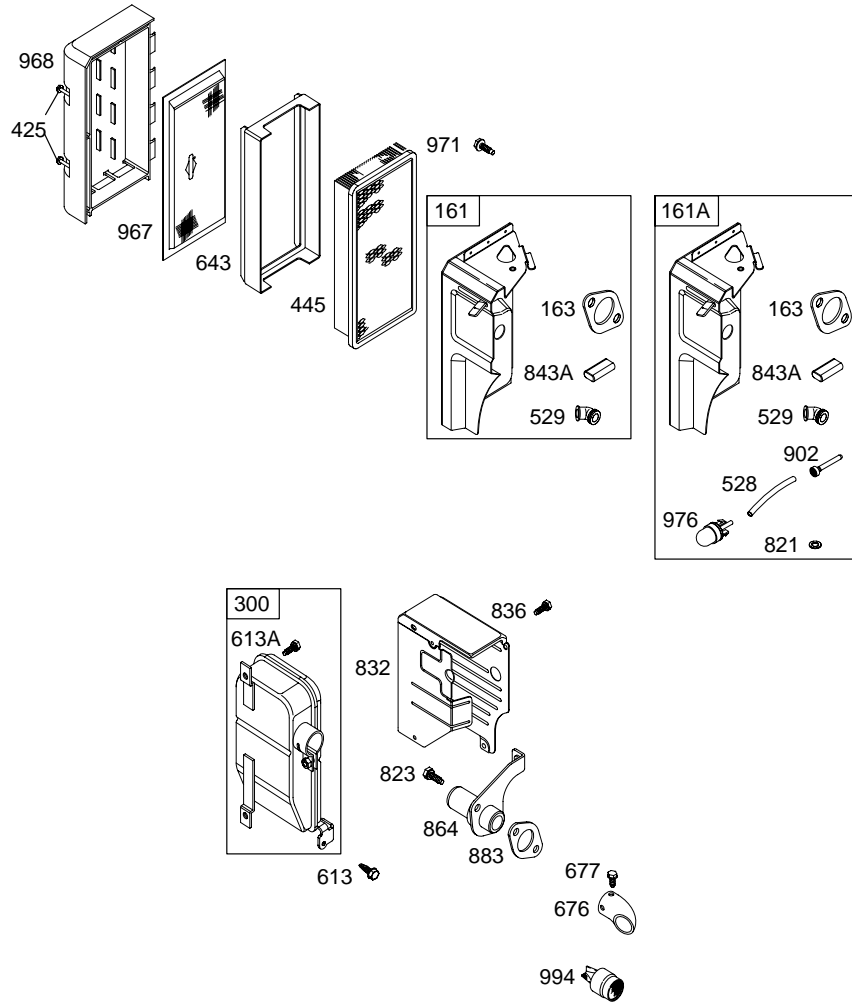


Illustrations cover a range of engines. Parts shown without corresponding text may not be used on your specific engine.
 6219-6 Assemblies include all parts shown in frames. 5C-9/2002

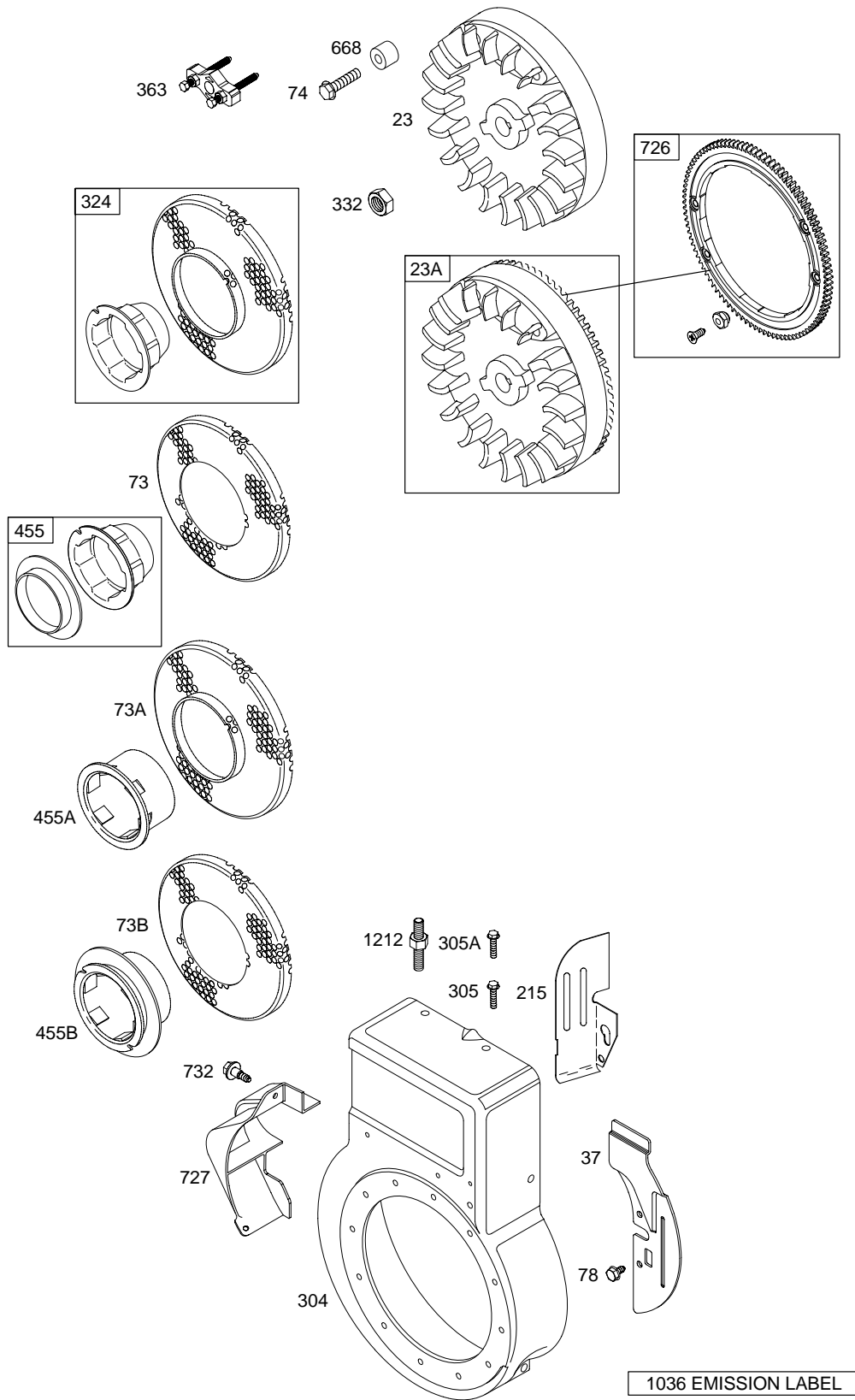


Illustrations cover a range of engines. Parts shown without corresponding text may not be used on your specific engine.
 6219-7 Assemblies include all parts shown in frames. 5C-9/2002

133400



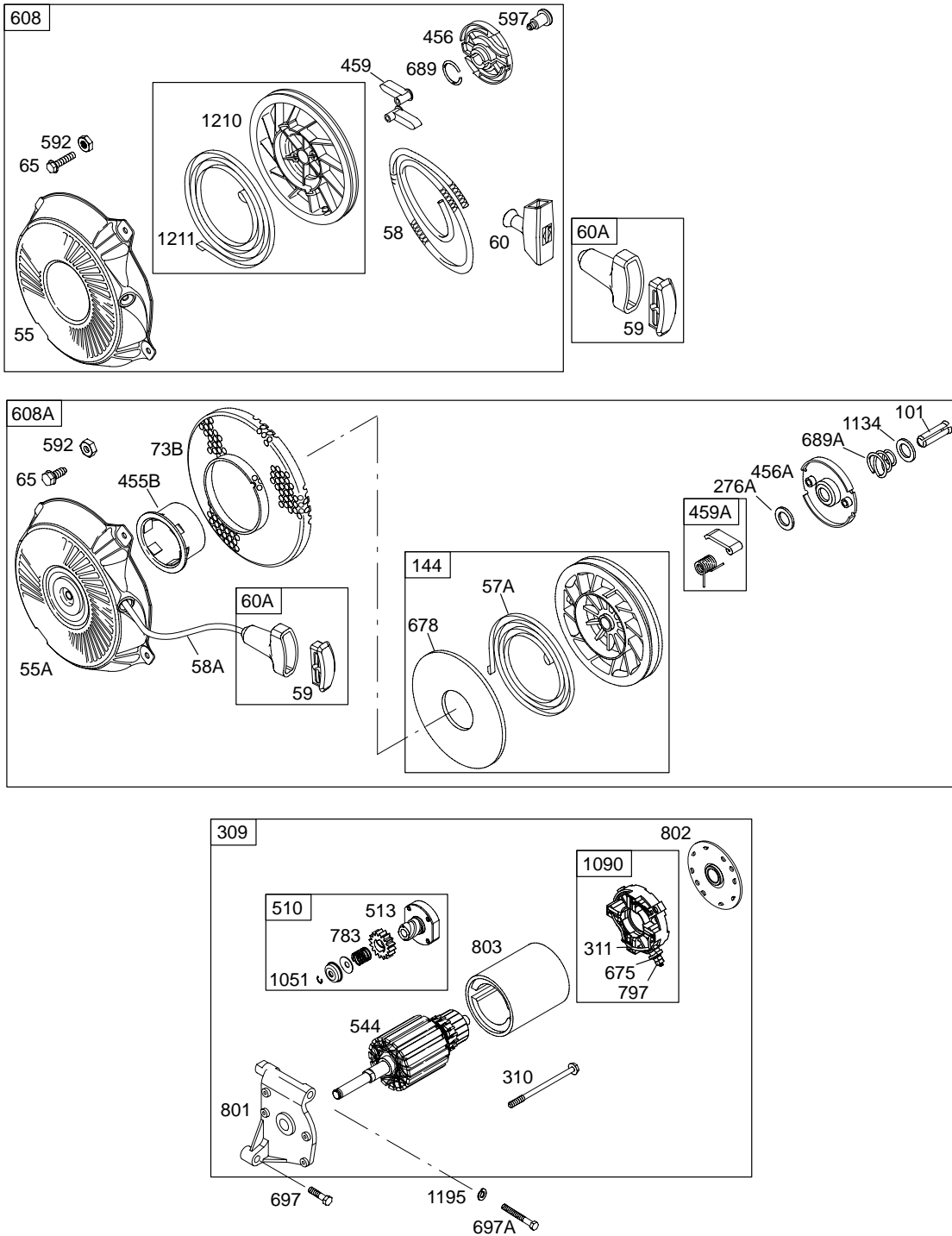
Illustrations cover a range of engines. Parts shown without corresponding text may not be used on your specific engine.
6219-8 Assemblies include all parts shown in frames. 5C-9/2002



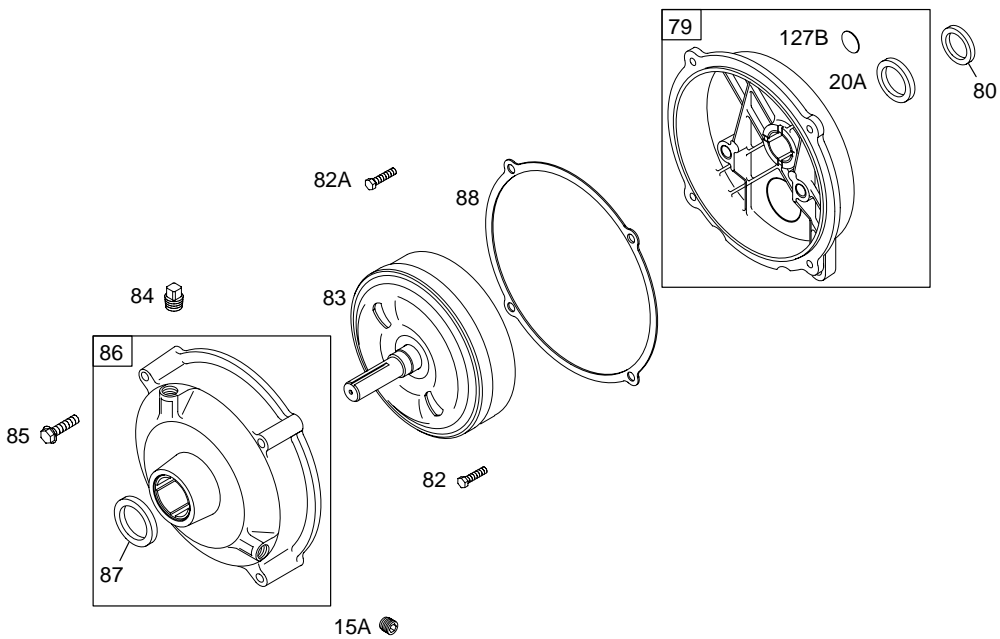
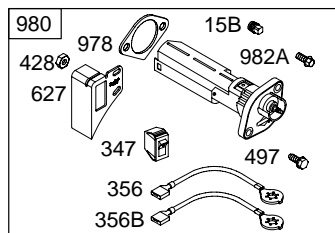
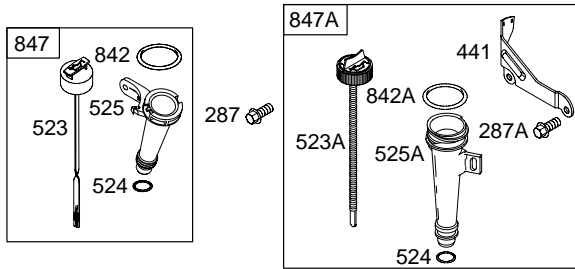
1036 EMISSION LABEL

Illustrations cover a range of engines. Parts shown without corresponding text may not be used on your specific engine.
6219-9 Assemblies include all parts shown in frames. 5C-9/2002

133400



Illustrations cover a range of engines. Parts shown without corresponding text may not be used on your specific engine.
 6219-10 Assemblies include all parts shown in frames. 5C-9/2002



Illustrations cover a range of engines. Parts shown without corresponding text may not be used on your specific engine.
 6219-11 Assemblies include all parts shown in frames. 5C-9/2002

133400

REF. NO.	PART NO.	DESCRIPTION	REF. NO.	PART NO.	DESCRIPTION	REF. NO.	PART NO.	DESCRIPTION
1	495133	Cylinder Assembly	14	690368	Stud (Cylinder Head)		494035	Crankshaft Used On Type No(s). 0039, 0040, 0070, 0340, 0571, 1040, 1070, 1171.
2	399269	Kit-Bushing/Seal (Magneto Side)	15	691686	Plug-Oil Drain (Square Head) (1/4" Diameter)		495642	Crankshaft Used On Type No(s). 0071, 0072, 1071, 1072.
3	★299819	Seal-Oil (Magneto Side)			Note		495643	Crankshaft Used On Type No(s). 0010, 0025, 0026, 0038, 0051, 0111, 0115, 0310, 0338, 1010, 1025, 1038, 1115, 1175.
5	691716	Head-Cylinder			691663 Plug-Oil Drain (Square Head) (1/4" Diameter) (Magnetic)		495644	Crankshaft Used On Type No(s). 0035, 0112, 0335, 1035, 1118, 1132.
7	∅★272157	Gasket-Cylinder Head	15A	691682	Plug-Oil Drain (Hex Socket) (1/4" Diameter)		495649	Crankshaft Used On Type No(s). 0030, 0060, 0080, 0360, 1030, 1060.
8	495774	Breather Assembly	16	495645	Crankshaft		499764	Crankshaft Used On Type No(s). 0059, 0085, 0359, 1059.
9	∅★27549	Gasket-Breather			Note			
10	691666	Screw (Breather Assembly)			397095 Crankshaft Used On Type No(s). 0024, 0049, 0324, 0349, 1024, 1049, 1177.			
11	691246	Tube-Breather			397103 Crankshaft Used on Type No(s). 0011, 0511, 1011.			
12	★692213	Gasket-Crankcase (.015" Thick, Standard)			492088 Crankshaft Used On Type No(s). 0083, 0084, 0555, 1084.			
		Note						
		★270125 Gasket-Crankcase (.005" Thick)						
		★270126 Gasket-Crankcase (.009" Thick)						
13	691640	Screw (Cylinder Head) (2-3/64" Long)						
13A	691659	Screw (Cylinder Head) (2-27/64" Long)						

★ Included in Engine Gasket Set-Ref. No.358.

● Included in Carburetor Overhaul Kit-Ref. No. 121.

∅ Included in Valve Gasket Set-Ref. No 1095.

◆ Included in Carburetor Gasket Set-Ref. No 977.

Illustrations cover a range of engines. Parts shown without corresponding text may not be used on your specific engine.

6219-12

Assemblies include all parts shown in frames.

5C-9/2002

REF. NO.	PART NO.	DESCRIPTION	REF. NO.	PART NO.	DESCRIPTION	REF. NO.	PART NO.	DESCRIPTION
17	692007	Bearing–Ball	18B	694375	Cover–Crankcase (Used After Code Date 99031400). Used On Type No(s). 0084, 1084.	20A	*299819	Seal–Oil (PTO Side)
18	694377	Cover–Crankcase Used On Type No(s). 0003, 0006, 0007 0008, 0024, 0030, 0039, 0040, 0049, 0059, 0060, 0070, 0080, 0085, 0324, 0340, 0349, 0359, 0360, 0571, 1024, 1030, 1040, 1049, 1059, 1060, 1070, 1171, 1177.			Note 694350 Cover– Crankcase (Used Before Code Date 99031400). Used On Type No(s). 0011, 0083, 0511, 0555.	21	281658	Cap–Oil Fill
18A	694319	Cover–Crankcase Used On Type No(s). 0001, 0002, 0004, 0009, 0010, 0013, 0025, 0026, 0035, 0036, 0038, 0041, 0042, 0043, 0050, 0051, 0071, 0072, 0082, 0101, 0111, 0112, 0115, 0117, 0310, 0335, 0336, 0338, 0350, 0536, 0573, 0574, 1010, 1013, 1025, 1035, 1036, 1038, 1041, 1050, 1071, 1072, 1112, 1115, 1117, 1118, 1132, 1172, 1173, 1174, 1175, 1176.	19	495660	Kit–Bushing/Seal	22	691662	Screw (Crankcase Cover/ Sump)
			20	*495307	Seal–Oil (PTO Side) Note 294606 Seal–Oil (PTO Side) Used On Type No(s). 0011, 0083, 0084, 0511, 0555, 1011, 1084. 691952 Seal–Oil (PTO Side) Used on Type No(s). 0084, 1084. 692019 Seal–Oil (PTO Side) Used On Type No(s). 0039, 0040, 0070, 0340, 0571, 1040, 1070, 1171.	23	399673	Flywheel
						23A	690820	Flywheel

★ Included in Engine Gasket Set–Ref. No.358.

● Included in Carburetor Overhaul Kit–Ref. No. 121.

∅ Included in Valve Gasket Set–Ref. No 1095.

◆ Included in Carburetor Gasket Set–Ref. No 977.

Illustrations cover a range of engines. Parts shown without corresponding text may not be used on your specific engine.

133400

REF. NO.	PART NO.	DESCRIPTION	REF. NO.	PART NO.	DESCRIPTION	REF. NO.	PART NO.	DESCRIPTION
24	222698	Key-Flywheel	35	690520	Spring-Valve (Intake)	73		Screen-Rotating (For Replacement
25	298904	Piston Assembly (Standard)	36	692180	Spring-Valve (Exhaust)			Rotating Screen, See Ref 324 for Service)
		Note	37	691732	Guard-Flywheel			(Used After Code Date 95010800).
	393820	Piston Assembly (.010" Oversize)	40	692194	Retainer-Valve	73A		Screen-Rotating (For Replacement
	393821	Piston Assembly (.020" Oversize)	40A	691760	Retainer-Valve			Rotating Screen, See Ref 324 for Service)
	393822	Piston Assembly (.030" Oversize)	45	690509	Tappet-Valve			(Used Before Code Date 95020300).
26	399067	Ring Set (Standard)	46	695006	Camshaft (Used After Code Date 00020700)	73B		Screen-Rotating (For Replacement
		Note			Note			Rotating Screen, See Ref 324 for Service)
	399014	Ring Set (.010" Oversize)		691164	Camshaft (Used Before Code Date 00020800).			(Used Before Code Date 95010900).
	399015	Ring Set (.020" Oversize)		692526	Camshaft Used On Type No(s). 0084, 1084.	74	690306	Screw (Rotating Screen)
	399016	Ring Set (.030" Oversize)	50	691922	Manifold-Intake			(Used After Code Date 00022100)
27	691588	Lock-Piston Pin	51	∅*692283	Gasket-Intake	78	691660	Screw (Flywheel Guard)
28	298909	Pin-Piston (Standard)	51A	*273113	Gasket-Intake	79	690605	Reduction-Gear Case
		Note	54	691689	Screw (Intake Manifold)	80	*691602	Gasket-Gear Case
	298908	Pin-Piston (.005" Oversize)	55	691422	Housing-Rewind Starter	82	690369	Screw (Gear Reduction Case)
29	299430	Rod-Connecting (Standard)	55A	497830	Housing-Rewind Starter	82A	691122	Screw (Gear Reduction Case)
		Note	57A	491889	Spring-Rewind Starter			(1 1/2" Long)
	390459	Rod-Connecting (.020" Undersize)	58	693389	Rope-Starter (Cut to Required Length)	83	690374	Shaft-Auxiliary Drive
30	691759	Dipper-Connecting Rod	58A	280406	Rope-Starter (Cut to Required Length)	84	691121	Plug-Breather
32	691664	Screw (Connecting Rod)	59	396892	Insert-Grip	85	691117	Screw (Gear Cover to Gear Reduction)
33	211119	Valve-Exhaust	60	691915	Grip-Starter Rope (1 Piece)	86	690608	Cover-Gear
34	261044	Valve-Intake	60A	393152	Grip-Starter Rope (2 Piece)	87	691582	Seal-Gear Reduction
			65	690837	Screw (Rewind Starter)	88	*691600	Gasket-Gear Reduction Cover

★ Included in Engine Gasket Set-Ref. No.358.

● Included in Carburetor Overhaul Kit-Ref. No. 121.

∅ Included in Valve Gasket Set-Ref. No 1095.

◆ Included in Carburetor Gasket Set-Ref. No 977.

Illustrations cover a range of engines. Parts shown without corresponding text may not be used on your specific engine.

REF. NO.	PART NO.	DESCRIPTION	REF. NO.	PART NO.	DESCRIPTION	REF. NO.	PART NO.	DESCRIPTION
94	●493765	Kit-Idle Mixture	109	498593	Shaft-Choke	118	493869	Jet-Main (High Altitude)
95	691636	Screw (Throttle Valve)			———— Note ————			———— Note ————
97	493556	Shaft-Throttle			495651 Shaft-Choke			495981 Jet-Main (High Altitude)
98	398185	Kit-Idle Speed (Carburetor Mounted)			Used On Type No(s).			Used On Type No(s).
98A	493280	Kit-Idle Speed (Bracket Mounted)			0001, 0002, 0003,			0001, 0002, 0003,
101	262626	Pin-Shaft			0004, 0006, 0007,			0004, 0006, 0007,
104	●691242	Pin-Float Hinge			0008, 0009, 0010,			0008, 0009, 0010,
108	691182	Valve-Choke			0011, 0013, 0024,			0011, 0013, 0024,
108A	224783	Valve-Choke Used On Type No(s).			0025, 0026, 0030,			0025, 0026, 0030,
		0001, 0002, 0003,			0035, 0036, 0038,			0008, 0009, 0010,
		0004, 0006, 0007,			0039, 0040, 0041,			0004, 0006, 0007,
		0008, 0009, 0010,			0042, 0043, 0049,			0008, 0009, 0010,
		0011, 0013, 0024,			0050, 0051, 0059,			0011, 0013, 0024,
		0025, 0026, 0030,			0060, 0070, 0071,			0025, 0026, 0030,
		0035, 0036, 0038,			0072, 0080, 0082,			0035, 0036, 0038,
		0039, 0040, 0041,			0083, 0084, 0085,			0039, 0040, 0041,
		0042, 0043, 0049,			0101, 0111, 0112,			0042, 0043, 0049,
		0050, 0051, 0059,			0113, 0115, 0117.			0050, 0051, 0059,
		0060, 0070, 0071,						0060, 0070, 0071,
		0072, 0080, 0082,			117	690048	Jet-Main (Standard)	0072, 0080, 0082,
		0083, 0084, 0085,					———— Note ————	0083, 0084, 0085,
		0101, 0111, 0112,					497434 Jet-Main (Standard)	0101, 0111, 0112,
		0113, 0115, 0117.					Used On Type No(s).	0113, 0115, 0117.
							0001, 0002, 0003,	
							0004, 0006, 0007,	
							0008, 0009, 0010,	
							0011, 0013, 0024,	
							0025, 0026, 0030,	
							0035, 0036, 0038,	
							0039, 0040, 0041,	
							0042, 0043, 0049,	
							0050, 0051, 0059,	
							0060, 0070, 0071,	
							0072, 0080, 0082,	
							0083, 0084, 0085,	
							0101, 0111, 0112,	
							0113, 0115, 0117.	
								121
								498260
								Kit-Carburetor Overhaul

★ Included in Engine Gasket Set-Ref. No.358.

● Included in Carburetor Overhaul Kit-Ref. No. 121.

∅ Included in Valve Gasket Set-Ref. No 1095.

◆ Included in Carburetor Gasket Set-Ref. No 977.

Illustrations cover a range of engines. Parts shown without corresponding text may not be used on your specific engine.

133400

REF. NO.	PART NO.	DESCRIPTION	REF. NO.	PART NO.	DESCRIPTION	REF. NO.	PART NO.	DESCRIPTION
125	498599	Carburetor ———— Note ———— 495652 Carburetor Used On Type No(s). 0001, 0002, 0003, 0004, 0006, 0007, 0008, 0009, 0010, 0011, 0013, 0024, 0025, 0026, 0030, 0035, 0036, 0038, 0039, 0040, 0041, 0042, 0043, 0049, 0050, 0051, 0059, 0060, 0070, 0071, 0072, 0080, 0082, 0083, 0084, 0085, 0101, 0111, 0112, 0113, 0115, 0117.	182	690469	Bracket—Fuel Tank	269	691589	Wire—Control (54" Length) (Cut to Required Length) ———— Note ———— 691026 Wire—Control (78" Length) (Cut to Required Length)
127	●691739	Plug—Welch (5/16" Diameter)	186	692317	Connector—Hose	270	691027	Nut (Control Wire Casing)
127A	●694468	Plug—Welch (3/8" Diameter)	187	691050	Line—Fuel (Cut to Required- Length)	271	691028	Lever—Control
127B	691585	Plug—Welch (7/8" Diameter)	187A	495218	Line—Fuel (Molded)	276 ●	271716	Washer—Sealing
130	691181	Valve—Throttle	188	690297	Screw (Control Bracket)	276A	280973	Washer—Sealing
133	398187	Float—Carburetor	188A	691693	Screw (Control Bracket)	287	94807	Screw (Dipstick Tube) (Used After Code Date 99031400).
134	●398188	Kit—Needle/Seat	202	691282	Link—Mechanical Governor	287A	691693	Screw (Dipstick Tube) (Used Before Code Date 99031500).
137	●◆693981	Gasket—Float Bowl	209	691816	Spring—Governor (Black)	300	692006	Muffler
144	493824	Pulley/Spring Assembly	215	691745	Guide—Air ———— Note ———— 690472 Guide—Air (Used on Engines With Electric Start)	304	495759	Housing—Blower (Black) ———— Note ———— 495760 Housing— Blower (Black) Used On Type No(s). 0042, 0050, 0051, 0350, 0574, 1050.
146	690979	Key—Timing (Used with Timing Gear 691847) ———— Note ———— 499047 Key—Timing (Used with Timing Gear 261696)	219	494845	Gear—Governor	305	691108	Screw (Blower Housing)
147	692886	Jet—Pilot	220	691724	Washer (Governor Gear)	306	694514	Shield—Cylinder
161	691384	Base—Air Cleaner (Metal)	222	691383	Bracket Control	307	691660	Screw (Cylinder Shield)
163	∅◆272948	Gasket—Air Cleaner	227A	690842	Lever—Governor Control ———— Note ———— 691433 Lever— Governor Control Used On Type No(s). 0070, 0571.	308	690473	Cover—Cylinder Head
170	691120	Stud (Crankcase Cover/ Sump) Used On Type No(s). 0083.	232A	691784	Spring—Governor Link	309	690658	Motor—Starter
			240	298090	Filter—Fuel	310	690323	Bolt (Starter Motor)
			265	691024	Clamp—Casing	311	497608	Brush Set
			267	690804	Screw (Casing Clamp)	324	695161	Screen/Cup Assembly
			268	691072	Casing—Control Wire (48" Length) (Cut to Required Length) ———— Note ———— 691025 Casing— Control Wire (72" Length) (Cut to Required Length)	332	690662	Nut (Flywheel)

★ Included in Engine Gasket Set—Ref. No.358.

● Included in Carburetor Overhaul Kit—Ref. No. 121.

∅ Included in Valve Gasket Set—Ref. No 1095.

◆ Included in Carburetor Gasket Set—Ref. No 977.

Illustrations cover a range of engines. Parts shown without corresponding text may not be used on your specific engine.

REF. NO.	PART NO.	DESCRIPTION	REF. NO.	PART NO.	DESCRIPTION	REF. NO.	PART NO.	DESCRIPTION
333	397358	Armature–Magneto	358	495661	Gasket Set–Engine	456	692299	Plate–Pawl Friction
334	691621	Screw (Magneto Armature)	360	690958	Nut (Fuel Tank Bracket)	456A	224321	Plate–Pawl Friction
337	802592	Plug–Spark (Resistor)	363	19069	Puller–Flywheel	459	281505	Pawl–Ratchet
347	495098	Switch–Rocker	365	691688	Screw (Carburetor)	459A	492833	Pawl–Ratchet
		Note	367	691660	Screw (Wire Clip)	474	494254	Alternator
		691995 Switch–Rocker Used On Type No(s). 0011, 0041, 0059, 0060, 0072, 0080, 0083, 0084, 0085, 0360, 0555, 0573, 0574, 1059, 1060, 1177.	383	89838	Wrench–Spark Plug	481	231767	Bushing–Alternator
			404	691691	Washer (Governor Crank)	497	690661	Screw (Stop Switch Bracket)
			415	691363	Plug (High Oil Fill Hole)	504	495659	Washer–Set–Friction
			425	690670	Screw (Air Cleaner Cover)	505	691251	Nut (Governor Control Lever)
356	690817	Wire–Stop (1 Wire, 6–1/4” Long)(Push–On Insulated Female Blade Terminal, And Internal Tooth Lockwasher Ring Terminal)	427	690355	Nut (Control Bracket)	510	499308	Drive–Starter
			428	691612	Nut (Oil Gard Kit)	513	692024	Clutch–Drive
356A	690818	Wire–Stop (2 Wires, 5–5/8” And 4–1/4” Long)(Push–On Insulated Female Blade Terminal, Snap Connect Insulated Pin Socket, And Snap Connect Insulated Female Blade Terminal)	429	692354	Cover–Spark Plug	523	495264	Dipstick (Used After Code Date 99031400).
			441	690448	Bracket–Oil Fill	523A	691388	Dipstick (Used Before Code Date 99031500).
			445	494511	Filter–Air Cleaner Cartridge			Note
356B	692363	Wire–Stop (1 Wire, 9–1/2” Long)(Push–On Insulated Female Blade Terminal, And Internal Tooth Lockwasher Ring Terminal)	455		Cup–Flywheel (For Replacement Flywheel Cup, See Ref 324 for Service) (Used After Code Date 95020200).			690777 Dipstick Used On Type No(s). 0080,0085.
			455A		Cup–Flywheel (For Replacement Flywheel Cup, See Ref 324 for Service) (Used Before Code Date 95020300).	524	691876	Seal–Dipstick Tube
			455B		Cup–Flywheel (For Replacement Flywheel Cup, See Ref 324 for Service) (Used Before Code Date 95010900).	525	694379	Tube–Dipstick (Used After Code Date 99031400).
								Note
						525A	690587	Tube–Dipstick Used On Type No(s). 0080, 0085.
						527	690423	Clamp–Tube

★ Included in Engine Gasket Set–Ref. No.358.

● Included in Carburetor Overhaul Kit–Ref. No. 121.

∅ Included in Valve Gasket Set–Ref. No 1095.

◆ Included in Carburetor Gasket Set–Ref. No 977.

Illustrations cover a range of engines. Parts shown without corresponding text may not be used on your specific engine.

133400

REF. NO.	PART NO.	DESCRIPTION	REF. NO.	PART NO.	DESCRIPTION	REF. NO.	PART NO.	DESCRIPTION
529	692187	Grommet			(Fuel Tank Bracket)	803	693757	Housing–Starter
544	692966	Armature–Starter	674A	692199	Screw	823	691665	Screw
552	690508	Bushing–Governor Crank			(Fuel Tank Bracket)			(Muffler Adapter)
562	691119	Bolt (Governor Control Lever)	675	691261	Washer (Brush Retainer)	832	690811	Guard–Muffler
578	692306	Wire Assembly	676	692010	Deflector–Muffler			Note
592	690800	Nut (Rewind Starter)	677	690661	Screw (Muffler Deflector)			691432 Guard–Muffler
597	691696	Screw (Pawl Friction Plate)	678	224278	Spacer–Rewind	836	691693	Screw (Muffler Guard)
601	95162	Clamp–Hose (Green)	683	691029	Nut (Starter Solenoid)	842	★691031	Seal–O Ring (Dipstick)
601A	691038	Clamp–Hose (Black)	689	691855	Spring–Friction			(Used After Code Date 99031400).
608	497830	Starter–Rewind (For Replacement Rewind Starter, See Ref 608 For Service)	689A	262625	Spring–Friction	842A	★691870	Seal–O Ring (Dipstick)
608A			692	690572	Spring–Detent			(Used Before Code Date 99031500).
613A	691693	Screw (Muffler)	697	693972	Screw (Drive Cap)	843	691322	Sleeve–Lever
614	691620	Pin–Cotter	697A	690298	Screw (Drive Cap)	843A	691895	Sleeve–Lever
615	93307	Retainer Governor Shaft	718	690959	Pin–Locating	847	694381	Dipstick/Tube Assembly
616	692016	Crank–Governor	726	495765	Gear–Ring (Includes Mounting Hardware)			(Used After Code Date 99031400).
627	690474	Bracket–Stop Switch	727	690600	Cover–Starter Drive	847A	691379	Dipstick/Tube Assembly
633	◆693867	Seal–Choke/Throttle Shaft	729A	690471	Clip–Wire			(Used Before Code Date 99031500).
633A	◆691321	Seal–Choke/Throttle Shaft	732	691097	Screw (Starter Drive Cover)			
635	66538	Boot–Spark Plug	741	691847	Gear–Timing (Uses Woodruff Key)			
643	691908	Retainer–Air Filter			Note			
668	690531	Spacer			261696 Timing Gear (Uses Locating Pin)			
674	690810	Screw	783	692353	Gear–Pinion			
			797	691029	Nut (Brush Retainer)			
			801	690835	Cap–Drive			
			802	691286	Cap–End			

★ Included in Engine Gasket Set–Ref. No.358.

● Included in Carburetor Overhaul Kit–Ref. No. 121.

∅ Included in Valve Gasket Set–Ref. No 1095.

◆ Included in Carburetor Gasket Set–Ref. No 977.

Illustrations cover a range of engines. Parts shown without corresponding text may not be used on your specific engine.

REF. NO.	PART NO.	DESCRIPTION	REF. NO.	PART NO.	DESCRIPTION	REF. NO.	PART NO.	DESCRIPTION
851	493880	Terminal-Spark Plug	978	★273326	Gasket-Oil Gard®	1051	691265	Ring-Retaining
864	690812	Adapter-Muffler	979	691382	Cover-Oil Gard®	1058	274267	Owner's Manual
869	691705	Seat-Valve (Intake)	980	496605	Kit-Oil Gard®	1090	691293	Retainer-Brush
870	691856	Seat-Valve (Exhaust)(Cobalite®)	982	690351	Screw (Oil Gard® Cover)	1095	493531	Gasket Set-Valve
871	262001	Bushing-Valve Guide (Exhaust)	982A	690350	Screw (Oil Gard® Kit)	1119	691183	Screw (Alternator)
		Note	994	690813	Arrestor-Spark	1134	224322	Washer (Pawl Friction Plate)
		63709 Bushing-Valve Guide (Intake)	1019	495861	Kit-Label	1167	691693	Screw (Governor Control Lever)(Remote Link Attachment)
			1036	695099	Label-Emissions (Used After Code Date 99093000).	1194	691876	Seal-O Ring (Plug)
883	∅★692237	Gasket-Exhaust			Note	1195	691075	Washer (Drive Cap)
920	691656	Solenoid-Starter			694516 Label- Emissions (Used After Code Date 98123100 and Before Code Date 99100100).	1210	498144	Pulley/Spring Assembly (Pulley)
957	493988	Cap-Fuel Tank (Plastic)			499348 Label- Emissions (Used After Code Date 97052500 and Before Code Date 99010100).	1211	498144	Pulley/Spring Assembly (Spring)
958	494769	Valve-Fuel Shut-Off (Plastic)			499347 Label- Emissions (Used Before Code Date 97052600).			
967	492889	Filter-Pre Cleaner						
968	691327	Cover-Air Cleaner						
971	690370	Screw (Air Cleaner Base To Carburetor)						
972	495345	Tank-Fuel (Plastic)						
975	493640	Bowl-Float						
977	498261	Gasket Set-Carburetor						

★ Included in Engine Gasket Set-Ref. No.358.

● Included in Carburetor Overhaul Kit-Ref. No. 121.

∅ Included in Valve Gasket Set-Ref. No 1095.

◆ Included in Carburetor Gasket Set-Ref. No 977.

Illustrations cover a range of engines. Parts shown without corresponding text may not be used on your specific engine.
6219-19 Assemblies include all parts shown in frames. **5C-9/2002**