

Illustrated Parts List

Model Series

133200 to 133299

TYPE NUMBERS

0001 through 0021,
0024 through 0038,
0040, 0049, 0050,
0060 through 0064,
0090 through 0129,
0131 through 0162,
0313 through 0360,
0514 through 0526,
1002 through 1015,
1024 through 1050,
1060, 1063, 1064,
1101 through 1163.

TO FIND

THE CORRECT NUMBER OF THE PART YOU NEED: FOLLOW THE INSTRUCTIONS BELOW

- A. Refer to Engine Model, Type and Code Number that is stamped on the blower housing of engine. Engine type numbers such as 0123 01 are listed only as 0123 in most instances. The two digits (01 or 02, etc.) to the right of the space may be required for more accurate parts identification in some instances. Select the Illustrated Parts List covering the correct Model Series and Type Number.
- B. Refer to the Illustrations and compare the original part with Illustration. The number next to the illustration is the Reference Number. Assemblies include all parts shown in frames. All parts shown in assembly frames having individual reference numbers can be purchased separately.
- C. After the Reference Number has been identified, refer to the Numerical text, where Reference and Primary Part Number are listed. **THE PRIMARY PART IS USED ON ALL TYPE NUMBERS EXCEPT THOSE TYPE NUMBERS UNDER "NOTE."**
- D. If a "Note" appears below the Primary Part Number, it means that this part differs from the Primary Part for certain types. If your Type number is listed under "Note," order the part referred to at the "Note."
- E. If your Engine Type Number does not appear after any part number listed under "Note," use the Primary Part Number.
- F. For Engine Type Numbers not covered by this book, check other Parts Lists having the same engine model or contact your source of supply.

PRINTED IN U.S.A.

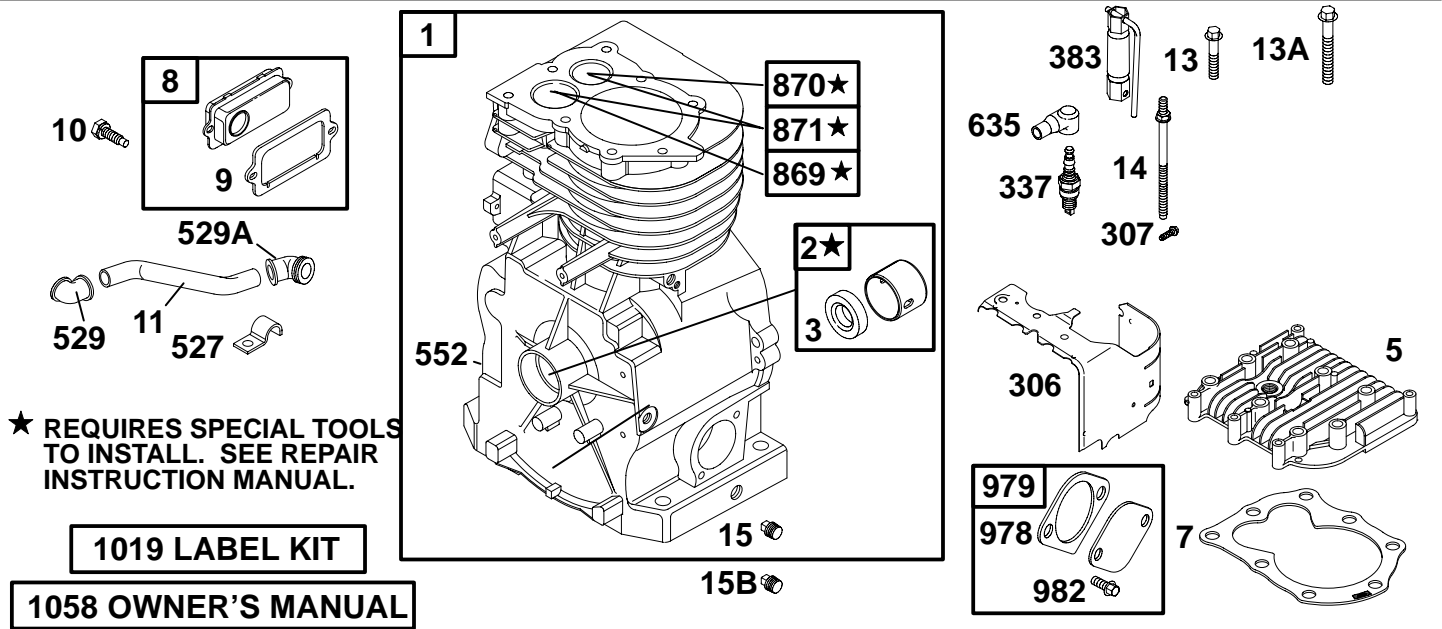


BRIGGS & STRATTON

®

COPYRIGHT by BRIGGS & STRATTON CORPORATION
All rights reserved. No part of this material may be reproduced or transmitted, in any form or by any means, electronic or mechanical, including photocopying, recording or by any information storage and retrieval system, without permission in writing from Briggs & Stratton Corporation.

133200 to 133299



★ REQUIRES SPECIAL TOOLS TO INSTALL. SEE REPAIR INSTRUCTION MANUAL.

1019 LABEL KIT

1058 OWNER'S MANUAL

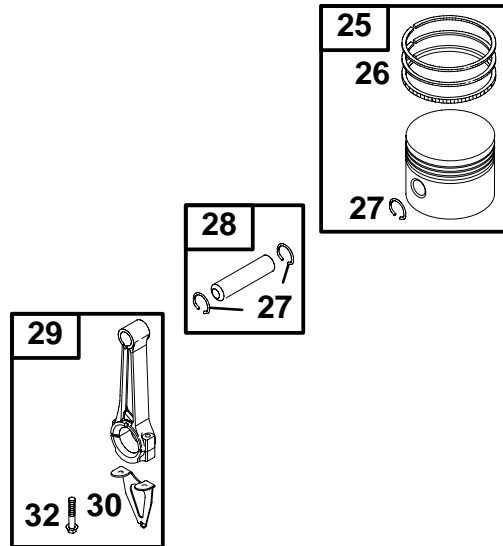
| REF. NO. | PART NO. | DESCRIPTION | REF. NO. | PART NO. | DESCRIPTION | REF. NO. | PART NO. | DESCRIPTION |
|----------|----------|---------------------------------|-------------|----------|----------------------------|----------------------------------|----------|-------------------------------------|
| 1 | 495133 | Cylinder Assembly | 306 | 694514 | Shield-Cylinder | 635 | 66538 | Boot-Spark Plug |
| 2 | 399269 | Kit-Bushing/Seal (Magneto Side) | 307 | 691660 | Screw (Cylinder Shield) | 869 | 691705 | Seat-Valve (Intake) |
| 3 | ★299819 | Seal-Oil (Magneto Side) | 337 | 802592 | Plug-Spark (Resistor Type) | 870 | 691856 | Seat-Valve (Exhaust Valve) |
| 5 | 691716 | Head-Cylinder | Note | | | 871 | 262001 | Bushing-Valve Guide (Exhaust Valve) |
| 7 | ★Ø272157 | Gasket-Cylinder Head | 383 | 89838 | Wrench-Spark Plug | Note | | |
| 8 | 495774 | Breather Assembly | 527 | 691741 | Clamp-Tube | 63709 Bushing-Valve Guide | | |
| 9 | ★Ø27549 | Gasket-Breather | 529 | 692189 | Grommet (90 Degree) | 978 | ★273326 | Gasket-Oil Gard® |
| 10 | 691666 | Screw (Breather Assembly) | 529A | 692187 | Grommet (120 Degree) | 979 | 691382 | Cover-Oil Gard® |
| 11 | 231550 | Tube-Breather | 552 | 690508 | Bushing-Governor Crank | 982 | 690351 | Screw (Oil Gard® Cover) |
| 13 | 691640 | Screw (Cylinder Head) | | | | 1019 | 491102 | Kit-Label |
| 13A | 691659 | Screw (Cylinder Head) | | | | 1058 | 274874 | Owner's Manual |
| 14 | 691690 | Stud (Cylinder Head) | | | | | | |
| 15 | 691686 | Plug-Oil Drain | | | | | | |
| 15B | 691663 | Plug-Oil Drain (Magnetic) | | | | | | |

★ Included in Engine Gasket Set-Ref. No. 358.

● Included in Carburetor Overhaul Kit-Ref. No. 121.

Ø Included in Valve Gasket Set-Ref. No. 1095.

133200 to 133299



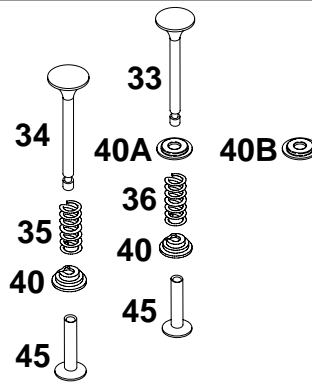
| REF. NO. | PART NO. | DESCRIPTION | REF. NO. | PART NO. | DESCRIPTION | REF. NO. | PART NO. | DESCRIPTION |
|-----------|---------------|---|-----------|---------------|---|-----------|---------------|--|
| 25 | 393819 | Piston Assembly (Standard) Note 393820 Piston Assembly (.010" Oversize) 393821 Piston Assembly (.020" Oversize) 393822 Piston Assembly (.030" Oversize) | 26 | 399067 | Ring Set (Standard) Note 399014 Ring Set (.010" Oversize) 399015 Ring Set (.020" Oversize) 399016 Ring Set (.030" Oversize) | 28 | 298909 | Pin-Piston (Standard) Note 298908 Pin-Piston (.005" Oversize) |
| | | | 27 | 691588 | Lock-Piston Pin | 29 | 299430 | Rod-Connecting (Standard) Note 390459 Rod-Connecting (.020" Undersize) |
| | | | | | | 30 | 691759 | Dipper-Connecting Rod |
| | | | | | | 32 | 691664 | Screw (Connecting Rod) |

★ Included in Engine Gasket Set-Ref. No. 358.

● Included in Carburetor Overhaul Kit-Ref. No. 121.

∅ Included in Valve Gasket Set-Ref. No. 1095.

133200 to 133299



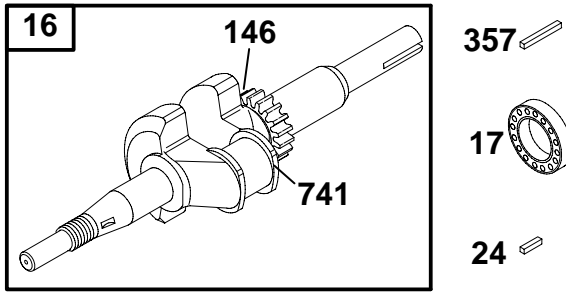
| REF. NO. | PART NO. | DESCRIPTION | REF. NO. | PART NO. | DESCRIPTION | REF. NO. | PART NO. | DESCRIPTION |
|----------|----------|--|----------|----------|--|----------|----------|---|
| 33 | 691827 | Valve-Exhaust Note 211119 Valve-Exhaust Used on Type No(s). 0010, 0011, 0014, 0019, 0027, 0040, 0061, 0062, 0063, 0064, 0115, 0116, 0123, 0125, 0135, 0150, 0156, 0157, 1010, 1014, 1040, 1063, 1064, 1156. | 40 | 692194 | Retainer-Valve (Intake) | 45 | 690509 | Tappet-Valve Used on Type No(s). 0010, 0011, 0014, 0019, 0027, 0040, 0061, 0062, 0063, 0064, 0115, 0116, 0123, 0125, 0135, 0150, 0156, 0157, 1010, 1014, 1040, 1063, 1064, 1156. |
| 34 | 261044 | Valve-Intake | 40A | 691367 | Retainer-Valve (Exhaust Rotocoil) Note 692194 Retainer- Valve (Exhaust) Used on Type No(s). 0010, 0011, 0014, 0019, 0027, 0040, 0061, 0062, 0063, 0064, 1010, 1014, 0115, 0116, 0123, 0125, 0135, 1040, 0150, 0156, 0157, 1063, 1156. | | | |
| 35 | 690520 | Spring-Valve (Intake) | 40B | 691760 | Retainer-Valve (Exhaust) | | | |
| 36 | 691838 | Spring-Valve (Exhaust) Note 692180 Spring-Valve (Exhaust) Used on Type No(s). 0010, 0011, 0014, 0019, 0027, 0040, 0061, 0062, 0063, 0064, 0115, 0116, 0123, 0125, 0135, 0150, 0156, 0157, 1010, 1014, 1040, 1063, 1064, 1156 | | | | | | |

★ Included in Engine Gasket Set-Ref. No. 358.

● Included in Carburetor Overhaul Kit-Ref. No. 121.

∅ Included in Valve Gasket Set-Ref. No. 1095.

133200 to 133299



| REF. NO. | PART NO. | DESCRIPTION | REF. NO. | PART NO. | DESCRIPTION | REF. NO. | PART NO. | DESCRIPTION |
|----------|----------|---|----------|----------|--|----------|----------|---|
| 16 | 495645 | Crankshaft Note 397095 Crankshaft Used on Type No(s). 0001, 0009, 0024, 0027, 0049, 0063, 0102, 0112, 0324, 0349, 1012, 1024, 1049, 1063, 1130. 397103 Crankshaft Used on Type No(s). 0119, 0124, 0524. 492088 Crankshaft Used on Type No(s). 0019, 0103, 0113, 0154, 0156, 0159, 1156. 494035 Crankshaft Used on Type No(s). 0116, 0131, 1131. 495642 Crankshaft Used on Type No(s). 0008, 0125. | | | 495643 Crankshaft Used on Type No(s). 0007, 0014, 0038, 0061, 0115, 0138, 0148, 0338, 1014, 1038. 495644 Crankshaft Used on Type No(s). 0011, 0035, 0062, 0091, 0117, 0123, 0146, 0335, 1035. 495649 Crankshaft Used on Type No(s). 0060, 0120, 0121, 0122, 0127, 0137, 0142, 0360, 0522, 0525, 0526, 1060. 499764 Crankshaft Used on Type No(s). 0140. 692142 Crankshaft Used on Type No(s). 0522, 0525, 1125. | | | 17 692007 Bearing-Ball (PTO Side) 24 222698 Key-Flywheel 146 690979 Key-Timing (Used with Timing Gear 691847) Note 499047 Key-Timing (Used with Timing Gear 261696) 357 692191 Key-Drive Pulley 741 691847 Timing Gear (Uses Woodruff Key) Note 261696 Gear-Timing (Uses Locating Pin) |

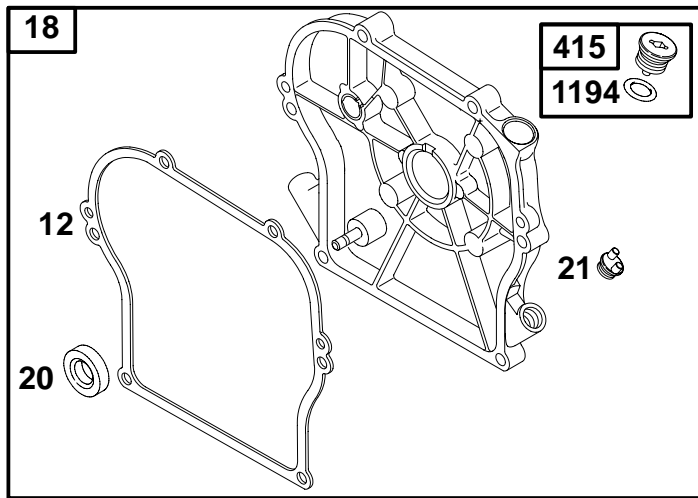
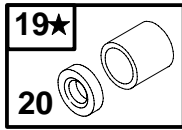
★ Included in Engine Gasket Set-Ref. No. 358.

● Included in Carburetor Overhaul Kit-Ref. No. 121.

∅ Included in Valve Gasket Set-Ref. No. 1095.

133200 to 133299

★ **REQUIRES SPECIAL TOOLS TO INSTALL. SEE REPAIR INSTRUCTION MANUAL.**



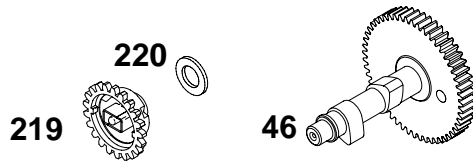
| REF. NO. | PART NO. | DESCRIPTION | REF. NO. | PART NO. | DESCRIPTION | REF. NO. | PART NO. | DESCRIPTION |
|----------|----------|------------------------------------|----------|----------|--|----------|----------|--|
| 12 | ★692213 | Gasket-Crankcase (.015", Standard) | 18 | 694319 | Cover-Crankcase (Used After Code Date 99031400). | 19 | 495660 | Kit-Bushing/Seal (PTO Side) |
| | | Note | | | Note | 20 | ★495307 | Seal-Oil (PTO Side) |
| | | ★270125 Gasket-Crankcase (.005") | | | 694319 Cover-Crankcase (Used Before Code Date 99031500). | | | Note |
| | | ★270126 Gasket-Crankcase (.009). | | | 694377 Cover-Crankcase (Used Before Code Date 99031500). Used on Type No(s). 0001, 0009, 0024, 0027, 0049, 0060, 0063, 0102, 0112, 0113, 0116, 0119, 0120, 0121, 0122, 0127, 0131, 0137, 0140, 0142, 0154, 0159, 0324, 0349, 0360, 0522, 0525, 0526, 1012, 1024, 1049, 1060, 1063, 1125, 1130, 1131. | | | 294606 Seal-Oil (PTO Side) Used on Type No(s). 0019, 0103, 0124, 0156, 0524, 1156. |
| | | | | | 694375 Cover-Crankcase Used on Type No(s). 0019, 0103. | 21 | 281658 | Cap-Oil Fill |
| | | | | | 694350 Cover-Crankcase Used on Type No(s). 0124, 0156, 0524, 1156. | 22 | 691662 | Screw (Crankcase Cover) |
| | | | | | | 415 | 691363 | Plug |
| | | | | | | 1194 | 691876 | O Ring Seal (Plug) |

★ Included in Engine Gasket Set-Ref. No. 358.

● Included in Carburetor Overhaul Kit-Ref. No. 121.

∅ Included in Valve Gasket Set-Ref. No. 1095.

133200 to 133299



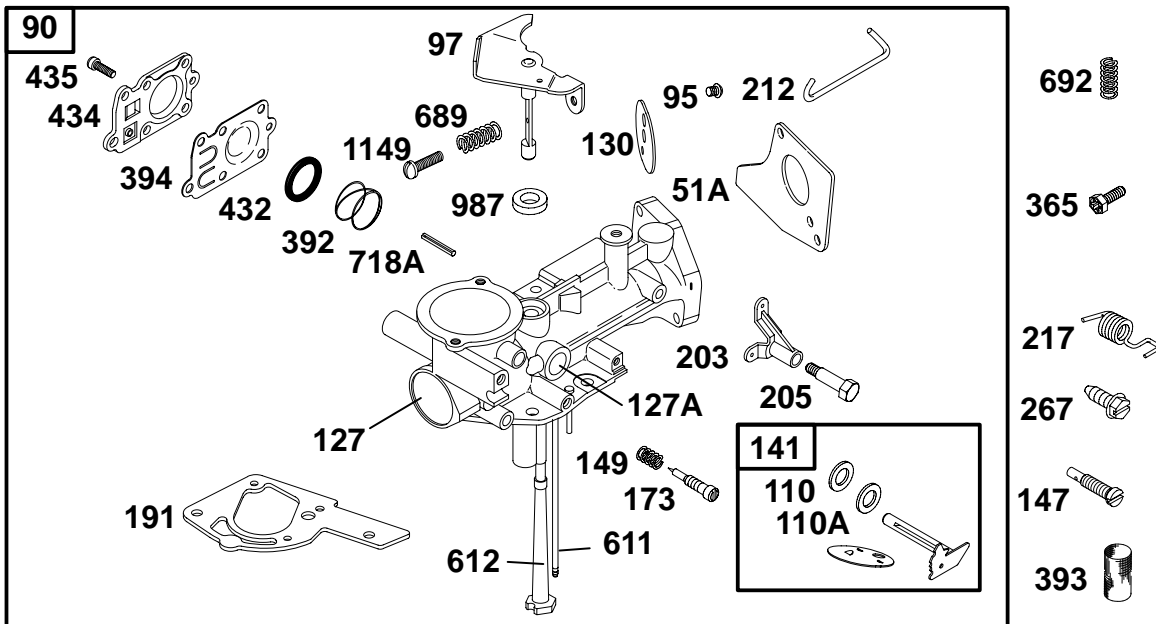
| REF. NO. | PART NO. | DESCRIPTION | REF. NO. | PART NO. | DESCRIPTION | REF. NO. | PART NO. | DESCRIPTION |
|----------|----------|---|----------|----------|---------------|----------|----------|-------------|
| 46 | 691164 | Camshaft (Used After Code Date 96112400). Note 691164 Camshaft (Used Before Code Date 96112500). 691166 Camshaft Used on Type No(s). 0019, 0103. | 219 | 494845 | Gear-Governor | 220 | 691724 | Washer |

★ Included in Engine Gasket Set-Ref. No. 358.

● Included in Carburetor Overhaul Kit-Ref. No. 121.

∅ Included in Valve Gasket Set-Ref. No. 1095.

133200 to 133299



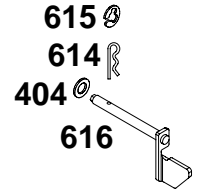
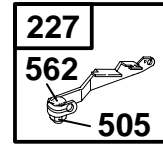
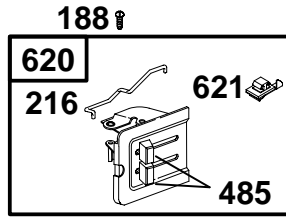
| REF. NO. | PART NO. | DESCRIPTION | REF. NO. | PART NO. | DESCRIPTION | REF. NO. | PART NO. | DESCRIPTION |
|----------|----------|---|----------|----------|--------------------------------|----------|----------|---|
| 51A | ★●273113 | Gasket-Intake | 149 | 691592 | Spring-Needle Valve | 432 | 690766 | Cap-Spring |
| 90 | 498298 | Carburetor | 173 | ●691777 | Valve-Idle Mixture | 434 | 691713 | Cover-Diaphragm |
| 95 | 691437 | Screw (Throttle Valve) | 191 | ★●692241 | Gasket-Fuel Tank | 435 | 691619 | Screw (Diaphragm Cover) |
| 97 | 692325 | Shaft-Throttle | 203 | 691906 | Crank-Bell (Standard Nylon) | 611 | 691770 | Pipe-Fuel |
| 110 | 691869 | Washer (Choke Shaft, Felt) | 205 | 691776 | Screw (Bell Crank) | 612 | 391813 | Tube-Pick Up (Uses Clip Spring) |
| 110A | 690401 | Washer (Choke Shaft, Brass) | 212 | 691812 | Link-Throttle | 689 | 691783 | Spring-Friction (Idle Screw) |
| 127 | 691718 | Plug-Welch | 217 | 691815 | Spring-Choke Return | 692 | 690572 | Spring-Detent Used on Type No(s). 0313, 0324, 0335, 0336, 0338, 0349, 0350, 0360, 0514, 0522, 0524, 0525, 0526, 1010, 1013, 1014, 1015, 1024, 1035, 1036, 1038, 1040, 1049, 1050, 1060, 1063, 1064, 1131, 1151, 1156, 1163. |
| 127A | 691742 | Plug-Welch | 267 | 691082 | Screw (Casing Clamp) | 718A | 690296 | Pin-Locating (Pump Cover) |
| 130 | 691743 | Valve-Throttle | 365 | 690953 | Screw (Carburetor) | 987 | 695273 | Seal-Throttle Shaft |
| 141 | 497230 | Kit-Choke Shaft (Used After Code Date 94083100). Note 491177 Kit-Choke Shaft (Used Before Code Date 94090100) | 392 | 691823 | Spring-Pump Diaphragm | 1149 | 691624 | Screw (Throttle Shaft) |
| 147 | 691250 | Jet-Pilot (Standard) Used on Type No(s). 0324, 0335, 0336, 0338, 0349, 0350, 0360, 0514. Note 692725 Jet-Pilot (High Altitude) | 393 | 691213 | Screen-Carburetor | | | |
| | | | 394 | ●272538 | Diaphragm-Carburetor (Pump) | | | |

★ Included in Engine Gasket Set-Ref. No. 358.

● Included in Carburetor Overhaul Kit-Ref. No. 121.

∅ Included in Valve Gasket Set-Ref. No. 1095.

133200 to 133299



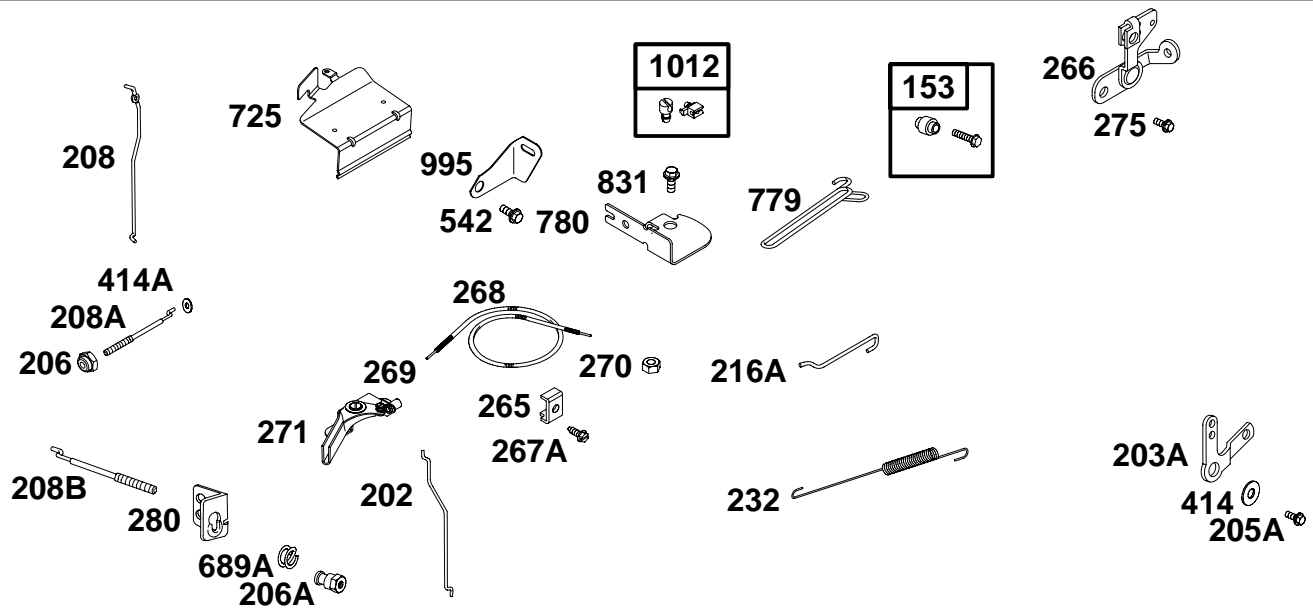
| REF. NO. | PART NO. | DESCRIPTION | REF. NO. | PART NO. | DESCRIPTION | REF. NO. | PART NO. | DESCRIPTION |
|----------|----------|----------------------------|----------|----------|-------------------------------------|----------|----------|----------------------------|
| 188 | 692200 | Screw (Control Bracket) | 485 | 692295 | Knob-Control | 615 | 93307 | Retainer-Governor Shaft |
| 216 | 691824 | Link-Choke (Manual) | 505 | 691251 | Nut (Governor Control Rod) | 616 | 692016 | Crank_Governor |
| 227 | 690653 | Lever-Governor Control | 562 | 691119 | Bolt (Governor Control Lever) | 620 | 490649 | Bracket-Control (Panel) |
| 404 | 691691 | Washer (Governor Crank) | 614 | 691620 | Pin-Cotter | 621 | 692310 | Switch-Stop |

★ Included in Engine Gasket Set-Ref. No. 358.

● Included in Carburetor Overhaul Kit-Ref. No. 121.

∅ Included in Valve Gasket Set-Ref. No. 1095.

133200 to 133299



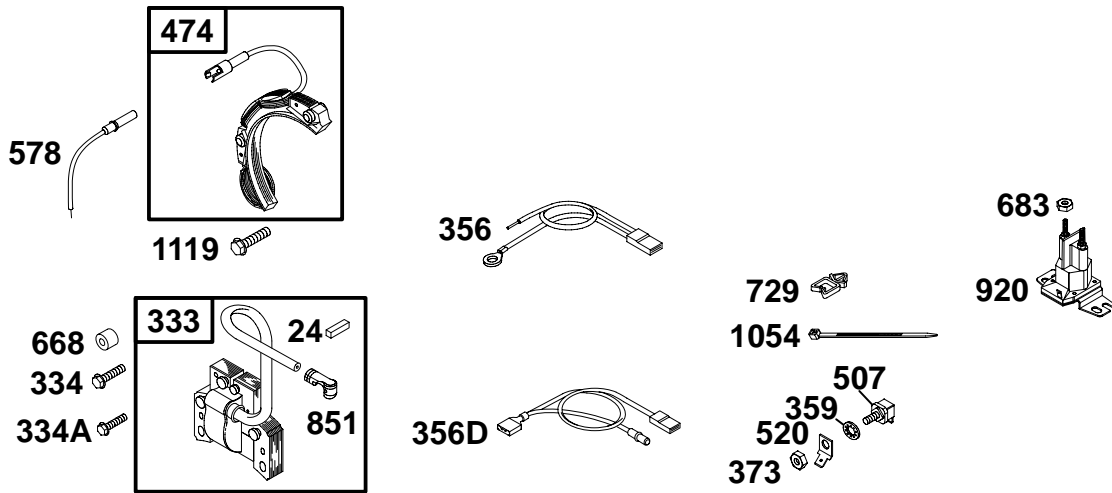
| REF. NO. | PART NO. | DESCRIPTION | REF. NO. | PART NO. | DESCRIPTION | REF. NO. | PART NO. | DESCRIPTION |
|----------|----------|---|----------|----------|--|----------|----------|---------------------------------------|
| 153 | 490589 | Kit-Collar/Screw | 266 | 691414 | Control-Throttle (Remote Governor/Idle) (Cut to Required Length) | 275 | 691683 | Screw (Control Throttle) |
| 202 | 691814 | Link-Mechanical Governor | 267A | 690804 | Screw (Casing Clamp) | 280 | 691184 | Bracket-Rod |
| 203A | 691744 | Crank-Bell | 268 | 691072 | Casing-Control Wire | 410 | 691274 | Link-Control |
| 205A | 690320 | Screw (Bell Crank) | 269 | 691589 | Wire-Control | 414 | 691721 | Washer (Bell Crank) |
| 206 | 690325 | Nut (Governor Adjusting) | 270 | 691027 | Nut (Control Wire Casing) | 414A | 691721 | Washer (Governor Idle Control Rod) |
| 206A | 691771 | Nut (Governor Adjusting) | 271 | 691028 | Lever-Control | 542 | 691683 | Screw (Link Bracket) |
| 208 | 691813 | Rod-Governor Control | | | | 689A | 692522 | Spring-Friction |
| 208A | 691820 | Rod-Governor Control | | | | 725 | 690440 | Shield-Heat (Fuel Tank) |
| 208B | 691821 | Rod-Governor Control | | | | 779 | 691828 | Link-Bell Crank |
| 216A | 691271 | Link-Choke | | | | 780 | 691211 | Anchor-Spring |
| 232 | 691819 | Spring-Governor Link (1 Wire, Ring and Male Blade Terminals) | | | | 831 | 691099 | Screw (Spring Anchor) |
| 265 | 691024 | Clamp-Casing | | | | 995 | 691756 | Bracket-Link |
| | | | | | | 1012 | 490507 | Retainer-Link |

★ Included in Engine Gasket Set-Ref. No. 358.

● Included in Carburetor Overhaul Kit-Ref. No. 121.

∅ Included in Valve Gasket Set-Ref. No. 1095.

133200 to 133299



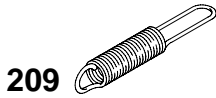
| REF. NO. | PART NO. | DESCRIPTION | REF. NO. | PART NO. | DESCRIPTION | REF. NO. | PART NO. | DESCRIPTION |
|----------|----------|--|----------|----------|-----------------------------|----------|----------|--|
| 24 | 222698 | Key-Flywheel | 359 | 691077 | Washer (Ground Terminal) | 578 | 692306 | Wire Assembly |
| 333 | 397358 | Armature-Magneto | 373 | 691612 | Nut (Ground Terminal) | 668 | 690531 | Spacer (Used on Models with Electric Start) |
| 334 | 690306 | Screw (Magneto Armature) (Used on Models with Electric Start) | 474 | 494254 | Alternator | 683 | 691029 | Nut (Starter Solenoid) |
| 334A | 691621 | Screw | 507 | 691972 | Insulator | 729 | 690588 | Clip-Wire (Nylon) |
| 356 | 398808 | Wire-Stop (2 Wire, 1 Ring Terminal, 1 Bare Wire and Insulated Blade Terminal) | 520 | 691084 | Terminal-Ground | 851 | 493880 | Terminal-Spark Plug |
| 356D | 690650 | Wire-Stop (1 Wire, Ring and Male Blade Terminals) (Magneto Armature) | | | | 920 | 691656 | Solenoid-Starter (Alternator) |
| | | | | | | 1054 | 280275 | Tie-Cable |
| | | | | | | 1119 | 691183 | Screw (Alternator) |

★ Included in Engine Gasket Set-Ref. No. 358.

● Included in Carburetor Overhaul Kit-Ref. No. 121.

∅ Included in Valve Gasket Set-Ref. No. 1095.

133200 to 133299



| REF. NO. | PART NO. | DESCRIPTION | REF. NO. | PART NO. | DESCRIPTION | REF. NO. | PART NO. | DESCRIPTION | |
|------------|---------------|--|------------|---------------|----------------------|----------|----------|-------------|--|
| 209 | 690376 | Spring-Governor (Red) Note 691816 Spring-Governor (Black) Used on Type No(s). 0127, 0156 1012, 1035, 1040, 1050. 690549 Spring-Governor (Blue) Used on Type No(s). 0001, 0020 0021, 0135, 0150, 0154, 0157, 0313, 0324, 0335, 0336, 0349, 0350, 0360, 0514, 0522, 0524, 0525, 0526, 1002, 1010, 1013, 1015, 1024, 1036, 1049, 1060, 1063, 1064, 1101, 1118, 1125, 1126, 1130, 1143, 1151, 1162 691817 Spring-Governor (Green) Used on Type No(s). 0038, 0116, 0131, 0338, 1038, 1131, 1156. 690550 Spring-Governor (Yellow) Used on Type No(s). 0007, 0014, 0061, 0115, 0138, 0148, 1014. 691845 Spring-Governor (Silver) Used on Type No(s). 1156. | 211 | 691850 | Spring-Governed Idle | | | | |


★ Included in Engine Gasket Set-Ref. No. 358.

● Included in Carburetor Overhaul Kit-Ref. No. 121.

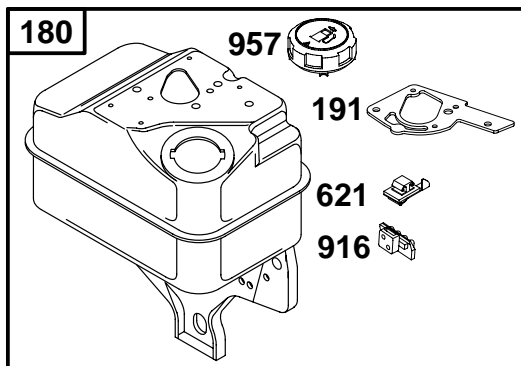
∅ Included in Valve Gasket Set-Ref. No. 1095.

133200 to 133299

190 

190A 

190B 



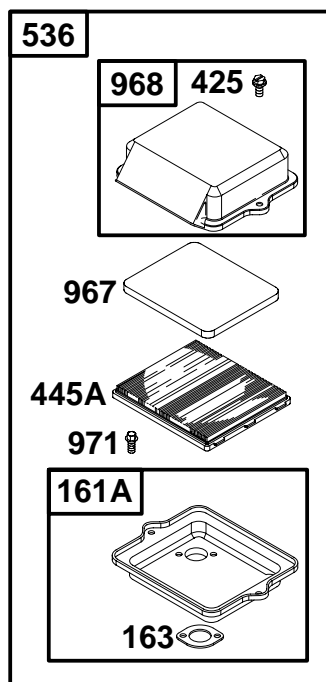
| REF. NO. | PART NO. | DESCRIPTION | REF. NO. | PART NO. | DESCRIPTION | REF. NO. | PART NO. | DESCRIPTION |
|----------|----------|-------------------------------|----------|----------|------------------|--|----------|-------------------------------|
| 180 | 694315 | Tank-Fuel (Metal, 3 Quart) | 191 | ★●692241 | Gasket-Fuel Tank | 916 | 691900 | Rack-Governor Gear (Black) |
| 190 | 692200 | Screw (Fuel Tank) | 621 | 692310 | Switch-Stop | <p align="center">Note</p> <p>690583 Rack-Governor Gear Used on Type No(s). 0020, 0021, 0114.</p> | | |
| 190A | 691687 | Screw (Fuel Tank) | | | | 957 | 494559 | Cap-Fuel Tank (Plastic) |
| 190B | 691685 | Screw (Fuel Tank) | | | | | | |

★ Included in Engine Gasket Set-Ref. No. 358.

● Included in Carburetor Overhaul Kit-Ref. No. 121.

∅ Included in Valve Gasket Set-Ref. No. 1095.

133200 to 133299



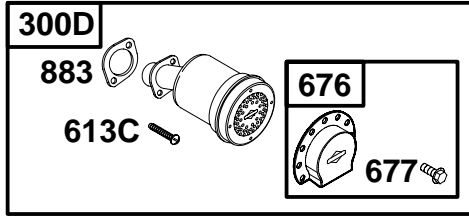
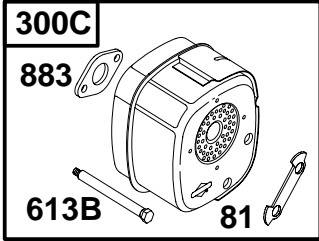
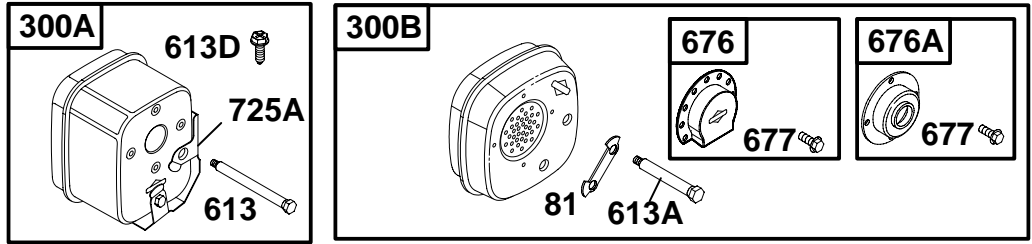
| REF. NO. | PART NO. | DESCRIPTION | REF. NO. | PART NO. | DESCRIPTION | REF. NO. | PART NO. | DESCRIPTION |
|----------|----------|---------------------------|----------|----------|------------------------------|----------|----------|--------------------------|
| 161A | 694484 | Base—Air Cleaner | 445A | 491588 | Filter—Air Cleaner Cartridge | 968 | 692321 | Cover—Air Cleaner |
| 163 | ★Ø271935 | Gasket—Air Cleaner | 536 | 494279 | Cleaner—Air | 971 | 690859 | Screw (Air Cleaner Base) |
| 425 | 694515 | Screw (Air Cleaner Cover) | 967 | 491435 | Filter—Pre Cleaner | | | |

★ Included in Engine Gasket Set—Ref. No. 358.

● Included in Carburetor Overhaul Kit—Ref. No. 121.

Ø Included in Valve Gasket Set—Ref. No. 1095.

133200 to 133299



981

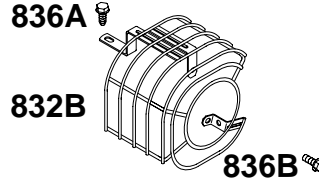
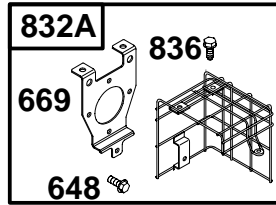
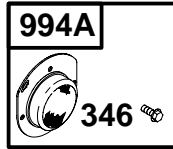
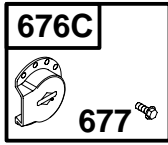
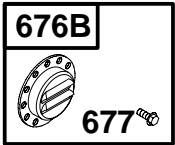
| REF. NO. | PART NO. | DESCRIPTION | REF. NO. | PART NO. | DESCRIPTION | REF. NO. | PART NO. | DESCRIPTION |
|----------|----------|---|----------|----------|-----------------|----------|----------|--------------------------------|
| 81 | 691729 | Lock-Muffler Screw | 613 | 691351 | Screw (Muffler) | 676 | 393757 | Deflector-Muffler (Side Out) |
| 300A | 691969 | Muffler (Super Lo Tone) | 613A | 691413 | Screw (Muffler) | 676A | 395700 | Deflector-Muffler (Direct Out) |
| 300B | 494585 | Muffler (Standard) | 613B | 691632 | Screw (Muffler) | 677 | 690661 | Screw (Muffler Deflector) |
| 300C | 390918 | Muffler (Lo Tone) | 613C | 691665 | Screw (Muffler) | 725A | 690466 | Shield-Heat |
| | | Note _____ | 613D | 690810 | Screw (Muffler) | 883 | ★692237 | Gasket-Exhaust |
| | | 692304 Muffler (Lo Tone) | | | | 981 | 690408 | Brace-Muffler |
| | | Used on Type No(s). 0111, 0112, 0151, 1151. | | | | | | |
| 300D | 496892 | Muffler (Round Lo Tone) | | | | | | |

★ Included in Engine Gasket Set-Ref. No. 358.

● Included in Carburetor Overhaul Kit-Ref. No. 121.

∅ Included in Valve Gasket Set-Ref. No. 1095.

133200 to 133299



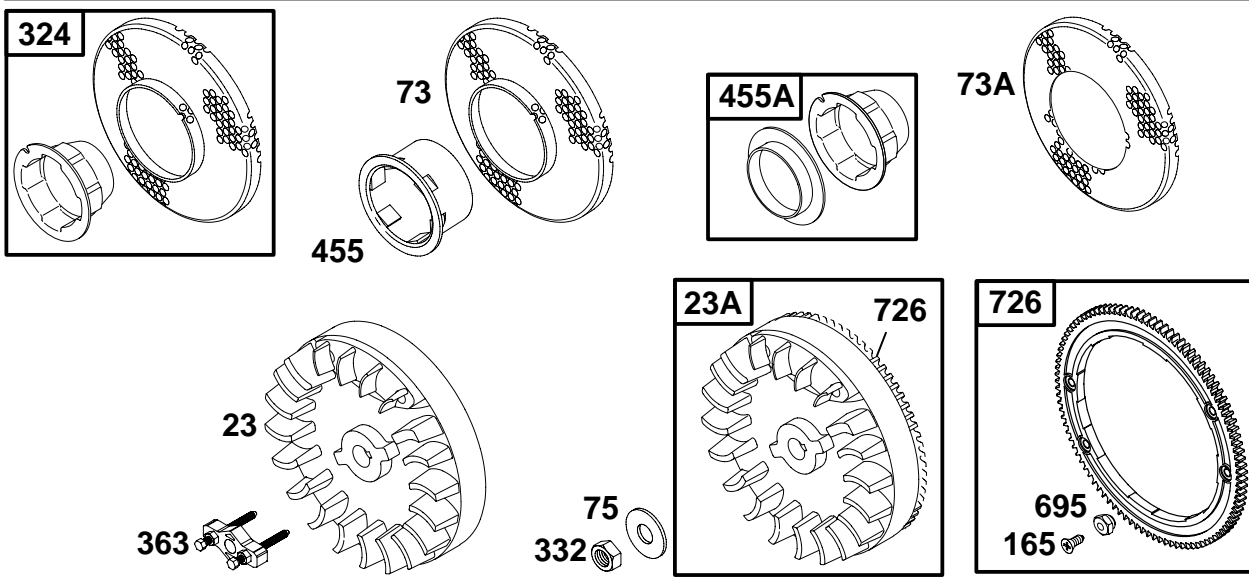
| REF. NO. | PART NO. | DESCRIPTION | REF. NO. | PART NO. | DESCRIPTION | REF. NO. | PART NO. | DESCRIPTION |
|----------|----------|---------------------------------------|----------|----------|-------------------------------|----------|----------|-----------------------|
| 346 | 690661 | Screw (Spark Arrestor) | 677 | 690661 | Screw (Muffler Deflector) | 836 | 690664 | Screw (Muffler Guard) |
| 648 | 691660 | Screw (Muffler Guard Bracket) | 832A | 490534 | Guard-Muffler (Super Lo Tone) | 836A | 692198 | Screw (Muffler Guard) |
| 669 | 690425 | Bracket-Muffler | 832B | 690625 | Guard-Muffler (Lo Tone) | 836B | 690367 | Screw (Muffler Guard) |
| 676B | 393758 | Deflector-Muffler | | | | 994A | 399541 | Arrestor-Spark |
| 676C | 494423 | Deflector-Muffler (Side Out, Shallow) | | | | | | |

★ Included in Engine Gasket Set-Ref. No. 358.

● Included in Carburetor Overhaul Kit-Ref. No. 121.

∅ Included in Valve Gasket Set-Ref. No. 1095.

133200 to 133299



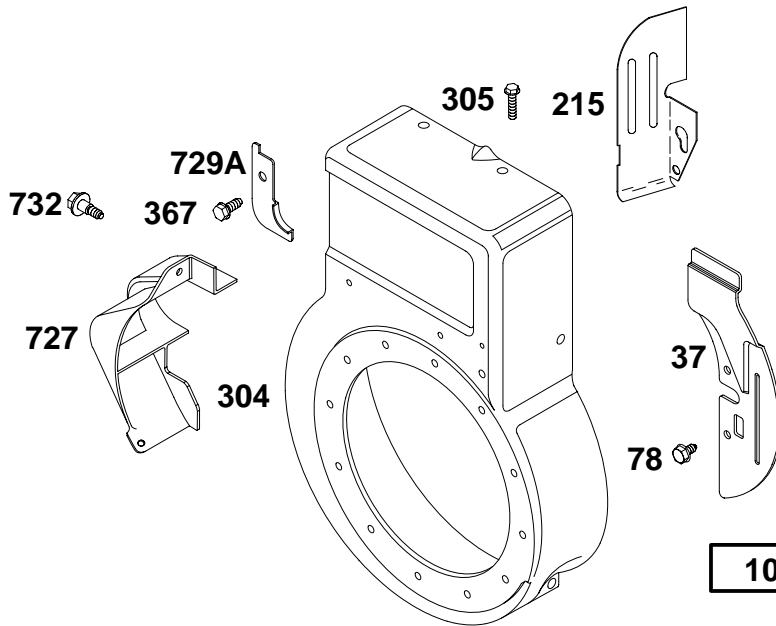
| REF. NO. | PART NO. | DESCRIPTION | REF. NO. | PART NO. | DESCRIPTION | REF. NO. | PART NO. | DESCRIPTION |
|----------|----------|---|----------|----------|----------------------|----------|----------|---|
| 23 | 399673 | Flywheel (Rewind Start) | 75 | 690582 | Washer (Flywheel) | 455 | | Cup-Flywheel (For Replacement Flywheel Cup, See Ref 324 for Service) (Used After Code Date 95020200). |
| 23A | 690820 | Flywheel (Electric Start) | 165 | 693148 | Nut (Ring Gear) | | | Note 224250 Cup-Flywheel (With Ring) (Used Before Code Date 95020300). |
| 73 | | Screen-Rotating (For Replacement Rotating Screen, See Ref 324 for Service) (Used After Code Date 95020200). | 324 | 695161 | Screen/Cup Assembly | 455A | | Cup-Flywheel (For Replacement Flywheel Cup, See Ref 324 for Service.) (Used After Code Date 95010800). |
| | | Note 224883 Screen- Rotating (Use Straight side Cup Without Ring) (Used Before Code Date 95020300). | 332 | 690662 | Nut (Flywheel) | | | Note 494770 Cup-Flywheel (Without Ring) (Used Before Code Date 95010800). |
| 73A | | Screen-Rotating (For Replacement Rotating Screen, See Ref 324 for Service) (Used After Code Date 95010800). | 363 | 19069 | Flywheel Puller | 695 | 693149 | Screw (Ring Gear) |
| | | Note 224974 Screen Rotating (Used Before Code Date 95010900). | | | | 726 | 495765 | Gear-Ring (Includes Mounting Hardware) |

★ Included in Engine Gasket Set-Ref. No. 358.

● Included in Carburetor Overhaul Kit-Ref. No. 121.

∅ Included in Valve Gasket Set-Ref. No. 1095.

133200 to 133299



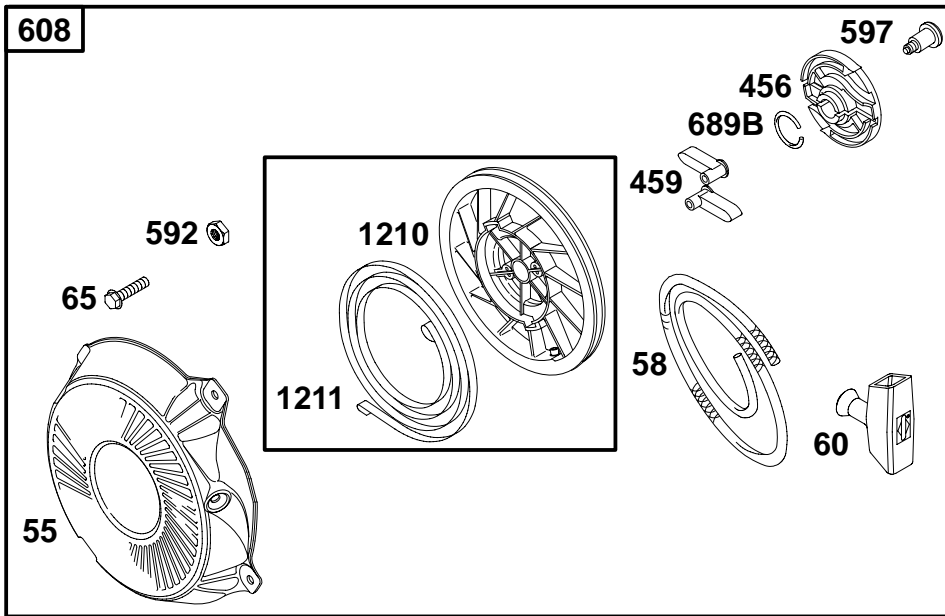
| REF. NO. | PART NO. | DESCRIPTION | REF. NO. | PART NO. | DESCRIPTION | REF. NO. | PART NO. | DESCRIPTION |
|----------|----------|--|----------|----------|-----------------------------|----------|----------|--|
| 37 | 691732 | Guard-Flywheel | 305 | 692198 | Screw (Blower Housing) | 1036 | 695100 | Label-Emissions (Used After Code Date 9909300). |
| 78 | 691660 | Screw (Flywheel Guard) | 367 | 691660 | Screw (Wire Clip) | | | Note |
| 215 | 691745 | Guide-Air (Rewind Start Engines) | 727 | 690600 | Cover-Starter Drive | | | 694517 Label-Emissions (Used After Code Date 98123100 and Before Code Date 99010100). |
| | | Note | 729A | 690471 | Clip-Wire (Steel) | | | 499345 Label-Emissions (Used After Code Date 97052500 and Before Code Date 99010100). |
| | | 690472 Guide-Air (Electric Start Engines) | 732 | 691097 | Screw (Starter Drive Cover) | | | 499344 Label-Emissions (Used Before Code Date 97052600). |
| 304 | 495759 | Housing-Blower (Black)(Rewind Start Engines) | | | | | | |
| | | Note | | | | | | |
| | | 495760 Housing-Blower (Black)(Electric Start Engines) | | | | | | |

★ Included in Engine Gasket Set-Ref. No. 358.

● Included in Carburetor Overhaul Kit-Ref. No. 121.

∅ Included in Valve Gasket Set-Ref. No. 1095.

133200 to 133299



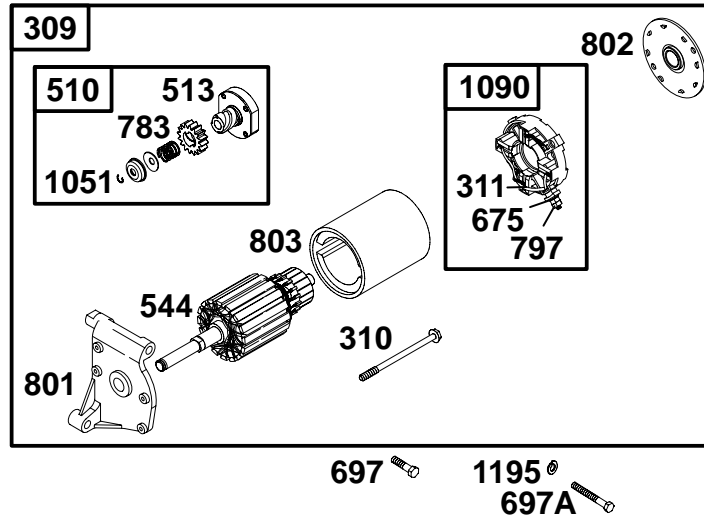
| REF. NO. | PART NO. | DESCRIPTION | REF. NO. | PART NO. | DESCRIPTION | REF. NO. | PART NO. | DESCRIPTION |
|----------|----------|---------------------------------------|----------|----------|-----------------------------|----------|----------|---------------------------------|
| 55 | 691421 | Housing-Rewind Starter | 456 | 692299 | Plate-Pawl Friction | 689B | 691855 | Spring-Friction (Ratchet Pawl) |
| 58 | 691921 | Rope-Starter (Cut To Required Length) | 459 | 281505 | Pawl-Ratchet | 1210 | 498144 | Pulley/Spring Assembly (Pulley) |
| 60 | 691915 | Grip-Starter Rope | 592 | 691251 | Nut (Rewind Starter) | 1211 | 498144 | Pulley/Spring Assembly (Spring) |
| 65 | 690837 | Screw (Rewind Starter) | 597 | 691696 | Screw (Pawl Friction Plate) | | | |
| | | | 608 | 497830 | Starter-Rewind | | | |

★ Included in Engine Gasket Set-Ref. No. 358.

● Included in Carburetor Overhaul Kit-Ref. No. 121.

∅ Included in Valve Gasket Set-Ref. No. 1095.

133200 to 133299



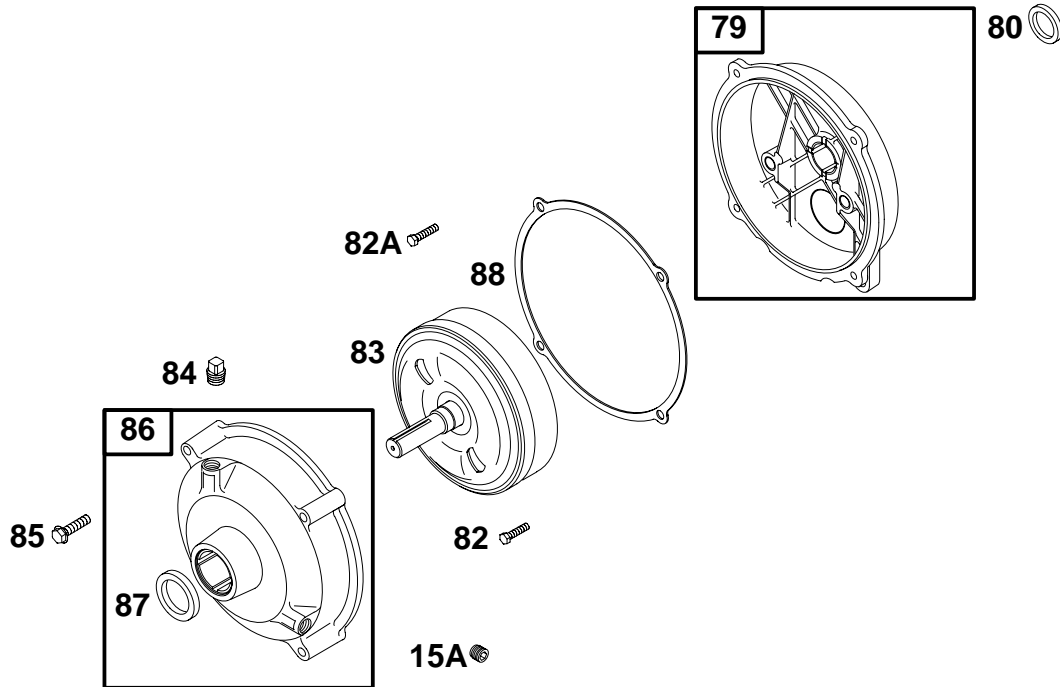
| REF. NO. | PART NO. | DESCRIPTION | REF. NO. | PART NO. | DESCRIPTION | REF. NO. | PART NO. | DESCRIPTION |
|----------|----------|----------------------------|----------|----------|-------------------------|----------|----------|-----------------------|
| 309 | 690658 | Motor-Starter | 697 | 690298 | Screw (Drive Cap) | 801 | 690835 | Cap-Drive |
| 310 | 690323 | Bolt (Starter Motor) | 697A | 693972 | Screw (Drive Cap) | 802 | 691286 | Cap-End |
| 311 | 395538 | Brush Set | 783 | 692353 | Gear-Pinion | 803 | 693757 | Housing-Starter |
| 510 | 499308 | Drive-Starter | 797 | 691029 | Nut (Brush Retainer) | 1051 | 691265 | Retainer Ring |
| 513 | 692024 | Clutch-Drive | | | | 1090 | 691293 | Retainer Brush |
| 544 | 692966 | Armature-Starter | | | | 1195 | 691075 | Washer (Drive Cap) |
| 675 | 690372 | Washer (Brush Retainer) | | | | | | |

★ Included in Engine Gasket Set-Ref. No. 358.

● Included in Carburetor Overhaul Kit-Ref. No. 121.

∅ Included in Valve Gasket Set-Ref. No. 1095.

133200 to 133299



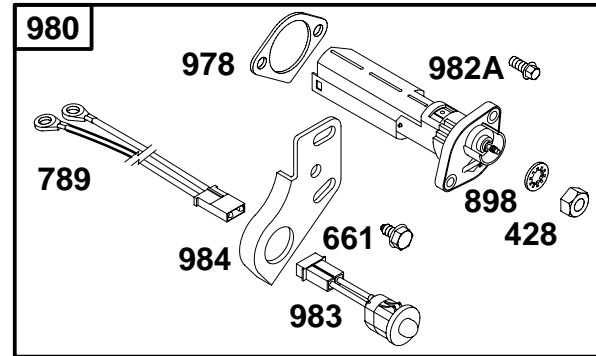
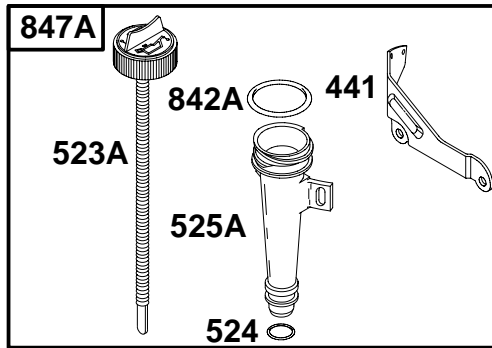
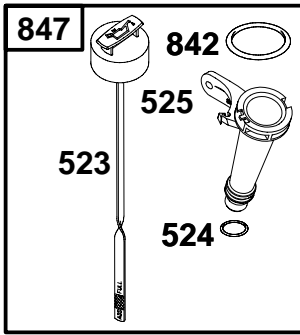
| REF. NO. | PART NO. | DESCRIPTION | REF. NO. | PART NO. | DESCRIPTION | REF. NO. | PART NO. | DESCRIPTION |
|----------|----------|---|----------|----------|--|----------|----------|--------------------------------|
| 15A | 691682 | Plug—Oil Drain (Gear Reduction) | 82 | 690369 | Screw (Reduction Gear Case) | 86 | 690608 | Gear Cover Assembly |
| 20A | 692019 | Seal—Oil (PTO Side) (Gear Reduction) Used on Type No(s). 0116, 0131, 0159, 1131. | 82A | 691122 | Screw (Reduction Gear Case) | 87 | 691582 | Seal—Gear Reduction |
| 79 | 690605 | Case—Gear Reduction | 83 | 690374 | Shaft—Auxiliary Drive | 88 | 691600 | Gasket—Gear Reduction Cover |
| 80 | 691602 | Gasket—Gear Case | 84 | 691121 | Plug—Breather | | | |
| | | | 85 | 691117 | Screw (Gear Cover to Gear Reduction) | | | |

★ Included in Engine Gasket Set—Ref. No. 358.

● Included in Carburetor Overhaul Kit—Ref. No. 121.

∅ Included in Valve Gasket Set—Ref. No. 1095.

133200 to 133299



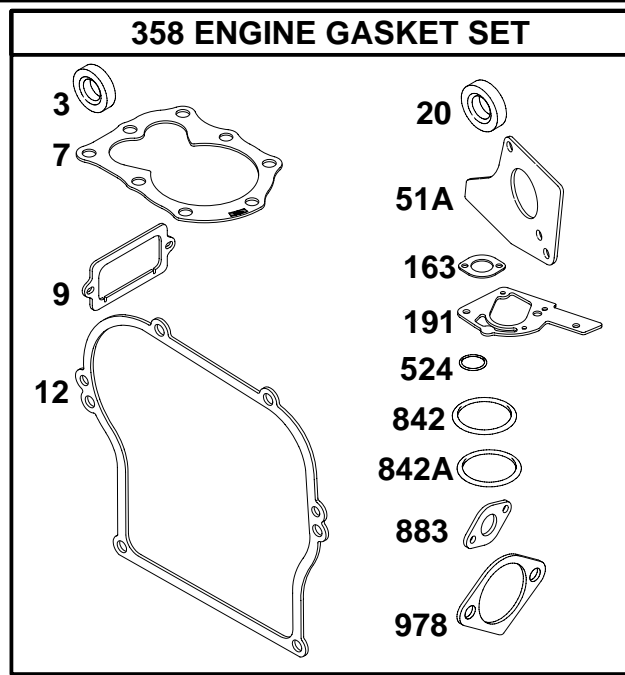
| REF. NO. | PART NO. | DESCRIPTION | REF. NO. | PART NO. | DESCRIPTION | REF. NO. | PART NO. | DESCRIPTION |
|----------|----------|---|----------|----------|---|----------|----------|---|
| 287 | 691693 | Screw (Dipstick Tube) | 789 | 398661 | Harness-Wiring | 898 | 691077 | Washer (Oil Gard® Kit) |
| 428 | 691612 | Nut (Oil Gard® Kit) | 842 | ★691031 | O-Ring Seal (Used After Code Date 99031400). | 978 | 273326 | Gasket-Oil Guard® |
| 441 | 690448 | Bracket-Oil Fill | 842A | ★691870 | O-Ring Seal (Used Before Code Date 99031500 and After Code Date 9031400). | 980 | 398182 | Kit-Oil Gard® |
| 523 | 495264 | Dipstick | 847 | 694381 | Dipstick/Tube Assembly (Without Bracket) (Used After Code Date 99031400). | 982A | 690350 | Screw (Oil Gard® Kit) |
| 523A | 691388 | Dipstick (Spring) (Used Before Code Date 99031500). | 847A | 691379 | Dipstick/Tube Assembly (With Bracket) (Used Before Code Date 99031500). | 983 | 398660 | Light-Indicator |
| 524 | ★691876 | Seal-Dipstick Tube | | | | 984 | 692340 | Bracket-Oil Gard® Light (Oil Gard® Kit) |
| 525 | 694379 | Tube-Dipstick For Flat Wire Dipstick (Used After Code Date 99031400). | | | | | | |
| 525A | 694531 | Tube-Dipstick (For Spring Dipstick) (Used Before Code Date 99031500). | | | | | | |
| 661 | 690661 | Screw (Oil Gard® Light Bracket) | | | | | | |

★ Included in Engine Gasket Set-Ref. No. 358.

● Included in Carburetor Overhaul Kit-Ref. No. 121.

∅ Included in Valve Gasket Set-Ref. No. 1095.

133200 to 133299



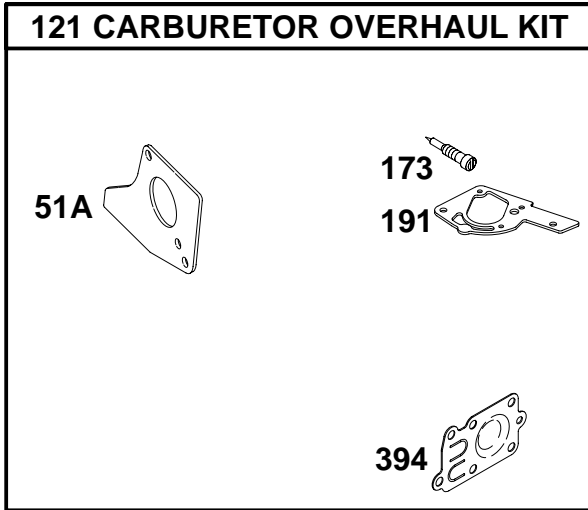
| REF. NO. | PART NO. | DESCRIPTION | REF. NO. | PART NO. | DESCRIPTION | REF. NO. | PART NO. | DESCRIPTION |
|----------|----------|---|----------|----------|---|----------|----------|------------------|
| 3 | ★299819 | Seal—Oil (Magneto Side) | 20 | ★495307 | Seal—Oil (PTO Side) | 883 | ★692237 | Gasket—Exhaust |
| 7 | ★∅272157 | Gasket—Cylinder Head | 51A | ★273113 | Gasket—Intake | 978 | ★273326 | Gasket—Oil Gard® |
| 9 | ★∅27549 | Gasket—Breather | 163 | ★∅271935 | Gasket—Air Cleaner | | | |
| 12 | ★692213 | Gasket—Crankcase (.015", Standard) | 191 | ★●692241 | Gasket—Fuel Tank | | | |
| | | Note | 358 | 495603 | Gasket Set—Engine | | | |
| | | ★270125 Gasket— Crankcase (.005") | 524 | ★691876 | Seal—Dipstick Tube | | | |
| | | ★270126 Gasket— Crankcase (.009") | 842 | ★691031 | O—Ring Seal (Used After Code Date 99031400) | | | |
| | | | 842A | ★691870 | O—Ring Seal (Used Before Code Date 99031500 and After Code Date 9031400). | | | |

★ Included in Engine Gasket Set—Ref. No. 358.

● Included in Carburetor Overhaul Kit—Ref. No. 121.

∅ Included in Valve Gasket Set—Ref. No. 1095.

133200 to 133299



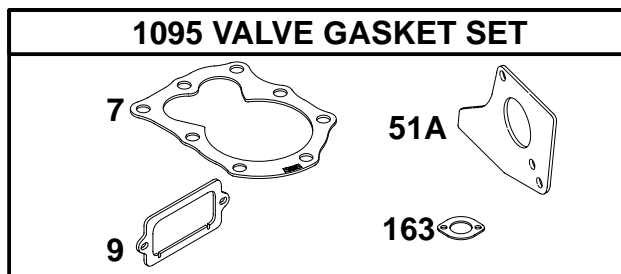
| REF. NO. | PART NO. | DESCRIPTION | REF. NO. | PART NO. | DESCRIPTION | REF. NO. | PART NO. | DESCRIPTION |
|------------|-----------------|-------------------------|------------|-----------------|-------------------------|------------|----------------|-----------------------------|
| 51A | ★●273113 | Gasket-Intake | 173 | ●691777 | Valve-Idle Mixture | 394 | ●272538 | Diaphragm-Carburetor (Pump) |
| 121 | 495606 | Kit-Carburetor Overhaul | 191 | ★●692241 | Gasket-Fuel Tank (Pump) | | | |

★ Included in Engine Gasket Set-Ref. No. 358.

● Included in Carburetor Overhaul Kit-Ref. No. 121.

∅ Included in Valve Gasket Set-Ref. No. 1095.

133200 to 133299



| REF. NO. | PART NO. | DESCRIPTION | REF. NO. | PART NO. | DESCRIPTION | REF. NO. | PART NO. | DESCRIPTION |
|----------|-----------------|----------------------|------------|------------------|--------------------|-------------|---------------|------------------|
| 7 | ★Ø272157 | Gasket-Cylinder Head | 51A | ★●Ø231113 | Gasket-Intake | 1095 | 498529 | Gasket Set-Valve |
| 9 | ★Ø27549 | Gasket-Breather | 163 | ★Ø271935 | Gasket-Air Cleaner | | | |

★ Included in Engine Gasket Set-Ref. No. 358.

● Included in Carburetor Overhaul Kit-Ref. No. 121.

Ø Included in Valve Gasket Set-Ref. No. 1095.