

## 12T700 to 12T799

# Illustrated Parts List

## Model Series

### 12T700 to 12T799

TYPE NUMBERS  
0651, 0660, 0671,  
0672, 0673, 0674,  
0675.

#### TO FIND THE CORRECT NUMBER OF THE PART YOU NEED: FOLLOW THE INSTRUCTIONS BELOW

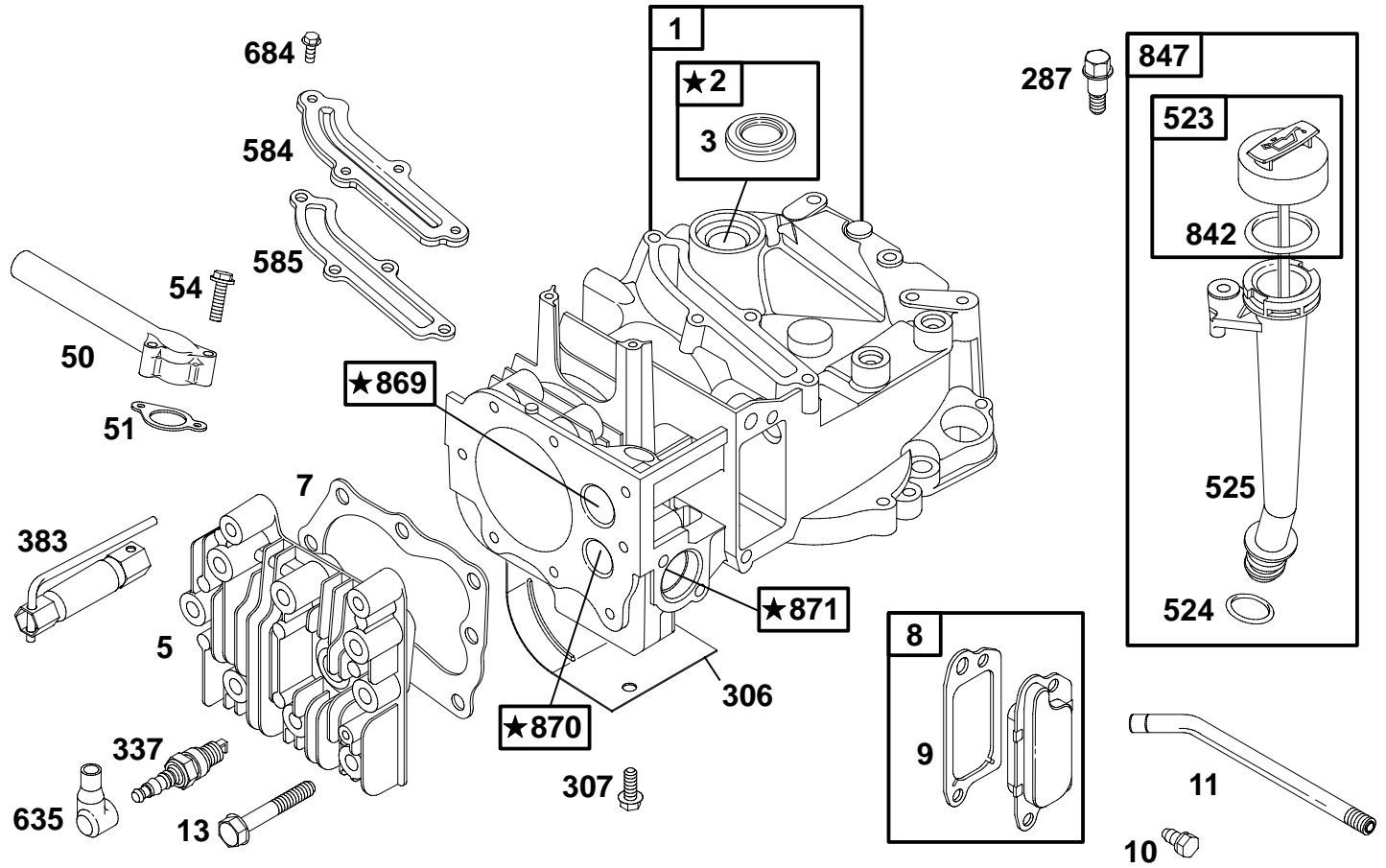
- A. Refer to Engine Model, Type and Code Number that is stamped on the blower housing of engine. Engine type numbers such as 0123 01 are listed only as 0123 in most instances. The two digits (01 or 02, etc.) to the right of the space may be required for more accurate parts identification in some instances. Select the Illustrated Parts List covering the correct Model Series and Type Number.
- B. Refer to the Illustrations and compare the original part with Illustration. The number next to the illustration is the Reference Number. Assemblies include all parts shown in frames. All parts shown in assembly frames having individual reference numbers can be purchased separately.
- C. After the Reference Number has been identified, refer to the Numerical text, where Reference and Primary Part Number are listed. **THE PRIMARY PART IS USED ON ALL TYPE NUMBERS EXCEPT THOSE TYPE NUMBERS UNDER "NOTE."**
- D. If a "Note" appears below the Primary Part Number, it means that this part differs from the Primary Part for certain types. If your Type number is listed under "Note," order the part referred to at the "Note."
- E. If your Engine Type Number does not appear after any part number listed under "Note," use the Primary Part Number.
- F. For Engine Type Numbers not covered by this book, check other Parts Lists having the same engine model or contact your source of supply.

PRINTED IN U.S.A.



COPYRIGHT by BRIGGS & STRATTON CORPORATION  
All rights reserved. No part of this material may be reproduced or transmitted, in any form or by any means, electronic or mechanical, including photocopying, recording or by any information storage and retrieval system, without permission in writing from Briggs & Stratton Corporation.

# 12T700 to 12T799



**1019 LABEL KIT**

**1058 OWNER'S MANUAL**

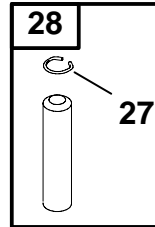
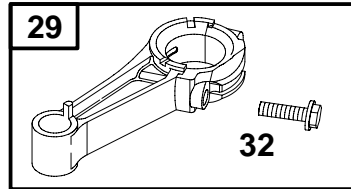
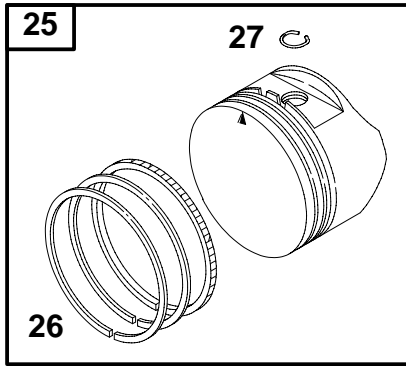
★ **REQUIRES SPECIAL TOOLS TO INSTALL. SEE REPAIR INSTRUCTION MANUAL.**

REF. NO.	PART NO.	DESCRIPTION	REF. NO.	PART NO.	DESCRIPTION	REF. NO.	PART NO.	DESCRIPTION
1	493260	Cylinder Assembly	50	497465	Intake Manifold	684	690345	Screw (Breather Passage Cover)
2	399269	Bushing/Seal Kit	51	★272199	Intake Gasket	842	★691031	Dipstick/Tube Seal
3	★299819	Oil Seal (Magneto Side)	54	691650	Screw (Intake Manifold)	847	692017	Dipstick/Tube Assembly
5	691160	Cylinder Head (Used After Code Date 98062100).	287	690948	Screw (Dipstick Tube)	869	691155	Valve Seat (Intake)
		<b>Note</b> _____	306	690450	Cylinder Shield	870	690380	Valve Seat (Exhaust)
		691717 Cylinder Head (Used Before Code Date 98062200).	307	690345	Screw (Cylinder Shield)	871	262001	Bushing Guide (Exhaust Valve)
7	★Ø692249	Cylinder Head Gasket	337	802592	Spark Plug			<b>Note</b> _____
8	495786	Breather Assembly	383	89838	Spark Plug Wrench			63709 Bushing Guide (Intake Valve)
9	★Ø272481	Breather Gasket	523	495264	Dipstick	1019	494256	Label Kit
10	691125	Screw (Breather Assembly)	524	★692296	Dipstick/Tube Seal	1058	272262	Owner's Manual
11	691781	Breather Tube	525	495265	Dipstick Tube			
13	94547	Screw (Cylinder Head)	584	692342	Breather Passage Cover			
			585	★691879	Breather Passage Gasket			
			635	66538	Spark Plug Boot			

★ Included in Engine Gasket Set—See Ref. No. 358.  
 ● Included in Carburetor Overhaul Kit—See Ref. 121.

◆ Included in Carburetor Gasket Set—See Ref. 977.  
 Ø Included in Valve Gasket Set—See Ref. No. 1095.

**12T700 to 12T799**

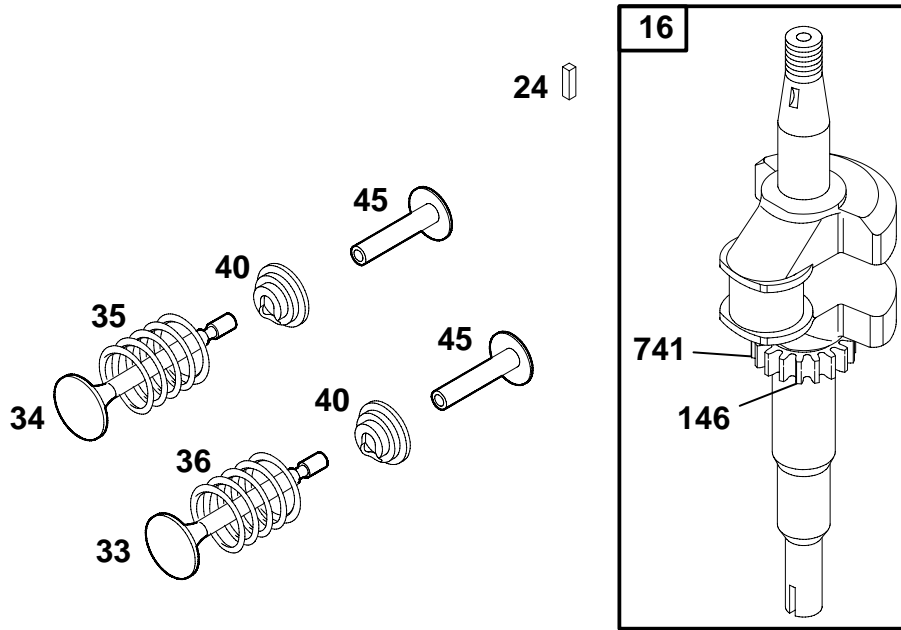


REF. NO.	PART NO.	DESCRIPTION	REF. NO.	PART NO.	DESCRIPTION	REF. NO.	PART NO.	DESCRIPTION						
<b>25</b>	<b>499429</b>	Piston Assembly (Standard) (Used After Code Date 97011200). ———— <b>Note</b> ——— <b>493262</b> Piston Assy. (Standard) (Used Before Code Date 97011300). ———— <b>499430</b> Piston Assy. (.010 O.S.) (Used After Code Date 97011200). <b>493385</b> Piston Assy. (.010 O.S.) (Used Before Code Date 97011300). ———— <b>499431</b> Piston Assy. (.020 O.S.) (Used After Code Date 97011200). <b>493386</b> Piston Assy. (.020 O.S.) (Used Before Code Date 97011300). ———— <b>499432</b> Piston Assy. (.030 O.S.) (Used After Code Date 97011200). <b>493387</b> Piston Assy. (.030 O.S.) (Used Before Code Date 97011300).	<b>26</b>	<b>499425</b>	Ring Set (Standard) (Used After Code Date 97011200). ———— <b>Note</b> ——— <b>493261</b> Ring Set (Standard) (Used Before Code Date 97011300). ———— <b>499426</b> Ring Set (.010 O.S.) (Used After Code Date 97011200). <b>493388</b> Ring Set (.010 O.S.) (Used Before Code Date 97011300). ———— <b>499427</b> Ring Set (.020 O.S.) (Used After Code Date 97011200). <b>493389</b> Ring Set (.020 O.S.) (Used Before Code Date 97011300). ———— <b>499428</b> Ring Set (.030 O.S.) (Used After Code Date 97011200). <b>493390</b> Ring Set (.030 O.S.) (Used Before Code Date 97011300).	<b>27</b>	<b>691866</b>	Piston Pin Lock (Used After Code Date 97011200). ———— <b>Note</b> ——— <b>691588</b> Piston Pin Lock (Used Before Code Date 97011300). <b>28</b>	<b>499423</b>	Piston Pin (Standard) (Used After Code Date 97011200). ———— <b>Note</b> ——— <b>298909</b> Piston Pin (Standard) (Used Before Code Date 97011300). <b>298908</b> Piston Pin (.005 O.S.) (Used Before Code Date 97011300). <b>29</b>	<b>499424</b>	Connecting Rod (Standard) (Used After Code Date 97011200). ———— <b>Note</b> ——— <b>490566</b> Connecting Rod (Standard) (Used Before Code Date 97011300). <b>490743</b> Connecting Rod (.020 Undersize) (Used Before Code Date 97011300). <b>32</b>	<b>691664</b>	Screw (Connecting Rod)

★ Included in Engine Gasket Set—See Ref. No. 358.  
● Included in Carburetor Overhaul Kit—See Ref. 121.

◆ Included in Carburetor Gasket Set—See Ref. 977.  
⊙ Included in Valve Gasket Set—See Ref. No. 1095.

# 12T700 to 12T799

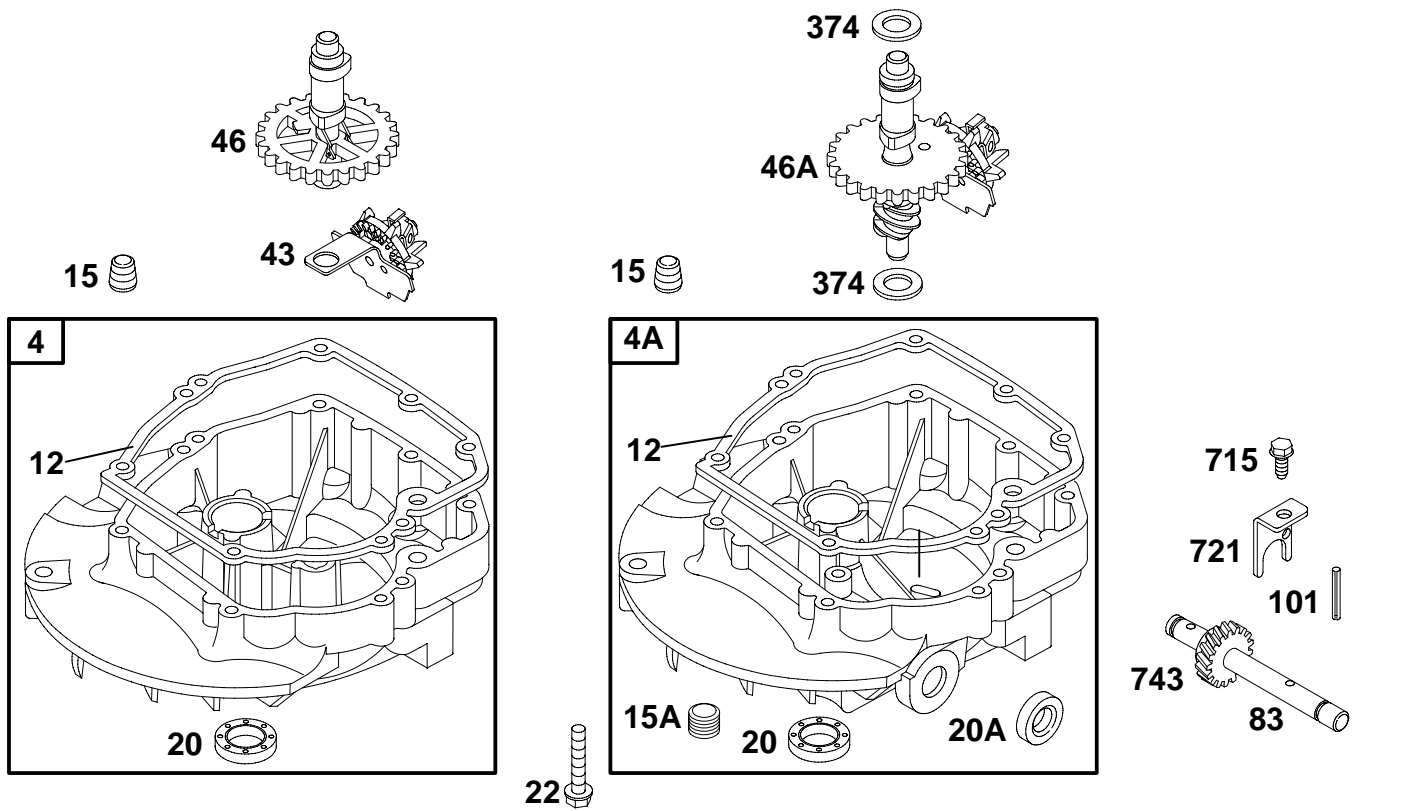


REF. NO.	PART NO.	DESCRIPTION	REF. NO.	PART NO.	DESCRIPTION	REF. NO.	PART NO.	DESCRIPTION
16	691450	Crankshaft (Used After Code Date 97011200). <b>Note</b> 493282 Crankshaft (Used Before Code Date 97011300). 691452 Crankshaft (Used After Code Date 97011200). Used on Type No(s). 0651. 694059 Crankshaft (Used Before Code Date 97011300). Used on Type No(s). 0651.		691451	Crankshaft (Used After Code Date 97011200). Used on Type No(s). 0671. 493362 Crankshaft (Used Before Code Date 97011300). Used on Type No(s). 0671. 691455 Crankshaft (Used After Code Date 97011200). Used on Type No(s). 0660. 691375 Crankshaft (Used Before Code Date 97011300). Used on Type No(s). 0660.		24	222698 Flywheel Key
							33	262651 Exhaust Valve
							34	262652 Intake Valve
							35	691270 Valve Spring (Intake)
							36	691270 Valve Spring (Exhaust)
							40	690548 Valve Retainer
							45	690548 Valve Tappet
							146	94388 Timing Key
							741	691830 Timing Gear

★ Included in Engine Gasket Set—See Ref. No. 358.  
● Included in Carburetor Overhaul Kit—See Ref. 121.

◆ Included in Carburetor Gasket Set—See Ref. 977.  
⊙ Included in Valve Gasket Set—See Ref. No. 1095.

12T700 to 12T799

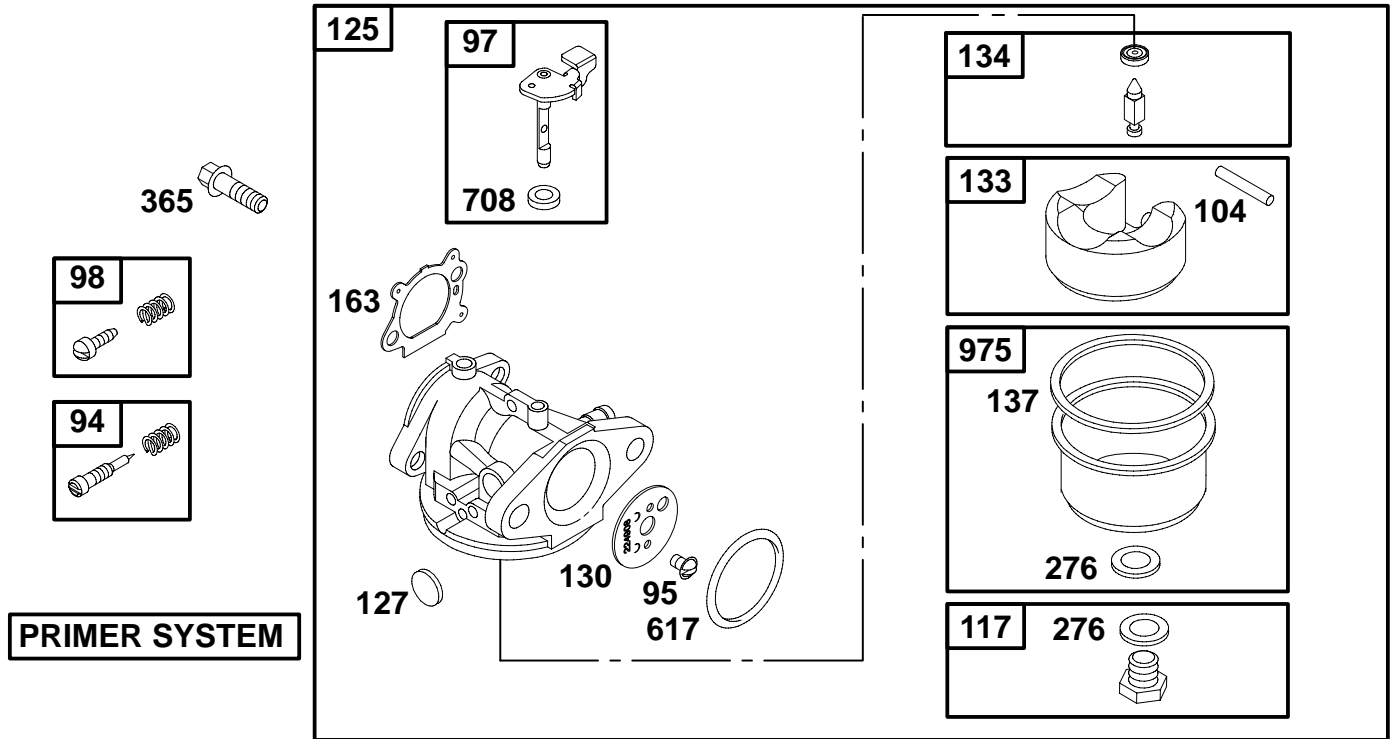


REF. NO.	PART NO.	DESCRIPTION	REF. NO.	PART NO.	DESCRIPTION	REF. NO.	PART NO.	DESCRIPTION
4	493279	Engine Sump	46A	691460	Camshaft (Clockwise)	83	691778	Auxiliary Drive Shaft
4A	493365	Engine Sump			Used on Type No(s). 0672.	101	691623	Shaft Pin
12	★692232	Crankcase Gasket			(Used After Code Date 96060200).	374	691074	Washer (Camshaft)
15	691680	Oil Drain Plug			————— <b>Note</b> —————	715	690664	Screw (Shaft Stop)
15A	691093	Oil Drain Plug			<b>493740</b> Camshaft (Clockwise)	721	690449	Shaft Stop
20	★399781	Oil Seal (PTO Side)			(Used Before Code Date 96060300).	743	690516	Drive Gear (Clockwise)
20A	691952	Oil Seal (PTO Side)			Used on Type No(s). 0673, 0675.			Used on Type No(s). 0672.
22	691092	Screw (Engine Sump)			(Used After Code Date 96060200).			————— <b>Note</b> —————
43	691997	Governor/Oil Slinger			<b>691459</b> Camshaft (Counterclockwise)			<b>691772</b> Drive Gear (Counterclockwise)
46	691449	Camshaft Used on Type No(s). 0651, 0660, 0671. (Used After Code Date 96060200).			Used on Type No(s). 0673, 0675. (Used Before Code Date 96060300).			Used on Type No(s). 0673, 0675.
		————— <b>Note</b> —————			<b>492830</b> Camshaft (Used Before Code Date 96060300).			
					Used on Type No(s). 0651, 0660, 0671.			
					<b>492828</b> Camshaft Used on Type No(s). 0674.			

★ Included in Engine Gasket Set—See Ref. No. 358.  
● Included in Carburetor Overhaul Kit—See Ref. 121.

◆ Included in Carburetor Gasket Set—See Ref. 977.  
◊ Included in Valve Gasket Set—See Ref. No. 1095.

# 12T700 to 12T799

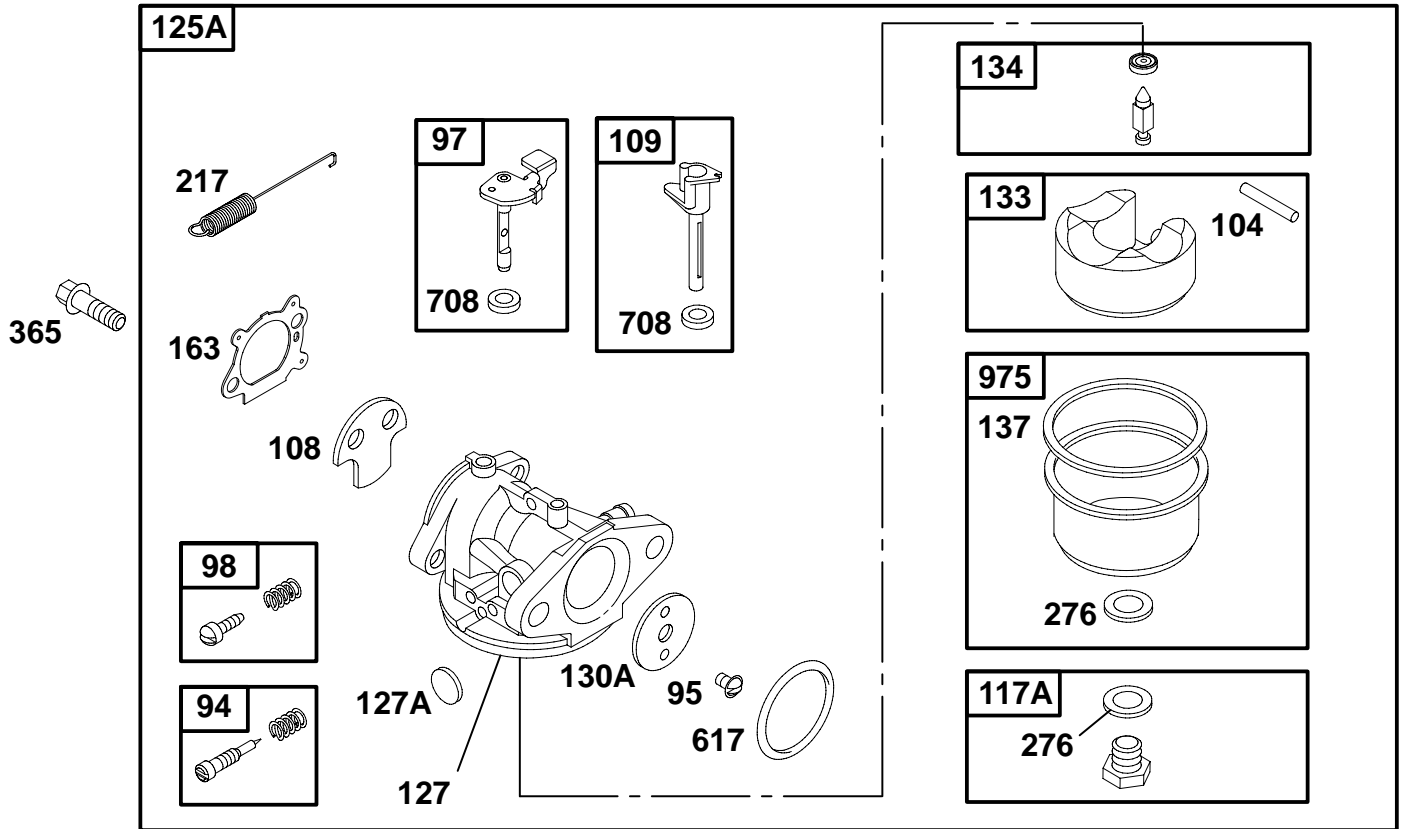


REF. NO.	PART NO.	DESCRIPTION	REF. NO.	PART NO.	DESCRIPTION	REF. NO.	PART NO.	DESCRIPTION
94	493765	Idle Mixture Kit	125	498170	Carburetor (Primer System) (Used After Code Date 96060200).	127	◆694468	Welch Plug
95	691636	Screw (Throttle Valve)				130	◆691203	Throttle Valve
97	493267	Throttle Shaft				133	◆398187	Carburetor Float
98	398185	Idle Speed Kit				134	◆398188	Needle/Seat Kit
104	◆691242	Float Hinge Pin				137	◆◆280492	Float Bowl Gasket (Sold in Kit Only)
117	494870	Main Jet (Standard) (Used After Code Date 96060200).				163	◆◆272653	Air Cleaner Gasket
		<b>Note</b>				276	◆◆271716	Washer
		497466 Main Jet (Standard) (Used After Code Date 95102900 and Before Code Date 96060300).				365	692524	Screw (Carburetor)
		497315 Main Jet (High Altitude) (Used After Code Date 96060200).				617	◆◆270344	O-Ring Seal (Intake Manifold)
		496495 Main Jet (High Altitude) (Used After Code Date 95102900 and Before Code Date 96060300).				708	◆◆691321	Dust Seal (Throttle Shaft)
		497348 Main Jet (High Altitude) (Used Before Code Date 95103000).				975	493640	Float Bowl

★ Included in Engine Gasket Set—See Ref. No. 358.  
 ◆ Included in Carburetor Overhaul Kit—See Ref. 121.

◆ Included in Carburetor Gasket Set—See Ref. 977.  
 ⬥ Included in Valve Gasket Set—See Ref. No. 1095.

**12T700 to 12T799**



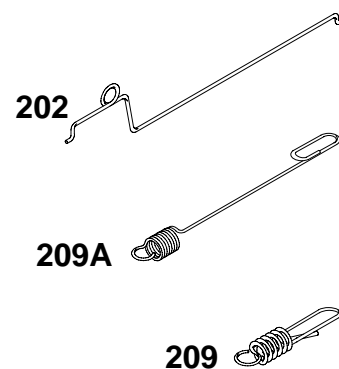
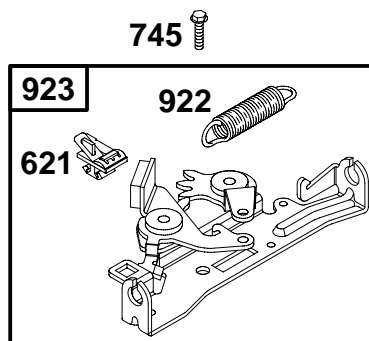
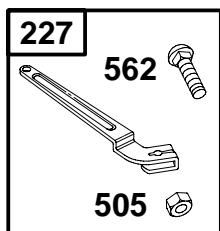
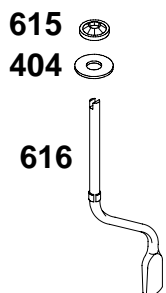
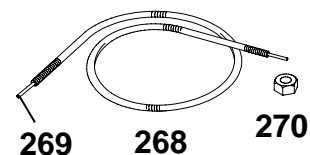
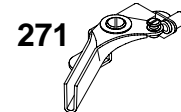
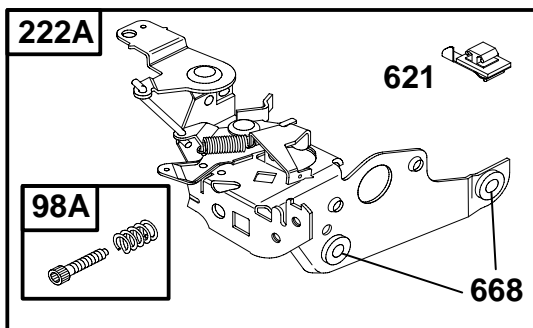
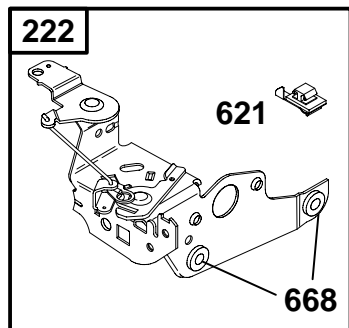
**CHOKE SYSTEM**

REF. NO.	PART NO.	DESCRIPTION	REF. NO.	PART NO.	DESCRIPTION	REF. NO.	PART NO.	DESCRIPTION		
94	493765	Idle Mixture Kit			496063			127	694468	Welch Plug (Bowl Vent)
95	691636	Screw (Throttle Shaft)			496063			127A	691739	Welch Plug
97	493267	Throttle Shaft			496063			130A	691181	Throttle Valve
98	398185	Idle Speed Kit			496063			133	398187	Carburetor Float
104	691242	Float Hinge Pin			496063			134	398188	Needle/Seat Kit
108	691182	Choke Valve			496063			137	280492	Float Bowl Gasket
109	494218	Choke Shaft			496063			163	272653	Air Cleaner Gasket
117A	498977	Main Jet (Standard) (Used After Code Date 96060200).	125A	498965	Carburetor (Choke System) (Used After Code Date 96060200).			217	690354	Choke Retainer Spring
		<b>Note</b>			<b>Note</b>			276	271716	Sealing Washer
		493637 Main Jet (Standard) (Used Before Code Date 96060300).			494217			365	692524	Screw (Carburetor)
		493637 Main Jet (Standard) Used on Type No(s). 0674.			494216			617	270344	O-Ring Seal (Intake Manifold)
		498981 Main Jet (High Altitude) (Used After Code Date 96060200).			494216			708	691321	Dust Seal
					494216			975	493640	Float Bowl

★ Included in Engine Gasket Set—See Ref. No. 358.  
 ● Included in Carburetor Overhaul Kit—See Ref. 121.

◆ Included in Carburetor Gasket Set—See Ref. 977.  
 ⬢ Included in Valve Gasket Set—See Ref. No. 1095.

# 12T700 to 12T799



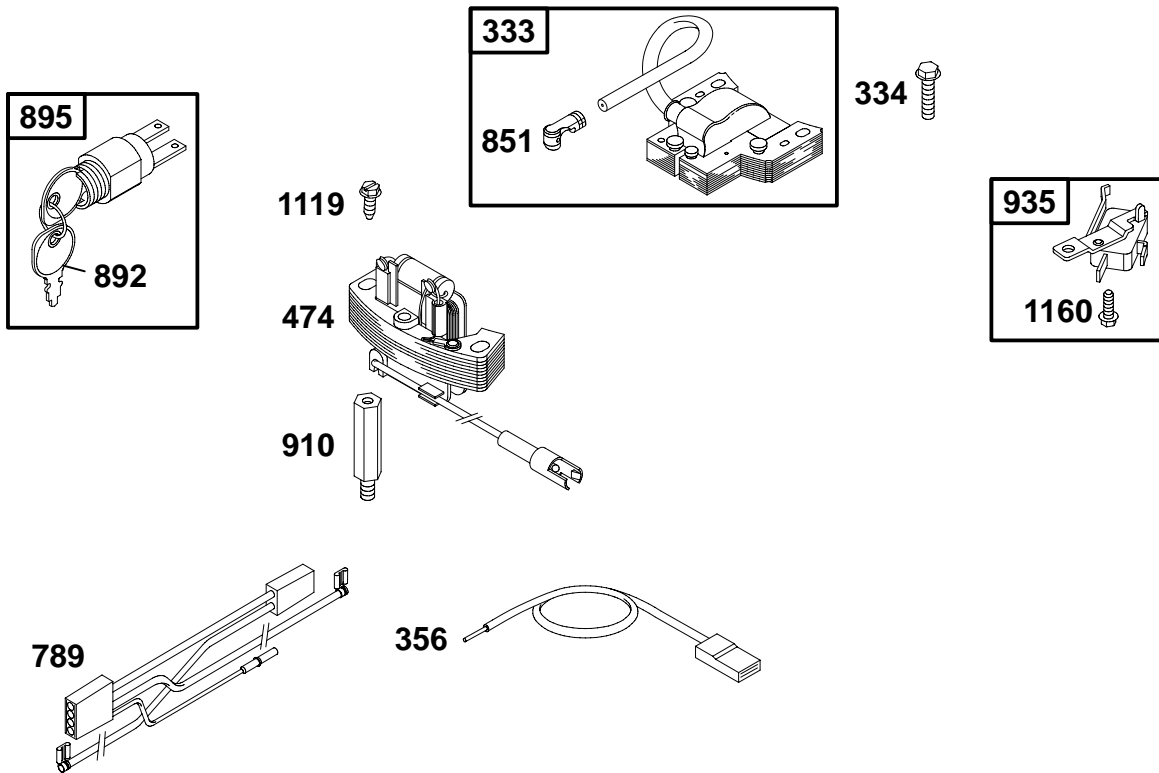
REF. NO.	PART NO.	DESCRIPTION	REF. NO.	PART NO.	DESCRIPTION	REF. NO.	PART NO.	DESCRIPTION
98A	493280	Idle Speed Kit	222	692031	Control Bracket <b>(Used with Primer Type Carburetor)</b>	505	231082	Nut (Governor Control Lever)
188	690877	Screw (Control Bracket)	222A	692021	Control Bracket <b>(Used with Choke Type Carburetor)</b>	562	691119	Bolt (Governor Control Lever)
202	691829	Mechanical Governor Link	227	690783	Governor Control Lever	615	690340	Governor Shaft Retainer
209	690569	Governor Spring	268	691072	Control Wire Casing (Cut to Length)	616	691306	Governor Crank
		<b>Note</b>	269	691589	Control Wire (Cut to Length)	621	692310	Stop Switch
		690567 Governor Spring Used on Type No(s). 0660.	270	691027	Nut (Control Wire Casing)	668	★493823	Spacer (Includes 2)
209A	691851	Governor Spring Used on Type No(s). 0651.	271	691028	Control Lever	745	691648	Screw (Brake)
			404	690272	Washer (Governor Crank)	922	691831	Brake Spring
						923	691994	Brake

★ Included in Engine Gasket Set—See Ref. No. 358.  
● Included in Carburetor Overhaul Kit—See Ref. 121.

◆ Included in Carburetor Gasket Set—See Ref. 977.  
⊙ Included in Valve Gasket Set—See Ref. No. 1095.



**12T700 to 12T799**

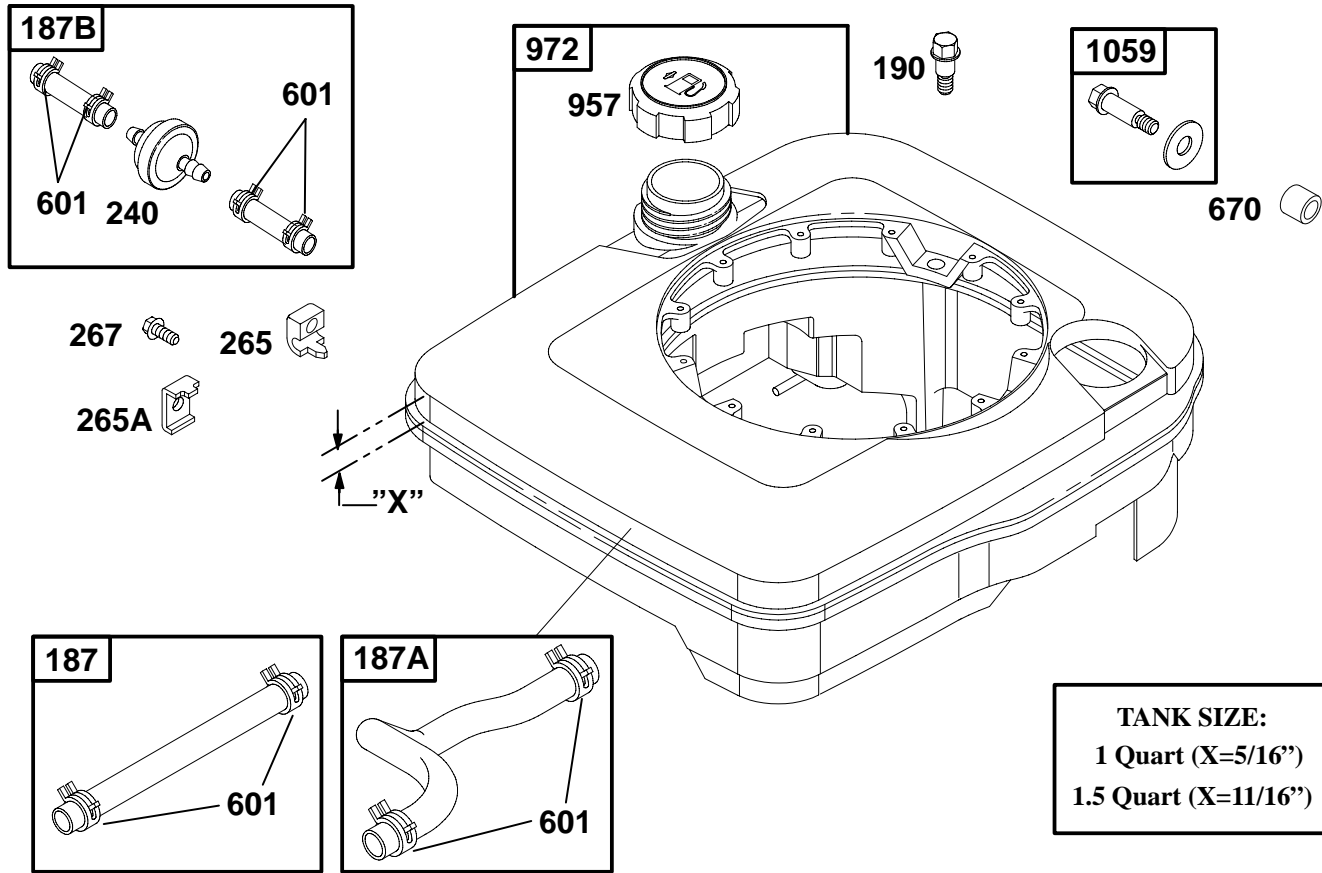


REF. NO.	PART NO.	DESCRIPTION	REF. NO.	PART NO.	DESCRIPTION	REF. NO.	PART NO.	DESCRIPTION
333	802574	Magneto Armature	851	493880	Spark Plug Terminal	935	398758	Interlock Switch
334	691061	Screw (Magneto Armature)	892	691959	Key Set	1119	691648	Screw (Alternator)
356	692390	Stop Wire	895	690646	Switch Key	1160	691627	Screw (Interlock Switch)
474	691991	Alternator	910	691094	Stud (Alternator)			
789	691372	Wiring Harness						

★ Included in Engine Gasket Set—See Ref. No. 358.  
 ● Included in Carburetor Overhaul Kit—See Ref. 121.

◆ Included in Carburetor Gasket Set—See Ref. 977.  
 ∅ Included in Valve Gasket Set—See Ref. No. 1095.

# 12T700 to 12T799

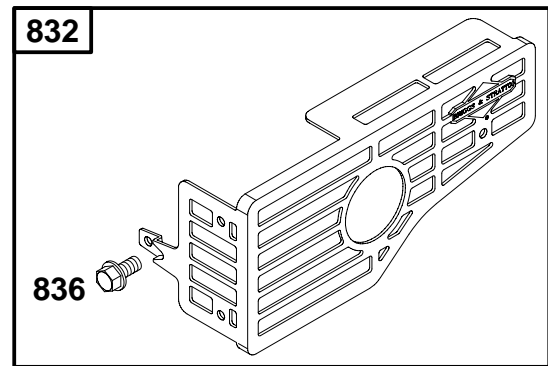
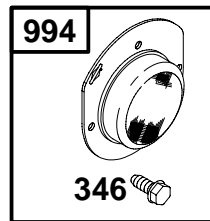
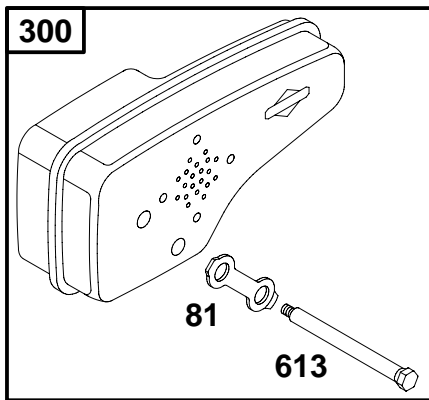
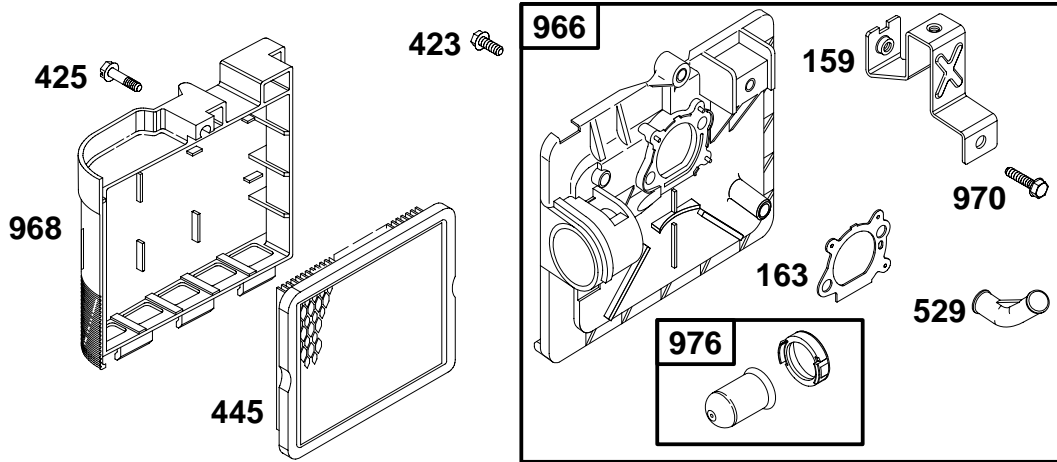


REF. NO.	PART NO.	DESCRIPTION	REF. NO.	PART NO.	DESCRIPTION	REF. NO.	PART NO.	DESCRIPTION
187	691050	Fuel Line (Cut to Length)	265	690798	Casing Clamp	972	497343	Fuel Tank (Black, 1 Quart)
187A	691371	Fuel Line (Molded)	265A	691024	Casing Clamp			<b>Note</b>
187B	692042	Fuel Line	267	691044	Screw (Casing Clamp)			497226 Fuel Tank (Black, 1 1/2 Quart)
190	690940	Screw (Fuel Tank)	601	95162	Hose Clamp			Used on Type No(s). 0651, 0660, 0671.
240	298090	Fuel Filter	670	692294	Fuel Tank Spacer (Plastic)	1059	692311	Screw/Washer Kit
			957	397974	Fuel Tank Cap (Plastic)			

★ Included in Engine Gasket Set—See Ref. No. 358.  
 ● Included in Carburetor Overhaul Kit—See Ref. 121.

◆ Included in Carburetor Gasket Set—See Ref. 977.  
 ∅ Included in Valve Gasket Set—See Ref. No. 1095.

**12T700 to 12T799**



REF. NO.	PART NO.	DESCRIPTION	REF. NO.	PART NO.	DESCRIPTION	REF. NO.	PART NO.	DESCRIPTION
81	691740	Muffler Screw Lock	445	491588	Air Cleaner Cartridge Filter	970	691669	Screw (Air Cleaner Primer Bracket)
159	691753	Air Cleaner Primer Bracket	529	691923	Grommet	976	694395	Carburetor Primer (Used After Code Date 99103100).
163★◆	272653	Air Cleaner Gasket	613	691340	Screw (Exhaust Muffler)	<p align="center"><b>Note</b></p> <p>496115 Carburetor Primer (Used Before Code Date 99110100).</p>		
300	496106	Exhaust Muffler	832	499034	Muffler Guard			
346	690661	Screw (Spark Arrester)	836	690664	Screw (Muffler Guard)	994	398067	Spark Arrester
423	692523	Screw (Air Cleaner Primer Base)	966	496116	Air Cleaner Primer Base			
425	690670	Screw (Air Cleaner Cover)	968	692298	Air Cleaner Cover			

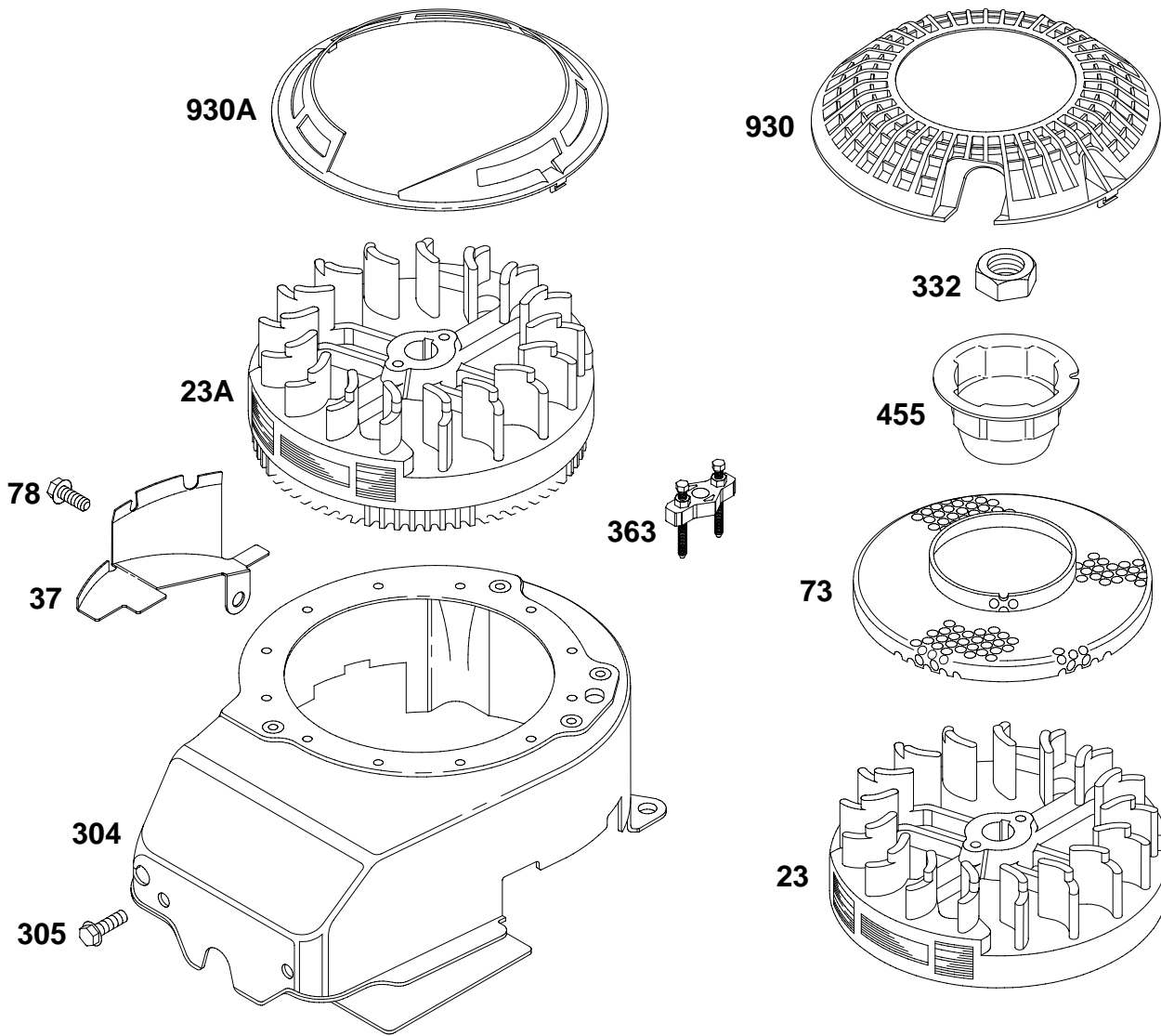
★ Included in Engine Gasket Set—See Ref. No. 358.

● Included in Carburetor Overhaul Kit—See Ref. 121.

◆ Included in Carburetor Gasket Set—See Ref. 977.

⊘ Included in Valve Gasket Set—See Ref. No. 1095.

# 12T700 to 12T799

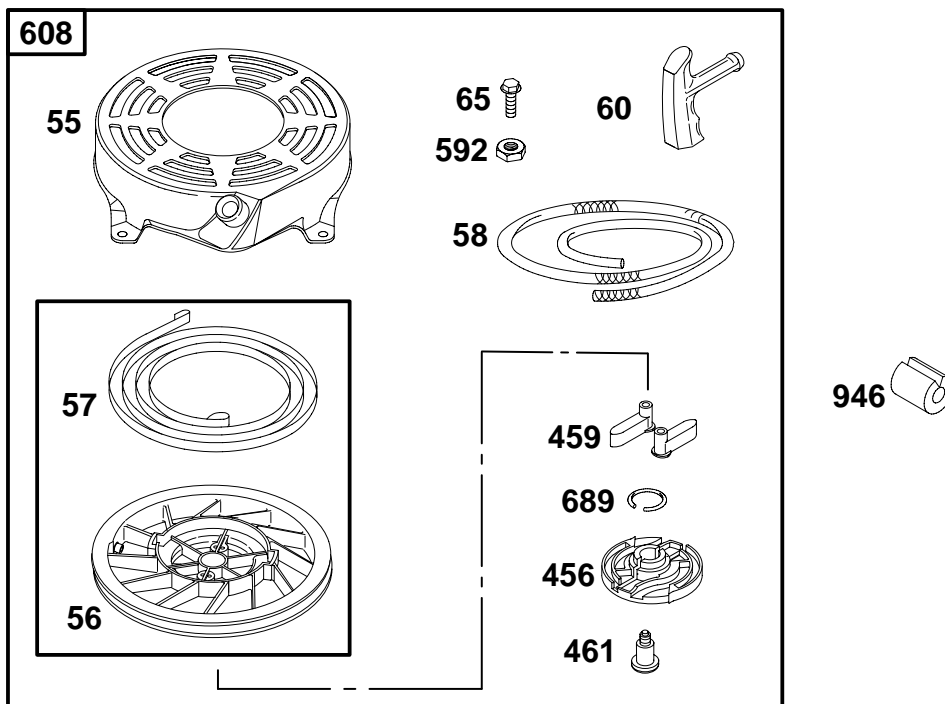


REF. NO.	PART NO.	DESCRIPTION	REF. NO.	PART NO.	DESCRIPTION	REF. NO.	PART NO.	DESCRIPTION
23	692315	Flywheel <b>Note</b> 691992 Flywheel Used on Type No(s). 0660.	78	692198	Screw (Flywheel Guard)	305	691108	Screw (Blower Housing)
23A	691987	Flywheel	304	493293	Blower Housing <b>Note</b> 493294 Blower Housing	332	690662	Nut (Flywheel)
37	224511	Flywheel Guard			Used on Type No(s). 0651, 0660.	363	19069	Flywheel Puller
73	691221	Rotating Screen Used on Type No(s). 0672, 0674, 0675.				455	691219	Flywheel Cup
						930	691919	Rewind Guard
						930A	690598	Rewind Guard

★ Included in Engine Gasket Set—See Ref. No. 358.  
● Included in Carburetor Overhaul Kit—See Ref. 121.

◆ Included in Carburetor Gasket Set—See Ref. 977.  
⊙ Included in Valve Gasket Set—See Ref. No. 1095.

**12T700 to 12T799**

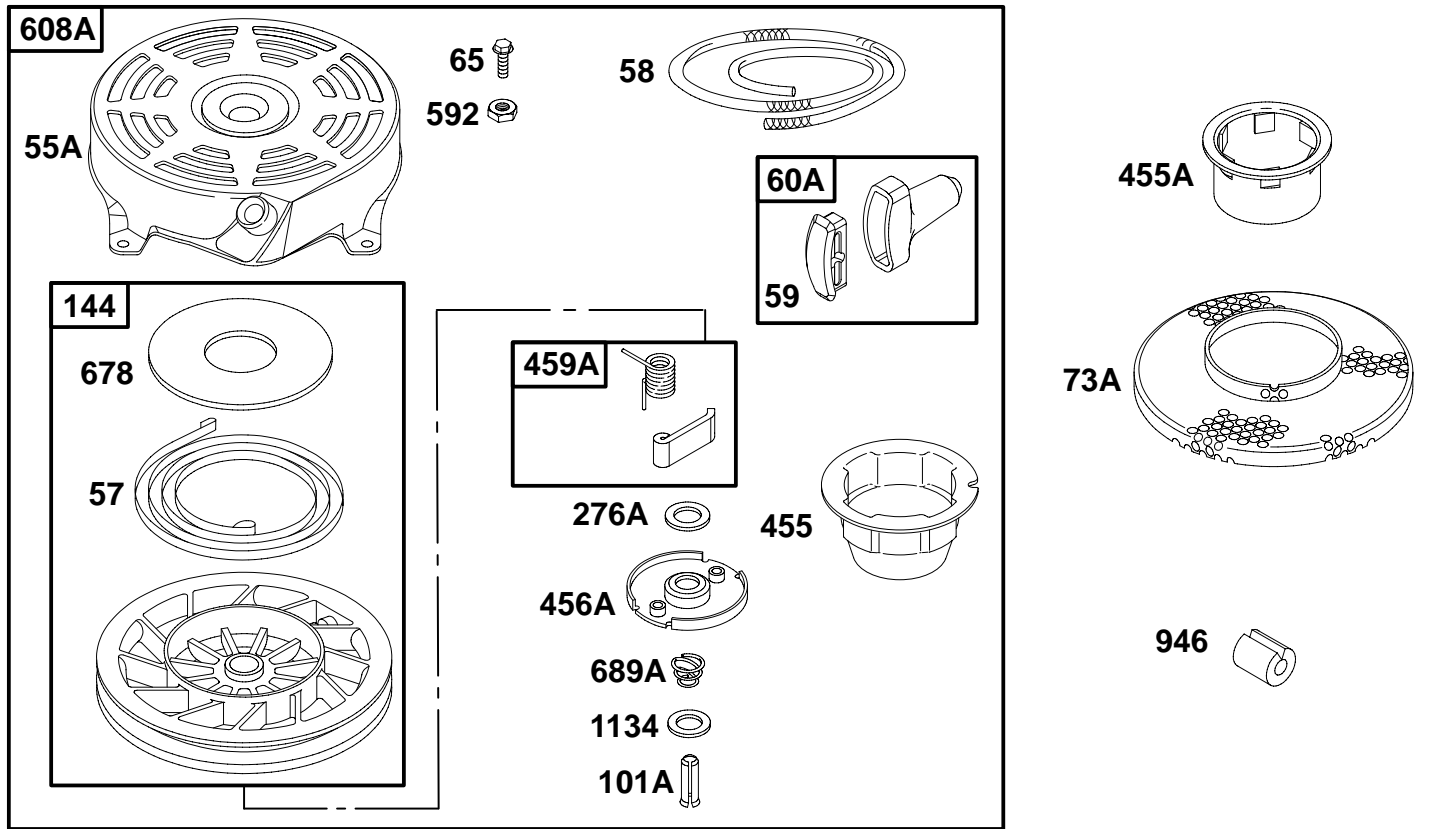


REF. NO.	PART NO.	DESCRIPTION	REF. NO.	PART NO.	DESCRIPTION	REF. NO.	PART NO.	DESCRIPTION
55	691421	Rewind Starter Housing	58	280399	Starter Rope (Cut to Length)	461	691696	Screw (Pawl Friction Plate)
56	498144	Pulley/Spring Assembly	60	281434	Starter Rope Grip	592	690800	Nut (Rewind Starter)
57	498144	Pulley/Spring Assembly	65	690759	Screw (Rewind Starter)	608	497680	Rewind Starter
			456	692299	Pawl Friction Plate	689	691855	Friction Spring
			459	281505	Ratchet Pawl	946	691738	Rope Stop

★ Included in Engine Gasket Set—See Ref. No. 358.  
 ● Included in Carburetor Overhaul Kit—See Ref. 121.

◆ Included in Carburetor Gasket Set—See Ref. 977.  
 ∅ Included in Valve Gasket Set—See Ref. No. 1095.

# 12T700 to 12T799

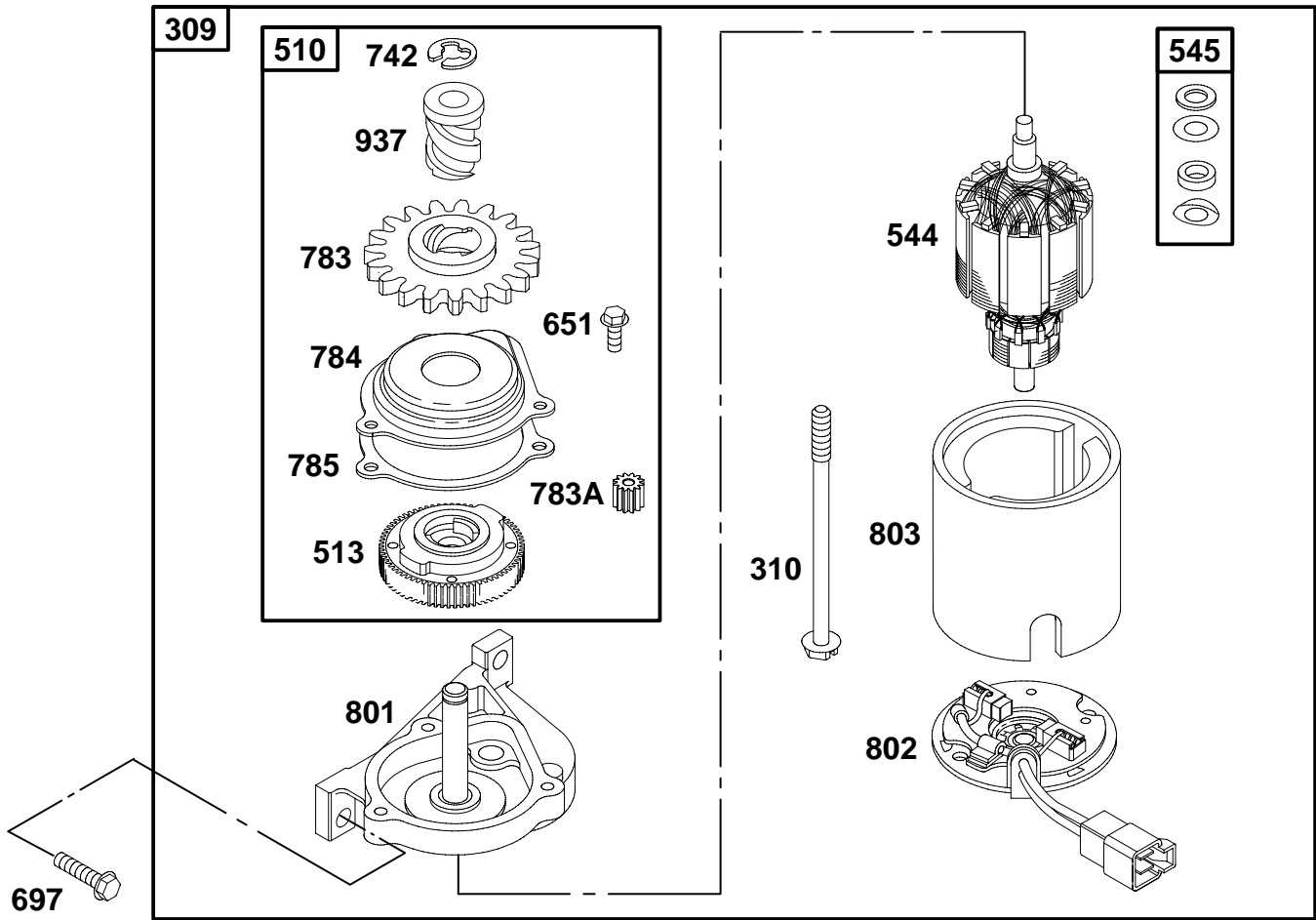


REF. NO.	PART NO.	DESCRIPTION	REF. NO.	PART NO.	DESCRIPTION	REF. NO.	PART NO.	DESCRIPTION
55A	492831	Rewind Starter Housing	73A	224251	Rotating Screen Used on Type No(s). 0672, 0674, 0675.	592	690800	Nut Pawl (Rewind Starter)
57	491889	Rewind Starter Spring	101A	262626	Shaft Pin	608A	497598	Rewind Starter
58	280399	Starter Rope (Cut to Length)	144	493824	Pulley/Spring Assembly	678	224278	Rewind Spacer
59	396892	Grip Insert	276A	280973	Sealing Washer	689A	262625	Friction Spring
60A	393152	Starter Rope Grip	455	691219	Flywheel Cup	946	691738	Rope Stop
65	690759	Screw (Rewind Starter)	456A	224321	Pawl Friction Plate	1134	224322	Washer (Pawl Friction Plate)
			459A	492833	Ratchet			

★ Included in Engine Gasket Set—See Ref. No. 358.  
● Included in Carburetor Overhaul Kit—See Ref. 121.

◆ Included in Carburetor Gasket Set—See Ref. 977.  
⊘ Included in Valve Gasket Set—See Ref. No. 1095.

**12T700 to 12T799**



REF. NO.	PART NO.	DESCRIPTION	REF. NO.	PART NO.	DESCRIPTION	REF. NO.	PART NO.	DESCRIPTION
309	691376	Starter Motor	651	690345	Screw (Starter Gear Cover)	784	692341	Gear Cover
310	692327	Bolt (Starter Motor)	697	691127	Screw (Drive Cap)	785	692352	Starter Cover Gasket
510	494147	Starter Drive	742	93941	E-Ring Retainer	801	690782	Drive Cap
513	692358	Drive Clutch	783	691918	Pinion Gear	802	690787	End Cap
544	690786	Starter	783A	691269	Pinion Gear	803	690785	Starter Housing
545	492919	Shim Set				937	691325	Starter Spline

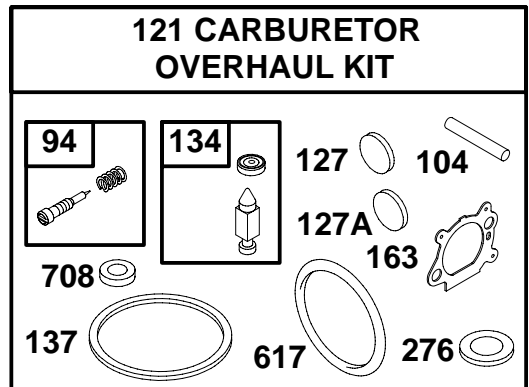
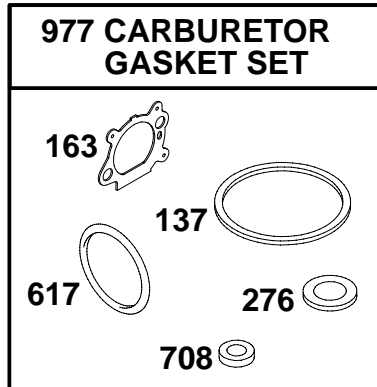
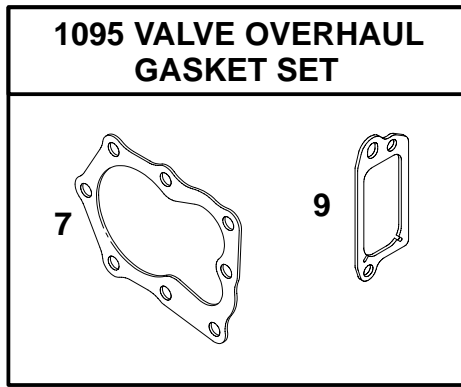
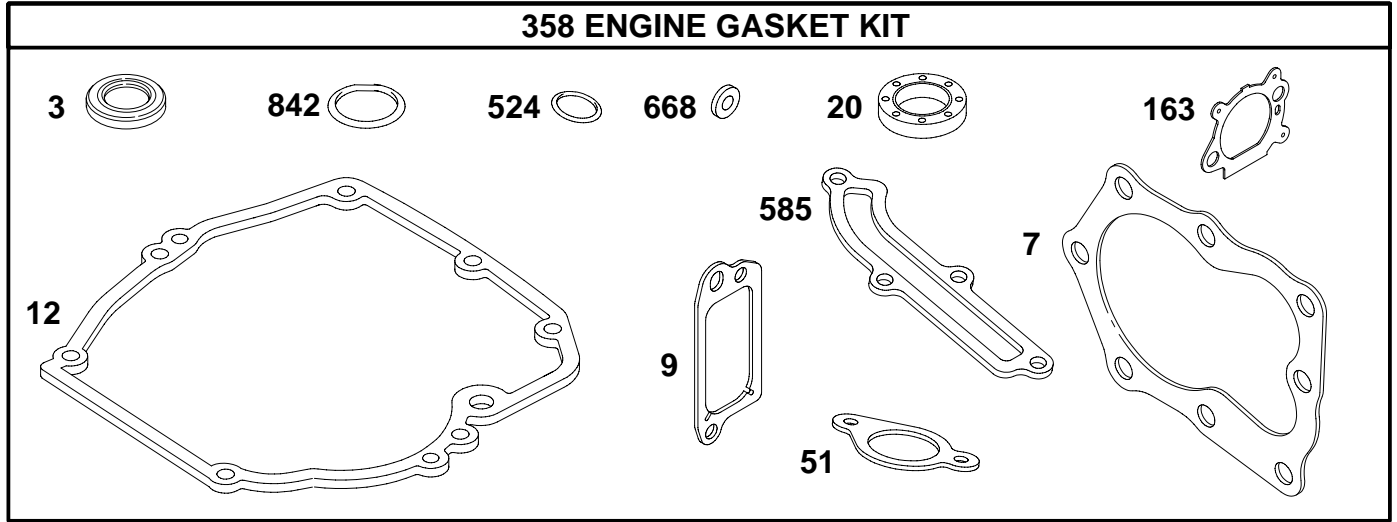
★ Included in Engine Gasket Set—See Ref. No. 358.

● Included in Carburetor Overhaul Kit—See Ref. 121.

◆ Included in Carburetor Gasket Set—See Ref. 977.

⊘ Included in Valve Gasket Set—See Ref. No. 1095.

# 12T700 to 12T799



REF. NO.	PART NO.	DESCRIPTION	REF. NO.	PART NO.	DESCRIPTION	REF. NO.	PART NO.	DESCRIPTION
3	★299819	Oil Seal (Magneto Side)	127	●694468	Welch Plug	617	●◆270344	O-Ring Seal (Intake Manifold)
7	★∅692249	Cylinder Head Gasket	127A	●691739	Welch Plug	668	★493823	Spacer (Includes 2)
9	★∅272481	Breather Gasket	134	●398188	Needle/Seat Kit	708	●◆691321	Dust Seal
12	★692232	Crankcase Gasket	137	●◆280492	Float Bowl Gasket	842	★691031	Dipstick/Tube Seal
20	★399781	Oil Seal (PTO Side)	163★	●◆272653	Air Cleaner Gasket	977	498261	Carburetor Gasket Set
51	★272199	Intake Gasket	276	●◆271716	Sealing Washer	1095	498528	Valve Overhaul Gasket Set
94	●493765	Idle Mixture Kit	358	497316	Engine Gasket Set			
104	●691242	Float Hinge Pin	524	★280966	Dipstick/Tube Seal			
121	498260	Carburetor Overhaul Kit	585	★272238	Breather Passage Gasket			

★ Included in Engine Gasket Set—See Ref. No. 358.  
● Included in Carburetor Overhaul Kit—See Ref. 121.

◆ Included in Carburetor Gasket Set—See Ref. 977.  
∅ Included in Valve Gasket Set—See Ref. No. 1095.