



12J700

Illustrated Parts List

Model Series

12J700

TYPE NUMBERS
0615 through 1761.

TABLE OF CONTENTS

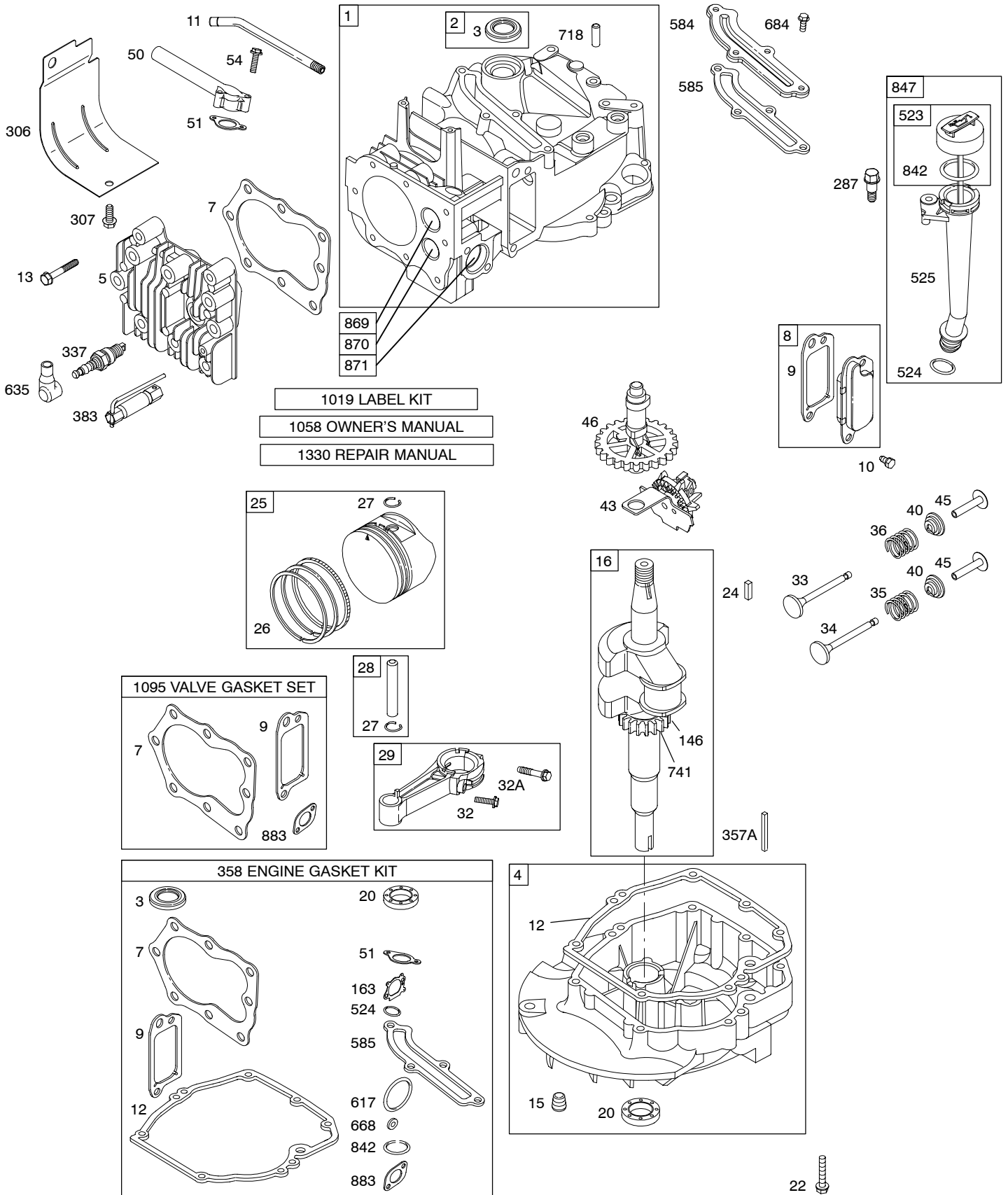
Alternator	7
Air Cleaner	4
Blower Housing/Shrouds	6
Camshaft	2
Carburetor	3
Controls	5
Crankshaft	2
Cylinder	2
Electric Starter	7
Electrical	7
Engine Sump	2
Exhaust System	4
Flywheel	6
Flywheel Brake	7
Fuel Supply	5
Governor Spring	5
Ignition	7
Kits/Gaskets	2 & 3
Lubrication	2
Piston Group	2
Rewind Starter	6
Valves	2



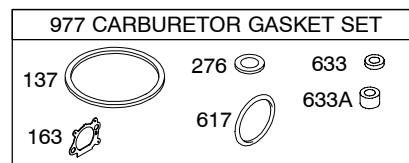
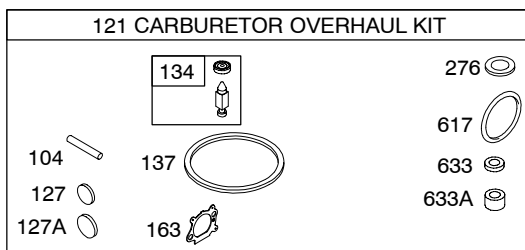
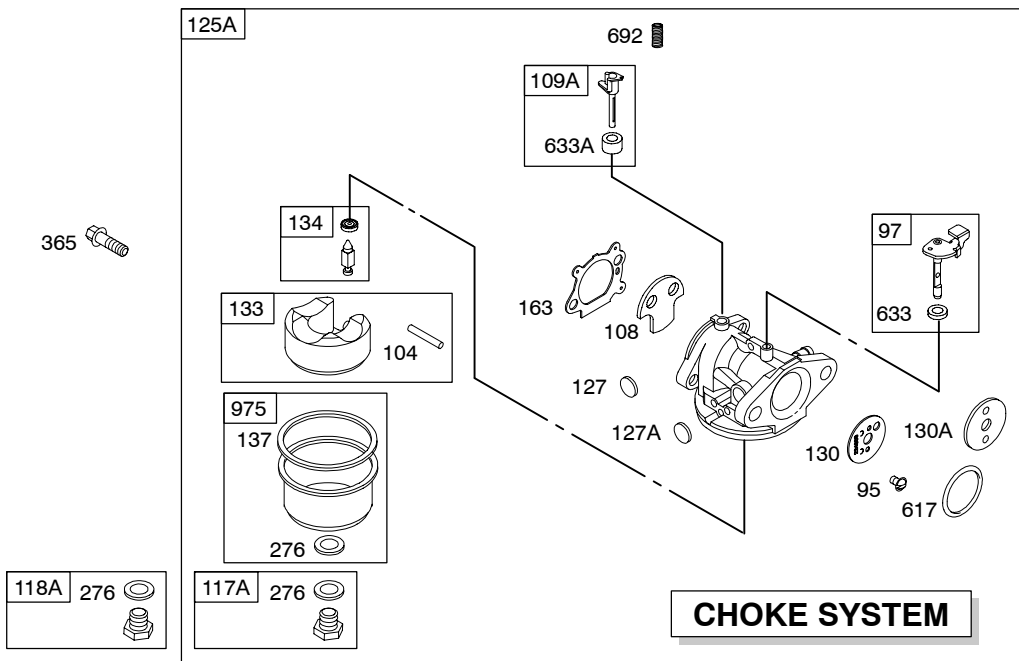
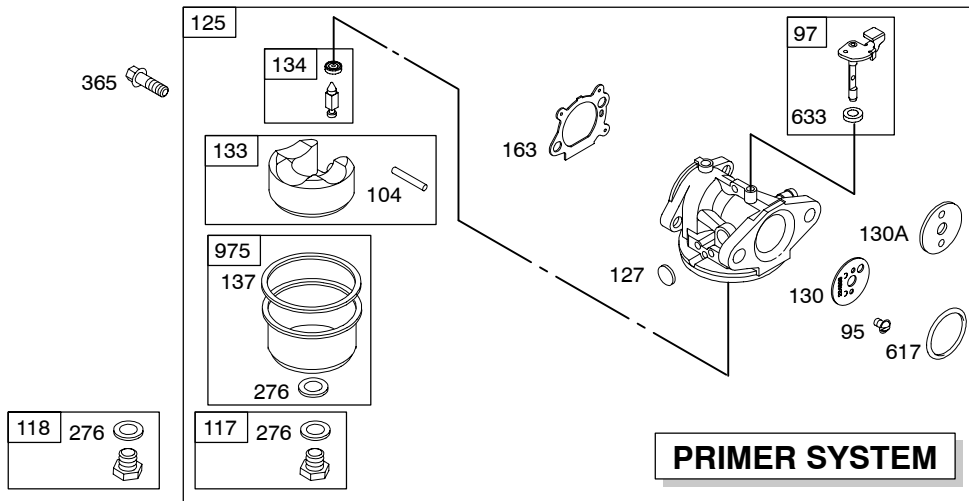
PRINTED IN U.S.A.

COPYRIGHT by BRIGGS & STRATTON CORPORATION
All rights reserved. No part of this material may be reproduced or transmitted, in any form or by any means, electronic or mechanical, including photocopying, recording or by any information storage and retrieval system, without permission in writing from Briggs & Stratton Corporation.

12J700

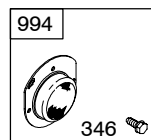
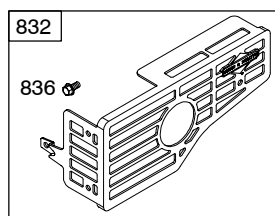
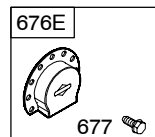
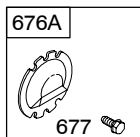
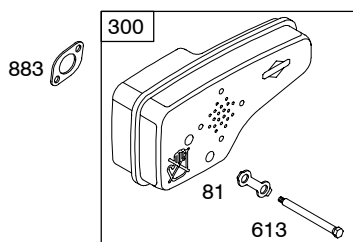
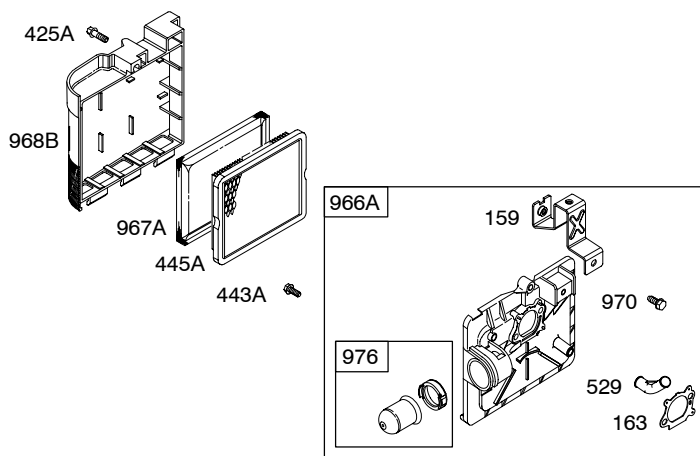


Illustrations cover a range of engines. Parts shown without corresponding text may not be used on your specific engine.
 1115-2 Assemblies include all parts shown in frames. 09/29/2005

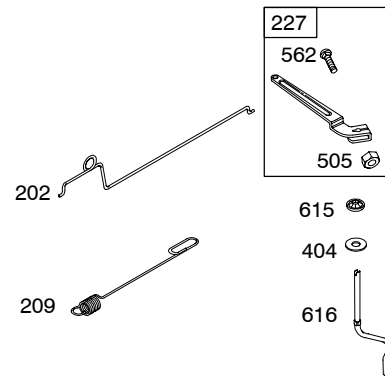
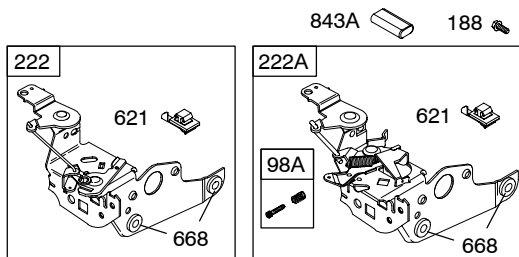
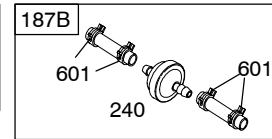
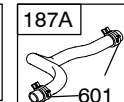
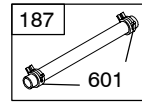
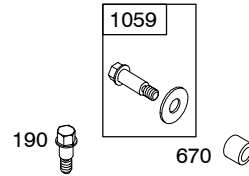
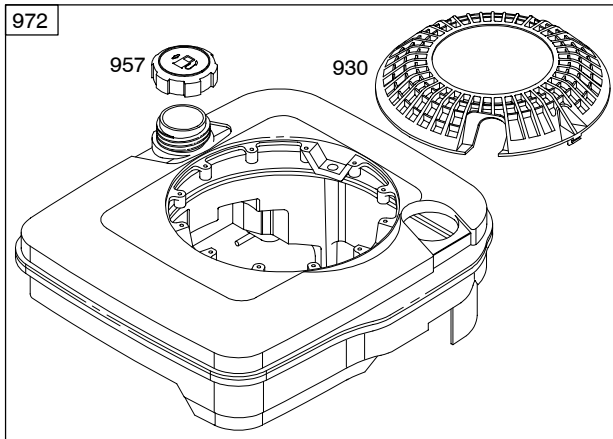


1115-3 *Illustrations cover a range of engines. Parts shown without corresponding text may not be used on your specific engine.* Assemblies include all parts shown in frames. 09/29/2005

12J700

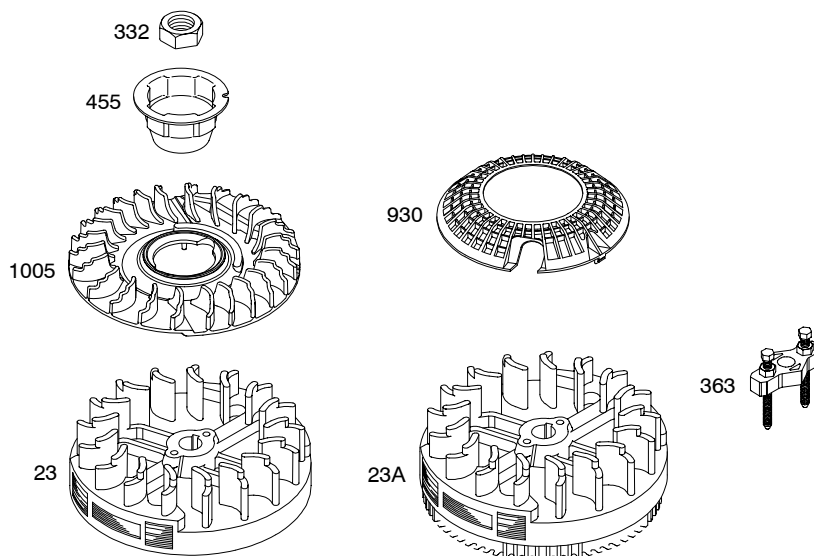
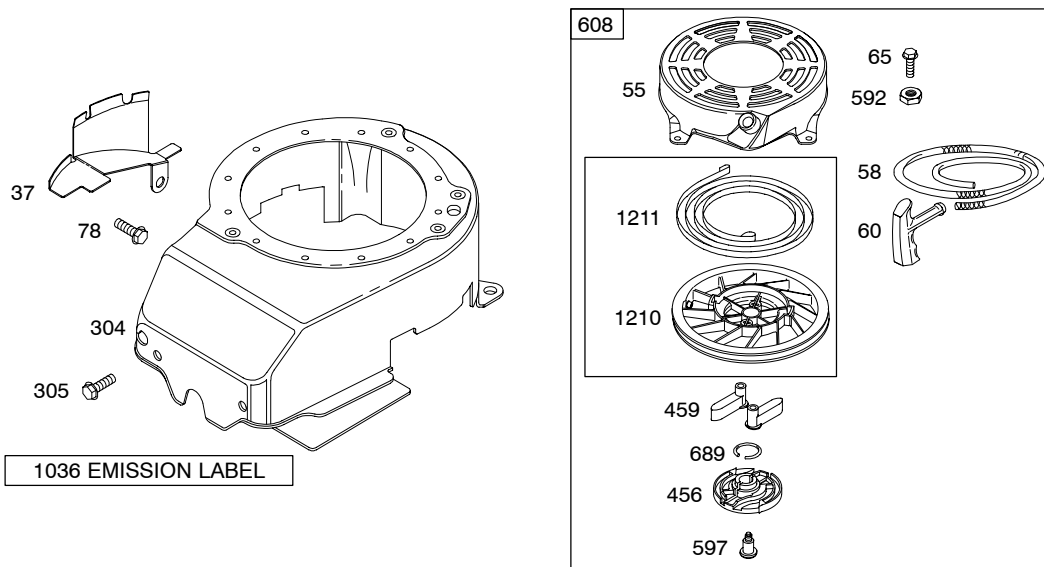


Illustrations cover a range of engines. Parts shown without corresponding text may not be used on your specific engine.

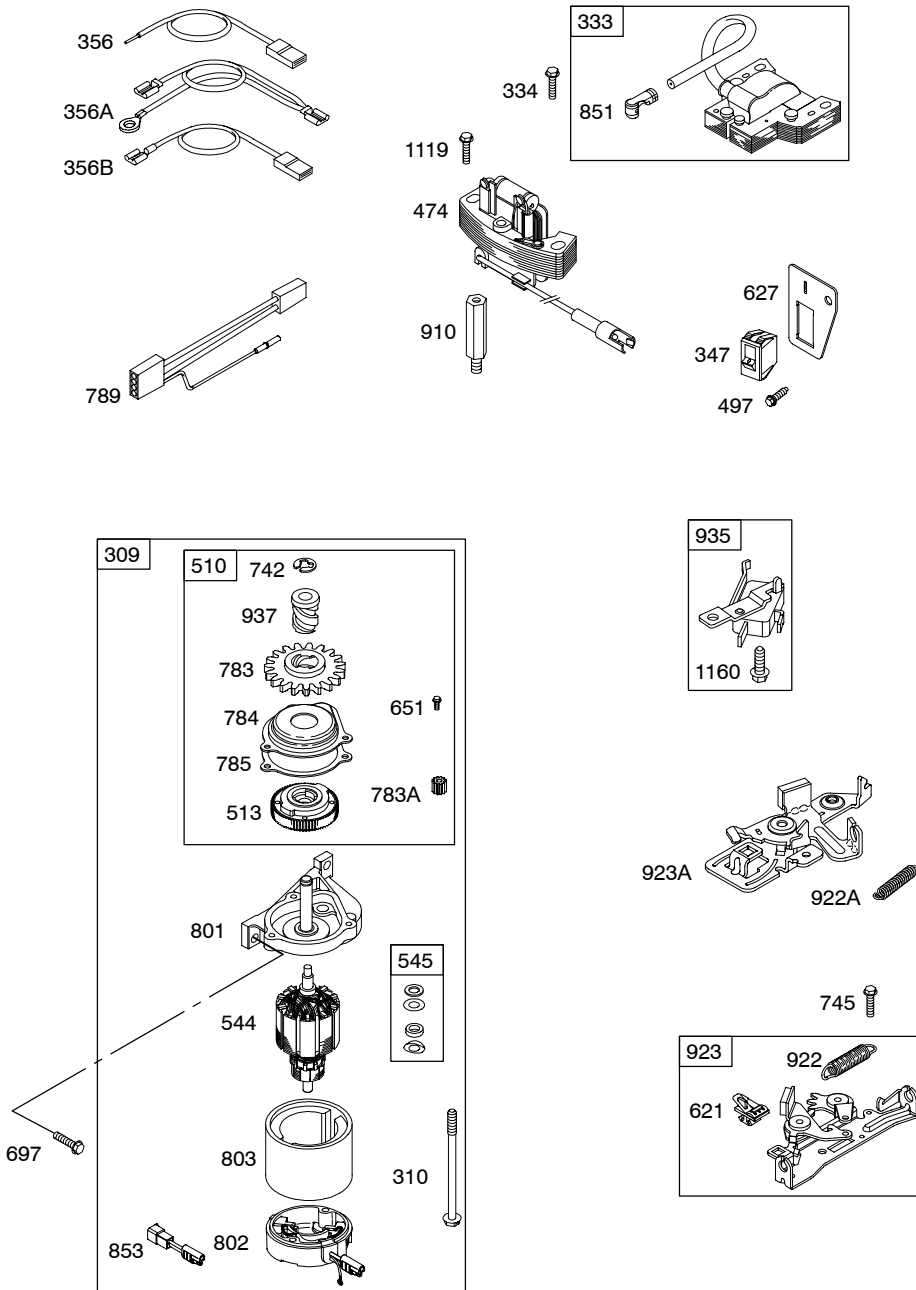


1115-5 *Illustrations cover a range of engines. Parts shown without corresponding text may not be used on your specific engine.* Assemblies include all parts shown in frames. 09/29/2005

12J700



Illustrations cover a range of engines. Parts shown without corresponding text may not be used on your specific engine.



1115-7 *Illustrations cover a range of engines. Parts shown without corresponding text may not be used on your specific engine.* Assemblies include all parts shown in frames. 09/29/2005

12J700

REF. NO.	PART NO.	DESCRIPTION	REF. NO.	PART NO.	DESCRIPTION	REF. NO.	PART NO.	DESCRIPTION
1	697324	Cylinder Assembly	25	790358	Piston Assembly (Standard) (Used After Code Date 04031400).	26	790360	Ring Set (Standard) (Used After Code Date 04031400).
2	399269	Kit-Bushing/Seal (Magneto Side)						
3	*299819	Seal-Oil (Magneto Side)			----- Note -----			----- Note -----
4	493279	Sump-Engine		499433	Piston Assembly (Standard) (Used After Code Date 97011200 and Before Code Date 04031500).		499425	Ring Set (Standard) (Used After Code Date 97011200 and Before Code Date 04031500).
5	691160	Head-Cylinder						
7	*Ø692294	Gasket-Cylinder Head						
8	695250	Breather Assembly		494058	Piston Assembly (Standard) (Used Before Code Date 97011300).		493261	Ring Set (Standard) (Used Before Code Date 97011300).
9	*Ø272481	Gasket-Breather					499426	Ring Set (.010 Oversize) (Used After Code Date 97011200).
10	94650	Screw (Breather Assembly)		499434	Piston Assembly (.010 Oversize) (Used After Code Date 97011200).		493388	Ring Set (.010 Oversize) (Used Before Code Date 97011300).
11	691781	Tube-Breather					791324	Ring Set (.020" Oversize) (Used After Code Date 04102100).
12	*692232	Gasket-Crankcase		494059	Piston Assembly (.010 Oversize) (Used Before Code Date 97011300).		499427	Ring Set (.020" Oversize) (Used After Code Date 97011200 and Before Code Date 04102200).
13	690912	Screw (Cylinder Head)					493389	Ring Set (.020" Oversize) (Used Before Code Date 97011300).
15	691680	Plug-Oil Drain		791325	Piston Assembly (.020" Oversize) (Used After Code Date 04102100).		499428	Ring Set (.030 Oversize) (Used After Code Date 97011200).
16	691451	Crankshaft (Used After Code Date 97011200). ----- Note ----- 694442 Crankshaft (Used Before Code Date 97011300). 691452 Crankshaft (Used After Code Date 97011200). Used on Type No(s). 1753, 1754. 694059 Crankshaft (Used Before Code Date 97011300). Used on Type No(s). 1753, 1754. 691455 Crankshaft Used on Type No(s). 0639, 1739.					493390	Ring Set (.030 Oversize) (Used Before Code Date 97011300).
20	*399781	Seal-Oil (PTO Side)		499435	Piston Assembly (.020" Oversize) (Used After Code Date 97011200 and Before Code Date 04102200).		691866	Lock-Piston Pin (Used After Code Date 97011200). ----- Note ----- 691588 Lock-Piston Pin (Used Before Code Date 97011300).
22	691092	Screw (Crankcase Cover/Sump)		494060	Piston Assembly (.020" Oversize) (Used Before Code Date 97011300).			
23	692315	Flywheel (Rewind Start)		499436	Piston Assembly (.030 Oversize) (Used After Code Date 97011200).			
23A	691992	Flywheel (Electric Start)						
24	222698	Key-Flywheel		494061	Piston Assembly (.030 Oversize) (Used Before Code Date 97011300).			

* Included in Engine Gasket Set-Ref. No.358.

● Included in Carburetor Overhaul Kit-Ref. No. 121.

◆ Included in Carburetor Gasket Set-Ref. No. 977.

Ø Included in Valve Gasket Set-Ref. No 1095.

Illustrations cover a range of engines. Parts shown without corresponding text may not be used on your specific engine.

REF. NO.	PART NO.	DESCRIPTION	REF. NO.	PART NO.	DESCRIPTION	REF. NO.	PART NO.	DESCRIPTION
28	499423	Pin-Piston (Standard) (Used After Code Date 97011200). ----- Note -----	43	691997	Slinger-Governor/Oil	117	494870	Jet-Main (Standard) (Used After Code Date 02092900). ----- Note -----
	298909	Pin-Piston (Standard) (Used Before Code Date 97011300).	45	690548	Tappet-Valve		498975	Jet-Main (Standard) (Used After Code Date 96060200 and Before Code Date 02093000).
	298908	Pin-Piston (.005 Oversize) (Used Before Code Date 97011300).	46	691449	Camshaft (Used After Code Date 96060200). ----- Note -----		494870	Jet-Main (Standard) (Used Before Code Date 96060300).
29	499424	Rod-Connecting (Standard) (Used After Code Date 97011200). ----- Note -----	50	497465	Manifold-Intake	117A	494870	Jet-Main (Standard)
	490566	Rod-Connecting (Standard) (Used Before Code Date 97011300).	51	*272199	Gasket-Intake	118	497315	Jet-Main (High Altitude) (Used After Code Date 02092900). ----- Note -----
	490743	Rod-Connecting (.020 Undersize) (Used Before Code Date 97011300).	54	691650	Screw (Intake Manifold)		497348	Jet-Main (High Altitude) (Used After Code Date 96060200 and Before Code Date 02093000).
32	691664	Screw (Connecting Rod)	55	691421	Housing-Rewind Starter		497315	Jet-Main (High Altitude) (Used Before Code Date 96060300).
32A	695759	Screw (Connecting Rod) (Used After Code Date 00042200).	58	280399	Rope-Starter (Cut To Required-Length)	118A	497315	Jet-Main (High Altitude)
33	262651	Valve-Exhaust	60	281434	Grip-Starter Rope	121	498260	Kit-Carburetor Overhaul
34	262652	Valve-Intake	65	690837	Screw (Rewind Starter)	125	698444	Carburetor (Primer System) (Used After Code Date 96060200). ----- Note -----
35	691270	Spring-Valve (Intake)	78	691108	Screw (Flywheel Guard)		498170	Carburetor (Primer System) (Used Before Code Date 96060300).
36	691270	Spring-Valve (Exhaust)	81	691740	Lock-Muffler Screw	125A	690000	Carburetor (Choke System) Used on Type No(s). 0639, 1739.
37	694086	Guard-Flywheel	95	691636	Screw (Throttle Valve)			
40	692194	Retainer-Valve	97	493267	Shaft-Throttle (Metal) ----- Note -----			
				696565	Shaft-Throttle (Plastic)			
			98A	493280	Kit-Idle Speed			
			104	●691242	Pin-Float Hinge			
			108	691182	Valve-Choke			
			109A	498593	Shaft-Choke			

★ Included in Engine Gasket Set-Ref. No.358.

● Included in Carburetor Overhaul Kit-Ref. No. 121.

◆ Included in Carburetor Gasket Set-Ref. No. 977.

⊘ Included in Valve Gasket Set-Ref. No 1095.

Illustrations cover a range of engines. Parts shown without corresponding text may not be used on your specific engine.

12J700

REF. NO.	PART NO.	DESCRIPTION	REF. NO.	PART NO.	DESCRIPTION	REF. NO.	PART NO.	DESCRIPTION		
127	●694468	Plug-Welch	188	690877	Screw (Control Bracket)	287	690940	Screw (Dipstick Tube)		
127A	●691739	Plug-Welch	190	690940	Screw (Fuel Tank)	300	692038	Muffler		
130	691203	Valve-Throttle	202	691829	Link-Mechanical Governor	304	493294	Housing-Blower		
		----- Note -----	209	691291	Spring-Governor			----- Note -----		
		696564 Valve-Throttle (Used With Plastic Throttle Shaft)			----- Note -----			493293 Housing-Blower		
130A	691181	Valve-Throttle			691292 Spring-Governor			Used on Type No(s). 0657, 1748, 1757, 1761.		
133	398187	Float-Carburetor			Used on Type No(s). 1748, 1761.			695892 Housing-Blower		
134	●398188	Kit-Needle/Seat			691864 Spring-Governor			Used on Type No(s). 1759.		
137	◆●693981	Gasket-Float Bowl			Used on Type No(s). 0639.	305	691108	Screw (Blower Housing)		
146	690979	Key-Timing			790944 Spring-Governor	306	690450	Shield-Cylinder		
159	691753	Bracket-Air Cleaner Primer			Used on Type No(s). 1739.	307	690345	Screw (Cylinder Shield)		
187	791766	Line-Fuel (Cut to Required Length) (Used After Code Date 05063000).	222	790143	Bracket-Control (Remote/Manual Friction) (Primer)	309	695550	Motor-Starter		
		----- Note -----			222E	692982	Bracket-Control (Fixed Speed, 5 Position Manual Choke)	310	692327	Bolt (Starter Motor)
		691050 Line-Fuel (Cut to Required Length) (Used Before Code Date 05070100).			227	690783	Lever-Governor Control	332	690662	Nut (Flywheel)
187A	791873	Line-Fuel (Molded) (Used After Code Date 05063000).	240	298090	Filter-Fuel	333	802574	Armature-Magneto		
		----- Note -----	265	690798	Clamp-Casing	334	691061	Screw (Magneto Armature)		
		691371 Line-Fuel (Molded) (Used Before Code Date 05070100).	267	691044	Screw (Casing Clamp)	337	802592	Plug-Spark		
187B	791891	Line-Fuel (Includes Filter) (Used After Code Date 05063000).	268	691072	Casing-Control Wire (Cut to Required Length)	346	690661	Screw (Spark Arrestor)		
		----- Note -----	269	691026	Wire-Control (Cut to Required Length)	347	691396	Switch-Rocker		
		692042 Line-Fuel (Includes Filter) (Used Before Code Date 05070100).	270	691027	Nut (Control Wire Casing)	356	692390	Wire-Stop		
163	◆●272653	Gasket-Air Cleaner	271	691028	Lever-Control	356A	690650	Wire-Stop		
			276	◆●271716	Washer-Sealing	356B	693010	Wire-Stop		
						357A	692191	Key-Drive Pulley		
						358	497316	Gasket Set-Engine		
						363	19069	Flywheel Puller		
						365	691688	Screw (Carburetor)		
						383	89838	Wrench-Spark Plug		
						404	690272	Washer (Governor Crank)		
						425A	690670	Screw (Air Cleaner Cover)		

★ Included in Engine Gasket Set-Ref. No.358.

● Included in Carburetor Overhaul Kit-Ref. No. 121.

◆ Included in Carburetor Gasket Set-Ref. No. 977.

⊘ Included in Valve Gasket Set-Ref. No 1095.

Illustrations cover a range of engines. Parts shown without corresponding text may not be used on your specific engine.

1115-10

Assemblies include all parts shown in frames.

09/29/2005

REF. NO.	PART NO.	DESCRIPTION	REF. NO.	PART NO.	DESCRIPTION	REF. NO.	PART NO.	DESCRIPTION
443A	692523	Screw (Air Cleaner Primer Base)	617 ◆●270344		Seal-O Ring (Intake Manifold)	783A	691269	Gear-Pinion
445A	491588	Filter-Air Cleaner Cartridge	621	692310	Switch-Stop	784	692341	Cover-Starter Gear
455	695161	Cup-Flywheel	627	692872	Bracket-Stopswitch	785	692352	Gasket-Starter Cover
456	692299	Plate-Pawl Friction	633 ◆●691321		Seal-Choke/Throttle Shaft	789	696546	Harness-Wiring (Used After Code Date 00040600).
459	281505	Pawl-Ratchet	633A ◆●693867		Seal-Choke/Throttle Shaft	----- Note -----		
474	691991	Alternator	635	66538	Boot-Spark Plug	690790		Harness-Wiring (Used Before Code Date 00040700).
497	690664	Screw (Stopswitch Bracket)	651	691660	Screw (Starter Gear Cover)	801	690782	Cap-Drive
505	691251	Nut (Governor Control Lever)	668	★493823	Spacer (Includes 2)	802	695267	Cap-End (Used After Code Date 00040600)
510	494147	Drive-Starter	670	692294	Spacer-Fuel Tank	----- Note -----		
513	692358	Clutch-Drive	676A	393756	Deflector-Muffler (Side Out) (Shallow)	695975		End Cap (Used Before Code Date 00040700)
523	495264	Dipstick	676E	393760	Deflector-Muffler (Side Out) (Deep)	803	695266	Housing-Starter (Used After Code Date 00040600)
524	★692296	Seal-Dipstick Tube	677	690661	Screw (Muffler Deflector)	----- Note -----		
525	495265	Tube-Dipstick	684	690345	Screw (Breather Passage Cover)	695975		Housing-Starter (Used Before Code Date 00040700)
529	691923	Grommet	689	691855	Spring-Friction	832	499034	Guard-Muffler
544	690786	Armature-Starter	692	690572	Spring-Detent	836	690664	Screw (Muffler Guard)
545	492919	Washer Set (Starter Motor)	697	691127	Screw (Drive Cap)	842	★691031	Seal-O Ring (Dipstick Tube)
562	92613	Bolt (Governor Control Lever)	718	690959	Pin-Locating	843A	691895	Sleeve-Lever
584	697734	Cover-Breather Passage	741	790345	Gear-Timing (Use Without Woodruff Key)	847	692017	Dipstick/Tube Assembly
585	★691879	Gasket-Breather Passage			----- Note -----	851	493880	Terminal-Spark Plug
592	690800	Nut (Rewind Starter)			691830			Gear-Timing (Uses Woodruff Key)
597	691696	Screw (Pawl Friction Plate)	742	93941	Retainer-E Ring	853	695268	Adapter-Wire
601	95162	Clamp-Hose	745	691648	Screw (Brake)	869	691155	Seat-Valve (Intake)
608	497680	Starter-Rewind	783	691918	Gear-Pinion (Starter)	870	690380	Seat-Valve (Exhaust)
613	691340	Screw (Muffler)						
615	690340	Retainer-Governor Shaft						
616	698801	Crank-Governor						

★ Included in Engine Gasket Set-Ref. No.358.

● Included in Carburetor Overhaul Kit-Ref. No. 121.

◆ Included in Carburetor Gasket Set-Ref. No. 977.

⊘ Included in Valve Gasket Set-Ref. No 1095.

Illustrations cover a range of engines. Parts shown without corresponding text may not be used on your specific engine.

12J700

REF. NO.	PART NO.	DESCRIPTION	REF. NO.	PART NO.	DESCRIPTION	REF. NO.	PART NO.	DESCRIPTION
871	262001	Bushing-Valve Guide (Exhaust)	935	499421	Switch-Interlock	1036		Label-Emission (Available From An Authorized Briggs & Stratton Service Dealer)
		----- Note -----	937	691325	Spline-Starter			
	63709	Bushing-Valve Guide (Intake)	957	397974	Cap-Fuel Tank (Plastic)	1058	276171	Manual-Owner's
883	691881	Gasket-Exhaust	966A	496116	Base-Air Cleaner Primer	1059	692311	Kit-Screw/Washer
910	691094	Stud (Alternator)	967A	493537	Filter-Pre Cleaner	1095	498528	Gasket Set-Valve
922	691831	Spring-Brake	968B	692298	Cover-Air Cleaner	1119	691648	Screw (Alternator)
922A	692135	Spring-Brake Used on Type No(s). 1759.	970	691669	Screw (Air Cleaner Primer Bracket)	1160	691627	Screw (Interlock Switch)
923	691994	Brake	972	699392	Tank-Fuel (Plastic)	1210	498144	Pulley/Spring Assembly (Pulley)
923A	695891	Brake Used on Type No(s). 1759.	975	493640	Bowl-Float	1211	498144	Pulley/Spring Assembly (Spring)
930	691919	Guard-Rewind	976	694395	Primer-Carburetor	1330	270962	Manual-Repair
			977	498261	Gasket Set-Carburetor			
			994	398067	Arrestor-Spark			
			1005	691346	Fan-Flywheel			
			1019	494256	Kit-Label			

★ Included in Engine Gasket Set-Ref. No.358.

● Included in Carburetor Overhaul Kit-Ref. No. 121.

◆ Included in Carburetor Gasket Set-Ref. No. 977.

∅ Included in Valve Gasket Set-Ref. No 1095.

Illustrations cover a range of engines. Parts shown without corresponding text may not be used on your specific engine.

1115-12

Assemblies include all parts shown in frames.

09/29/2005