



**12F800**

# Illustrated Parts List

## Model Series

# 12F800

TYPE NUMBERS  
0600 through 3511.

### TABLE OF CONTENTS

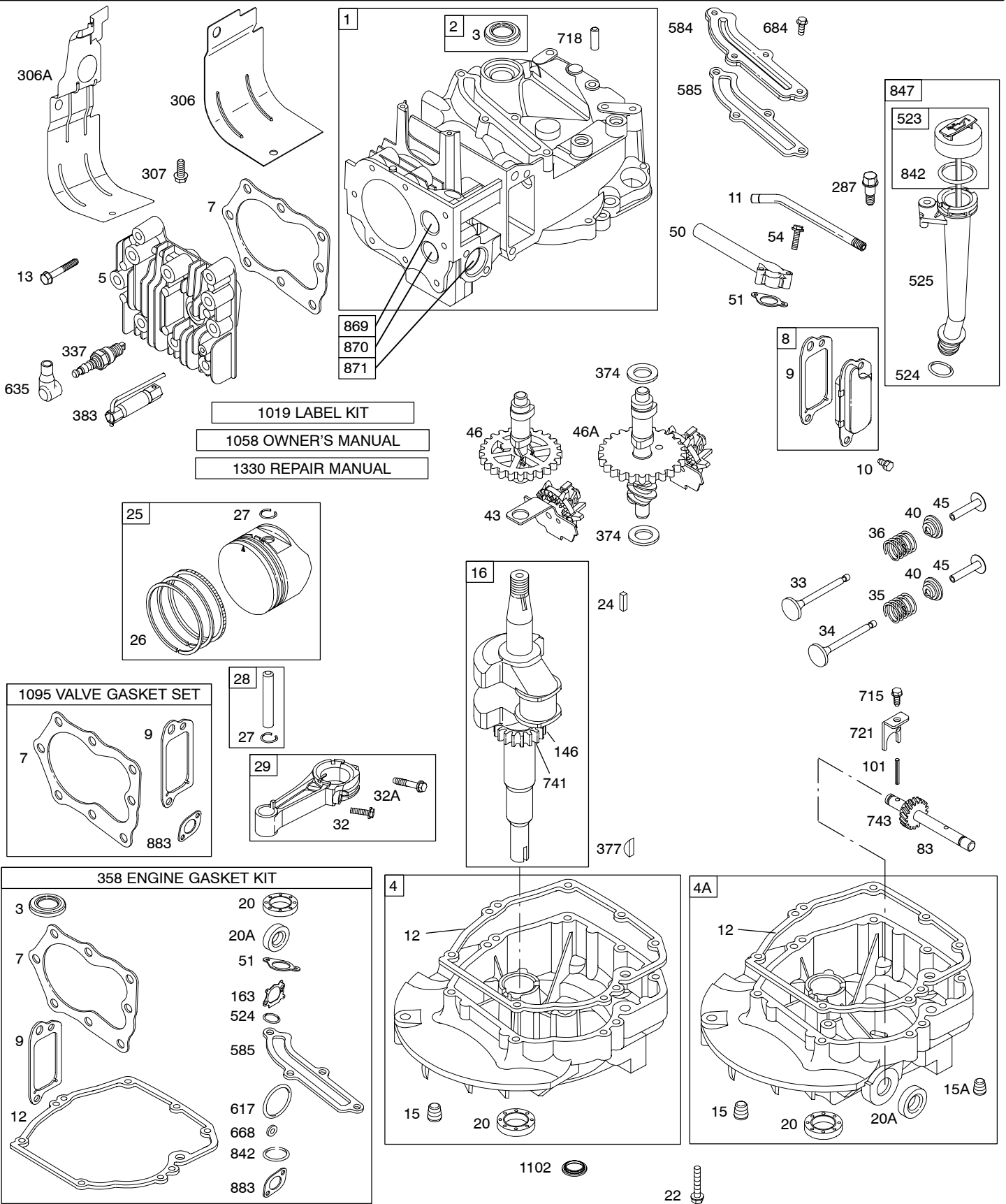
Alternator .....	8
Air Cleaner .....	4
Blower Housing/Shrouds .....	6
Camshaft .....	2
Carburetor .....	3
Controls .....	5
Crankshaft .....	2
Cylinder .....	2
Electric Starter .....	8
Electrical .....	8
Engine Sump .....	2
Exhaust System .....	4
Flywheel .....	7
Flywheel Brake .....	8
Fuel Supply .....	5
Governor Spring .....	5
Ignition .....	8
Lubrication .....	2
Kits/Gaskets .....	2 & 3
Piston Group .....	2
Rewind Starter .....	7
Valves .....	2



PRINTED IN U.S.A.

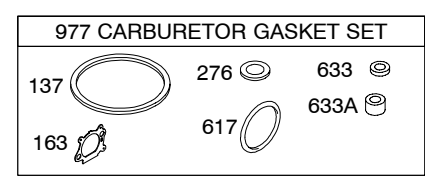
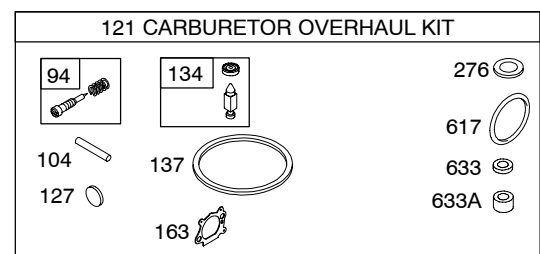
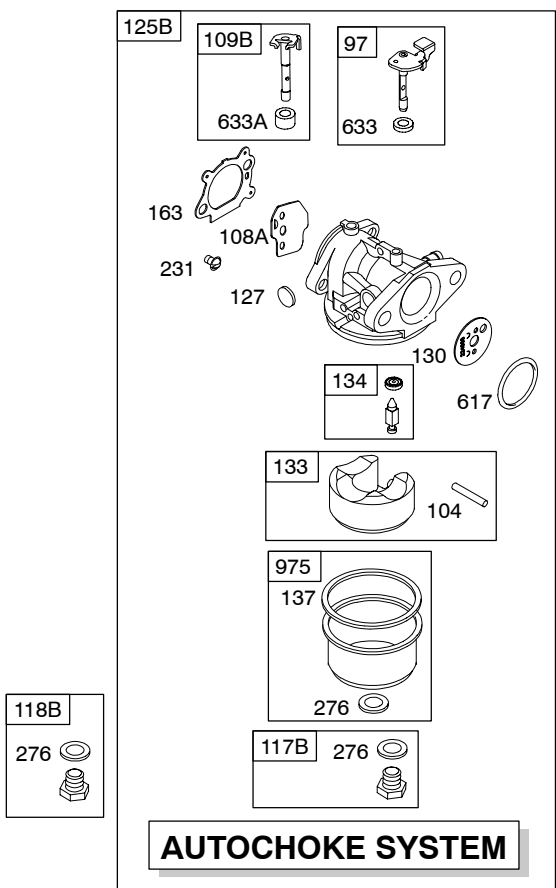
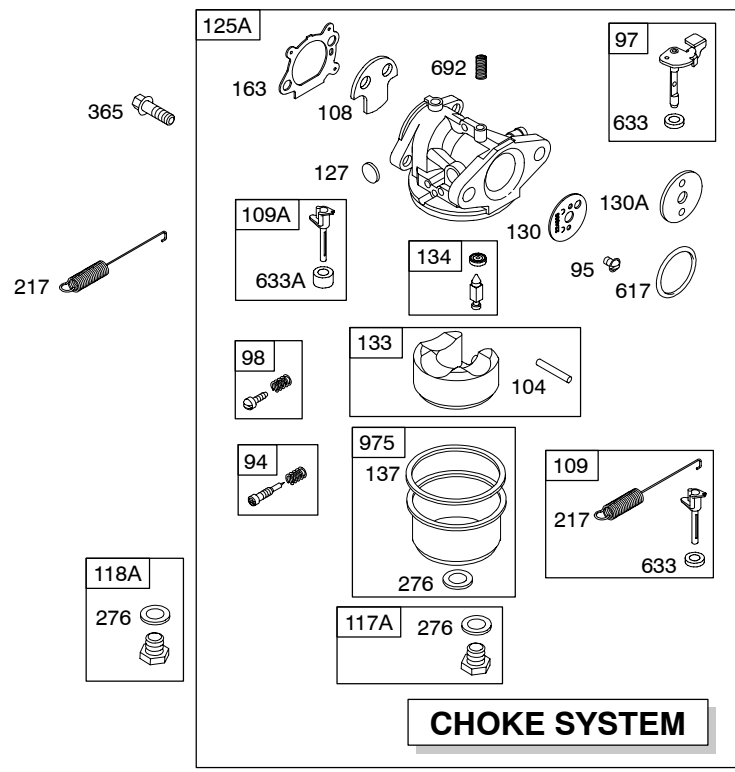
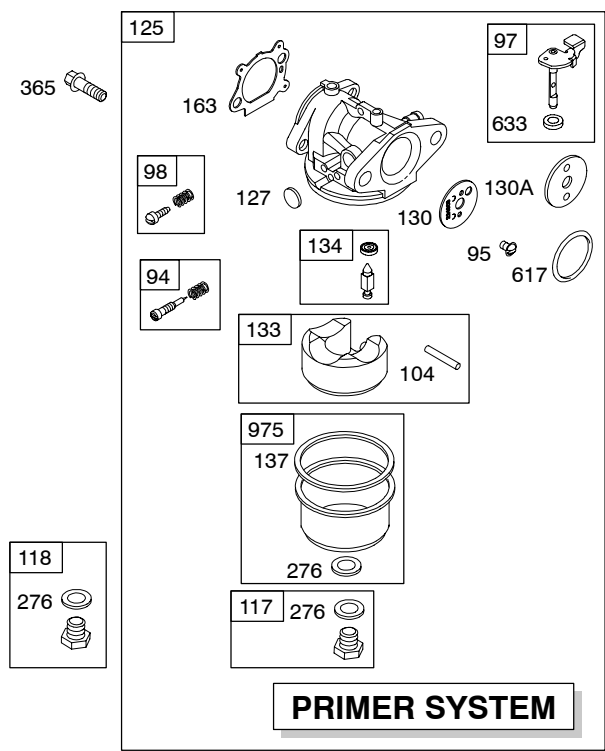
COPYRIGHT by BRIGGS & STRATTON CORPORATION  
All rights reserved. No part of this material may be reproduced or transmitted, in any form or by any means, electronic or mechanical, including photocopying, recording or by any information storage and retrieval system, without permission in writing from Briggs & Stratton Corporation.

# 12F800



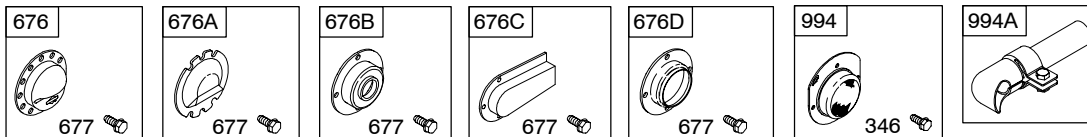
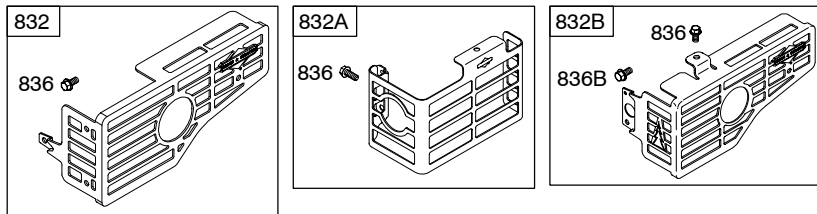
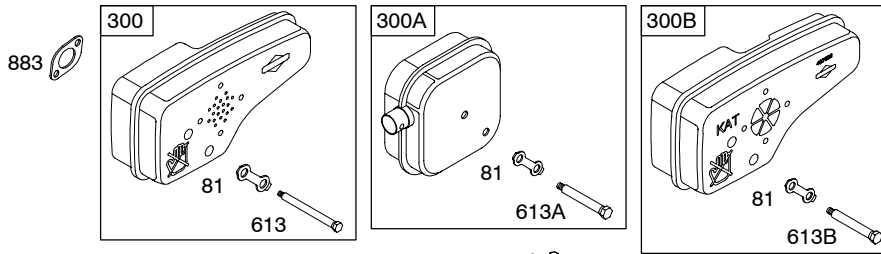
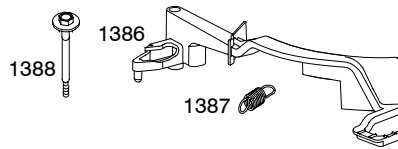
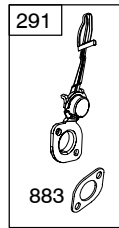
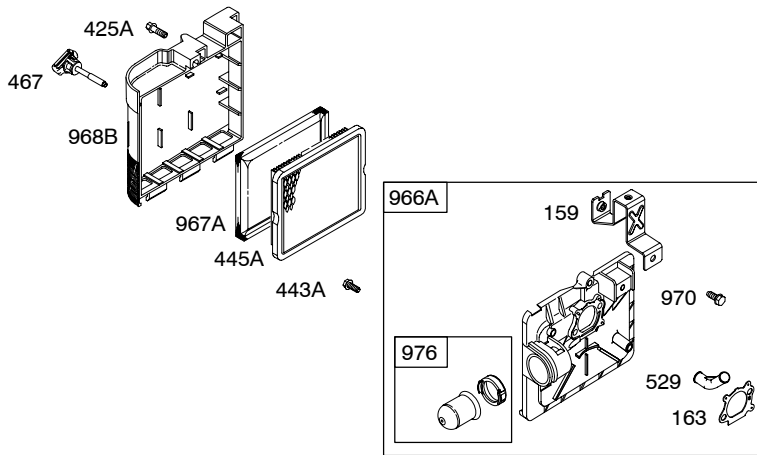
Illustrations cover a range of engines. Parts shown without corresponding text may not be used on your specific engine.  
 0517-2 Assemblies include all parts shown in frames. 09/21/2005

**12F800**

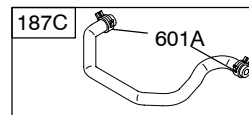
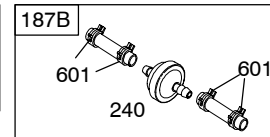
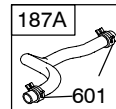
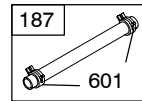
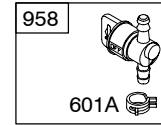
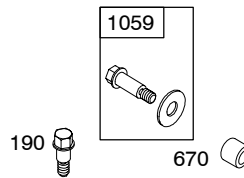
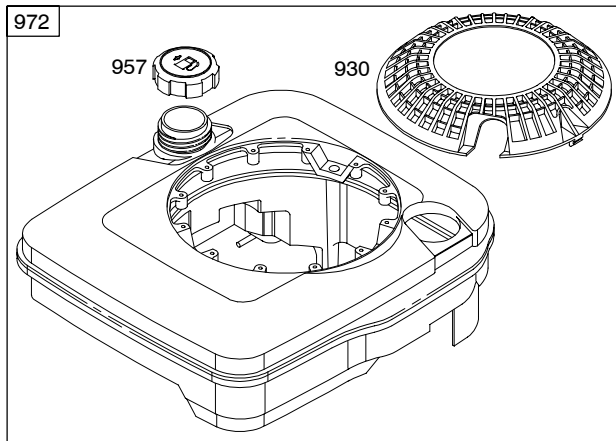


Illustrations cover a range of engines. Parts shown without corresponding text may not be used on your specific engine.  
 0517-3 Assemblies include all parts shown in frames. 09/21/2005

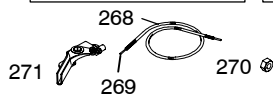
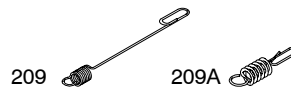
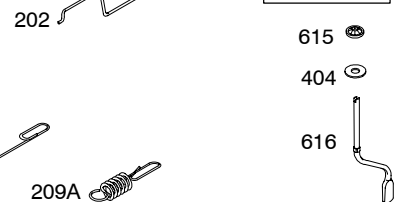
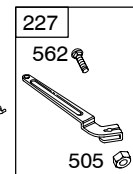
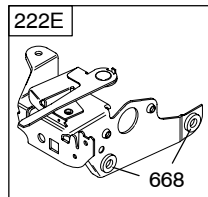
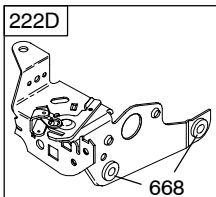
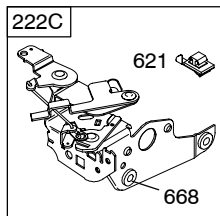
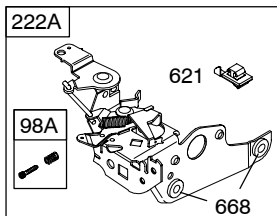
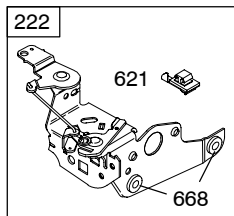
# 12F800



Illustrations cover a range of engines. Parts shown without corresponding text may not be used on your specific engine.  
 0517-4 Assemblies include all parts shown in frames. 09/21/2005

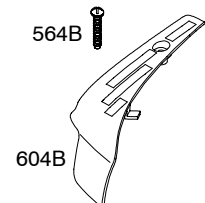
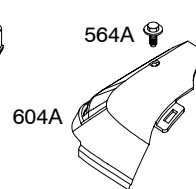
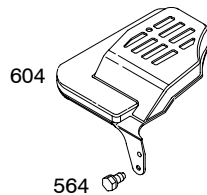
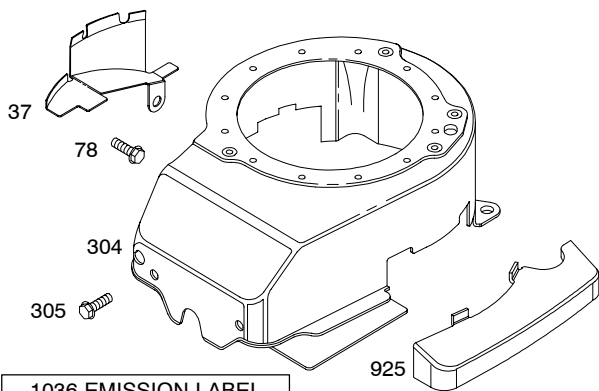
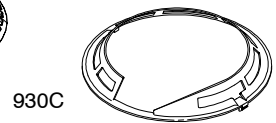
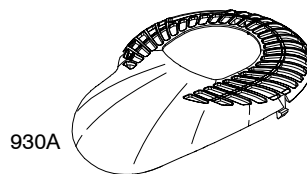
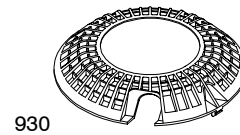
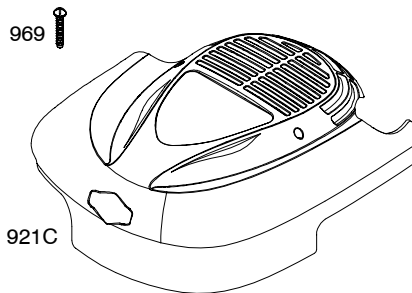
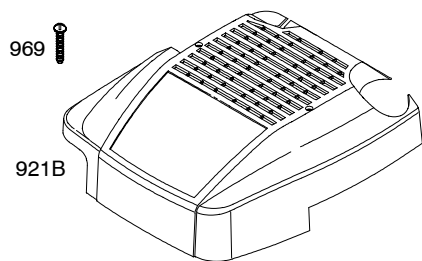
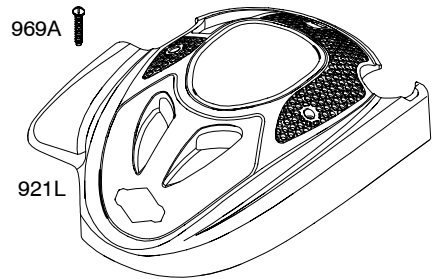
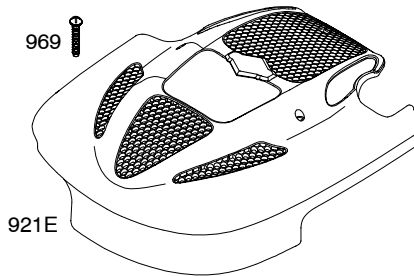
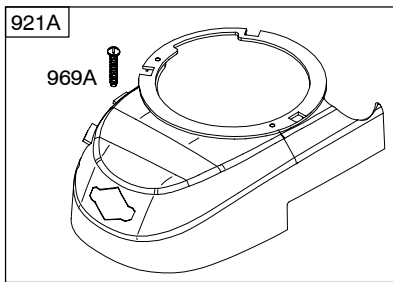
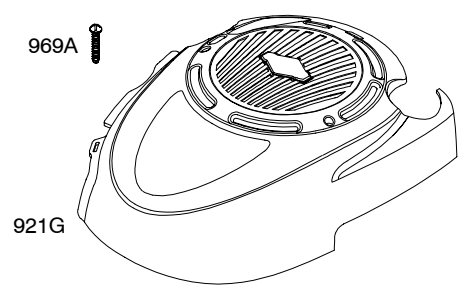
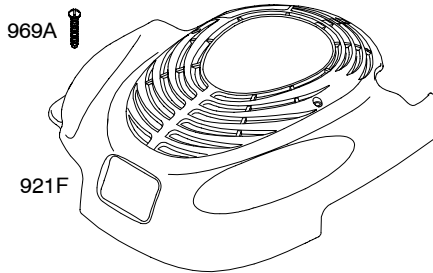
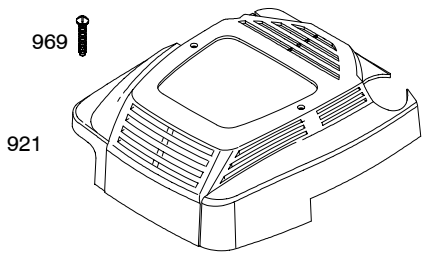


843 843A 188

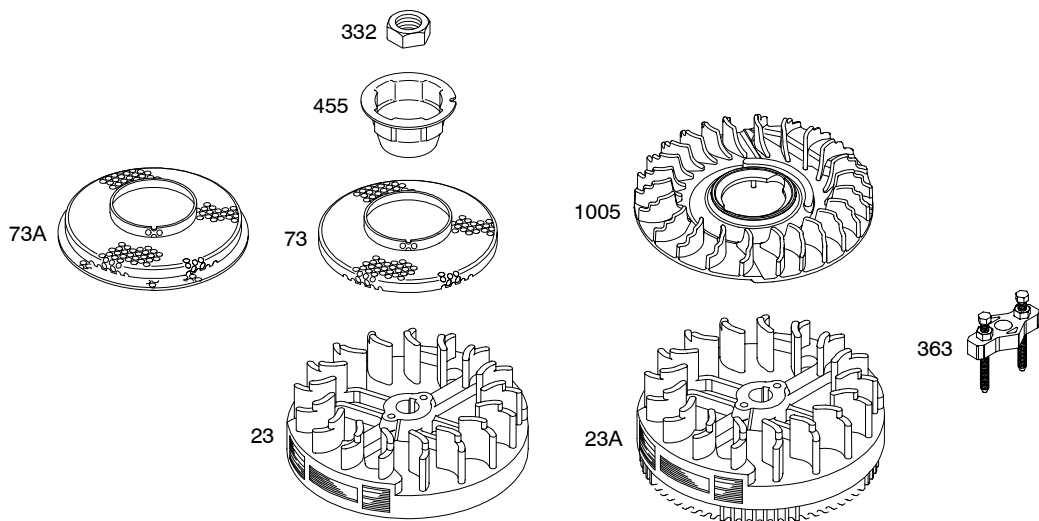
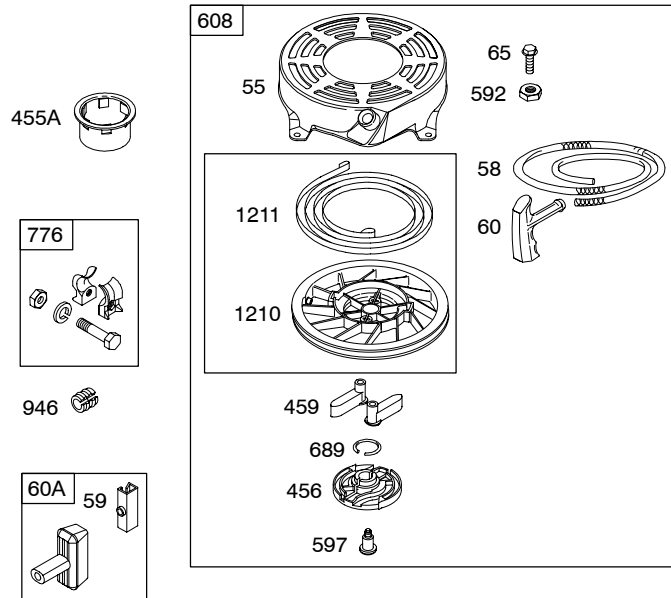
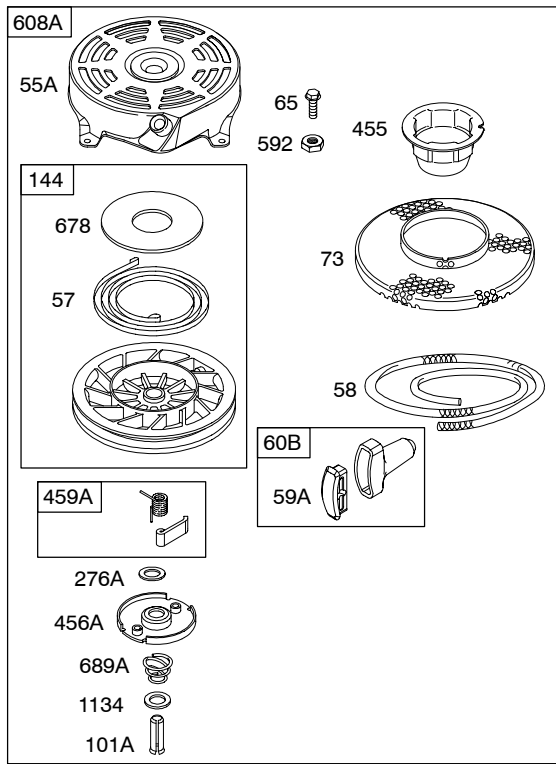


0517-5 *Illustrations cover a range of engines. Parts shown without corresponding text may not be used on your specific engine.* Assemblies include all parts shown in frames. 09/21/2005

# 12F800

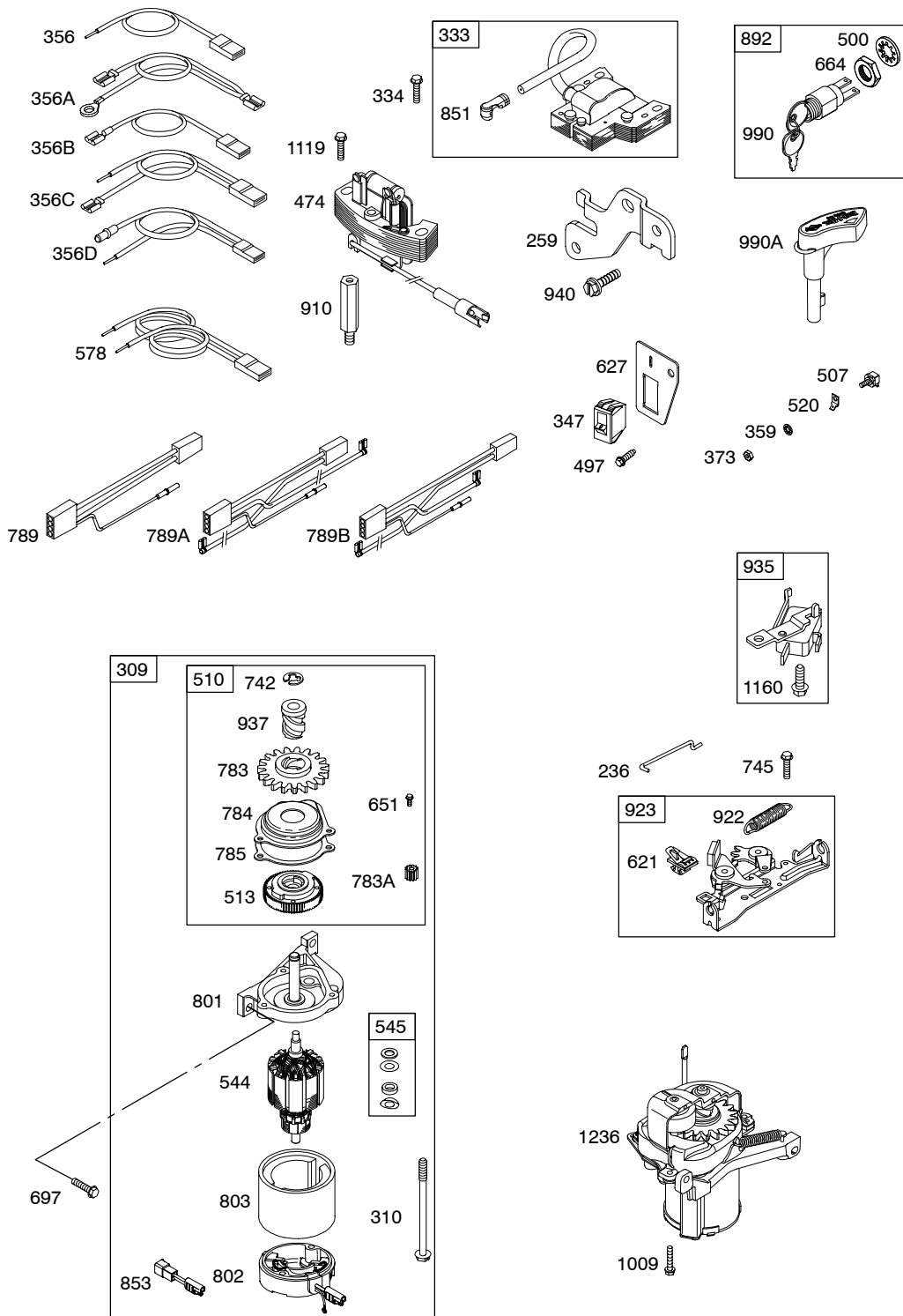


Illustrations cover a range of engines. Parts shown without corresponding text may not be used on your specific engine.  
0517-6 Assemblies include all parts shown in frames. 09/21/2005



0517-7 *Illustrations cover a range of engines. Parts shown without corresponding text may not be used on your specific engine.* Assemblies include all parts shown in frames. 09/21/2005

# 12F800



Illustrations cover a range of engines. Parts shown without corresponding text may not be used on your specific engine.  
 0517-8 Assemblies include all parts shown in frames. 09/21/2005



REF. NO.	PART NO.	DESCRIPTION	REF. NO.	PART NO.	DESCRIPTION	REF. NO.	PART NO.	DESCRIPTION
1	697322	Cylinder Assembly	5	691160	Head-Cylinder	12	★692232	Gasket-Crankcase
2	399269	Kit-Bushing/Seal (Magneto Side)	7	★∅692249	Gasket-Cylinder Head	13	690912	Screw (Cylinder Head)
3	★299819	Seal-Oil (Magneto Side)	8	495786	Breather Assembly	15	691680	Plug-Oil Drain (Square Socket)
4	493279	Sump-Engine ----- <b>Note</b> ----- 498983 Sump-Engine Used on Type No(s). 2026, 3116, 3134. 696294 Sump-Engine Used on Type No(s). 1718, 1925, 1958, 2027, 2038, 2044, 2046, 2327, 2329, 2611, 2612, 2613, 3186, 3322, 3324.	9	★∅272481	Gasket-Breather	15A	691093	Plug-Oil Drain (Hex Socket)
4A	493365	Sump-Engine (Auxiliary PTO) ----- <b>Note</b> ----- 699920 Sump-Engine (Auxiliary PTO) Used on Type No(s). 2007, 2685, 2687.	10	94650	Screw (Breather Assembly)			
			11	691781	Tube-Breather			

★ Included in Engine Gasket Set-Ref. No.358.

● Included in Carburetor Overhaul Kit-Ref. No. 121.

◆ Included in Carburetor Gasket Set-Ref. No. 977.

∅ Included in Valve Gasket Set-Ref. No 1095.

*Illustrations cover a range of engines. Parts shown without corresponding text may not be used on your specific engine.*

# 12F800

REF. NO.	PART NO.	DESCRIPTION	REF. NO.	PART NO.	DESCRIPTION	REF. NO.	PART NO.	DESCRIPTION
16	691451	Crankshaft (Used After Code Date 97011200). ----- <b>Note</b> ----- <b>694442</b> Crankshaft (Used Before Code Date 97011300). <b>691450</b> Crankshaft (Used After Code Date 97011200). Used on Type No(s). 0600,0808,0820,0833, 0835,0838,0840,0841, 0842,0852,0863,0876, 0884,0890,0906,1108, 1110,1147,1149,1154, 1159,1160,1162,1163, 1173,1174,1188,1191, 1201,1215,1220,1221, 1312,1508,1523,1524, 1557,1558,1560,1569, 1573,1700,1718,1719, 1720,1721,1722,1737, 1908,1932,1946,1947, 1949,1950,1951,1952, 1961,1962,1976,1985, 2006,2011,2021,2047, 2308,2310,2373,2374, 2608,2611,2612,2613, 2623,2624,2625,2626, 2627,2628,2925,3112, 3133,3180,3185,3186, 3187,3188. <b>694440</b> Crankshaft (Used Before Code Date 97011300). Used on Type No(s). 0600,0808,0820,0833, 0835,0838,0840,0841, 0842,0852,0863,0876, 0884,0890,0906,1108, 1110,1147,1149,1154, 1159,1160,1162,1163, 1173,1174,1188,1191, 1508,1523,1524,1557, 1558,1560,1569,1573, 1976. <b>692980</b> Crankshaft (Used After Code Date 97011200). Used on Type No(s). 0650,0667,1734,1735, 1750,1767.			<b>694443</b> Crankshaft (Used Before Code Date 97011300). Used on Type No(s). 0650,0667,1750. <b>691452</b> Crankshaft (Used After Code Date 97011200). Used on Type No(s). 0639,0640,0653,0654, 0817,0823,0830,0844, 0845,0853,0859,0862, 0866,0868,0870,0874, 0879,0882,0883,0887, 0894,0905,0907,0908, 0911,0914,0915,0916, 0918,1145,1151,1152, 1157,1158,1166,1167, 1170,1171,1175,1178, 1181,1182,1183,1186, 1190,1193,1194,1198, 1199,1208,1209,1210, 1212,1310,1311,1318, 1319,1320,1327,1328, 1329,1360,1366,1376, 1377,1378,1520,1521, 1566,1571,1574,1733, 1753,1754,1917,1927, 1934,1936,1937,1938, 1941,1943,1944,1945, 1955,1959,1966,1967, 1982,2003,2026,2027, 2029,2031,2032,2036, 2049,2050,2051,2052, 2327,2329,2355,2356, 2357,2366,2371,2378, 2379,2380,2399,2402, 2671,2674,2686,3105, 3111,3119,3120,3127,3 131,3132,3136,3165,3 166,3168,3177,3178,3 200,3320,3322,3323,3 324,3325. <b>694059</b> Crankshaft (Used Before Code Date 97011300). Used on Type No(s). 0639,0640,0817,0823, 0830,0844,0845,0853, 0859,0862,0866,0868, 0870,0874,0879,0882, 0883,0887,0894,0907, 0908,1145,1151,1152,			1157,1158,1166,1167, 1170,1171,1175,1178, 1181,1182,1183,1186, 1190,1194,1310,1311, 1366,1376,1377,1520, 1521,1566,1571,1574. <b>691455</b> Crankshaft (Used After Code Date 97011200). Used on Type No(s). 0815,0877,0888,1189, 1192,1581,1914,1977, 2001,2017,2407,2411, 2409,2681,2682,2918. <b>691375</b> Crankshaft (Used Before Code Date 97011300). Used on Type No(s). 0815,0877,0888,1189, 1581. <b>691454</b> Crankshaft Used on Type No(s). 0857,0858,0860,0878, 0880,1164,1177,1948, 1978,1980,2004,2005, 2007,2037,2038,2044, 2045,2685,2687,3510, 3511. <b>692981</b> Crankshaft (Used After Code Date 97011200). Used on Type No(s). 1142. <b>692028</b> Crankshaft (Used Before Code Date 97011300). Used on Type No(s). 1142. <b>691482</b> Crankshaft Used on Type No(s). 3116, 3134. <b>694079</b> Crankshaft Used on Type No(s). 1769. <b>696009</b> Crankshaft Used on Type No(s). 1770. <b>695242</b> Crankshaft Used on Type No(s). 1213, 1214, 2033. <b>694850</b> Crankshaft Used on Type No(s). 2406, 2413.

★ Included in Engine Gasket Set-Ref. No.358.

● Included in Carburetor Overhaul Kit-Ref. No. 121.

◆ Included in Carburetor Gasket Set-Ref. No. 977.

⊘ Included in Valve Gasket Set-Ref. No 1095.

*Illustrations cover a range of engines. Parts shown without corresponding text may not be used on your specific engine.*

0517-10

Assemblies include all parts shown in frames.

09/21/2005

REF. NO.	PART NO.	DESCRIPTION	REF. NO.	PART NO.	DESCRIPTION	REF. NO.	PART NO.	DESCRIPTION
<b>20</b>	<b>★399781</b>	Seal–Oil (PTO Side)	<b>25</b>	<b>790359</b>	Piston Assembly (Standard) (Used After Code Date 04031400).	<b>26</b>	<b>790360</b>	Ring Set (Standard) (Used After Code Date 04031400).
<b>20A</b>	<b>★691952</b>	Seal–Oil (PTO Side) (Auxiliary PTO)			----- <b>Note</b> -----			----- <b>Note</b> -----
<b>22</b>	<b>691092</b>	Screw (Crankcase Cover/Sump)		<b>499429</b>	Piston Assembly (Standard) (Used After Code Date 97011200 and Before Code Date 04031500).		<b>499425</b>	Ring Set (Standard) (Used After Code Date 97011200 and Before Code Date 04031500).
<b>23</b>	<b>692315</b>	Flywheel (Rewind Start)		<b>493262</b>	Piston Assembly (Standard) (Used Before Code Date 97011300).		<b>493261</b>	Ring Set (Standard) (Used Before Code Date 97011300).
<b>23A</b>	<b>691987</b>	Flywheel (Electric Start) ----- <b>Note</b> ----- <b>691992</b> Flywheel (Electric Start) Used on Type No(s). 0645, 0817, 0882, 0883, 0905, 1189, 1192, 1570, 1571, 1580, 1581, 1914, 1917, 1982, 2001, 2017, 2026, 2029, 2031, 2035, 2036, 2049, 2051, 2406, 2413, 2325, 2356, 2403, 2404, 2405, 2407, 2671, 2681, 2682, 3116, 3181, 3182. <b>696291</b> Flywheel (Electric Start) Used on Type No(s). 1718, 1925, 1958, 2007, 2027, 2038, 2044, 2046, 2327, 2329, 2611, 2612, 2613, 2685, 2687, 3186, 3322, 3324.		<b>499430</b> Piston Assembly (.010" Oversize) (Used After Code Date 97011200).		<b>493385</b> Piston Assembly (.010" Oversize) (Used Before Code Date 97011300).		<b>791324</b> Ring Set (.020" Oversize) (Used After Code Date 04102100).
<b>24</b>	<b>222698</b>	Key–Flywheel		<b>791326</b> Piston Assembly (.020" Oversize) (Used After Code Date 04102100).		<b>499427</b> Ring Set (.020" Oversize) (Used After Code Date 97011200 and Before Code Date 04102200).		<b>493389</b> Ring Set (.020" Oversize) (Used Before Code Date 97011300).
				<b>499431</b> Piston Assembly (.020" Oversize) (Used After Code Date 97011200 and Before Code Date 04102200).		<b>493389</b> Ring Set (.020" Oversize) (Used Before Code Date 97011300).		<b>499428</b> Ring Set (.030" Oversize) (Used After Code Date 97011200).
				<b>493386</b> Piston Assembly (.020" Oversize) (Used Before Code Date 97011300).		<b>493390</b> Ring Set (.030" Oversize) (Used Before Code Date 97011300).		
				<b>499432</b> Piston Assembly (.030" Oversize) (Used After Code Date 97011200).				
				<b>493387</b> Piston Assembly (.030" Oversize) (Used Before Code Date 97011300).				

★ Included in Engine Gasket Set–Ref. No.358.

● Included in Carburetor Overhaul Kit–Ref. No. 121.

◆ Included in Carburetor Gasket Set–Ref. No. 977.

⊘ Included in Valve Gasket Set–Ref. No 1095.

*Illustrations cover a range of engines. Parts shown without corresponding text may not be used on your specific engine.*

# 12F800

REF. NO.	PART NO.	DESCRIPTION	REF. NO.	PART NO.	DESCRIPTION	REF. NO.	PART NO.	DESCRIPTION
27	691866	Lock-Piston Pin (Used After Code Date 97011200). ----- <b>Note</b> ----- 691588 Lock-Piston Pin (Used Before Code Date 67011300).	35	691270	Spring-Valve (Intake)	50	497465	Manifold-Intake
28	499423	Pin-Piston (Standard) (Used After Code Date 97011200). ----- <b>Note</b> ----- 298909 Pin-Piston (Standard) (Used Before Code Date 97011300). 298908 Pin-Piston (.005" Oversize) (Used Before Code Date 97011300).	36	691270	Spring-Valve (Exhaust)	51	★272199	Gasket-Intake
29	499424	Rod-Connecting (Standard) (Used After Code Date 97011200). ----- <b>Note</b> ----- 490566 Rod-Connecting (Used Before Code Date 97011300). 490743 Rod-Connecting (.020" Undersize) (Used Before Code Date 97011300).	37	694086	Guard-Flywheel	54	691650	Screw (Intake Manifold)
32	691664	Screw (Connecting Rod)	40	692194	Retainer-Valve	55	691421	Housing-Rewind Starter
32A	695759	Screw (Connecting Rod) (Used After Code Date 00042200).	43	691997	Slinger-Governor/Oil ----- <b>Note</b> ----- 691486 Slinger-Governor/Oil Used on Type No(s). 3116.	55A	492831	Housing-Rewind Starter
33	262651	Valve-Exhaust	45	690548	Tappet-Valve	57	491889	Spring-Rewind Starter
34	262652	Valve-Intake	46	691449	Camshaft (Used After Code Date 96060200). ----- <b>Note</b> ----- 492830 Camshaft (Used Before Code Date 96060300).	58	280399	Rope-Starter (Cut To Required Length)
			46A	691459	Camshaft (Counterclockwise) (Used After Code Date 96060200). ----- <b>Note</b> ----- 493738 Camshaft (Counterclockwise) (Used Before Code Date 96060300).	59	692594	Insert-Grip
					691460 Camshaft (Clockwise) (Used After Code Date 96060200). Used on Type No(s). 0860, 2950.	59A	396892	Insert-Grip
					493740 Camshaft (Clockwise) (Used Before Code Date 96060300). Used on Type No(s). 0860, 2950.	60	281434	Grip-Starter Rope (One Piece)
						60A	494212	Grip-Starter Rope (Two Piece)
						60B	393152	Grip-Starter Rope
						65	690837	Screw (Rewind Starter)
						73	691222	Screen-Rotating
						73A	224527	Screen-Rotating
						78	691108	Screw (Flywheel Guard)
						81	691740	Lock-Muffler Screw
						83	691778	Shaft-Auxiliary Drive ----- <b>Note</b> ----- 690522 Shaft-Auxiliary Drive Used on Type No(s). 1170, 2950, 2951. 690527 Shaft-Auxiliary Drive Used on Type No(s). 1141, 1172, 1516.

★ Included in Engine Gasket Set-Ref. No.358.

● Included in Carburetor Overhaul Kit-Ref. No. 121.

◆ Included in Carburetor Gasket Set-Ref. No. 977.

⊘ Included in Valve Gasket Set-Ref. No 1095.

*Illustrations cover a range of engines. Parts shown without corresponding text may not be used on your specific engine.*

REF. NO.	PART NO.	DESCRIPTION	REF. NO.	PART NO.	DESCRIPTION	REF. NO.	PART NO.	DESCRIPTION
94	●493765	Kit-Idle Mixture	117	494870	Jet-Main (Standard)	118	497315	Jet-Main (High Altitude)
95	691636	Screw (Throttle Valve)			(Used After Code Date 96060200).			(Used After Code Date 96060200).
97	493267	Shaft-Throttle (Metal)			----- <b>Note</b> -----			----- <b>Note</b> -----
		----- <b>Note</b> -----			497466 Jet-Main (Standard)			496495 Jet-Main (High Altitude)
		696565 Shaft-Throttle (Plastic)			(Used After Code Date 95102900 and Before Code Date 96060300).			(Used After Code Date 95102900 and Before Code Date 96060300).
98	398185	Kit-Idle Speed (Carburetor)			497315 Jet-Main (Standard)			497348 Jet-Main (High Altitude)
98A	493280	Kit-Idle Speed (Control Bracket)			(Used Before Code Date 95103000).			(Used Before Code Date 95103000).
101	691623	Pin-Shaft						
101A	262626	Pin-Shaft	117A	498977	Jet-Main (Standard)	118A	498981	Jet-Main (High Altitude)
104	●691242	Pin-Float Hinge			(Used After Code Date 96060200).			(Used After Code Date 96060200).
108	691182	Valve-Choke			----- <b>Note</b> -----			----- <b>Note</b> -----
108A	790844	Valve-Choke			493637 Jet-Main (Standard)			496063 Jet-Main (High Altitude)
109	494218	Shaft-Choke			(Used Before Code Date 96060300).			(Used Before Code Date 96060300).
109A	498593	Shaft-Choke			498978 Jet-Main (Standard)			498975 Jet-Main (High Altitude)
		Used on Type No(s). 1910, 1914, 2001, 2017, 2026, 2403, 2404, 2405, 2406, 2407, 2413, 2681, 2682, 3116, 3134.			Used on Type No(s). 1910, 1914, 2017, 2026, 2403, 2404, 2405, 2407, 2681, 2682, 3116, 3134.			Used on Type No(s). 1910, 1914, 2017, 2026, 2403, 2404, 2405, 2407, 2681, 2682, 3116, 3134.
109B	790843	Shaft-Choke			498981 Jet-Main (Standard)			494870 Jet-Main (High Altitude)
					Used on Type No(s). 0727, 1726, 1737, 1928, 1929, 1930, 2001, 2406, 2413.			Used on Type No(s). 0727, 1726, 1737, 1928, 1929, 1930, 2001, 2406, 2413.
			117B	697355	Jet-Main (Standard)	118B	692677	Jet-Main (High Altitude)

★ Included in Engine Gasket Set-Ref. No.358.

● Included in Carburetor Overhaul Kit-Ref. No. 121.

◆ Included in Carburetor Gasket Set-Ref. No. 977.

⊗ Included in Valve Gasket Set-Ref. No 1095.

*Illustrations cover a range of engines. Parts shown without corresponding text may not be used on your specific engine.*

# 12F800

REF. NO.	PART NO.	DESCRIPTION	REF. NO.	PART NO.	DESCRIPTION	REF. NO.	PART NO.	DESCRIPTION
121	498260	Kit-Carburetor Overhaul	137	◆693981	Gasket-Float Bowl	187B	791891	Line-Fuel (Includes Filter) (Used After Code Date 05063000).
125	498170	Carburetor (Used After Code Date 96060200).	144	493824	Pulley/Spring Assembly			----- <b>Note</b> -----
		----- <b>Note</b> -----	146	690979	Key-Timing			<b>692042</b> Line-Fuel (Includes Filter) (Used Before Code Date 05070100).
		<b>498254</b> Carburetor (Used Before Code Date 96060300).	159	691753	Bracket-Air Cleaner Primer			<b>187C</b> <b>791875</b> Line-Fuel (Molded) (Used After Code Date 05063000).
125A	498965	Carburetor (Used After Code Date 96060200).	163	◆272653	Gasket-Air Cleaner			----- <b>Note</b> -----
		----- <b>Note</b> -----	187	791766	Line-Fuel (Cut to Required Length) (Used After Code Date 05063000).			<b>696292</b> Line-Fuel (Molded) (Used Before Code Date 05070100).
		<b>494217</b> Carburetor (Used Before Code Date 96060300).			----- <b>Note</b> -----			<b>691050</b> Line-Fuel (Cut to Required Length) (Used Before Code Date 05070100).
		<b>499059</b> Carburetor Used on Type No(s). 1910, 1914, 2017, 2026, 2403, 2404, 2405, 2407, 2681, 2682, 3116, 3134.			<b>691050</b> Line-Fuel (Cut to Required Length) (Used Before Code Date 05070100).			<b>791745</b> Line-Fuel (Cut to Required Length) (Used After Code Date 05063000).
		<b>790978</b> Carburetor Used on Type No(s). 0727, 1726, 1737, 1928, 1929, 1930.			<b>791745</b> Line-Fuel (Cut to Required Length) (Used After Code Date 05063000).			Used on Type No(s). 0853,1718,2612,2613.
		<b>792253</b> Carburetor Used on Type No(s). 2001, 2406, 2413.			<b>296004</b> Line-Fuel (Cut to Required Length) (Used Before Code Date 05070100).			<b>791870</b> Line-Fuel (Molded) (Used After Code Date 05063000).
125B	790845	Carburetor			<b>296004</b> Line-Fuel (Cut to Required Length) (Used Before Code Date 05070100).			Used on Type No(s). 0853,1718,2612, 2613
127	◆694468	Plug-Welch			Used on Type No(s). 0853,1718,2612,2613.			<b>698164</b> Line-Fuel (Molded) (Used Before Code Date 05070100).
130	696564	Valve-Throttle			Used on Type No(s). 0853,1718,2612,2613.			Used on Type No(s). 0853,1718,2612, 2613
		----- <b>Note</b> -----	187A	791873	Line-Fuel (Molded) (Used After Code Date 05063000).			----- <b>Note</b> -----
		<b>691203</b> Valve-Throttle Used on Type No(s). 1910, 1914, 2017, 2026, 2403, 2404, 2405, 2407, 2681, 2682, 3116.			----- <b>Note</b> -----			<b>188</b> <b>690877</b> Screw (Control Bracket)
130A	691181	Valve-Throttle			<b>691371</b> Line-Fuel (Molded) (Used Before Code Date 05070100).			<b>190</b> <b>690940</b> Screw (Fuel Tank)
133	398187	Float-Carburetor						<b>202</b> <b>691829</b> Link-Mechanical Governor
134	◆398188	Kit-Needle/Seat						

★ Included in Engine Gasket Set-Ref. No.358.

● Included in Carburetor Overhaul Kit-Ref. No. 121.

◆ Included in Carburetor Gasket Set-Ref. No. 977.

⊘ Included in Valve Gasket Set-Ref. No 1095.

*Illustrations cover a range of engines. Parts shown without corresponding text may not be used on your specific engine.*

REF. NO.	PART NO.	DESCRIPTION	REF. NO.	PART NO.	DESCRIPTION	REF. NO.	PART NO.	DESCRIPTION		
<b>209</b>	<b>691292</b>	Spring-Governor ----- <b>Note</b> ----- <b>691851</b> Spring-Governor Used on Type No(s). 0820, 0838, 0842, 0843, 0847, 0875, 0876, 0906, 0910, 0919, 1147, 1160, 1175, 1187, 1191, 1312, 1317, 1328, 1379, 1520, 1559, 1560, 1562, 1568, 1573, 1911, 1912, 1918, 1925, 1940, 1956, 1975, 1976, 2001, 2006, 2010, 2011, 2013, 2021, 2043, 2048, 2310, 2373, 2374, 2403, 2404, 2405, 2406, 2413, 3112, 3117, 3118, 3120, 3179, 3180, 3183, 3184, 3185, 3186, 3188. <b>691290</b> Spring-Governor Used on Type No(s). 1910, 1914, 2026. <b>691291</b> Spring-Governor Used on Type No(s). 0848, 0878, 0880, 0890, 1189, 1733, 1948, 1978, 1980. <b>691852</b> Spring-Governor Used on Type No(s). 1210, 1212, 1380, 1381, 1770, 1923, 1924, 1927, 1941, 1944, 1955, 1967, 1986, 1987, 2004, 2005, 2007, 2046, 2329, 2357, 2375, 2376, 2377, 2378, 2379, 2614, 2687, 3128, 3130, 3135, 3168, 3181.			<b>699056</b> Spring-Governor Used on Type No(s). 0600, 0610, 0625, 0630, 0632, 0639, 0640, 0808, 0817, 0821, 0823, 0826, 0829, 0836, 0839, 0853, 0883, 0899, 0909, 1108, 1119, 1128, 1141, 1145, 1148, 1152, 1153, 1156, 1172, 1199, 1313, 1315, 1329, 1508, 1516, 1521, 1574, 1700, 1725, 1732, 1908, 1915, 1917, 1943, 1999, 2003, 2008, 2009, 2022, 2051, 2052, 2308, 2319, 2353, 2409, 2608, 2674, 2684, 2686, 3113, 3115, 3187. <b>690241</b> Spring-Governor Used on Type No(s). 3116, 3134. <b>693187</b> Spring-Governor Used on Type No(s). 2681, 2682, 2407.			<b>209A</b>	<b>691835</b>	Spring-Governor ----- <b>Note</b> ----- <b>690568</b> Spring-Governor Used on Type No(s). 1192. <b>691275</b> Spring-Governor Used on Type No(s). 0833, 0835, 1110, 1173, 1174, 1581. <b>691833</b> Spring-Governor Used on Type No(s). 0837, 0841, 0869, 1176. <b>691834</b> Spring-Governor Used on Type No(s). 0822, 1188, 1201, 1215. <b>690569</b> Spring-Governor Used on Type No(s). 0637, 0638, 0645, 0818, 0819, 0918, 1159, 1210, 1212, 1213, 1214, 1220, 1221, 1327, 1941, 1944, 2329, 2357, 2377, 2378, 3168. <b>691276</b> Spring-Governor Used on Type No(s). 0892, 0917. <b>262663</b> Spring-Governor Used on Type No(s). 0642, 0644, 0911. <b>791157</b> Spring-Governor Used on Type No(s). 1726, 1727, 1737, 1928, 1929, 1930.

★ Included in Engine Gasket Set-Ref. No.358.

● Included in Carburetor Overhaul Kit-Ref. No. 121.

◆ Included in Carburetor Gasket Set-Ref. No. 977.

⊘ Included in Valve Gasket Set-Ref. No 1095.

*Illustrations cover a range of engines. Parts shown without corresponding text may not be used on your specific engine.*

# 12F800

REF. NO.	PART NO.	DESCRIPTION	REF. NO.	PART NO.	DESCRIPTION	REF. NO.	PART NO.	DESCRIPTION
217	690354	Spring-choke Return	268	691025	Casing-Control Wire (72" Long) (Cut to Required Length)	304	493293	Housing-Blower
222	790143	Bracket-Control (Remote/Manual Friction)(Primer)						----- <b>Note</b> -----
222A	692021	Bracket-Control (Remote Choke A Matic, Non Compliance)						<b>493294</b> Housing-Blower
		----- <b>Note</b> -----						Used on Type No(s).
		<b>790982</b> Bracket-Control						0645,0653,0817,0837,
		Used on Type No(s).	269	691026	Wire-Control (Cut to Required Length)			0841,0842,0843,0847,
		1726, 1727, 1737,						0859,0862,0869,0875,
		1928, 1929, 1930.						0879,0882,0883,0905,
222C	692150	Bracket-Control (Remote/Manual Friction)						0906,0908,0910,0917,
		(Variable Speed and 5 Position Manual Choke)	270	691027	Nut (Control Wire Casing)			0919,1160,1161,1162,
								1167,1175,1176,1177,
			271	691028	Lever-Control			1178,1181,1182,1186,
			276	271716	Washer-Sealing			1187,1189,1191,1192,
			276A	280973	Washer-Sealing (Pawl Friction Plate)			1198,1199,1312,1314,
								1328,1329,1360,1379,
222D	692467	Bracket-Control (Remote/Manual Friction)						1524,1558,1559,1560,
		(Variable Speed and 5 Position Manual Choke, Without Stopswitch)	287	690940	Screw (Dipstick Tube)			1562,1568,1570,1571,
								1573,1580,1581,1720,
			291	790830	Thermostat			1733,1910,1914,1917,
			300	496106	Muffler (Tuned)			1918,1940,1943,1956,
								1975,1982,2001,2003,
								2006,2010,2013,2017,
								2023,2026,2029,2031,
								2032,2035,2036,2043,
								2048,2049,2051,2052,
								2325,2356,2403,2404,
								2405,2406,2413,2407,
222E	692982	Bracket-Control (Fixed Speed and 5 Position Manual Choke)	300A	494343	Muffler (Square Lo Tone)			2624,2625,2627,2671,
								2681,2682,2686,3110,
			300B	497681	Muffler (Catalyst)			3112,3116,3117,3120,
								3129,3134,3179,3180,
227	690783	Lever-Governor Control						3181,3182,3184.
231	691636	Screw (Choke Valve)						<b>695892</b> Housing-Blower
236	691826	Link-Lockout						Used on Type No(s).
240	298090	Filter-Fuel						1220,1221,1721,1722,
259	691223	Bracket-Casing Clamp						1723,1737,1904,1932,
265	690798	Clamp-Casing						1946,1947,1949,1952,
265A	691024	Clamp-Casing						1961,1962,2041,2411,
267	691044	Screw (Casing Clamp)						2628,3135,3136.
								<b>696298</b> Housing-Blower
								Used on Type No(s).
								1718,1925,1958,2027,
								2038,2044,2046,2327,
								2329,2611,2612,2613,
								2685,2687,3186,3322,
								3324.
								<b>791291</b> Housing-Blower
								Used on Type No(s).
								2047.

★ Included in Engine Gasket Set-Ref. No.358.

● Included in Carburetor Overhaul Kit-Ref. No. 121.

◆ Included in Carburetor Gasket Set-Ref. No. 977.

⊘ Included in Valve Gasket Set-Ref. No 1095.

*Illustrations cover a range of engines. Parts shown without corresponding text may not be used on your specific engine.*



REF. NO.	PART NO.	DESCRIPTION	REF. NO.	PART NO.	DESCRIPTION	REF. NO.	PART NO.	DESCRIPTION
305	691108	Screw (Blower Housing)	443A	692523	Screw (Air Cleaner Primer Base)	592	690800	Nut (Rewind Starter)
306	690450	Shield-Cylinder	445A	491588	Filter-Air Cleaner Cartridge	597	691696	Screw (Pawl Friction Plate)
306A	790836	Shield-Cylinder	455	695161	Cup-Flywheel	601	95162	Clamp-Hose (Green)
307	690345	Screw (Cylinder Shield)	456	692299	Plate-Pawl Friction	601A	691038	Clamp-Hose (Black)
309	695550	Motor-Starter	456A	224321	Plate-Pawl Friction	604	691757	Cover-Control
310	692327	Bolt (Starter Motor)	459	281505	Pawl-Ratchet	604A	691344	Cover-Control
332	690662	Nut (Flywheel)	459A	492833	Pawl-Ratchet	604B	790703	Cover-Control
333	802574	Armature-Magneto	467	790842	Knob-Air Cleaner	608	497680	Starter-Rewind
334	691061	Screw (Magneto Armature)	474	691991	Alternator	608A	497598	Starter-Rewind
337	802592	Plug-Spark (Resistor)	497	690664	Screw (Stopswitch Bracket)	613	691340	Screw (Muffler)
		----- <b>Note</b> -----	500	691086	Washer (Key Switch)			----- <b>Note</b> -----
		<b>697451</b> Plug-Spark (EMS)	505	691251	Nut (Governor Control Lever)			<b>790833</b> Screw (Muffler) Used on Type No(s). 2047.
346	690661	Screw (Spark Arrestor)	507	691972	Insulator	613A	691653	Screw (Muffler)
347	691396	Switch-Rocker	510	494147	Drive-Starter	613B	691114	Screw (Muffler)
356	692390	Wire-Stop	513	692358	Clutch-Drive	615	690340	Retainer-Governor Shaft
356A	690650	Wire-Stop	520	691084	Terminal-Ground	616	698801	Crank-Governor
356B	693010	Wire-Stop	523	495264	Dipstick	617★◆270344	Seal-O Ring (Intake Manifold)	
356C	690808	Wire-Stop	524	★692296	Seal-Dipstick Tube	621	692310	Switch-Stop
356D	496381	Wire-Stop	525	495265	Tube-Dipstick	627	692872	Bracket-Stopswitch
358	497316	Gasket Set-Engine	529	691923	Grommet	633 ◆◆691321	Seal-Choke/Throttle Shaft	
359	691077	Washer (Ground Terminal)	529	691923	Grommet	633A ◆◆693867	Seal-Choke/Throttle Shaft	
363	19069	Pulley-Flywheel	544	690786	Armature-Starter	635	66538	Boot-Spark Plug
365	691688	Screw (Carburetor)	545	492919	Washer Set (Starter Motor)	651	691660	Screw (Starter Gear Cover)
373	691612	Nut (Ground Terminal)	562	92613	Bolt (Governor Control Lever)	664	691087	Nut (Key Switch)
374	691074	Washer (Camshaft)	564	690664	Screw (Control Cover)	668	★493823	Spacer (Includes 2)
377	692193	Key-Woodruff	564A	691142	Screw (Control Cover)	670	692294	Spacer-Fuel Tank
383	89838	Wrench-Spark Plug	564B	698589	Screw (Control Cover)			
404	690272	Washer (Governor Crank)	578	398153	Wire Assembly			
425A	690670	Screw (Air Cleaner Cover)	584	697734	Cover-Breather Passage			
			585	★691879	Gasket-Breather Passage			

★ Included in Engine Gasket Set-Ref. No.358.

● Included in Carburetor Overhaul Kit-Ref. No. 121.

◆ Included in Carburetor Gasket Set-Ref. No. 977.

⊘ Included in Valve Gasket Set-Ref. No 1095.

*Illustrations cover a range of engines. Parts shown without corresponding text may not be used on your specific engine.*

# 12F800

REF. NO.	PART NO.	DESCRIPTION	REF. NO.	PART NO.	DESCRIPTION	REF. NO.	PART NO.	DESCRIPTION
676	396548	Deflector-Muffler (Louvered)	784	692341	Cover-Starter Gear	832A	691424	Guard-Muffler
676A	393756	Deflector-Muffler (Side Out) (Shallow)	785	692352	Gasket-Starter Cover	832B	497683	Guard-Muffler
676B	397931	Deflector-Muffler (Direct Out)	789	696546	Harness-Wiring (Used After Code Date 00040600).	836	690664	Screw (Muffler Guard)
676C	493871	Deflector-Muffler (Side Out) (Extended) (Horseshoe)			----- <b>Note</b> -----	836A	690661	Screw (Muffler Guard)
676D	497682	Deflector-Muffler (For TUV)			690790 Harness-Wiring (Used Before Code Date 00040700).	836B	691147	Screw (Muffler Guard)
677	690661	Screw (Muffler Deflector)	789A	695552	Harness-Wiring (Used After Code Date 00040600).	842	★691031	Seal-O Ring (Dipstick Tube)
678	224278	Spacer-Rewind			----- <b>Note</b> -----	843	691884	Sleeve-Lever (Speed Control)
684	690345	Screw (Breather Passage Cover)			691372 Harness-Wiring (Used Before Code Date 00040700).	843A	691895	Sleeve-Lever (Choke)
689	691855	Spring-Friction	789B	494544	Harness-Wiring	847	692017	Dipstick/Tube Assembly
689A	262625	Spring-Friction (Rewind Starter)			----- <b>Note</b> -----	851	493880	Terminal-Spark Plug
692	690572	Spring-Detent			696547 Harness-Wiring Used on Type No(s). 0644, 0654, 0918, 1209, 1210, 1212, 1213, 1324, 1327, 1719, 1735, 1903, 1924, 1930, 1934, 1936, 1944, 1950, 1951, 1962, 2005, 2377, 2614, 3127, 3132, 3510.	853	695268	Adapter-Wire
697	691127	Screw (Drive Cap)			----- <b>Note</b> -----			----- <b>Note</b> -----
715	691147	Screw (Shaft Stop)			696547 Harness-Wiring Used on Type No(s). 0644, 0654, 0918, 1209, 1210, 1212, 1213, 1324, 1327, 1719, 1735, 1903, 1924, 1930, 1934, 1936, 1944, 1950, 1951, 1962, 2005, 2377, 2614, 3127, 3132, 3510.			698471 Adapter-Wire Used on Type No(s). 3129, 3130.
718	690959	Pin-Locating	801	690782	Cap-Drive	869	691155	Seat-Valve (Intake)
721	690449	Stop-Shaft	802	695267	Cap-End (Used After Code Date 00040600).	870	690380	Seat-Valve (Exhaust)
741	790345	Gear-Timing (Use Without Woodruff Key)			----- <b>Note</b> -----	871	262001	Bushing-Valve Guide (Exhaust)
		----- <b>Note</b> -----			695975 Cap-End (Used Before Code Date 00040700).			----- <b>Note</b> -----
		691830 Gear-Timing (Uses Woodruff Key)	803	695266	Housing-Starter (Used After Code Date 00040600).			63709 Bushing-Valve Guide (Intake)
742	93941	Retainer-E Ring			----- <b>Note</b> -----	883	★Ø691881	Gasket-Exhaust
743	691772	Gear-Drive (Counterclockwise)			695975 Housing-Starter (Used Before Code Date 00040700).	892	690646	Switch-Key
		----- <b>Note</b> -----			----- <b>Note</b> -----	910	691094	Stud (Alternator)
		690516 Gear-Drive (Clockwise) Used on Type No(s). 0860, 2950.			695975 Housing-Starter (Used Before Code Date 00040700).	921	497233	Cover-Blower Housing
745	691648	Screw (Brake)			----- <b>Note</b> -----	921A	695886	Cover-Blower Housing
776	396526	Guide-Rope			695975 Housing-Starter (Used Before Code Date 00040700).	921B	692931	Cover-Blower Housing (Black)
783	691918	Gear-Pinion (Starter)			----- <b>Note</b> -----			----- <b>Note</b> -----
783A	691269	Gear-Pinion	832	499034	Guard-Muffler			692932 Cover-Blower Housing (Red)

★ Included in Engine Gasket Set-Ref. No.358.

● Included in Carburetor Overhaul Kit-Ref. No. 121.

◆ Included in Carburetor Gasket Set-Ref. No. 977.

Ø Included in Valve Gasket Set-Ref. No 1095.

Illustrations cover a range of engines. Parts shown without corresponding text may not be used on your specific engine.

REF. NO.	PART NO.	DESCRIPTION	REF. NO.	PART NO.	DESCRIPTION	REF. NO.	PART NO.	DESCRIPTION
922	691831	Spring-Brake ----- <b>Note</b> ----- 692135 Spring-Brake Used on Type No(s). 1721, 1722, 1723, 1737, 1904, 1932, 1946, 1947, 1949, 1952, 1961, 2041, 2411, 2628, 3135, 3165, 3136.	968B	692298	Cover-Air Cleaner	1059	692311	Kit-Screw/Washer ----- <b>Note</b> -----
			969	690700	Screw (Blower Housing Cover)			696293 Kit-Screw/ Washer (Touch N Mow)
			969A	691138	Screw (Blower Housing Cover)	1095	498528	Gasket Set-Valve
			970	691669	Screw (Air Cleaner Primer Bracket)	1102	691255	Pilot-Guide
			972	699374	Tank-Fuel (Plastic)	1119	691648	Screw (Alternator)
923	691994	Brake ----- <b>Note</b> ----- 695891 Brake Used on Type No(s). 1721, 1722, 1723, 1737, 1904, 1932, 1946, 1947, 1949, 1952, 1961, 2041, 2411, 2628, 3135, 3165, 3136.			----- <b>Note</b> ----- 699387 Tank-Fuel (Plastic) Used on Type No(s). 1925, 1958, 2027, 2038, 2044, 2046, 2327, 2329, 2611, 2612, 2613, 2685, 2687, 3186, 3322, 3324.	1134	224322	Washer (Pawl Friction Plate)
			975	493640	Bowl-Float	1160	691627	Screw (Interlock Switch)
925	690595	Cover-Linkage	976	694395	Primer-Carburetor	1210	498144	Pulley/Spring Assembly (Pulley)
930	691919	Guard-Rewind (Round)	977	498261	Gasket Set-Carburetor	1211	498144	Pulley/Spring Assembly (Spring)
930A	691345	Guard-Rewind (Tear Drop)	990	691959	Key Set	1236	695959	Starter-Mechanical (Touch N Mow) (Do Not Service Individual Parts, Only As A Whole)
930C	690598	Guard-Rewind (Trim Ring)	990A	695951	Key Set			----- <b>Note</b> ----- 699914 Starter- Mechanical (Touch N Mow) (Do Not Service Individual Parts, Only As A Whole) Used on Type No(s). 1958, 2685.
935	499421	Switch-Interlock	994	398067	Arrestor-Spark	1330	270962	Manual-Repair
937	691325	Spline-Starter	994A	692957	Arrestor-Spark	1386	790848	Vane-Air (Autochoke System)
940	691004	Screw (Casing Clamp Bracket)	1005	691346	Fan-Flywheel	1387	790849	Spring-Air Vane
			1009	696255	Screw (Starter Motor)	1388	790850	Screw (Air Vane) (Autochoke System)
946	691738	Stop-Rope	1019	494256	Kit-Label ----- <b>Note</b> -----			
957	397974	Cap-Fuel Tank (Plastic)			790231 Kit-Label (Touch N Mow)			
958	698183	Valve-Fuel Shut Off (Plastic)	1036		Label-Emission (Available From An Authorized Briggs & Statton Service Dealer)			
966A	496116	Base-Air Cleaner Primer ----- <b>Note</b> ----- 792040 Base-Air Cleaner Used on Type No(s). 2047.	1058	276171	Owner's Manual ----- <b>Note</b> ----- 274940 Owner's Manual (Touch N Mow)			
967A	493537	Filter-Pre Cleaner						

★ Included in Engine Gasket Set-Ref. No.358.

● Included in Carburetor Overhaul Kit-Ref. No. 121.

◆ Included in Carburetor Gasket Set-Ref. No. 977.

⊘ Included in Valve Gasket Set-Ref. No 1095.

*Illustrations cover a range of engines. Parts shown without corresponding text may not be used on your specific engine.*