

12E800 to 12E899

Illustrated Parts List

Model Series

12E800 to 12E899

TYPE NUMBERS

0620, 0653, 0808,
0811, 0812, 0816,
0819, 0831, 0833,
0835, 0836, 0837,
0839, 0885, 0886,
0887, 1108, 1114,
1115, 1129, 1135,
1517.

TO FIND

THE CORRECT NUMBER OF THE PART YOU NEED: FOLLOW THE INSTRUCTIONS BELOW

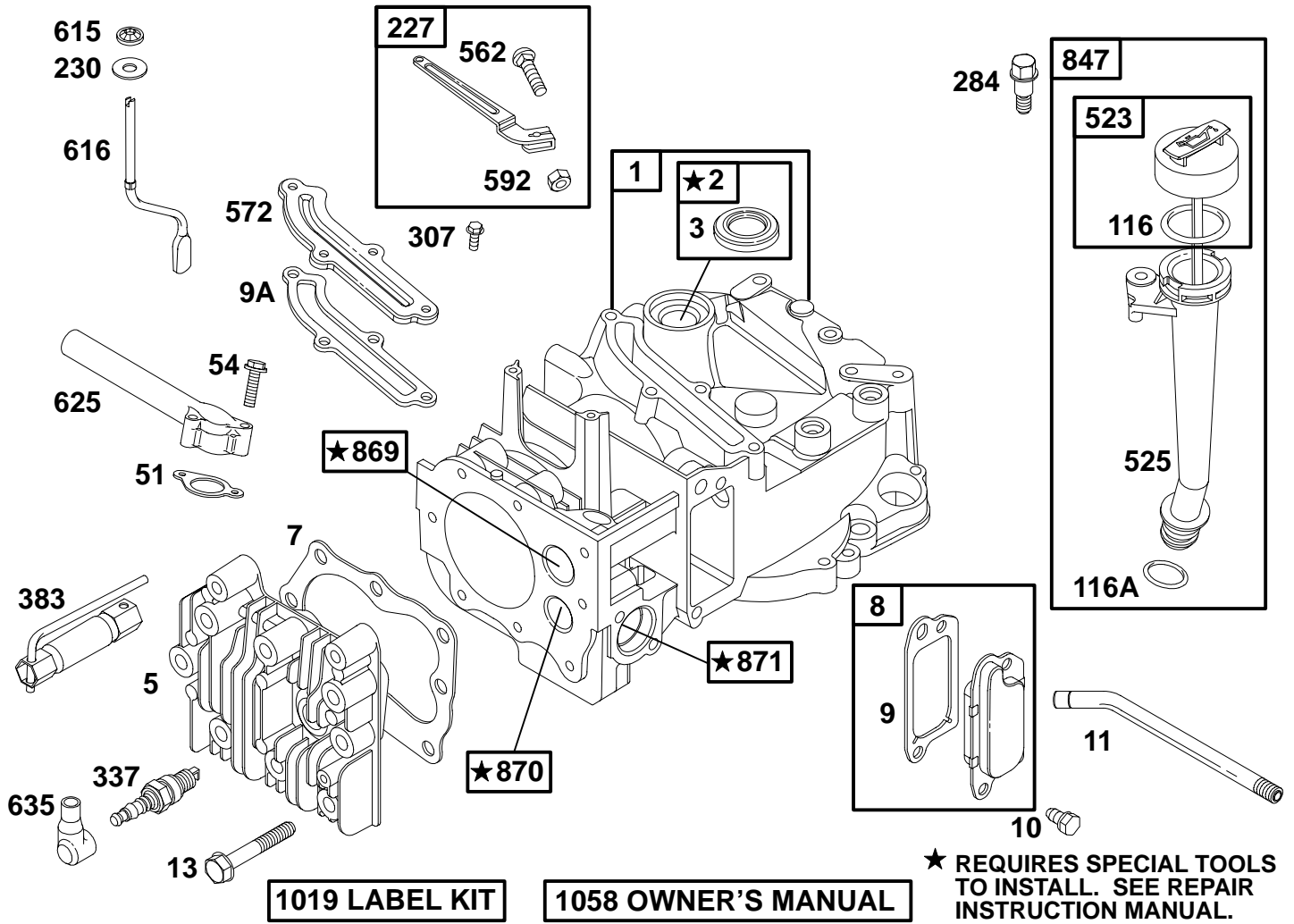
- A. Refer to Engine Model, Type and Code Number that is stamped on the blower housing of engine. Engine type numbers such as 0123 01 are listed only as 0123 in most instances. The two digits (01 or 02, etc.) to the right of the space may be required for more accurate parts identification in some instances. Select the Illustrated Parts List covering the correct Model Series and Type Number.
- B. Refer to the Illustrations and compare the original part with Illustration. The number next to the illustration is the Reference Number. Assemblies include all parts shown in frames. All parts shown in assembly frames having individual reference numbers can be purchased separately.
- C. After the Reference Number has been identified, refer to the Numerical text, where Reference and Primary Part Number are listed. **THE PRIMARY PART IS USED ON ALL TYPE NUMBERS EXCEPT THOSE TYPE NUMBERS UNDER "NOTE."**
- D. If a "Note" appears below the Primary Part Number, it means that this part differs from the Primary Part for certain types. If your Type number is listed under "Note," order the part referred to at the "Note."
- E. If your Engine Type Number does not appear after any part number listed under "Note," use the Primary Part Number.
- F. For Engine Type Numbers not covered by this book, check other Parts Lists having the same engine model or contact your source of supply.

PRINTED IN U.S.A.



COPYRIGHT by BRIGGS & STRATTON CORPORATION
All rights reserved. No part of this material may be reproduced or transmitted, in any form or by any means, electronic or mechanical, including photocopying, recording or by any information storage and retrieval system, without permission in writing from Briggs & Stratton Corporation.

12E800 to 12E899



★ REQUIRES SPECIAL TOOLS TO INSTALL. SEE REPAIR INSTRUCTION MANUAL.

1019 LABEL KIT

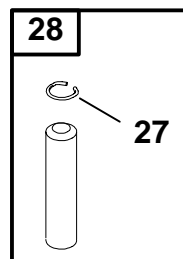
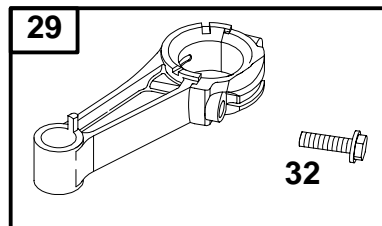
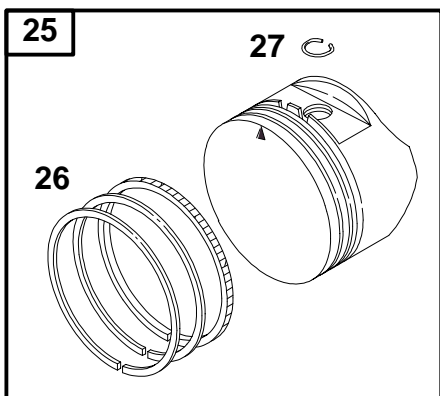
1058 OWNER'S MANUAL

REF. NO.	PART NO.	DESCRIPTION	REF. NO.	PART NO.	DESCRIPTION	REF. NO.	PART NO.	DESCRIPTION
1	493260	Cylinder Assembly	116A	★280966	Seal-O Ring	625	281085	Manifold-Intake
2	293708	Bushing	227	492349	Lever-Governor	635	66538	Boot-Spark Plug
3	★299819	Seal-Oil	230	67072	Washer	847	495263	Dipstick/Tube Assembly
5	214626	Head-Cylinder	284	94511	Screw-Shoulder	869	213512	Seat-Valve (Intake)
		Note	307	94515	Screw-Hex.	870	213513	Seat-Valve (Exhaust)
		214349 Head-Cylinder (Used Before Code Date 96060300).	337	802592	Plug-Spark	871	262001	Bushing-Guide (Exhaust Valve)
7	★Ø272916	Gasket-Cylinder Head	383	89838	Wrench-Spark Plug			Note
8	495786	Breather Assembly	523	495264	Dipstick			63709 Bushing-Guide (Intake Valve)
9	★Ø272481	Gasket-Breather	525	495265	Tube-Oil Fill	1019	494256	Label Kit
9A	★272238	Gasket-Breather	562	92613	Bolt-Governor Lever	1058	272262	Owner's Manual
10	94650	Screw-Hex.	572	224328	Baffle-Cylinder			
11	231933	Tube-Breather	592	231082	Nut-Hex.			
13	94547	Screw-Hex.	615	94474	Retainer			
51	★272199	Gasket-Intake	616	263175	Crank-Governor			
54	94526	Screw-Hex.			Note			
116	★280393	Seal-O Ring			262578 Crank-Governor (Used Before Code Date 96090200).			

★ Included in Gasket Set-Ref. No. 358.
● Included in Carburetor Kit-Ref. 121.

◆ Included in Carburetor Gasket Set-Ref. 977.
Ø Included in Valve Overhaul Gasket Set-Ref. No. 1095.

12E800 to 12E899

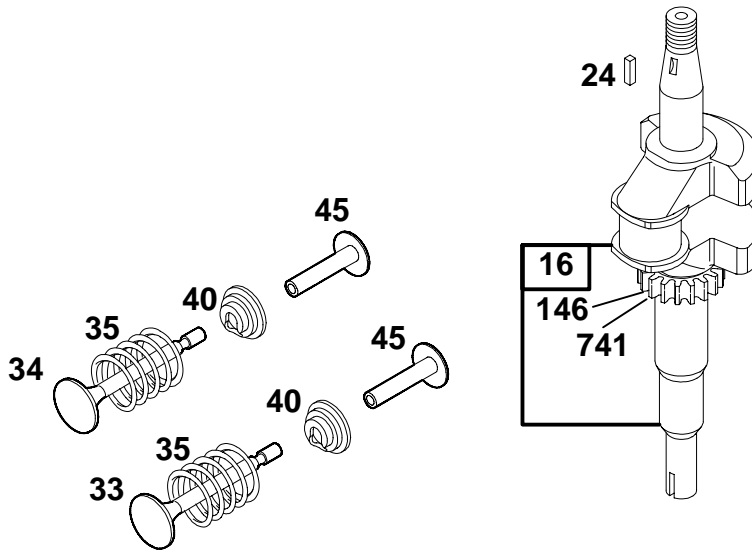


REF. NO.	PART NO.	DESCRIPTION	REF. NO.	PART NO.	DESCRIPTION	REF. NO.	PART NO.	DESCRIPTION
25	499429	Piston Assembly (Standard) Note 493262 Piston Assy. (Standard) (Used Before Code Date 97011300). 493385 Piston Assy. (.010" O.S.) (Used Before Code Date 97011300). 493386 Piston Assy. (.020" O.S.) (Used Before Code Date 97011300). 493387 Piston Assy. (.030" O.S.) (Used Before Code Date 97011300).	26	499425	Ring Set (Standard) Note 493261 Ring Set (Standard) (Used Before Code Date 97011300). 493388 Ring Set (.010" O.S.) (Used Before Code Date 97011300). 493389 Ring Set (.020" O.S.) (Used Before Code Date 97011300). 493390 Ring Set (.030" O.S.) (Used Before Code Date 97011300).	28	499423	Pin-Piston (Standard) Note 298909 Pin-Piston (Standard) (Used Before Code Date 97011300). 298908 Pin-Piston (.005" O.S.) (Used Before Code Date 97011300).
			27	263190	Lock-Piston Pin 26026 Lock-Piston Pin (Used Before Code Date 97011300).	29	499424	Rod-Connecting (Standard) Note 490566 Rod-Connecting (Standard) (Used Before Code Date 97011300). 490743 Rod-Connecting (.020" Undersize) (Used Before Code Date 97011300).
						32	94699	Screw-Connecting Rod

★ Included in Gasket Set-Ref. No. 358.
● Included in Carburetor Kit-Ref. 121.

◆ Included in Carburetor Gasket Set-Ref. 977.
⊗ Included in Valve Overhaul Gasket Set-Ref. No. 1095.

12E800 to 12E899

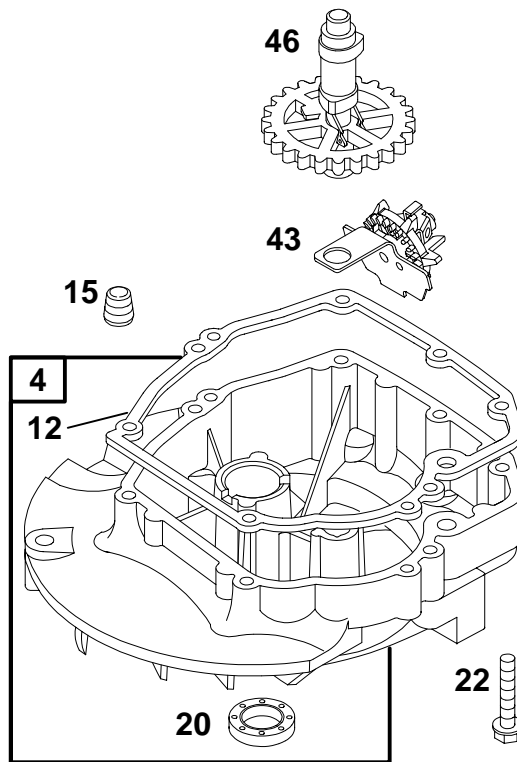


REF. NO.	PART NO.	DESCRIPTION	REF. NO.	PART NO.	DESCRIPTION	REF. NO.	PART NO.	DESCRIPTION
16	498565	Crankshaft (Used After Code Date 97011200).		493363	Crankshaft (Used Before Code Date 97011300). Used on Type No(s). 0811, 1135.		498573	Crankshaft (Used After Code Date 97011200). Used on Type No(s). 0620, 0653.
		493362 Crankshaft (Used Before Code Date 97011300).		498569	Crankshaft (Used After Code Date 97011200). Used on Type No(s). 2626.		494546	Crankshaft (Used Before Code Date 97011300). Used on Type No(s). 0620, 0653.
		Note		493946	Crankshaft (Used Before Code Date 97011300). Used on Type No(s). 2626.		498576	Crankshaft (Used After Code Date 97011200). Used on Type No(s). 1114.
		498562 Crankshaft (Used After Code Date 97011200). Used on Type No(s). 0808, 0833, 0836, 1108, 1129.		498571	Crankshaft (Used After Code Date 97011200). Used on Type No(s). 0812, 1517.		496809	Crankshaft (Used Before Code Date 97011300). Used on Type No(s). 1114.
		493282 Crankshaft (Used Before Code Date 97011300). Used on Type No(s). 0808, 0833, 0836, 1108, 1129.		493947	Crankshaft (Used Before Code Date 97011300). Used on Type No(s). 0812, 1517.	24	222698	Key-Flywheel
		498566 Crankshaft (Used After Code Date 97011200). Used on Type No(s). 0811, 1135.				33	262651	Valve-Exhaust
						34	262652	Valve-Intake
						35	262224	Spring-Valve
						40	93312	Retainer-Valve
						45	262204	Tappet-Valve
						146	94388	Key-Timing
						741	262598	Gear-Timing

★ Included in Gasket Set-Ref. No. 358.
● Included in Carburetor Kit-Ref. 121.

◆ Included in Carburetor Gasket Set-Ref. 977.
⊗ Included in Valve Overhaul Gasket Set-Ref. No. 1095.

12E800 to 12E899

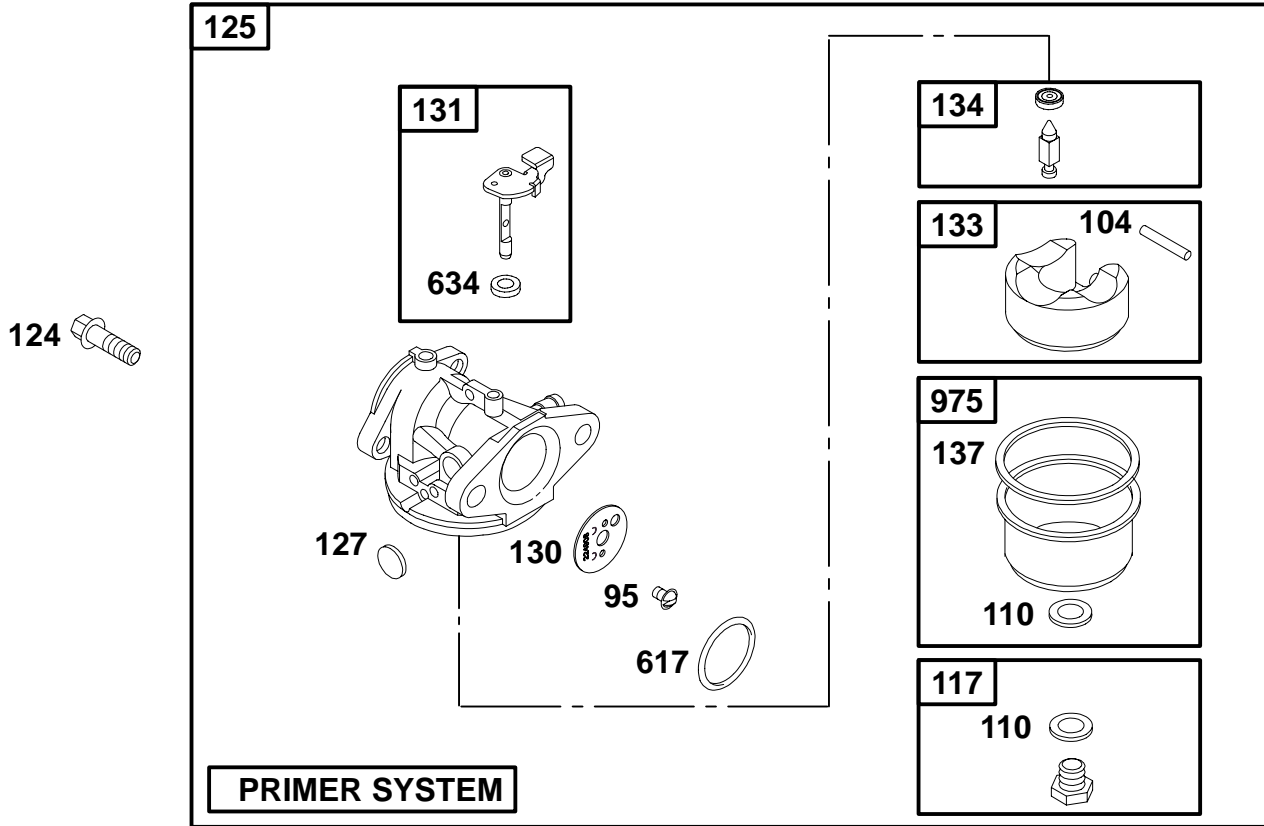


REF. NO.	PART NO.	DESCRIPTION	REF. NO.	PART NO.	DESCRIPTION	REF. NO.	PART NO.	DESCRIPTION
4	493279	Sump-Engine	22	94220	Screw-Hex.	46	498275	Gear-Cam
12	★272198	Gasket-Crankcase			Note			Note
15	94720	Plug-Oil Drain			94612 Screw-Hex.			492830 Gear-Cam
20	★399781	Seal-Oil			One Used in Hole			(Used Before Code
			43	493737	Governor/Oil Slinger			Date 96060300).

★ Included in Gasket Set-Ref. No. 358.
 ● Included in Carburetor Kit-Ref. 121.

◆ Included in Carburetor Gasket Set-Ref. 977.
 ⌀ Included in Valve Overhaul Gasket Set-Ref. No. 1095.

12E800 to 12E899

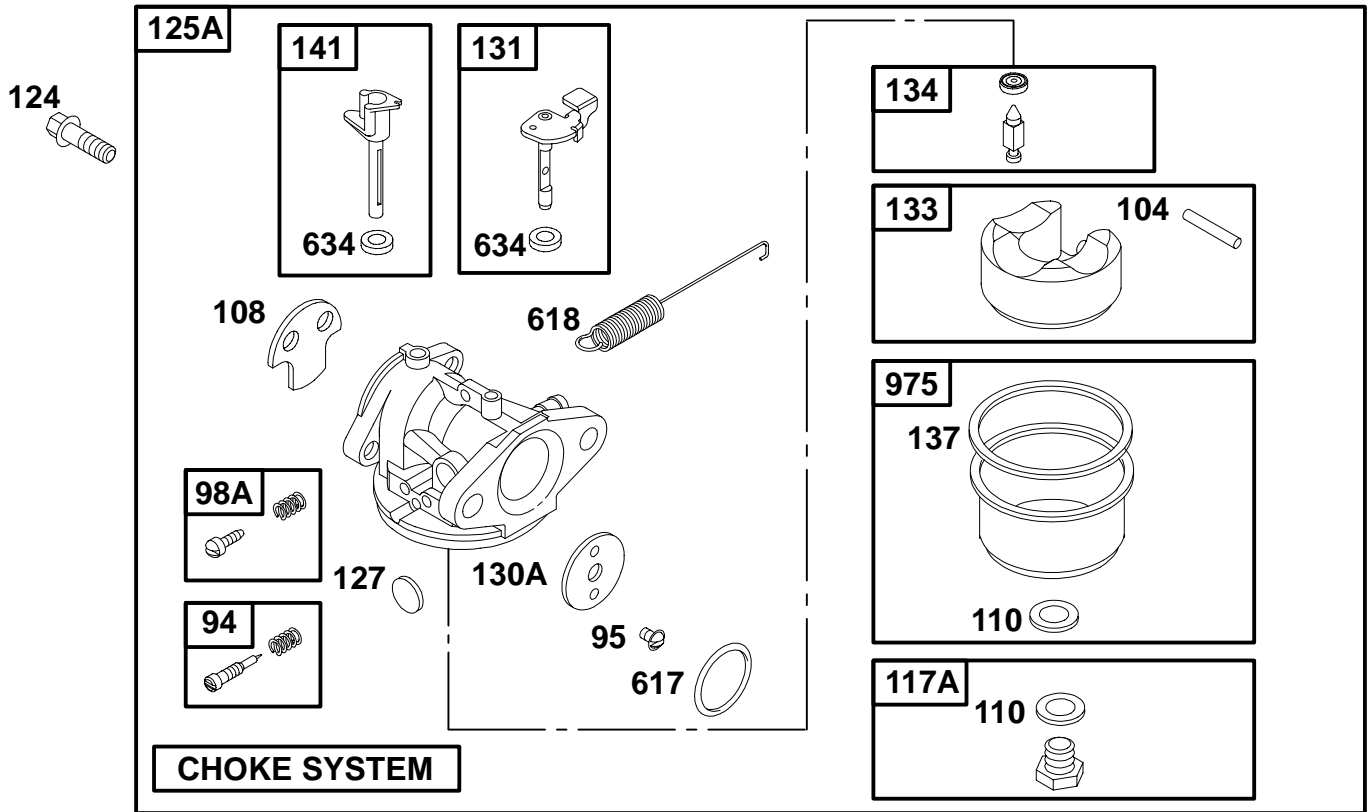


REF. NO.	PART NO.	DESCRIPTION	REF. NO.	PART NO.	DESCRIPTION	REF. NO.	PART NO.	DESCRIPTION
95	94098	Screw—Round Head	124	94525	Screw—Hex.	131	493267	Shaft—Throttle
104	●231371	Pin—Float Hinge	125	498254	Carburetor (Used After Code Date 95102900).	133	398187	Float—Carburetor
110	◆	Washer (Sold in Kit Only)			Note	134	●398188	Valve—Needle (Includes Seat)
117	497466	Jet—Main (Standard) (Used After Code Date 95102900).			497314 Carburetor (Used Before Code Date 95103000).	137	◆	Gasket—Float Bowl (Sold in Kit Only)
		Note			498170 Carburetor (Used After Code Date 96060200).	617	◆270344	Seal—Intake Manifold
		496495 Jet—Main (High Altitude) (Used After Code Date 95102900).	127	●	Plug—Welch (Sold in Kit Only)	634	◆	Washer (Sold in Kit Only)
		497315 Jet—Main (Standard) (Used Before Code Date 95103000).	130	224908	Valve—Throttle	975	493640	Bowl—Float
		497348 Jet—Main (High Altitude) (Used Before Code Date 95103000).						

★ Included in Gasket Set—Ref. No. 358.
● Included in Carburetor Kit—Ref. 121.

◆ Included in Carburetor Gasket Set—Ref. 977.
⊗ Included in Valve Overhaul Gasket Set—Ref. No. 1095.

12E800 to 12E899

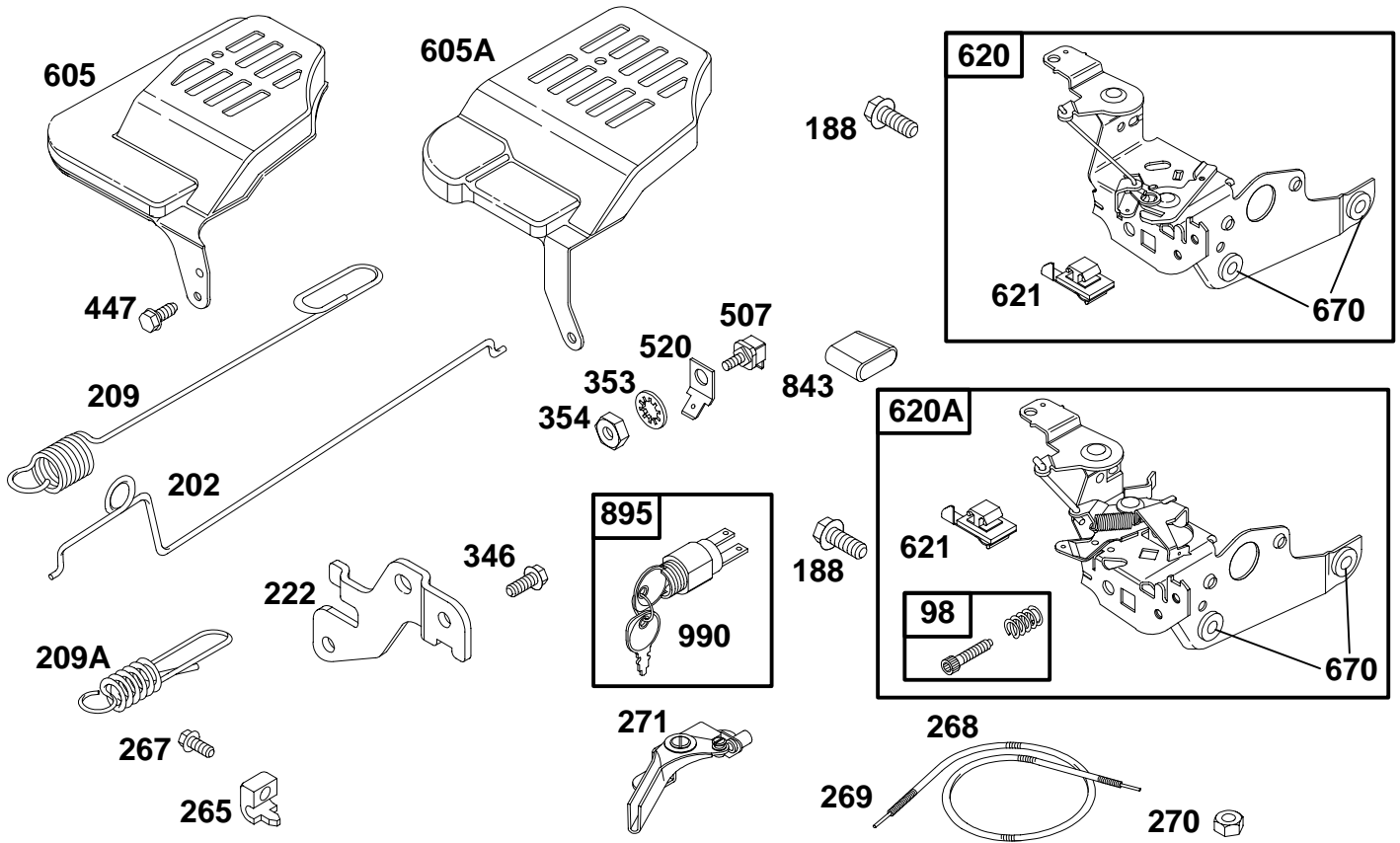


REF. NO.	PART NO.	DESCRIPTION	REF. NO.	PART NO.	DESCRIPTION	REF. NO.	PART NO.	DESCRIPTION
94	●493765	Valve-Idle Adjustment	124	94525	Screw-Hex.	137	◆	Gasket-Float Bowl (Sold in Kit Only)
95	94098	Screw-Round Head	125A	494216	Carburetor	141	494218	Shaft-Choke
98A	398185	Screw-Idle Speed	127	●	Plug-Welch (Sold in Kit Only)	617	◆270344	Seal-Intake Manifold
104	●231371	Pin-Float Hinge	130A	223470	Valve-Throttle	618	262749	Spring
108	223471	Valve-Choke	131	493267	Shaft-Throttle	634	◆	Washer (Sold in Kit Only)
110	◆	Washer (Sold in Kit Only)	133	398187	Float-Carburetor	975	493640	Bowl-Float
117A	493637	Jet-Main (Standard)	134	●398188	Valve-Needle (Includes Seat)			
		Note						
		496063 Jet-Main (High Altitude)						

★ Included in Gasket Set-Ref. No. 358.
● Included in Carburetor Kit-Ref. 121.

◆ Included in Carburetor Gasket Set-Ref. 977.
⊙ Included in Valve Overhaul Gasket Set-Ref. No. 1095.

12E800 to 12E899

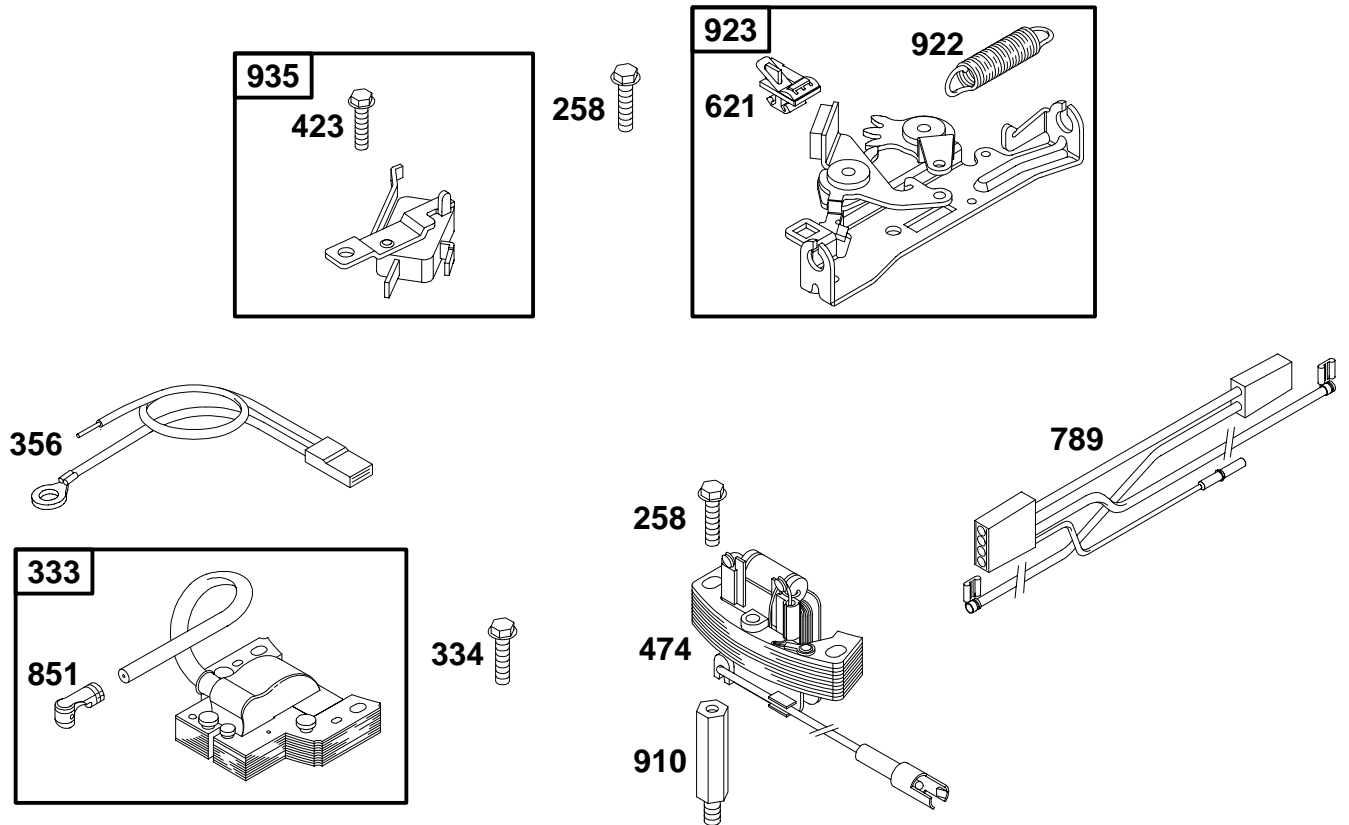


REF. NO.	PART NO.	DESCRIPTION	REF. NO.	PART NO.	DESCRIPTION	REF. NO.	PART NO.	DESCRIPTION
98	493280	Screw-Idle Speed	222	225152	Bracket-Control	520	93722	Terminal
188	94644	Screw-Hex.	265	213146	Clamp-Casing	605	225103	Cover-Control
202	262579	Link-Mechanical Governor	267	94882	Screw-Slotted Hex.	605A	224509	Cover-Control
209	263044	Spring-Governor	268	65616	Casing-Wire (72" Long) (Cut to Required Length)	620	497203	Bracket-Control Used with Primer Type Carburetor
		Note			66986 Casing-Wire (48" Long) (Cut to Required Length)	620A	495975	Bracket-Control Used with Choke Type Carburetor Used on Type No(s). 0831, 0837.
		263042 Spring-Gov. Used on Type No(s). 0833, 0835, 0836, 0885.	269	26633	Wire-Control (78" Long) (Cut to Required Length)			Note
		263046 Spring-Gov. Used on Type No(s). 0653, 0812, 1108, 1114.			26099 Wire-Control (54" Long) (Cut to Required Length)	621	396847	Switch-Stop (Includes 2)
209A	262666	Spring-Governor Used on Type No(s). 0831.	270	63426	Locknut-Casing	670	★493823	Spacer
		Note	271	290568	Lever-Control	843	272616	Sleeve-Lever
		262657 Spring-Gov. Used on Type No(s). 1129.	346	94602	Screw-Hex.	895	396291	Key Switch
		262664 Spring-Gov. Used on Type No(s). 0839.	353	92791	Washer-Lock	990	392832	Key Set-Starter Switch
		262678 Spring-Gov. Used on Type No(s). 1517.	354	90576	Nut-Hex.			
			447	93801	Screw-Hex.			
			507	398525	Insulator-Terminal			

★ Included in Gasket Set-Ref. No. 358.
 ● Included in Carburetor Kit-Ref. 121.

◆ Included in Carburetor Gasket Set-Ref. 977.
 ⊗ Included in Valve Overhaul Gasket Set-Ref. No. 1095.

12E800 to 12E899

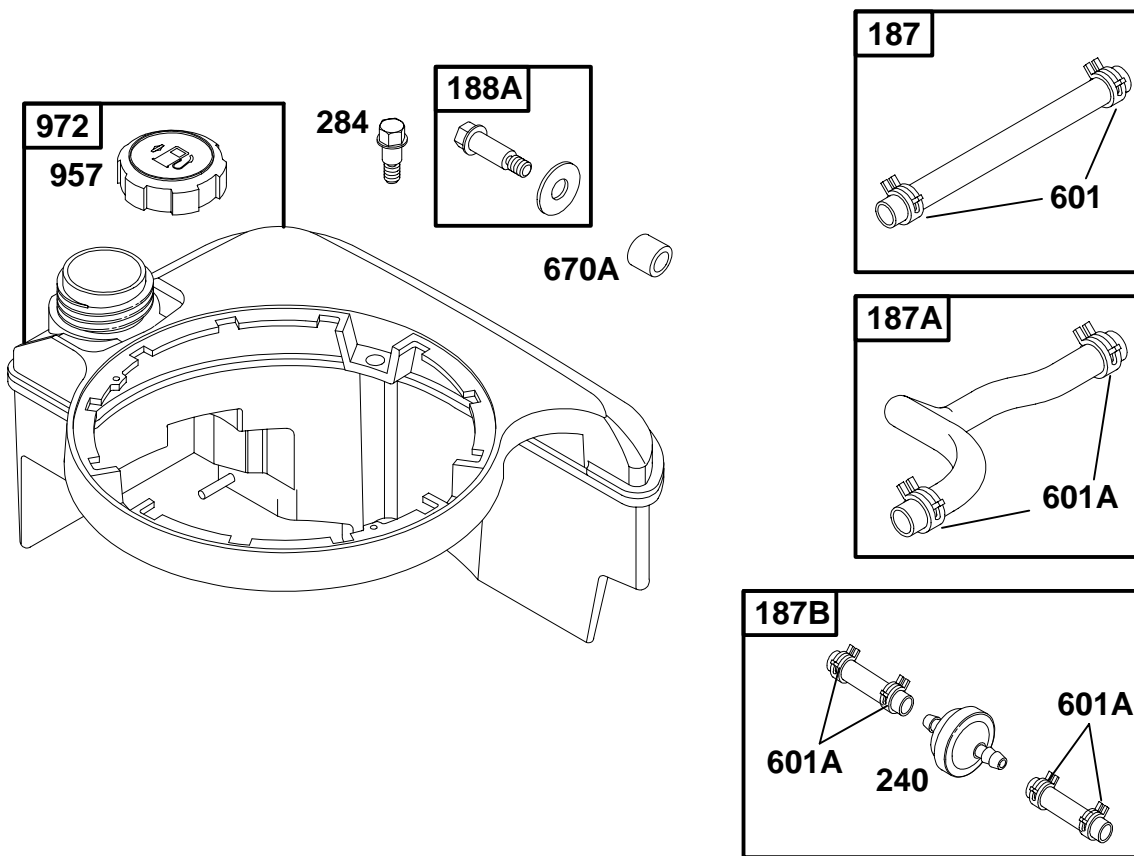


REF. NO.	PART NO.	DESCRIPTION	REF. NO.	PART NO.	DESCRIPTION	REF. NO.	PART NO.	DESCRIPTION
258	94512	Screw—Slotted Hex.	621	396847	Switch—Stop	930A	281136	Guard—Rewind
333	802574	Armature—Magneto	789	493380	Harness—Wire	935	499421	Switch—Interlock
334	94731	Screw—Hex.	851	493880	Terminal—Cable		398758	Switch—Interlock
356	398808	Wire—Stop	910	94510	Stud—Stator Mounting			(Used Before Code Date 92100600).
423	93758	Screw—Hex.	922	262640	Spring—Brake			
474	492841	Alternator	923	493442	Brake			

★ Included in Gasket Set—Ref. No. 358.
 ● Included in Carburetor Kit—Ref. 121.

◆ Included in Carburetor Gasket Set—Ref. 977.
 ○ Included in Valve Overhaul Gasket Set—Ref. No. 1095.

12E800 to 12E899

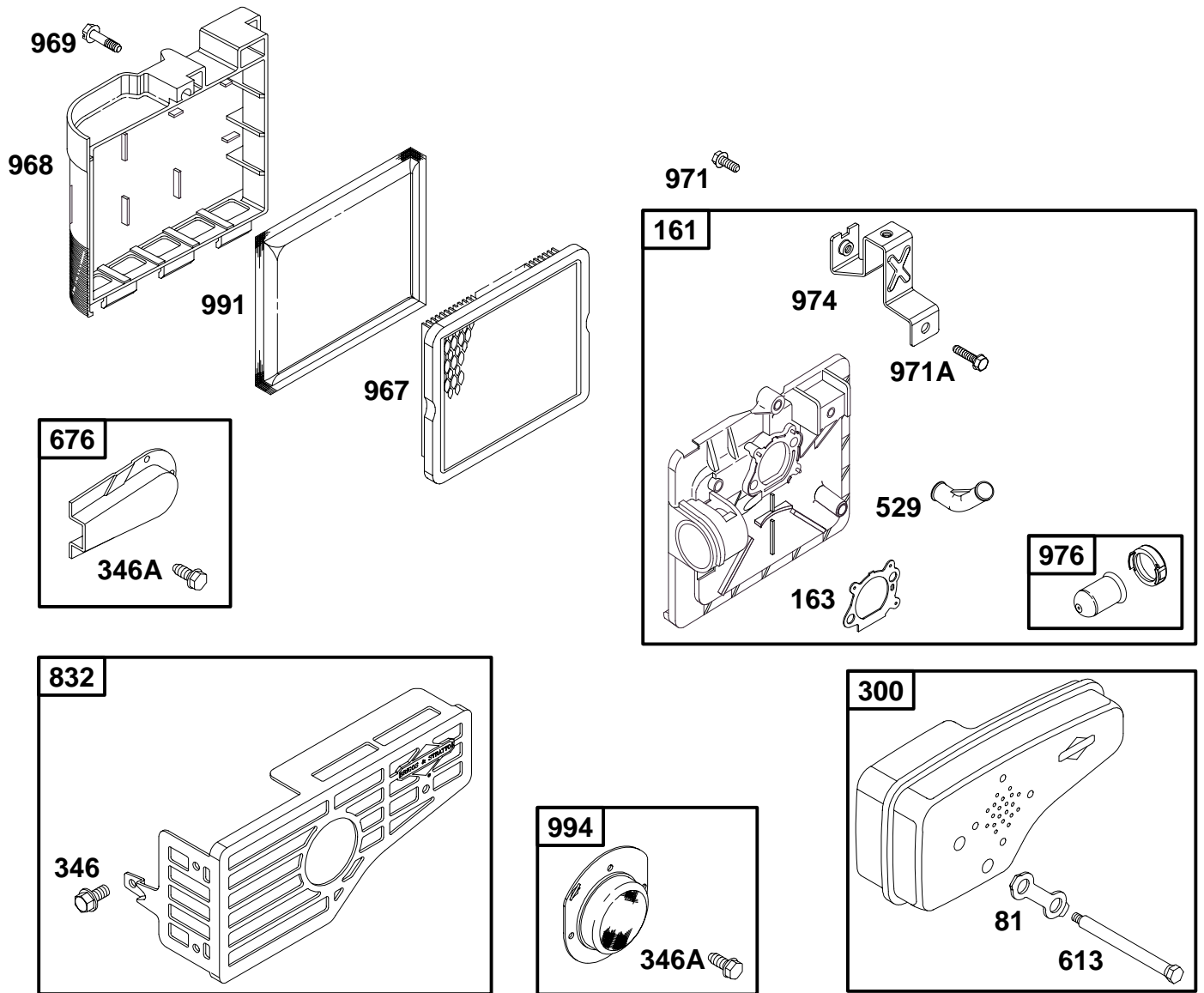


REF. NO.	PART NO.	DESCRIPTION	REF. NO.	PART NO.	DESCRIPTION	REF. NO.	PART NO.	DESCRIPTION
187	492790	Line-Fuel	240	298090	Filter-Fuel	670A	280512	Spacer-Fuel Tank
187A	492791	Line-Fuel	284	94511	Screw-Shoulder	957	397974	Cap-Fuel Tank
187B	498171	Line-Fuel	601	93807	Clamp-Hose	972	495224	Tank-Fuel (1.6 Quart, Black)
188A	398540	Screw-Shoulder	601A	93053	Clamp-Hose			

★ Included in Gasket Set-Ref. No. 358.
 ● Included in Carburetor Kit-Ref. 121.

◆ Included in Carburetor Gasket Set-Ref. 977.
 ⌀ Included in Valve Overhaul Gasket Set-Ref. No. 1095.

12E800 to 12E899

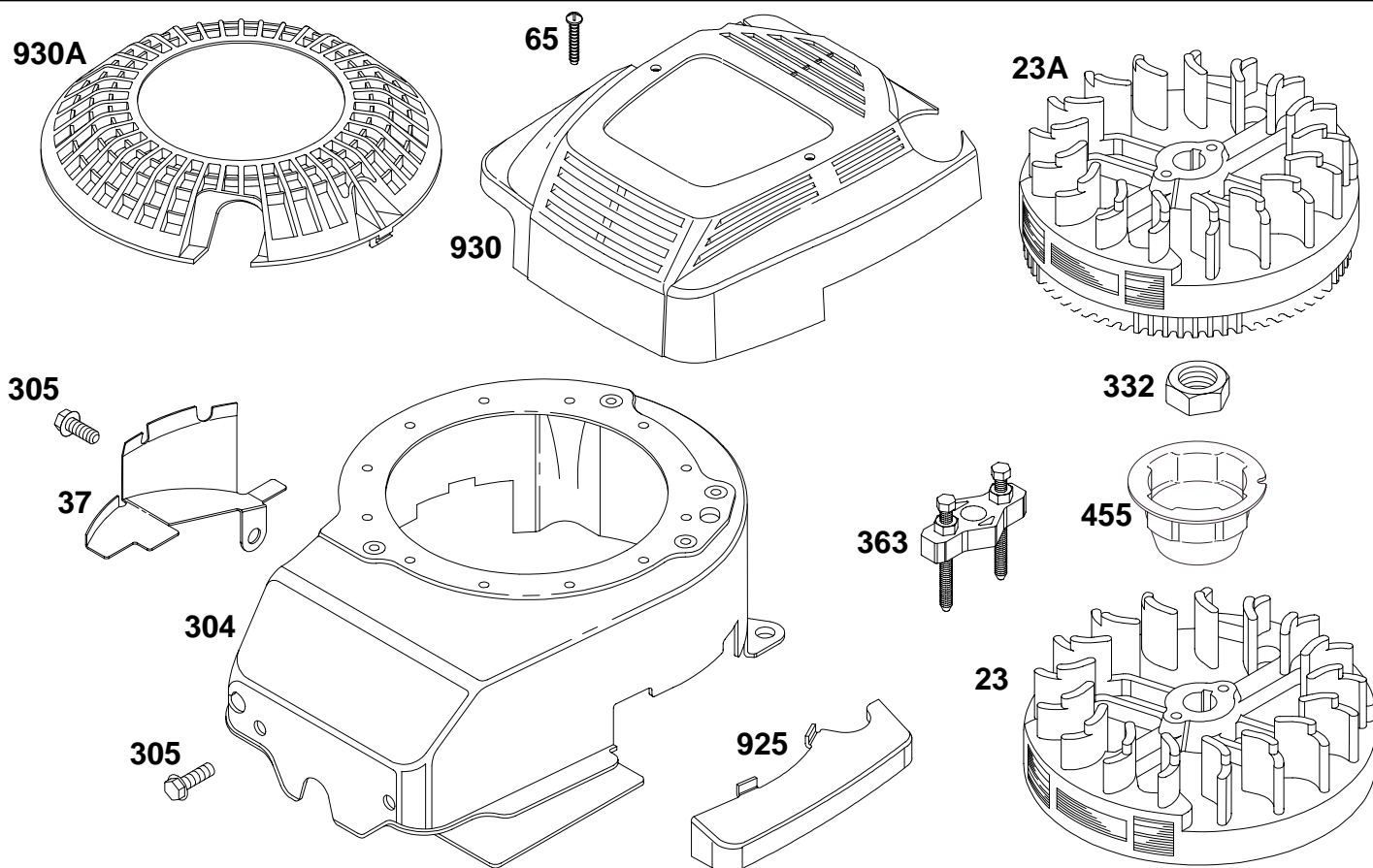


REF. NO.	PART NO.	DESCRIPTION	REF. NO.	PART NO.	DESCRIPTION	REF. NO.	PART NO.	DESCRIPTION
81	223664	Lock-Muffler Screw	613	94231	Screw-Shoulder	971A	94749	Screw-Hex.
161	496116	Base-Air Cleaner	676	493871	Deflector-Muffler	974	224815	Bracket-Support
163★◆	272653	Gasket-Air Cleaner	832	494224	Guard-Muffler	976	496115	Primer-Carburetor
300	496106	Muffler-Exhaust	967	491588	Filter-Air	991	493537	Filter-Air (Pre Filter)
346	94602	Screw-Hex.	968	281340	Cover-Air Cleaner	994	398067	Arrester-Spark
346A	93705	Screw-Hex.	969	94120	Screw-Slotted Hex.			
529	281299	Grommet	971	94121	Screw-Hex.			

★ Included in Gasket Set-Ref. No. 358.
● Included in Carburetor Kit-Ref. 121.

◆ Included in Carburetor Gasket Set-Ref. 977.
⊙ Included in Valve Overhaul Gasket Set-Ref. No. 1095.

12E800 to 12E899

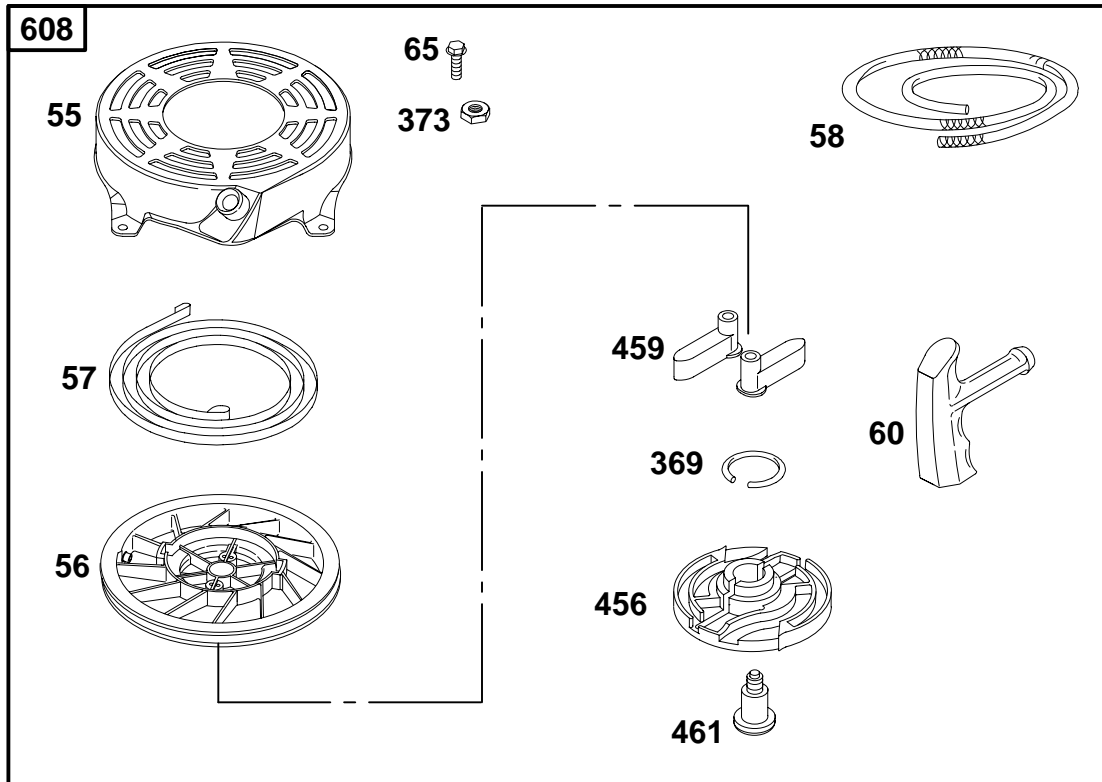


REF. NO.	PART NO.	DESCRIPTION	REF. NO.	PART NO.	DESCRIPTION	REF. NO.	PART NO.	DESCRIPTION
23	492177	Flywheel	304	493293	Housing-Blower (Used on Engines With Band Brake)	305	94744	Screw-Hex.
23A	492175	Flywheel				332	92284	Nut-Flywheel
37	224511	Guard-Flywheel				363	19069	Flywheel Puller
65	94696	Screw-Phillips				455	225121	Cup-Flywheel
Note						925	281145	Cover-Linkage
						930	497233	Guard-Rewind
						930A	281136	Guard-Rewind

★ Included in Gasket Set-Ref. No. 358.
● Included in Carburetor Kit-Ref. 121.

◆ Included in Carburetor Gasket Set-Ref. 977.
⊘ Included in Valve Overhaul Gasket Set-Ref. No. 1095.

12E800 to 12E899

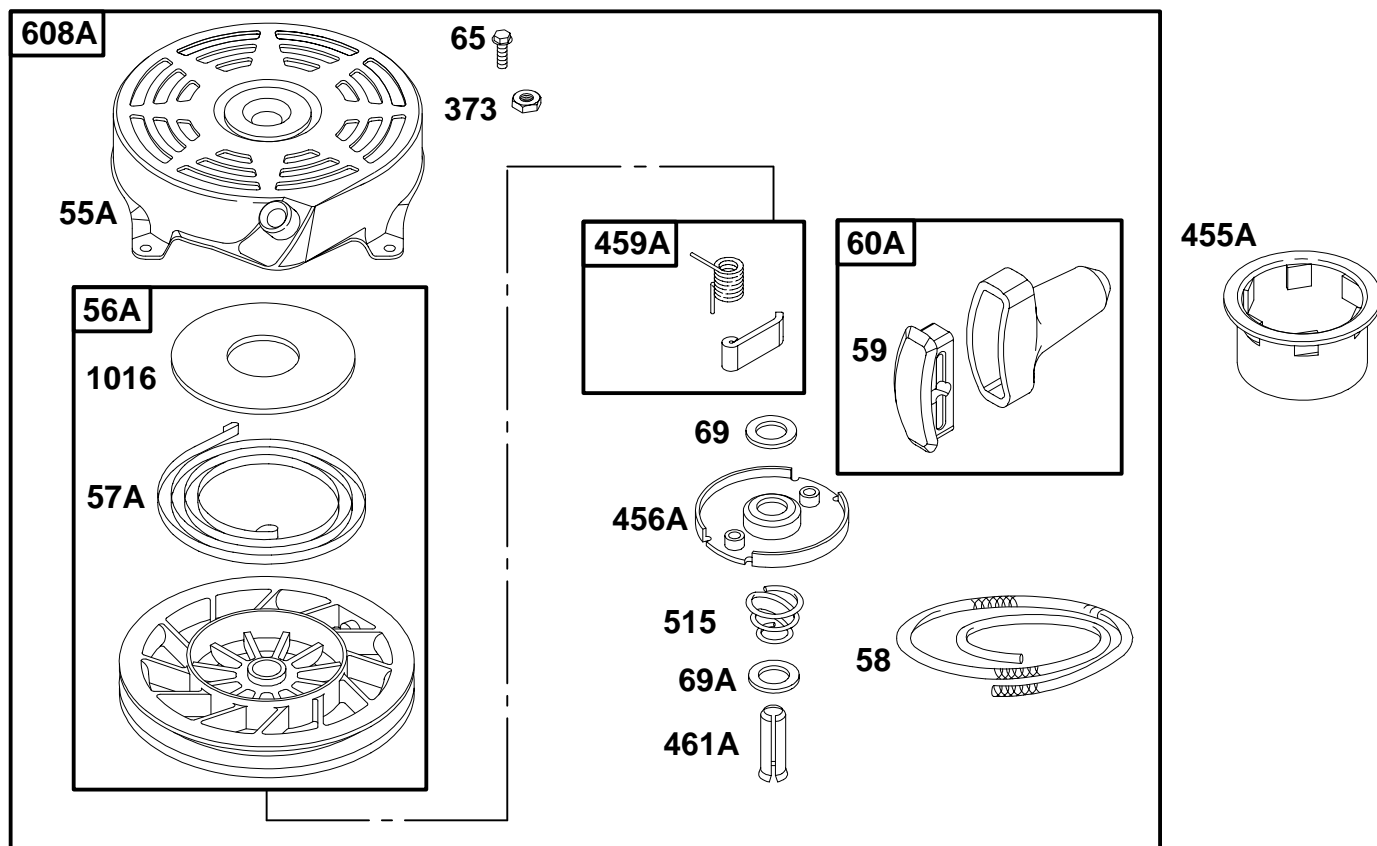


REF. NO.	PART NO.	DESCRIPTION	REF. NO.	PART NO.	DESCRIPTION	REF. NO.	PART NO.	DESCRIPTION
55	497440	Housing-Rewind Starter	58	280399	Rope-Starter (Cut To Required Length)	373	92987	Nut-Hex.
56	281504	Pulley-Starter	60	281434	Grip-Starter Rope	456	281503	Retainer-Spring
57	263074	Spring-Rewind Starter	65	94686	Screw-Hex.	459	281505	Pawl-Ratchet
			369	263073	Spring-Friction	461	94943	Screw-Shoulder
						608	497680	Starter-Rewind

★ Included in Gasket Set-Ref. No. 358.
 ● Included in Carburetor Kit-Ref. 121.

◆ Included in Carburetor Gasket Set-Ref. 977.
 ⌀ Included in Valve Overhaul Gasket Set-Ref. No. 1095.

12E800 to 12E899

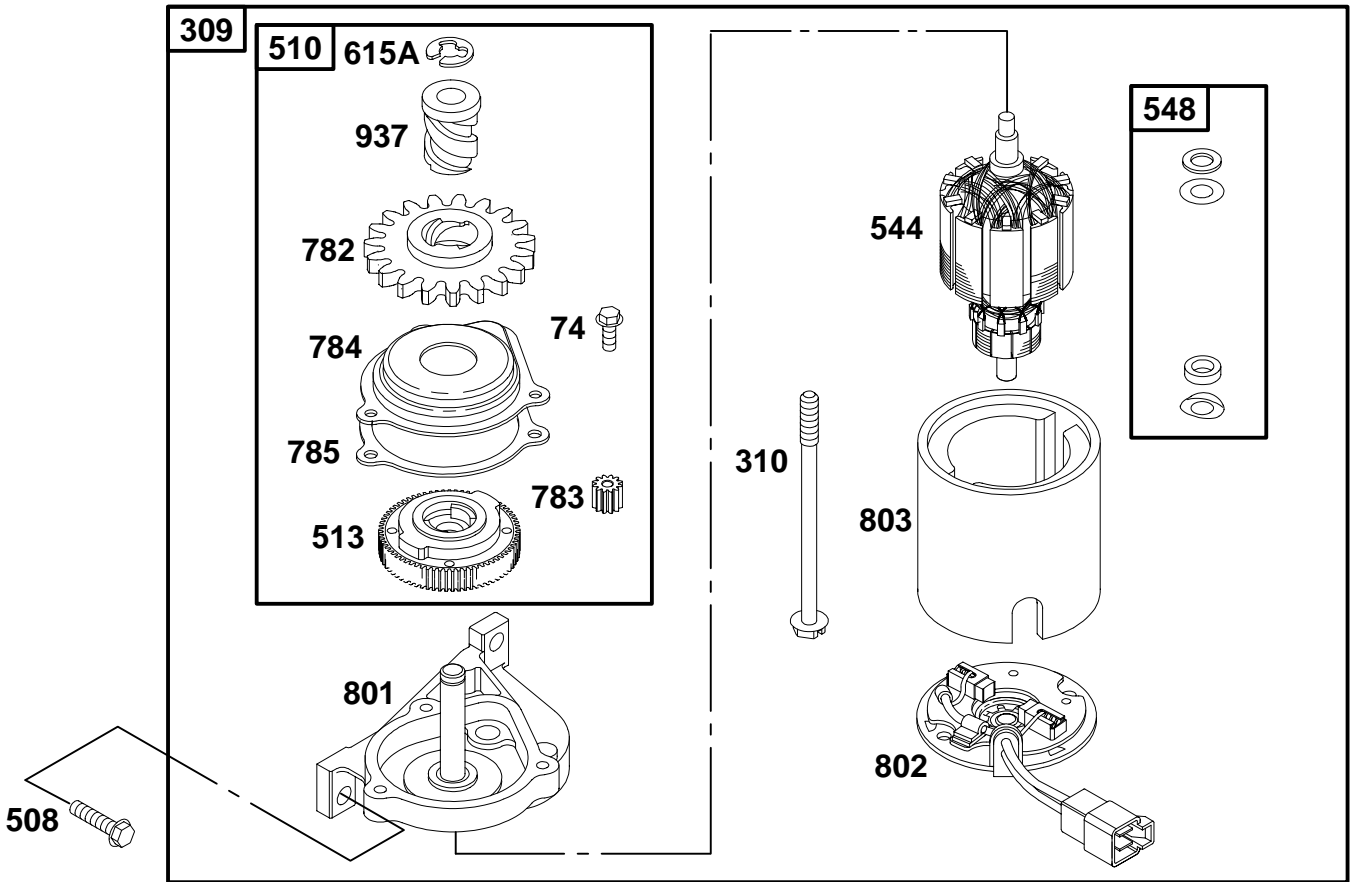


REF. NO.	PART NO.	DESCRIPTION	REF. NO.	PART NO.	DESCRIPTION	REF. NO.	PART NO.	DESCRIPTION
55A	492831	Housing-Rewind Starter	59	396892	Insert-Grip	456A	224321	Retainer-Spring
56A	493824	Pulley-Starter	60A	393152	Grip-Starter Rope	459A	492833	Pawl-Ratchet
57A	262594	Spring-Rewind Starter	65	94686	Screw-Hex.	461A	262626	Pin-Shaft
58	280399	Rope-Starter (Cut To Required Length)	69	280973	Washer	515	262625	Spring-Friction
			69A	224322	Washer	608A	493295	Starter-Rewind
			373	92987	Nut-Hex.	1016	224278	Spacer-Rewind
			455A	224250	Cup-Flywheel			

★ Included in Gasket Set-Ref. No. 358.
 ● Included in Carburetor Kit-Ref. 121.

◆ Included in Carburetor Gasket Set-Ref. 977.
 ∅ Included in Valve Overhaul Gasket Set-Ref. No. 1095.

12E800 to 12E899

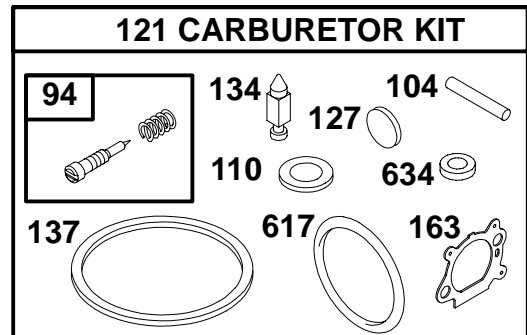
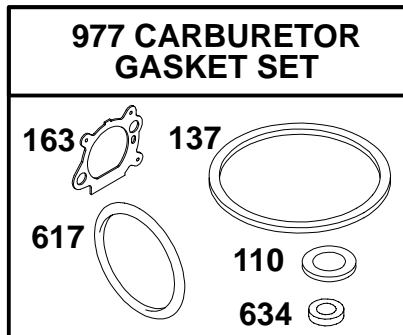
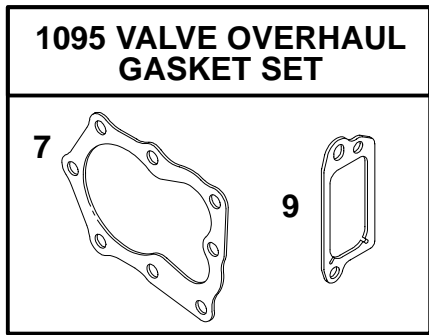
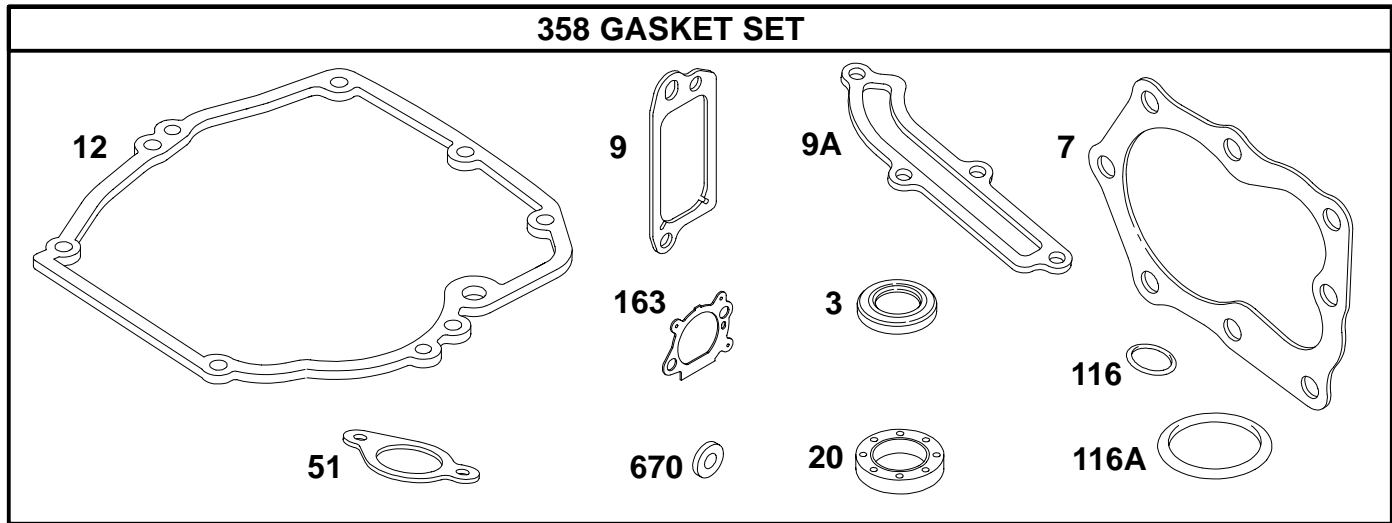


REF. NO.	PART NO.	DESCRIPTION	REF. NO.	PART NO.	DESCRIPTION	REF. NO.	PART NO.	DESCRIPTION
74	93490	Screw-Hex.	544	492921	Armature-Starter	785	272201	Gasket-Cover
309	494233	Motor-Starter	548	492919	Washer Set	801	492335	Cap-Drive
310	94051	Screw-Slotted Hex.	615A	93941	Retainer	802	492922	Cap-End
508	94974	Screw-Hex.	782	281127	Gear-Starter	803	492920	Housing-Starter
510	494147	Drive-Starter	783	261606	Gear-Starter	937	281125	Spline-Starter
513	394815	Clutch-Drive	784	224262	Cover-Gear			

★ Included in Gasket Set-Ref. No. 358.
 ● Included in Carburetor Kit-Ref. 121.

◆ Included in Carburetor Gasket Set-Ref. 977.
 ∅ Included in Valve Overhaul Gasket Set-Ref. No. 1095.

12E800 to 12E899



REF. NO.	PART NO.	DESCRIPTION	REF. NO.	PART NO.	DESCRIPTION	REF. NO.	PART NO.	DESCRIPTION
3	★299819	Seal—Oil	121	498260	Carburetor Kit	634	◆◆	Washer (Sold in Kit Only)
7	★Ø272916	Gasket—Cylinder Head			Note	670	★493823	Spacer (Includes 2)
9	★Ø272481	Gasket—Breather			493762 Carburetor Kit (Used Before Code Date 95110300).	977	498261	Gasket Set— Carburetor
9A	★272238	Gasket—Baffle Plate	127	●	Plug—Welch (Sold in Kit Only)			Note
12	★272198	Gasket—Crankcase	134	●398188	Valve—Needle (Includes Seat)			490937 Gasket Set— Carburetor (Used Before Code Date 95110300).
20	★399781	Seal—Oil	137	◆◆	Gasket—Float Bowl (Sold in Kit Only)	1095	498528	Gasket Set—Valve Overhaul
51	★272199	Gasket—Intake	163	◆◆272653	Gasket—Air Cleaner			
94	●493765	Valve—Idle Adjustment	358	497316	Gasket Set			
104	●231371	Pin—Float Hinge	617	◆◆270344	Seal—Intake Manifold			
110	◆◆	Washer (Sold in Kit Only)						
116	★280393	Seal—Cap						
116A	★280966	Seal—O—Ring						

★ Included in Gasket Set—Ref. No. 358.
● Included in Carburetor Kit—Ref. 121.

◆ Included in Carburetor Gasket Set—Ref. 977.
Ø Included in Valve Overhaul Gasket Set—Ref. No. 1095.