



# 12E100

## Illustrated Parts List

### Model Series

# 12E100

TYPE NUMBERS  
0007 through 0268.

### TABLE OF CONTENTS

- Blower Housing/Shrouds** ..... 6
- Camshaft** ..... 2
- Carburetor** ..... 4
- Controls** ..... 5
- Crankcase Cover** ..... 2
- Crankshaft** ..... 2
- Cylinder** ..... 2
- Cylinder Head** ..... 3
- Electric Starter** ..... 5
- Exhaust System** ..... 6
- Flywheel** ..... 6
- Fuel Supply** ..... 4
- Governor Spring** ..... 5
- Ignition** ..... 5
- Kits/Gaskets - Carburetor** ..... 4
- Kits/Gaskets - Engine** ..... 2
- Kits/Gaskets - Valves** ..... 3
- Lubrication** ..... 2
- Piston Group** ..... 2
- Rewind Starter** ..... 5



PRINTED IN U.S.A.

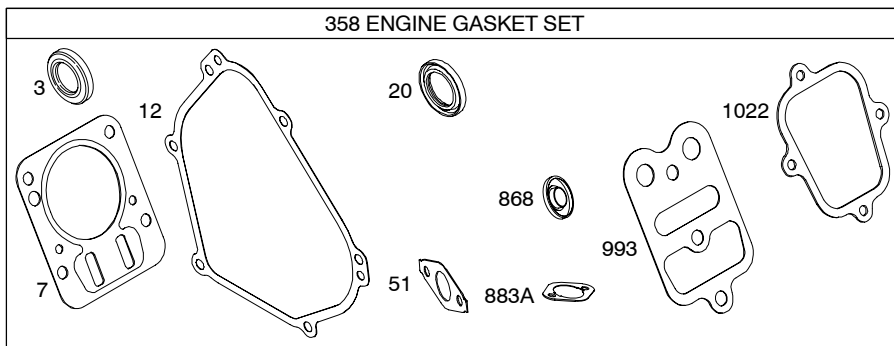
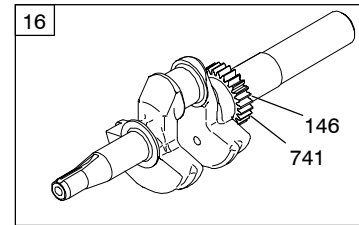
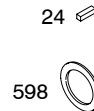
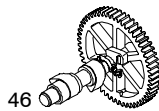
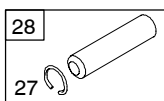
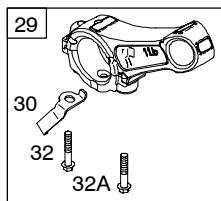
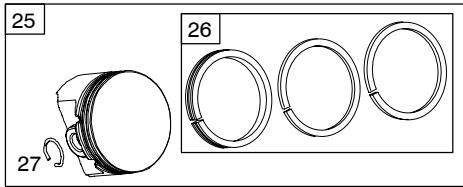
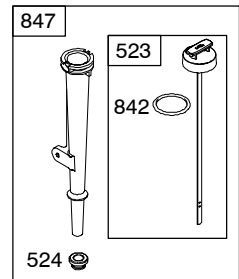
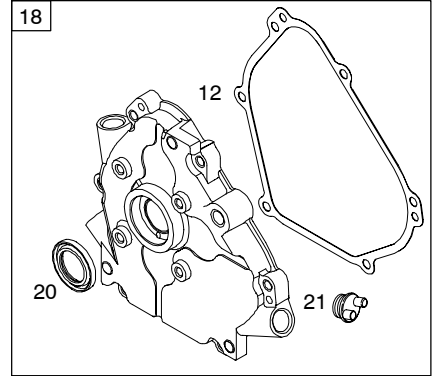
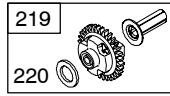
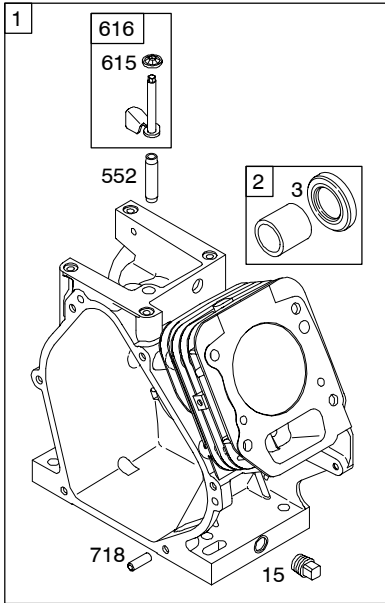
COPYRIGHT by BRIGGS & STRATTON CORPORATION  
All rights reserved. No part of this material may be reproduced or transmitted, in any form or by any means, electronic or mechanical, including photocopying, recording or by any information storage and retrieval system, without permission in writing from Briggs & Stratton Corporation.

# 12E100

1019 LABEL KIT

1058 OWNER'S MANUAL

1330 REPAIR MANUAL

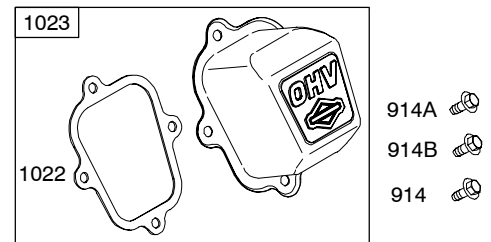
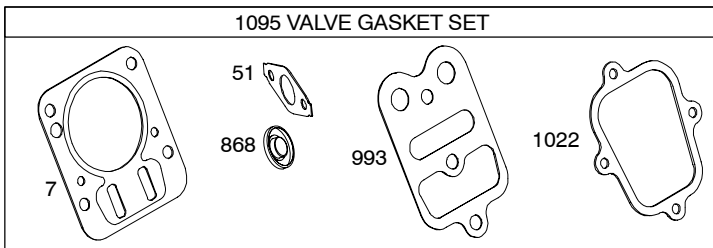
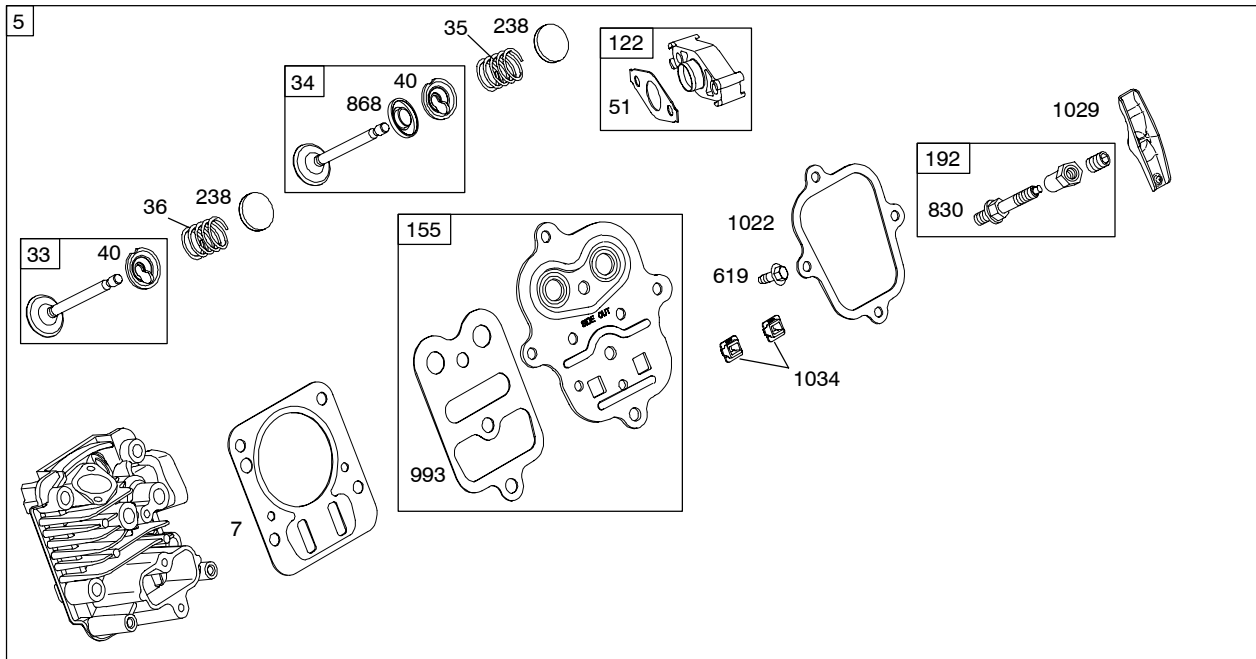
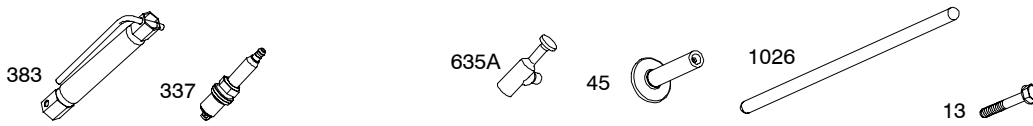


Illustrations cover a range of engines. Parts shown without corresponding text may not be used on your specific engine.

5958-2

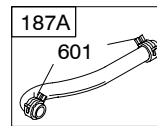
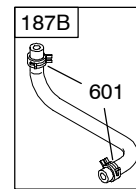
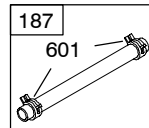
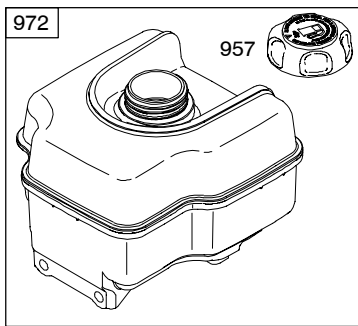
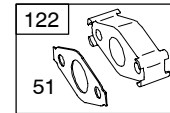
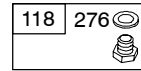
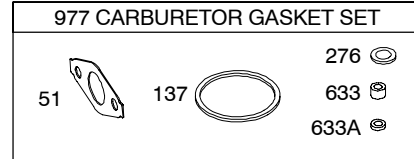
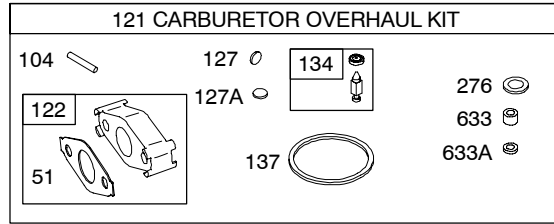
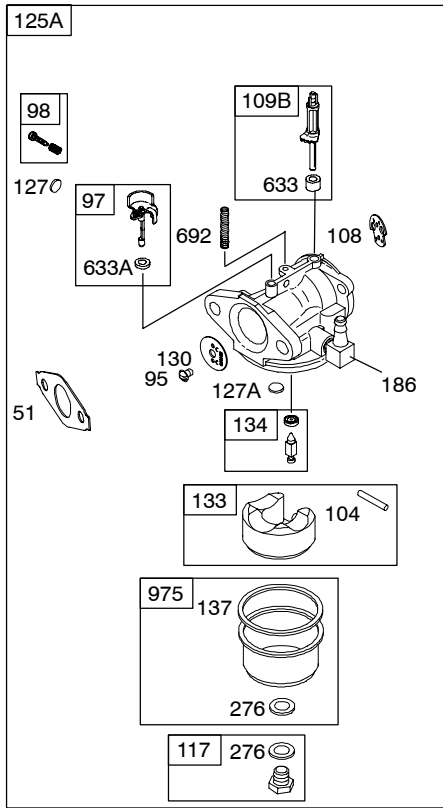
Assemblies include all parts shown in frames.

11/10/2005

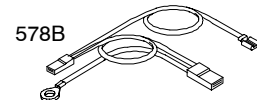
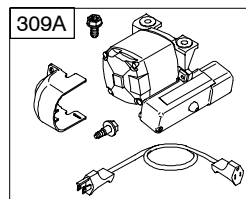
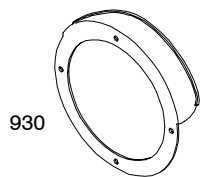
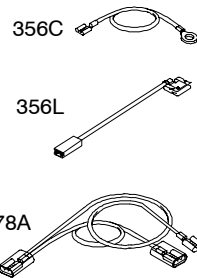
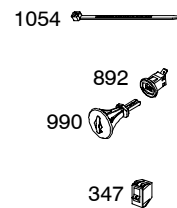
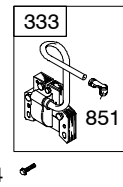
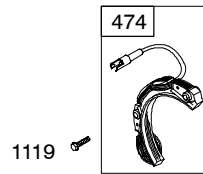
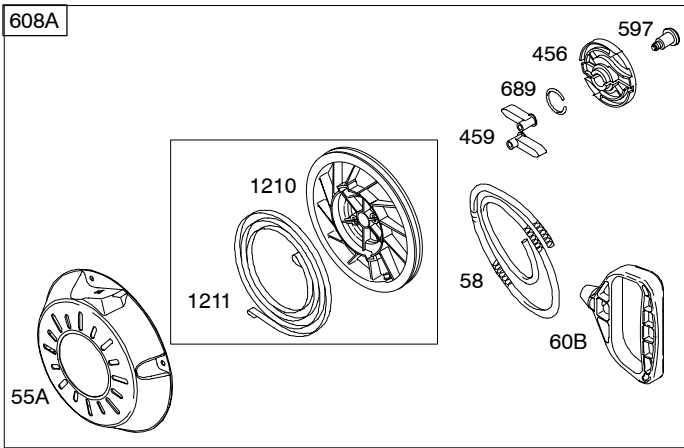
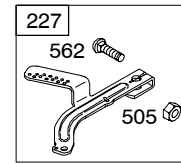
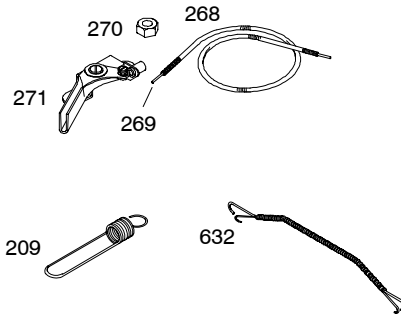
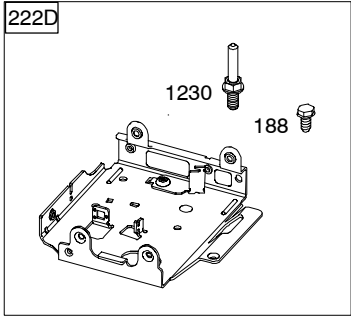


Illustrations cover a range of engines. Parts shown without corresponding text may not be used on your specific engine.

# 12E100

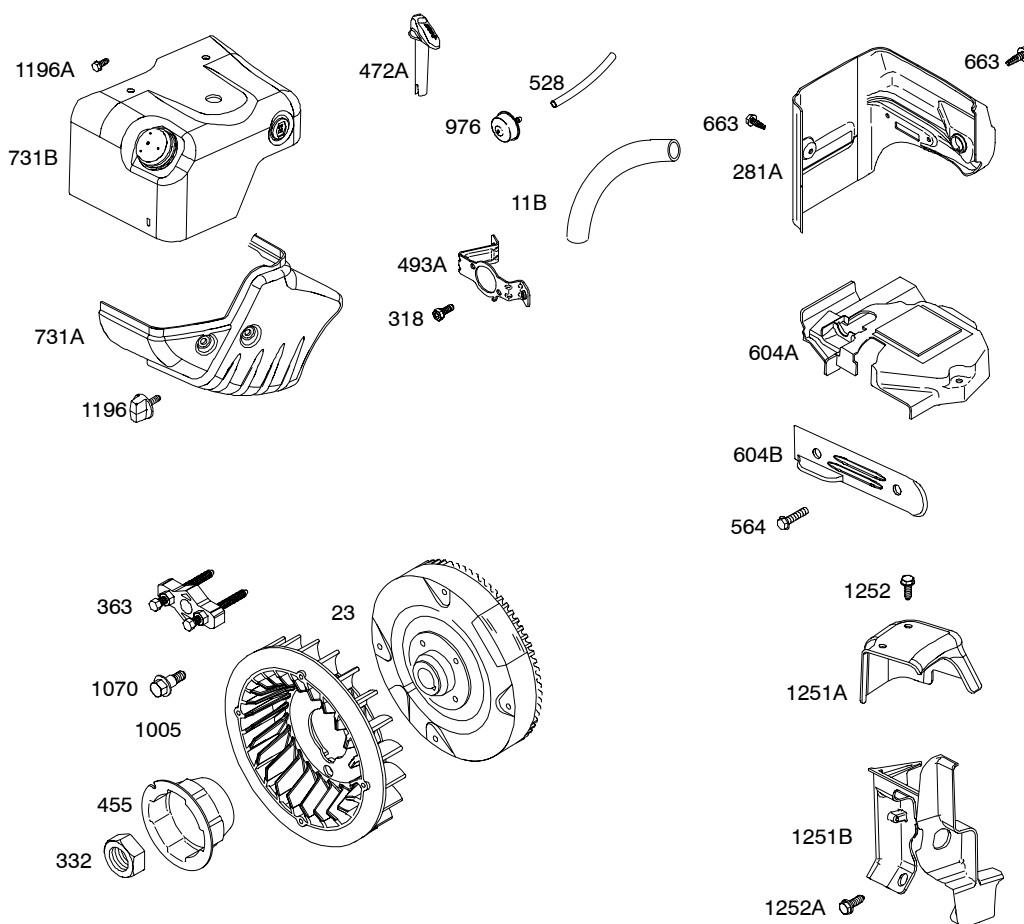


Illustrations cover a range of engines. Parts shown without corresponding text may not be used on your specific engine.

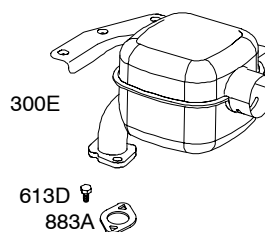
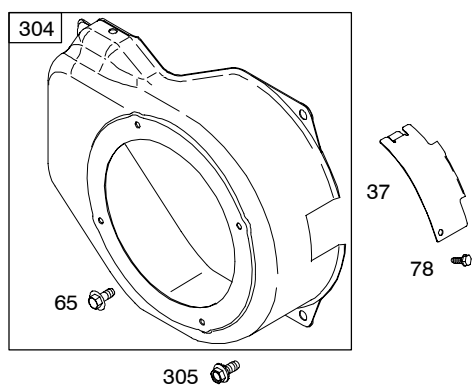


Illustrations cover a range of engines. Parts shown without corresponding text may not be used on your specific engine.  
 5958-5 Assemblies include all parts shown in frames. 11/10/2005

# 12E100



1036 EMISSION LABEL



Illustrations cover a range of engines. Parts shown without corresponding text may not be used on your specific engine.

REF. NO.	PART NO.	DESCRIPTION	REF. NO.	PART NO.	DESCRIPTION	REF. NO.	PART NO.	DESCRIPTION
1	699510	Cylinder Assembly	26	791969	Ring Set (Standard) (Used After Code Date 05060600).	55A	696710	Housing-Rewind Starter
2	399269	Kit-Bushing/Seal (Magneto Side)				58	693389	Rope-Starter (Cut To Required Length)
3	★299819S	Seal-Oil (Magneto Side)			----- <b>Note</b> -----	60B	699334	Grip-Starter Rope
5	699486	Head-Cylinder			499631 Ring Set (Standard) (Used Before Code Date 05060700).	65	699228	Screw (Rewind Starter)
7	★∅698210	Gasket-Cylinder Head			791324 Ring Set (.020" Oversize) (Used After Code Date 05060600).	65A	699851	Screw (Rewind Starter)
11B	695745	Tube-Breather			692786 Ring Set (.020" Oversize) (Used Before Code Date 05060700).	78	699205	Screw (Flywheel Guard)
12	★699485	Gasket-Crankcase				95	691636	Screw (Throttle Valve)
13	699482	Screw (Cylinder Head)				97	690024	Shaft-Throttle
15	691686	Plug-Oil Drain				98	398185	Kit-Idle Speed
15B	695757	Plug-Oil Drain				104	●691242	Pin-Float Hinge
16	699454	Crankshaft				108	695807	Valve-Choke
18	699804	Cover-Crankcase	27	691866	Lock-Piston Pin	109B	695729	Shaft-Choke
20	★692550	Seal-Oil (PTO Side)	28	499423	Pin-Piston	117	690048	Jet-Main (Standard)
21	281658S	Cap-Oil Fill	29	690124	Rod-Connecting	118	498977	Jet-Main (High Altitude)
22	699478	Screw (Crankcase Cover/Sump)	30	692562	Dipper-Connecting Rod	121	696998	Kit-Carburetor Overhaul
23	699516	Flywheel				122	●693749	Spacer-Carburetor
24	222698S	Key-Flywheel	32	691664	Screw (Connecting Rod)	125A	791292	Carburetor
25	791968	Piston Assembly (Standard) (Used After Code Date 05060600).	32A	695759	Screw (Connecting Rod)	127	●694468	Plug-Welch
		----- <b>Note</b> -----	33	499642	Valve-Exhaust	127A	●691739	Plug-Welch
		690021 Piston Assembly (Standard) (Used Before Code Date 05060700).	34	499641	Valve-Intake	130	691181	Valve-Throttle
		791326 Piston Assembly (.020" Oversize) (Used After Code Date 05060600).	35	691304	Spring-Valve (Intake)	133	398187	Float-Carburetor
		694168 Piston Assembly (.020" Oversize) (Used Before Code Date 05060700).	36	691304	Spring-Valve (Exhaust)	134	●398188	Kit-Needle/Seat
			37	699661	Guard-Flywheel	137	●693981	Gasket-Float Bowl
			40	692194	Retainer-Valve	146	690979	Key-Timing
			45	690977	Tappet-Valve	155	698214	Plate-Cylinder Head
			46	696813	Camshaft	186	692317	Connector-Hose
			51	★♦♦∅692555	Gasket-Intake (2 Required)			

★ Included in Engine Gasket Set-Ref. No.358.

● Included in Carburetor Overhaul Kit-Ref. No. 121.

♦ Included in Carburetor Gasket Set-Ref. No. 977.

∅ Included in Valve Gasket Set-Ref. No 1095.

*Illustrations cover a range of engines. Parts shown without corresponding text may not be used on your specific engine.*

# 12E100

REF. NO.	PART NO.	DESCRIPTION	REF. NO.	PART NO.	DESCRIPTION	REF. NO.	PART NO.	DESCRIPTION
187	791766	Line-Fuel (Cut to Required Length) (Used After Code Date 05063000). ----- <b>Note</b> ----- <b>691050</b> Line-Fuel (Cut to Required Length) (Used Before Code Date 05070100).	276	♦♦271716	Washer-Sealing	493A	695744	Bracket-Mounting
187A	791867	Line-Fuel (Molded) (Used After Code Date 05063000). ----- <b>Note</b> ----- <b>692601</b> Line-Fuel (Molded) (Used Before Code Date 05070100).	281A	699639	Panel-Control	505	691251	Nut (Governor Control Lever)
187B	791874	Line-Fuel (Molded)	287	699629	Screw (Dipstick Tube)	523	693618	Dipstick ----- <b>Note</b> ----- <b>790546</b> Dipstick Used on Type No(s). 0252, 0268.
188	699479	Screw (Control Bracket)	300E	791940	Muffler (Used After Code Date 05101800). ----- <b>Note</b> ----- <b>790548</b> Muffler (Used Before Code Date 05101900).	524	281370S	Seal-Dipstick Tube
190	699220	Screw (Fuel Tank)	304	699598	Housing-Blower	528	695746	Hose-Primer
192	694543	Ball-Rocker Arm	305	699480	Screw (Blower Housing)	552	692346	Bushing-Governor Crank
209	692571	Spring-Governor	306A	695710	Shield-Cylinder	562	691119	Bolt (Governor Control Lever)
219	693578	Gear-Governor	307	699483	Screw (Cylinder Shield)	564	699854	Screw (Control Cover)
220	691724	Washer (Governor Gear)	307A	699234	Screw (Cylinder Shield)	578A	790481	Wire Assembly
222D	790549	Bracket-Control	307B	790557	Screw (Cylinder Shield)	578B	791956	Wire Assembly
227	692573	Lever-Governor Control	309A	696818	Motor-Starter	597	691696	Screw (Pawl Friction Plate)
238	691300	Cap-Valve	318	690370	Screw (Mounting Bracket)	598	220624	Shim-End Play
268	691072	Control Wire Casing (Cut to Required Length)	332	699359	Nut (Flywheel)	601	95162S	Clamp-Hose
269	691026	Control Wire (Cut to Required Length)	333	695711	Armature-Magneto	604A	695749	Cover-Control
270	691027	Nut (Control Wire Casing)	334	699477	Screw (Magneto Armature)	604B	790473	Cover-Control
271	691028	Lever-Control	337	491055	Spark-Plug	608A	699335	Starter-Rewind
			347	698338	Switch-Rocker	613D	699209	Screw (Muffler)
			356C	695630	Wire-Stop	615	692576	Retainer-Governor Shaft
			356L	790552	Wire-Stop	616	692547	Crank-Governor
			358	699638	Set-Engine Gasket	619	699230	Screw (Cylinder Head Plate)
			363	19069	Puller-Flywheel	632	692653	Spring/Link-Mechanical Governor
			365	699484	Screw (Carburetor)	633	♦♦693867	Seal-Choke/Throttle Shaft (Choke)
			383	19374S	Wrench-Spark Plug	633A	♦♦691321	Seal-Choke/Throttle Shaft (Throttle)
			455	692591	Cup-Flywheel			
			456	692299	Plate-Pawl Friction			
			459	281505S	Pawl-Ratchet			
			472A	790553	Knob-Choke Shaft			
			474	694457	Alternator			

★ Included in Engine Gasket Set-Ref. No.358.

● Included in Carburetor Overhaul Kit-Ref. No. 121.

◆ Included in Carburetor Gasket Set-Ref. No. 977.

⊘ Included in Valve Gasket Set-Ref. No 1095.

*Illustrations cover a range of engines. Parts shown without corresponding text may not be used on your specific engine.*



REF. NO.	PART NO.	DESCRIPTION	REF. NO.	PART NO.	DESCRIPTION	REF. NO.	PART NO.	DESCRIPTION
<b>635A</b>	<b>692927</b>	Boot-Sparkplug	<b>892</b>	<b>791944</b>	Switch-Key (Used After Code Date 05101800).	<b>1023</b>	<b>499924</b>	Cover-Rocker Arm
<b>663</b>	<b>699854</b>	Screw (Control Panel)			----- <b>Note</b> -----	<b>1026</b>	<b>790287</b>	Rod-Push
<b>689</b>	<b>691855</b>	Spring-Friction				<b>1029</b>	<b>691230</b>	Arm-Rocker
<b>692</b>	<b>690572</b>	Spring-Detent			<b>696749</b> Switch-Key (Used Before Code Date 05101900).	<b>1036</b>		Label-Emission (Available From An Authorized Briggs & Stratton Service Dealer)
<b>718</b>	<b>690959</b>	Pin-Locating	<b>914</b>	<b>699481</b>	Screw (Rocker Cover) (Bottom)	<b>1034</b>	<b>691343</b>	Guide-Push Rod
<b>731A</b>	<b>790554</b>	Hood-Snow	<b>914A</b>	<b>692557</b>	Screw (Rocker Cover) (Top)	<b>1054</b>	<b>280275</b>	Tie-Cable
<b>731B</b>	<b>791943</b>	Hood-Snow (Used After Code Date 05101800). ----- <b>Note</b> -----	<b>914B</b>	<b>697551</b>	Screw (Rocker Cover) (Center)	<b>1058</b>	<b>275964</b>	Owner's Manual
		<b>790547</b> Hood-Snow (Used Before Code Date 05101900).	<b>930</b>	<b>696709</b>	Guard-Rewind	<b>1070</b>	<b>699201</b>	Screw (Flywheel Fan)
<b>741</b>	<b>695087</b>	Gear-Timing	<b>957</b>	<b>694261</b>	Cap-Fuel Tank (Plastic)	<b>1095</b>	<b>698215</b>	Gasket Set-Valve
<b>742</b>	<b>692564</b>	Retainer-E Ring	<b>958</b>	<b>698180</b>	Valve-Fuel Shut Off (Plastic)	<b>1119</b>	<b>699772</b>	Screw (Alternator)
<b>746</b>	<b>692566</b>	Gear-Idler	<b>972</b>	<b>694260</b>	Tank-Fuel (Plastic)	<b>1196</b>	<b>696692</b>	Screw (Snow Hood)
<b>830</b>	<b>694544</b>	Stud (Rocker Arm)	<b>975</b>	<b>493640</b>	Bowl-Float	<b>1196A</b>	<b>699854</b>	Screw (Snow Hood)
<b>842</b>	<b>691031</b>	Seal-O Ring (Dipstick Tube)	<b>976</b>	<b>790221</b>	Primer-Carburetor	<b>1210</b>	<b>498144</b>	Pulley/Spring Assembly (Pulley)
<b>847</b>	<b>693617</b>	Dipstick/Tube Assembly ----- <b>Note</b> -----	<b>977</b>	<b>697001</b>	Gasket Set-Carburetor	<b>1211</b>	<b>498144</b>	Pulley/Spring Assembly (Spring)
		<b>790545</b> Dipstick/Tube Assembly Used on Type No(s). 0252, 0268.	<b>990</b>	<b>695756</b>	Key-Set	<b>1230</b>	<b>699847</b>	Screw (Control Bracket)
<b>851</b>	<b>493880S</b>	Terminal-Spark Plug	<b>993</b>	<b>*Ø694088</b>	Gasket-Cylinder Head Plate	<b>1251A</b>	<b>790555</b>	Shield-Snow
<b>868</b>	<b>*Ø692044</b>	Seal-Valve	<b>998</b>	<b>696683</b>	Pipe-Oil	<b>1251B</b>	<b>790556</b>	Shield-Snow
<b>883A</b>	<b>*691893</b>	Gasket-Exhaust	<b>1005</b>	<b>692592</b>	Fan-Flywheel	<b>1252</b>	<b>699234</b>	Screw (Snow Shield)
			<b>1019</b>	<b>790459</b>	Kit-Label	<b>1252A</b>	<b>699632</b>	Screw (Snow Shield)
			<b>1022</b>	<b>*Ø691890</b>	Gasket-Rocker Cover	<b>1330</b>	<b>272147</b>	Repair Manual

★ Included in Engine Gasket Set-Ref. No.358.

● Included in Carburetor Overhaul Kit-Ref. No. 121.

◆ Included in Carburetor Gasket Set-Ref. No. 977.

Ø Included in Valve Gasket Set-Ref. No 1095.

*Illustrations cover a range of engines. Parts shown without corresponding text may not be used on your specific engine.*