



12C100

Illustrated Parts List

Model Series

12C100

TYPE NUMBERS
0007 through 0251.

TABLE OF CONTENTS

- Blower Housing/Shrouds** 6
- Camshaft** 2
- Carburetor** 4
- Controls** 5
- Crankcase Cover** 2
- Crankshaft** 2
- Cylinder** 2
- Cylinder Head** 3
- Electric Starter** 5
- Exhaust System** 6
- Flywheel** 6
- Fuel Supply** 4
- Governor Spring** 5
- Ignition** 5
- Kits/Gaskets – Carburetor** 4
- Kits/Gaskets – Engine** 2
- Kits/Gaskets – Valves** 3
- Lubrication** 2
- Piston Group** 2
- Rewind Starter** 5



PRINTED IN U.S.A.

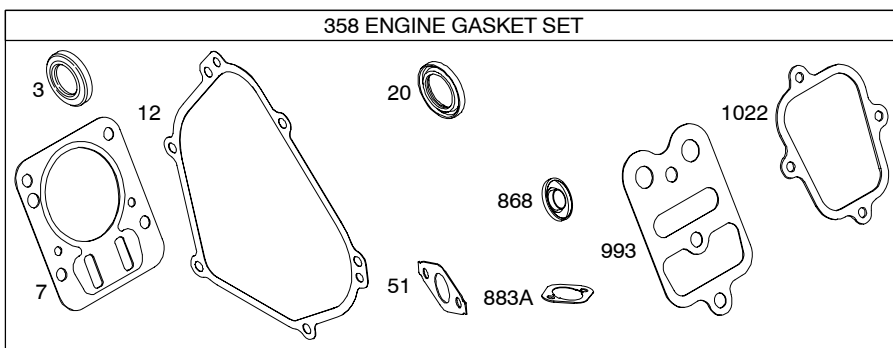
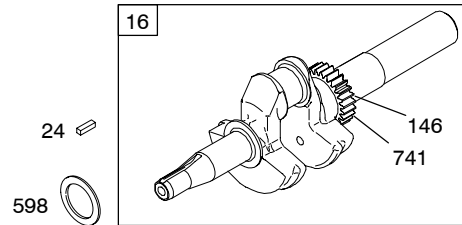
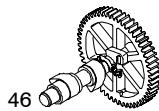
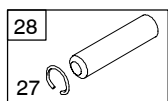
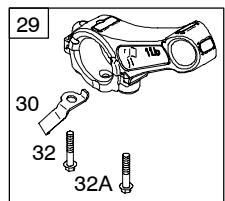
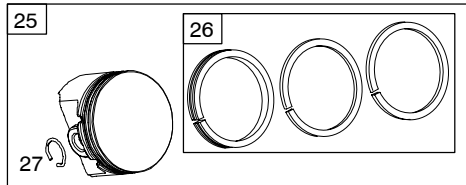
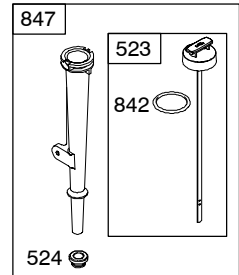
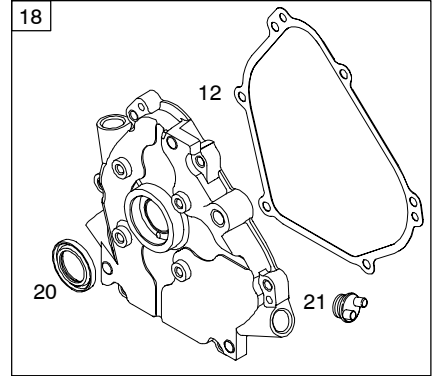
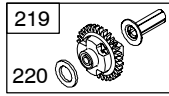
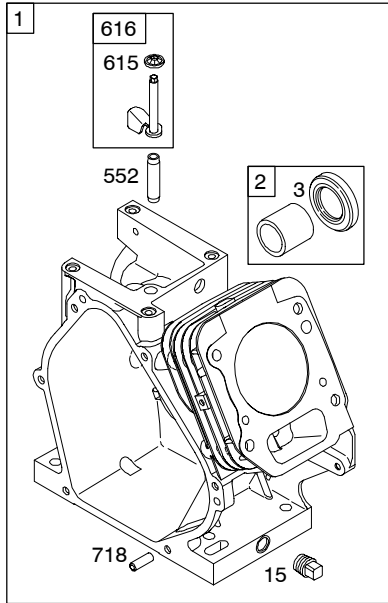
COPYRIGHT by BRIGGS & STRATTON CORPORATION
All rights reserved. No part of this material may be reproduced or transmitted, in any form or by any means, electronic or mechanical, including photocopying, recording or by any information storage and retrieval system, without permission in writing from Briggs & Stratton Corporation.

12C100

1019 LABEL KIT

1058 OWNER'S MANUAL

1330 REPAIR MANUAL

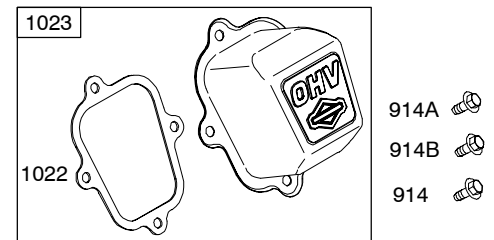
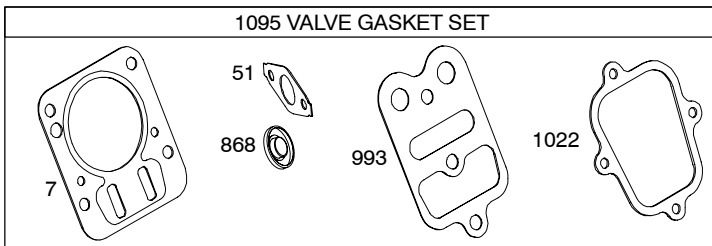
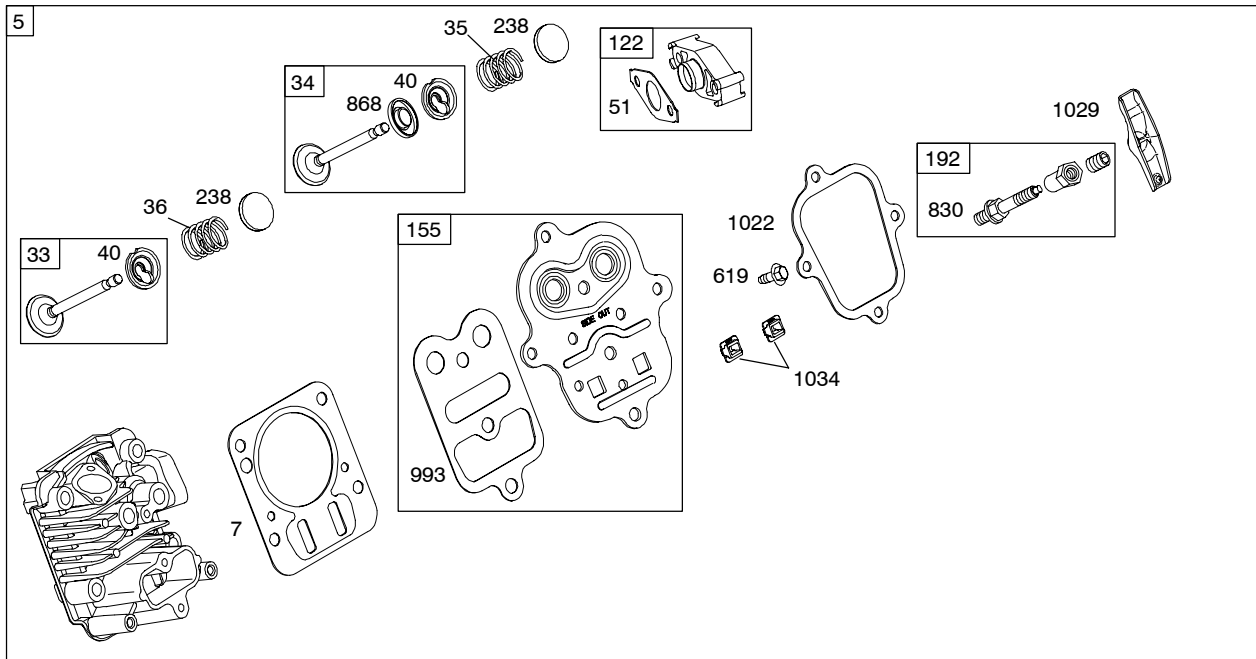
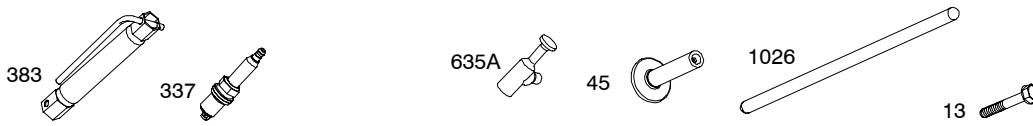


Illustrations cover a range of engines. Parts shown without corresponding text may not be used on your specific engine.

5957-2

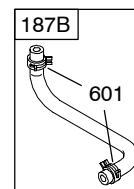
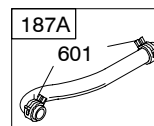
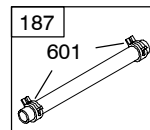
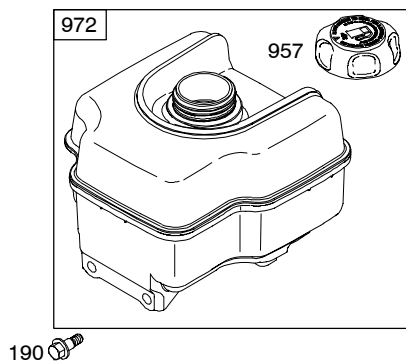
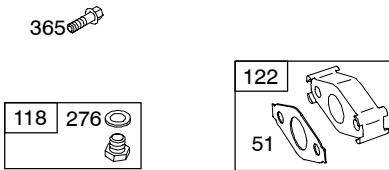
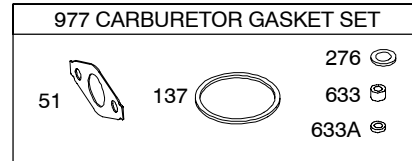
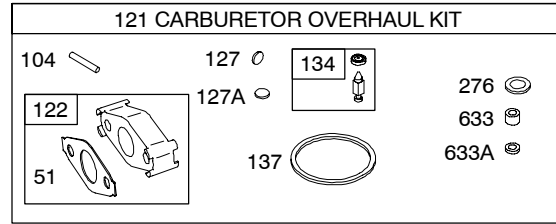
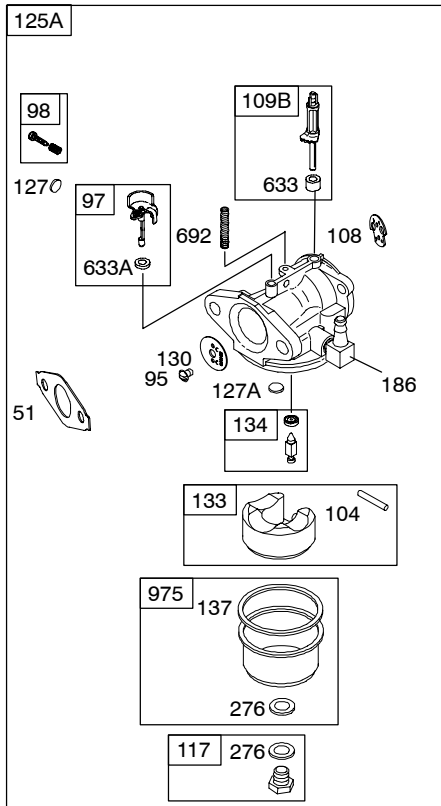
Assemblies include all parts shown in frames.

11/10/2005

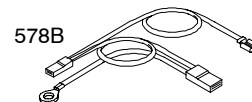
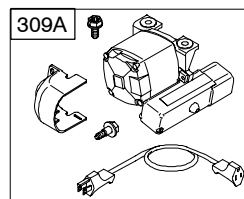
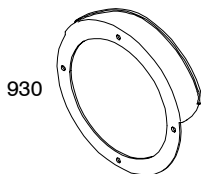
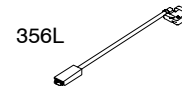
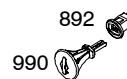
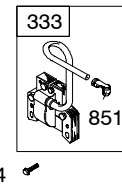
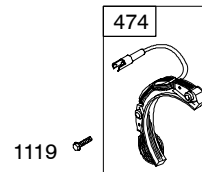
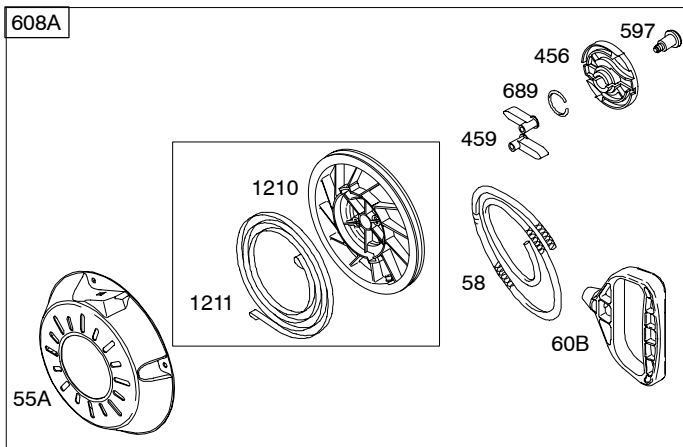
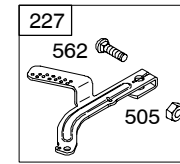
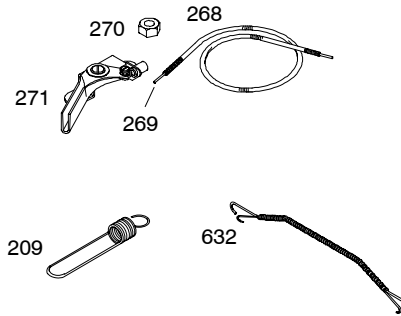
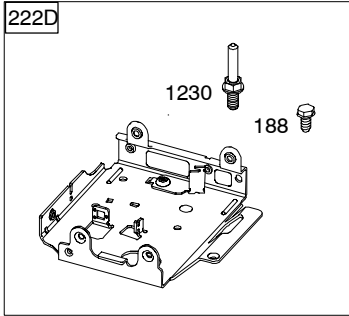


Illustrations cover a range of engines. Parts shown without corresponding text may not be used on your specific engine.

12C100

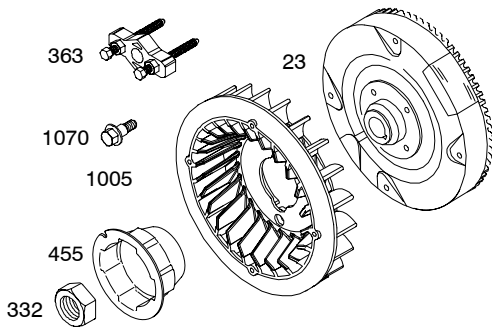
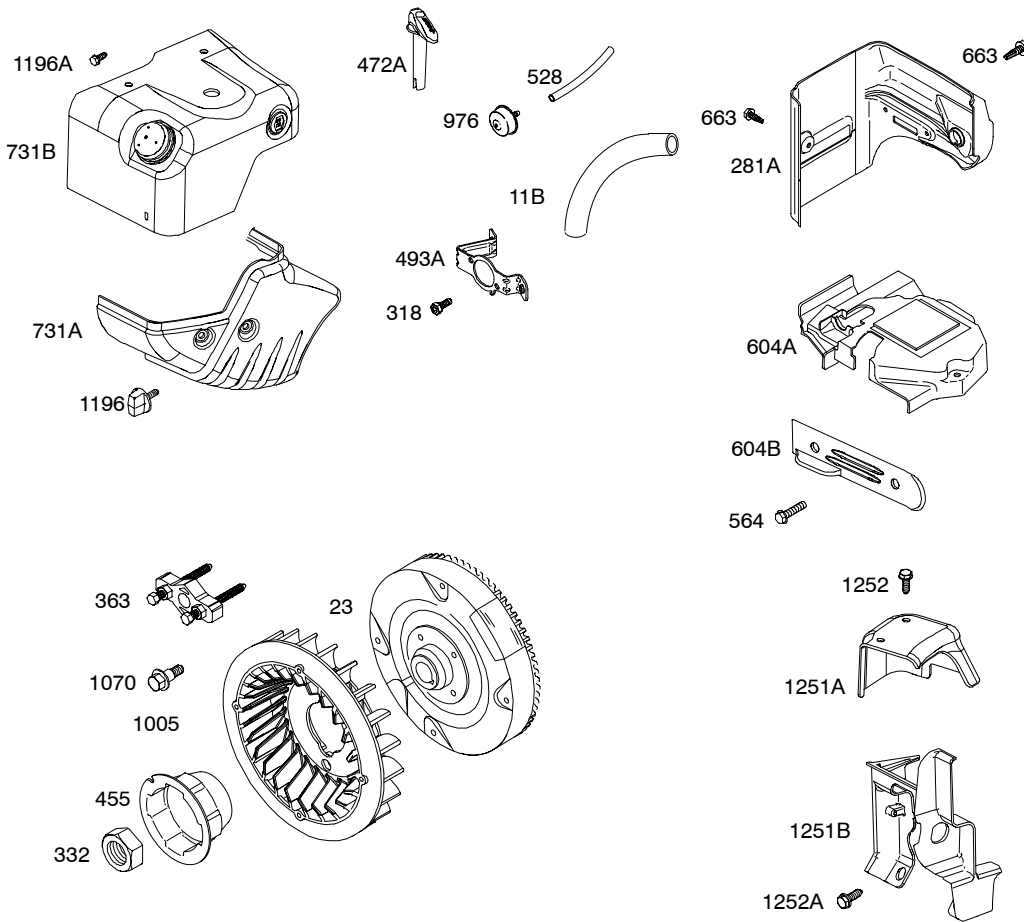


Illustrations cover a range of engines. Parts shown without corresponding text may not be used on your specific engine.

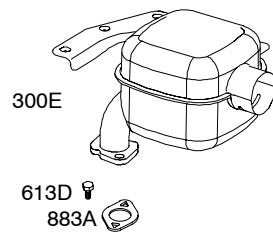
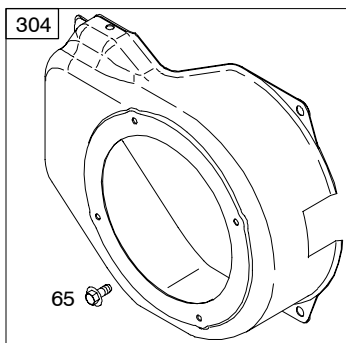


Illustrations cover a range of engines. Parts shown without corresponding text may not be used on your specific engine.

12C100



1036 EMISSION LABEL



Illustrations cover a range of engines. Parts shown without corresponding text may not be used on your specific engine.

12C100

REF. NO.	PART NO.	DESCRIPTION	REF. NO.	PART NO.	DESCRIPTION	REF. NO.	PART NO.	DESCRIPTION
187	791766	Line-Fuel (Cut to Required Length) (Used After Code Date 05063000). ----- Note ----- 691050 Line-Fuel (Cut to Required Length) (Used Before Code Date 05070100).	276	♦♦271716	Washer-Sealing	493A	695744	Bracket-Mounting
187A	791867	Line-Fuel (Molded) (Used After Code Date 05063000). ----- Note ----- 692601 Line-Fuel (Molded) (Used Before Code Date 05070100).	281A	699639	Panel-Control	505	691251	Nut (Governor Control Lever)
187B	791874	Line-Fuel (Molded)	287	699629	Screw (Dipstick Tube)	523	693618	Dipstick ----- Note ----- 790546 Dipstick Used on Type No(s). 0251.
188	699479	Screw (Control Bracket)	300E	791940	Muffler (Used After Code Date 05101800). ----- Note ----- 790548 Muffler (Used Before Code Date 05101900).	524	281370S	Seal-Dipstick Tube
190	699220	Screw (Fuel Tank)	304	699598	Housing-Blower	528	695746	Hose-Primer
192	694543	Ball-Rocker Arm	305	699480	Screw (Blower Housing)	552	692346	Bushing-Governor Crank
209	692571	Spring-Governor	306A	695710	Shield-Cylinder	562	691119	Bolt (Governor Control Lever)
219	693578	Gear-Governor	307	699483	Screw (Cylinder Shield)	564	699854	Screw (Control Cover)
220	691724	Washer (Governor Gear)	307A	699234	Screw (Cylinder Shield)	578A	790481	Wire Assembly
222D	790549	Bracket-Control	307B	790557	Screw (Cylinder Shield)	578B	791956	Wire Assembly
227	692573	Lever-Governor Control	309A	696818	Motor-Starter	597	691696	Screw (Pawl Friction Plate)
238	691300	Cap-Valve	318	690370	Screw (Mounting Bracket)	598	220624	Shim-End Play
268	691072	Control Wire Casing (Cut to Required Length)	332	699359	Nut (Flywheel)	601	95162	Clamp-Hose
269	691026	Control Wire (Cut to Required Length)	333	695711	Armature-Magneto	604A	695749	Cover-Control
270	691027	Nut (Control Wire Casing)	334	699477	Screw (Magneto Armature)	604B	790473	Cover-Control
271	691028	Lever-Control	337	491055S	Spark-Plug	608A	699335	Starter-Rewind
			347	698338	Switch-Rocker	613D	699209	Screw (Muffler)
			356C	695630	Wire-Stop	615	692576	Retainer-Governor Shaft
			356L	790552	Wire-Stop	616	692547	Crank-Governor
			358	699638	Set-Engine Gasket	619	699230	Screw (Cylinder Head Plate)
			363	19069	Puller-Flywheel	632	692653	Spring/Link-Mechanical Governor
			365	699484	Screw (Carburetor)	633	♦♦693867	Seal-Choke/Throttle Shaft (Choke)
			383	19374S	Wrench-Spark Plug	633A	♦♦691321	Seal-Choke/Throttle Shaft (Throttle)
			455	692591	Cup-Flywheel			
			456	692299	Plate-Pawl Friction			
			459	281505S	Pawl-Ratchet			
			472A	790553	Knob-Choke Shaft			
			474	694457	Alternator			

★ Included in Engine Gasket Set-Ref. No.358.

● Included in Carburetor Overhaul Kit-Ref. No. 121.

◆ Included in Carburetor Gasket Set-Ref. No. 977.

⊘ Included in Valve Gasket Set-Ref. No 1095.

Illustrations cover a range of engines. Parts shown without corresponding text may not be used on your specific engine.

REF. NO.	PART NO.	DESCRIPTION	REF. NO.	PART NO.	DESCRIPTION	REF. NO.	PART NO.	DESCRIPTION
635A	692927	Boot-Sparkplug	892	791944	Switch-Key (Used After Code Date 05101800).	1023	499924	Cover-Rocker Arm
663	699854	Screw (Control Panel)			----- Note -----	1026	790287	Rod-Push
689	691855	Spring-Friction			696749 Switch-Key (Used Before Code Date 05101900).	1029	691230	Arm-Rocker
692	690572	Spring-Detent				1034	691343	Guide-Push Rod
718	690959	Pin-Locating	914	699481	Screw (Rocker Cover) (Bottom)	1036		Label-Emission (Available From An Authorized Briggs & Statton Sevice Dealer)
731A	790554	Hood-Snow				1054	280275	Tie-Cable
731B	791943	Hood-Snow (Used After Code Date 05101800). ----- Note ----- 790547 Hood-Snow (Used Before Code Date 05101900).	914A	692557	Screw (Rocker Cover) (Top)	1058	275964	Owner's Manual
			914B	697551	Screw (Rocker Cover) (Center)	1070	699201	Screw (Flywheel Fan)
741	695087	Gear-Timing	930	696709	Guard-Rewind	1095	698215	Gasket Set-Valve
742	692564	Retainer-E Ring	957	694261	Cap-Fuel Tank (Plastic)	1119	699772	Screw (Alternator)
746	692566	Gear-Idler	958	698180	Valve-Fuel Shut Off (Plastic)	1196	696692	Screw (Snow Hood)
830	694544	Stud (Rocker Arm)	972	694260	Tank-Fuel (Plastic)	1196A	699854	Screw (Snow Hood)
842	691031	Seal-O Ring (Dipstick Tube)	975	493640	Bowl-Float	1210	498144	Pulley/Spring Assembly (Pulley)
847	693617	Dipstick/Tube Assembly ----- Note ----- 790545 Dipstick/Tube Assembly Used on Type No(s). 0251.	976	790221	Primer-Carburetor	1211	498144	Pulley/Spring Assembly (Spring)
			977	697001	Gasket Set-Carburetor	1230	699847	Screw (Control Bracket)
851	493880S	Terminal-Spark Plug	990	695756	Key-Set	1251A	790555	Shield-Snow
868	★Ø692044	Seal-Valve	993	★Ø694088	Gasket-Cylinder Head Plate	1251B	790556	Shield-Snow
883A	★691893	Gasket-Exhaust	998	696683	Pipe-Oil	1252	699234	Screw (Snow Shield)
			1005	692592	Fan-Flywheel	1252A	699632	Screw (Snow Shield)
			1019	790459	Kit-Label	1330	272147	Repair Manual
			1022	★Ø691890	Gasket-Rocker Cover			

★ Included in Engine Gasket Set-Ref. No.358.

● Included in Carburetor Overhaul Kit-Ref. No. 121.

◆ Included in Carburetor Gasket Set-Ref. No. 977.

Ø Included in Valve Gasket Set-Ref. No 1095.

Illustrations cover a range of engines. Parts shown without corresponding text may not be used on your specific engine.