

12B800 to 12B899

Illustrated Parts List

Model Series

12B800 to 12B899

TYPE NUMBERS
0600, 0808, 1108.

TO FIND
THE CORRECT NUMBER OF THE PART YOU NEED:
FOLLOW THE INSTRUCTIONS BELOW

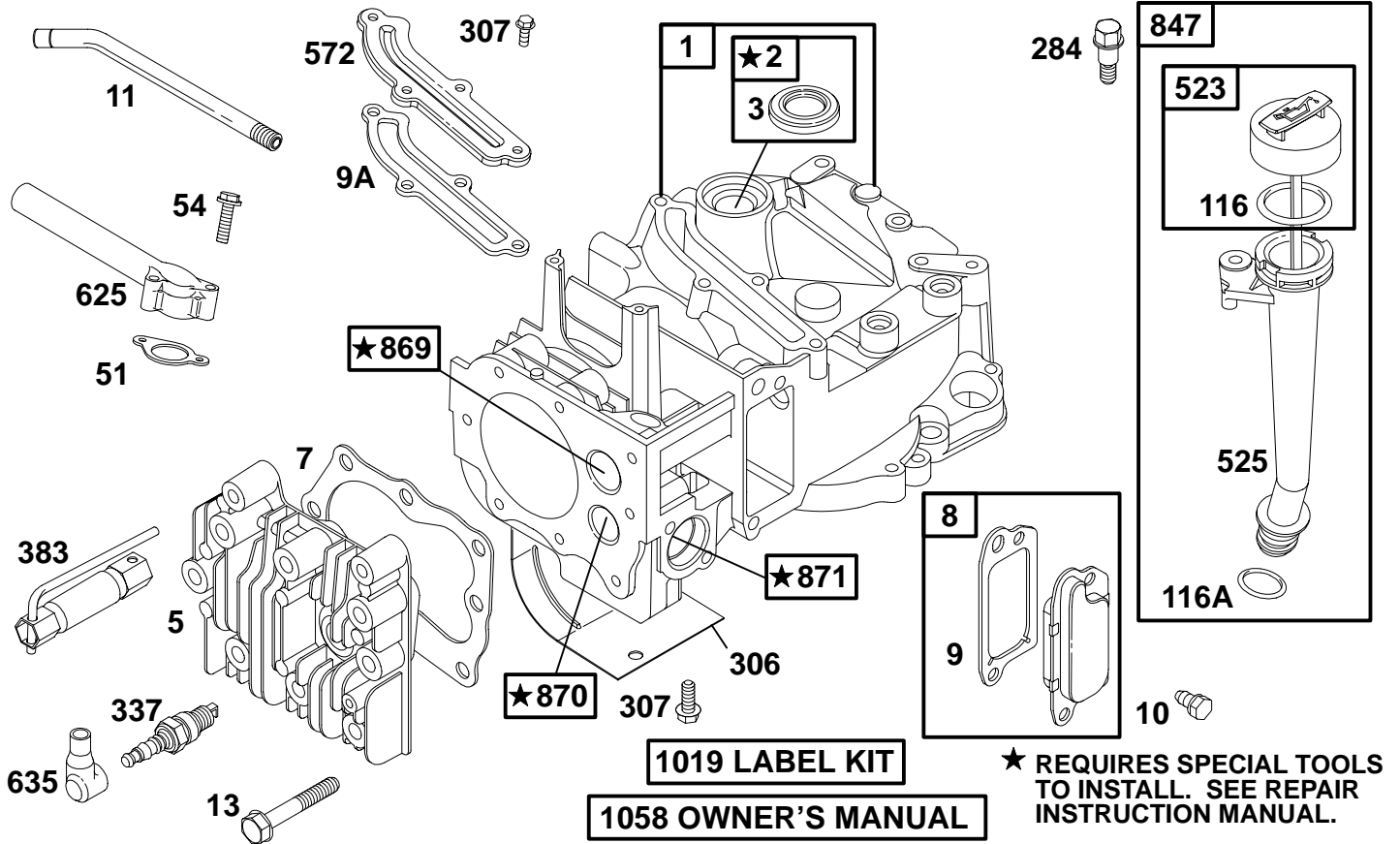
- A. Refer to Engine Model, Type and Code Number that is stamped on the blower housing of engine. Engine type numbers such as 0123 01 are listed only as 0123 in most instances. The two digits (01 or 02, etc.) to the right of the space may be required for more accurate parts identification in some instances. Select the Illustrated Parts List covering the correct Model Series and Type Number.
- B. Refer to the Illustrations and compare the original part with Illustration. The number next to the illustration is the Reference Number. Assemblies include all parts shown in frames. All parts shown in assembly frames having individual reference numbers can be purchased separately.
- C. After the Reference Number has been identified, refer to the Numerical text, where Reference and Primary Part Number are listed. **THE PRIMARY PART IS USED ON ALL TYPE NUMBERS EXCEPT THOSE TYPE NUMBERS UNDER "NOTE."**
- D. If a "Note" appears below the Primary Part Number, it means that this part differs from the Primary Part for certain types. If your Type number is listed under "Note," order the part referred to at the "Note."
- E. If your Engine Type Number does not appear after any part number listed under "Note," use the Primary Part Number.
- F. For Engine Type Numbers not covered by this book, check other Parts Lists having the same engine model or contact your source of supply.

PRINTED IN U.S.A.



COPYRIGHT by BRIGGS & STRATTON CORPORATION
All rights reserved. No part of this material may be reproduced or transmitted, in any form or by any means, electronic or mechanical, including photocopying, recording or by any information storage and retrieval system, without permission in writing from Briggs & Stratton Corporation.

12B800 to 12B899

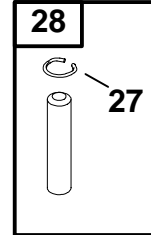
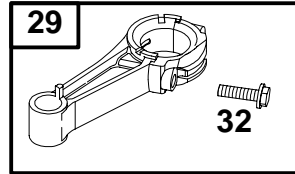
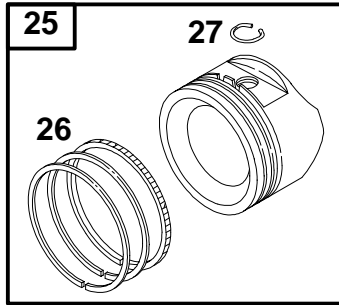


REF. NO.	PART NO.	DESCRIPTION	REF. NO.	PART NO.	DESCRIPTION	REF. NO.	PART NO.	DESCRIPTION
1	493260	Cylinder Assembly	10	94955	Screw-Hex.	625	497465	Manifold-Intake
2	293708	Bushing	11	231685	Tube-Breather	635	66538	Boot-Spark Plug
3	★299819	Seal-Oil	13	94547	Screw-Hex.	847	495263	Dipstick/Tube Assembly
5	214626	Head-Cylinder (Used After Code Date 96060200).	51	★272199	Gasket-Intake	869	213512	Seat-Valve (Intake)
		Note _____	54	94526	Screw-Hex.	870	213513	Seat-Valve (Exhaust)
		214349 Head Cylinder (Used Before Code Date 96060300).	116	★280393	Seal-O-Ring	871	262001	Bushing-Guide (Exhaust)
7	★Ø272916	Gasket-Cylinder Head	116A	★280966	Seal-O-Ring			Note _____
8	495786	Breather Assembly	284	94511	Screw-Shoulder			63709 Bushing-Guide (Intake)
9	★Ø272481	Gasket-Breather	306	224324	Shield-Cylinder	1019	494256	Label Kit
9A	★272238	Gasket-Breather	307	94515	Screw-Hex.	1058	272262	Owner's Manual
			337	802592	Plug-Spark			
			383	89838	Wrench-Spark Plug			
			523	495264	Dipstick			
			525	495265	Tube-Oil Fill			
			572	224328	Cover-Breather			

★ Included in Gasket Set-Part Number 497316.
● Included in Carburetor Kit-See Ref. No. 121.

◆ Included in Carburetor Gasket Set-See Ref. No. 977.
Ø Included in Valve Overhaul Gasket Set-Part No. 498528.

12B800 to 12B899

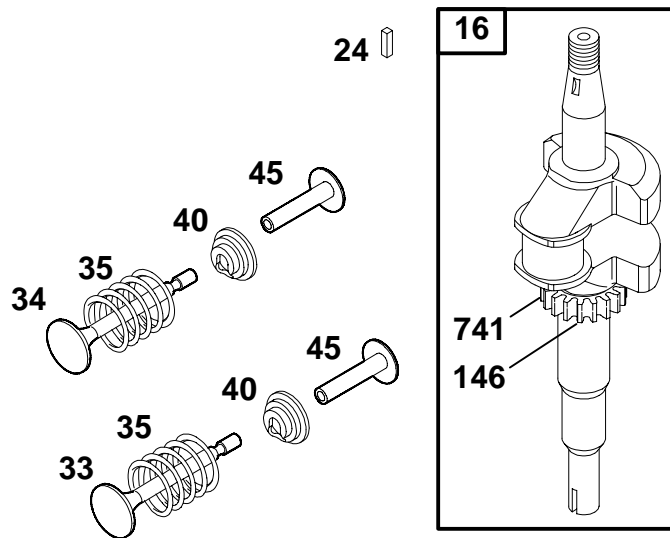


REF. NO.	PART NO.	DESCRIPTION	REF. NO.	PART NO.	DESCRIPTION	REF. NO.	PART NO.	DESCRIPTION						
25	499429	Piston Assembly (Standard) (Used After Code Date 97011200). ———— Note ———— 493262 Piston Assy. (Standard) (Used Before Code Date 97011300). ———— 499430 Piston Assy. (.010" O.S.) (Used After Code Date 97011200). 493385 Piston Assy. (.010" O.S.) (Used Before Code Date 97011300). ———— 499431 Piston Assy. (.020" O.S.) (Used After Code Date 97011200). 493386 Piston Assy. (.020" O.S.) (Used Before Code Date 97011300). ———— 499432 Piston Assy. (.030" O.S.) (Used After Code Date 97011200). 493387 Piston Assy. (.030" O.S.) (Used Before Code Date 97011300).	26	499425	Ring Set (Standard) (Used After Code Date 97011200). ———— Note ———— 493261 Ring Set (Standard) (Used Before Code Date 97011300). ———— 499426 Ring Set (.010" O.S.) (Used After Code Date 97011200). 493388 Ring Set (.010" O.S.) (Used Before Code Date 97011300). ———— 499427 Ring Set (.020" O.S.) (Used After Code Date 97011200). 493389 Ring Set (.020" O.S.) (Used Before Code Date 97011300). ———— 499428 Ring Set (.030" O.S.) (Used After Code Date 97011200). 493390 Ring Set (.030" O.S.) (Used Before Code Date 97011300).	27	263190	Lock-Piston Pin (Used After Code Date 97011200). ———— Note ———— 26026 Lock-Piston Pin (Used Before Code Date 97011300). 28	499423	Pin-Piston (Standard) (Used After Code Date 97011200). ———— Note ———— 298909 Pin-Piston (Standard) (Used Before Code Date 97011300). 298908 Pin-Piston (.005" O.S.) (Used Before Code Date 97011300). 29	499424	Rod-Connecting (Standard) (Used After Code Date 97011200). ———— Note ———— 490566 Rod-Connecting (Standard) (Used Before Code Date 97011300). 490743 Rod-Connecting (.020" Undersize) (Used Before Code Date 97011300). 32	94699	Screw-Connecting Rod

★ Included in Gasket Set-Part Number 497316.
● Included in Carburetor Kit-See Ref. No. 121.

◆ Included in Carburetor Gasket Set-See Ref. No. 977.
⊘ Included in Valve Overhaul Gasket Set-Part No. 498528.

12B800 to 12B899

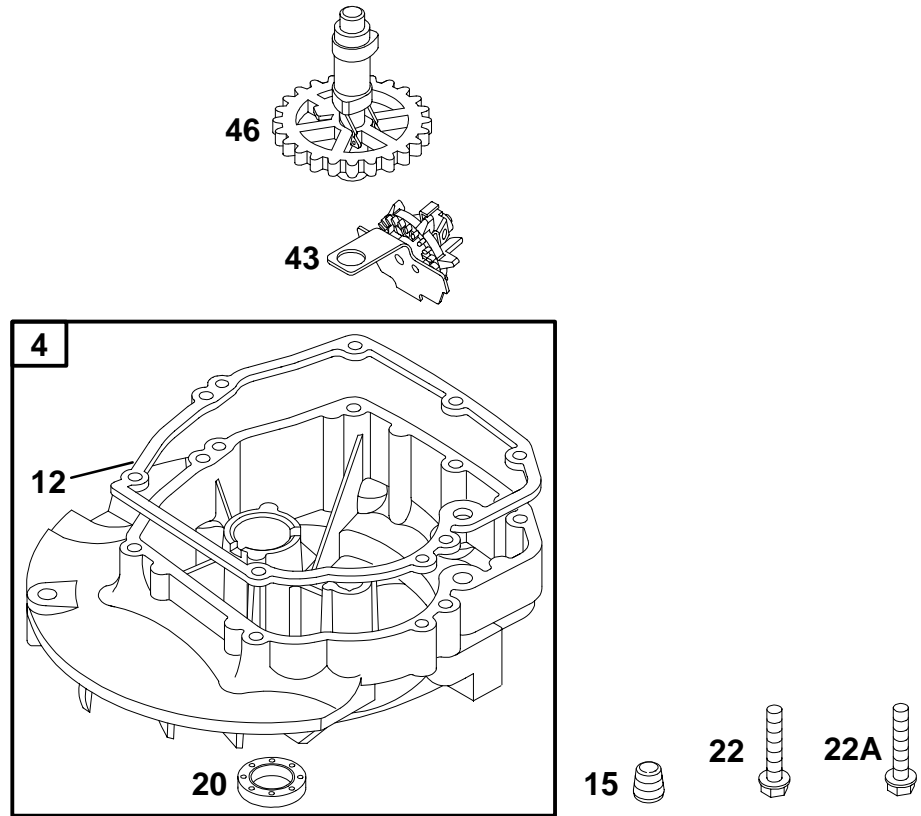


REF. NO.	PART NO.	DESCRIPTION	REF. NO.	PART NO.	DESCRIPTION	REF. NO.	PART NO.	DESCRIPTION
16	498562	Crankshaft (Used After Code Date 97011200). Note 493282 Crankshaft (Used Before Code Date 97011300).	24	222698	Key-Flywheel	40	93312	Retainer-Valve
			33	262651	Valve-Exhaust	45	262204	Tappet-Valve
			34	262652	Valve-Intake	146	94388	Key-Timing
			35	262224	Spring-Valve	741	262598	Gear-Timing

★ Included in Gasket Set-Part Number 497316.
● Included in Carburetor Kit-See Ref. No. 121.

◆ Included in Carburetor Gasket Set-See Ref. No. 977.
∅ Included in Valve Overhaul Gasket Set-Part No. 498528.

12B800 to 12B899

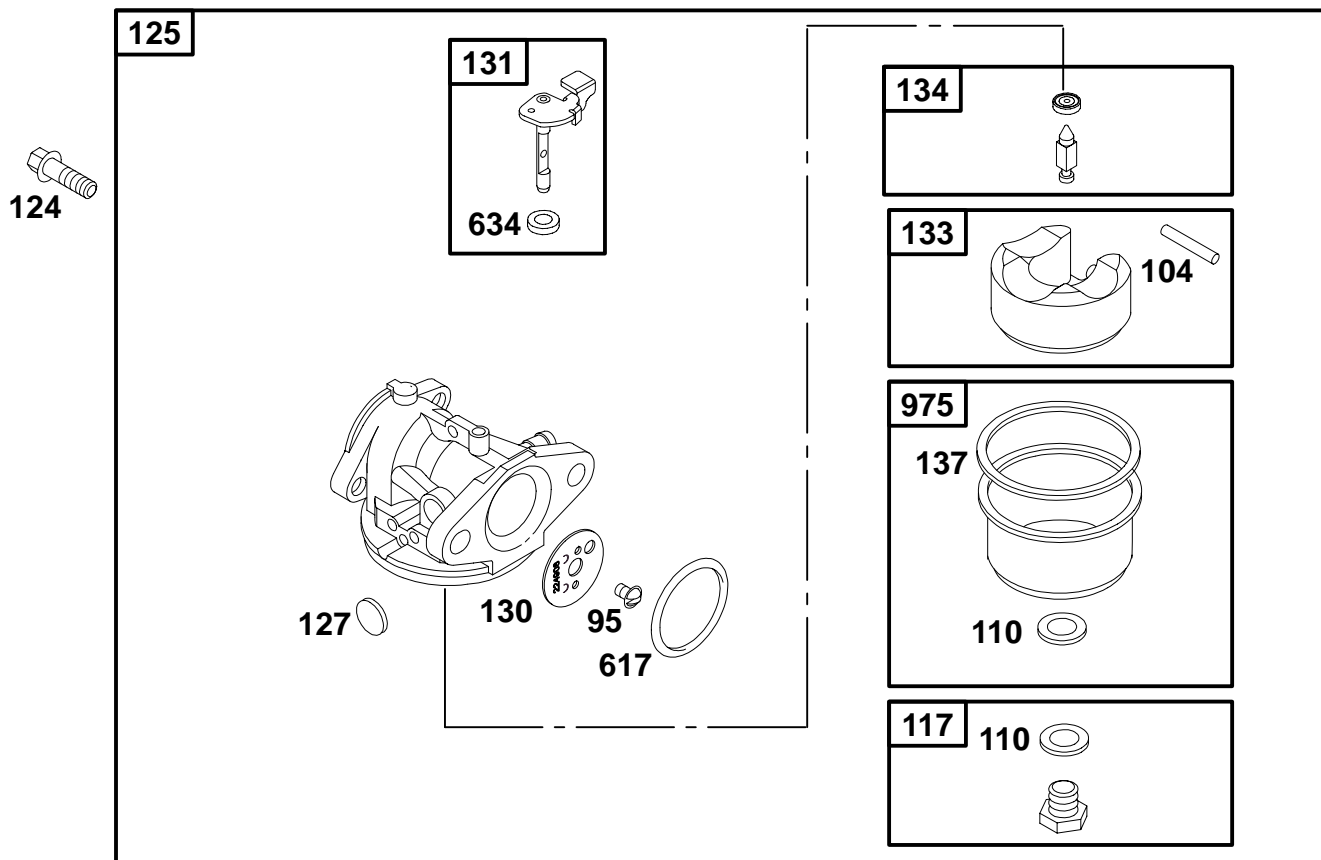


REF. NO.	PART NO.	DESCRIPTION	REF. NO.	PART NO.	DESCRIPTION	REF. NO.	PART NO.	DESCRIPTION
4	493279	Sump-Engine	22A	94612	Screw-Hex. (Use in Hole Nearest Breather)	46	498275	Gear-Cam (Used After Code Date 96060200).
12	★272198	Gasket-Crankcase	43	493737	Governor/Oil Slinger	<p align="center">Note</p> <p>492830 Gear-Cam (Used Before Code Date 96060300).</p>		
15	94880	Plug-Oil Drain						
20	★399781	Seal-Oil						
22	94220	Screw-Hex.						

★ Included in Gasket Set-Part Number 497316.
● Included in Carburetor Kit-See Ref. No. 121.

◆ Included in Carburetor Gasket Set-See Ref. No. 977.
∅ Included in Valve Overhaul Gasket Set-Part No. 498528.

12B800 to 12B899

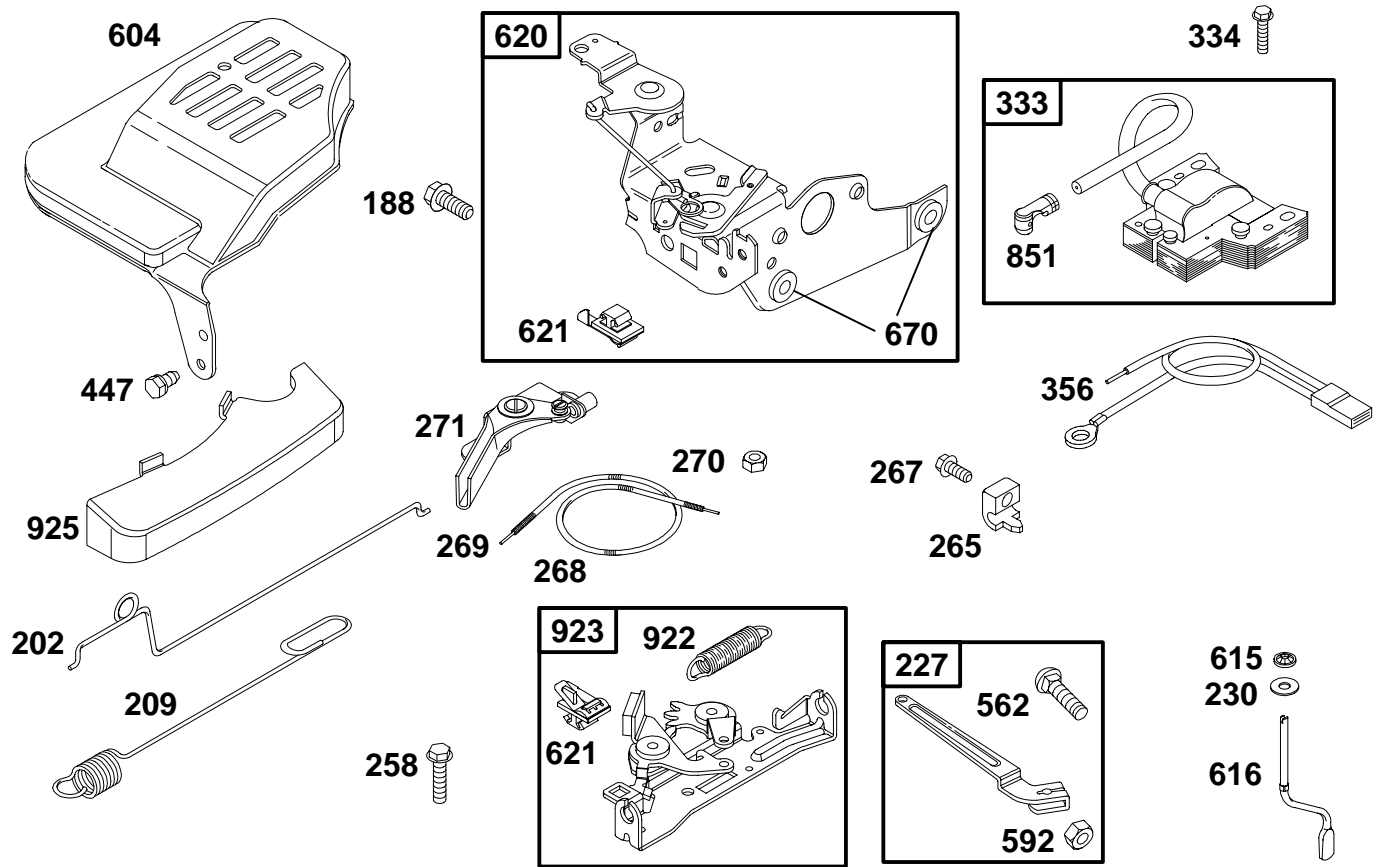


REF. NO.	PART NO.	DESCRIPTION	REF. NO.	PART NO.	DESCRIPTION	REF. NO.	PART NO.	DESCRIPTION
95	94098	Screw—Round Head	124	94525	Screw—Hex.	133	398187	Float—Carburetor
104	•231371	Pin—Float Hinge	125	498170	Carburetor (Used After Code Date 95102900).	134	•398188	Valve—Needle (Includes Seat)
110	•♦	Washer—Bowl (Sold in Kit Only)			Note	137	•♦	Gasket—Bowl (Sold in Kit Only)
117	494870	Jet—Main (Standard)			497314 Carburetor (Used Before Code Date 95103000).	617	•♦270344	Seal—Intake Manifold
		Note	127	•	Plug—Welch (Sold in Kit Only)	634	•♦	Washer—Foam (Sold in Kit Only)
		497315 Jet—Main (Standard) (Used Before Code Date 95103000).	130	224908	Valve—Throttle	975	493640	Bowl—Float
		497315 Jet—Main (High Altitude)	131	493267	Shaft—Throttle			
		497348 Jet—Main (High Altitude) (Used Before Code Date 95103000).						

★ Included in Gasket Set—Part Number 497316.
● Included in Carburetor Kit—See Ref. No. 121.

◆ Included in Carburetor Gasket Set—See Ref. No. 977.
⊘ Included in Valve Overhaul Gasket Set—Part No. 498528.

12B800 to 12B899

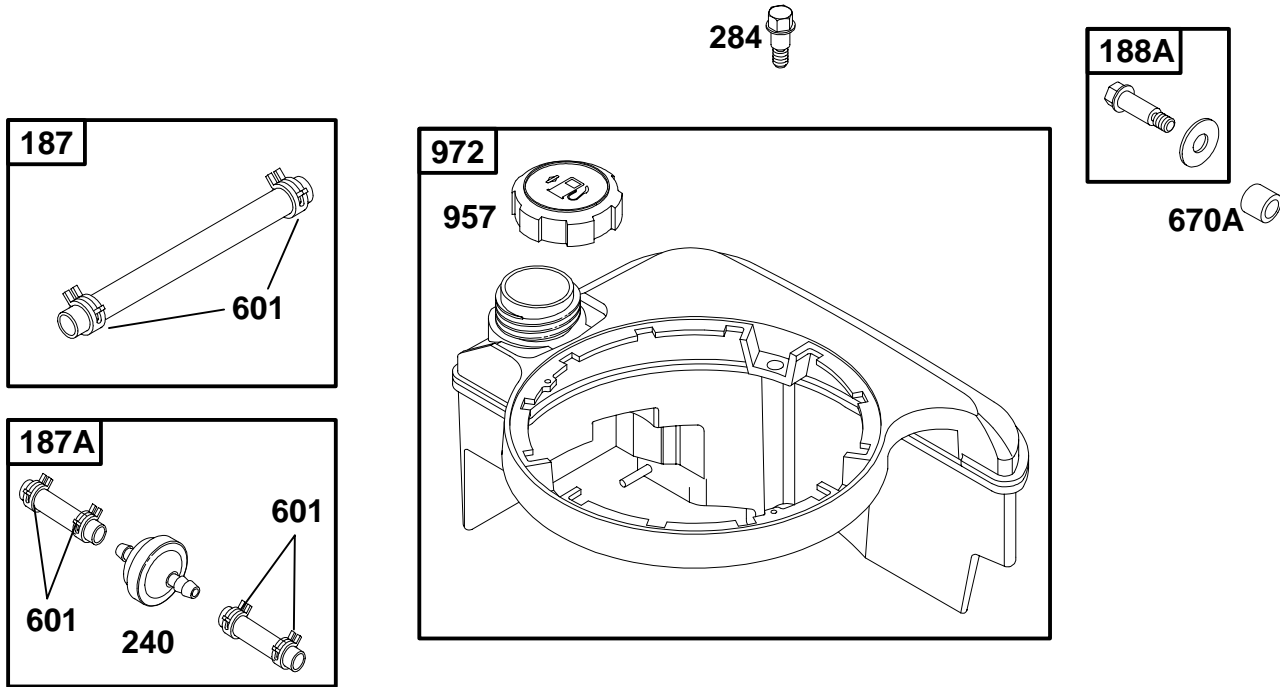


REF. NO.	PART NO.	DESCRIPTION	REF. NO.	PART NO.	DESCRIPTION	REF. NO.	PART NO.	DESCRIPTION
188	94644	Screw—Hex.	269	26633	Wire—Control (Cut to Required Length)	592	231082	Nut—Hex.
202	262579	Link—Mechanical Governor			Note ———	604	225103	Cover—Control
209	263046	Spring—Governor			26099 Wire—Control (Cut to Required Length)	615	94474	Retainer—Governor
227	492349	Lever—Governor	270	63426	Locknut—Casing	616	263175	Crank—Governor
230	67072	Washer	271	290568	Lever—Control	620	497203	Bracket—Control
258	94512	Screw—Slotted Hex.	333	802574	Armature—Magneto	621	396847	Switch—Stop
265	213146	Clamp—Casing	334	94731	Screw—Hex.	670	★493823	Spacer (Includes 2)
267	94882	Screw—Slotted Hex.	356	398808	Wire—Stop	851	493880	Terminal—Cable
268	65616	Casing—Wire (Cut to Required Length)	447	93801	Screw—Hex.	922	262640	Spring—Brake
		Note ———	562	94907	Bolt—Governor Lever	923	493442	Brake
		66986 Casing—Wire (Cut to Required Length)				925	281145	Cover—Linkage

★ Included in Gasket Set—Part Number 497316.
● Included in Carburetor Kit—See Ref. No. 121.

◆ Included in Carburetor Gasket Set—See Ref. No. 977.
⊘ Included in Valve Overhaul Gasket Set—Part No. 498528.

12B800 to 12B899

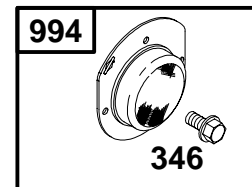
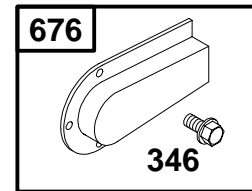
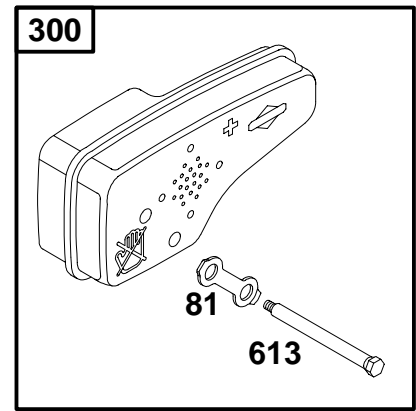
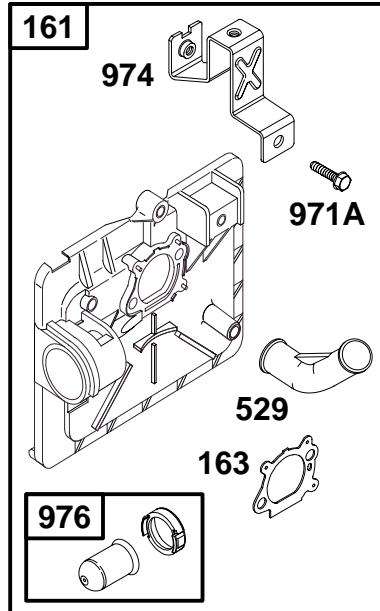
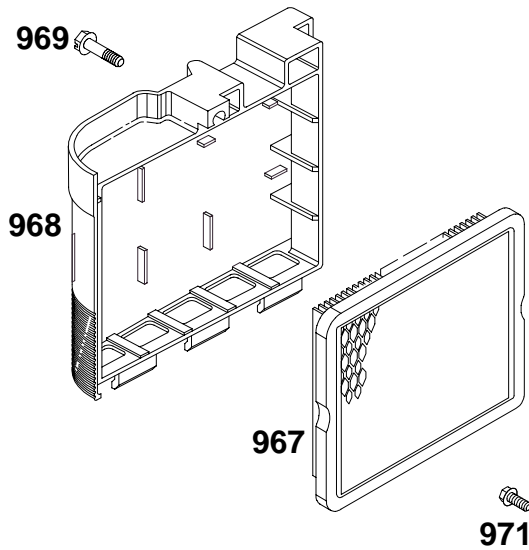


REF. NO.	PART NO.	DESCRIPTION	REF. NO.	PART NO.	DESCRIPTION	REF. NO.	PART NO.	DESCRIPTION
187	492790	Line-Fuel	240	298090	Filter-Fuel	670A	280512	Spacer-Fuel Tank
187A	498171	Line-Fuel	284	94511	Screw-Shoulder	957	397974	Cap-Fuel Tank
188A	398540	Screw-Shoulder	601	93053	Clamp-Hose	972	495224	Tank-Fuel

★ Included in Gasket Set-Part Number 497316.
 ● Included in Carburetor Kit-See Ref. No. 121.

◆ Included in Carburetor Gasket Set-See Ref. No. 977.
 ∅ Included in Valve Overhaul Gasket Set-Part No. 498528.

12B800 to 12B899

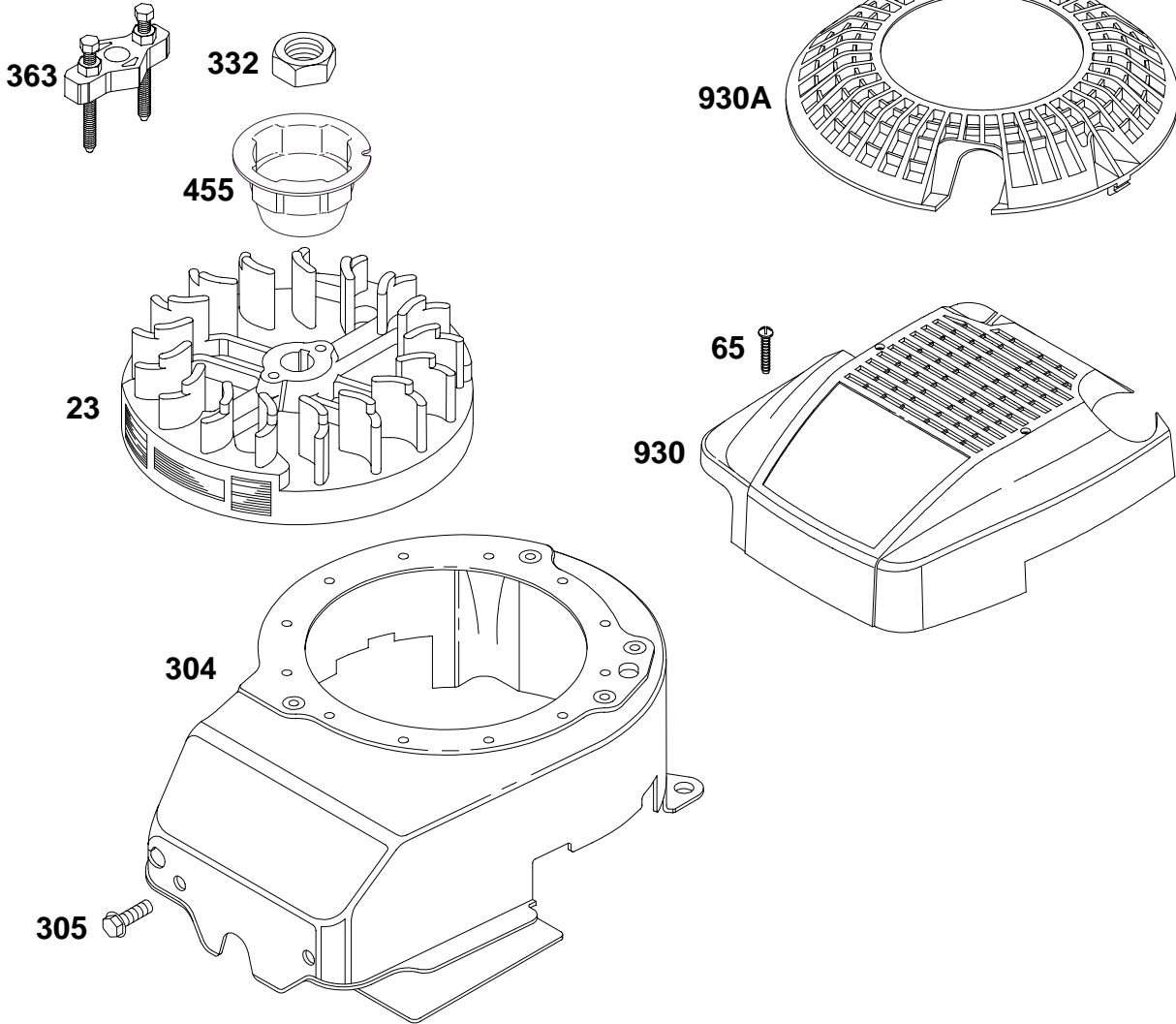


REF. NO.	PART NO.	DESCRIPTION	REF. NO.	PART NO.	DESCRIPTION	REF. NO.	PART NO.	DESCRIPTION
81	223664	Lock-Muffler Screw	613	94231	Screw-Shoulder	971	94873	Screw-Hex.
161	496116	Base-Air Cleaner	676	493871	Deflector-Muffler	971A	94749	Screw-Hex.
163★◆	272653	Gasket-Air Cleaner	967	491588	Filter-Air	974	224815	Bracket-Support
300	496106	Muffler-Exhaust	968	281340	Cover-Air Cleaner	976	496115	Primer-Carburetor
346	93705	Screw-Hex.	969	94872	Screw-Slotted Hex.	994	398067	Arrester-Spark
529	281299	Grommet						

★ Included in Gasket Set-Part Number 497316.
 ● Included in Carburetor Kit-See Ref. No. 121.

◆ Included in Carburetor Gasket Set-See Ref. No. 977.
 ∅ Included in Valve Overhaul Gasket Set-Part No. 498528.

12B800 to 12B899

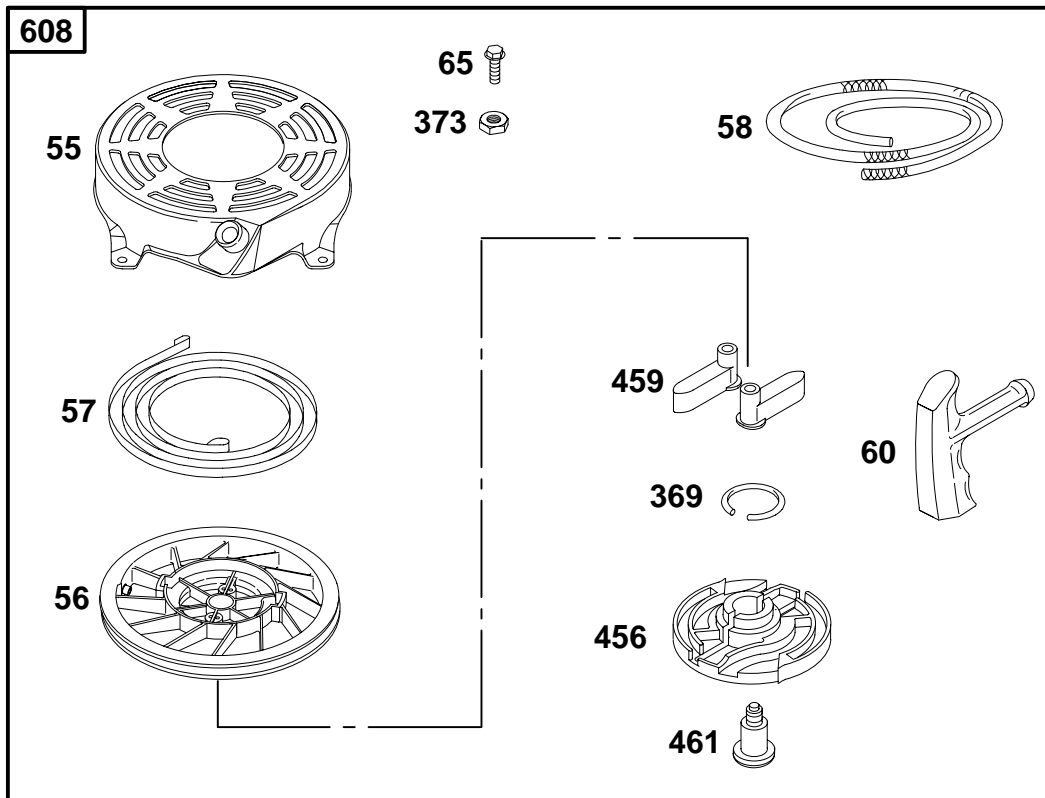


REF. NO.	PART NO.	DESCRIPTION	REF. NO.	PART NO.	DESCRIPTION	REF. NO.	PART NO.	DESCRIPTION
23	492177	Flywheel	305	94744	Screw-Hex.	455	225121	Cup-Flywheel
65	94696	Screw-Phillips	332	92284	Nut-Flywheel	930	497233	Cover-Blower Housing
304	493293	Housing-Blower	363	19069	Flywheel Puller	930A	281136	Guard-Rewind

★ Included in Gasket Set-Part Number 497316.
 ● Included in Carburetor Kit-See Ref. No. 121.

◆ Included in Carburetor Gasket Set-See Ref. No. 977.
 ∅ Included in Valve Overhaul Gasket Set-Part No. 498528.

12B800 to 12B899

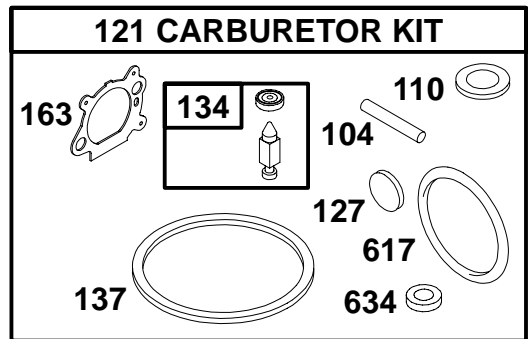
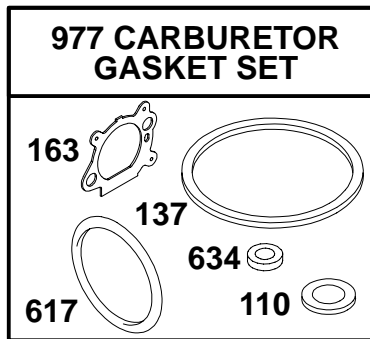
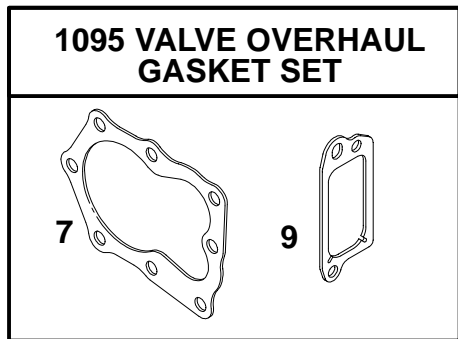
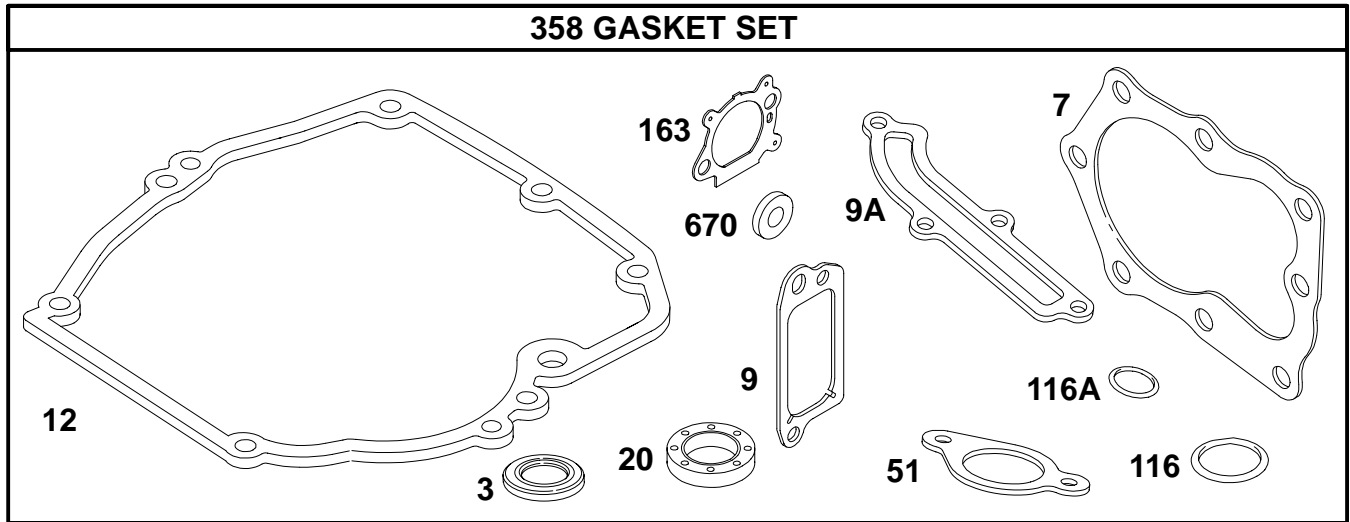


REF. NO.	PART NO.	DESCRIPTION	REF. NO.	PART NO.	DESCRIPTION	REF. NO.	PART NO.	DESCRIPTION
55	497440	Housing-Rewind Starter	58	280399	Rope-Starter (Cut To Required Length)	373	92987	Nut-Hex.
56	281504	Pulley-Starter	60	281434	Grip-Starter Rope	456	281503	Plate-Pawl Friction
57	263074	Spring-Rewind Starter	65	94686	Screw-Hex.	459	281505	Pawl-Ratchet
			369	263073	Spring-Friction	461	94943	Screw-Shoulder
						608	497680	Starter-Rewind

★ Included in Gasket Set-Part Number 497316.
● Included in Carburetor Kit-See Ref. No. 121.

◆ Included in Carburetor Gasket Set-See Ref. No. 977.
⊘ Included in Valve Overhaul Gasket Set-Part No. 498528.

12B800 to 12B899



REF. NO.	PART NO.	DESCRIPTION	REF. NO.	PART NO.	DESCRIPTION	REF. NO.	PART NO.	DESCRIPTION
	3	★299819 Seal—Oil		121	498260 Carburetor Kit (Used After Code Date 95110200).		617	◆◆270344 Seal—Intake Manifold Washer (Sold in Kit Only) (Includes 2)
	7	★∅272916 Gasket—Cylinder Head			Note		634	◆◆ Washer (Sold in Kit Only) (Includes 2)
	9	★∅272481 Gasket—Breather			493762 Carburetor Kit (Used Before Code Date 95110300).		670	★493823 Spacer
	9A	★272238 Gasket—Breather		127	● Plug—Welch (Sold in Kit Only)		977	498261 Gasket Set—Carburetor (Used After Code Date 95110200).
	12	★272198 Gasket—Crankcase		134	●398188 Valve—Needle (Includes Seat)			Note
	20	★399781 Seal—Oil		137	◆◆ Gasket—Float Bowl (Sold in Kit Only)			490937 Gasket Set—Carburetor (Used Before Code Date 95110300).
	51	★272199 Gasket—Intake		163	★◆◆272653 Gasket—Air Cleaner		1095	498528 Gasket Set—Valve Overhaul
	104	●231371 Pin—Float Hinge		358	497316 Gasket Set			
	110	◆◆ Seal—O-Ring (Sold in Kit Only)						
	116	★280393 Seal—O-Ring						
	116A	★280966 Seal—O-Ring						

★ Included in Gasket Set—Part Number 497316.
 ● Included in Carburetor Kit—See Ref. No. 121.

◆◆ Included in Carburetor Gasket Set—See Ref. No. 977.
 ∅ Included in Valve Overhaul Gasket Set—Part No. 498528.