



12A100

Illustrated Parts List Model Series 12A100

TYPE NUMBERS
0350.

TABLE OF CONTENTS

- Blower Housing/Shrouds** 6
- Camshaft** 2
- Carburetor** 4
- Controls** 5
- Crankcase Cover** 2
- Crankshaft** 2
- Cylinder** 2
- Cylinder Head** 3
- Electric Starter** 5
- Exhaust System** 6
- Flywheel** 6
- Fuel Supply** 4
- Governor Spring** 5
- Ignition** 5
- Kits/Gaskets – Carburetor** 4
- Kits/Gaskets – Engine** 2
- Kits/Gaskets – Valves** 3
- Lubrication** 2
- Piston Group** 2
- Rewind Starter** 5

PRINTED IN U.S.A.



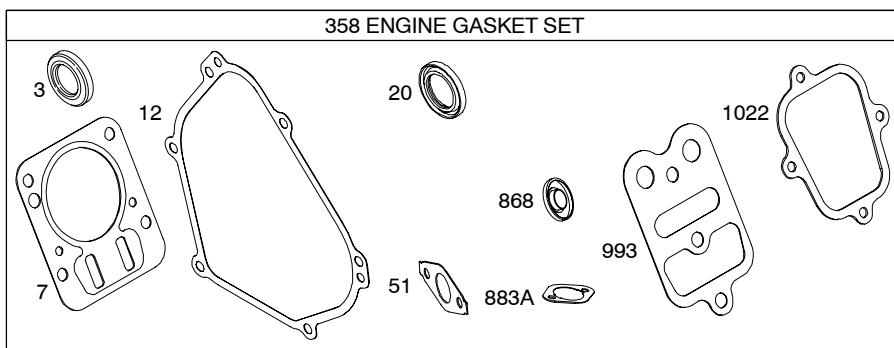
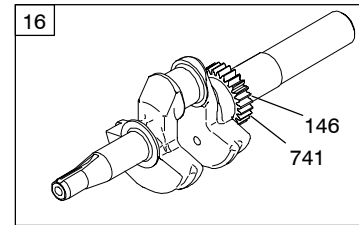
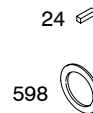
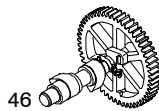
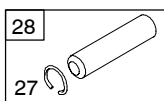
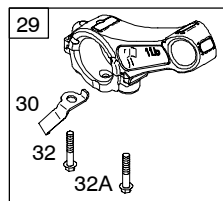
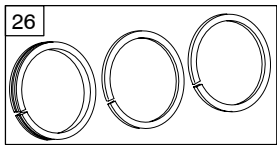
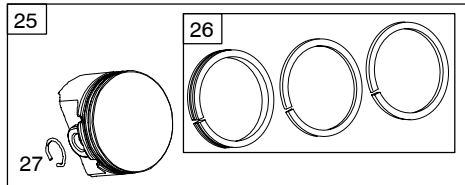
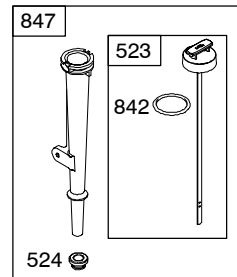
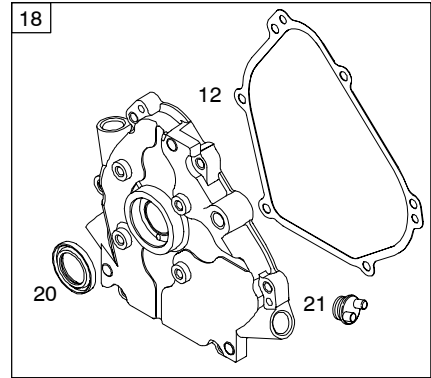
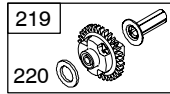
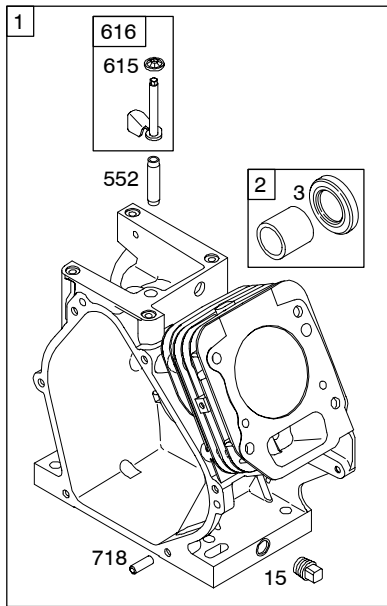
COPYRIGHT by BRIGGS & STRATTON CORPORATION
All rights reserved. No part of this material may be reproduced or transmitted, in any form or by any means, electronic or mechanical, including photocopying, recording or by any information storage and retrieval system, without permission in writing from Briggs & Stratton Corporation.

12A100

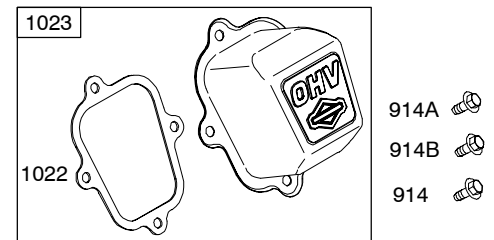
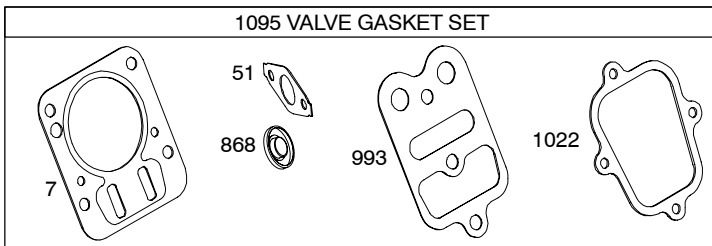
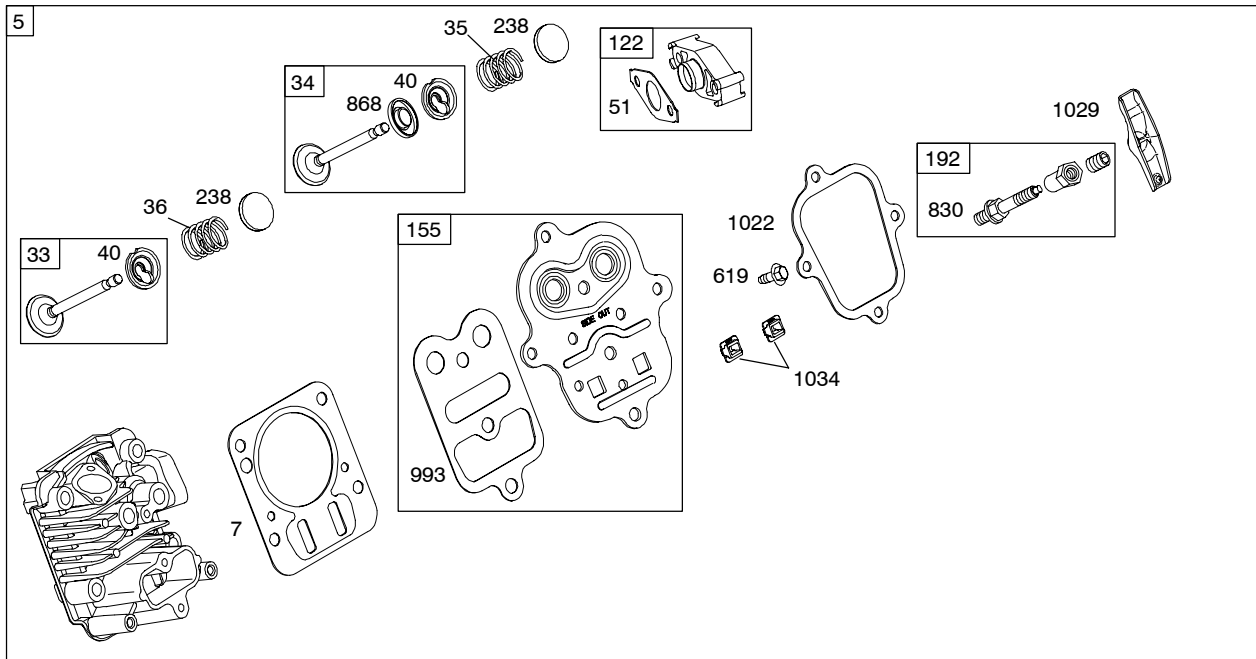
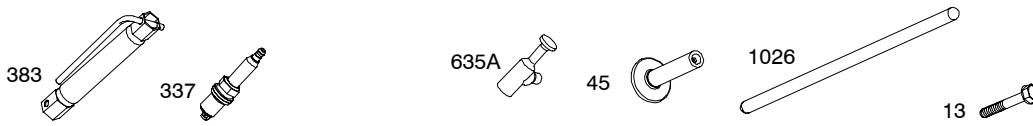
1019 LABEL KIT

1058 OWNER'S MANUAL

1330 REPAIR MANUAL

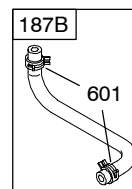
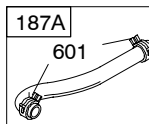
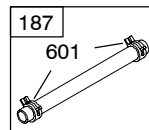
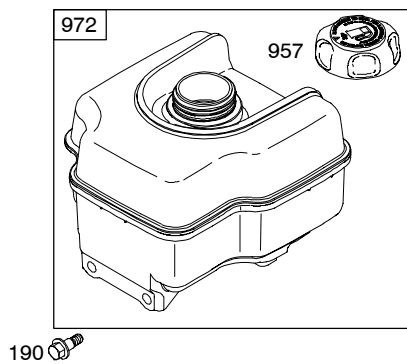
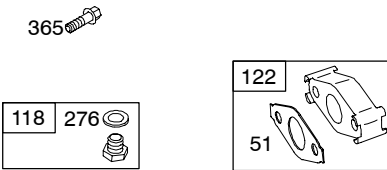
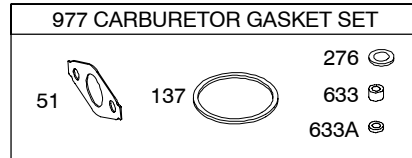
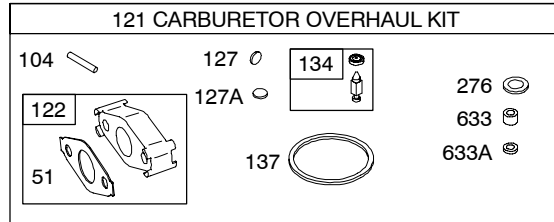
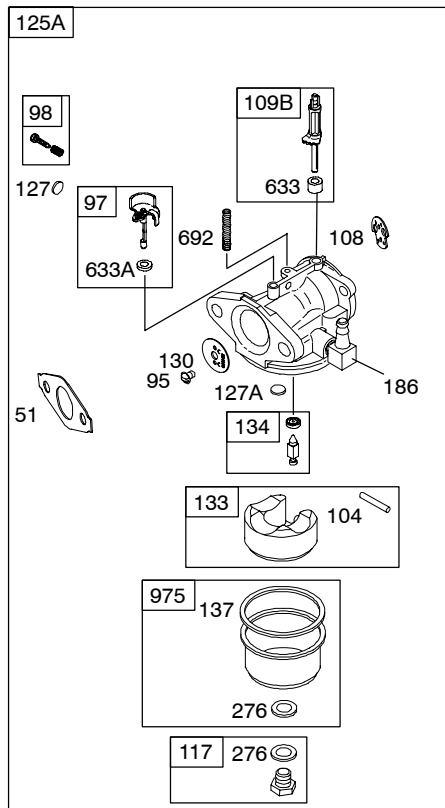


Illustrations cover a range of engines. Parts shown without corresponding text may not be used on your specific engine.

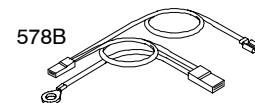
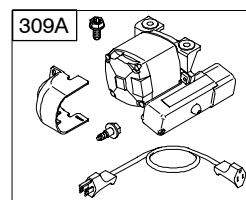
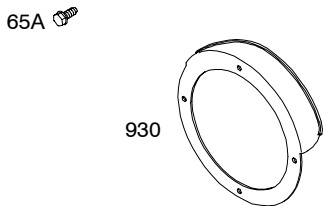
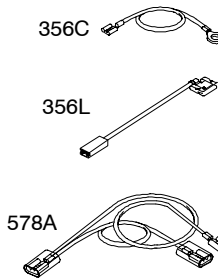
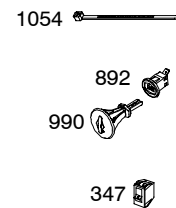
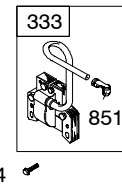
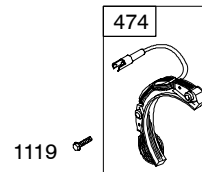
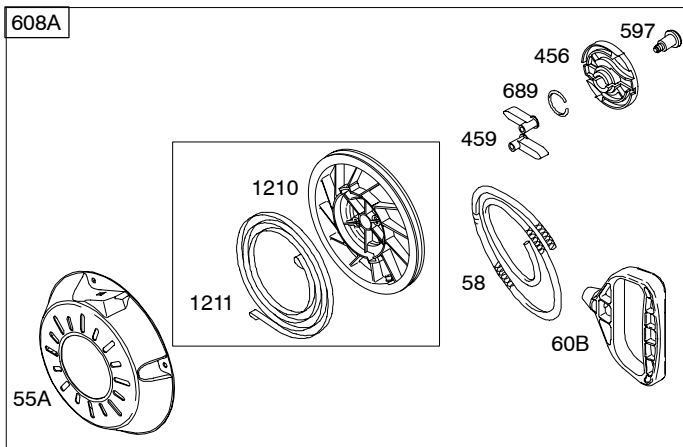
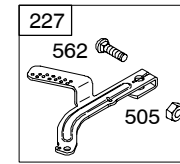
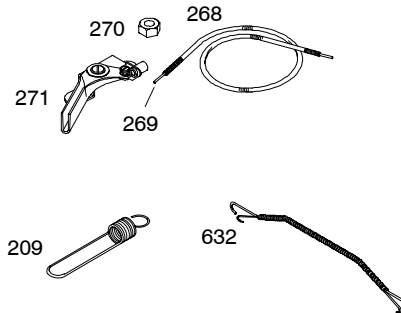
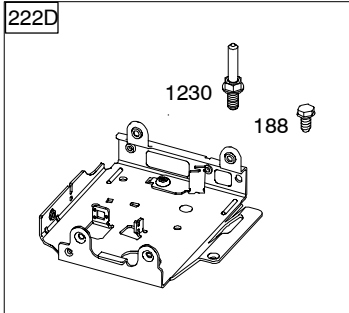


Illustrations cover a range of engines. Parts shown without corresponding text may not be used on your specific engine.

12A100

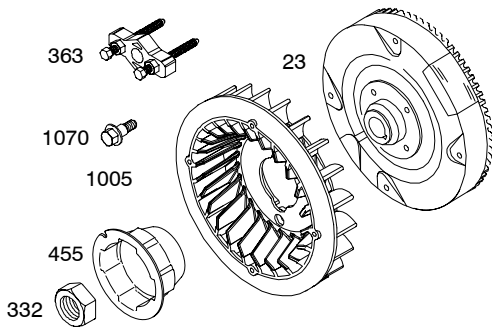
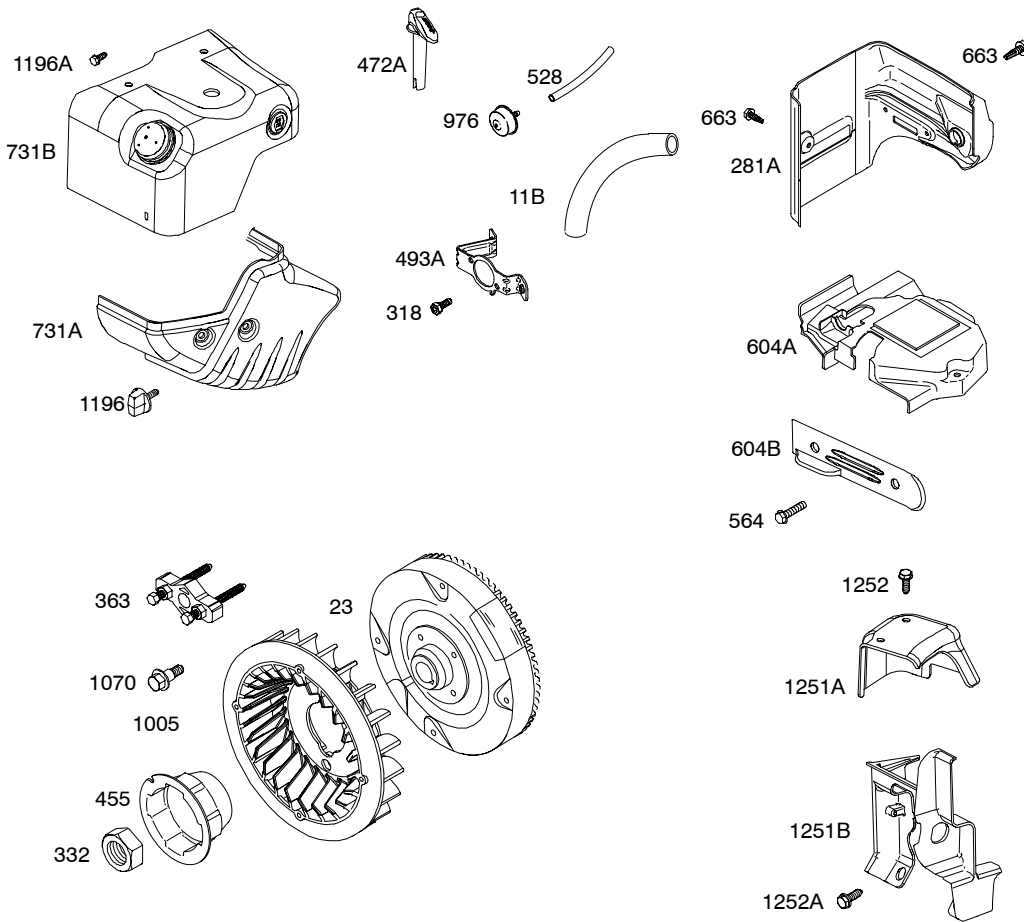


Illustrations cover a range of engines. Parts shown without corresponding text may not be used on your specific engine.

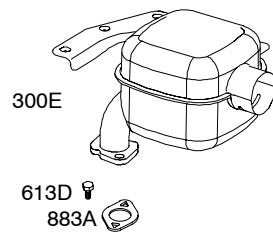
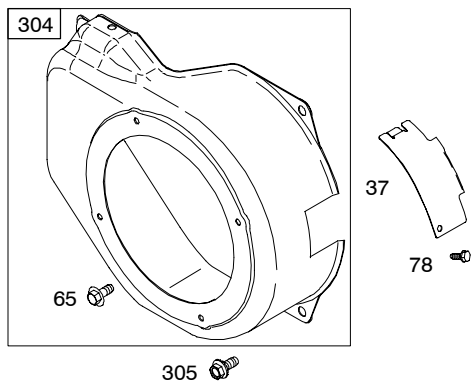


Illustrations cover a range of engines. Parts shown without corresponding text may not be used on your specific engine.

12A100



1036 EMISSION LABEL



Illustrations cover a range of engines. Parts shown without corresponding text may not be used on your specific engine.

REF. NO.	PART NO.	DESCRIPTION	REF. NO.	PART NO.	DESCRIPTION	REF. NO.	PART NO.	DESCRIPTION
1	699510	Cylinder Assembly	26	791969	Ring Set (Standard) (Used After Code Date 05060600).	60B	699334	Grip-Starter Rope
2	399269	Kit-Bushing/Seal (Magneto Side)				65	699228	Screw (Rewind Starter)
3	★299819S	Seal-Oil (Magneto Side)			----- Note -----	65A	699851	Screw (Rewind Starter)
5	699486	Head-Cylinder			499631 Ring Set (Standard) (Used Before Code Date 05060700).	78	699205	Screw (Flywheel Guard)
7	★∅698210	Gasket-Cylinder Head			791324 Ring Set (.020" Oversize) (Used After Code Date 05060600).	95	691636	Screw (Throttle Valve)
11B	695745	Tube-Breather			692786 Ring Set (.020" Oversize) (Used Before Code Date 05060700).	97	690024	Shaft-Throttle
12	★699485	Gasket-Crankcase	27	691866	Lock-Piston Pin	98	398185	Kit-Idle Speed
13	699482	Screw (Cylinder Head)	28	499423	Pin-Piston	104	●691242	Pin-Float Hinge
15	691686	Plug-Oil Drain	29	690124	Rod-Connecting	108	695807	Valve-Choke
15B	695757	Plug-Oil Drain	30	692562	Dipper-Connecting Rod	109B	695729	Shaft-Choke
16	699454	Crankshaft			32	691664	Screw (Connecting Rod)	
18	699804	Cover-Crankcase	32A	695759	Screw (Connecting Rod)	121	696998	Kit-Carburetor Overhaul
20	★692550	Seal-Oil (PTO Side)	33	499642	Valve-Exhaust	122	●693749	Spacer-Carburetor
21	281658S	Cap-Oil Fill	34	499641	Valve-Intake	125A	791292	Carburetor
22	699478	Screw (Crankcase Cover/ Sump)	35	691304	Spring-Valve (Intake)	127	●694468	Plug-Welch
23	699516	Flywheel	36	691304	Spring-Valve (Exhaust)	127A	●691739	Plug-Welch
24	222698S	Key-Flywheel	37	699661	Guard-Flywheel	130	691181	Valve-Throttle
25	791968	Piston Assembly (Standard) (Used After Code Date 05060600). ----- Note ----- 690021 Piston Assembly (Standard) (Used Before Code Date 05060700). 791326 Piston Assembly (.020" Oversize) (Used After Code Date 05060600). 694168 Piston Assembly (.020" Oversize) (Used Before Code Date 05060700).	38	692194	Retainer-Valve	133	398187	Float-Carburetor
			40	692194	Retainer-Valve	134	●398188	Kit-Needle/Seat
			45	690977	Tappet-Valve	137	●693981	Gasket-Float Bowl
			46	693404	Camshaft	146	690979	Key-Timing
			51	★♦∅692555	Gasket-Intake (2 Required)	155	698214	Plate-Cylinder Head
			55A	696710	Housing-Rewind Starter	186	692317	Connector-Hose
			58	693389	Rope-Starter (Cut To Required Length)			

★ Included in Engine Gasket Set-Ref. No.358.

● Included in Carburetor Overhaul Kit-Ref. No. 121.

♦ Included in Carburetor Gasket Set-Ref. No. 977.

∅ Included in Valve Gasket Set-Ref. No 1095.

Illustrations cover a range of engines. Parts shown without corresponding text may not be used on your specific engine.

12A100

REF. NO.	PART NO.	DESCRIPTION	REF. NO.	PART NO.	DESCRIPTION	REF. NO.	PART NO.	DESCRIPTION
187	791766	Line-Fuel (Cut to Required Length) (Used After Code Date 05063000).	271	691028	Lever-Control	472A	790553	Knob-Choke Shaft
		----- Note -----	276	◆271716	Washer-Sealing	474	694457	Alternator
		691050 Line-Fuel (Cut to Required Length) (Used Before Code Date 05070100).	281A	699639	Panel-Control	493A	695744	Bracket-Mounting
187A	791867	Line-Fuel (Molded) (Used After Code Date 05063000).	287	699629	Screw (Dipstick Tube)	505	691251	Nut (Governor Control Lever)
		----- Note -----	300E	791940	Muffler (Used After Code Date 05101800).	523	790546	Dipstick
		692601 Line-Fuel (Molded) (Used Before Code Date 05070100).	304	699598	Housing-Blower	524	281370S	Seal-Dipstick Tube
187B	791874	Line-Fuel (Molded)	305	699480	Screw (Blower Housing)	528	695746	Hose-Primer
188	699479	Screw (Control Bracket)	306A	695710	Shield-Cylinder	552	692346	Bushing-Governor Crank
190	699220	Screw (Fuel Tank)	307	699483	Screw (Cylinder Shield)	562	691119	Bolt (Governor Control Lever)
192	694543	Ball-Rocker Arm	307A	699234	Screw (Cylinder Shield)	564	699854	Screw (Control Cover)
209	692571	Spring-Governor	307B	790557	Screw (Cylinder Shield)	578A	790481	Wire Assembly
219	693578	Gear-Governor	309A	696818	Motor-Starter	578B	791956	Wire Assembly
220	691724	Washer (Governor Gear)	318	690370	Screw (Mounting Bracket)	597	691696	Screw (Pawl Friction Plate)
222D	790549	Bracket-Control	332	699359	Nut (Flywheel)	598	220624	Shim-End Play
227	692573	Lever-Governor Control	333	695711	Armature-Magneto	601	95162S	Clamp-Hose
238	691300	Cap-Valve	334	699477	Screw (Magneto Armature)	604A	695749	Cover-Control
268	691072	Control Wire Casing (Cut to Required Length)	337	491055S	Spark-Plug	604B	790473	Cover-Control
269	691026	Control Wire (Cut to Required Length)	347	698338	Switch-Rocker	608A	699335	Starter-Rewind
270	691027	Nut (Control Wire Casing)	356C	695630	Wire-Stop	613D	699209	Screw (Muffler)
			356L	790552	Wire-Stop	615	692576	Retainer-Governor Shaft
			358	699638	Set-Engine Gasket	616	692547	Crank-Governor
			363	19069	Puller-Flywheel	619	699230	Screw (Cylinder Head Plate)
			365	699484	Screw (Carburetor)	632	692653	Spring/Link-Mechanical Governor
			383	19374S	Wrench-Spark Plug	633	◆693867	Seal-Choke/Throttle Shaft
			455	692591	Cup-Flywheel	633A	◆691321	Seal-Choke/Throttle Shaft
			456	692299	Plate-Pawl Friction	635A	692927	Boot-Sparkplug
			459	281505S	Pawl-Ratchet	663	699854	Screw (Control Panel)

★ Included in Engine Gasket Set-Ref. No.358.

● Included in Carburetor Overhaul Kit-Ref. No. 121.

◆ Included in Carburetor Gasket Set-Ref. No. 977.

⊘ Included in Valve Gasket Set-Ref. No 1095.

Illustrations cover a range of engines. Parts shown without corresponding text may not be used on your specific engine.

3403-8

Assemblies include all parts shown in frames.

11/09/2005

REF. NO.	PART NO.	DESCRIPTION	REF. NO.	PART NO.	DESCRIPTION	REF. NO.	PART NO.	DESCRIPTION
689	691855	Spring-Friction	914	699481	Screw (Rocker Cover) (Bottom)	1036		Label-Emission (Available From An Authorized Briggs & Statton Sevice Dealer)
692	690572	Spring-Detent				1054	280275	Tie-Cable
718	690959	Pin-Locating	914A	692557	Screw (Rocker Cover) (Top)	1058	275964	Owner's Manual
731A	790554	Hood-Snow				1070	699201	Screw (Flywheel Fan)
731B	791943	Hood-Snow (Used After Code Date 05101800).	914B	697551	Screw (Rocker Cover) (Center)	1095	698215	Gasket Set-Valve
		----- Note -----	930	696709	Guard-Rewind	1119	699772	Screw (Alternator)
		790547 Hood-Snow (Used Before Code Date 05101900).	957	694261	Cap-Fuel Tank (Plastic)	1196	696692	Screw (Snow Hood)
741	695087	Gear-Timing	958	698180	Valve-Fuel Shut Off (Plastic)	1196A	699854	Screw (Snow Hood)
742	692564	Retainer-E Ring	972	694260	Tank-Fuel (Plastic)	1210	498144	Pulley/Spring Assembly (Pulley)
746	692566	Gear-Idler	975	493640	Bowl-Float	1211	498144	Pulley/Spring Assembly (Spring)
830	694544	Stud (Rocker Arm)	976	790221	Primer-Carburetor	1230	699847	Screw (Control Bracket)
842	691031	Seal-O Ring (Dipstick Tube)	977	697001	Gasket Set-Carburetor	1251A	790555	Shield-Snow
847	790545	Dipstick/Tube Assembly	990	695756	Key-Set	1251B	790556	Shield-Snow
851	493880S	Terminal-Spark Plug	993 *Ø694088	Gasket-Cylinder Head Plate	1252	699234	Screw (Snow Shield)	
868 *Ø692044		Seal-Valve	998	696683	Pipe-Oil	1252A	699632	Screw (Snow Shield)
883A *691893		Gasket-Exhaust	1005	692592	Fan-Flywheel	1330	272147	Repair Manual
892	791944	Switch-Key (Used After Code Date 05101800).	1019	790459	Kit-Label			
		----- Note -----	1022 *Ø691890	Gasket-Rocker Cover				
		696749 Switch-Key (Used Before Code Date 05101900).	1023	499924	Cover-Rocker Arm			
			1026	790287	Rod-Push			
			1029	691230	Arm-Rocker			
			1034	691343	Guide-Push Rod			

* Included in Engine Gasket Set-Ref. No.358.

● Included in Carburetor Overhaul Kit-Ref. No. 121.

◆ Included in Carburetor Gasket Set-Ref. No. 977.

Ø Included in Valve Gasket Set-Ref. No 1095.

Illustrations cover a range of engines. Parts shown without corresponding text may not be used on your specific engine.