



126600

Illustrated Parts List

Model Series

126600

TYPE NUMBERS
0100 through 0502.

TABLE OF CONTENTS

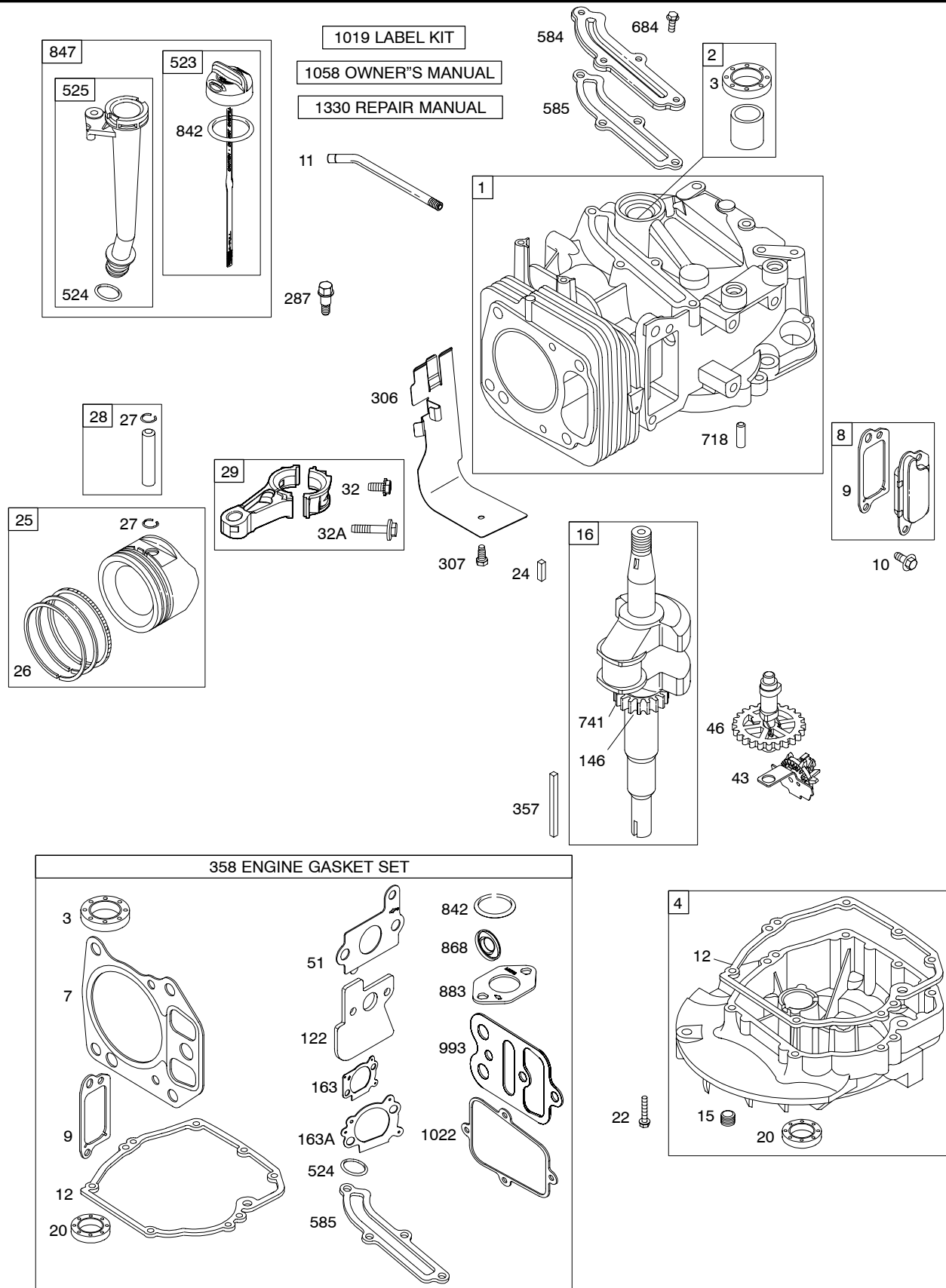
Air Cleaner	6
Blower Housing/Shrouds	7
Camshaft	2
Carburetor	4
Controls	5
Crankshaft	2
Cylinder	2
Cylinder Head	3
Electric Starter	7
Engine Sump	2
Exhaust System	6
Flywheel	7
Flywheel Brake	5
Fuel Supply	4
Governor Spring	5
Ignition	5
Lubrication	2
Piston Group	2
Rewind Starter	7



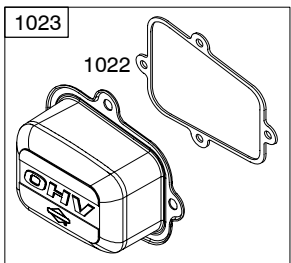
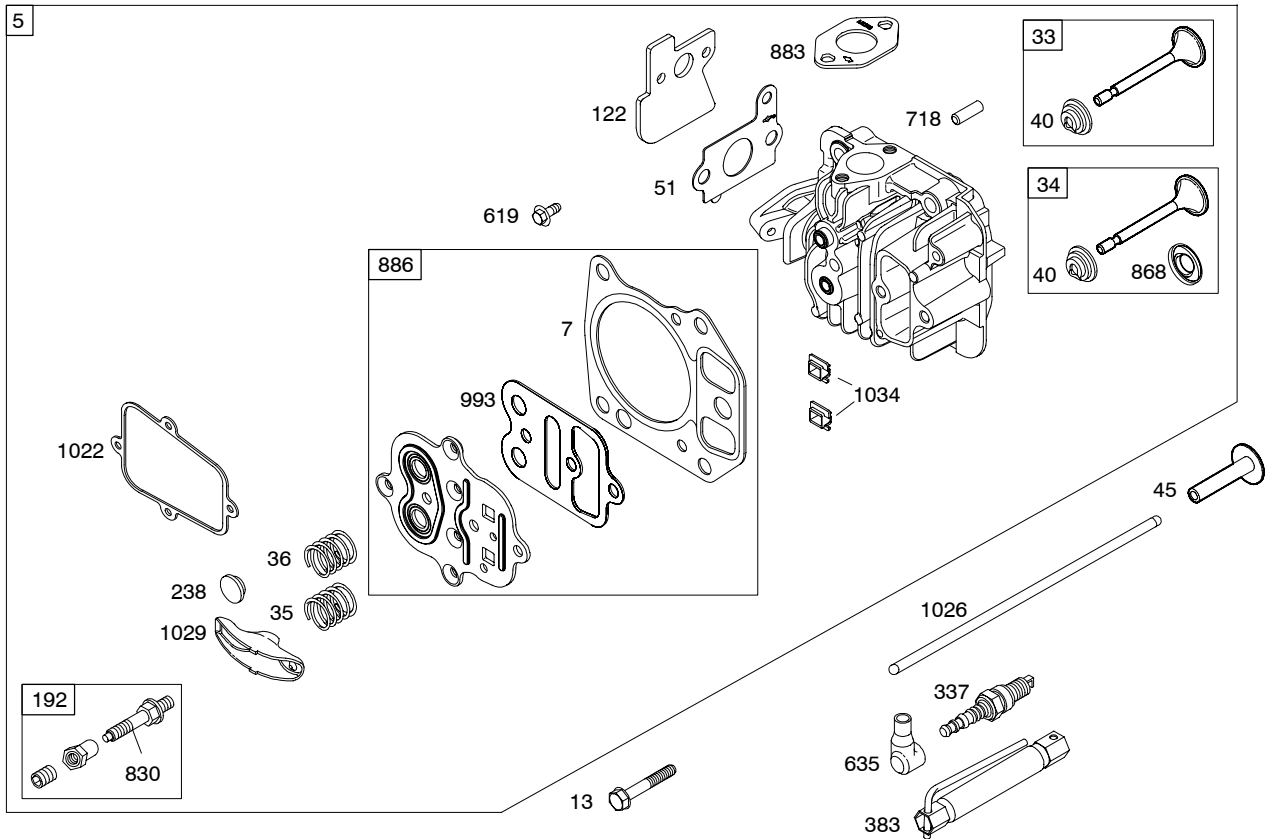
PRINTED IN U.S.A.

COPYRIGHT by BRIGGS & STRATTON CORPORATION
All rights reserved. No part of this material may be reproduced or transmitted, in any form or by any means, electronic or mechanical, including photocopying, recording or by any information storage and retrieval system, without permission in writing from Briggs & Stratton Corporation.

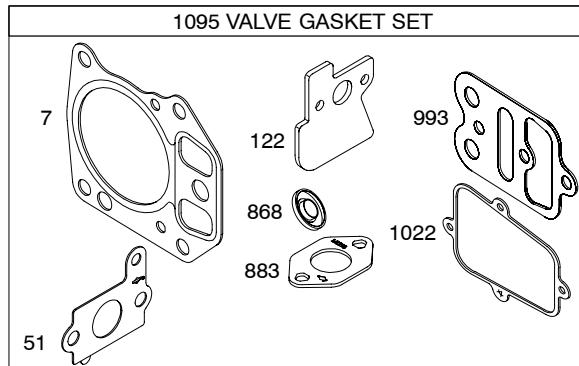
126600



Illustrations cover a range of engines. Parts shown without corresponding text may not be used on your specific engine.
 6385-2 Assemblies include all parts shown in frames. 10/12/2005

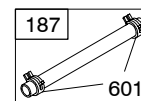
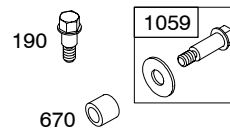
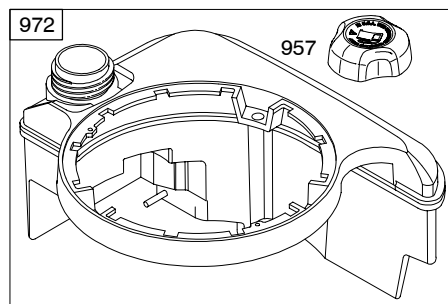
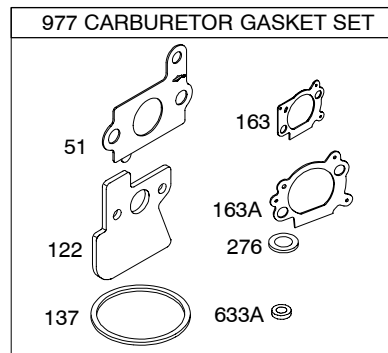
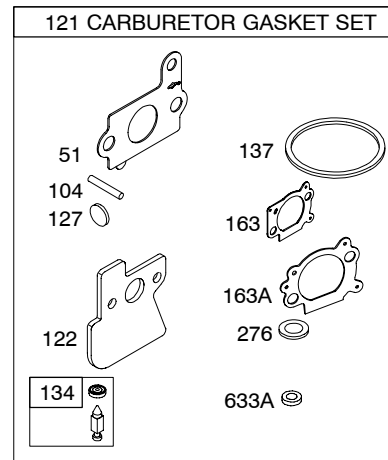
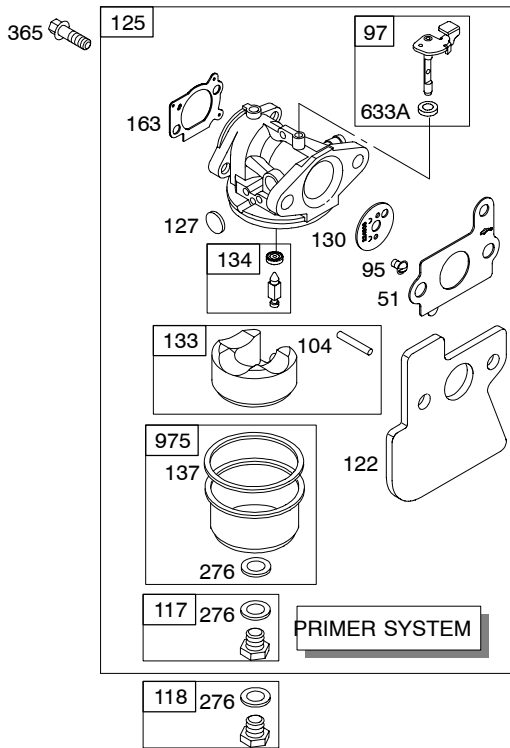


914

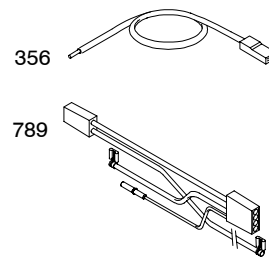
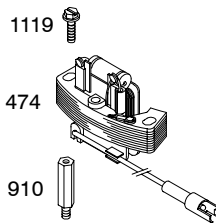
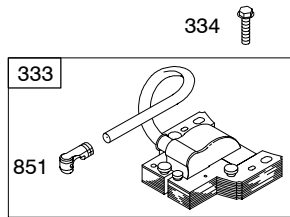
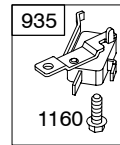
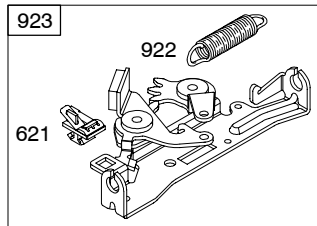
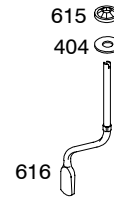
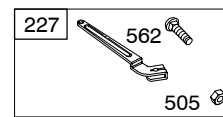
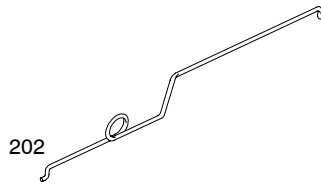
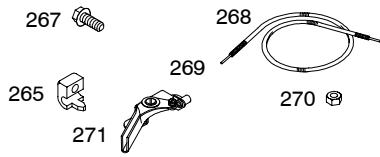
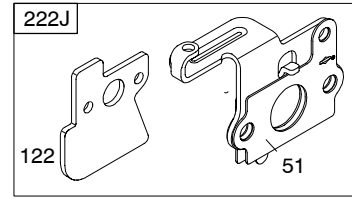
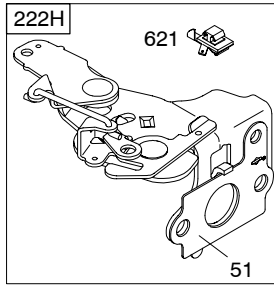
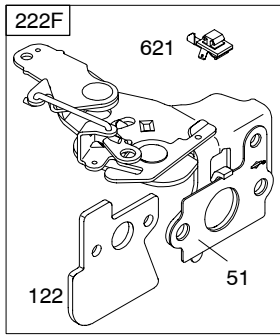


Illustrations cover a range of engines. Parts shown without corresponding text may not be used on your specific engine.
 6385-3 Assemblies include all parts shown in frames. 10/12/2005

126600

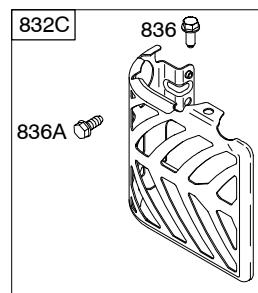
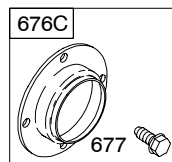
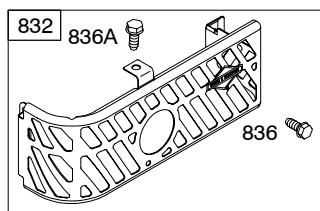
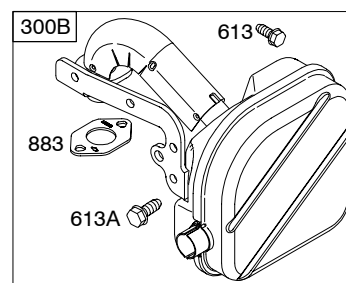
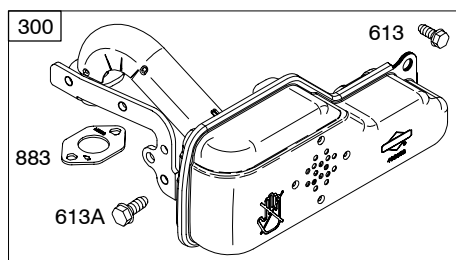
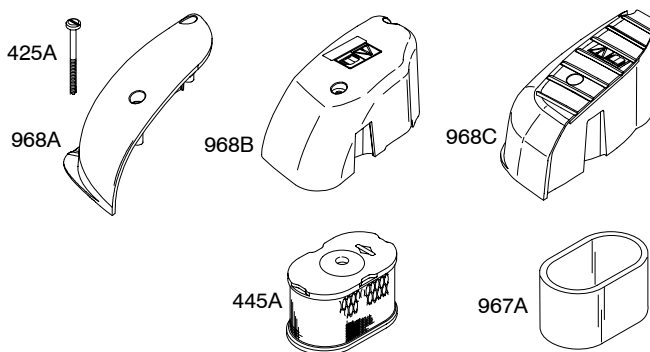
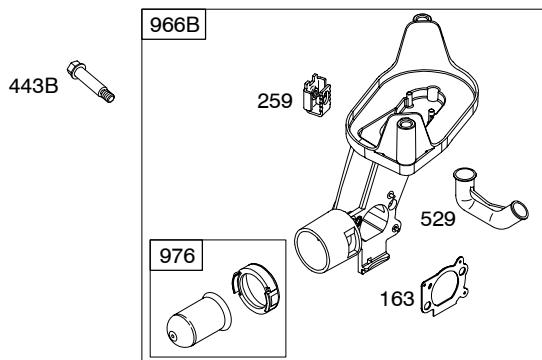


Illustrations cover a range of engines. Parts shown without corresponding text may not be used on your specific engine.

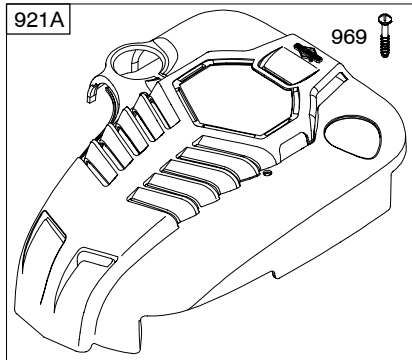
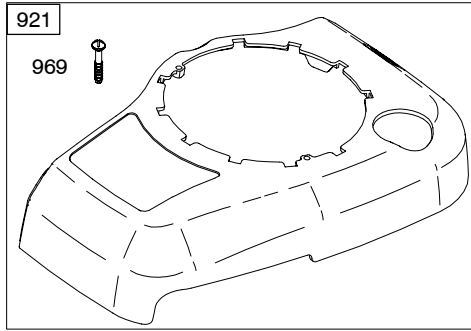


Illustrations cover a range of engines. Parts shown without corresponding text may not be used on your specific engine.
 6385-5 Assemblies include all parts shown in frames. 10/12/2005

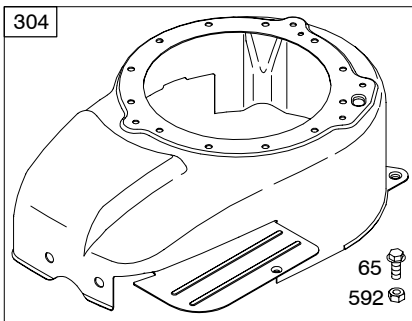
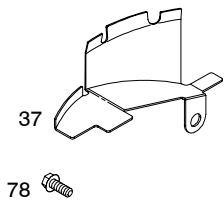
126600



Illustrations cover a range of engines. Parts shown without corresponding text may not be used on your specific engine.

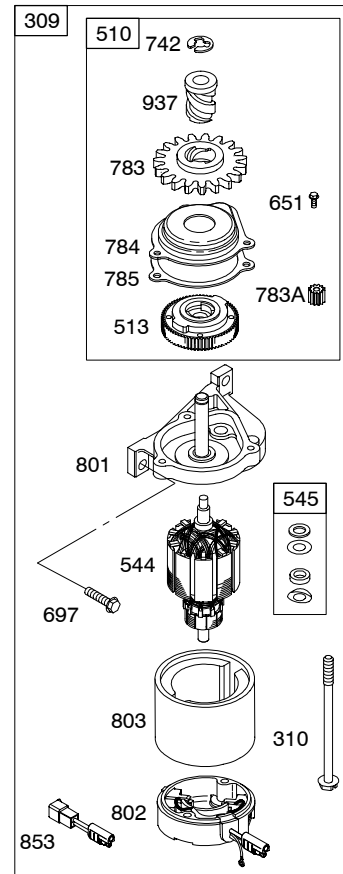
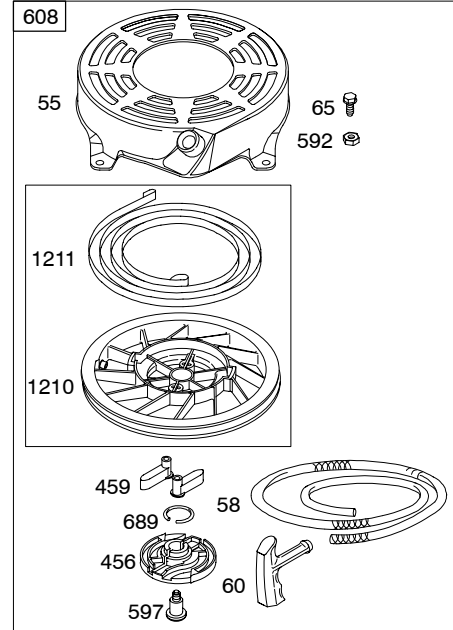
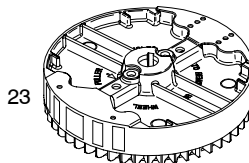
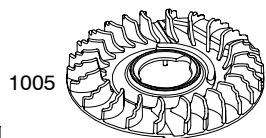
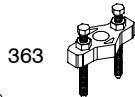
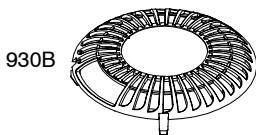
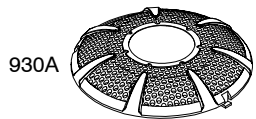
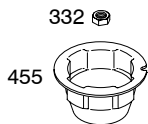


1036 Emission Label



305

925



Illustrations cover a range of engines. Parts shown without corresponding text may not be used on your specific engine.
6385-7 Assemblies include all parts shown in frames. 10/12/2005

126600

REF. NO.	PART NO.	DESCRIPTION	REF. NO.	PART NO.	DESCRIPTION	REF. NO.	PART NO.	DESCRIPTION
1	692670	Cylinder Assembly	25	791968	Piston Assembly (Standard) (Used After Code Date 04040400).	27	691866	Lock-Piston Pin
2	399269	Kit-Bushing/Seal (Magneto Side)				28	499423	Pin-Piston
3	*299819	Seal-Oil (Magneto Side)				29	499424	Rod-Connecting
4	493279	Sump-Engine				32	691664	Screw (Connecting Rod)
5	695276	Head-Cylinder				32A	695759	Screw (Connecting Rod) (Used After Code Date 00042200).
7	*Δ695166	Gasket-Cylinder Head				33	499642	Valve-Exhaust
8	495786	Breather Assembly				34	499641	Valve-Intake
9	*272481	Gasket-Breather				35	691304	Spring-Valve (Intake)
10	691125	Screw (Breather Assembly)				36	691304	Spring-Valve (Exhaust)
11	499675	Tube-Breather				37	694086	Guard-Flywheel
12	*692232	Gasket-Crankcase				40	692194	Retainer-Valve
13	691137	Screw (Cylinder Head)				43	691997	Slinger-Governor/Oil
15	691680	Plug-Oil Drain (Square Socket)				45	690977	Tappet-Valve
16	691457	Crankshaft				46	694039	Camshaft
		----- Note -----				51*	♦♦Δ692668	Gasket-Intake
		695860 Crankshaft Used on Type No(s). 0143, 0158.				55	691421	Housing-Rewind Starter
		693291 Crankshaft Used on Type No(s). 0108.				58	697316	Rope-Starter (Cut To Required Length)
		691456 Crankshaft Used on Type No(s). 0110, 0113, 0114, 0115, 0116, 0117, 0118, 0502.	26	791969	Ring Set (Standard) (Used After Code Date 04040400).	60	281434	Grip-Starter Rope
20	*399781	Seal-Oil (PTO Side)				65	690837	Screw (Rewind Starter)
22	691092	Screw (Crankcase Cover/Sump)				78	691108	Screw (Flywheel Guard)
23	696569	Flywheel				95	691636	Screw (Throttle Valve)
		----- Note -----				97	499682	Shaft-Throttle (Metal)
		692693 Flywheel Used on Type No(s). 0143, 0158.						----- Note -----
24	222698	Key-Flywheel						790121 Shaft-Throttle (Plastic)
						104	♦691242	Pin-Float Hinge

* Included in Engine Gasket Set-Ref. No.358.

● Included in Carburetor Overhaul Kit-Ref. No. 121.

♦ Included in Carburetor Gasket Set-Ref. No. 977.

Δ Included in Valve Gasket Set-Ref. No 1095.

Illustrations cover a range of engines. Parts shown without corresponding text may not be used on your specific engine.

REF. NO.	PART NO.	DESCRIPTION	REF. NO.	PART NO.	DESCRIPTION	REF. NO.	PART NO.	DESCRIPTION
117	498981	Jet-Main (Standard) (Used After Code Date 03110600). ----- Note ----- 498978 Jet-Main (Standard) (Used Before Code Date 03110700).	188	691147	Screw (Control Bracket)	270	691027	Nut (Control Wire Casing)
118	497466	Jet-Main (High Altitude) (Used After Code Date 03110600). ----- Note ----- 498975 Jet-Main (High Altitude) (Used Before Code Date 03110700).	190	690940	Screw (Fuel Tank)	271	691028	Lever-Control
121	692703	Kit-Carburetor Overhaul	192	694543	Adjuster-Rocker Arm	276	●♦271716	Washer-Sealing
122.♦♦♦692799	Spacer-Carburetor		202	691303	Link-Mechanical Governor	287	690940	Screw (Dipstick Tube)
125	790120	Carburetor	209A	690319	Spring-Governor ----- Note ----- 691851 Spring-Governor Used on Type No(s). 0100, 0101, 0108, 0109, 0200, 0502. 791156 Spring-Governor Used on Type No(s). 0146.	300	694248	Muffler
127	●694468	Plug-Welch				300B	699769	Muffler
130	691203	Valve-Throttle ----- Note ----- 696564 Valve-Throttle (Used With Plastic Throttle Shaft)				304	499677	Housing-Blower ----- Note ----- 499676 Housing-Blower Used on Type No(s). 0143, 0158. 695976 Housing-Blower Used on Type No(s). 0116, 0117, 0118, 0139, 0141, 0145, 0157, 0174, 0502.
133	398187	Float-Carburetor	222F	692617	Bracket-Control Used on Type No(s). 0100, 0113, 0114, 0115, 0116, 0117, 0118, 0135, 0136, 0139, 0145.	305	691108	Screw (Blower Housing)
134	●398188	Kit-Needle/Seat	222H	692618	Bracket-Control Used on Type No(s). 0143, 0158.	306	691232	Shield-Cylinder
137	●♦693981	Gasket-Float Bowl	222J	697614	Bracket-Control	307	690345	Screw (Cylinder Shield)
146	690979	Key-Timing	227	691467	Lever-Governor Control	309	695550	Motor-Starter
163.♦♦691894	Gasket-Air Cleaner		238	691300	Cap-Valve	310	692327	Bolt (Starter Motor)
163A.♦♦692667	Gasket-Air Cleaner		259	691189	Bracket-Casing Clamp	332	690662	Nut (Flywheel)
187	791766	Line-Fuel (Cut to Required Length) (Used After Code Date 05063000). ----- Note ----- 691050 Line-Fuel (Cut to Required Length) (Used Before Code Date 05070100).	265A	690798	Clamp-Casing	333	802574	Armature-Magneto
			267	691044	Screw (Casing Clamp)	334	691061	Screw (Magneto Armature)
			268	691025	Casing-Control Wire (Cut To Required Length)	337	692051	Plug-Spark
			269	691026	Wire-Control (Cut To Required Length)	356	692390	Wire-Stop
						357	692191	Key-Drive Pulley
						358	694090	Gasket Set-Engine
						363	19069	Puller-Flywheel
						365	691136	Screw (Carburetor)
						383	19374	Wrench-Spark Plug
						404	690272	Washer (Governor Crank)

★ Included in Engine Gasket Set-Ref. No.358.

● Included in Carburetor Overhaul Kit-Ref. No. 121.

♦ Included in Carburetor Gasket Set-Ref. No. 977.

△ Included in Valve Gasket Set-Ref. No 1095.

Illustrations cover a range of engines. Parts shown without corresponding text may not be used on your specific engine.

126600

REF. NO.	PART NO.	DESCRIPTION	REF. NO.	PART NO.	DESCRIPTION	REF. NO.	PART NO.	DESCRIPTION
425A	690244	Screw (Air Cleaner Cover)	635	66538	Boot-Spark Plug	803	695266	Housing-Starter (Used After Code Date 00040600).
443B	690255	Screw (Air Cleaner Primer Base)	651	690345	Screw (Starter Gear Cover)			----- Note -----
445A	697029	Filter-Air Cleaner Cartridge	670	692294	Spacer-Fuel Tank			695975 Housing- Starter
455	695161	Cup-Flywheel	676C	497682	Deflector-Muffler			(Used Before Code Date 00040700).
456	692299	Plate-Pawl Friction	677	690661	Screw (Muffler Deflector)	830	694544	Stud-Rocker Arm
459	281505	Ratchet-Pawl	684	690345	Screw (Breather Passage Cover)	832	691466	Guard-Muffler
474	691991	Alternator	689	691855	Spring-Friction	832C	695593	Guard-Muffler
505	691251	Nut (Governor Control Lever)	697	691127	Screw (Drive Cap)	836	691147	Screw (Muffler Guard)
510	494147	Drive-Starter	718	690959	Pin-Locating	836A	697551	Screw (Muffler Guard)
513	692358	Clutch-Drive	741	691830	Gear-Timing (Use Without Woodruff Key)	842	★691031	Seal-O Ring (Dipstick Tube)
523	499621	Dipstick			----- Note -----	847	692047	Dipstick/Tube Assembly
524	★692296	Seal-Dipstick Tube			691830 Gear-Timing (Uses Woodruff Key)	851	493880	Terminal-Spark Plug
525	495265	Tube-Dipstick	742	93941	Retainer-E Ring	853	695268	Adapter-Wire
529	692937	Grommet	745	691648	Screw (Brake)	868	★△692044	Seal-Valve ----- Note -----
544	690786	Armature-Starter	783	691918	Gear-Pinion			691891 Seal-Valve Used on Type No(s). 0108, 0109.
545	492919	Washer Set (Starter Motor)	783A	691269	Gear-Pinion	883	★△691893	Gasket-Exhaust
562	691119	Bolt (Governor Control Lever)	784	692341	Cover-Starter Gear	886	696268	Gasket Kit-Cylinder Head/Plate
584	697734	Cover-Breather Passage	785	692352	Gasket-Starter Cover	910	691094	Stud (Alternator)
585	★691879	Gasket-Breather Passage	789	696547	Harness-Wiring (Used After Code Date 00040600).	914	691108	Screw (Rocker Cover)
592	690800	Nut (Rewind Starter)			----- Note -----	921	692699	Cover-Blower Housing
597	691696	Screw (Pawl Friction Plate)			691372 Harness- Wiring (Used Before Code Date 00040700).	921A	699633	Cover-Blower Housing
601	95162	Clamp-Hose			696547 Harness- Wiring Used on Type No(s). 0115, 0162.	922	691831	Spring-Brake ----- Note -----
608	497680	Starter-Rewind	801	690782	Cap-Drive			692135 Spring-Brake Used on Type No(s). 0116, 0117, 0118, 0139, 0141, 0145, 0157, 0174, 0502.
613	691108	Screw (Muffler)	802	695267	Cap-End (Used After Code Date 00040600).	923	691994	Brake ----- Note -----
613A	691140	Screw (Muffler)			----- Note -----			695975 Cap-End (Used Before Code Date 00040700).
615	690340	Retainer-Governor Shaft			695975 Cap-End (Used Before Code Date 00040700).			695891 Brake Used on Type No(s). 0116, 0117, 0118, 0139, 0141, 0145, 0157, 0174, 0502.
616	698801	Crank-Governor						
619	691108	Screw (Cylinder Head Plate)						
621	692310	Switch-Stop						
633A	◆691321	Seal-Choke/Throttle Shaft						

★ Included in Engine Gasket Set-Ref. No.358.

● Included in Carburetor Overhaul Kit-Ref. No. 121.

◆ Included in Carburetor Gasket Set-Ref. No. 977.

△ Included in Valve Gasket Set-Ref. No 1095.

Illustrations cover a range of engines. Parts shown without corresponding text may not be used on your specific engine.

6385-10

Assemblies include all parts shown in frames.

10/12/2005

REF. NO.	PART NO.	DESCRIPTION	REF. NO.	PART NO.	DESCRIPTION	REF. NO.	PART NO.	DESCRIPTION
925	690595	Cover-Linkage	975	493640	Bowl-Float	1058	276348	Manual-Owner's
930A	692675	Guard-Rewind	976	694395	Primer-Carburetor	1059	692311	Kit-Screw/Washer
930B	692691	Guard-Rewind (Plastic)	977	692704	Gasket Set-Carburetor	1095	694091	Gasket Set-Valve
935	499421	Switch-Interlock	993	★△694088	Gasket-Cylinder Head Plate	1119	692979	Screw (Alternator)
937	691325	Spline-Starter	1005	691346	Fan-Flywheel	1160	691627	Screw (Interlock Switch)
957	692046	Cap-Fuel Tank	1019	695259	Kit-Label	1210	498144	Pulley/Spring Assembly (Pulley)
966B	690243	Base-Air Cleaner Primer	1022	★△691890	Gasket-Rocker Cover	1211	498144	Pulley/Spring Assembly (Spring)
967A	273356	Filter-Pre Cleaner	1023	499624	Cover-Rocker	1330	272147	Manual-Repair
968A	691342	Cover-Air Cleaner	1026	692045	Rod-Push			
968B	692435	Cover-Air Cleaner	1029	691230	Arm-Rocker			
968C	692692	Cover-Air Cleaner	1034	691343	Guide-Push Rod			
969	691138	Screw (Blower Housing Cover)	1036		Label-Emission (Available From An Authorized Briggs & Statton Sevice Dealer)			
972	699374	Tank-Fuel (Plastic)						

★ Included in Engine Gasket Set-Ref. No.358.

● Included in Carburetor Overhaul Kit-Ref. No. 121.

◆ Included in Carburetor Gasket Set-Ref. No. 977.

△ Included in Valve Gasket Set-Ref. No 1095.

Illustrations cover a range of engines. Parts shown without corresponding text may not be used on your specific engine.