

Illustrated Parts List Industrial/Commercial Model Series 125700 to 125799 Non-Compliance

TYPE NUMBERS
0101,
0112 through 0115,
4001.

Compliance

TYPE NUMBER
3101

TO FIND
THE CORRECT NUMBER OF THE PART YOU NEED:
FOLLOW THE INSTRUCTIONS BELOW

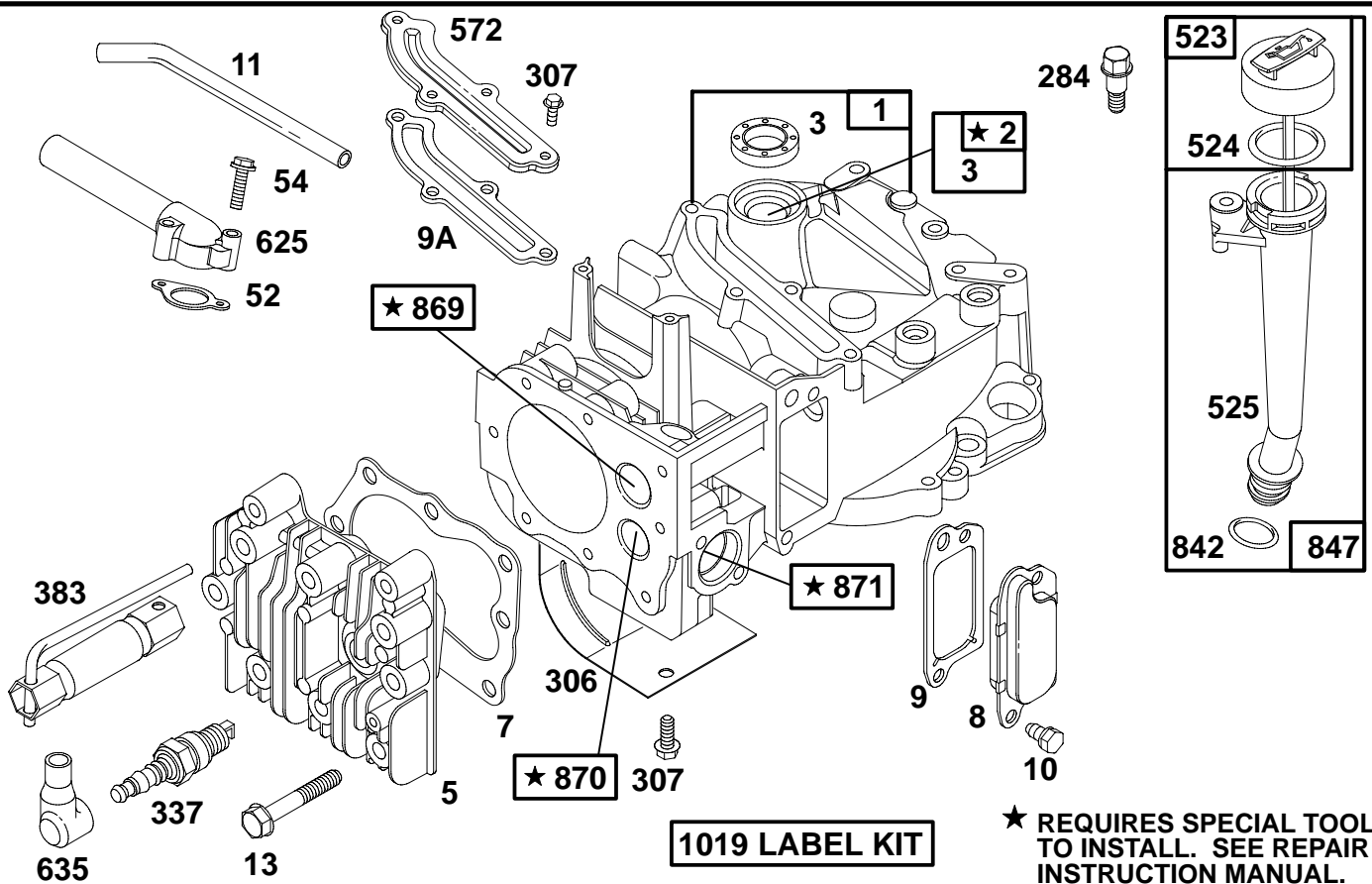
- A. Refer to Engine Model, Type and Code Number that is stamped on the blower housing of engine. Engine type numbers such as 0123 01 are listed only as 0123 in most instances. The two digits (01 or 02, etc.) to the right of the space may be required for more accurate parts identification in some instances. Select the Illustrated Parts List covering the correct Model Series and Type Number.
- B. Refer to the Illustrations and compare the original part with Illustration. The number next to the illustration is the Reference Number. Assemblies include all parts shown in frames. All parts shown in assembly frames having individual reference numbers can be purchased separately.
- C. After the Reference Number has been identified, refer to the Numerical text, where Reference and Primary Part Number are listed. **THE PRIMARY PART IS USED ON ALL TYPE NUMBERS EXCEPT THOSE TYPE NUMBERS UNDER "NOTE."**
- D. If a "Note" appears below the Primary Part Number, it means that this part differs from the Primary Part for certain types. If your Type number is listed under "Note," order the part referred to at the "Note."
- E. If your Engine Type Number does not appear after any part number listed under "Note," use the Primary Part Number.
- F. For Engine Type Numbers not covered by this book, check other Parts Lists having the same engine model or contact your source of supply.



PRINTED IN U.S.A.

COPYRIGHT by BRIGGS & STRATTON CORPORATION
All rights reserved. No part of this material may be reproduced or transmitted, in any form or by any means, electronic or mechanical, including photocopying, recording or by any information storage and retrieval system, without permission in writing from Briggs & Stratton Corporation.

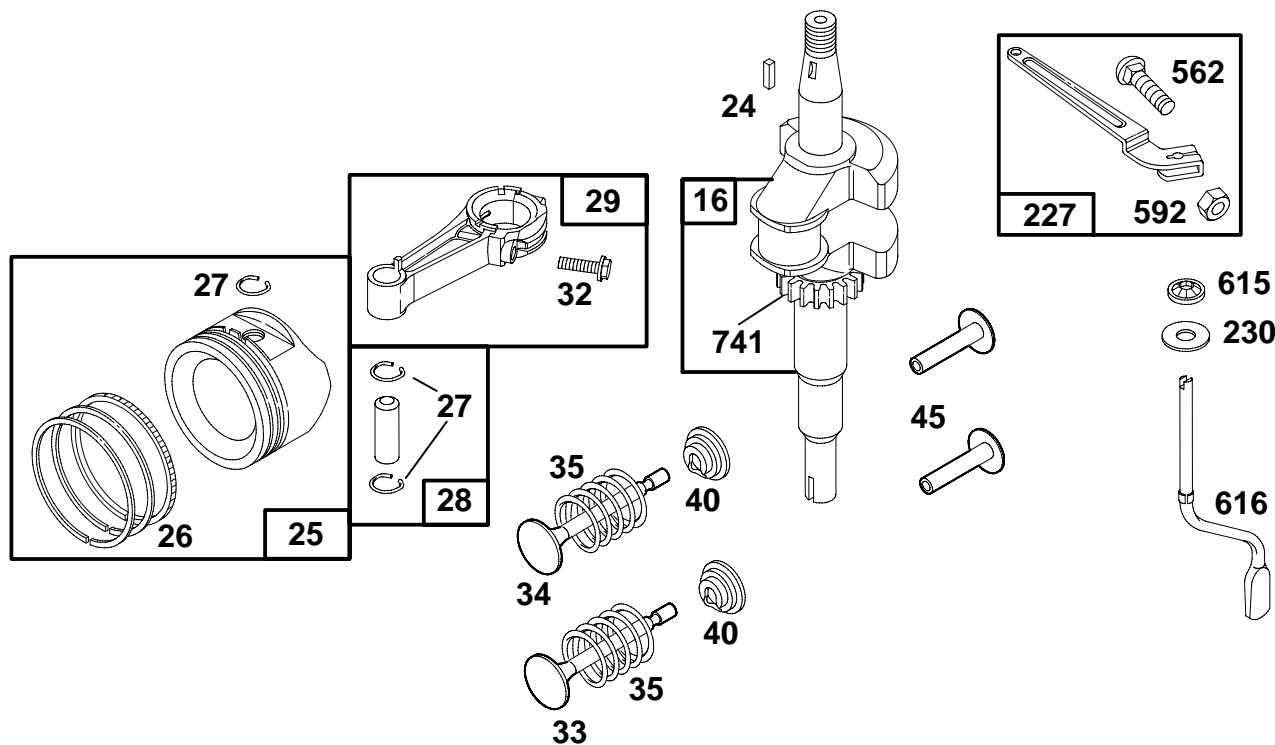
125700 to 125799



REF. NO.	PART NO.	DESCRIPTION	REF. NO.	PART NO.	DESCRIPTION	REF. NO.	PART NO.	DESCRIPTION
1	494062	Cylinder Assembly	307	94515	Screw-Hex. Head	525	493952	Tube-Oil Filler
2	399269	Bushing-Cylinder	337	298809	Plug-Spark (With Gasket)	572	224328	Baffle-Cylinder
3	★299819	Seal-Oil			(1-1/2" High, 38 mm.)	625	492717	Tube-Fuel Intake
5	213861	Head-Cylinder			Note	635	66538	Elbow-Spark Plug
7	★272200	Gasket-Cylinder Hd.			293918 Plug-Spark (Resistor Type)	842	★280966	Seal-O-Ring
8	399717	Breather-Valve Chamber			(1-1/2" High, 38 mm.)	847	493459	Dipstick and Tube Assy.-Oil Filler
9	★271904	Gasket-Valve Cover			492167 Plug-Spark (1-7/8" High, 48 mm.)	869	213512	Seat-Intake Valve (Standard)
9A	★272238	Gasket-Baffle Plate			802592 Plug-Spark (Resistor Type)	870	213513	Seat-Exhaust Valve (Standard)
10	94222	Screw-Breather Mtg.			(1-7/8" High, 48 mm.)	871	262001	Guide-Exhaust Valve
11	231685	Tube-Breather						Note
13	94547	Screw-Cylinder Hd.	383	89838	Wrench-Spark Plug			63709 Guide-Intake Valve
52	★272199	Gasket-Intake Elbow	523	493950	Cap With Dipstick-Oil Filler			
54	94526	Screw-Intake Elbow Mounting	524	★280393	Seal-Filler Tube			
284	94511	Screw-Hex. Head				1019	494256	Label Kit
306	224324	Shield-Cylinder						

- ★ Included in Gasket Set-Part No. 493263
- Included in Carburetor Overhaul Kit-See Ref. 121.
- ◆ Included in Carburetor Gasket Set-Part No. 490937.

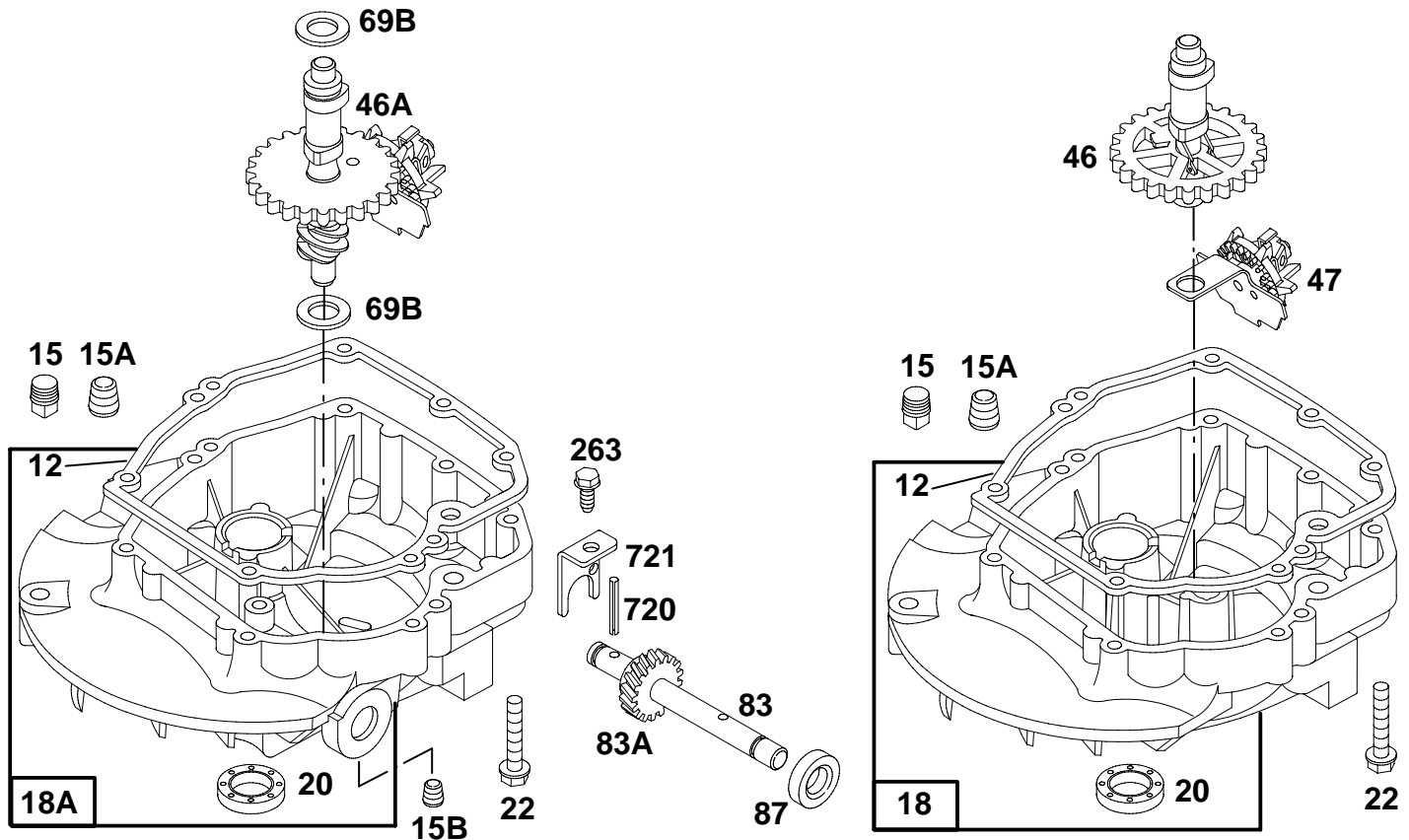
125700 to 125799



REF. NO.	PART NO.	DESCRIPTION	REF. NO.	PART NO.	DESCRIPTION	REF. NO.	PART NO.	DESCRIPTION
16	493282	Crankshaft Note ——— For Timing Gear Key— Order Part No. 94388. 493362 Crankshaft Used on Type No(s). 0113, 0114, 4001. 493363 Crankshaft Used on Type No(s). 0112, 0115.	26	493261	Ring Set—Piston (Standard) 493388 Ring Set— Piston (.010" O.S.) 493389 Ring Set— Piston (.020" O.S.) 493390 Ring Set— Piston (.030" O.S.)			490743 Rod Assy.— Connecting (.020" Undersize)
24	222698	Key—Flywheel	27	26026	Lock—Piston Pin	32	94405	Screw—Connecting Rod
25	494058	Piston Assy. (Standard) 494059 Piston Assy. (.010" O.S.) 494060 Piston Assy. (.020" O.S.) 494061 Piston Assy. (.030" O.S.)	28	298909	Pin Assy.—Piston (Standard) 298908 Pin Assy.— Piston (.005" O.S.)	33	262651	Valve—Exhaust
			29	490566	Rod Assy.—Connecting (Standard)	34	262652	Valve—Intake
						35	262224	Spring—Valve
						40	93312	Retainer—Valve Spring
						45	262204	Tappet—Valve
						227	492349	Lever Assembly— Governor
						230	67072	Washer—Gov. Crank
						562	92613	Bolt—Governor Lever
						592	231082	Nut—Hex.
						615	94474	Pushnut (Governor Crank)
						616	262578	Crank—Governor
						741	262598	Gear—Timing

- ★ Included in Gasket Set—Part No. 493263
- Included in Carburetor Overhaul Kit—See Ref. 121.
- ◆ Included in Carburetor Gasket Set—Part No. 490937.

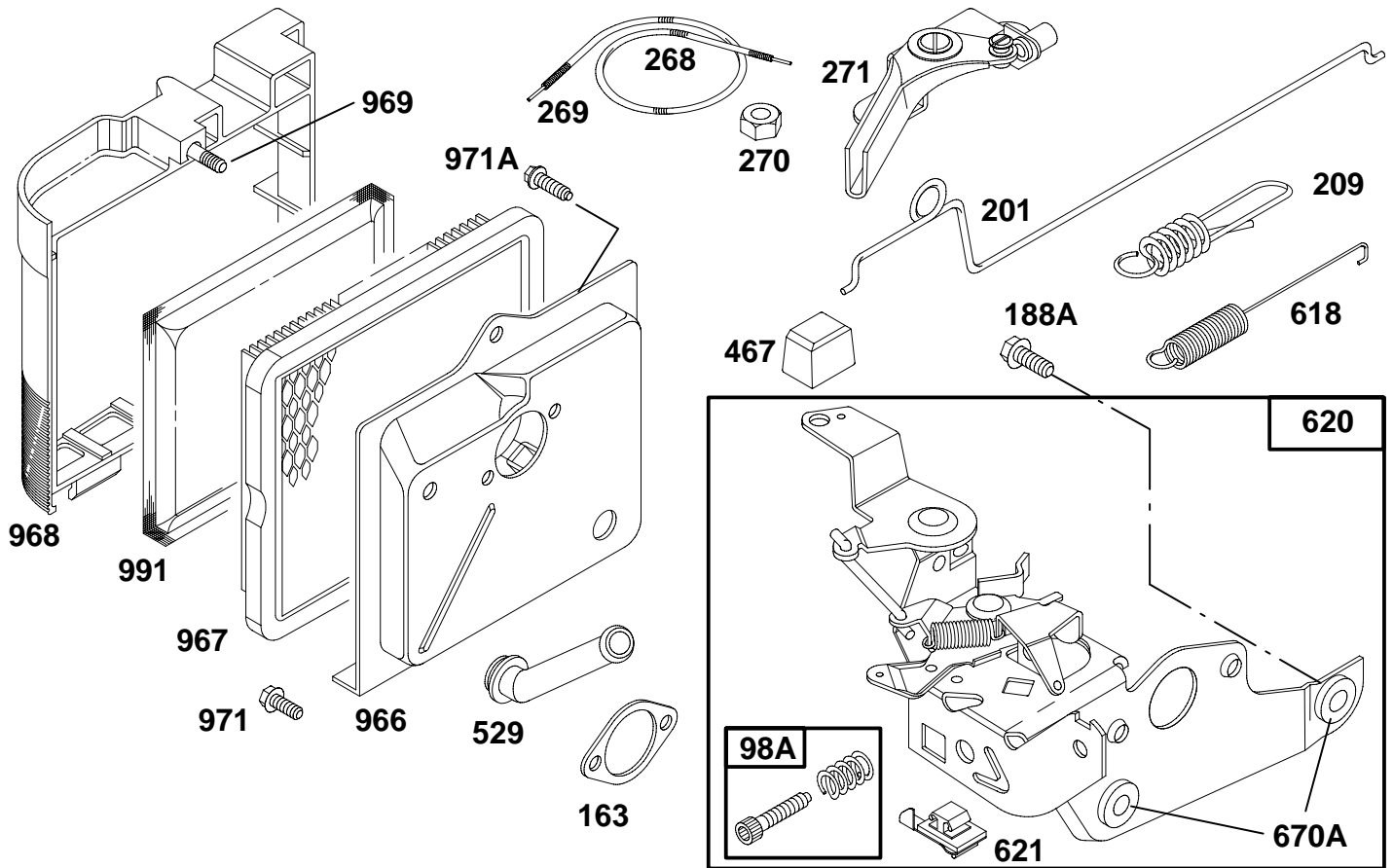
125700 to 125799



REF. NO.	PART NO.	DESCRIPTION	REF. NO.	PART NO.	DESCRIPTION	REF. NO.	PART NO.	DESCRIPTION
12	★272198	Gasket—Crankcase			<p style="text-align: center;">————— Note —————</p> <p>94612 Screw—Sump Mounting Sem One Used in Hole Nearest Breather.</p> <p>46 492830 Gear—Cam</p> <p>46A 493738 Cam Gear, Worm and Oil Slinger Assembly (Counterclockwise) Used on Type No(s). 0112.</p>	69B	68938	Washer—Thrust
15	94239	Plug—Oil Drain		83		231748	Shaft—Drive	
15A	93418	Plug—Oil Drain		83A		231278	Gear—Drive	
15B	94470	Plug—Oil Drain (Hex. Socket, 1/16—27 NPT)		87		391484	Seal—Oil	
18	493279	Sump—Engine		263		93801	Screw—Hex. Head, Shaft—Stop	
18A	493365	Sump—Engine		720		93474	Pin—Roll	
20	★399781	Seal—Oil		721		224249	Stop—Shaft	
22	94220	Screw—Sump Mounting Sem						

- ★ Included in Gasket Set—Part No. 493263
- Included in Carburetor Overhaul Kit—See Ref. 121.
- ◆ Included in Carburetor Gasket Set—Part No. 490937.

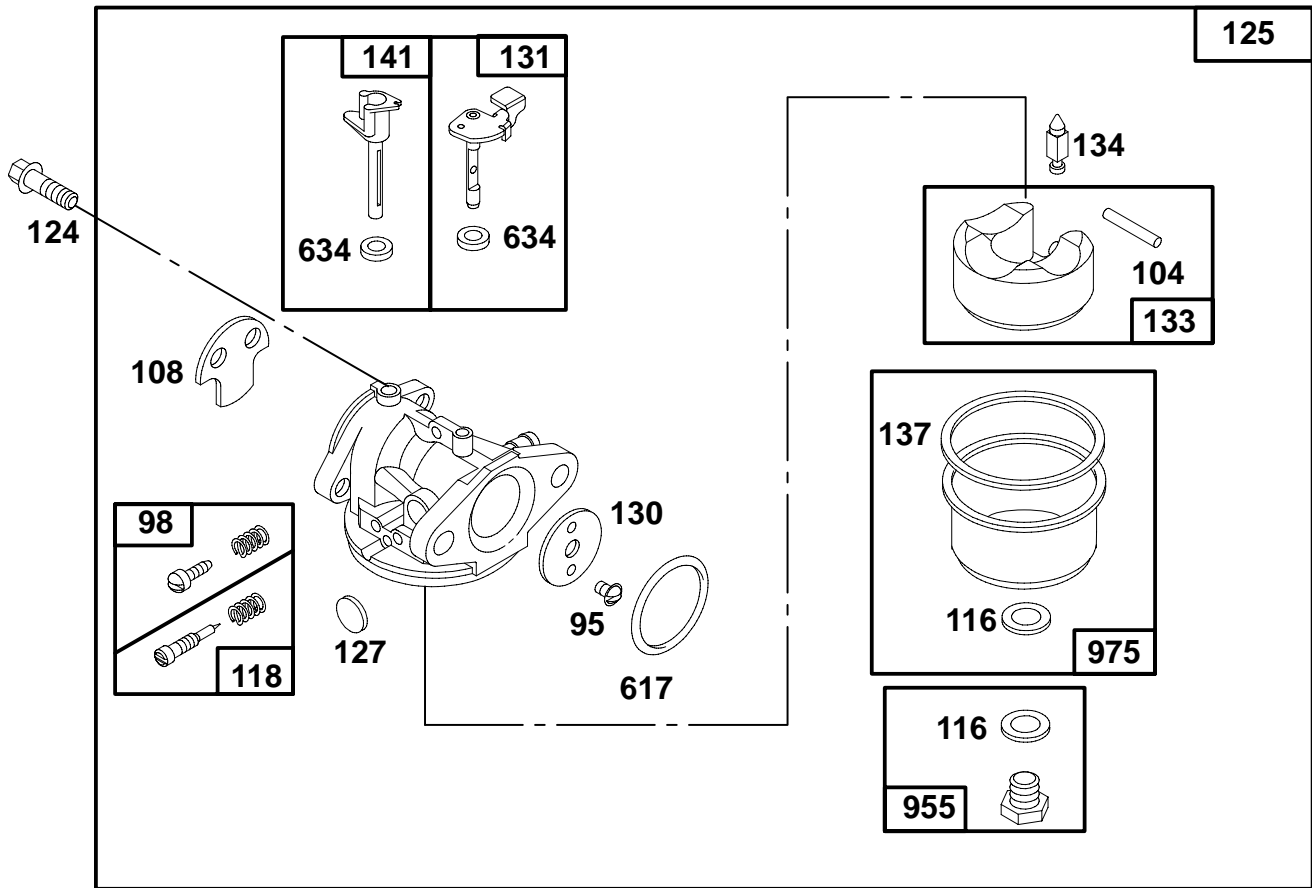
125700 to 125799



REF. NO.	PART NO.	DESCRIPTION	REF. NO.	PART NO.	DESCRIPTION	REF. NO.	PART NO.	DESCRIPTION
98A	493280	Screw Assy.—Speed Adjust						260870 Spring—Choke Return (Used Before Code Date 90060400).
163	★272296	Gasket—Air Cleaner			If Longer Casing is Needed, Specify Length in Inches; if Shorter Casing is Needed, Order and Cut to Required Length.	620	493894	Bracket Assembly—Carburetor Control (Remote Control)
188A	94644	Screw—Hex. Head						Note 493895 Bracket Assy.—Carburetor Control (Manual Friction Control) (Used on Type No(s). 0114, 4001).
201	262579	Link—Governor	269	26099	Wire Control (54" Long)	621	396847	Switch—Stop
209	262658	Spring—Governor (Used on Type No(s). 0112.)			Note Needed, Specify Length in Inches; if Shorter Wire is Needed, Order and Cut to Required Length.	670A	493823	Spacer—Carburetor Bracket (Includes 2)
		Note 262654 Spring—Gov. (Used on Type No(s). 0113.) 262655 Spring—Gov. (Used on Type No(s). 0114, 4001.) 262661 Spring—Gov. (Used on Type No(s). 0101, 3101.) 262665 Spring—Gov. (Used on Type No(s). 0115.)	270	63426	Locknut—Control Wire Casing	966	492363	Base—Air Cleaner
			271	290568	Lever Assy.—Control	967	491588	Filter—Air
			467	280857	Knob—Slide Control	968	281069	Cover—Air Cleaner
			529	280943	Grommet—Breather	969	94120	Screw—Cover Mtg.
			618	262749	Spring—Choke Return (Used After Code Date 90060300).	971	94269	Screw—Air Cleaner
268	66986	Casing—Control Wire (48" Long)				971A	94121	Screw (Base to Carburetor)
		Note				991	493537	Pre-Filter Assembly

- ★ Included in Gasket Set—Part No. 493263
- Included in Carburetor Overhaul Kit—See Ref. 121.
- ◆ Included in Carburetor Gasket Set—Part No. 490937.

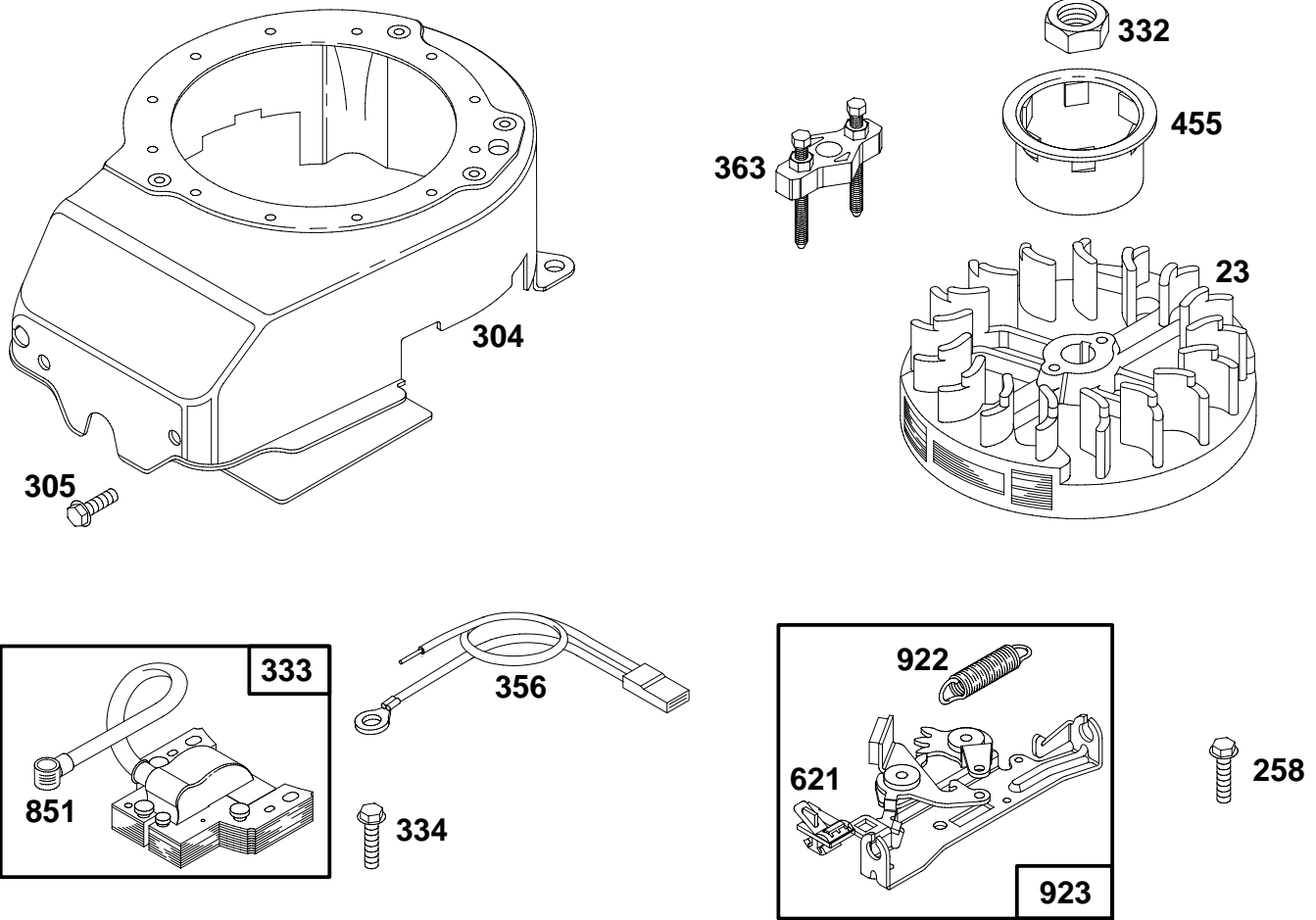
125700 to 125799



REF. NO.	PART NO.	DESCRIPTION	REF. NO.	PART NO.	DESCRIPTION	REF. NO.	PART NO.	DESCRIPTION
95	94098	Screw-Throttle Valve Mounting	125	494217	Carburetor Assembly	617	♦♦270344	Seal-Fuel Intake Tube
98	398185	Screw-Idle Adjustment	127	•	Plug-Welch (Sold in Kit Only)	634	♦♦	Washer-Shaft (Sold in Kit Only)
104	♦231371	Pin-Float Hinge	130	223470	Valve-Throttle	955	493869	Screw-Bowl Mtg. ————— Note —————
108	223471	Valve-Choke	131	493267	Shaft and Lever-Throttle			493763 Screw-Bowl Mtg. (For High Altitude) (Used After Code Date 90060300).
116	♦♦	Gasket-Sealing (Sold in Kit Only)	133	398187	Float Assy.-Carburetor			
118	♦493765	Valve and Spring-Needle (Used After Code Date 90060300). ————— Note —————	134	♦398188	Valve-Inlet (Includes Seat)			
		♦492945 Valve and Spring-Needle (Used Before Code Date 90060400).	137	♦♦	Gasket-Bowl (Sold in Kit Only)	975	493640	Bowl Assy.-Carburetor (Used After Code Date 90060300). ————— Note —————
124	94525	Screw-Carburetor Mtg.	141	494218	Shaft-Choke (Used After Code Date 90060300). ————— Note —————			398191 Bowl Assy.-Carburetor (Used Before Code Date 90060400).
					493266 Shaft-Choke (Used Before Code Date 90060400).			

★ Included in Gasket Set-Part No. 493263
 ● Included in Carburetor Overhaul Kit-See Ref. 121.
 ♦ Included in Carburetor Gasket Set-Part No. 490937.

125700 to 125799



REF. NO.	PART NO.	DESCRIPTION	REF. NO.	PART NO.	DESCRIPTION	REF. NO.	PART NO.	DESCRIPTION
23	492177	Flywheel-Magneto			————— Note —————	356	398808	Wire-Ground
		————— Note —————			493293 Housing-Blower	363	19069	Puller-Flywheel
		492893 Flywheel-Magneto			Used on Engines With	455	224250	Cup-Starter
		Used on Type No(s).			Band Brake.	621	396847	Switch-Stop
		0112, 0114, 4001.	305	94513	Screw-Hex Hd. Sem.	851	221798	Terminal-Ignition Cable
258	94512	Screw-Hex. Head	332	92284	Nut-Flywheel	922	262640	Spring-Brake
304	493294	Housing-Blower	333	802574	Armature-Magneto	923	493442	Brake Assembly
		Used on Engines Without Band Brake.	334	93381	Screw-Armature Mounting			

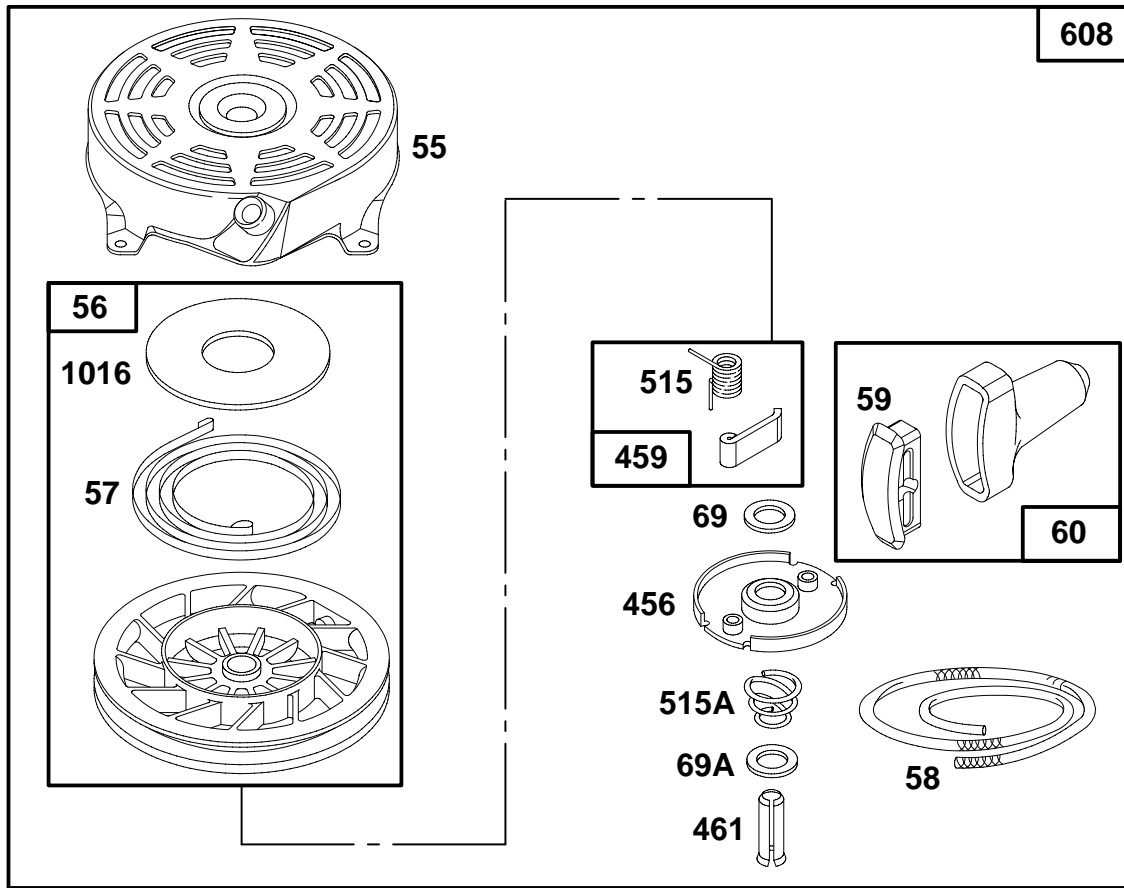
- ★ Included in Gasket Set-Part No. 493263
- Included in Carburetor Overhaul Kit-See Ref. 121.
- ◆ Included in Carburetor Gasket Set-Part No. 490937.

2162-7

Assemblies include all parts shown in frames.

112

125700 to 125799



REF. NO.	PART NO.	DESCRIPTION	REF. NO.	PART NO.	DESCRIPTION	REF. NO.	PART NO.	DESCRIPTION
55	492831	Housing–Rewind Starter	69	280973	Washer–Rewind Starter	515	262556	Spring–Pawl
56	492832	Pulley–Rewind Starter	69A	224322	Washer–Rewind Starter	515A	262625	Spring–Torsion
57	262594	Spring–Rewind Starter	456	224321	Retainer–Rewind Starter	608	493295	Starter Assy.–Rewind
58	280399	Rope–Rewind Starter (Cut to 88-5/8")	459	492833	Pawl–Starter			Include(s):
59	396892	Insert–Handle	461	262626	Pin–Starter			94128 Screw–Hex. Hd
60	393152	Handle–Rewind Starter				1016	224278	92987 Nut–Hex.
								Cover–Rewind Starter

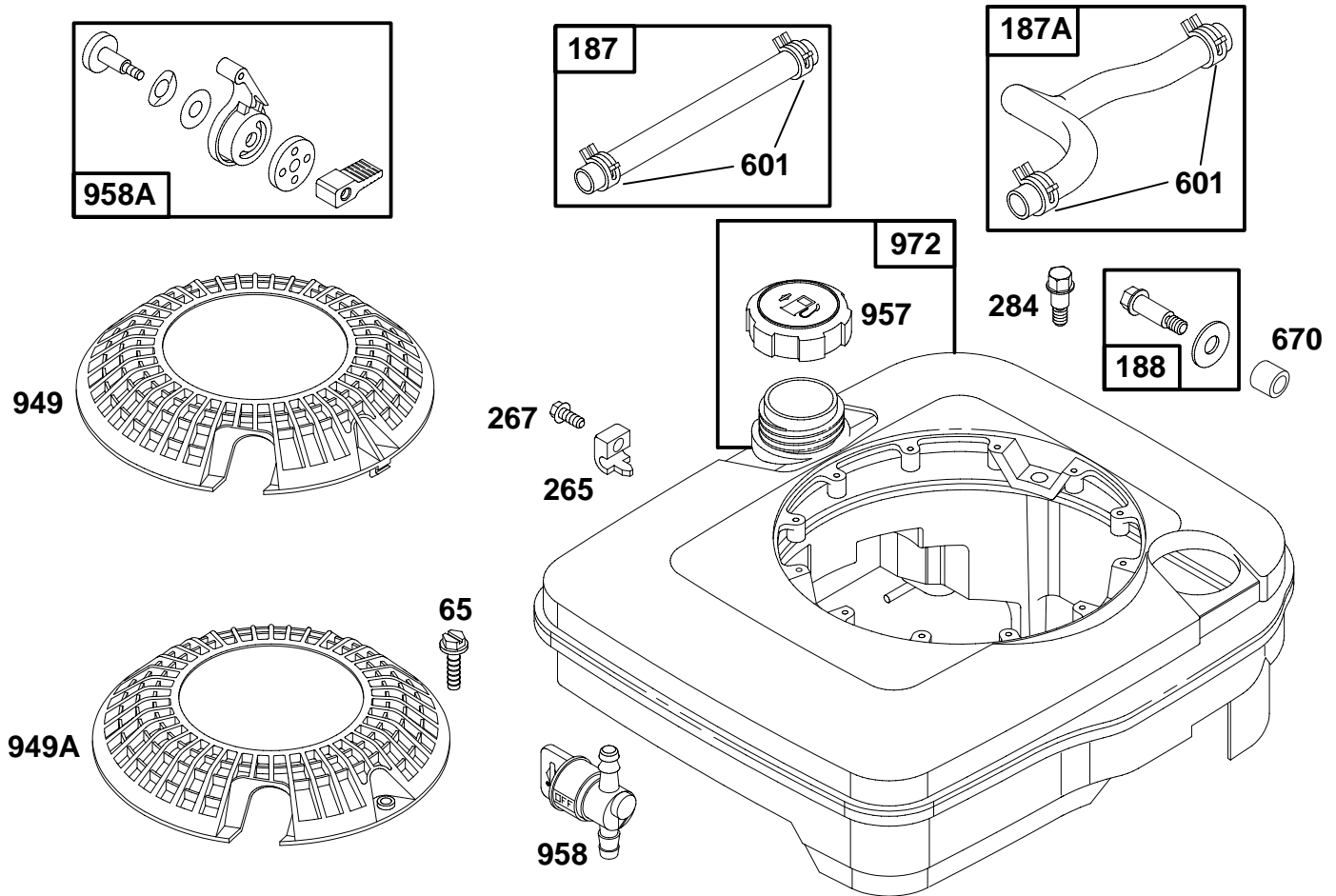
- ★ Included in Gasket Set–Part No. 493263
- Included in Carburetor Overhaul Kit–See Ref. 121.
- ◆ Included in Carburetor Gasket Set–Part No. 490937.

2162–8

Assemblies include all parts shown in frames.

112

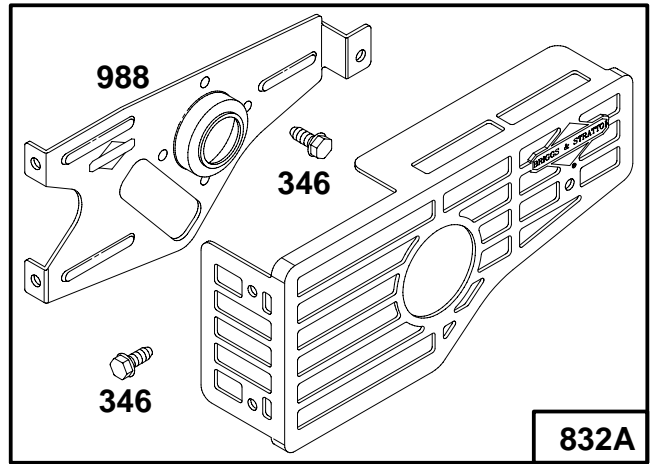
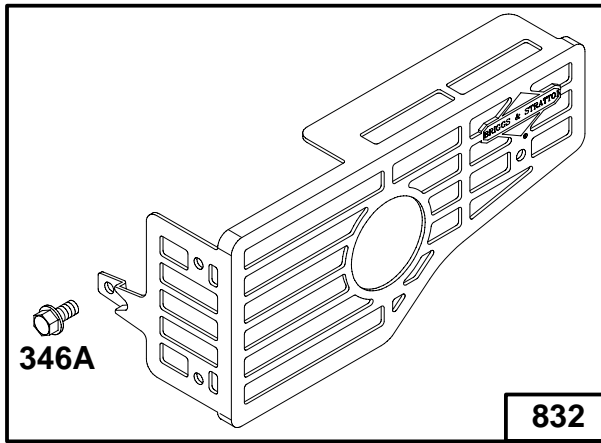
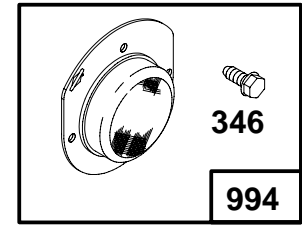
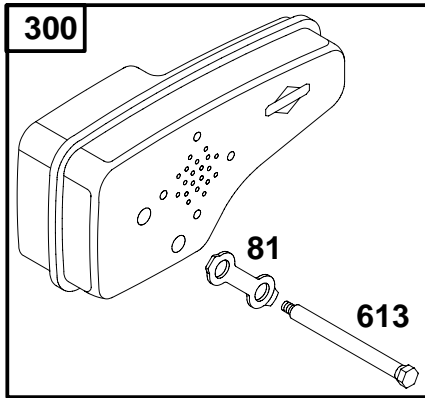
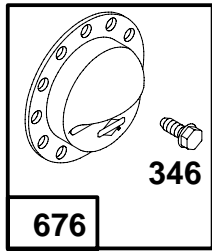
125700 to 125799



REF. NO.	PART NO.	DESCRIPTION	REF. NO.	PART NO.	DESCRIPTION	REF. NO.	PART NO.	DESCRIPTION
65	94058	Screw—Guard Mtg.	670	280512	Spacer—Fuel Tank			494340 Tank Assy.—Fuel (1.5 Quart, Black) (Used Before Code Date 90092400). ——— Note ——— 494356 Tank Assy.—Fuel (1.5 Quart, Red) Used on Type No(s). 0101-01, 0114-01, 0115-01, 3101-01, 4001-01.
187	492790	Hose—Fuel (Cut to Suit)	949	281136	Guard—Finger (Snap-In Style)			
187A	492791	Hose—Fuel (Cut to Suit)	949A	280946	Guard—Finger (Screwed in Style)			
188	398540	Screw—Tank Mounting (Includes Washer)	957	397974	Cap Assembly—Fuel			
265	213146	Clamp—Casing	958	493960	Valve—Fuel Shut-Off (In-Line)			
267	94204	Screw—Clamp Mtg.	958A	494235	Valve—Fuel Shut-Off			
284	94511	Screw—Hex. Head	972	494528	Tank Assembly—Fuel (1.5 Quart, Black) (Used After Code Date 90092300).			
601	93053	Clamp—Hose (Green) 93807 Clamp—Hose (Black)						

- ★ Included in Gasket Set—Part No. 493263
- Included in Carburetor Overhaul Kit—See Ref. 121.
- ◆ Included in Carburetor Gasket Set—Part No. 490937.

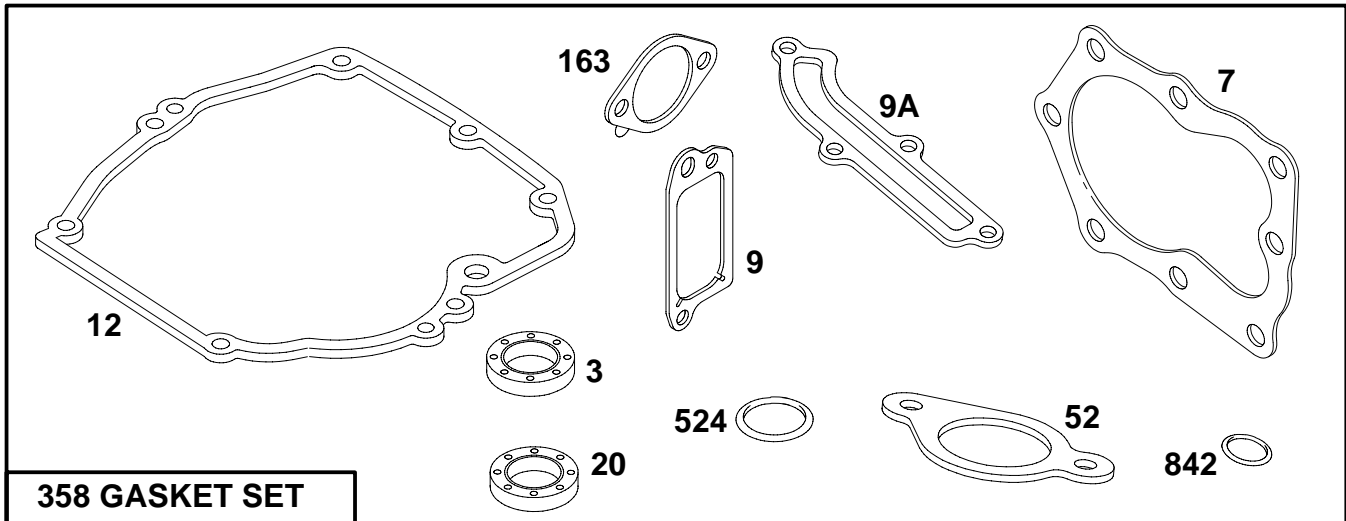
125700 to 125799



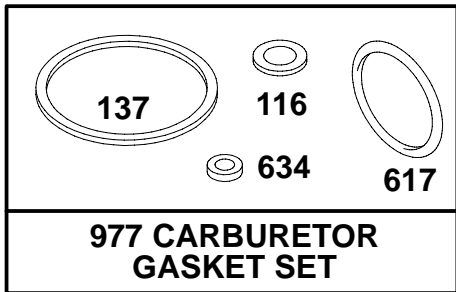
REF. NO.	PART NO.	DESCRIPTION	REF. NO.	PART NO.	DESCRIPTION	REF. NO.	PART NO.	DESCRIPTION
81	223664	Lock-Muffler Screw	613	94231	Screw-Muffler Mounting	832A	494224	Guard-Muffler
300	490547	Muffler-Exhaust	676	396548	Deflector-Exhaust	988	223828	Bracket-Muffler Guard
346	93705	Screw-Hex. Head	832	494224	Guard-Muffler	994	398067	Arrester-Spark
346A	94602	Screw-Hex. Head						

- ★ Included in Gasket Set-Part No. 493263
- Included in Carburetor Overhaul Kit-See Ref. 121.
- ◆ Included in Carburetor Gasket Set-Part No. 490937.

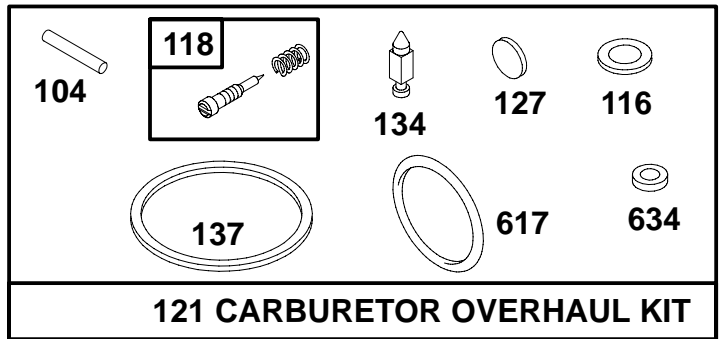
125700 to 125799



358 GASKET SET



977 CARBURETOR GASKET SET



121 CARBURETOR OVERHAUL KIT

REF. NO.	PART NO.	DESCRIPTION	REF. NO.	PART NO.	DESCRIPTION	REF. NO.	PART NO.	DESCRIPTION
3	★299819	Seal—Oil	121	493762	<p align="center">Note</p> <p>●492945 Valve and Spring—Needle (Used Before Code Date 90060400).</p> <p>◆92495 Carburetor Overhaul Kit (Used After Code Date 90060300).</p> <p align="center">Note</p> <p>◆492495 Carburetor Overhaul Kit (Used Before Code Date 90060400).</p>	127	●	Plug—Welch
7	★272200	Gasket—Cylinder Hd.				134	●398188	Valve—Inlet (Includes Seat)
9	★271904	Gasket—Valve Cover				137	◆◆	Gasket—Bowl (Sold in Kit Only).
9A	★272238	Gasket—Baffle Plate				163	★272296	Gasket—Air Cleaner
12	★272198	Gasket—Crankcase				358	493263	Gasket Set
20	★399781	Seal—Oil				524	★280393	Seal—Filler Tube
52	★272199	Gasket—Intake Elbow				617	◆◆270344	Seal—Fuel Intake Tube
104	◆231371	Pin—Float Hinge				634	◆◆	Washer—Shaft (Sold in Kit Only).
116	◆◆	Gasket—Sealing (Sold in Kit Only).				842	★280966	Seal—O-Ring
118	◆493765	Valve and Spring—Needle (Used After Code Date 90060300).				977	490937	Gasket Set—Carburetor

★ Included in Gasket Set—Part No. 493263
 ● Included in Carburetor Overhaul Kit—See Ref. 121.
 ◆ Included in Carburetor Gasket Set—Part No. 490937.