

**124800 to 124899**

# Illustrated Parts List

## Model Series

### 124800 to 124899

#### TYPE NUMBERS

0106,  
0206 through 0284,  
0406 through 0472,  
0508 through 0560,  
0610,  
3100 through 3130,  
3201 through 3246,  
3401 through 3440.

#### TO FIND

#### THE CORRECT NUMBER OF THE PART YOU NEED: FOLLOW THE INSTRUCTIONS BELOW

- A. Refer to Engine Model, Type and Code Number that is stamped on the blower housing of engine. Engine type numbers such as 0123 01 are listed only as 0123 in most instances. The two digits (01 or 02, etc.) to the right of the space may be required for more accurate parts identification in some instances. Select the Illustrated Parts List covering the correct Model Series and Type Number.
- B. Refer to the Illustrations and compare the original part with Illustration. The number next to the illustration is the Reference Number. Assemblies include all parts shown in frames. All parts shown in assembly frames having individual reference numbers can be purchased separately.
- C. After the Reference Number has been identified, refer to the Numerical text, where Reference and Primary Part Number are listed. **THE PRIMARY PART IS USED ON ALL TYPE NUMBERS EXCEPT THOSE TYPE NUMBERS UNDER "NOTE."**
- D. If a "Note" appears below the Primary Part Number, it means that this part differs from the Primary Part for certain types. If your Type number is listed under "Note," order the part referred to at the "Note."
- E. If your Engine Type Number does not appear after any part number listed under "Note," use the Primary Part Number.
- F. For Engine Type Numbers not covered by this book, check other Parts Lists having the same engine model or contact your source of supply.

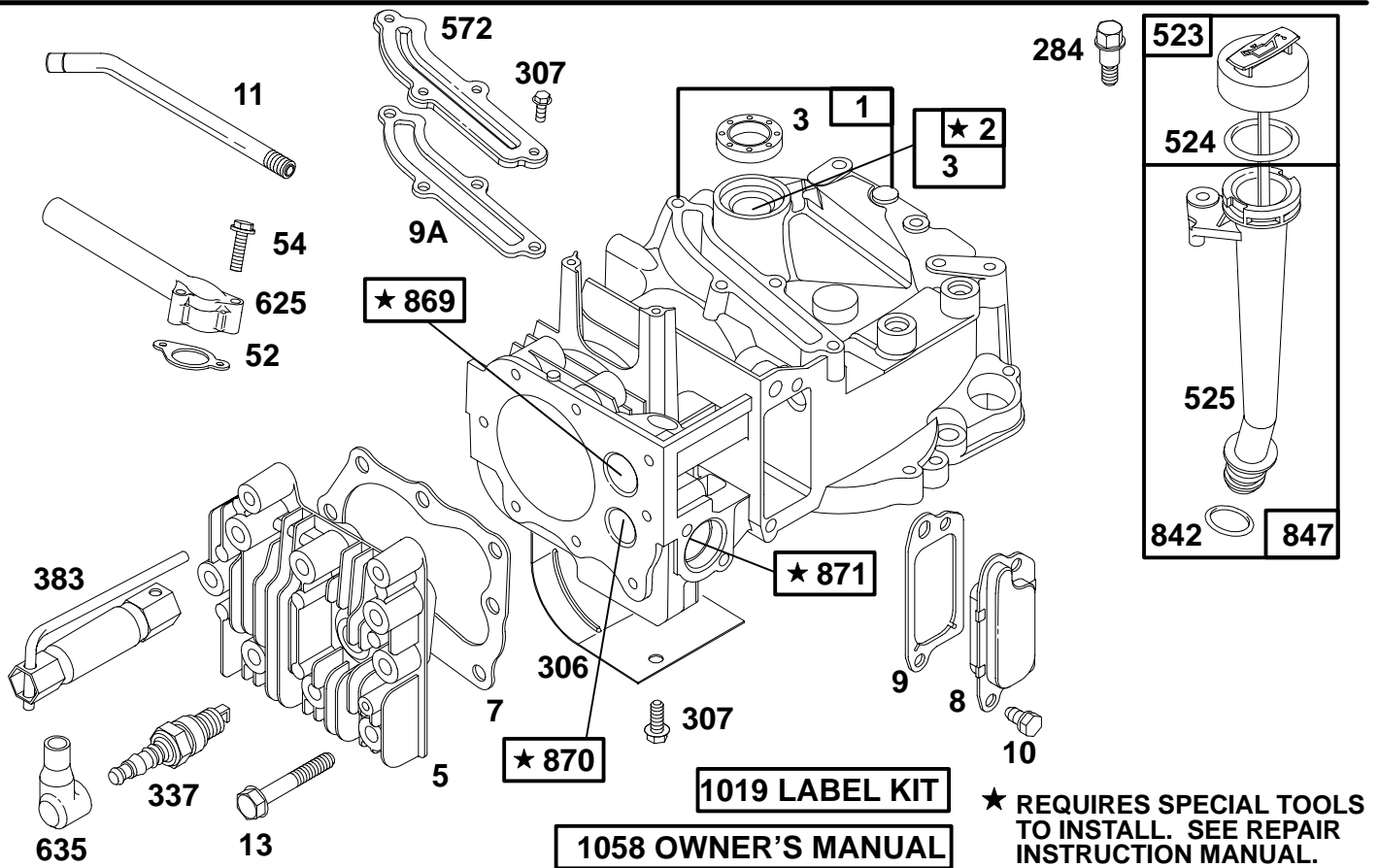
PRINTED IN U.S.A.

COPYRIGHT©

**BRIGGS & STRATTON**



# 124800 to 124899

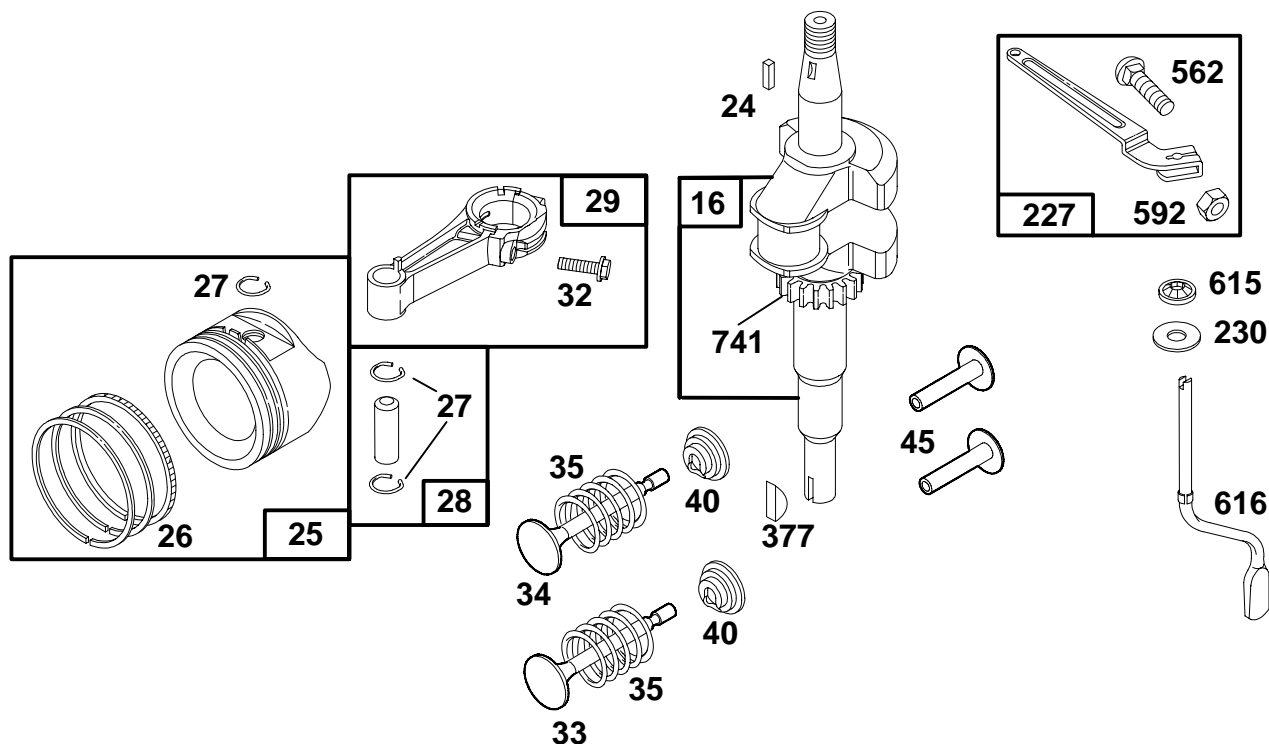


★ **REQUIRES SPECIAL TOOLS TO INSTALL. SEE REPAIR INSTRUCTION MANUAL.**

REF. NO.	PART NO.	DESCRIPTION	REF. NO.	PART NO.	DESCRIPTION	REF. NO.	PART NO.	DESCRIPTION
1	493260	Cylinder		492167	Plug-Spark (1-7/8" High, 48 mm)	842	★280966	Seal-Cap
2	293708	Bushing		383	89838 Wrench-Spark Plug	847	495263	Tube-Oil Fill (Used After Code Date 92072600).
3	★299819	Seal-Oil		523	495264 Cap-Oil Fill (Used After Code Date 92072600).	————— <b>Note</b> —————		
5	213861	Head-Cylinder		524	★280393 Seal-Fill Tube		869	213512 Seat-Valve (Intake)
7	★272200	Gasket-Cylinder Hd.		525	495265 Tube-Oil Fill (Used After Code Date 92072600).		870	213513 Seat-Valve (Exhaust)
8	494489	Breather-Assembly					871	262001 Bushing-Guide (Exhaust)
9	★272481	Gasket-Breather				————— <b>Note</b> —————		
9A	★272238	Gasket-Breather					1019	494256 Label Kit
10	94650	Screw-Breather Mtg.					1058	272262 Owner's Manual
11	231685	Tube-Breather		572	224328 Baffle-Cylinder			
13	94547	Screw-Cylinder Hd.		625	492717 Manifold-Intake			
52	★272199	Gasket-Intake Elbow		635	66538 Boot-Spark Plug			
54	94526	Screw-Hex. Head						
284	94511	Screw-Hex. Head						
306	224324	Shield-Cylinder						
307	94515	Screw-Hex. Head						
337	802592	Plug-Spark (Resistor Type) (1-7/8" High, 48 mm)						

- ★ Included in Gasket Set—See Ref. 358.
- Included in Carburetor Kit—Part No. 493762.
- ◆ Included in Carburetor Gasket Set—Part No. 490937.

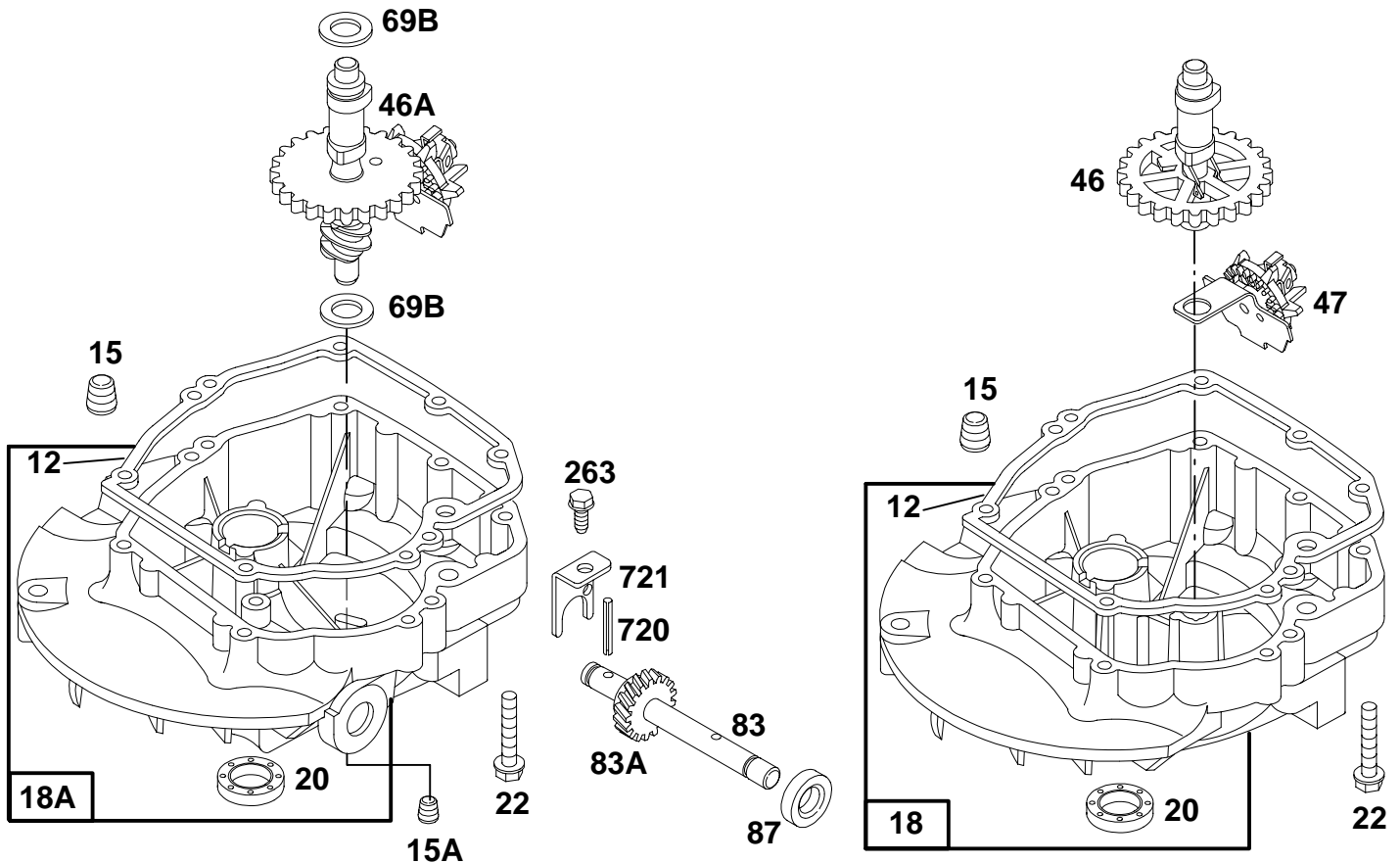
**124800 to 124899**



REF. NO.	PART NO.	DESCRIPTION	REF. NO.	PART NO.	DESCRIPTION	REF. NO.	PART NO.	DESCRIPTION
16		Crankshaft <b>See Last Page.</b>			<b>493389</b> Ring Set (.020" O.S.)	33	<b>262651</b>	Valve-Exhaust
24	<b>222698</b>	Key-Flywheel			<b>493390</b> Ring Set (.030" O.S.)	34	<b>262652</b>	Valve-Intake
25	<b>493262</b>	Piston Assy. (Standard)	27	<b>26026</b>	Lock-Piston Pin	35	<b>262224</b>	Spring-Valve
		<b>493385</b> Piston Assy. (.010" O.S.)	28	<b>298909</b>	Pin-Piston (Standard)	40	<b>93312</b>	Retainer-Valve
		<b>493386</b> Piston Assy. (.020" O.S.)	29	<b>490566</b>	Rod-Connecting <b>490743</b> Rod-Connecting (.020" Undersize)	45	<b>262204</b>	Tappet-Valve
		<b>493387</b> Piston Assy. (.030" O.S.)	32	<b>94699</b>	Screw-Connecting Rod	227	<b>492349</b>	Lever Assembly-Gov.
26	<b>493261</b>	Ring Set (Standard)				230	<b>67072</b>	Washer-Gov. Crank
		<b>493388</b> Ring Set (.010" O.S.)				377	<b>94329</b>	Key-Woodruff (For 25 mm Crankshaft)
						562	<b>92613</b>	Bolt-Governor Lever
						592	<b>231082</b>	Nut-Hex.
						615	<b>94474</b>	Fastener
						616	<b>262578</b>	Crank-Governor
						741	<b>262598</b>	Gear-Timing

- ★ Included in Gasket Set-See Ref. 358.
- Included in Carburetor Kit-Part No. 493762.
- ◆ Included in Carburetor Gasket Set-Part No. 490937.

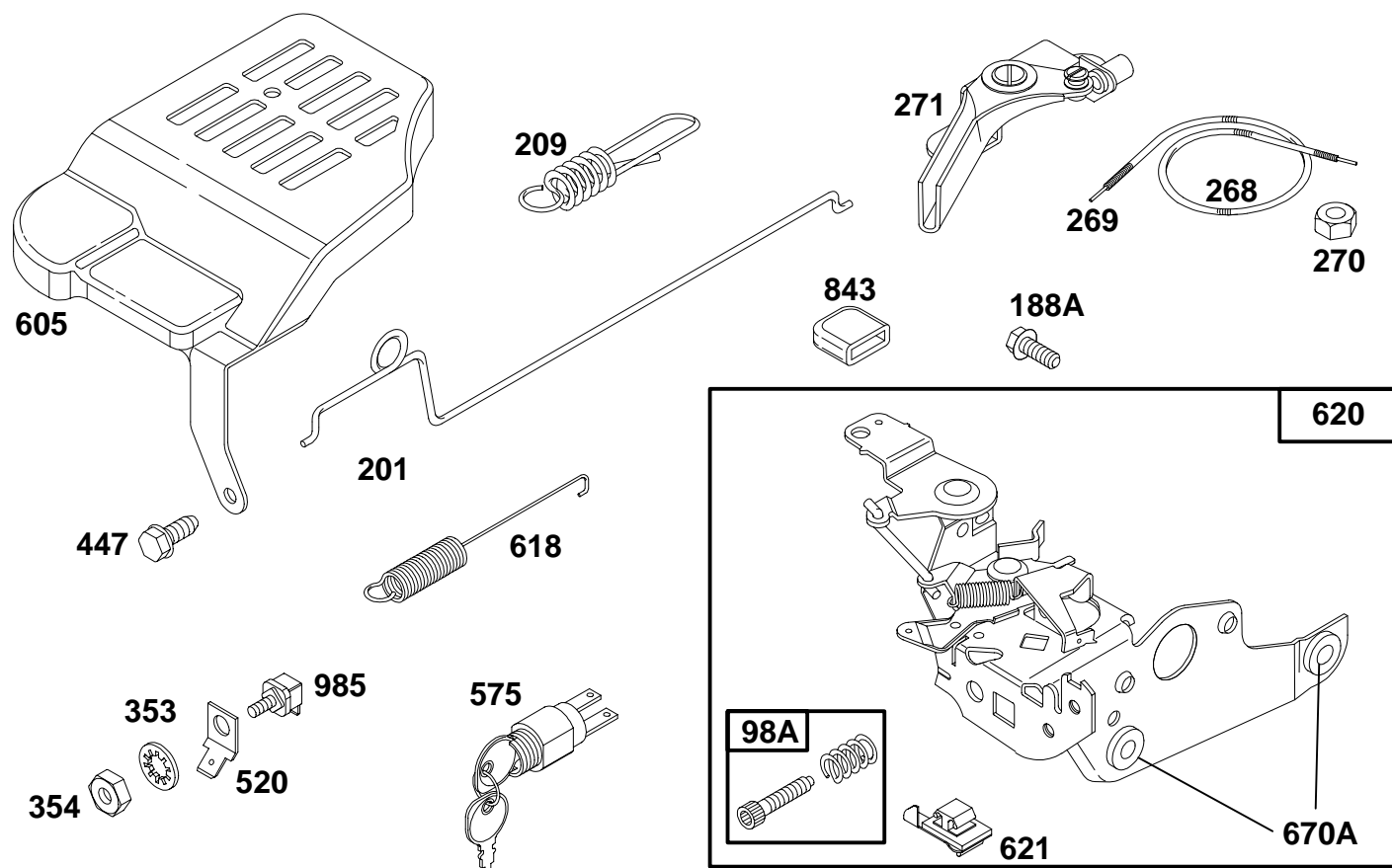
# 124800 to 124899



REF. NO.	PART NO.	DESCRIPTION	REF. NO.	PART NO.	DESCRIPTION	REF. NO.	PART NO.	DESCRIPTION
12	★272198	Gasket-Crankcase	46A	493738	Gear-Cam (Counterclockwise)	83	231671	Shaft-Drive
15	94613	Plug-Oil Drain	47	493737	Slinger-Oil (Used After Code Date 90030450 and 90031800).	<p>———— <b>Note</b> ————</p> <p><b>231711</b> Gear-Drive Used on Type No(s). 3424.</p> <p><b>231748</b> Gear-Drive Used on Type No(s). 0219, 0220, 0262, 0267, 0426, 0470.</p> <p><b>231909</b> Gear-Drive Used on Type No(s). 0516, 3241.</p>		
15A	94470	Plug-Oil Drain (Hex. Socket, 1/16-27 NPTF)			———— <b>Note</b> ————	83A	231279	Gear-Drive
18	493279	Sump-Engine			<b>492524</b> Slinger-Oil (Used Before Code Date 90030550 and 90031900).	87	391484	Seal-Oil
18A	493365	Sump-Engine	69B	68938	Washer-Thrust	263	93572	Screw-Self Tap
20	★399781	Seal-Oil				720	93474	Pin-Roll
22	94220	Screw-Hex. Head				721	224249	Stop-Shaft
		———— <b>Note</b> ————						
		<b>94612</b> Screw-Hex. Head One Used in Hole Nearest Breather.						

- ★ Included in Gasket Set-See Ref. 358.
- Included in Carburetor Kit-Part No. 493762.
- ◆ Included in Carburetor Gasket Set-Part No. 490937.

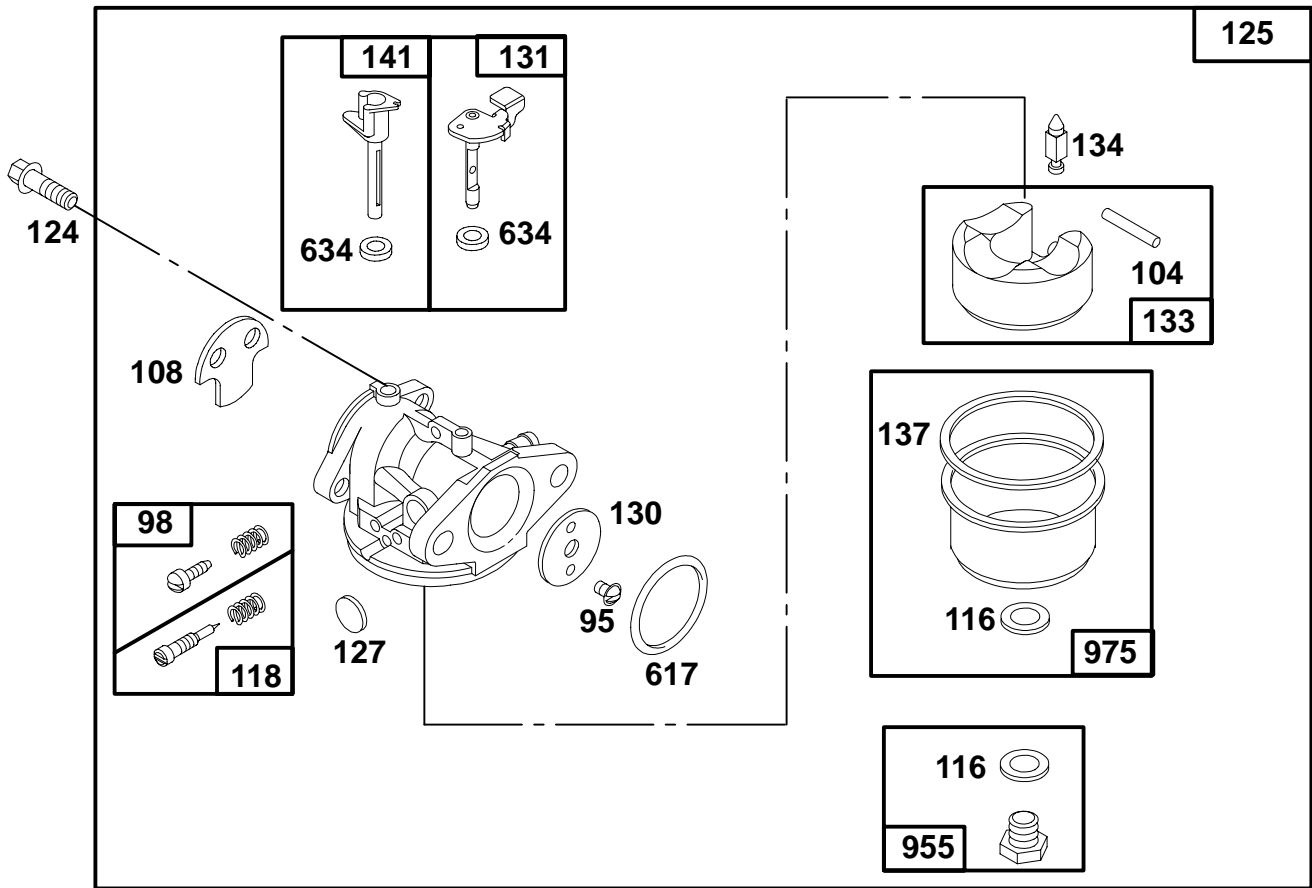
**124800 to 124899**



REF. NO.	PART NO.	DESCRIPTION	REF. NO.	PART NO.	DESCRIPTION	REF. NO.	PART NO.	DESCRIPTION		
98A	493280	Screw-Speed Adj.			<p align="center"><b>———— Note ————</b></p> <p>If Longer Wire is Needed, Specify Length in Inches; if Shorter Wire is Needed and Cut to Required Length.</p>			493894	Bracket-Control (Used Before Code Date 93080200).	
188A	94644	Screw-Hex. Hd.							<b>———— Note ————</b>	
201	262579	Link							495976	Bracket-Control (Manual Friction Control) (Used After Code Date 93080100).
209		Spring-Governor								
		<b>See Last Pages.</b>								
268	65616	Casing-Wire (72" Long)								
		66986 Casing-Wire (48" Long)	270	63426		Locknut-Casing				
		<b>———— Note ————</b>	271	290568		Lever-Control				
		If Longer Casing is Needed, Specify Length in Inches; if Shorter Casing is Needed Order and Cut to Required Length.	353	92791		Washer-Lock				
			354	90576		Nut-Hex.				
269	26633	Wire-Control (78" Long)	447	93801	Screw-Hex. Hd.				493895	Bracket-Control (Used Before Code Date 93080200). Used on Type No(s). 3228, 3230.
		26099 Wire-Control (54" Long)	520	93722	Terminal	621	396847	Switch-Stop		
			575	396291	Switch Assy.-Key	670A	*493823	Spacer (Includes 2)		
					<b>Include(s):</b>					
			605	224509	Cover-Control					
			618	262749	Spring-Return					
			620	495975	Bracket-Control (Remote Control) (Used After Code Date 93080100).					
						843	272616	Sleeve-Lever		
						985	398525	Insulator		

- ★ Included in Gasket Set-See Ref. 358.
- Included in Carburetor Kit-Part No. 493762.
- ◆ Included in Carburetor Gasket Set-Part No. 490937.

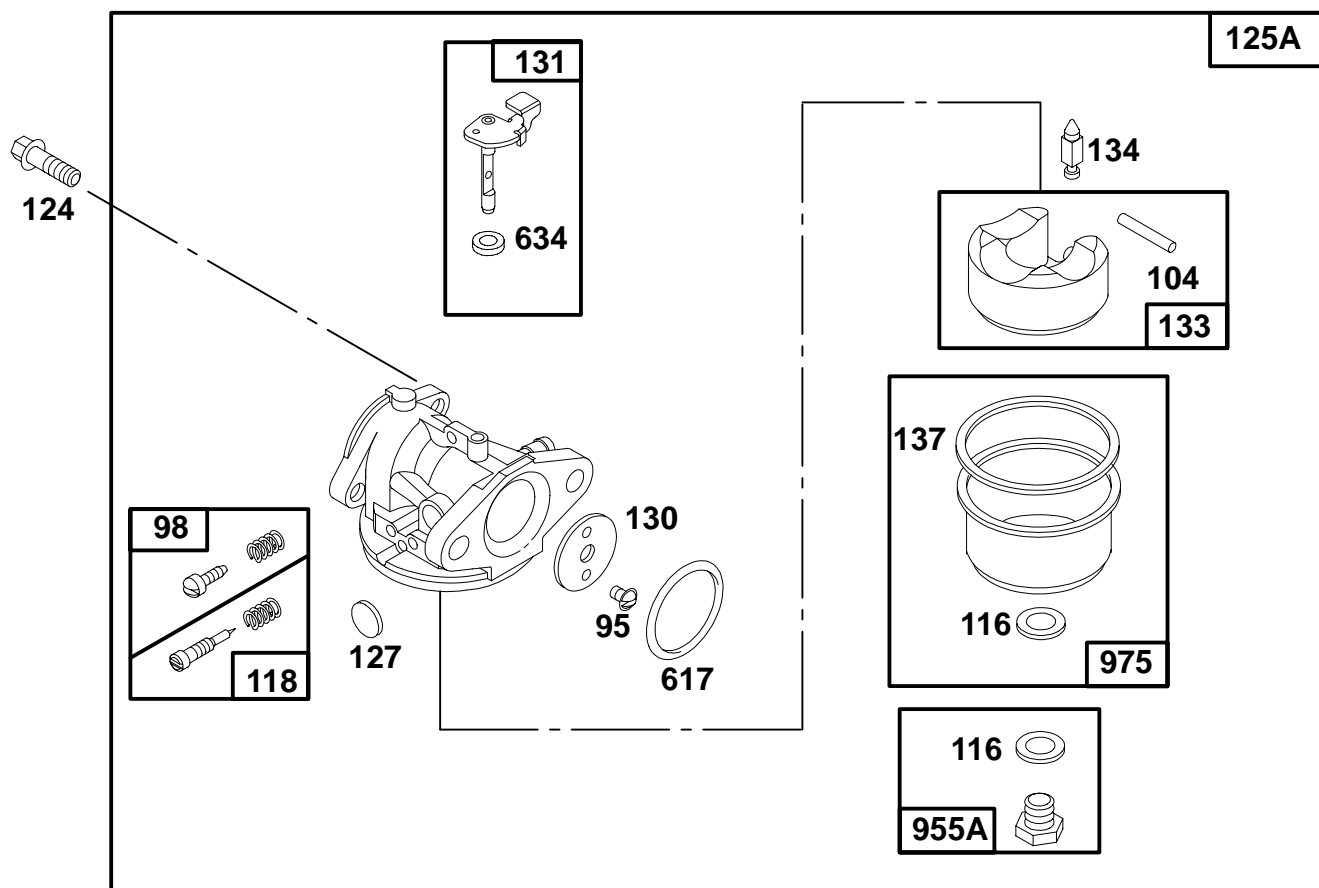
# 124800 to 124899



REF. NO.	PART NO.	DESCRIPTION	REF. NO.	PART NO.	DESCRIPTION	REF. NO.	PART NO.	DESCRIPTION
95	94098	Screw-Round Head	127	●	Plug-Welch (Sold in Kit Only)			<b>OR</b>
98	398185	Screw-Idle Adjustment	130	223470	Valve-Throttle			493763 Screw-Float Bowl (High Altitude)
104	●231371	Pin-Float Hinge	131	493267	Shaft-Throttle			<b>Note</b>
108	223471	Valve-Choke	133	398187	Float-Carburetor			493637 Screw-Float Bowl (Standard)
116	◆◆	Gasket-Sealing (Sold in Kit Only)	134	●398188	Valve-Needle (Includes Seat)			<b>OR</b>
118	●493765	Valve Kit-Needle	137	◆◆	Gasket-Float Bowl (Sold in Kit Only)			494870 Screw-Float Bowl (High Altitude)
124	94525	Screw-Carburetor Mounting	141	494218	Shaft-Choke			Used on Type No(s). 3110, 3117, 3208, 3224, 3408, 3414, 3421, 3423, 3424.
125	494217	Carburetor <b>SEE NEXT PAGE FOR ADDITIONAL CARBURETOR.</b>	617	◆◆270344	Seal-Fuel Intake Tube			
		<b>Note</b>	634	◆◆	Washer-Shaft (Sold in Kit Only)			
		493627 Carburetor (For Primer) (Used Before Code Date 93080200). Used on Type No(s). 3110, 3117, 3208, 3224, 3408, 3414, 3421, 3423, 3424.	955	493869	Screw-Float Bowl (Standard)			
						975	493640	Bowl-Float

- ★ Included in Gasket Set-See Ref. 358.
- Included in Carburetor Kit-Part No. 493762.
- ◆ Included in Carburetor Gasket Set-Part No. 490937.

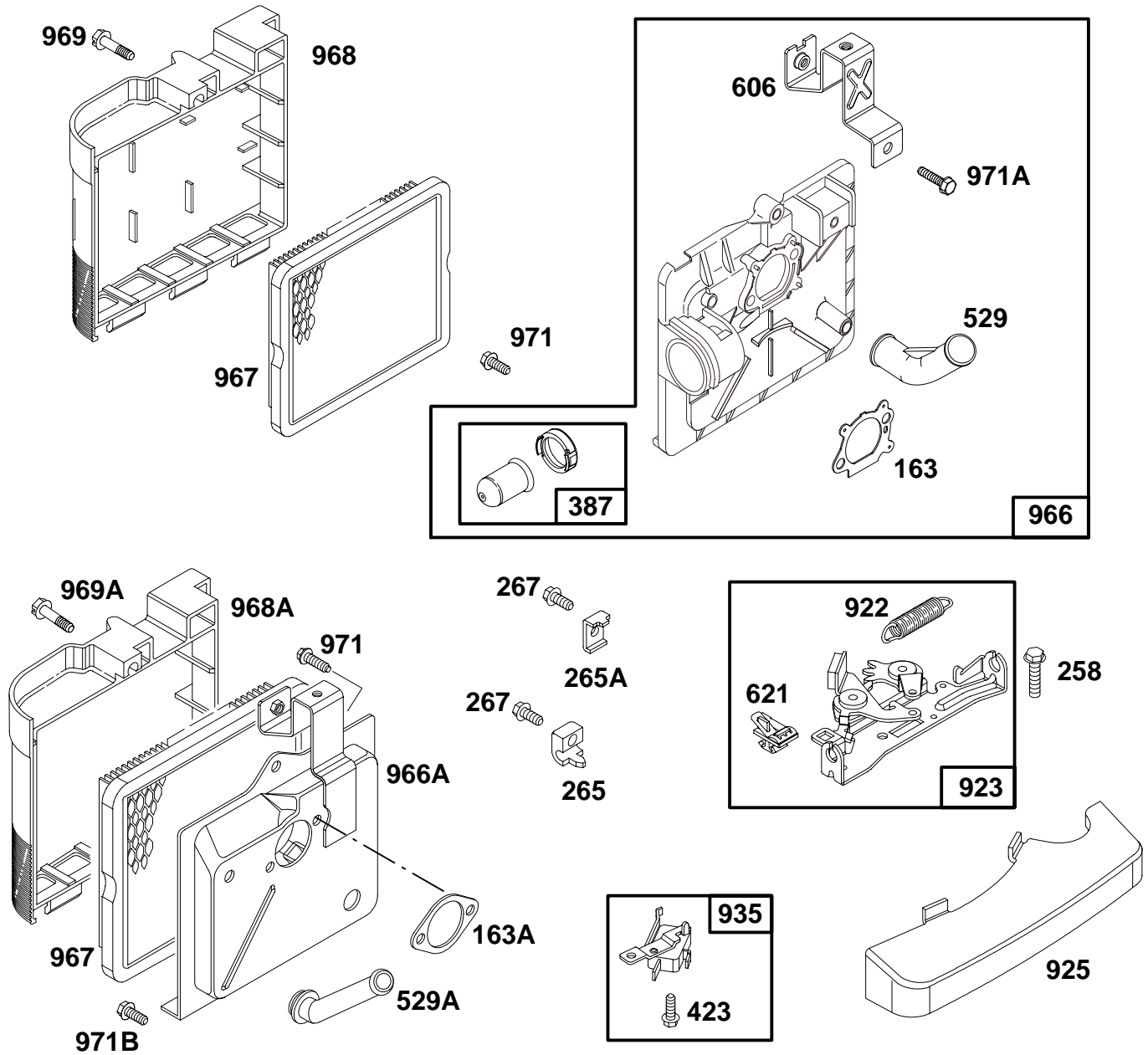
**124800 to 124899**



REF. NO.	PART NO.	DESCRIPTION	REF. NO.	PART NO.	DESCRIPTION	REF. NO.	PART NO.	DESCRIPTION
95	94098	Screw—Round Head	127	●	Plug—Welch (Sold in Kit Only)	617	●●270344	Seal—Fuel Intake Tube
98	398185	Screw—Idle Adjustment	130	223470	Valve—Throttle	634	●◆	Washer—Shaft (Sold in Kit Only)
104	●231371	Pin—Float Hinge	131	493267	Shaft—Throttle	955A	493637	Screw—Float Bowl (Standard)
116	●◆	Gasket—Sealing (Sold in Kit Only)	133	398187	Float—Carburetor	<b>Note</b>		
118	●493765	Valve Kit—Needle	134	●398188	Valve—Needle (Includes Seat)	496063		Screw—Float Bowl (For High Altitude)
124	94525	Screw—Carb. Mtg.	137	●◆	Gasket—Float Bowl (Sold in Kit Only)	975	493640	Bowl—Float
125A	496114	Carburetor (For Primer) (Used After Code Date 93080100).						

- ★ Included in Gasket Set—See Ref. 358.
- Included in Carburetor Kit—Part No. 493762.
- ◆ Included in Carburetor Gasket Set—Part No. 490937.

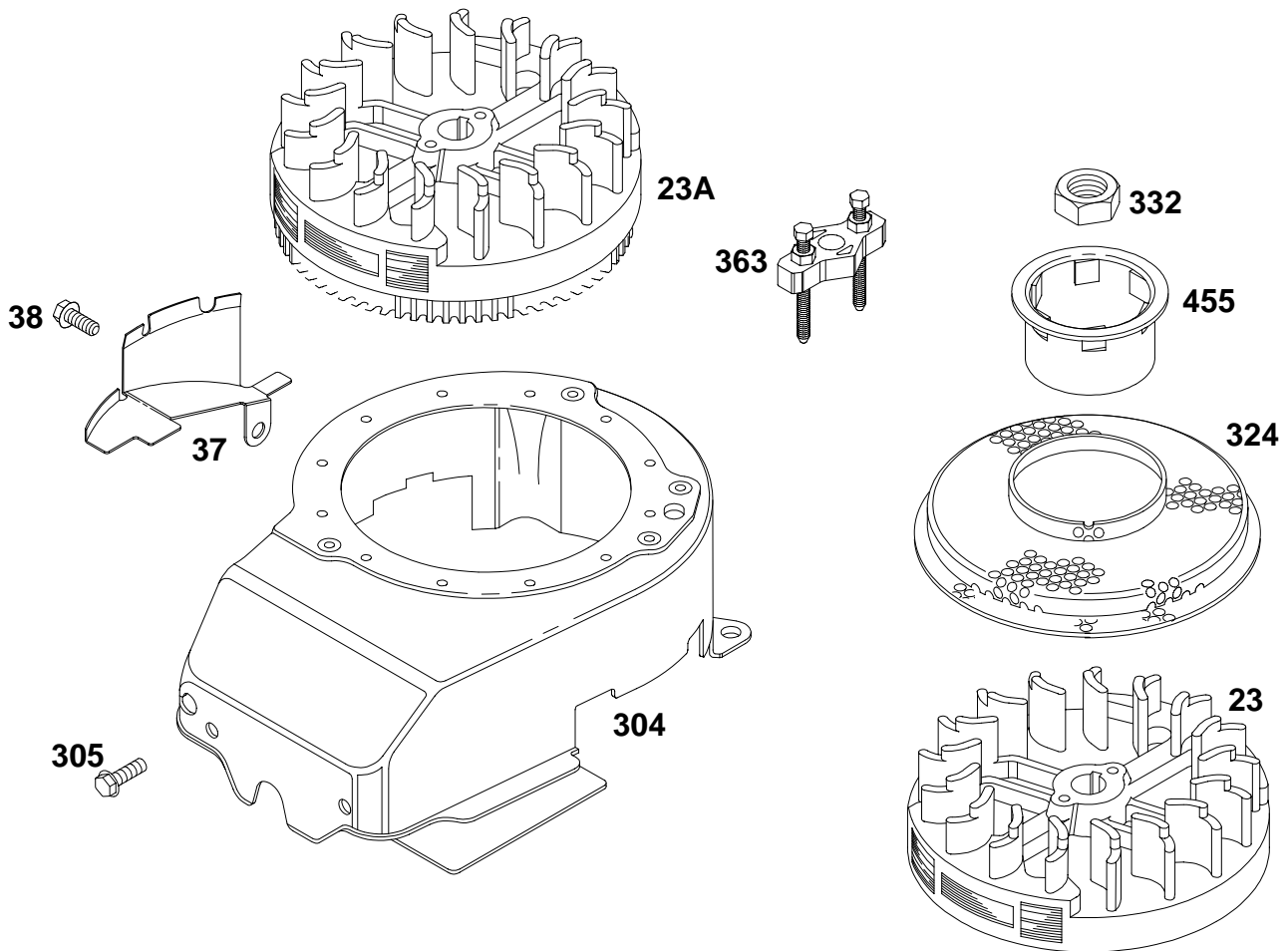
# 124800 to 124899



REF. NO.	PART NO.	DESCRIPTION	REF. NO.	PART NO.	DESCRIPTION	REF. NO.	PART NO.	DESCRIPTION
163	★272653	Gasket–Air Cleaner	922	262640	Spring–Brake	967	491588	Filter–Air
163A	★272296	Gasket–Air Cleaner	923	493442	Brake	968	281340	Cover–Air Cleaner
258	94512	Screw–Hex. Head	925	281145	Cover–Linkage	968A	281069	Cover–Air Cleaner
265	213146	Clamp–Casing	935	398758	Switch–Interlock	969	94120	Screw–Hex. Head
265A	221535	Clamp–Casing	966	496116	Base–Air Cleaner (Primer Style)	969A	94173	Screw–Air Cleaner
267	94204	Screw–Clamp Mtg.				971	94121	Screw–Hex. Head
387	496115	Primer–Carburetor				971A	94749	Screw–Hex. Head
423	93758	Screw–Hex. Hd.				971B	94269	Screw–Air Cleaner
529	281299	Grommet	966A	494735	Base–Air Cleaner (Metal)			
529A	280943	Grommet						
606	224815	Strap–Bracket						
621	396847	Switch–Stop						

- ★ Included in Gasket Set–See Ref. 358.
- Included in Carburetor Kit–Part No. 493762.
- ◆ Included in Carburetor Gasket Set–Part No. 490937.

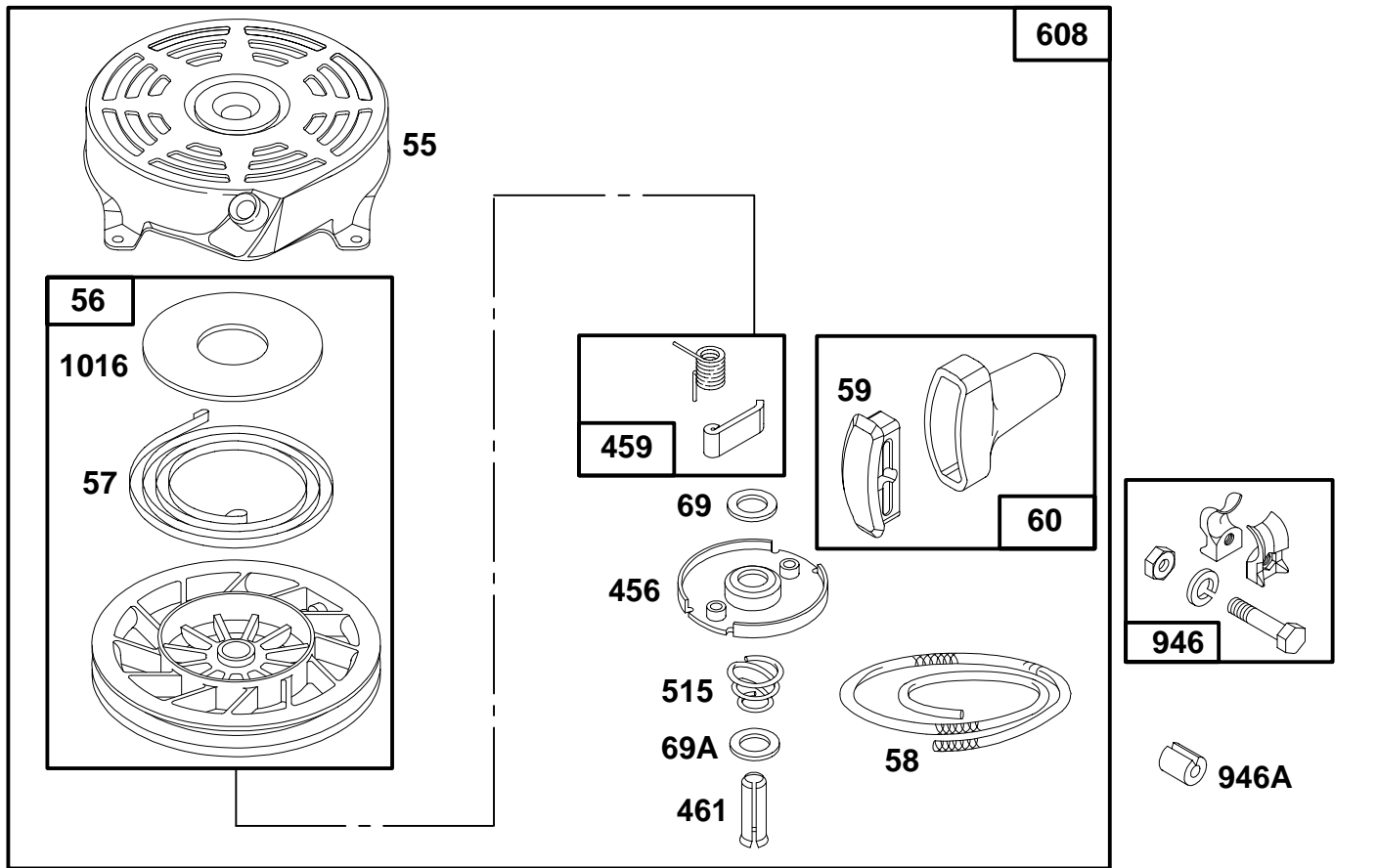




REF. NO.	PART NO.	DESCRIPTION	REF. NO.	PART NO.	DESCRIPTION	REF. NO.	PART NO.	DESCRIPTION
23	492177	Flywheel	304	493294	Housing-Blower	305	94513	Screw-Hex. Head
23A	492175	Flywheel			Used on Engines without Band Brake.			<b>Note</b>
		<b>Note</b>						94513 Screw-Hex. Head
		492893 Flywheel			<b>Note</b>			94167 Stud
		Used on Type No(s). 0213, 0418, 0424.			493293 Housing Blower			90832 Lockwasher
37	224511	Guard-Flywheel			Used on Engines with Band Brake.	324	224251	Screen-Rotating
38	94608	Screw-Hex. Hd.				332	92284	Nut-Flywheel
						363	19069	Flywheel Puller
						455	224250	Cup-Flywheel

- ★ Included in Gasket Set-See Ref. 358.
- Included in Carburetor Kit-Part No. 493762.
- ◆ Included in Carburetor Gasket Set-Part No. 490937.

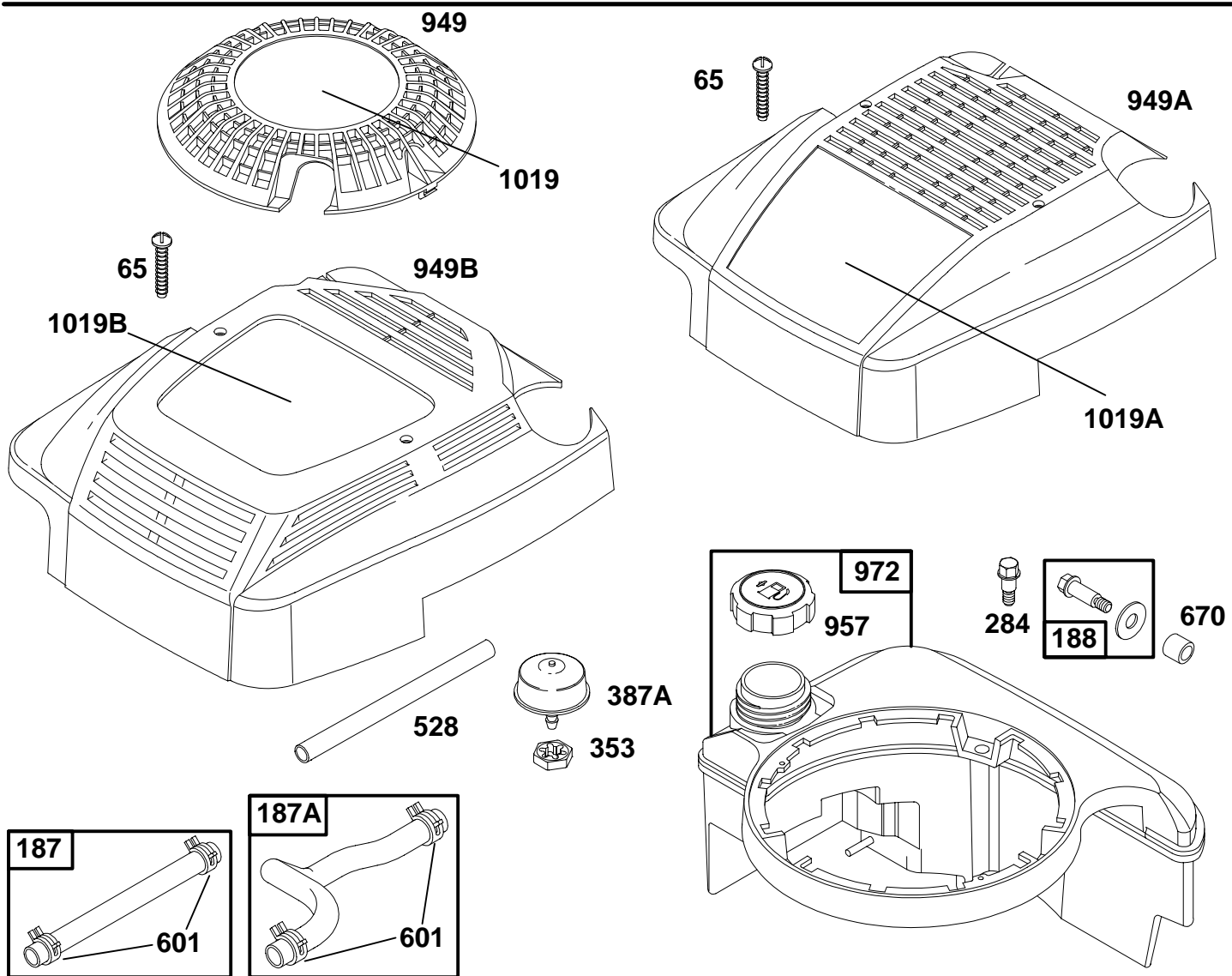
# 124800 to 124899



REF. NO.	PART NO.	DESCRIPTION	REF. NO.	PART NO.	DESCRIPTION	REF. NO.	PART NO.	DESCRIPTION
55	492831	Housing–Rewind Starter	60	393152	Grip–Starter	608	493295	Starter–Rewind
56	493824	Pulley–Starter	69	280973	Washer–Spring			<b>Include(s):</b>
57	262594	Spring–Rewind Starter	69A	224322	Washer–Flat			94128 Screw–Hex. Hd
58	280399	Rope–Starter (Cut To Suit)	456	224321	Retainer–Spring			92987 Nut–Hex.
59	396892	Insert–Handle	459	492833	Pawl–Starter	946	396526	Guide–Rope
			461	262626	Pin–Shaft	946A	223294	Stop–Rope
			515	262625	Spring–Retainer	1016	224278	Cover–Pulley

- ★ Included in Gasket Set–See Ref. 358.
- Included in Carburetor Kit–Part No. 493762.
- ◆ Included in Carburetor Gasket Set–Part No. 490937.

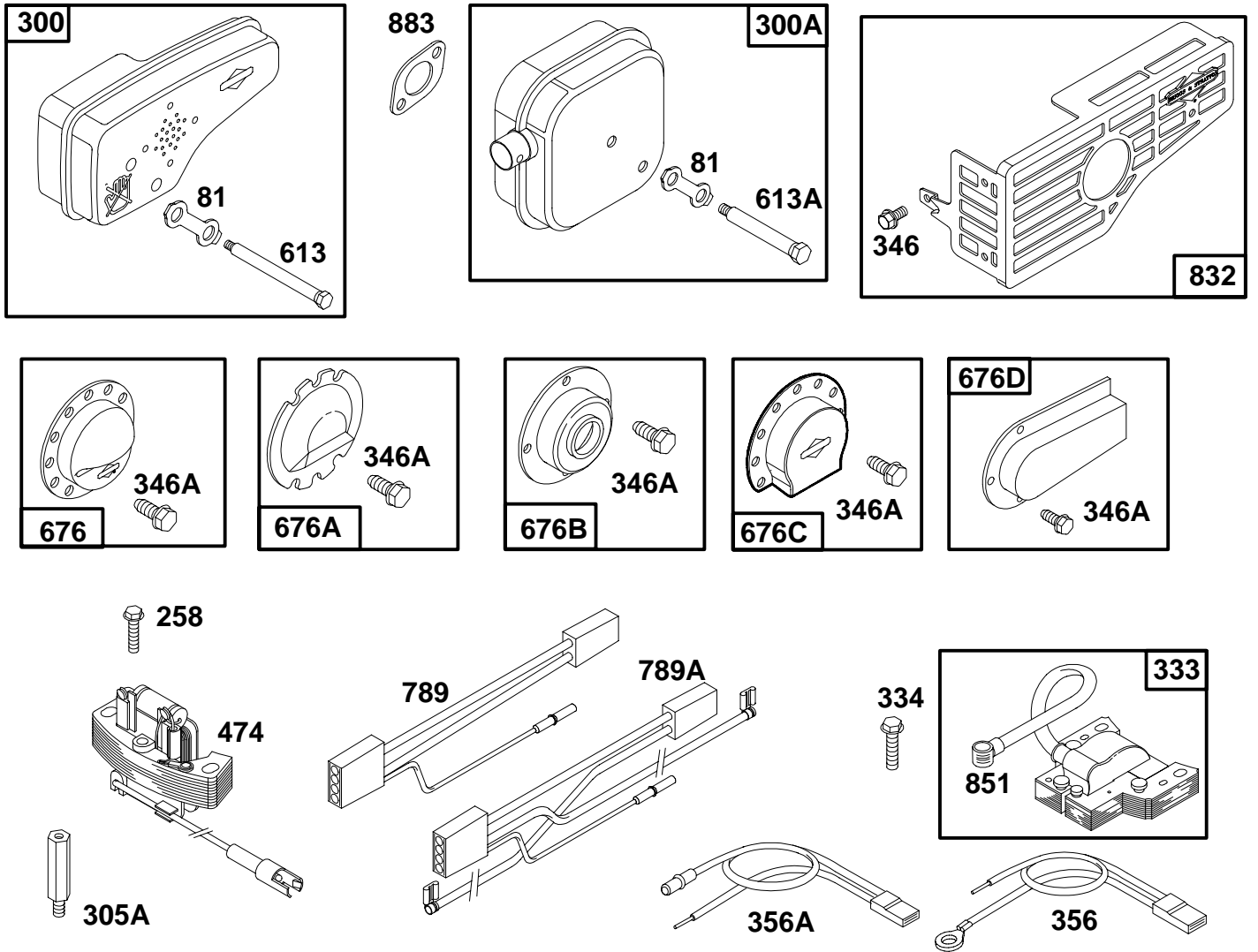
**124800 to 124899**



REF. NO.	PART NO.	DESCRIPTION	REF. NO.	PART NO.	DESCRIPTION	REF. NO.	PART NO.	DESCRIPTION	
65	94696	Screw-Guard Mtg.	528	399254	Line-Fuel (For Primer)	949A	497233	Guard-Finger	
187	492790	Line-Fuel (Cut to Suit)	601	93053	Clamp-Hose (Green)	949B	496642	Guard-Finger	
187A	492791	Line-Fuel			<b>Note</b>	957	397974	Cap-Fuel Tank	
188	398540	Screw-Tank Mounting			93807	Clamp-Hose (Black)	972	495224	Tank-Fuel (1.6 Quart, Black)
284	94511	Screw-Hex. Head	670	280512	Spacer	1019	494256	Label Kit	
353A	94581	Locknut	949	281136	Guard-Finger	1019A	495354	Label Kit	
387A	394281	Primer-Carburetor				1019B	496658	Label Kit	

- ★ Included in Gasket Set-See Ref. 358.
- Included in Carburetor Kit-Part No. 493762.
- ◆ Included in Carburetor Gasket Set-Part No. 490937.

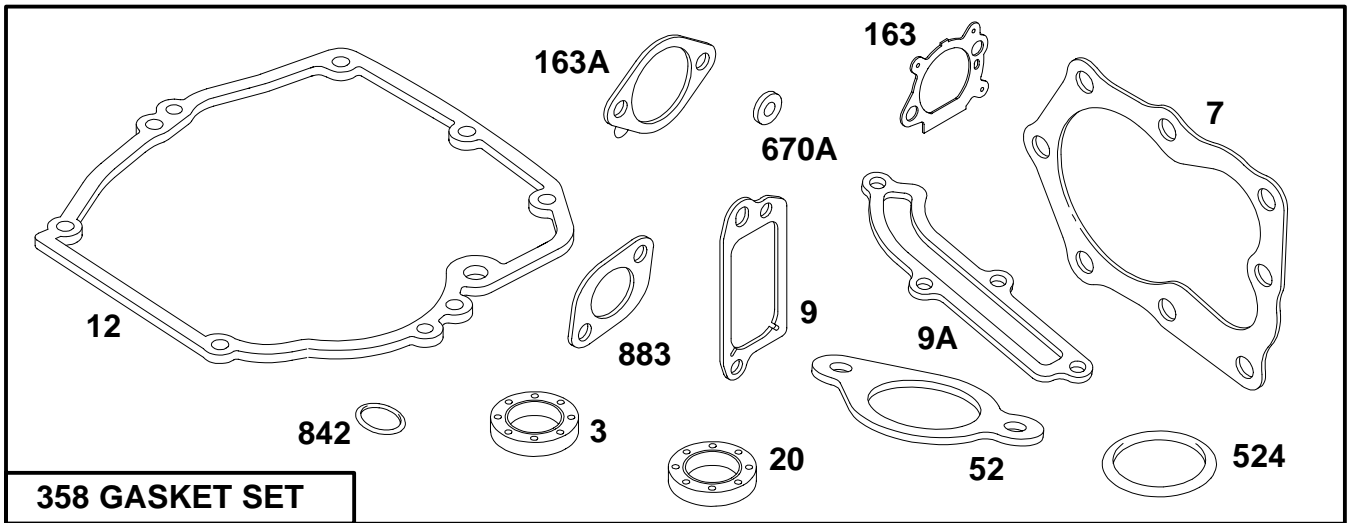
# 124800 to 124899



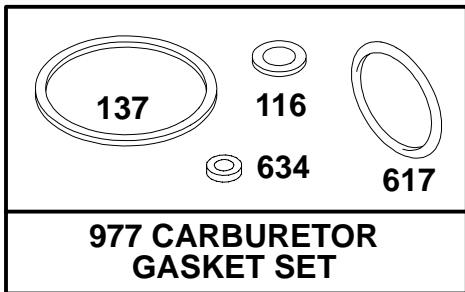
REF. NO.	PART NO.	DESCRIPTION	REF. NO.	PART NO.	DESCRIPTION	REF. NO.	PART NO.	DESCRIPTION
81	223664	Lock-Muffler Screw	356A	496381	Wire-Stop (Used After Code Date 93100300).	676D	493871	Deflector-Muffler
258	94512	Screw-Hex. Head				789	493379	Harness-Wiring Used on Engines without Band Brake.
300	490547	Muffler-Exhaust				789A	493380	Harness-Wiring Used on Engines with Band Brake.
300A	494343	Muffler-Exhaust (Square Lo-Tone)			<b>Note</b>			
305A	94510	Stud-Alternator Mtg.			398153 Wire-Stop (Used Before Code Date 93100400).			
333	802574	Armature-Magneto	474	492841	Alternator			
334	93381	Screw-Sem	613	94231	Screw-Muffler Mtg.			
346	94602	Screw-Hex. Hd.	613A	94615	Screw-Muffler Mtg.			
346A	93705	Screw-Hex. Hd.	676	396548	Deflector-Muffler			
356	398808	Wire-Stop	676A	393756	Deflector-Muffler			
		<b>Note</b>	676B	397931	Deflector-Muffler			
		494714 Wire-Stop Used on Type No(s). 3433, 3435, 3242.	676C	393760	Deflector-Muffler			
						832	494224	Guard-Muffler
						851	221798	Terminal-Cable
						883	★272253	Gasket-Exhaust

- ★ Included in Gasket Set-See Ref. 358.
- Included in Carburetor Kit-Part No. 493762.
- ◆ Included in Carburetor Gasket Set-Part No. 490937.

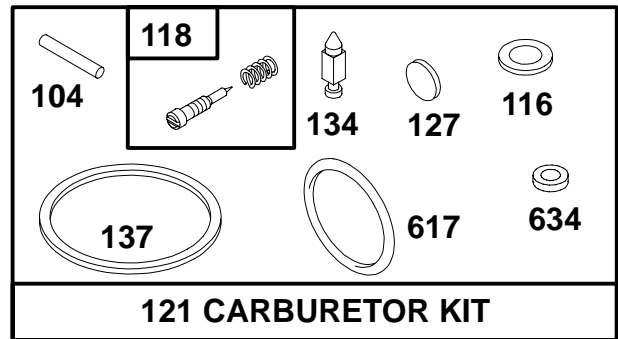
**124800 to 124899**



**358 GASKET SET**



**977 CARBURETOR GASKET SET**

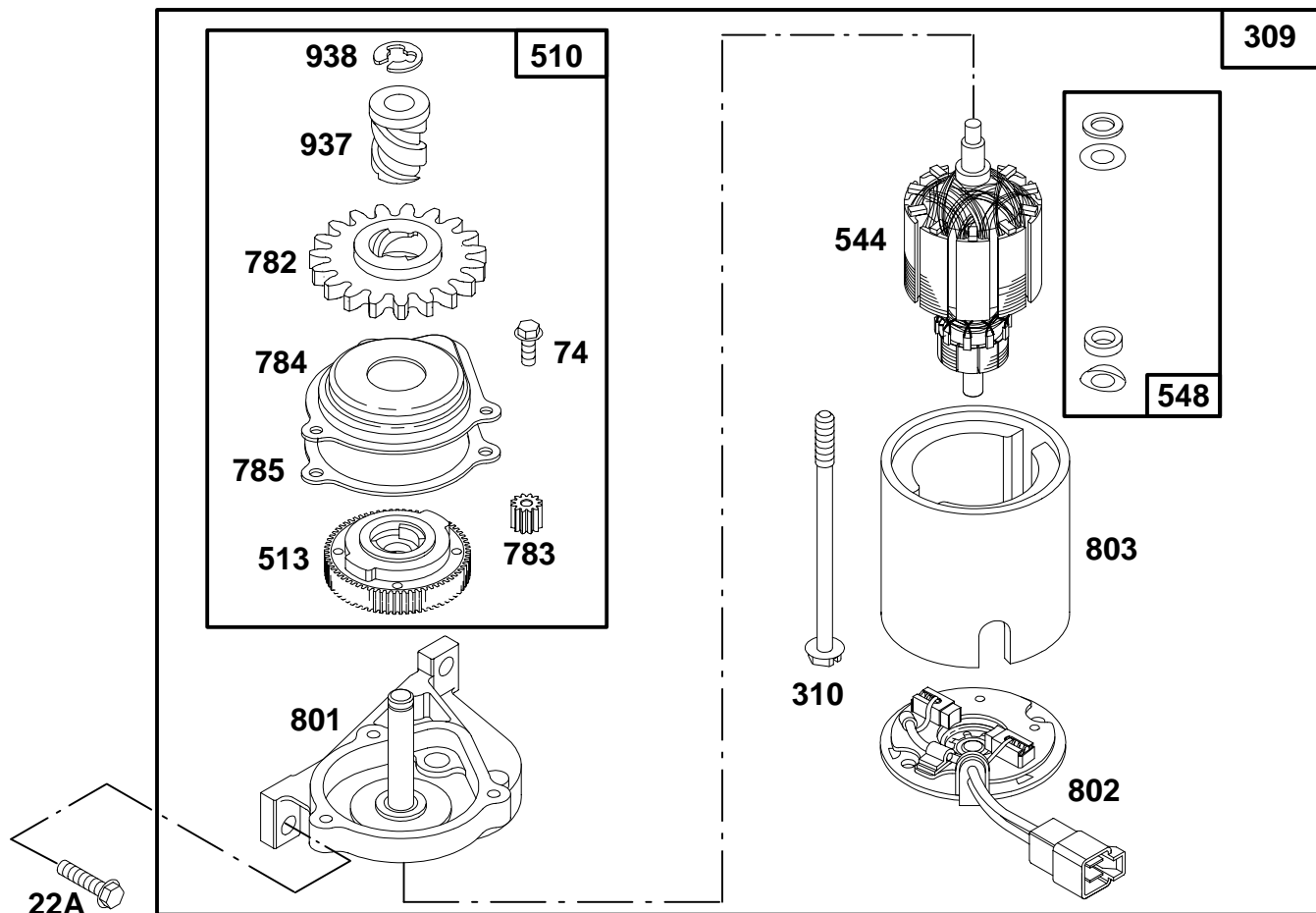


**121 CARBURETOR KIT**

REF. NO.	PART NO.	DESCRIPTION	REF. NO.	PART NO.	DESCRIPTION	REF. NO.	PART NO.	DESCRIPTION
3	★299819	Seal-Oil	127	●	Plug-Welch (Sold in Kit Only)	524	★280393	Seal-Fill Tube
7	★272200	Gasket-Cylinder Hd.	134	●398188	Valve-Needle (Includes Seat)	617	●●270344	Seal-Fuel Intake Tube
9	★272481	Gasket-Breather	137	●◆	Gasket-Float Bowl (Sold in Kit Only)	634	●◆	Washer-Shaft (Sold in Kit Only)
9A	★272238	Gasket-Breather	163	★272653	Gasket-Air Cleaner	670A	★493823	Spacer (Includes 2)
12	★272198	Gasket-Crankcase	163A	★272296	Gasket-Air Cleaner	842	★280966	Seal-Cap
20	★399781	Seal-Oil	358	496117	Gasket Set (Used After Code Date 93080100).	883	★272253	Gasket-Exhaust
52	★272199	Gasket-Intake Elbow			<b>Note</b> _____	977	490937	Gasket Set-Carburetor
104	●231371	Pin-Float Hinge			493263 Gasket Set (Used Before Code Date 93080200).			
116	●◆	Gasket-Sealing (Sold in Kit Only)						
118	●493765	Valve Kit-Needle						
121	493762	Carburetor Kit						

- ★ Included in Gasket Set-See Ref. 358.
- Included in Carburetor Kit-Part No. 493762.
- ◆ Included in Carburetor Gasket Set-Part No. 490937.

# 124800 to 124899



REF. NO.	PART NO.	DESCRIPTION	REF. NO.	PART NO.	DESCRIPTION	REF. NO.	PART NO.	DESCRIPTION
22A	94268	Screw-Hex. Head	544	492921	Armature-Starter	801	492335	Cap-Drive
74	93490	Screw-Sem.	548	492919	Washer Set	802	492922	Cap-End
309	494233	Motor-Starter	782	281127	Gear-Starter	803	492920	Housing-Starter
310	94051	Bolt-Thru	783	261606	Gear-Starter	937	281125	Spline-Starter
510	494147	Drive-Starter	784	224262	Cover-Gear	938	93941	Retainer-Lock
513	394815	Clutch-Drive	785	272201	Gasket-Cover			

- ★ Included in Gasket Set-See Ref. 358.
- Included in Carburetor Kit-Part No. 493762.
- ◆ Included in Carburetor Gasket Set-Part No. 490937.

**124800 to 124899**

REF. NO.	PART NO.	DESCRIPTION	REF. NO.	PART NO.	DESCRIPTION	REF. NO.	PART NO.	DESCRIPTION	
16	493282	Crankshaft <b>Note</b> For Timing Gear Key— Order Part No. <b>94388.</b> <b>493362</b> Crankshaft Used on Type No(s). 0210, 0212, 0213, 0215, 0227, 0228, 0236, 0238, 0245, 0261, 0265, 0268, 0283, 0415, 0416, 0417, 0424, 0426, 0427, 0431, 0470, 0472, 0514, 0515, 0516, 0551, 0552, 0610, 3126, 3130, 3212, 3213, 3215, 3216, 3219, 3223, 3224, 3225, 3228, 3231, 3234, 3241, 3412, 3421, 3422, 3424, 3426, 3427, 3429, 3436, 3439. <b>493363</b> Crankshaft Used on Type No(s). 0216, 0221, 0224, 0229, 0230, 0231, 0232, 0242, 0266, 0270, 0280, 0281, 0282, 0410, 0413, 0419, 0421, 0429, 0430, 0466, 0469, 0471, 0512, 0513, 0517, 0518, 0550, 0882, 3218, 3230, 3240, 3245, 3246, 3423. <b>493433</b> Crankshaft Used on Type No(s). 3110, 3111, 3115, 3117, 3124, 3209, 3214, 3220, 3425.							
			209	262666	Spring—Governor <b>Note</b> <b>262657</b> Spring—Gov. Used on Type No(s). 0210, 0245, 0513, 3210, 3211, 3222, 3227, 3240, 3432, 3433, 3434, 3435. <b>262658</b> Spring—Gov. Used on Type No(s). 3411, 3412, 3414. <b>262659</b> Spring—Gov. Used on Type No(s). 0508, 0512, 0516, 0517, 0518, 0610, 3100, 3110, 3111, 3115, 3117, 3126, 3130, 3131, 3201, 3208, 3209, 3214, 3219, 3220, 3223, 3226, 3231, 3241, 3246, 3401, 3408, 3425, 3436.				
								262660 Spring—Gov. Used on Type No(s). 0236, 0238, 0242, 3212, 3213, 3218, 3228, 3230, 3234, 3245, 3421, 3422, 3423, 3424, 3426, 3427, 3429, 3439. <b>262661</b> Spring—Gov. Used on Type No(s). 0511, 3415. <b>262662</b> Spring—Gov. Used on Type No(s). 3224, 3242. <b>262664</b> Spring—Gov. Used on Type No(s). 0226, 0284, 0427, 0428, 0560. <b>262665</b> Spring—Gov. Used on Type No(s). 0426. <b>262667</b> Spring—Gov. Used on Type No(s). 0413, 3431. <b>262678</b> Spring—Gov. Used on Type No(s). 0410, 0417, 0420, 0429, 3124, 3217, 3416.	

- ★ Included in Gasket Set—See Ref. 358.
- Included in Carburetor Kit—Part No. 493762.
- ◆ Included in Carburetor Gasket Set—Part No. 490937.

