



**122600**

# Illustrated Parts List

## Model Series

# 122600

TYPE NUMBERS  
0020 through 0468.

### TABLE OF CONTENTS

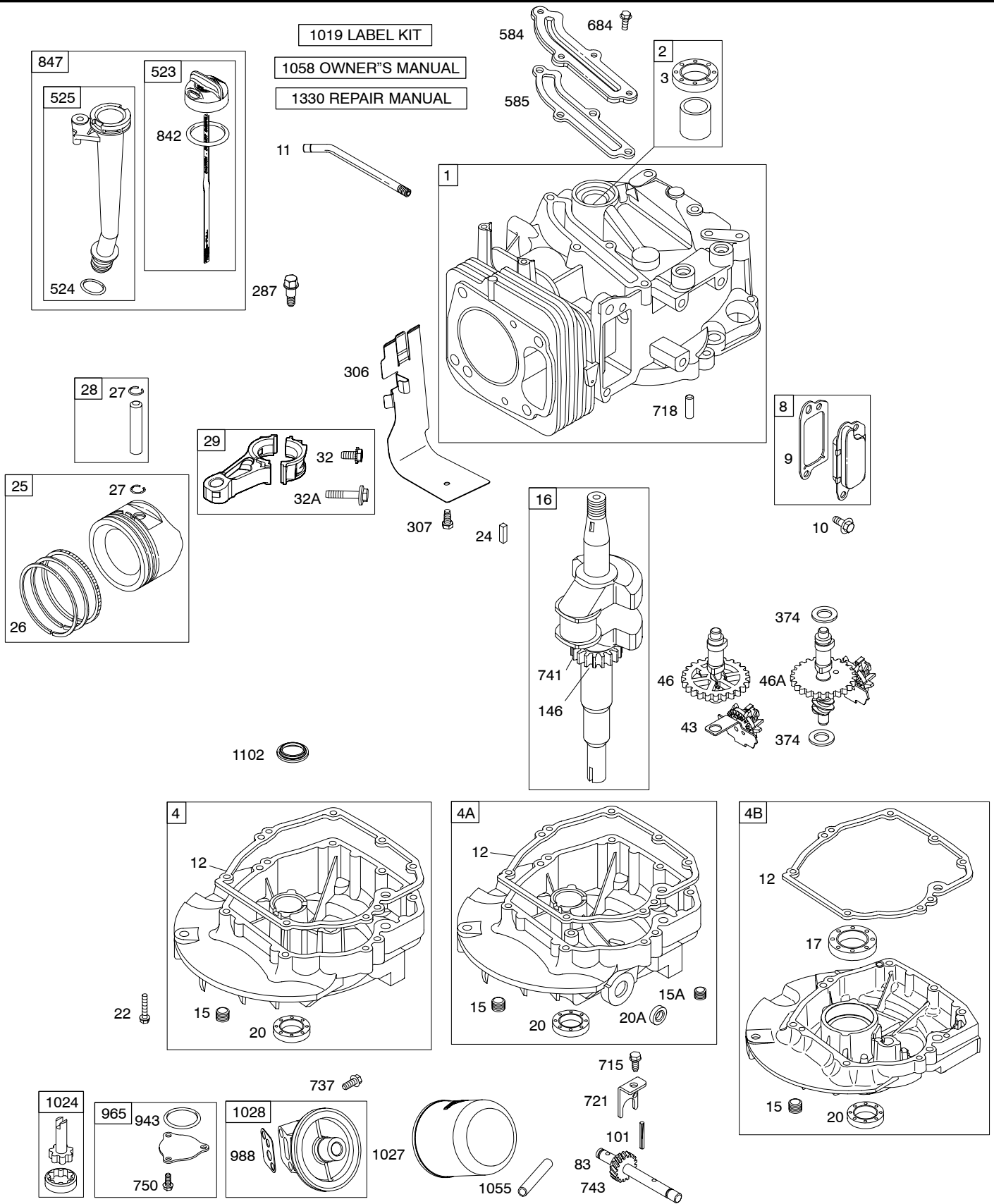
Air Cleaner .....	6
Blower Housing/Shrouds .....	7
Camshaft .....	2
Carburetor .....	4
Controls .....	5
Crankshaft .....	2
Cylinder .....	2
Cylinder Head .....	3
Electric Starter .....	7
Engine Sump .....	2
Exhaust System .....	6
Flywheel .....	7
Flywheel Brake .....	5
Fuel Supply .....	4
Governor Spring .....	5
Ignition .....	5
Kits/Gaskets Sets .....	8
Lubrication .....	2
Piston Group .....	2
Rewind Starter .....	7



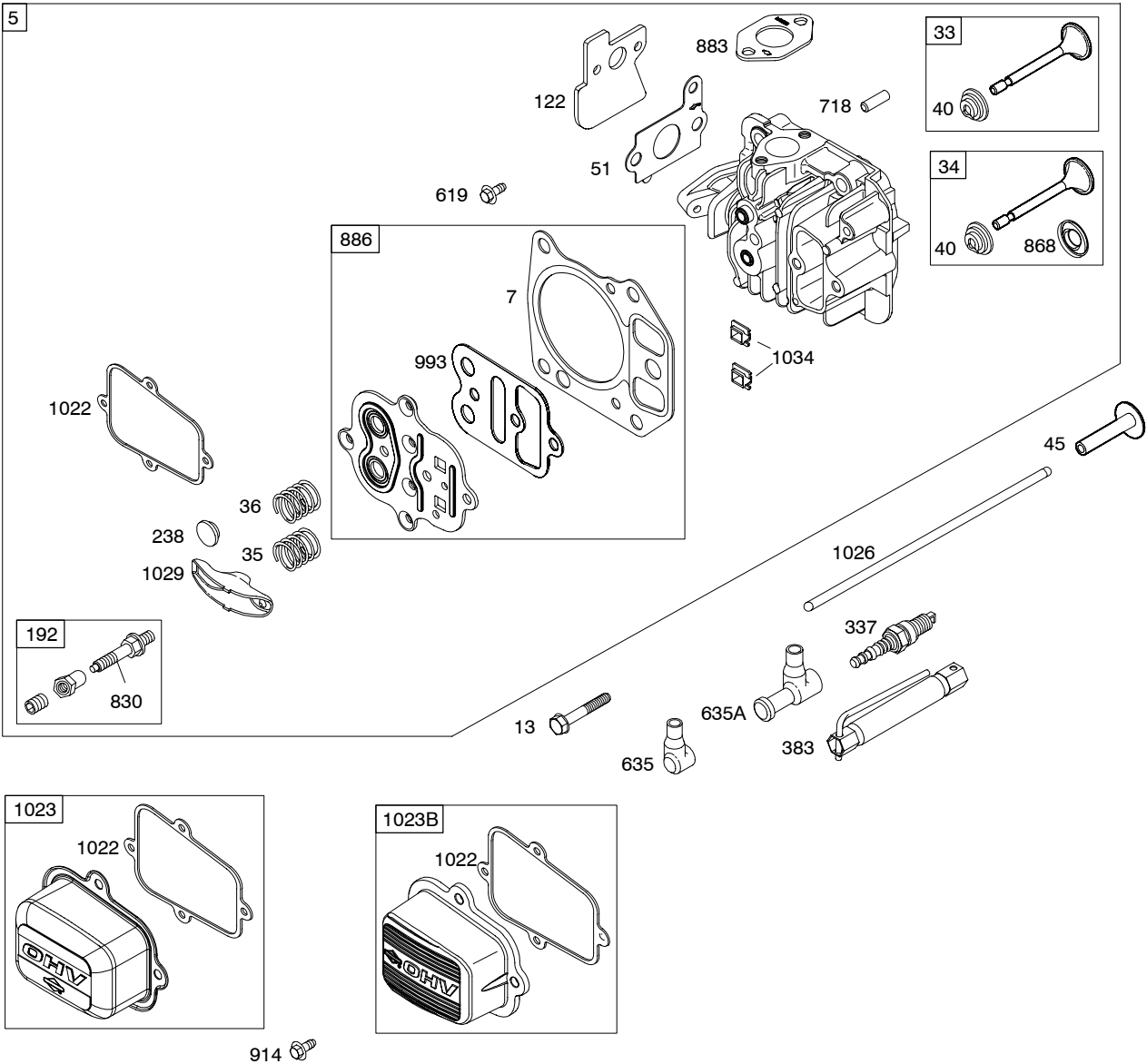
PRINTED IN U.S.A.

COPYRIGHT by BRIGGS & STRATTON CORPORATION  
All rights reserved. No part of this material may be reproduced or transmitted, in any form or by any means, electronic or mechanical, including photocopying, recording or by any information storage and retrieval system, without permission in writing from Briggs & Stratton Corporation.

# 122600

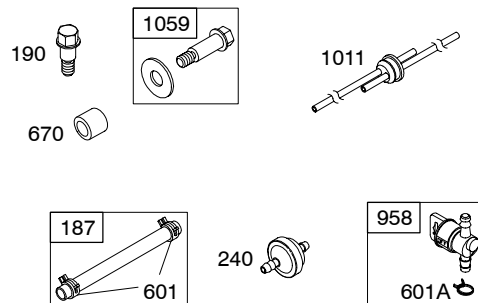
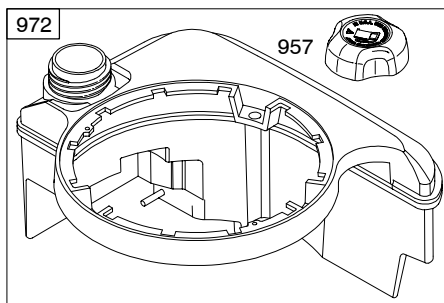
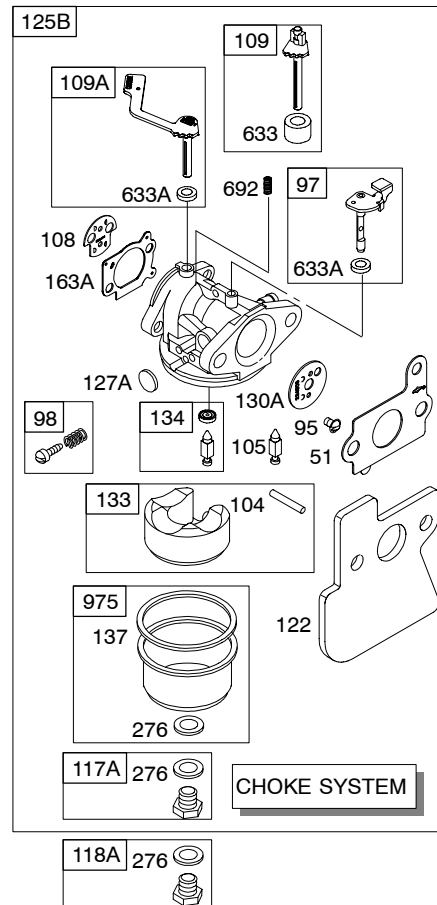
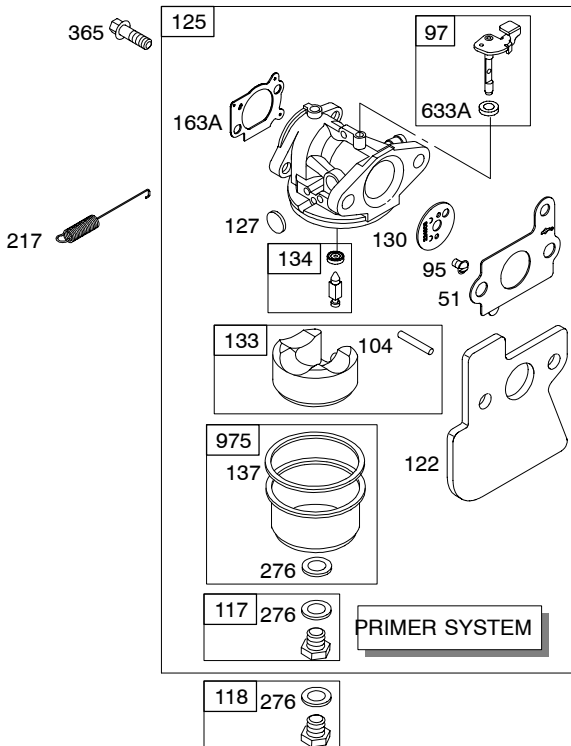


Illustrations cover a range of engines. Parts shown without corresponding text may not be used on your specific engine.  
 0998-2 Assemblies include all parts shown in frames. 10/11/2005

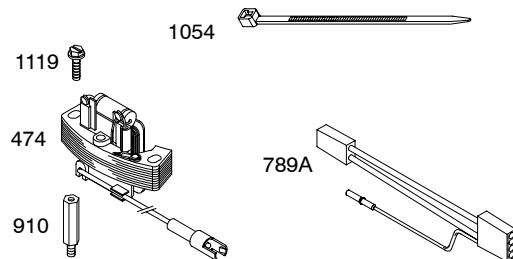
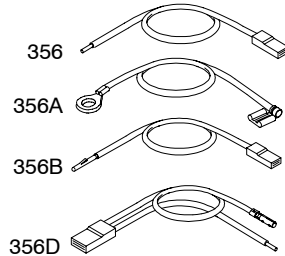
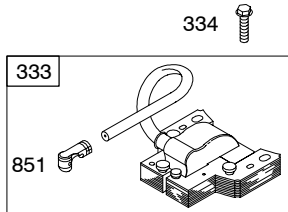
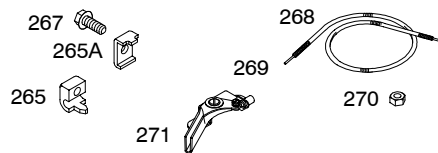
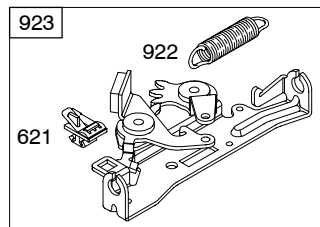
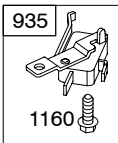
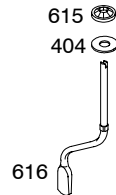
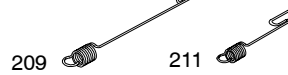
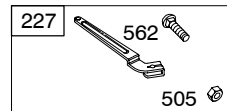
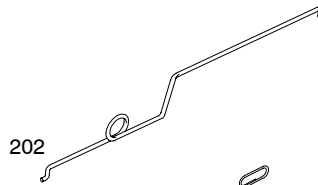
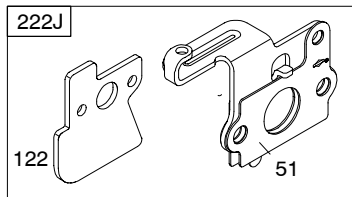
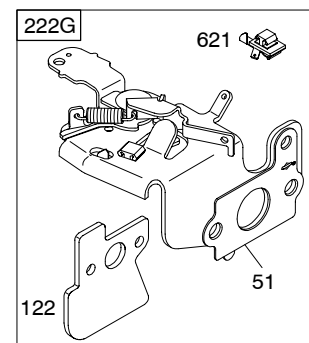
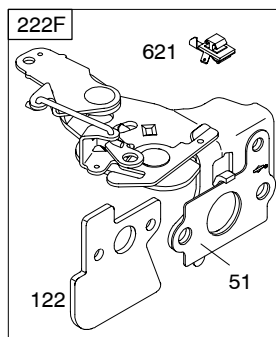
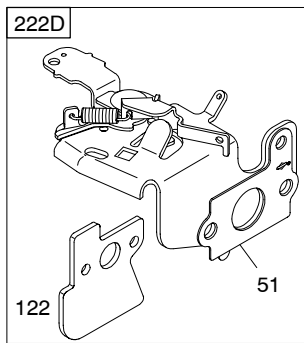
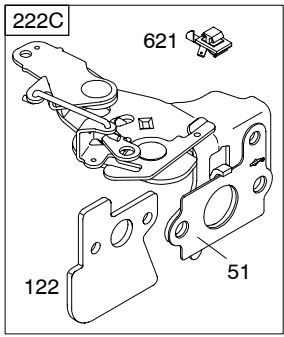


Illustrations cover a range of engines. Parts shown without corresponding text may not be used on your specific engine.  
 0998-3 Assemblies include all parts shown in frames. 10/11/2005

# 122600

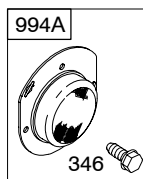
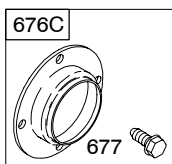
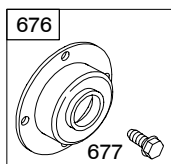
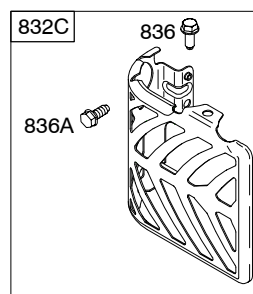
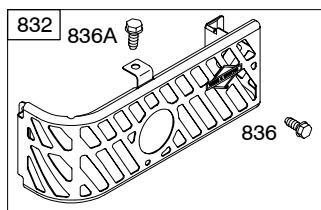
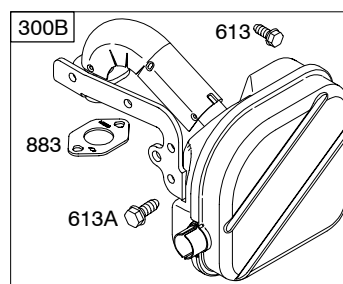
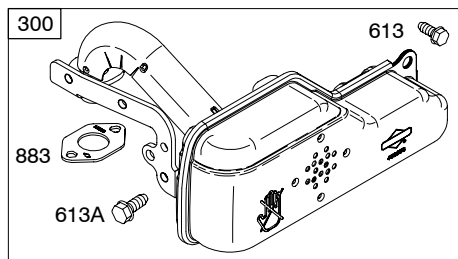
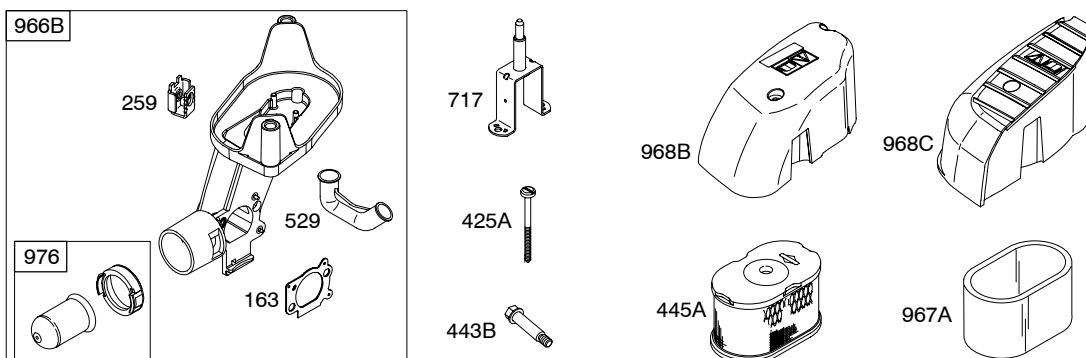


Illustrations cover a range of engines. Parts shown without corresponding text may not be used on your specific engine.  
 0998-4 Assemblies include all parts shown in frames. 10/11/2005



Illustrations cover a range of engines. Parts shown without corresponding text may not be used on your specific engine.  
 0998-5 Assemblies include all parts shown in frames. 10/11/2005

# 122600

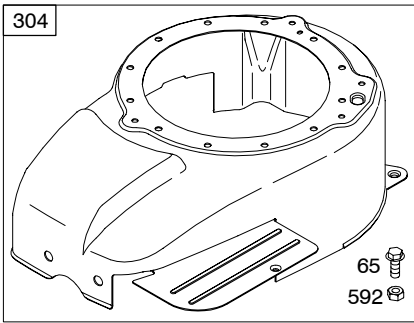
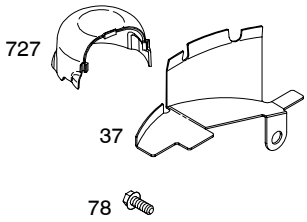
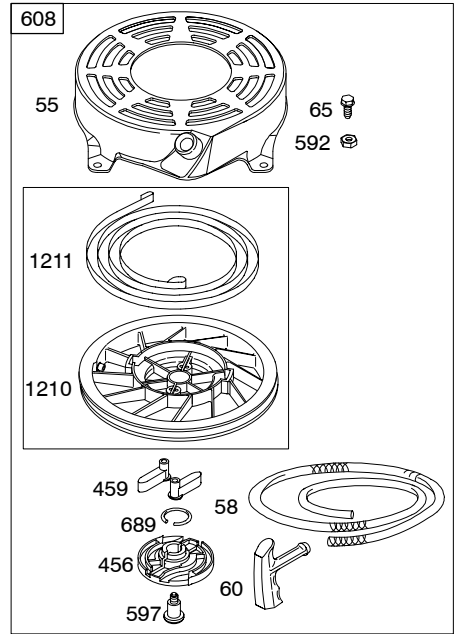
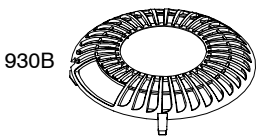
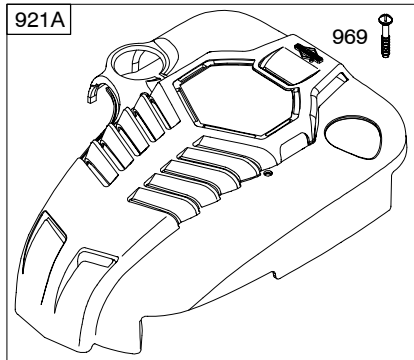
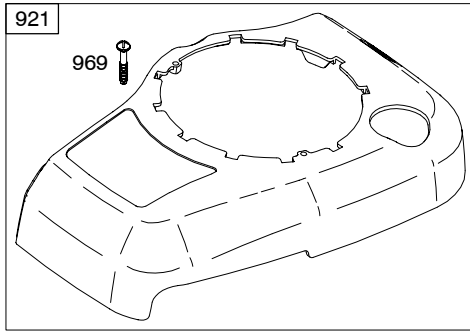


Illustrations cover a range of engines. Parts shown without corresponding text may not be used on your specific engine.

0998-6

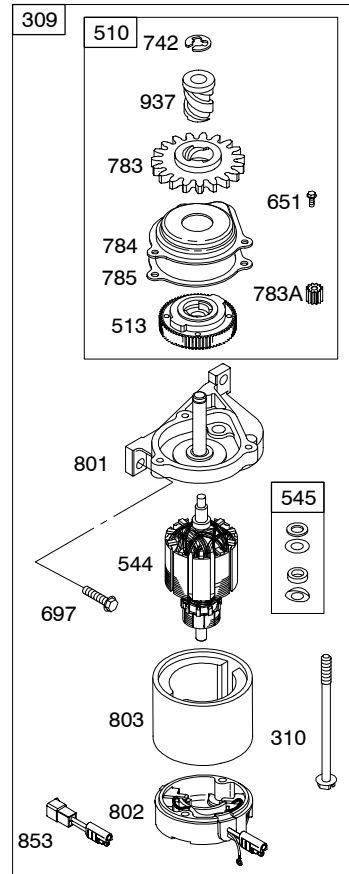
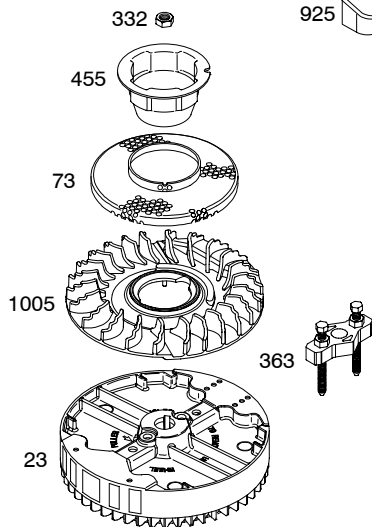
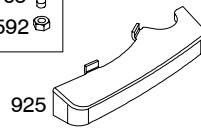
Assemblies include all parts shown in frames.

10/11/2005



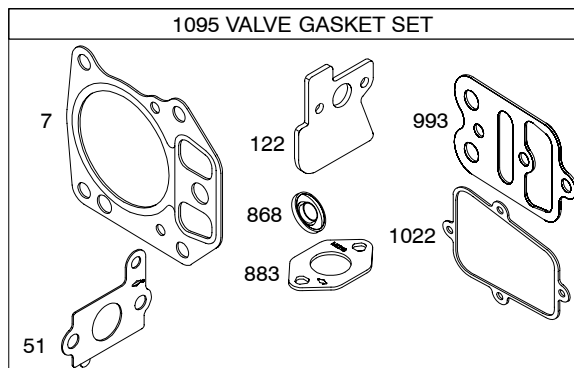
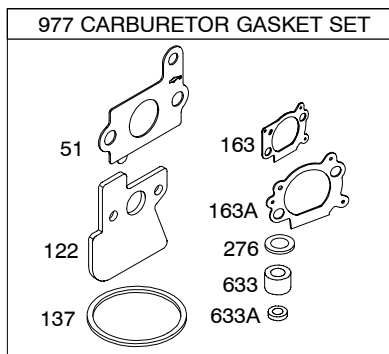
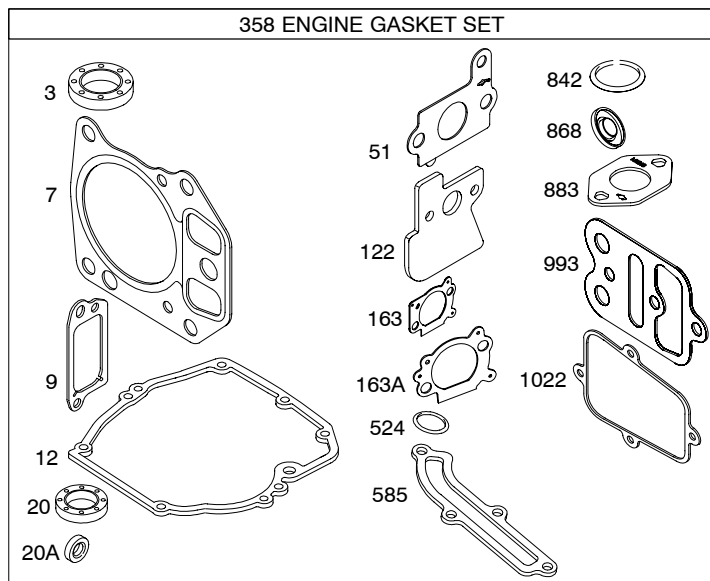
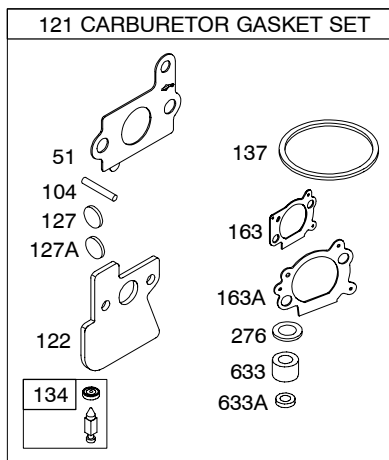
1036 Emission Label

305



Illustrations cover a range of engines. Parts shown without corresponding text may not be used on your specific engine.  
 0998-7 Assemblies include all parts shown in frames. 10/11/2005

# 122600



*Illustrations cover a range of engines. Parts shown without corresponding text may not be used on your specific engine.*



REF. NO.	PART NO.	DESCRIPTION	REF. NO.	PART NO.	DESCRIPTION	REF. NO.	PART NO.	DESCRIPTION
1	790363	Cylinder Assembly (Used After Code Date 04040400). ----- <b>Note</b> ----- <b>499678</b> Cylinder-Assembly (Used Before Code Date 04040500). <b>790363</b> Cylinder-Assembly (Used After Code Date 04040400). Used on Type No(s). 0135, 0213. <b>697639</b> Cylinder-Assembly (Used Before Code Date 04040500). Used on Type No(s). 0213.	13	691137	Screw (Cylinder Head)	22	691092	Screw (Crankcase Cover/Sump)
2	399269	Kit-Bushing/Seal (Magneto Side)	15	691680	Plug-Oil Drain (Square Socket)	23	692452	Flywheel ----- <b>Note</b> ----- <b>692693</b> Flywheel Used on Type No(s). 0107, 0121, 0124, 0132, 0134, 0138, 0142, 0149, 0151, 0154, 0156, 0159, 0161, 0174, 0176, 0180, 0181, 0182, 0184, 0189, 0204, 0210, 0214. <b>697637</b> Flywheel Used on Type No(s). 0135, 0213. <b>699488</b> Flywheel Used on Type No(s). 0133, 0190, 0194, 0205, 0206, 0215, 0217.
3	*299819	Seal-Oil (Magneto Side)	15A	691093	Plug-Oil Drain (Hex Socket)	24	222698	Key-Flywheel
4	493279	Sump-Engine Used on Type No(s). 0111, 0124, 0132, 0133, 0150, 0167, 0172, 0176, 0190, 0193, 0194, 0195, 0203, 0216, 0468. ----- <b>Note</b> ----- <b>498983</b> Sump-Engine Used on Type No(s). 0121.	16	691457	Crankshaft ----- <b>Note</b> ----- <b>691456</b> Crankshaft Used on Type No(s). 0130, 0131, 0145, 0163, 0165, 0166, 0167, 0172, 0186, 0193, 0195, 0213, 0214, 0468. <b>692716</b> Crankshaft Used on Type No(s). 0132, 0133, 0174. <b>692823</b> Crankshaft Used on Type No(s). 0124. <b>693291</b> Crankshaft Used on Type No(s). 0139, 0143, 0151, 0156, 0180, 0184, 0189, 0205, 0217, 0218. <b>694153</b> Crankshaft Used on Type No(s). 0150. <b>695860</b> Crankshaft Used on Type No(s). 0176, 0181, 0190, 0210, 0215. <b>695950</b> Crankshaft Used on Type No(s). 0111, 0116, 0118, 0120, 0192. <b>694491</b> Crankshaft Used on Type No(s). 0134. <b>790156</b> Crankshaft Used on Type No(s). 0194, 0216.	25	792004	Piston Assembly (Standard) (Used After Code Date 05030700). ----- <b>Note</b> ----- <b>499627</b> Piston Assembly (Standard) (Used Before Code Date 05030800). <b>692788</b> Piston Assembly (.010" Oversize) <b>791325</b> Piston Assembly (.020" Oversize) (Used After Code Date 05030700). <b>692789</b> Piston Assembly (.020" Oversize) (Used Before Code Date 05030800). <b>692790</b> Piston Assembly (.030" Oversize)
4A	493365	Sump-Engine (Auxiliary PTO)	17	692517	Bearing-Ball			
4B	692509	Sump-Engine ----- <b>Note</b> ----- <b>694298</b> Sump-Engine Used on Type No(s). 0139, 0206.	20	*399781	Seal-Oil (PTO Side)			
5	695276	Head-Cylinder	20A	*691952	Seal-Oil (PTO Side) (Auxiliary PTO)			
7	*Δ695166	Gasket-Cylinder Head						
8	495786	Breather Assembly						
9	*272481	Gasket-Breather						
10	691125	Screw (Breather Assembly)						
11	499675	Tube-Breather						
12	*692232	Gasket-Crankcase						

★ Included in Engine Gasket Set-Ref. No.358.

● Included in Carburetor Overhaul Kit-Ref. No. 121.

◆ Included in Carburetor Gasket Set-Ref. No. 977.

Δ Included in Valve Gasket Set-Ref. No 1095.

*Illustrations cover a range of engines. Parts shown without corresponding text may not be used on your specific engine.*

# 122600

REF. NO.	PART NO.	DESCRIPTION	REF. NO.	PART NO.	DESCRIPTION	REF. NO.	PART NO.	DESCRIPTION			
26	791969	Ring Set (Standard) (Used After Code Date 05030700). ----- <b>Note</b> ----- 499631 Ring Set (Standard) (Used Before Code Date 05030800). 692785 Ring Set (.010" Oversize) 791324 Ring Set (.020" Oversize) (Used After Code Date 05030700). 692786 Ring Set (.020" Oversize) (Used Before Code Date 05030800). 692787 Ring Set (.030" Oversize)	45	690977	Tappet-Valve	97	499682	Shaft-Throttle (Metal) ----- <b>Note</b> ----- 790121 Shaft-Throttle (Plastic)			
			46	694040	Camshaft (Used After Code Date 99030700). ----- <b>Note</b> ----- 694036 Camshaft (Used Before Code Date 99030800). 694039 Camshaft (Used After Code Date 99030700). Used on Type No(s). 0124, 0139, 0150, 0167, 0172, 0176, 0190, 0203, 0206. 694035 Camshaft (Used Before Code Date 99030800). Used on Type No(s). 0139, 0150.				98	398185	Kit-Idle Speed
									101	691623	Pin-Shaft
									104	691242	Pin-Float Hinge
									105	691782	Valve-Float Needle Used on Type No(s). 0213.
									108	691182	Valve-Choke
									109	499779	Shaft-Choke
									109A	499681	Shaft-Choke
									117	498981	Jet-Main (Standard) (Used After Code Date 03110600). ----- <b>Note</b> ----- 498978 Jet-Main (Standard) (Used After Code Date 99030700 and Before Code Date 03110700). 494870 Jet-Main (Standard) (Used Before Code Date 99020800).
27	691866	Lock-Piston Pin	46A	694037	Camshaft Used on Type No(s). 0163, 0216.	117A	694250	Jet-Main (Standard) (Used After Code Date 02050500). ----- <b>Note</b> ----- 498978 Jet-Main (Standard) (Used Before Code Date 02050600). 697355 Jet-Main (Standard) Used on Type No(s). 0213.			
28	499423	Pin-Piston									
29	499424	Rod-Connecting									
32	691664	Screw (Connecting Rod)	51	692668	Gasket-Intake						
32A	695759	Screw (Connecting Rod) (Used After Code Date 00042200).	55	691421	Housing-Rewind Starter						
			58	697316	Rope-Starter (Cut To Required Length) ----- <b>Note</b> ----- 791362 Rope-Starter Used on Type No(s). 0192.						
33	499642	Valve-Exhaust	60	281434	Grip-Starter Rope						
34	499641	Valve-Intake	65	690837	Screw (Rewind Starter)						
35	691304	Spring-Valve (Intake)	73	691222	Screen-Rotating						
36	691304	Spring-Valve (Exhaust)	78	691108	Screw (Flywheel Guard)						
37	694086	Guard-Flywheel	83	690522	Gear-Drive						
40	692194	Retainer-Valve	95	691636	Screw (Throttle Valve)						
43	692505	Slinger-Governor/Oil ----- <b>Note</b> ----- 691997 Slinger-Governor/Oil Used on Type No(s). 0124, 0150, 0167, 0172, 0176, 0190.									

★ Included in Engine Gasket Set-Ref. No.358.

● Included in Carburetor Overhaul Kit-Ref. No. 121.

◆ Included in Carburetor Gasket Set-Ref. No. 977.

△ Included in Valve Gasket Set-Ref. No 1095.

*Illustrations cover a range of engines. Parts shown without corresponding text may not be used on your specific engine.*

REF. NO.	PART NO.	DESCRIPTION	REF. NO.	PART NO.	DESCRIPTION	REF. NO.	PART NO.	DESCRIPTION
118	497466	Jet–Main (High Altitude) (Used After Code Date 03110600). ----- <b>Note</b> ----- 498975 Jet–Main (High Altitude) (Used After Code Date 99030700 and Before Code Date 03110700). 497315 Jet–Main (High Altitude) (Used Before Code Date 99020800).	125	790120	Carburetor (Primer System)	133	398187	Float–Carburetor
118A	497466	Jet–Main (High Altitude) (Used After Code Date 02050500). ----- <b>Note</b> ----- 498975 Jet–Main (High Altitude) (Used Before Code Date 02050600). 494870 Jet–Main (High Altitude) Used on Type No(s). 0213.	125B	698056	Carburetor (Choke System) (Used After Code Date 02051200). ----- <b>Note</b> ----- 694205 Carburetor (Choke System) (Used Before Code Date 02051300). 698055 Carburetor (Choke System) (Used After Code Date 02050500). Used on Type No(s). 0121, 0124. 694203 Carburetor (Choke System) (Used Before Code Date 02050600). Used on Type No(s). 0121, 0124. 697914 Carburetor (Choke System) Used on Type No(s). 0176. 790603 Carburetor (Choke System) Used on Type No(s). 0213.	134	●398188	Kit–Needle/Seat
121	692703	Kit–Carburetor Overhaul	127	●694468	Plug–Welch	137	●●693981	Gasket–Float Bowl
122	◆●●692799	Spacer–Carburetor	127A	●691739	Plug–Welch	146	690979	Key–Timing
			130	691203	Valve–Throttle ----- <b>Note</b> ----- 696564 Valve–Throttle (Used With Plastic Throttle Shaft)	163	★◆691894	Gasket–Air Cleaner
			130A	691181	Valve–Throttle ----- <b>Note</b> ----- 691203 Valve–Throttle Used on Type No(s). 0121,0124, 0142, 0213.	163A	★◆692667	Gasket–Air Cleaner
						187	791766	Line–Fuel (Cut to Required Length) (Used After Code Date 05063000). ----- <b>Note</b> ----- 691050 Line–Fuel (Cut to Required Length) (Used Before Code Date 05070100).
						188	693168	Screw (Control Bracket)
						190	690940	Screw (Fuel Tank)
						192	694543	Adjuster–Rocker Arm
						202	691303	Link–Mechanical Governor

★ Included in Engine Gasket Set–Ref. No.358.

● Included in Carburetor Overhaul Kit–Ref. No. 121.

◆ Included in Carburetor Gasket Set–Ref. No. 977.

△ Included in Valve Gasket Set–Ref. No 1095.

*Illustrations cover a range of engines. Parts shown without corresponding text may not be used on your specific engine.*

# 122600

REF. NO.	PART NO.	DESCRIPTION	REF. NO.	PART NO.	DESCRIPTION	REF. NO.	PART NO.	DESCRIPTION
<b>209</b>	<b>691851</b>	Spring-Governor ----- <b>Note</b> ----- <b>263039</b> Spring-Governor Used on Type No(s). 0163, 0166, 0167, 0172. <b>690319</b> Spring-Governor Used on Type No(s). 0111, 0118, 0134, 0139, 0143, 0149, 0150, 0155, 0159, 0178, 0184, 0190, 0192, 0206, 0215, 0216. <b>691290</b> Spring-Governor Used on Type No(s). 0124. <b>692906</b> Spring-Governor Used on Type No(s). 0107, 0110, 0130, 0131, 0132, 0133, 0135, 0148, 0151, 0154, 0176, 0180, 0181, 0182, 0194, 0218. <b>691291</b> Spring-Governor Used on Type No(s). 0128, 0145, 0175, 0186, 0193, 0195, 0213. <b>693031</b> Spring-Governor Used on Type No(s). 0156, 0189, 0214. <b>691292</b> Spring-Governor Used on Type No(s). 0211, 0468. <b>692433</b> Spring-Governor Used on Type No(s). 0217. <b>791156</b> Spring-Governor Used on Type No(s). 0116, 0120.	<b>211</b>	<b>692434</b>	Spring-Governed Idle	<b>270</b>	<b>691027</b>	Nut (Control Wire Casing)
			<b>217</b>	<b>690354</b>	Spring-Choke Return	<b>271</b>	<b>691028</b>	Lever-Control
			<b>222C</b>	<b>692617</b>	Bracket-Control	<b>276</b>	<b>271716</b>	Washer-Sealing
			<b>222D</b>	<b>692722</b>	Bracket-Control Used on Type No(s). 0130, 0132, 0176, 0210, 0218.	<b>287</b>	<b>690940</b>	Screw (Dipstick Tube)
			<b>222F</b>	<b>692615</b>	Bracket-Control Used on Type No(s). 0107, 0110, 0133, 0134, 0135, 0154, 0156, 0161, 0180, 0181, 0182, 0189, 0194, 0214, 0217.	<b>300</b>	<b>694248</b>	Muffler (Used After Code Date 99030700). ----- <b>Note</b> ----- <b>692276</b> Muffler (Used Before Code Date 99030800). <b>692275</b> Muffler (Used Before Code Date 99030800). Used on Type No(s). 0149.
			<b>222G</b>	<b>692618</b>	Bracket-Control Used on Type No(s). 0020, 0121, 0124, 0138, 0142, 0145, 0149, 0151, 0159, 0163, 0166, 0174, 0184, 0190, 0204, 0205, 0206, 0215.	<b>300B</b>	<b>699769</b>	Muffler-Exhaust
			<b>222J</b>	<b>697614</b>	Bracket-Control Used on Type No(s). 0111, 0116, 0118, 0120, 0128, 0150, 0168, 0170, 0175, 0192, 0203, 0213.	<b>304</b>	<b>499677</b>	Housing-Blower ----- <b>Note</b> ----- <b>499676</b> Housing-Blower Used on Type No(s). 0107, 0124, 0132, 0133, 0134, 0135, 0142, 0145, 0149, 0151, 0154, 0156, 0161, 0163, 0166, 0180, 0181, 0182, 0184, 0186, 0189, 0190, 0194, 0204, 0205, 0206, 0210, 0214, 0215, 0217. <b>695976</b> Housing-Blower Used on Type No(s). 0128, 0175, 0203, 0468.
			<b>227</b>	<b>691467</b>	Lever-Governor Control			
			<b>236</b>	<b>691826</b>	Link-Lockout			
			<b>238</b>	<b>691300</b>	Cap-Valve			
			<b>240</b>	<b>298090</b>	Filter-Fuel			
			<b>259</b>	<b>691189</b>	Bracket-Casing Clamp			
			<b>265</b>	<b>690798</b>	Clamp-Casing			
			<b>265A</b>	<b>691024</b>	Clamp-Casing			
			<b>267</b>	<b>691044</b>	Screw (Casing Clamp)			
			<b>268</b>	<b>691072</b>	Casing-Control Wire (Cut To Required Length)			
			<b>269</b>	<b>691026</b>	Wire-Control (Cut To Required Length)			

★ Included in Engine Gasket Set-Ref. No.358.

● Included in Carburetor Overhaul Kit-Ref. No. 121.

◆ Included in Carburetor Gasket Set-Ref. No. 977.

△ Included in Valve Gasket Set-Ref. No 1095.

*Illustrations cover a range of engines. Parts shown without corresponding text may not be used on your specific engine.*

REF. NO.	PART NO.	DESCRIPTION	REF. NO.	PART NO.	DESCRIPTION	REF. NO.	PART NO.	DESCRIPTION
305	691108	Screw (Blower Housing)	474	691991	Alternator ----- <b>Note</b> -----	615	690340	Retainer-Governor Shaft
306	691232	Shield-Cylinder		695730	Alternator	616	698801	Crank-Governor
307	690345	Screw (Cylinder Shield)			Used on Type No(s). 0135, 0213.	619	691108	Screw (Cylinder Head Plate)
309	695550	Motor-Starter	505	691251	Nut (Governor Control Lever)	621	692310	Switch-Stop
310	692327	Bolt (Starter Motor)				633	◆691321	Seal-Choke/Throttle Shaft
332	690662	Nut (Flywheel)	510	494147	Drive-Starter	633A	◆693867	Seal-Choke/Throttle Shaft
333	802574	Armature-Magneto	513	692358	Clutch-Drive	635	66538	Boot-Spark Plug
334	691061	Screw (Magneto Armature)	523	499621	Dipstick	635A	692927	Boot-Spark Plug
337	692051	Plug-Spark (Resistor)	524	★692296	Seal-Dipstick Tube	651	691660	Screw (Starter Gear Cover)
		----- <b>Note</b> -----	525	495265	Tube-Dipstick	670	692294	Spacer-Fuel Tank
		692720 Plug-Spark (EMS)	529	692937	Grommet	676	397931	Deflector-Muffler
346	690661	Screw (Spark Arrestor)	544	690786	Armature-Starter	676C	497682	Deflector-Muffler
356	692390	Wire-Stop	545	492919	Washer Set (Starter Motor)	677	690661	Screw (Muffler Deflector)
356A	499690	Wire-Stop	562	691119	Bolt (Governor Control Lever)	684	690345	Screw (Breather Passage Cover)
356B	692151	Harness-Wiring	584	697734	Cover-Breather Passage	689	691855	Spring-Friction
356D	691418	Harness-Wiring	585	★691879	Gasket-Breather Passage	692	690572	Spring-Detent
358	694090	Gasket Set-Engine	592	690800	Nut (Rewind Starter)	697	691127	Screw (Drive Cap)
363	19069	Flywheel Puller	597	691696	Screw (Pawl Friction Plate)	715	691147	Screw (Stop Shaft)
365	691136	Screw (Carburetor)	601	95162	Clamp-Hose (Green)	717	693462	Bracket-Air Cleaner
374	691074	Washer (Camshaft)	601A	691038	Clamp-Hose (Black)	718	690959	Pin-Locating
383	19374	Wrench-Spark Plug	608	497680	Starter-Rewind ----- <b>Note</b> -----	721	690449	Shaft-Stop
404	690272	Washer (Governor Crank)			791363 Starter- Rewind Used on Type No(s). 0192.	727	692934	Cover-Starter Drive
425A	690244	Screw (Air Cleaner Cover)	613	691108	Screw (Exhaust Muffler)	737	692511	Screw (Oil Filter Adapter)
443B	690255	Screw (Air Cleaner Primer Base)	613A	691140	Screw (Exhaust Muffler)	741	790345	Gear-Timing (Use Without Woodruff Key)
445A	697029	Filter-Air Cleaner Cartridge						----- <b>Note</b> ----- 691830 Gear-Timing (Uses Woodruff Key)
455	695161	Cup-Flywheel						
456	692299	Plate-Pawl Friction						
459	281505	Pawl-Ratchet						

★ Included in Engine Gasket Set-Ref. No.358.

● Included in Carburetor Overhaul Kit-Ref. No. 121.

◆ Included in Carburetor Gasket Set-Ref. No. 977.

△ Included in Valve Gasket Set-Ref. No 1095.

*Illustrations cover a range of engines. Parts shown without corresponding text may not be used on your specific engine.*

# 122600

REF. NO.	PART NO.	DESCRIPTION	REF. NO.	PART NO.	DESCRIPTION	REF. NO.	PART NO.	DESCRIPTION
742	93941	Retainer-E Ring	830	694544	Stud-Rocker Arm	923	691994	Brake
743	691772	Gear-Drive	832	691466	Guard-Muffler (Used After Code Date 99030700).			----- <b>Note</b> -----
745	691648	Screw (Brake)						<b>695891</b> Brake
750	691683	Screw (Oil Pump Cover)						Used on Type No(s). 0128, 0153, 0175, 0186, 0203, 0468.
		----- <b>Note</b> -----						
		<b>691147</b> Screw (Oil Pump Cover)						<b>925 690595</b> Cover-Linkage
		Used on Type No(s). 0130, 0131, 0134, 0135, 0159, 0168, 0175.						<b>930B 692691</b> Guard-Rewind
783	691918	Gear-Pinion (19 Teeth) (Starter Drive)	832C	695593	Guard-Muffler Used on Type No(s). 0128, 0172, 0214, 0216.			<b>935 499421</b> Switch-Interlock
783A	691269	Gear-Pinion (12 Teeth)						<b>937 691325</b> Spline-Starter
784	692341	Cover-Gear	836	691147	Screw (Muffler Guard)			<b>943 692514</b> Seal-O Ring (Oil Pump Cover)
785	692352	Gasket-Starter Cover	836A	697551	Screw (Muffler Guard)			<b>957 692046</b> Cap-Fuel Tank (Plastic)
789A	696546	Harness-Wiring (Used After Code Date 00040600).	842	*691031	Seal-O Ring (Dipstick Tube)			<b>958 698183</b> Valve-Fuel Shut-Off (Plastic)
		----- <b>Note</b> -----	847	692047	Dipstick/Tube Assembly			<b>965 692507</b> Cover-Oil Pump
		<b>690790</b> Harness- Wiring (Used Before Code Date 00040700).	851	493880	Terminal-Spark Plug			<b>966B 690243</b> Base-Air Cleaner Primer
801	690782	Cap-Drive	853	695268	Adapter-Wire			<b>967A 273356</b> Filter-Pre Cleaner
802	695267	Cap-End (Used After Code Date 00040600).	868	*Δ692044	Seal-Valve			<b>968B 692435</b> Cover-Air Cleaner
		----- <b>Note</b> -----	883	*Δ691893	Gasket-Valve			<b>968C 692692</b> Cover-Air Cleaner
		<b>695975</b> Cap-End (Used Before Code Date 00040700).	886	696268	Gasket Kit-Cylinder Head/Plate			<b>969 691138</b> Screw (Blower Housing Cover)
803	695266	Housing-Starter (Used After Code Date 00040600).	910	691094	Stud (Alternator)			<b>972 699374</b> Tank-Fuel (Plastic)
		----- <b>Note</b> -----	914	691108	Screw (Rocker Cover)			<b>975 493640</b> Bowl-Float
		<b>695975</b> Housing- Starter (Used Before Code Date 00040700).	921	692695	Cover-Blower Housing (Red)			<b>976 694395</b> Primer-Carburetor
								<b>977 692704</b> Gasket Set- Carburetor
			921A	699633	Cover-Blower Housing			<b>988 692515</b> Gasket-Oil Adapter
			922	691831	Spring-Brake			<b>993 *Δ694088</b> Gasket-Cylinder Head Plate
								<b>994A 398067</b> Arrestor-Spark
								<b>1005 691346</b> Fan-Flywheel
								<b>1011 698094</b> Tube-Vent
								<b>1019 695811</b> Kit-Label
								<b>1022 *Δ691890</b> Gasket-Rocker Cover
								<b>1023 499624</b> Cover-Rocker
								<b>1023B 692694</b> Cover-Rocker
								<b>1024 692508</b> Pump-Oil
								<b>1026 692045</b> Rod-Push
								<b>1027 692513</b> Filter-Oil

★ Included in Engine Gasket Set-Ref. No.358.

● Included in Carburetor Overhaul Kit-Ref. No. 121.

◆ Included in Carburetor Gasket Set-Ref. No. 977.

Δ Included in Valve Gasket Set-Ref. No 1095.

*Illustrations cover a range of engines. Parts shown without corresponding text may not be used on your specific engine.*

REF. NO.	PART NO.	DESCRIPTION	REF. NO.	PART NO.	DESCRIPTION	REF. NO.	PART NO.	DESCRIPTION
1028	692516	Adapter-Oil Filter ----- <b>Note</b> ----- 694632 Adapter-Oil Filter Used on Type No(s). 0107.	1055	692623	Tube-Oil Pump	1160	691627	Screw (Interlock Switch)
1029	691230	Arm-Rocker	1058	276348	Owner's Manual	1210	498144	Pulley/Spring Assembly (Pulley)
1034	691343	Guide-Push Rod	1059	692311	Kit-Screw/Washer	1211	498144	Pulley/Spring Assembly (Spring)
1036		Label-Emission (Available From An Authorized Briggs & Statton Sevice Dealer)	1095	694091	Gasket Set-Valve	1330	272147	Manual-Repair
1054	280275	Tie-Cable	1102	691255	Pilot-Guide			
			1119	692979	Screw (Alternator) ----- <b>Note</b> ----- 691138 Screw (Alternator) Used on Type No(s). 0135, 0213.			

★ Included in Engine Gasket Set-Ref. No.358.

● Included in Carburetor Overhaul Kit-Ref. No. 121.

◆ Included in Carburetor Gasket Set-Ref. No. 977.

△ Included in Valve Gasket Set-Ref. No 1095.

*Illustrations cover a range of engines. Parts shown without corresponding text may not be used on your specific engine.*

0998-15

Assemblies include all parts shown in frames.

10/11/2005