

## 121700 to 121799

# Illustrated Parts List

## Model Series

### 121700 to 121799

#### TYPE NUMBERS

0101 through 0109,  
0115 through 0237,  
0239 through 0254,  
0256 through 0261,  
0263 through 0266,  
0268 through 0275,  
0416, 0418, 0419,  
0426, 0463, 0465,  
3101,

#### TYPE NUMBERS

3102, 3106, 3109,  
3115 through 3147,  
3153, 3154, 3158,  
3179, 3180, 3185,  
4000 through 4003,  
4006 through 4009,  
7015, 7016, 7018,  
7024, 7025, 7026,  
7051.

#### TO FIND

#### THE CORRECT NUMBER OF THE PART YOU NEED: FOLLOW THE INSTRUCTIONS BELOW

- A. Refer to Engine Model, Type and Code Number that is stamped on the blower housing of engine. Engine type numbers such as 0123 01 are listed only as 0123 in most instances. The two digits (01 or 02, etc.) to the right of the space may be required for more accurate parts identification in some instances. Select the Illustrated Parts List covering the correct Model Series and Type Number.
- B. Refer to the Illustrations and compare the original part with Illustration. The number next to the illustration is the Reference Number. Assemblies include all parts shown in frames. All parts shown in assembly frames having individual reference numbers can be purchased separately.
- C. After the Reference Number has been identified, refer to the Numerical text, where Reference and Primary Part Number are listed. **THE PRIMARY PART IS USED ON ALL TYPE NUMBERS EXCEPT THOSE TYPE NUMBERS UNDER "NOTE."**
- D. If a "Note" appears below the Primary Part Number, it means that this part differs from the Primary Part for certain types. If your Type number is listed under "Note," order the part referred to at the "Note."
- E. If your Engine Type Number does not appear after any part number listed under "Note," use the Primary Part Number.
- F. For Engine Type Numbers not covered by this book, check other Parts Lists having the same engine model or contact your source of supply.

PRINTED IN U.S.A.

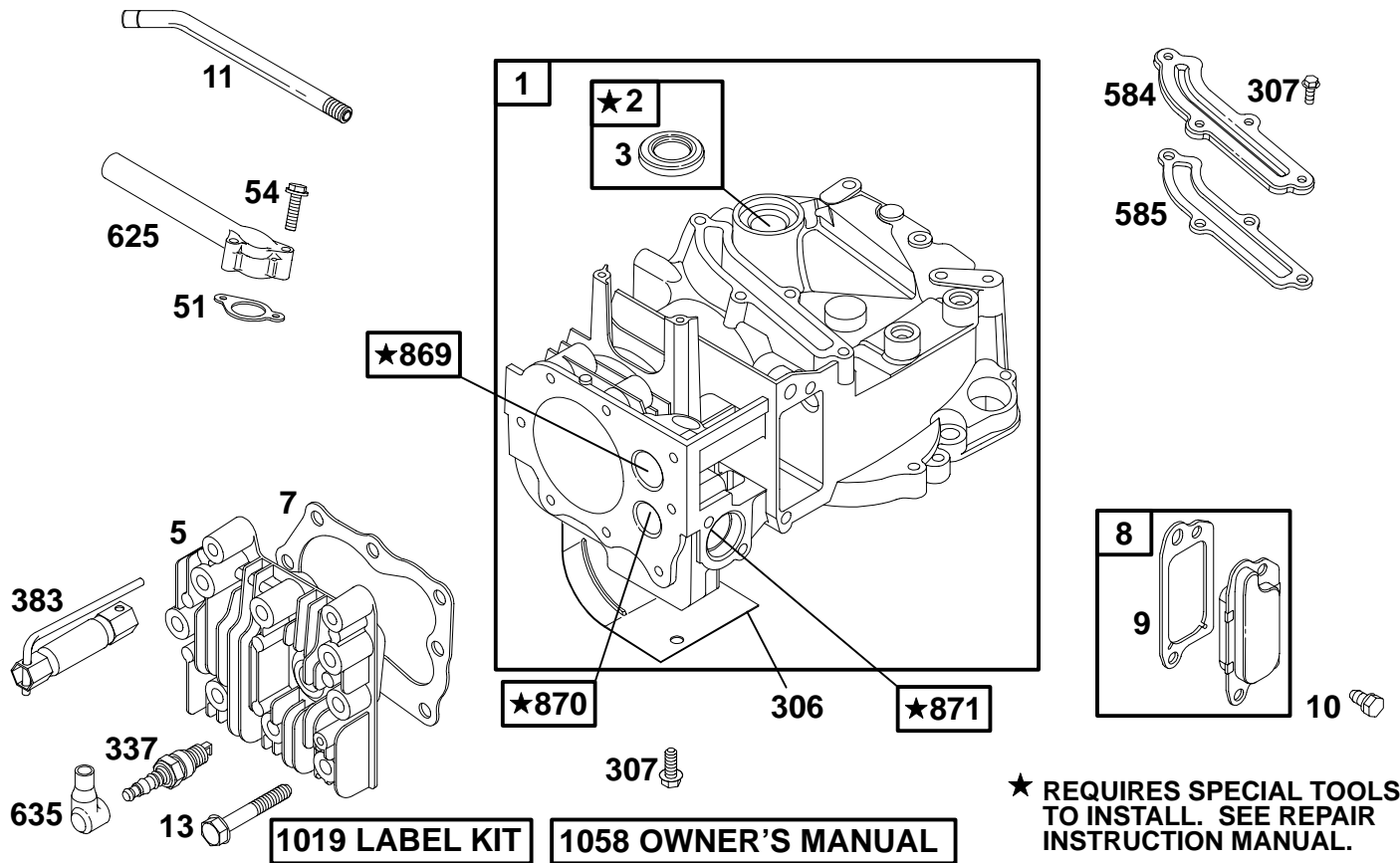


**BRIGGS & STRATTON**

®

COPYRIGHT by BRIGGS & STRATTON CORPORATION  
All rights reserved. No part of this material may be reproduced or transmitted, in any form or by any means, electronic or mechanical, including photocopying, recording or by any information storage and retrieval system, without permission in writing from Briggs & Stratton Corporation.

# 121700 to 121799

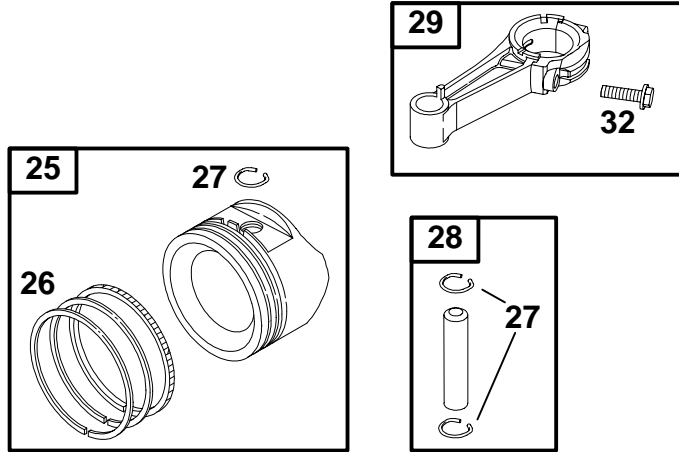


REF. NO.	PART NO.	DESCRIPTION	REF. NO.	PART NO.	DESCRIPTION	REF. NO.	PART NO.	DESCRIPTION
1	493260	Cylinder Assembly	337	298809	Plug-Spark (With Gasket) (1-1/2" High, 38 mm.)	625	492717	Manifold-Intake
2	293708	Bushing/Seal Kit			<b>Note</b>	635	66538	Boot-Spark Plug
3	★299819	Seal-Oil			802592	869	213512	Seat-Valve (Intake)
5	213861	Head-Cylinder			802592	870	213513	Seat-Valve (Exhaust)
7	★272200	Gasket-Cylinder Head			492167	871	262001	Bushing-Guide (Exhaust)
8	494489	Breather Assembly			293918			<b>Note</b>
9	★272481	Gasket-Breather			492167			63709
10	94222	Screw-Hex.			293918			Bushing-Guide (Intake)
11	231685	Tube-Breather			492167			1019
13	94547	Screw-Hex.			293918			494256
51	★272199	Gasket-Intake			492167			272262
54	94526	Screw-Hex.			492167			<b>Note</b>
306	224324	Shield-Cylinder	383	89838	Wrench-Spark Plug			273693
307	94515	Screw-Hex.	584	224328	Cover-Breather Passage			Owner's Manual
			585	★272238	Gasket-Breather Passage			Used on Type No(s). 1708.

★ Included in Gasket Set-See Ref.358.  
● Included in Carburetor Kit-See Ref. 121.

◆ Included in Carburetor Gasket Set-See Ref. 977.

**121700 to 121799**

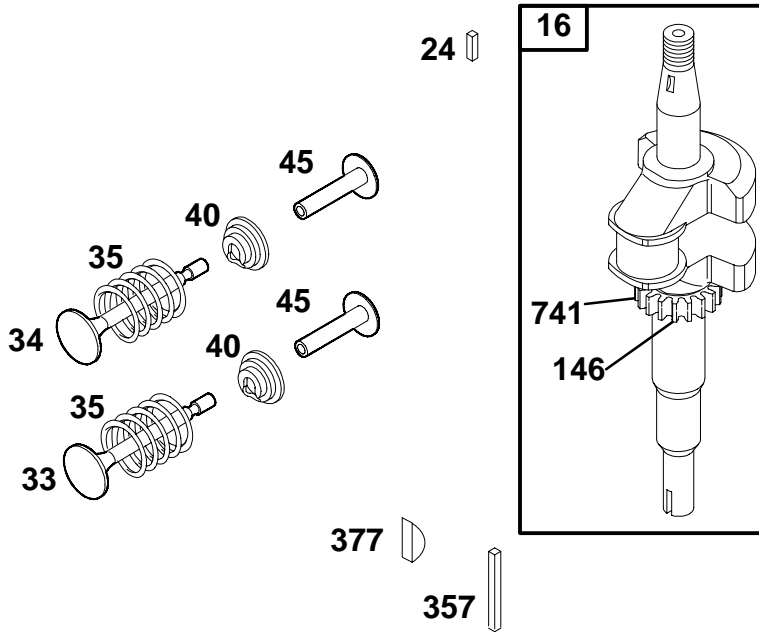


REF. NO.	PART NO.	DESCRIPTION	REF. NO.	PART NO.	DESCRIPTION	REF. NO.	PART NO.	DESCRIPTION
<b>25</b>	<b>493262</b>	Piston Assembly (Standard) <b>Note</b> <b>493385</b> Piston Assy. (.010" O.S.) <b>493386</b> Piston Assy. (.020" O.S.) <b>493387</b> Piston Assy. (.030" O.S.)	<b>26</b>	<b>493261</b>	Ring Set (Standard) <b>Note</b> <b>493388</b> Ring Set (.010" O.S.) <b>493389</b> Ring Set (.020" O.S.) <b>493390</b> Ring Set (.030" O.S.)	<b>28</b>	<b>298909</b>	Pin-Piston (Standard) <b>Note</b> <b>298908</b> Pin-Piston (.005" O.S.)
			<b>27</b>	<b>26026</b>	Lock-Piston Pin	<b>29</b>	<b>490566</b>	Rod-Connecting (Standard) <b>Note</b> <b>490743</b> Rod-Connecting (.020" Undersize)
						<b>32</b>	<b>94405</b>	Screw-Hex.

★ Included in Gasket Set—See Ref.358.  
● Included in Carburetor Kit—See Ref. 121.

◆ Included in Carburetor Gasket Set—See Ref. 977.

# 121700 to 121799

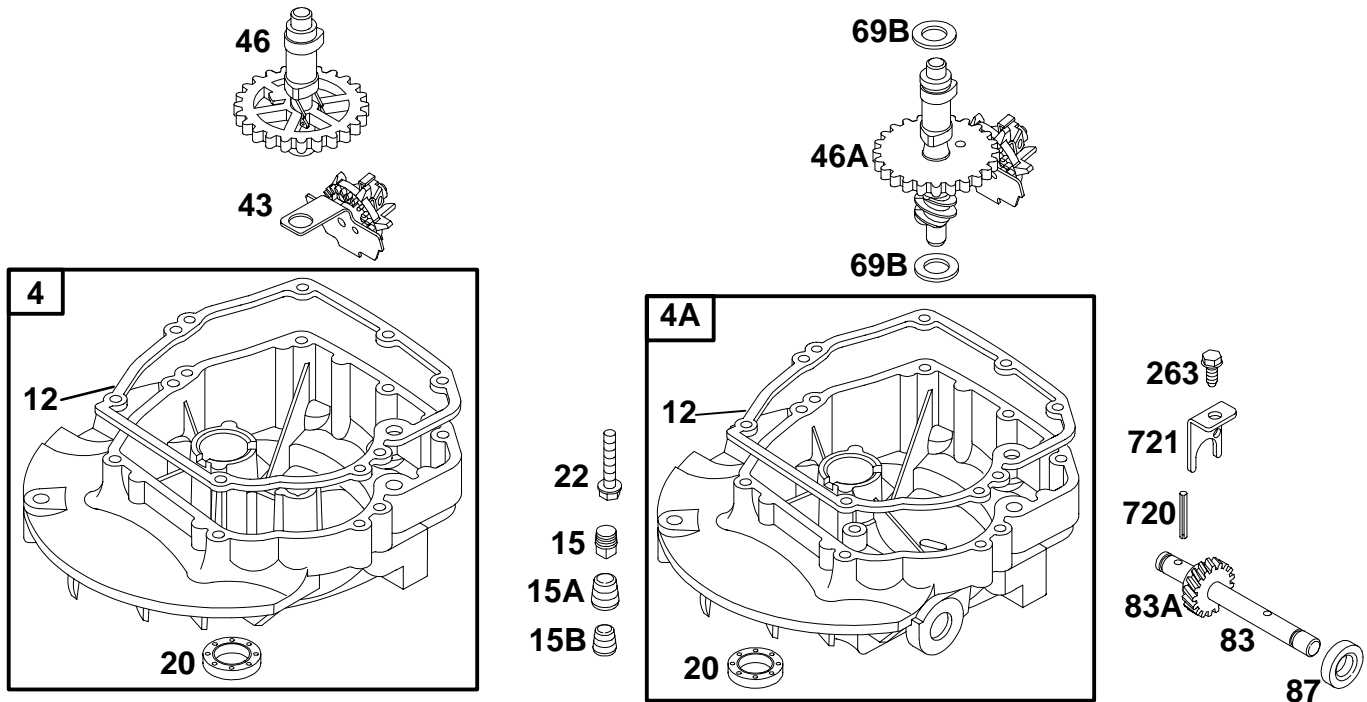


REF. NO.	PART NO.	DESCRIPTION	REF. NO.	PART NO.	DESCRIPTION	REF. NO.	PART NO.	DESCRIPTION
16	493282	Crankshaft <b>Note</b> <b>493362</b> Crankshaft Used on Type No(s). 0105, 0119, 0120, 0123, 0124, 0130, 0135, 0140, 0148, 0150, 0151, 0152, 0155, 0158, 0160, 0161, 0163, 0167, 0168, 0170, 0181, 0183, 0184, 0185, 0197, 0201, 0208, 0209, 0213, 0214, 0217, 0226, 0228, 0233, 0239, 0241, 0242, 0243, 0244, 0248, 0249, 0253, 0254, 0257, 0258, 0261, 0264, 0273, 0418, 0419, 0465, 3117, 3118, 3119, 3120, 3123, 3137, 3143, 3146, 3158, 3180, 3185, 4003, 4006, 4007, 4008, 4009, 7015, 7051. <b>493363</b> Crankshaft Used on Type No(s).			0107, 0121, 0122, 0125, 0126, 0129, 0133, 0142, 0143, 0144, 0147, 0149, 0165, 0169, 0189, 0196, 0200, 0203, 0207, 0210, 0212, 0215, 0216, 0219, 0221, 0222, 0224, 0227, 0234, 0240, 0245, 0246, 0256, 0268, 0270, 0416, 0426, 3122, 3131, 4002, 3147, 7016. <b>493433</b> Crankshaft Used on Type No(s). 3130, 3133, 3179, 7024. <b>493566</b> Crankshaft Used on Type No(s). 0146, 0153, 0190, 0192, 0205, 0206, 0247, 0252. <b>493946</b> Crankshaft Used on Type No(s). 0117, 0118, 0128, 0131, 0132, 0134, 0136, 0137, 0138, 0139, 0154, 0162,			0171, 0172, 0175, 0177, 0186, 0193, 0194, 0195, 0198, 0199, 0220, 0236, 0237, 0251, 0263, 0271, 0272, 3126, 3135, 3136, 3145, 4000, 7026. <b>493947</b> Crankshaft Used on Type No(s). 0178, 0182, 0265, 0275, 3124, 3142, 7018.
						24	222698	Key-Flywheel
						33	262651	Valve-Exhaust
						34	262652	Valve-Intake
						35	262224	Spring-Valve
						40	93312	Retainer-Valve
						45	262204	Tappet-Valve
						146	94388	Key-Timing
						357	91539	Key-Crankshaft
						377	94329	Key-Crankshaft (For 25 mm. Crankshaft)
								<b>Note</b> <b>93065</b> Key-Crankshaft (For 7/8" Dia. Crankshaft)
						741	262598	Gear-Timing

★ Included in Gasket Set-See Ref.358.  
 ● Included in Carburetor Kit-See Ref. 121.

◆ Included in Carburetor Gasket Set-See Ref. 977.

**121700 to 121799**

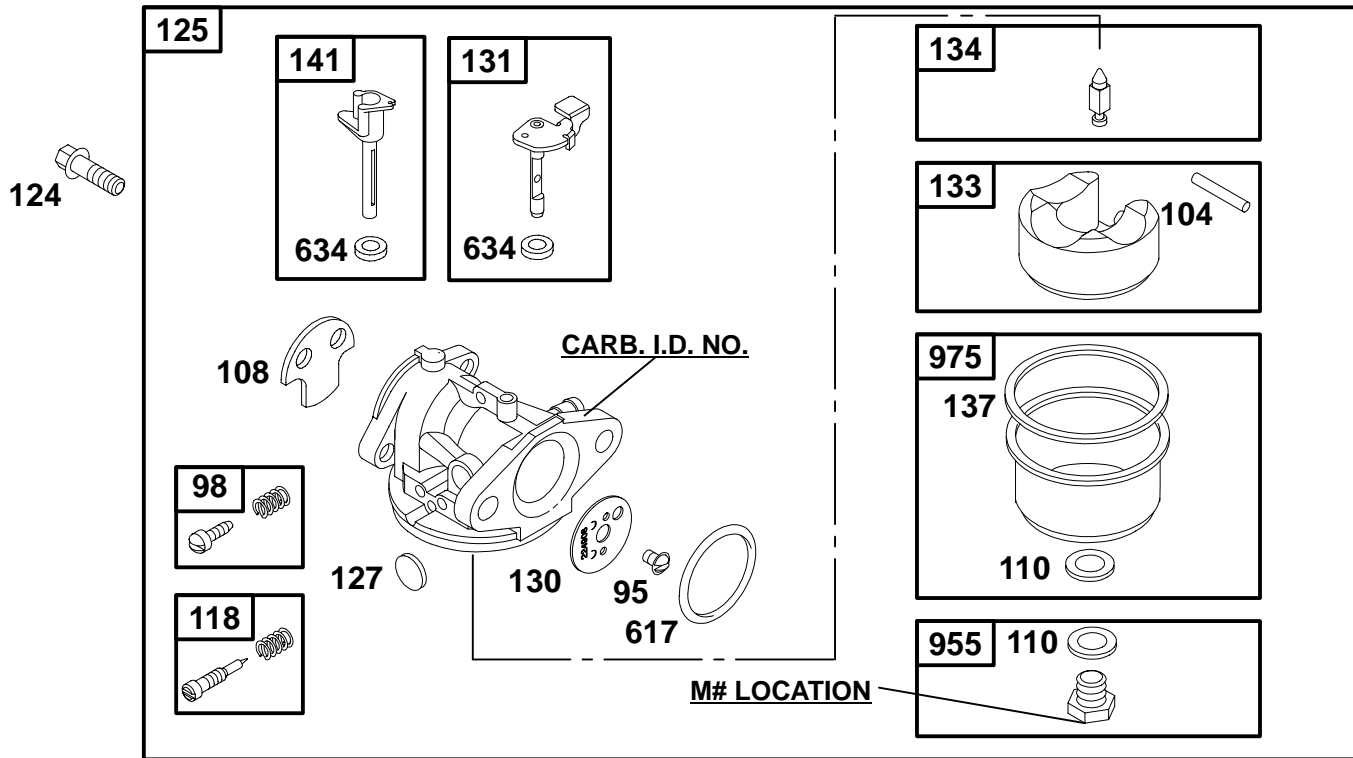


REF. NO.	PART NO.	DESCRIPTION	REF. NO.	PART NO.	DESCRIPTION	REF. NO.	PART NO.	DESCRIPTION
4	493279	Sump-Engine	46	492828	Gear-Cam	69B	68938	Washer-Thrust
4A	493365	Sump-Engine	46A	493739	Gear-Cam	83	231671	Shaft-Drive
12	★272198	Gasket-Crankcase			(Clockwise)			<b>Note</b>
15	94239	Plug-Oil Drain			(Used After Code Date			231711 Shaft-Drive
15A	93613	Plug-Oil Drain			90030456 and			Used on Type No(s).
15B	94470	Plug-Pipe			90031800).			3133.
20	★399781	Seal-Oil			492668 Gear-Cam			231748 Shaft-Drive
22	94220	Screw-Hex.			(Clockwise)			Used on Type No(s).
		<b>Note</b>			(Used Before Code			0273.
		94612 Screw-Hex.			Date 90030556 and			
		Head			90031900).			
		(Used in Hole Nearest			<b>Note</b>			
		Breather.)			493741 Gear-Cam			231278 Gear-Drive
43	493737	Governor/Oil Slinger			(Counterclockwise)			<b>Note</b>
					(Used After Code Date			231279 Gear-Drive
					90030456 and			Used on Type No(s).
					90031800).			0123, 0151, 0152,
					492669 Gear-Cam			0170, 0174, 0176,
					(Counterclockwise)			0208, 0209, 0254,
					(Used Before Code			0269, 0273, 3133,
					Date 90030556 and			3143, 3146, 3154,
					90031900).			7051.
					Used on Type No(s).			
					0123, 0151, 0152,	87	391484	Seal-Oil
					0170, 0174, 0176,	263	93572	Screw-Shaft Stop
					0208, 0209, 0254,	720	93474	Pin-Roll
					0269, 0273, 3133,	721	224249	Stop-Shaft
					3143, 3146, 3154,			
					7051.			

★ Included in Gasket Set-See Ref.358.  
 ● Included in Carburetor Kit-See Ref. 121.

◆ Included in Carburetor Gasket Set-See Ref. 977.

# 121700 to 121799

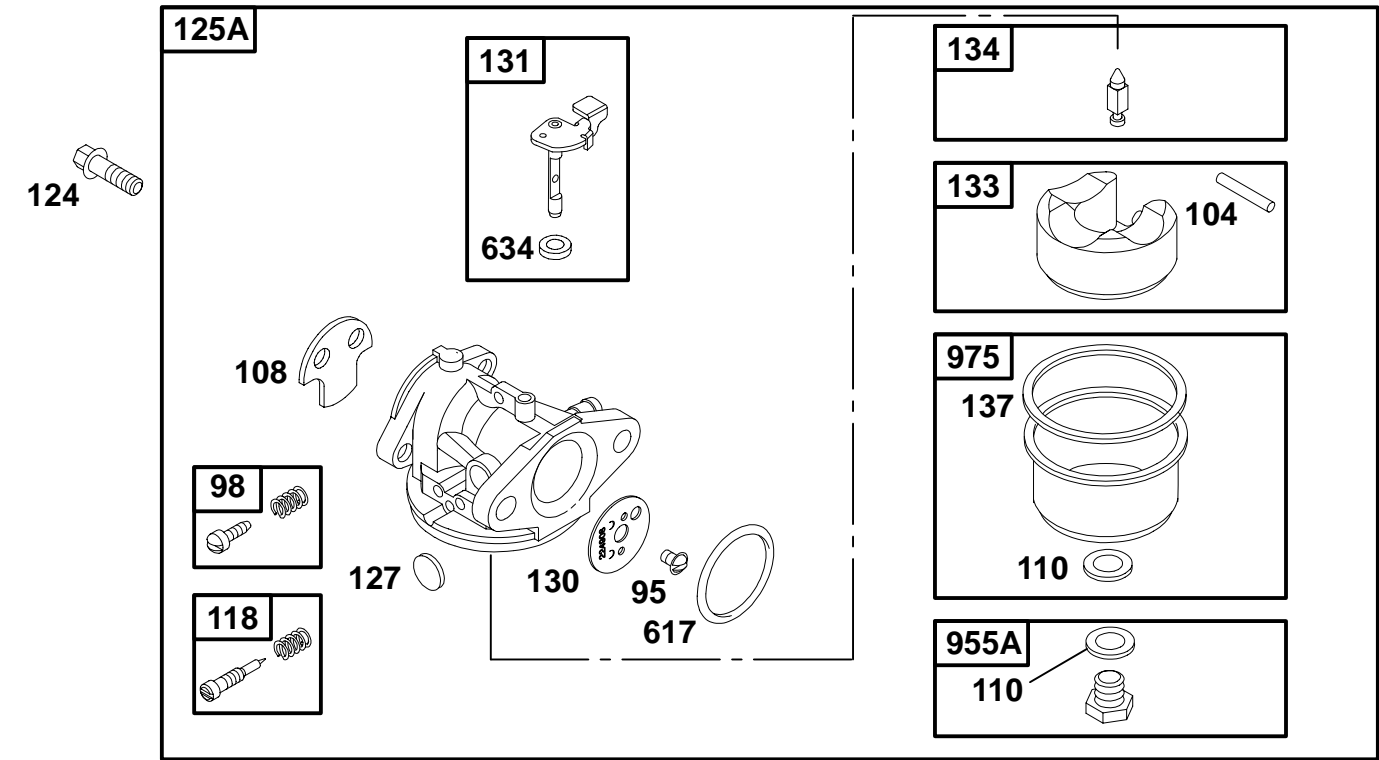


REF. NO.	PART NO.	DESCRIPTION	REF. NO.	PART NO.	DESCRIPTION	REF. NO.	PART NO.	DESCRIPTION
95	94098	Screw-Choke/Throttle	125	494216	Carburetor (Used After Code Date 90060300).	617	◆◆270344	Seal-Intake Manifold
98	398185	Screw-Idle Adjustment			<b>Note</b> _____	634	◆◆	Washer-Shaft (Sold in Kit Only)
104	◆231371	Pin-Float Hinge			493764 Carburetor (Used Before Code Date 90060400).	955	493637	Screw-Bowl Mtg. <b>OR</b>
108	223471	Pin-Float Hinge			493627 Carburetor (For Primer) (Used Before Code Date 93080200). Used on Type No(s). 0273.			494870 Screw-Bowl Mtg. (For High Altitude) (Used After Code Date 90060300 and Before Code Date 90060400 on Carburetor I.D. No. M26). <b>Note</b> _____
110	◆◆	Washer (Sold in Kit Only)	127	●	Plug-Welch (Sold in Kit Only)			496063 Screw-Bowl Mtg. <b>OR</b>
118	◆493765	Valve Kit-Needle (Used After Code Date 90060300 and Before Code Date 90060400). (On Carburetor I.D. No. M24).	130	223470	Valve-Throttle			494870 Screw-Bowl Mtg. (For High Altitude) (Used Before Code Date 93080200). Used on Type No(s). 0273.
		<b>Note</b> _____	131	493267	Shaft-Throttle	975	493640	Bowl-Float
		492945 Valve Kit-Needle (Used Before Code Date 90060400). (On Carburetor I.D. No. M26).	133	398187	Float-Carburetor			
124	94525	Screw-Hex. (Carburetor Mounting)	134	◆398188	Kit-Needle/Seat (Includes Seat)			
			137	◆◆	Gasket-Float Bowl (Sold in Kit Only)			
			141	494218	Shaft-Choke (Used After Code Date 90060300).			
					<b>Note</b> _____			
					493266 Shaft-Choke (Used Before Code Date 90060400).			

★ Included in Gasket Set-See Ref.358.  
● Included in Carburetor Kit-See Ref. 121.

◆ Included in Carburetor Gasket Set-See Ref. 977.

**121700 to 121799**



REF. NO.	PART NO.	DESCRIPTION	REF. NO.	PART NO.	DESCRIPTION	REF. NO.	PART NO.	DESCRIPTION
95	94098	Screw—Choke/Throttle	127	•	Plug—Welch (Sold in Kit Only)	95A	493637	Screw—Fuel Bowl (Standard) (Used After Code Date 93080100).
98	398185	Screw—Idle Adjustment	130	223470	Valve—Throttle	<b>Note</b> <b>494870</b> Screw—Fuel Bowl (For High Altitude) (Used After Code Date 93080100).		
104	•231371	Pin—Float Hinge	131	493267	Shaft—Throttle			
110	•◆	Washer (Sold in Kit Only)	133	398187	Float—Carburetor	975	493640	Bowl—Float
118	•493765	Valve Kit—Needle	134	•398188	Kit—Needle/Seat (Includes Seat)			
124	94525	Screw (Carburetor Mounting)	137	◆◆	Gasket—Float Bowl (Sold in Kit Only)			
125	496114	Carburetor (For Primer) (Used After Code Date 93080100).	617	◆◆270344	Seal—Intake Manifold			
			634	◆◆	Washer—Shaft (Sold in Kit Only)			

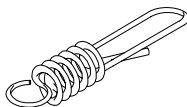
★ Included in Gasket Set—See Ref.358.

● Included in Carburetor Kit—See Ref. 121.

◆ Included in Carburetor Gasket Set—See Ref. 977.

# 121700 to 121799

209



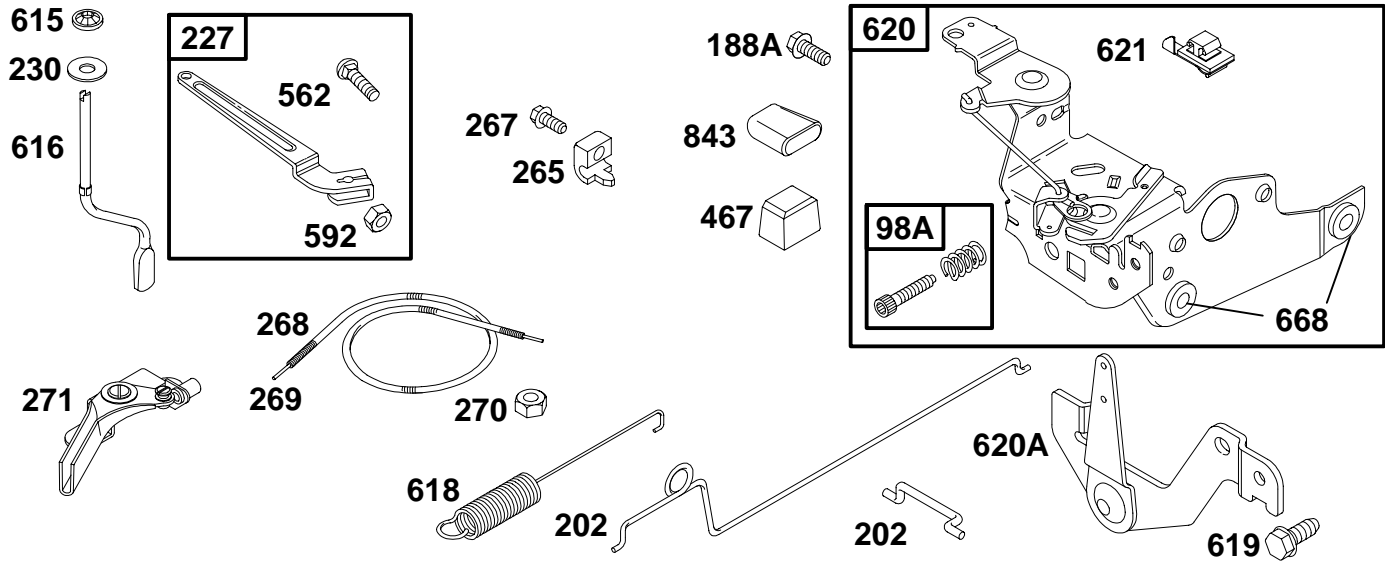
REF. NO.	PART NO.	DESCRIPTION	REF. NO.	PART NO.	DESCRIPTION	REF. NO.	PART NO.	DESCRIPTION	
209	<del>209</del> 262656	Spring-Governor <b>Note</b> 262654 Spring-Gov. Used on Type No(s). 0161. 262657 Spring-Gov. Used on Type No(s). 3126, 3132, 3134, 3135, 3141. 262658 Spring-Gov. Used on Type No(s). 0155, 0227, 0273, 3133. 262659 Spring-Gov. Used on Type No(s). 3130. 262660 Spring-Gov. Used on Type No(s). 0229, 0273, 3117, 3118, 3119, 3120, 3122, 3124, 3127, 3131, 3137, 3146, 3179, 3180, 3185, 4000, 4002, 4003, 4006, 7015, 7016, 7018, 7024, 7025, 7026, 7051. 262661 Spring-Gov. Used on Type No(s). 0101, 0102, 3101, 3102, 3109, 3139, 3140, 3142, 3143. 262664 Spring-Gov.			Used on Type No(s). 0130, 0141, 0143, 0144, 0148, 0156, 0158, 0162, 0172, 0175, 0183, 0186, 0187, 0190, 0191, 0213, 0230, 0231, 0232, 0233, 0234, 0239, 0242, 0248, 0250, 0252, 0254, 0259, 0260, 0265, 0266, 0271, 0275, 3123, 3158. 262665 Spring-Gov. Used on Type No(s). 0131, 0132, 0142, 0146, 0149, 0150, 0152, 0153, 0157, 0161, 0172, 0175, 0183, 0184, 0186, 0192, 0198, 0204, 0205, 0206, 0208, 0209, 0212, 0215, 0221, 0222, 0228, 0240, 0246, 0247, 0256, 0270, 3116, 4001, 4007, 4009. 262666 Spring-Gov. Used on Type No(s). 0103, 0104, 0105, 0106, 0107, 0108, 0109, 0115, 0116, 0117, 0118, 0119,				0120, 0121, 0122, 0123, 0124, 0125, 0126, 0128, 0129, 0133, 0135, 0136, 0139, 0140, 0147, 0154, 0167, 0168, 0169, 0170, 0174, 0176, 0181, 0189, 0196, 0200, 0201, 0203, 0207, 0210, 0214, 0216, 0217, 0219, 0220, 0226, 0237, 0241, 0243, 0244, 0245, 0249, 0253, 0257, 0258, 0261, 0263, 0264, 0268, 0269, 0416, 0418, 0419, 0426, 0463, 0465, 3106, 3134, 3138, 4008. 262667 Spring-Gov. Used on Type No(s). 0163, 0165, 0218, 0272, 3147, 3153, 3154. 262678 Spring-Gov. Used on Type No(s). 0134, 0137, 0138, 0145, 0159, 0171, 0181, 0193, 0194, 0195, 0197, 0199, 0211, 0224, 0236, 0251, 3115, 3145.

★ Included in Gasket Set-See Ref.358.  
● Included in Carburetor Kit-See Ref. 121.

◆ Included in Carburetor Gasket Set-See Ref. 977.



**121700 to 121799**

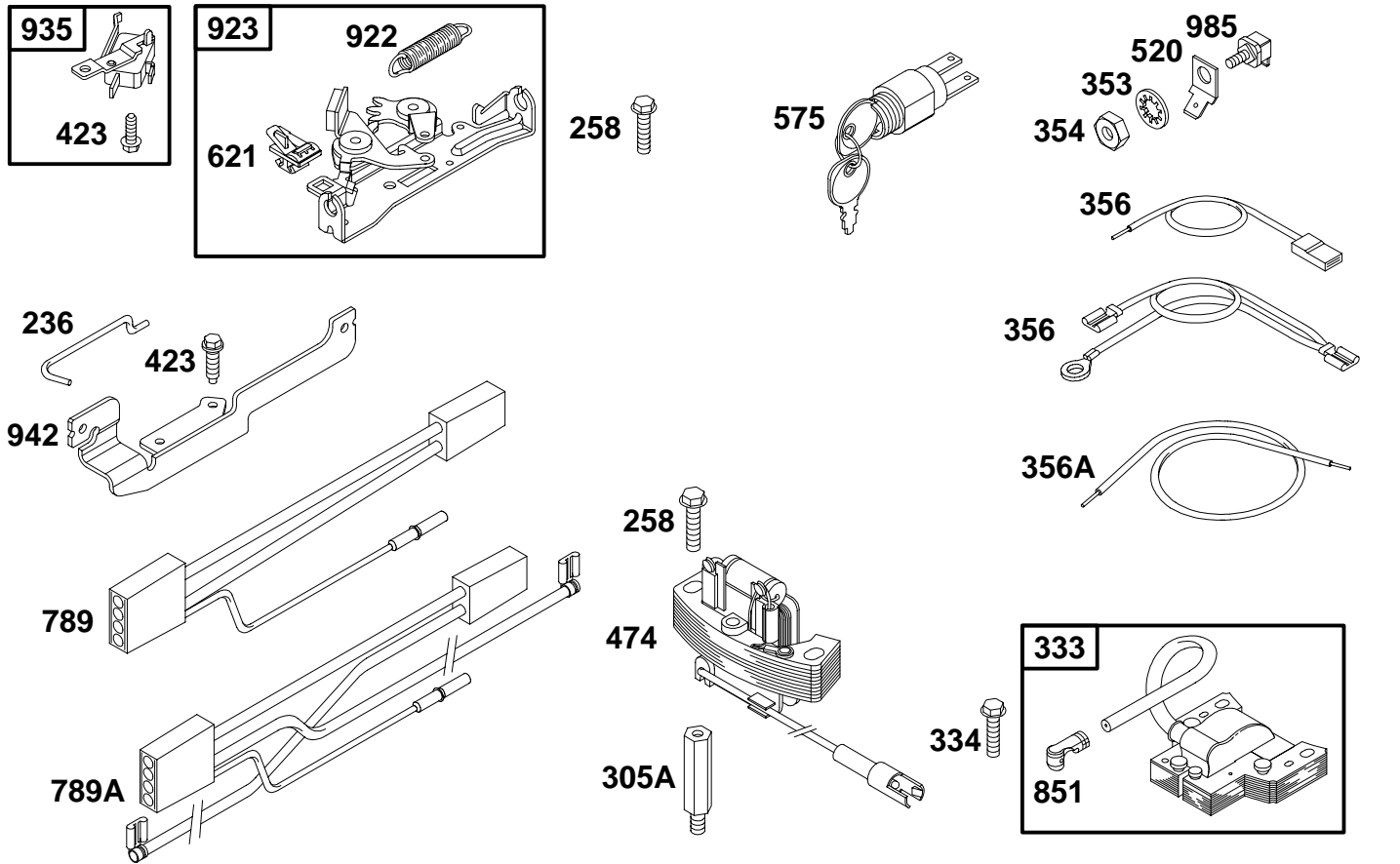


REF. NO.	PART NO.	DESCRIPTION	REF. NO.	PART NO.	DESCRIPTION	REF. NO.	PART NO.	DESCRIPTION
98A	493280	Screw—Speed Adj.	616	262578	Crank—Governor			Used on Type No(s). 0159, 0188, 0190, 0193, 0194, 0227, 0236, 0252, 0271, 0272, 4009.
188A	94644	Screw—Hex.	618	262749	Spring (Used After Code Date 90060300).			
201	262579	Link—Mechanical Governor			<b>Note</b>			
202	262782	Link			260870 Spring (Used Before Code Date 90060400).			495976 Bracket— Control (Man. Friction Control) (Used After Code Date 93080100).
227	492349	Lever—Governor						493895 Bracket— Control (Man. Friction Control) (Used Before Code Date 93080200 and After Code Date 91072800).
230	67072	Washer—Flat	620	495975	Bracket—Control (Remote Control) (Used After Code Date 93080100).			493895 Bracket— Control (Man. Friction Control) (Used Before Code Date 93080200 and After Code Date 91072800).
265	22372	Clamp—Casing			493894 Bracket— Control (Used Before Code Date 93080200 and After Code Date 90030456 and 90031800).			493894 Bracket— Control (Remote Control) (Used Before Code Date 91072900).
267	94204	Screw—Slotted Hex.			492978 Bracket— Control (Used Before Code Date 90030556 and 90031900).			Used on Type No(s). 7015, 7016, 7018, 7024, 7025, 7026, 7051.
268	65616	Casing—Wire (72" Long) 66986 Casing—Wire (48" Long) If Longer Casing is Needed, Specify Length in Inches; if Shorter Casing is Needed, Cut to Length.			<b>Note</b>			
269	26633	Wire—Control (78" Long) 26099 Wire—Control (54" Long) If Longer Wire is Needed, Specify Length in Inches; if Shorter Wire is Needed, Cut to Length.			495976 Bracket— Control (Man. Friction Control) (Used After Code Date 93080100).	620A	494112	Bracket—Control (Includes 2)
270	63426	Locknut—Casing			493895 Bracket— Control (Used Before Code Date 93080200).	621	396847	Switch—Stop
271	290568	Lever—Control				668	★493823	Spacer (Includes 2)
562	92613	Bolt—Governor Lever				843	272616	Sleeve—Lever
592	231082	Nut—Hex.						
615	94474	Retainer—Governor Shaft						

★ Included in Gasket Set—See Ref.358.  
● Included in Carburetor Kit—See Ref. 121.

◆ Included in Carburetor Gasket Set—See Ref. 977.

# 121700 to 121799

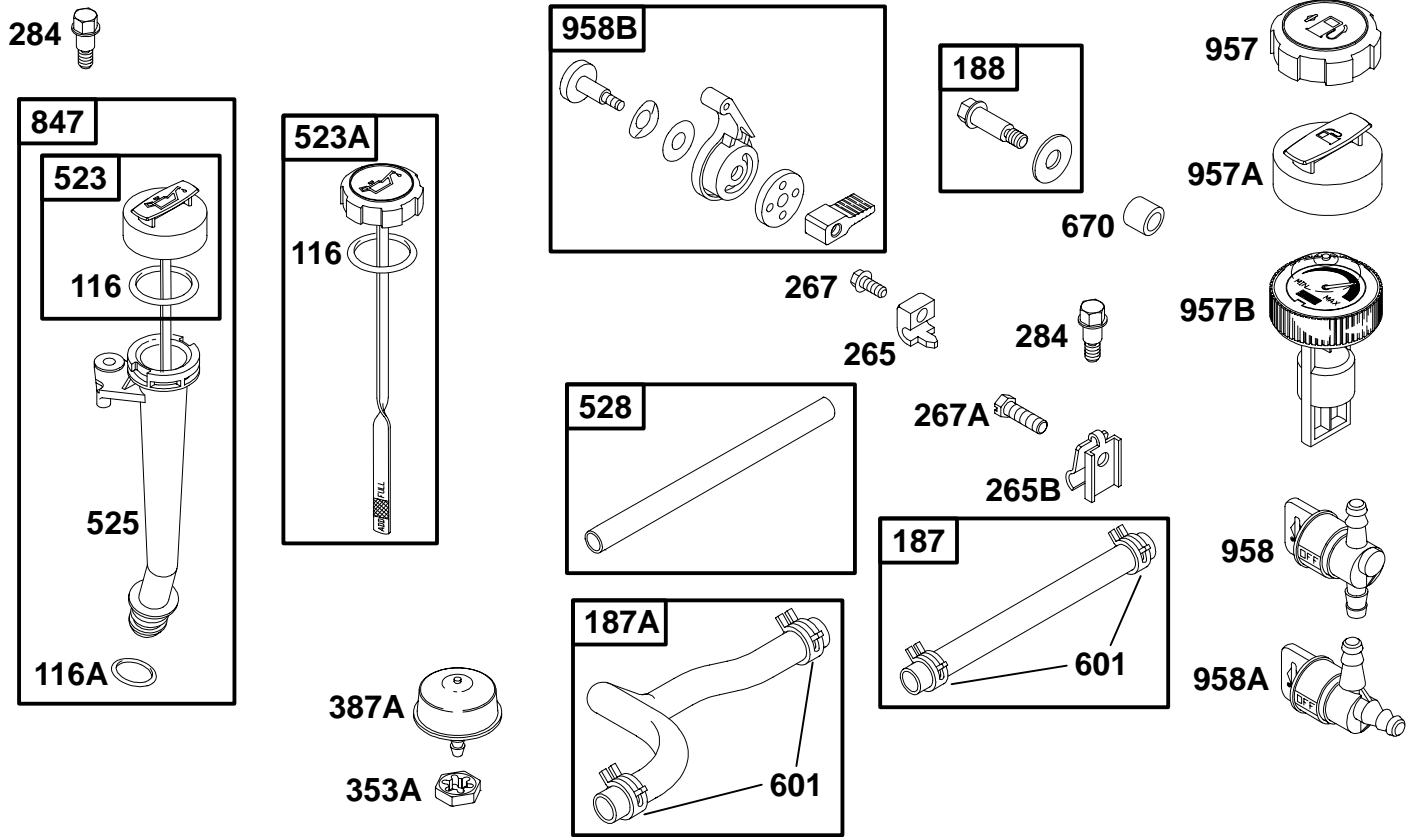


REF. NO.	PART NO.	DESCRIPTION	REF. NO.	PART NO.	DESCRIPTION	REF. NO.	PART NO.	DESCRIPTION	
236	262461	Link-Lock Out	423	93758	Screw-Hex. Hd.	851	493880	Terminal-Cable	
258	94512	Screw-Hex. Head	520	93722	Terminal	922	262640	Spring-Brake	
333	802574	Armature-Magneto	575	396291	Switch-Starting	923	493442	Brake Assembly	
334	94731	Screw-Hex.			<b>Include(s):</b>	935	398758	Switch-Interlock	
353	92791	Washer-Lock			392832	Key Set	942	224494	Bracket-Brake
354	90576	Nut-Hex.	621	396847	Switch-Stop	985	398525	Insulator Assembly	
356	497833	Wire-Stop							

★ Included in Gasket Set-See Ref.358.  
 ● Included in Carburetor Kit-See Ref. 121.

◆ Included in Carburetor Gasket Set-See Ref. 977.

121700 to 121799

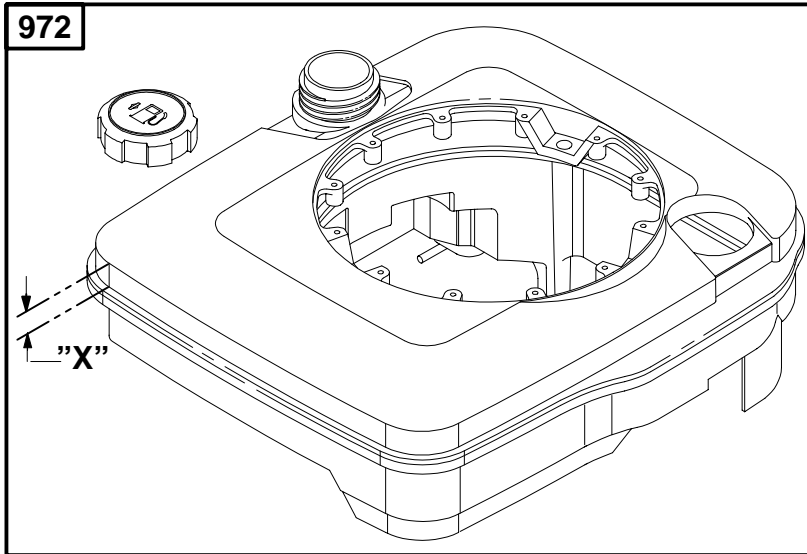


REF. NO.	PART NO.	DESCRIPTION	REF. NO.	PART NO.	DESCRIPTION	REF. NO.	PART NO.	DESCRIPTION
116	★280393	Seal-O-Ring	523A	493950	Dipstick (Used After Code Date 89121300).	670	280512	Spacer
116A	★280966	Seal-O-Ring			<b>Note</b>	847	495263	Dipstick/Tube Assembly (Used After Code Date 92072600).
187	492790	Line-Fuel (Cut To Suit)			493459 Dipstick (Used Before Code Date 89121400).			<b>Note</b>
187A	492791	Line-Fuel			493952 Tube-Oil Fill (Used Before Code Date 92072700 and After Code Date 89121300).			493959 Tube-Oil Fill (Used Before Code Date 92072700).
188	398540	Screw-Tank Mounting	525	495265	Tube-Oil Fill (Used After Code Date 92072600).	957	397974	Cap-Fuel Tank
265	213146	Clamp-Casing			<b>Note</b>	957A	493017	Cap-Fuel Tank
265B	224057	Clamp-Casing			493959 Tube-Oil Fill (Used Before Code Date 92072700).	957B	494277	Cap-Fuel Tank
267	94204	Screw-Clamp Mtg.			493952 Tube-Oil Fill (Used Before Code Date 92072700 and After Code Date 89121300).	958	493960	Valve-Shut-Off
267A	94264	Screw-Clamp Mtg.			493459 Tube-Oil Fill (Used Before Code Date 89121400).	958A	494539	Valve-Shut-Off
284	94511	Screw-Hex. Hd.	528	399254	Hose-Fuel (For Primer)	958B	494235	Valve-Shut-Off
284	94511	Screw-Shoulder	601	93053	Clamp-Hose (Green)			
353A	94581	Locknut			<b>Note</b>			
387A	394281	Primer-Fuel			93807 Clamp-Hose (Black)			
523	495264	Dipstick (Used After Code Date 92072600).						
		<b>Note</b>						
		493950 Dipstick (Used Before Code Date 92072700 and After Code Date 89121300).						
		493459 Dipstick (Used Before Code Date 89121400).						

★ Included in Gasket Set-See Ref.358.  
● Included in Carburetor Kit-See Ref. 121.

◆ Included in Carburetor Gasket Set-See Ref. 977.

# 121700 to 121799



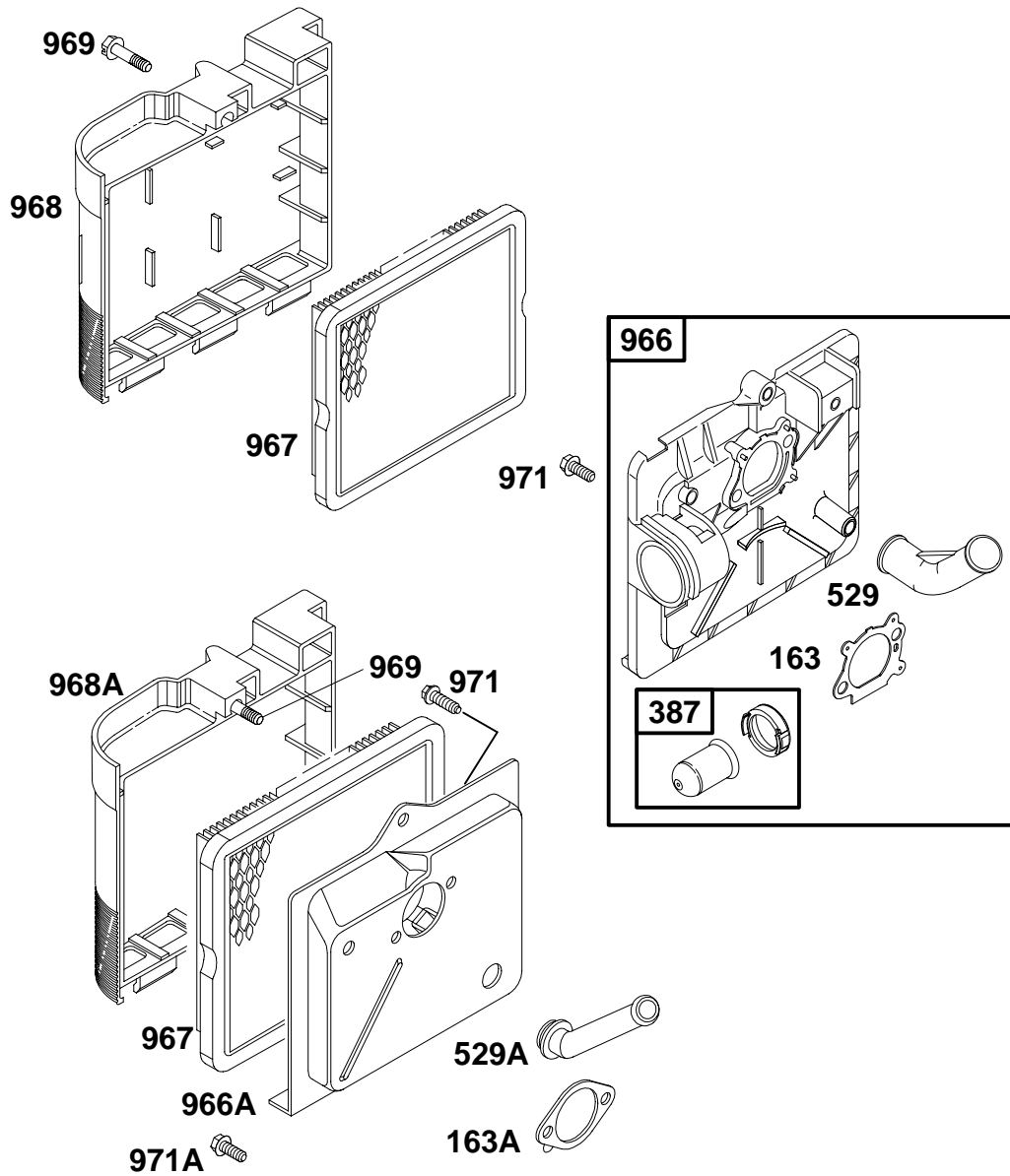
TANK SIZE	COLORS
1 Quart (X=5/16")	SEE REF. 972
1.5 Quart (X=11/16")	

REF. NO.	PART NO.	DESCRIPTION	REF. NO.	PART NO.	DESCRIPTION	REF. NO.	PART NO.	DESCRIPTION	
972	494351	Tank-Fuel (1 Quart, Black) (Used After Code Date 90092300).			(1-1/2 Quart, Red) Used on Type No(s). 0120-04, 0204-01, 0217-02, 3116-02.			0170-01, 0176-01, 0184-01, 0188-01, 0190-01, 0192-01, 0192-02, 0193-01, 0194-01, 0195-01, 0198-01, 0199-01, 0203-03, 0206-01, 0207-01, 0209-01, 0211-01, 0216-01, 0217-01, 0219-01, 0220-01, 0239-01, 0242-01, 0245-01, 0252-01, 0253-01, 0257-01, 0259-01, 0261-01, 0266-01, 0266-02, 0269-01, 0271-01, 0273-01, 0416-01, 0416-02, 0418-01, 0419-01, 0426-01, 0463-01, 0465-01, 3102-01, 3106-01, 3116-01, 3138-01, 4008-01.	
	494534	Tank-Fuel (1 Quart, Black) (Used Before Code Date 90092400).		494357	Tank-Fuel (1 Quart, Red ) Used on Type No(s). 0226-02, 0258-01.				
		<b>Note</b>		494360	Tank-Fuel (1-1/2 Quart, Tan) Used on Type No(s). 3130-02.				
	494359	Tank-Fuel (1 Quart, Sun Yellow) Used on Type No(s). 3131-02, 3137-01, 3137-02, 3180-02.		494528	Tank-Fuel (1-1/2 Quart, Black) (Used After Code Date 90092300).			495065	Tank-Fuel (1-1/2 Quart, Black with Dry Primer Hole). Used on Type No(s). 0273-01.
	494309	Tank-Fuel (1-1/2 Quart Black) Used on Type No(s). 0201-01, 0241-01, 0243-01, 0244-01.		494340	Tank-Fuel (1-1/2 Quart, Black) (Used Before Code Date 90092400).				
	494352	Tank-Fuel (1 Quart, Gray) Used on Type No(s). 0226-02.			Used on Type No(s). 0102-01, 0104-01, 0106-01, 0108-01, 0119-02, 0120-03, 0124-01, 0124-02, 0125-01, 0126-01, 0132-01, 0148-01, 0152-01, 0154-01, 0159-01, 0162-01, 0168-01, 0168-02,				
	494353	Tank-Fuel (1-1/2 Quart, Yellow) Used on Type No(s). 0126-02, 0203-01, 0203-02.							
	494356	Tank-Fuel							

★ Included in Gasket Set-See Ref.358.  
● Included in Carburetor Kit-See Ref. 121.

◆ Included in Carburetor Gasket Set-See Ref. 977.

**121700 to 121799**

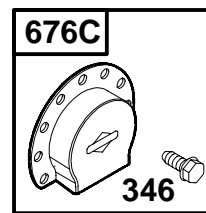
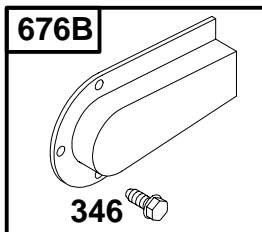
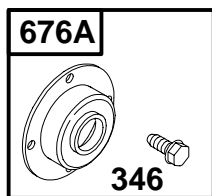
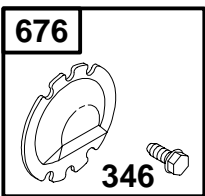
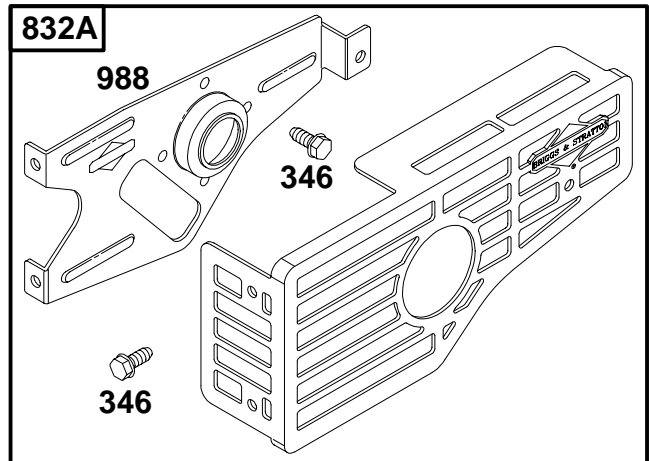
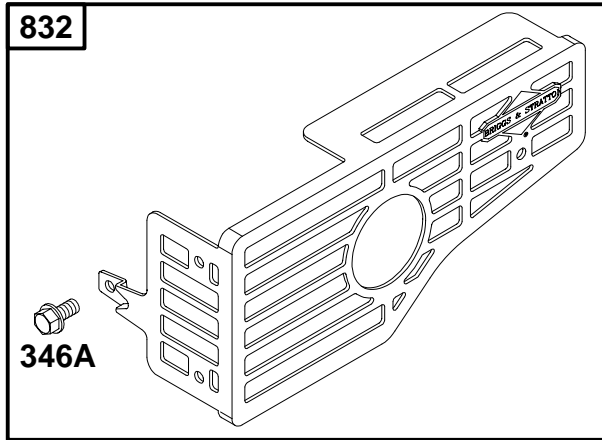
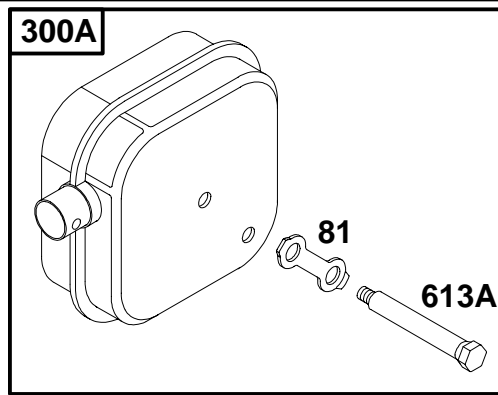
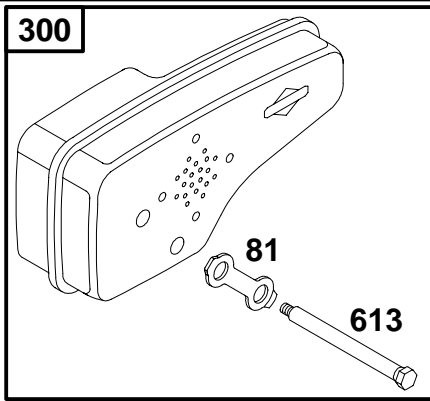


REF. NO.	PART NO.	DESCRIPTION	REF. NO.	PART NO.	DESCRIPTION	REF. NO.	PART NO.	DESCRIPTION
163	★272653	Gasket–Air Cleaner			(Used After Code Date 93080100).	967	491588	Filter–Air
163A	★272296	Gasket–Air Cleaner				968	281340	Cover–Air Cleaner
387	496115	Primer–Carburetor	966A	492363	Base–Air Cleaner (Metal)	968A	281069	Cover–Air Cleaner
529	281299	Grommet			(Used Before Code Date 93080200).	969	94120	Screw–Air Cleaner
529A	280943	Grommet				971	94121	Screw–Air Cleaner
966	496116	Base–Air Cleaner (Primer Style)				971A	94269	Screw–Hex. Head

★ Included in Gasket Set–See Ref.358.  
 ● Included in Carburetor Kit–See Ref. 121.

◆ Included in Carburetor Gasket Set–See Ref. 977.

# 121700 to 121799

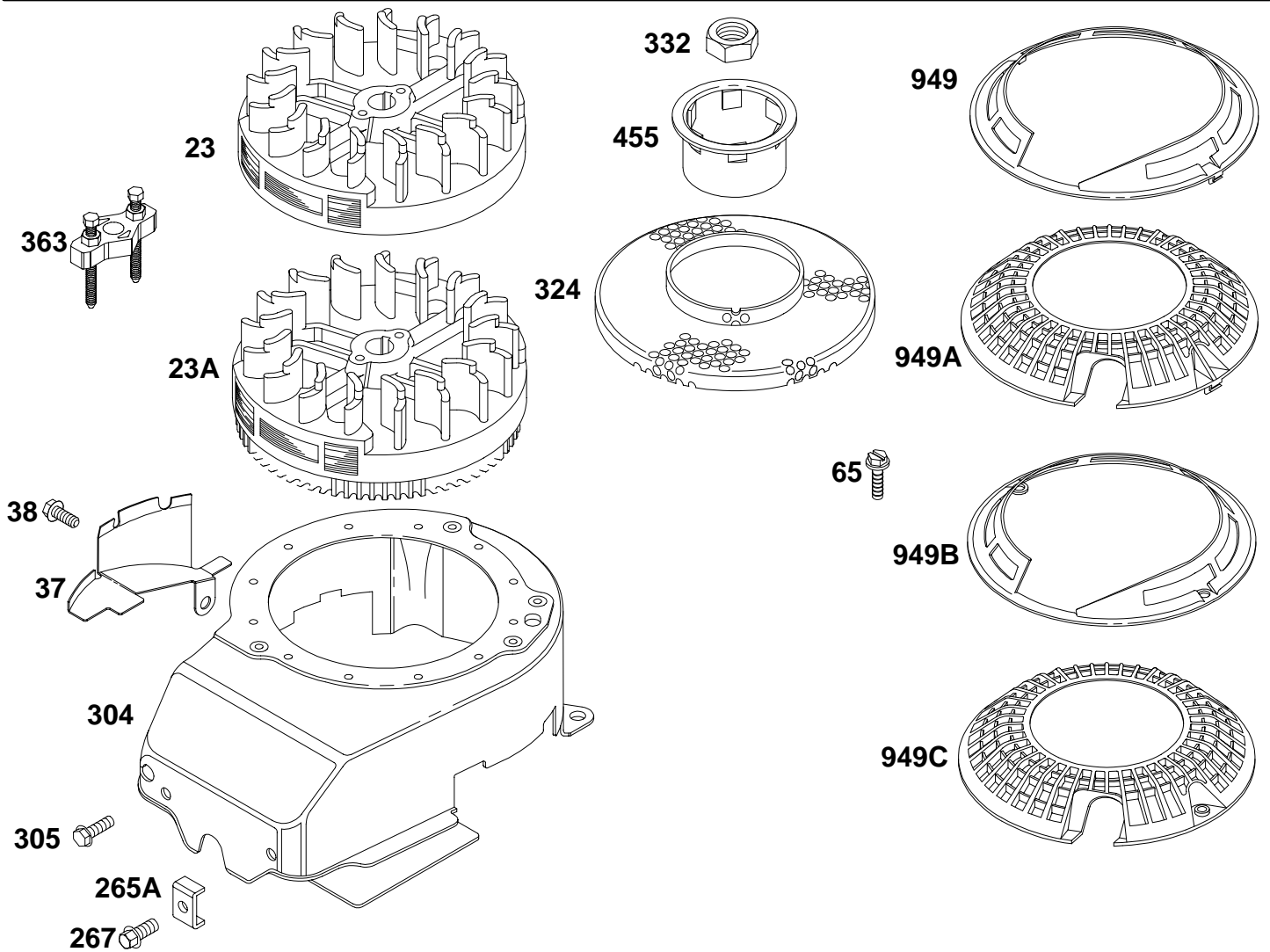


REF. NO.	PART NO.	DESCRIPTION	REF. NO.	PART NO.	DESCRIPTION	REF. NO.	PART NO.	DESCRIPTION
81	223664	Lock-Muffler Screw	613	94231	Screw-Hex. Hd.	676C	393760	Deflector-Muffler
300	490547	Muffler-Exhaust	613A	94615	Screw-Hex. Hd.	832	494224	Guard-Muffler
300A	494343	Muffler-Exhaust	676	393756	Deflector-Muffler	832A	494224	Guard-Muffler
		(Square Lo-Tone)	676A	397931	Deflector-Muffler	883	★272253	Gasket-Muffler
346	93705	Screw-Hex. Hd.	676B	493871	Deflector-Muffler	988	223828	Bracket-Muffler Guard
346A	94602	Screw-Hex. Hd.						

★ Included in Gasket Set-See Ref.358.  
 ● Included in Carburetor Kit-See Ref. 121.

◆ Included in Carburetor Gasket Set-See Ref. 977.

121700 to 121799

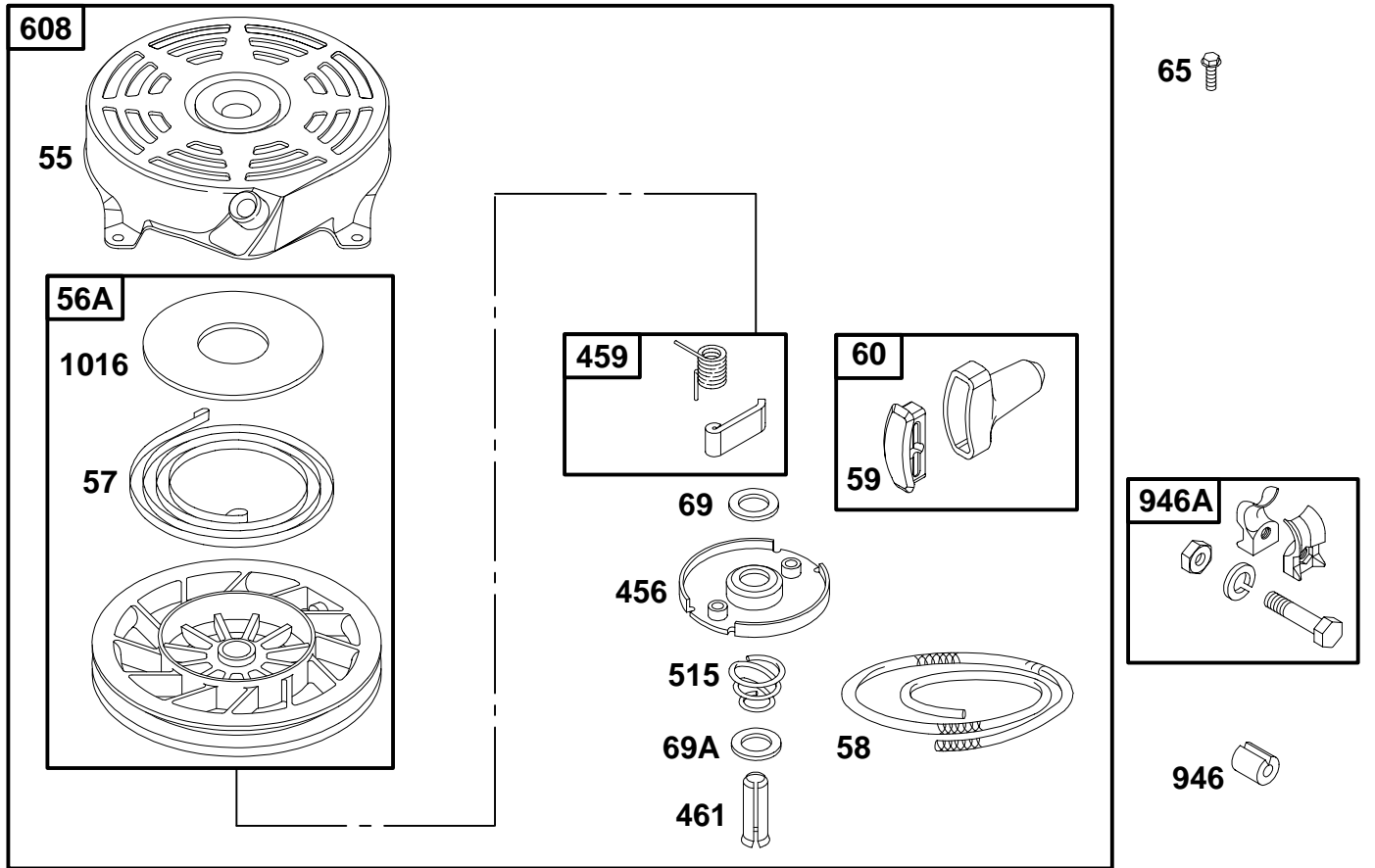


REF. NO.	PART NO.	DESCRIPTION	REF. NO.	PART NO.	DESCRIPTION	REF. NO.	PART NO.	DESCRIPTION
23	492177	Flywheel			Blower			94639 Screw-Mtg.
23A	492175	Flywheel			Used on Engines With Band Brake.	949A	281130	Guard-Finger (Snap-in Style For 1 Quart Tank)
		<b>Note</b>						<b>Note</b>
		492893 Flywheel	305	94513	Screw-Sem			281136 Guard-Finger (Snap-in Style For 1-1/2 Quart Tank)
		Used on Type No(s). 0143, 0144, 0197, 0213, 0215, 0227, 0256, 0273.			49513 Screw-Sem.			949B 280980 Trim-Ring (Screw in Style For 1 Quart Tank)
37	224511	Guard-Flywheel			94167 Stud			949C 280946 Guard-Finger (Screw in Style For 1-1/2 Quart Tank)
38	94608	Screw-Hex. Head	324	224251	Screen-Rotating			<b>Note</b>
65	94058	Screw-Hex. Head	332	92284	Nut-Flywheel			281089 Guard-Finger (Screw in Style For 1 Quart Tank)
265A	22372	Clamp-Casing	363	19069	Flywheel Puller			
267	94204	Screw-Hex. Head	455	224250	Cup-Flywheel			
304	493294	Housing-Blower	949	281187	Trim-Ring (Snap-in Style For 1 Quart Tank)			
		Used on Engines Without Band Brake.			<b>Use(s):</b>			
		<b>Note</b>						
		493293 Housing-						

★ Included in Gasket Set-See Ref.358.  
● Included in Carburetor Kit-See Ref. 121.

◆ Included in Carburetor Gasket Set-See Ref. 977.

# 121700 to 121799



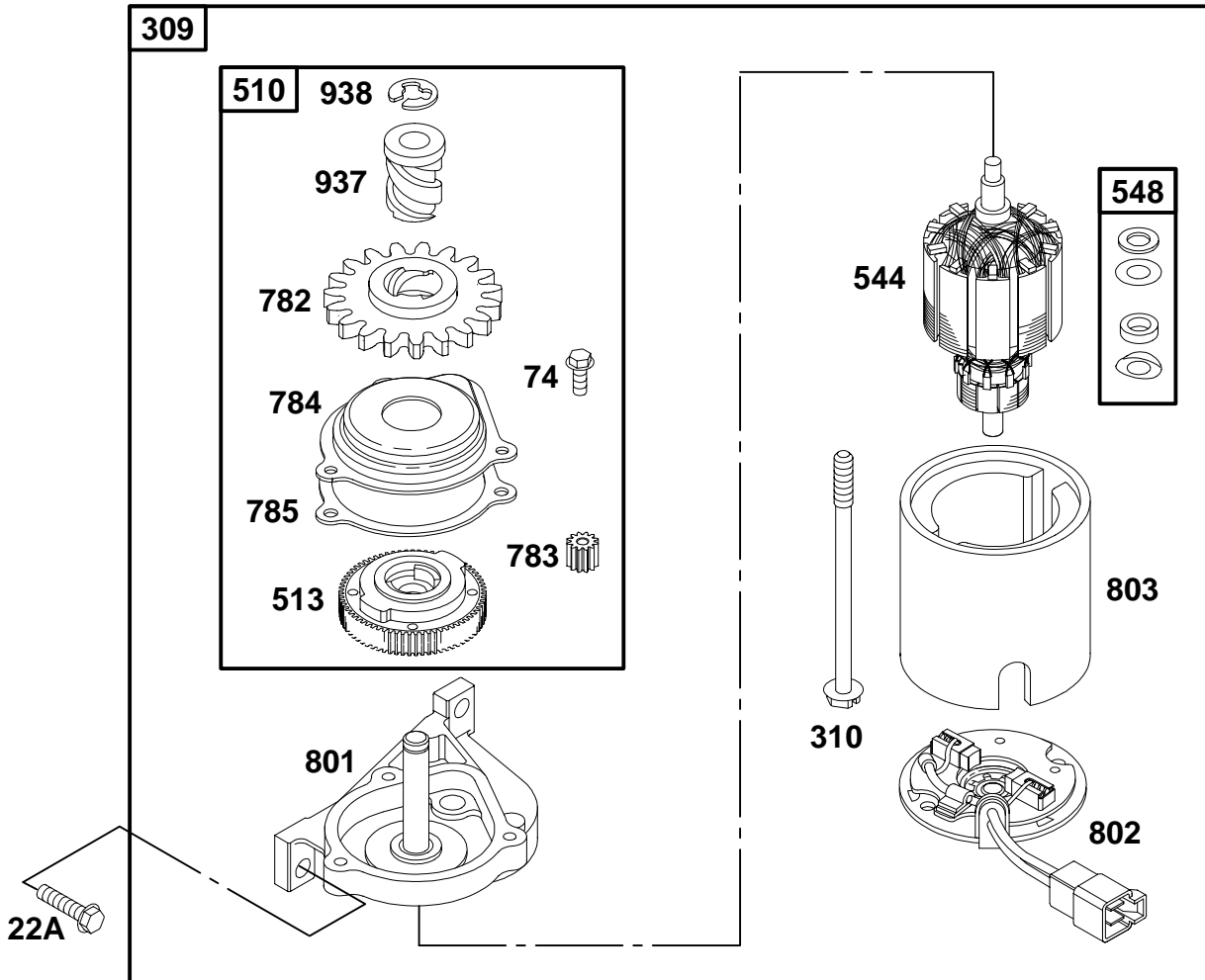
REF. NO.	PART NO.	DESCRIPTION	REF. NO.	PART NO.	DESCRIPTION	REF. NO.	PART NO.	DESCRIPTION
65A	94579	Screw-Hex. Head	515	262625	Spring-Retainer	946	223294	Stop-Rope
69	280973	Washer-Spring	608	493295	Starter-Rewind	946A	396526	Guide-Rope
69A	224322	Washer-Flat			<b>Include(s):</b>	1016	224278	Cover-Pulley
456	224321	Retainer-Spring			94128			Screw-Hex. Hd.
459	492833	Pawl-Ratchet			92987			Nut-Hex.
461	262626	Pin-Shaft						

★ Included in Gasket Set-See Ref.358.  
 ● Included in Carburetor Kit-See Ref. 121.

◆ Included in Carburetor Gasket Set-See Ref. 977.



**121700 to 121799**

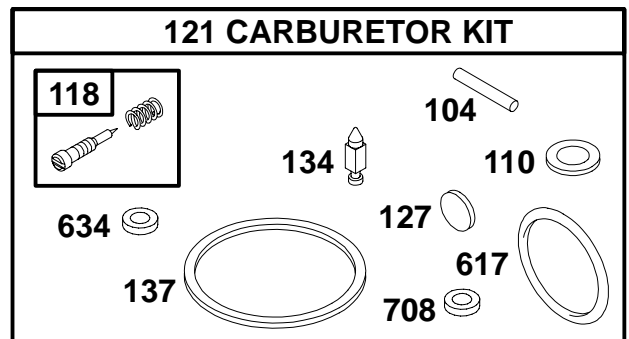
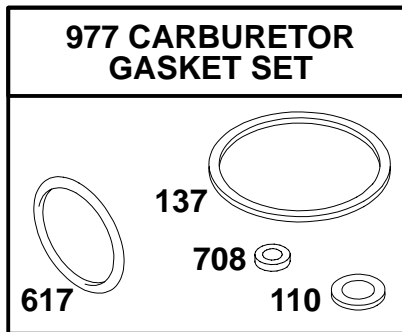
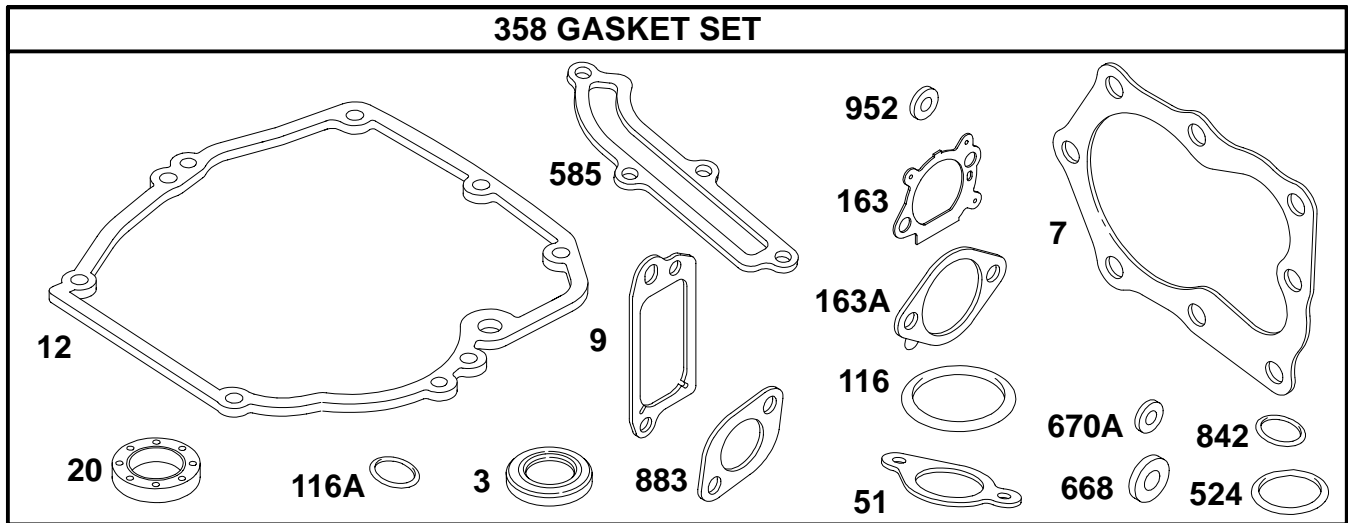


REF. NO.	PART NO.	DESCRIPTION	REF. NO.	PART NO.	DESCRIPTION	REF. NO.	PART NO.	DESCRIPTION
22A	94268	Screw-Hex. Head	782	281127	Gear-Starter (Used After Code Date 90063000).	802	492922	Cap-End
74	93490	Screw-Sem			<b>Note</b>	803	492920	Housing-Starter
309	494233	Motor-Starter			494146 Pinion-Starter (Includes Spline) (Used Before Code Date 90070100).	937	281125	Spline-Starter (Used After Code Date 90063000).
310	94553	Bolt-Thru						<b>Note</b>
510	494147	Drive-Starter	783	261606	Gear-Starter			494146 Spline-Starter (Includes Pinion) (Used Before Code Date 90070100).
513	394815	Clutch-Drive	784	224262	Cover-Gear	938	93941	Retainer-Lock
544	492921	Armature-Starter	785	272201	Gasket-Cover			
548	492919	Washer Set	801	492335	Cap-Drive			

★ Included in Gasket Set-See Ref.358.  
● Included in Carburetor Kit-See Ref. 121.

◆ Included in Carburetor Gasket Set-See Ref. 977.

# 121700 to 121799



REF. NO.	PART NO.	DESCRIPTION	REF. NO.	PART NO.	DESCRIPTION	REF. NO.	PART NO.	DESCRIPTION
3	★393862	Seal—Oil			(Used Before Code Date 90060400 on Carb. I.D. No. M26).	163	★272653	Gasket—Air Cleaner
7	★272200	Gasket—Cylinder Head				163A	★272296	Gasket—Air Cleaner
9	★272481	Gasket—Breather				358	496117	Gasket Set (Used After Code Date 93080100).
9A	★272238	Gasket—Breather	121	493762	Carburetor Kit (Used After Code Date 90060300 and Before Code Date 90060400 on Carb. I.D. No. M24)			<b>Note</b> 493263 Gasket Set (Used Before Code Date 93080200).
12	★272198	Gasket—Crankcase						
20	★399781	Seal—Oil						
52	★272199	Gasket—Intake Elbow						
104	●231371	Pin—Float Hinge						
116	◆	Gasket—Sealing (Sold in Kit Only)						
118	●493765	Valve Kit—Needle (Used After Code Date 90060300 and Before Code Date 90060400 on Carb. I.D. No. M24).						
		<b>Note</b> 492945 Valve Kit—Needle						
			127	●	Plug—Welch (Sold in Kit Only)			
			134	●398188	Valve—Needle (Includes Seat)			
			137	◆	Gasket—Float Bowl (Sold in Kit Only)			
						670A	★493823	Spacer (Includes 2)
						842	★280966	Seal—Cap
						883	★272253	Gasket—Exhaust Pipe
						977	490937	Gasket Set—Carburetor

★ Included in Gasket Set—See Ref. 358.  
● Included in Carburetor Kit—See Ref. 121.

◆ Included in Carburetor Gasket Set—See Ref. 977.