



Illustrated Parts List

Model Series

117400

TYPE NUMBERS
0036 Through 0623.

TABLE OF CONTENTS

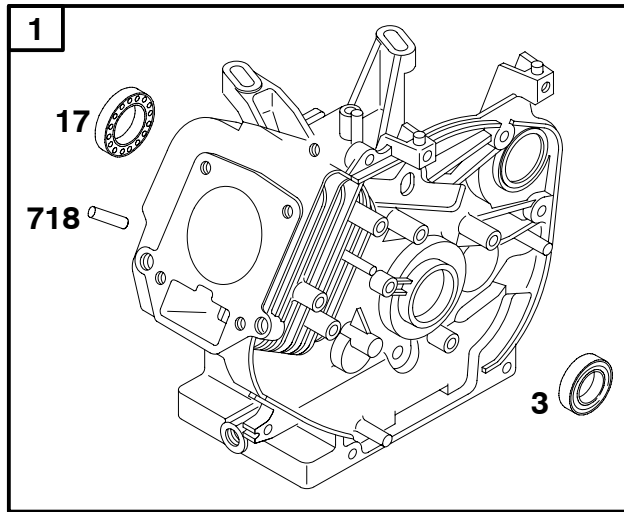
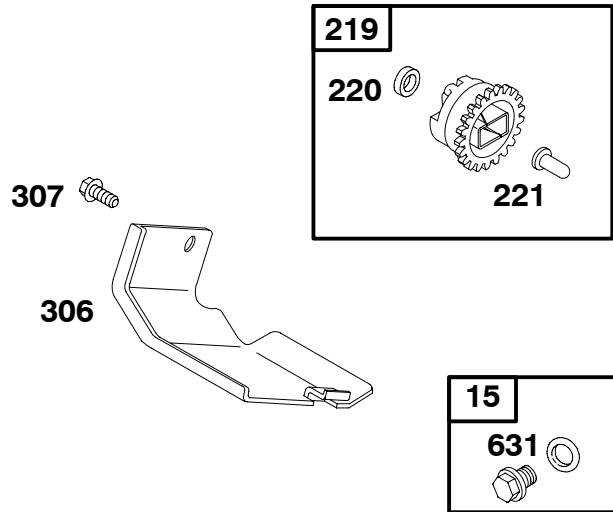
Air Cleaner	7
Alternator	6
Blower Housing	10
Camshaft	5
Carburetor	8
Controls	9
Control Panel	10
Crankcase Cover	4
Crankshaft	5
Cylinder	2
Cylinder Head	3
Electric Starter	15
Exhaust System	13
Flywheel	6
Fuel Supply	11
Gasket Set - Engine	2
Gasket Set - Valve	3
Governor Spring	9
Ignition	6
Kit - Carburetor Overhaul	8
Oil Sensor Group	14
Piston, Rings, Connecting Rod	2
Rewind Starter	12
Valves	3

PRINTED IN U.S.A.



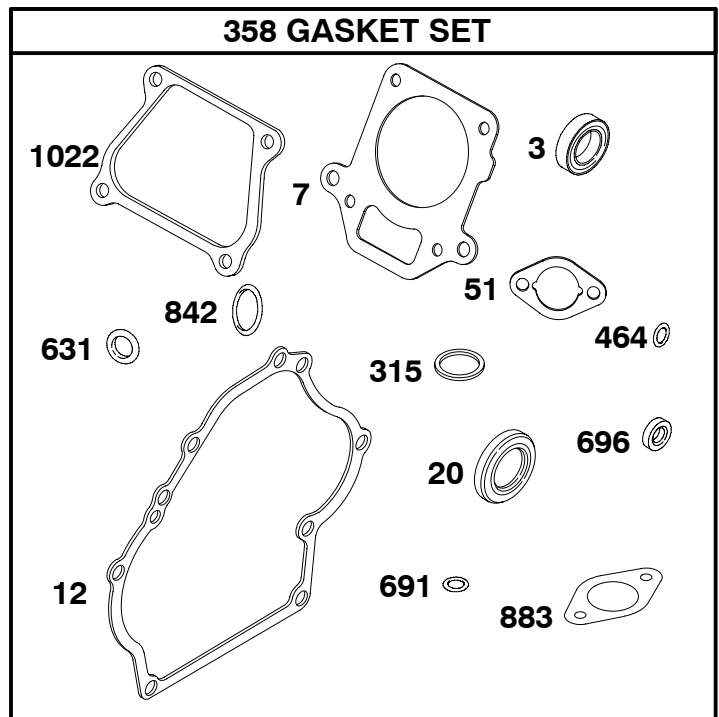
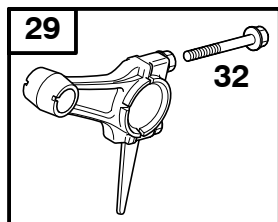
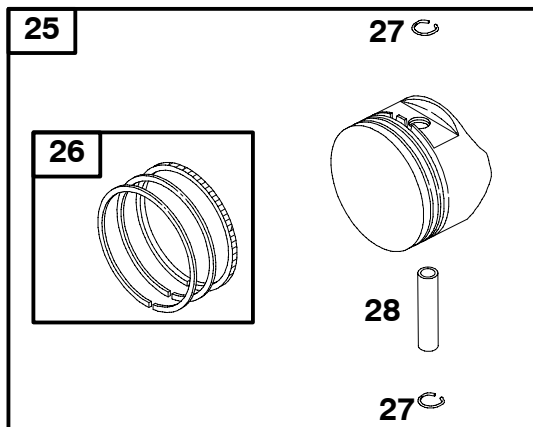
COPYRIGHT by BRIGGS & STRATTON CORPORATION
All rights reserved. No part of this material may be reproduced or transmitted, in any form or by any means, electronic or mechanical, including photocopying, recording or by any information storage and retrieval system, without permission in writing from Briggs & Stratton Corporation.

117400



1019 LABEL KIT

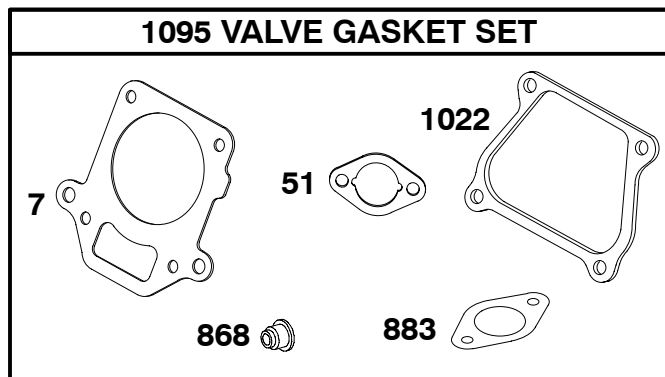
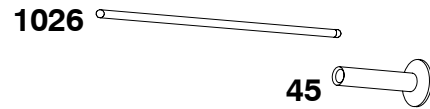
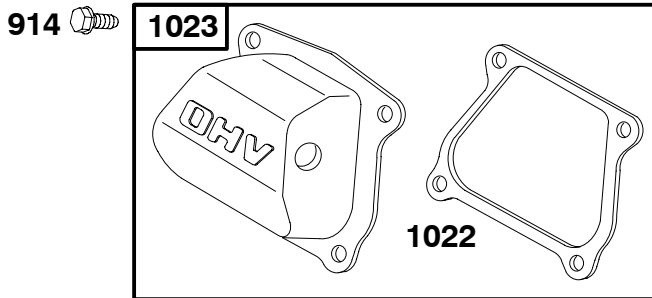
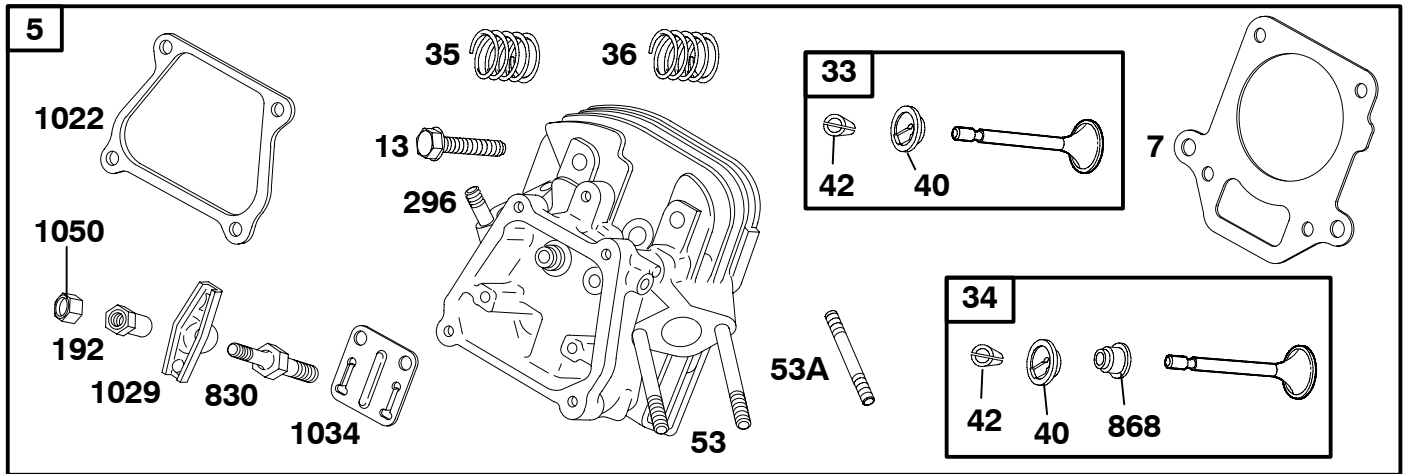
1058 OWNER'S MANUAL



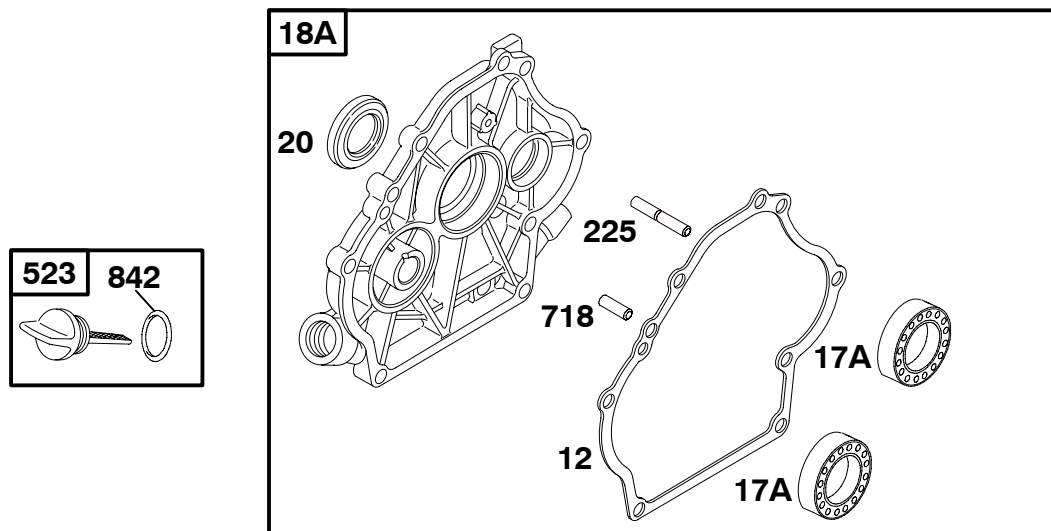
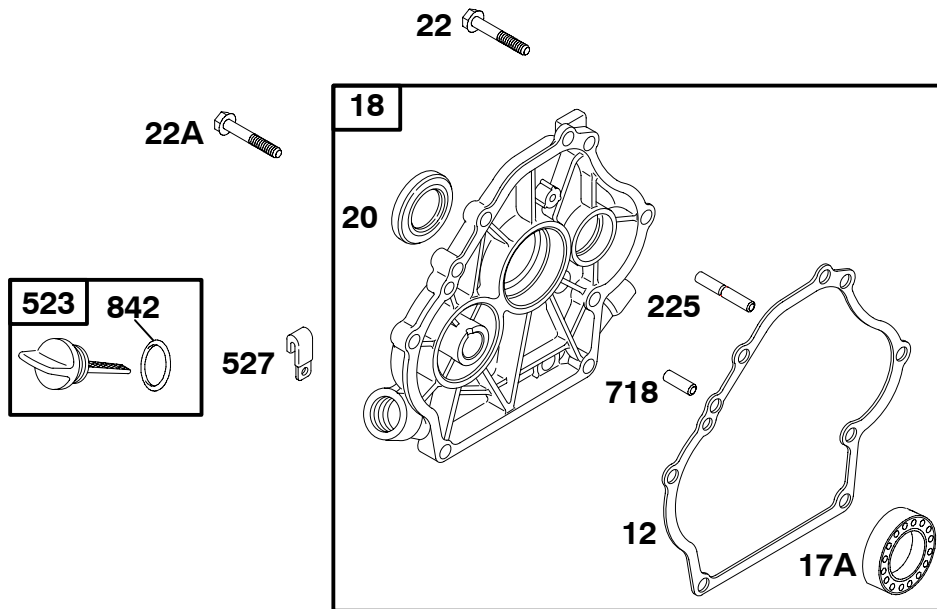
Illustrations cover a range of engines. Parts shown without corresponding text may not be used on your specific engine.
2096-2

Assemblies include all parts shown in frames.

10/06/2005

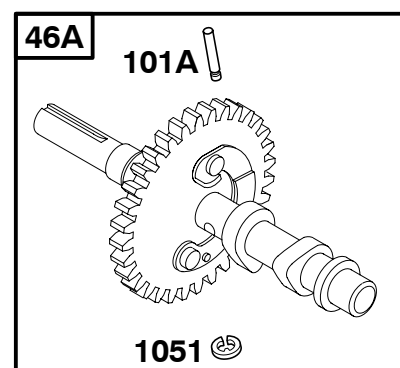
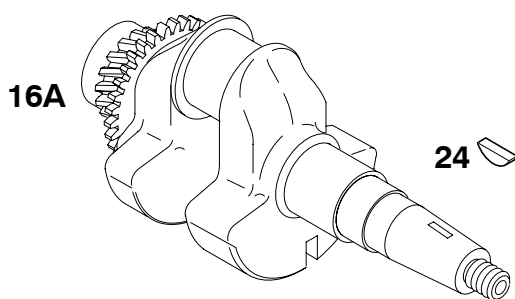
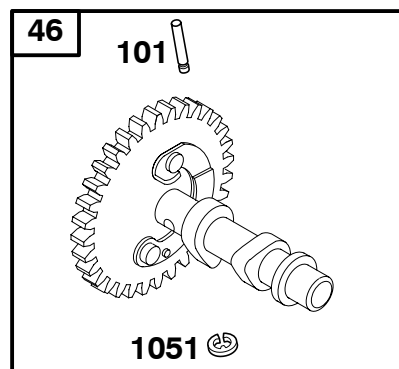
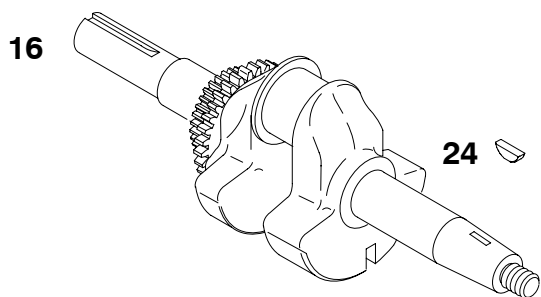


117400

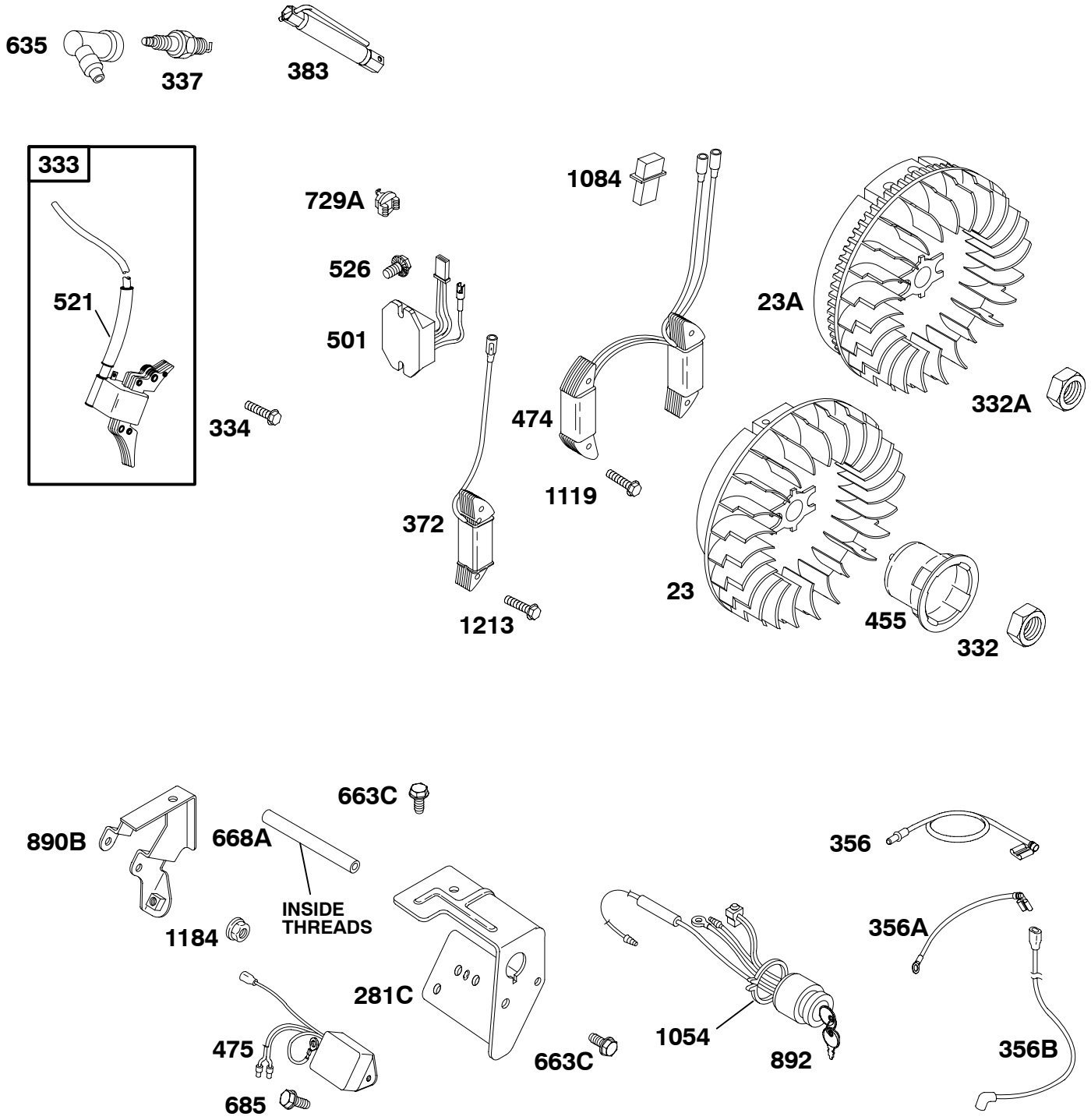


Illustrations cover a range of engines. Parts shown without corresponding text may not be used on your specific engine.
2096-4 Assemblies include all parts shown in frames.

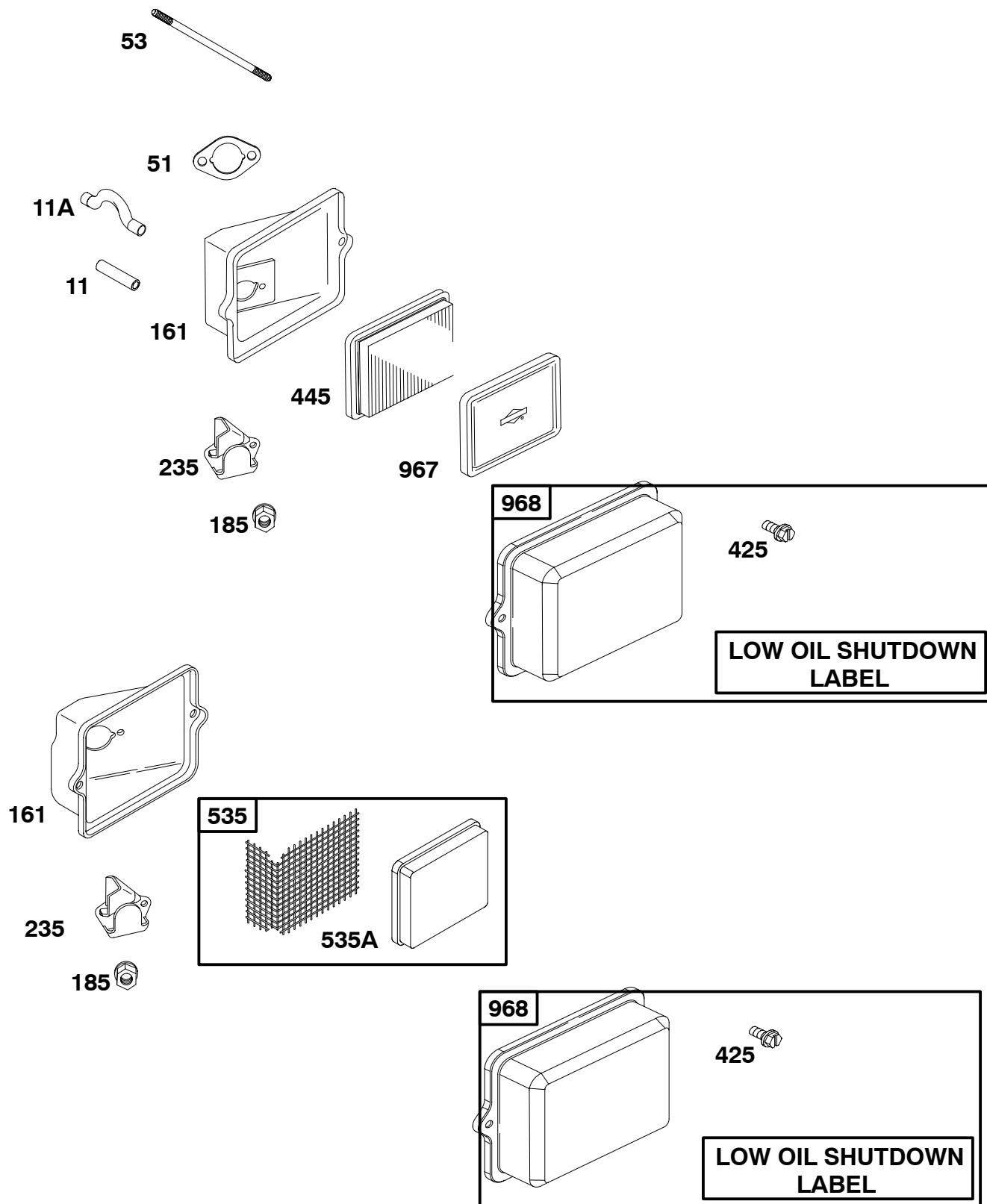
10/06/2005



117400



Illustrations cover a range of engines. Parts shown without corresponding text may not be used on your specific engine.
 2096-6 Assemblies include all parts shown in frames. 10/06/2005

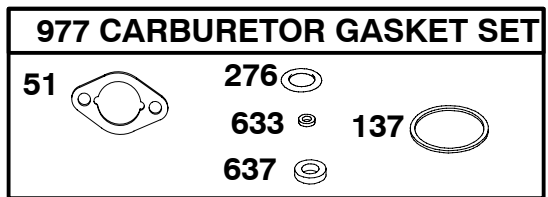
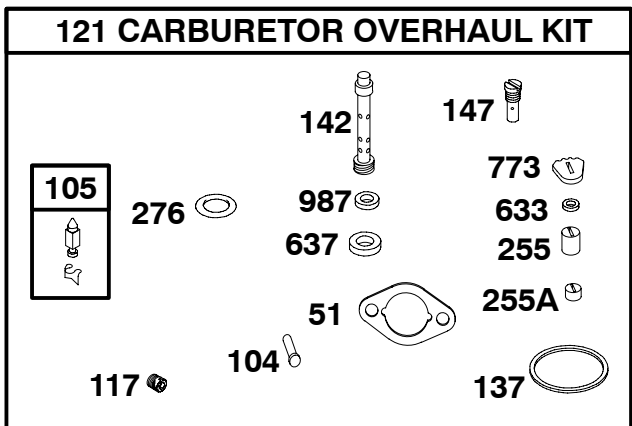
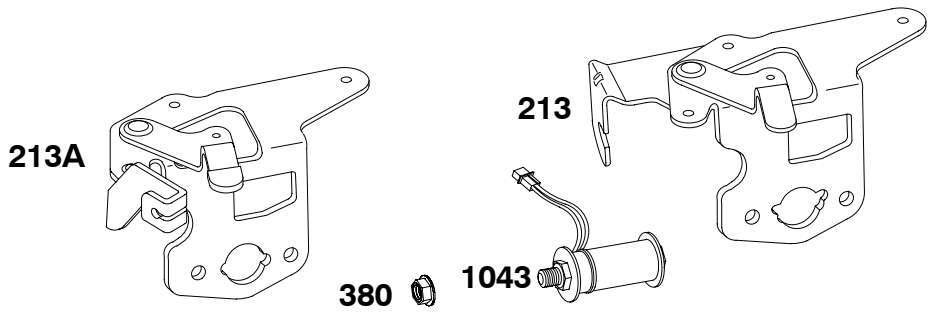
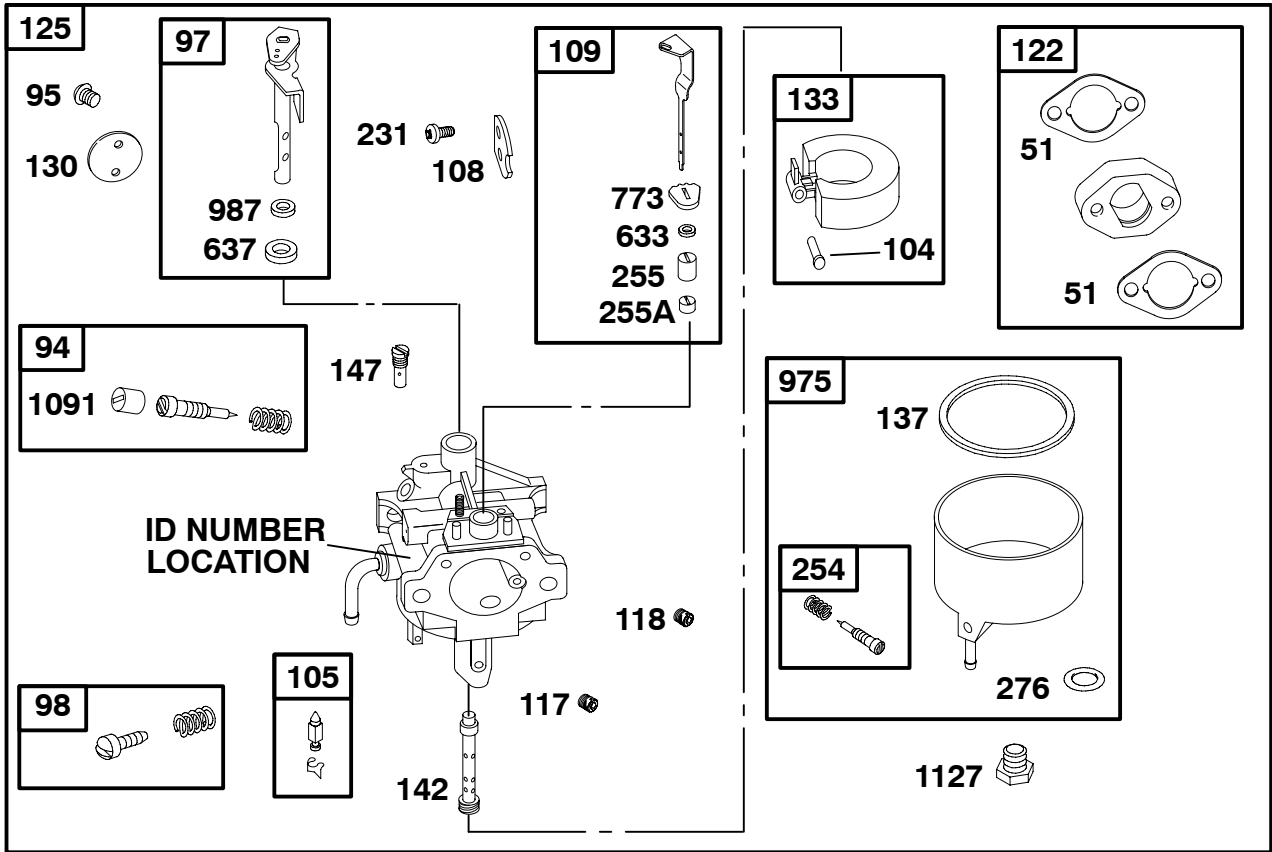


Illustrations cover a range of engines. Parts shown without corresponding text may not be used on your specific engine.
2096-7

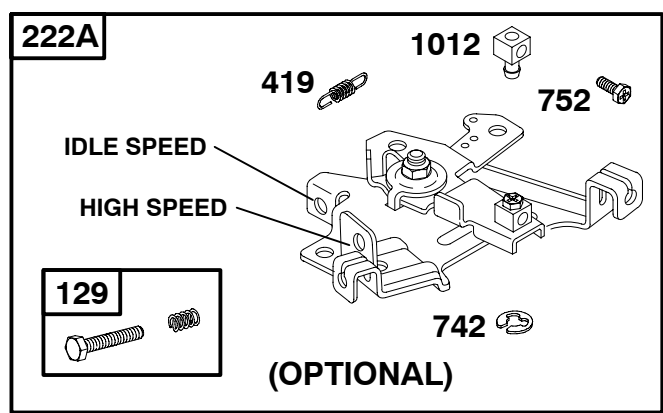
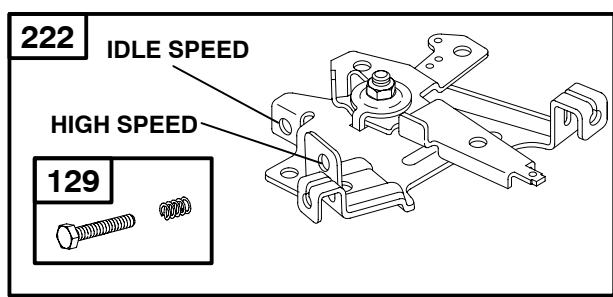
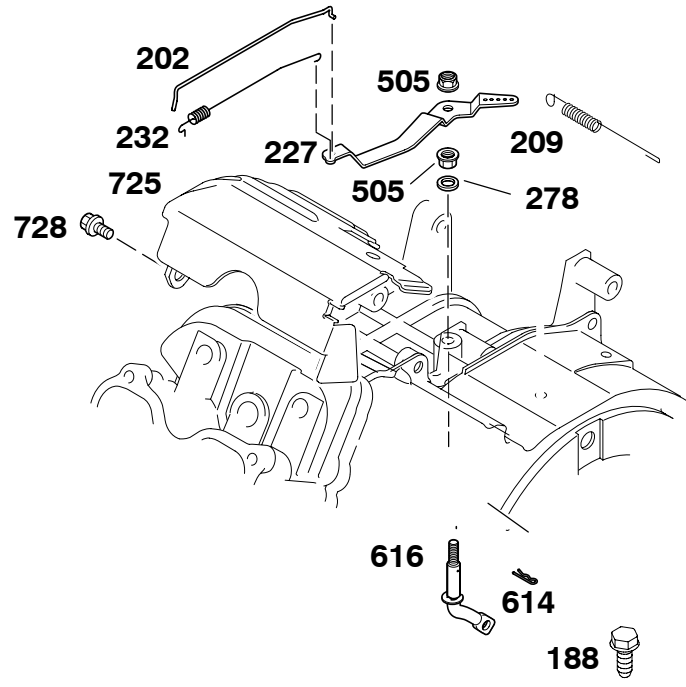
Assemblies include all parts shown in frames.

10/06/2005

117400

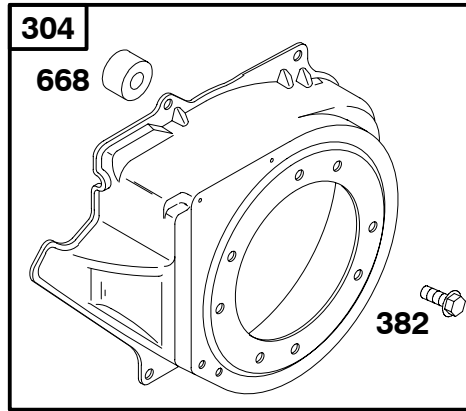


Illustrations cover a range of engines. Parts shown without corresponding text may not be used on your specific engine. 2096-8 Assemblies include all parts shown in frames.



Illustrations cover a range of engines. Parts shown without corresponding text may not be used on your specific engine.
2096-9 Assemblies include all parts shown in frames.

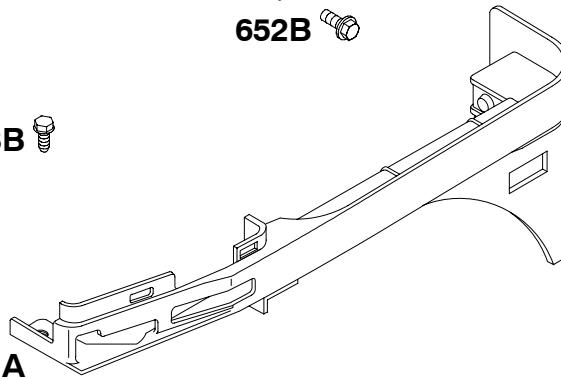
117400



305



281A

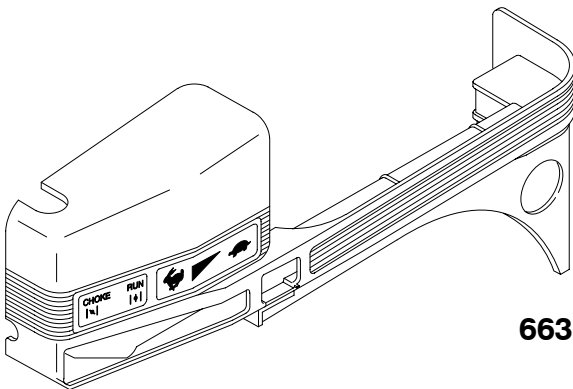


356B

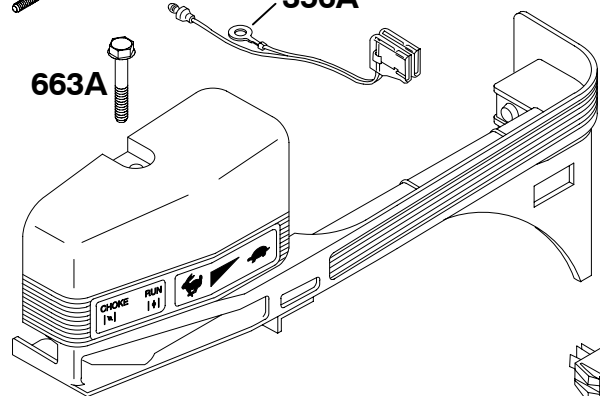
356A



281B



281



347

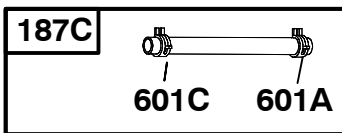
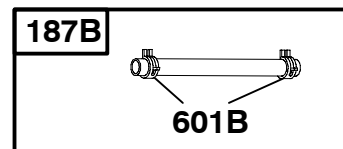
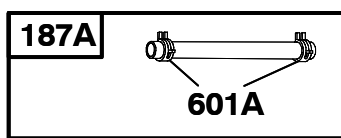
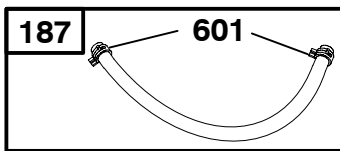
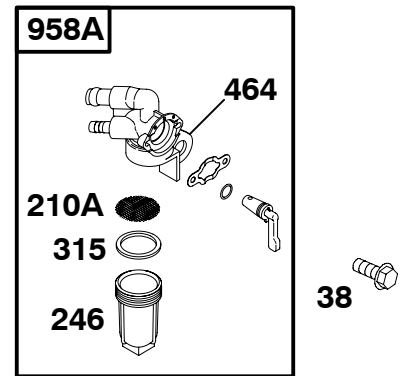
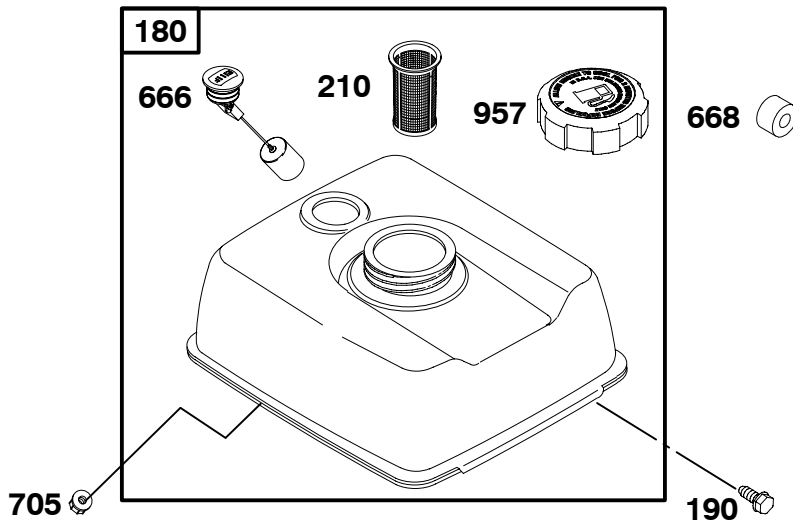
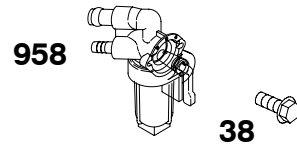


1036 EMISSIONS LABEL

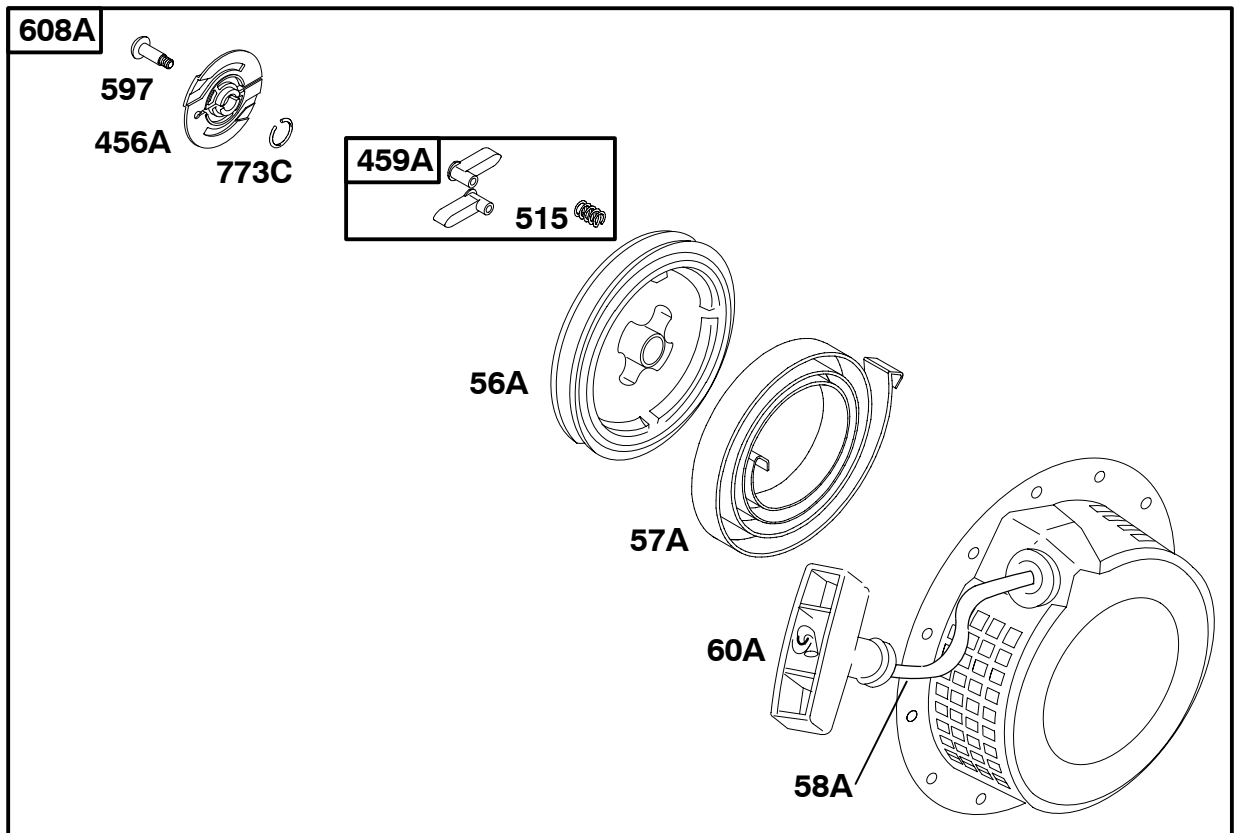
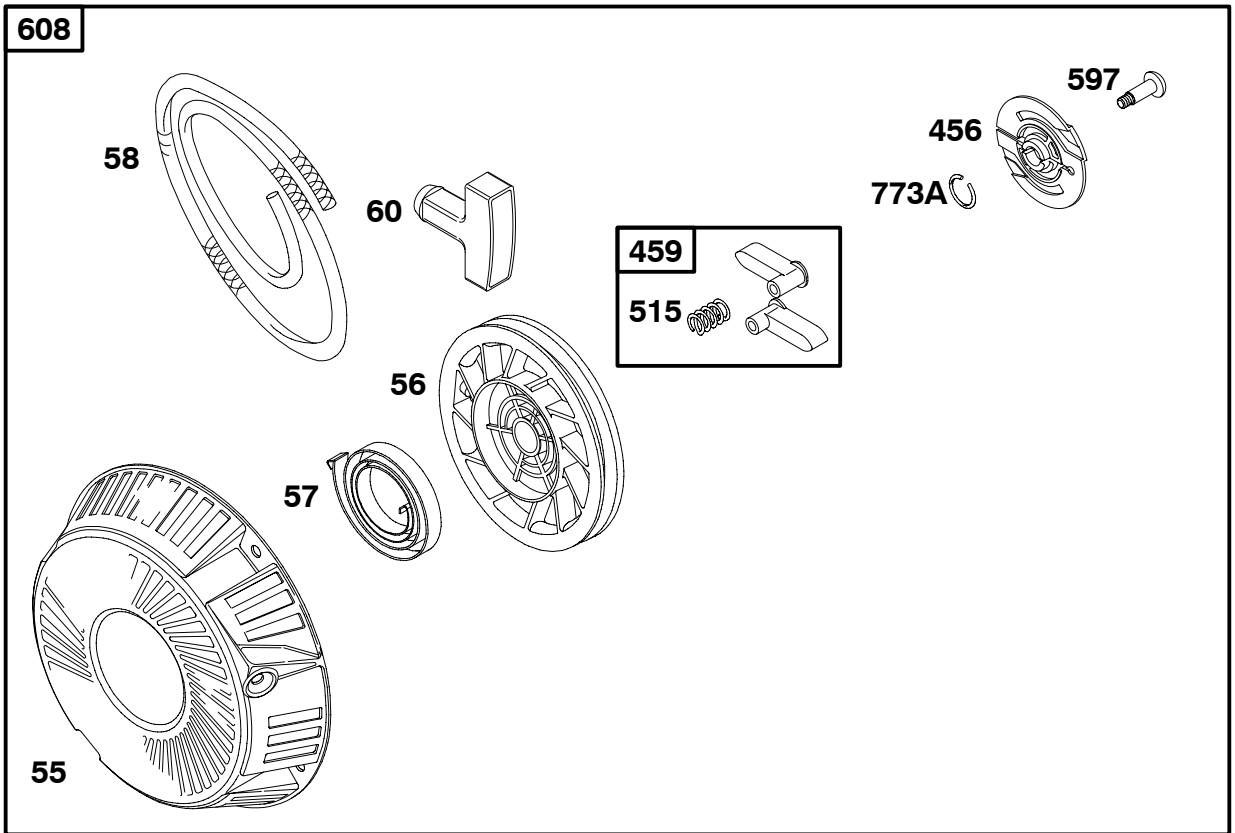
Illustrations cover a range of engines. Parts shown without corresponding text may not be used on your specific engine.
2096-10

Assemblies include all parts shown in frames.

10/06/2005



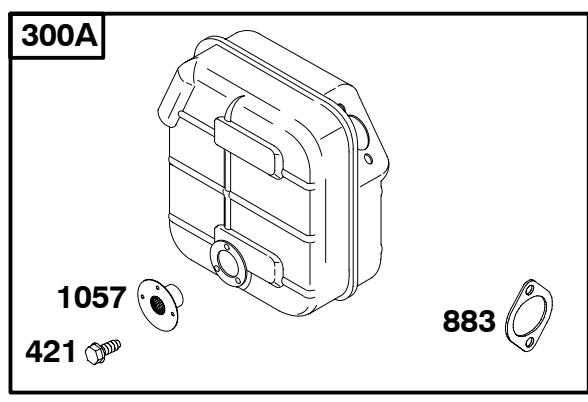
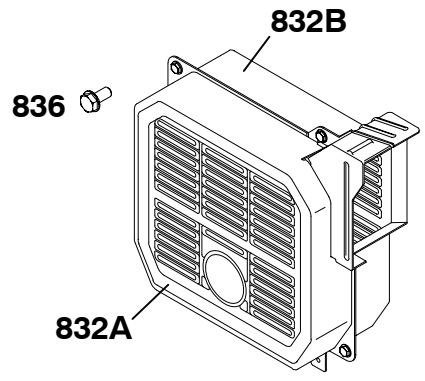
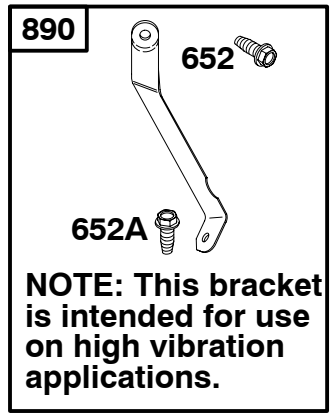
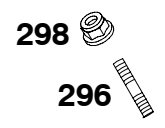
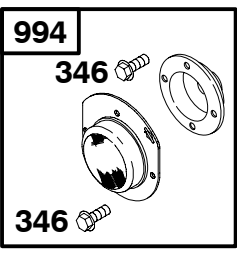
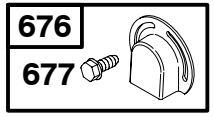
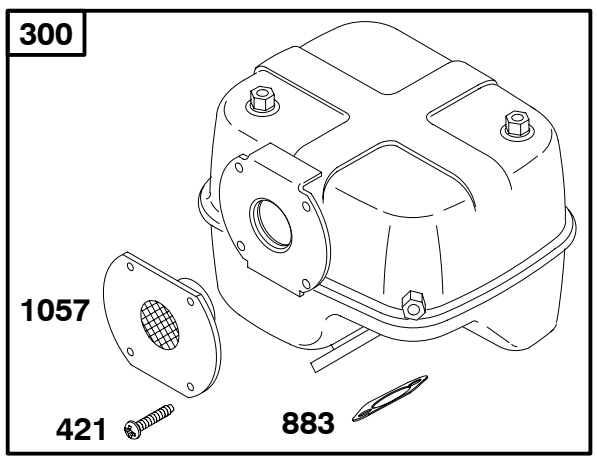
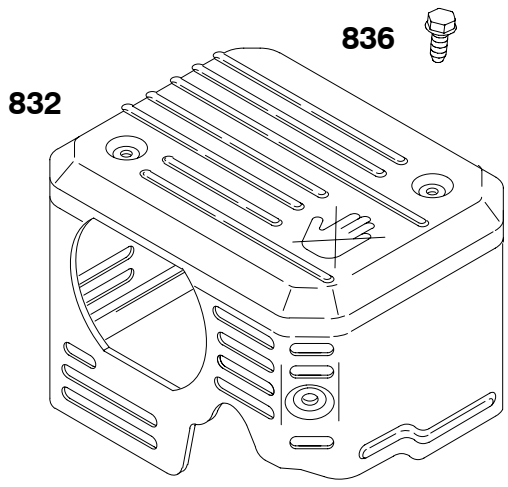
117400



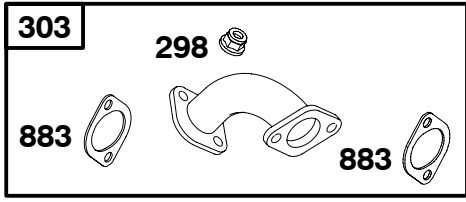
Illustrations cover a range of engines. Parts shown without corresponding text may not be used on your specific engine.
2096-12

Assemblies include all parts shown in frames.

10/06/2005

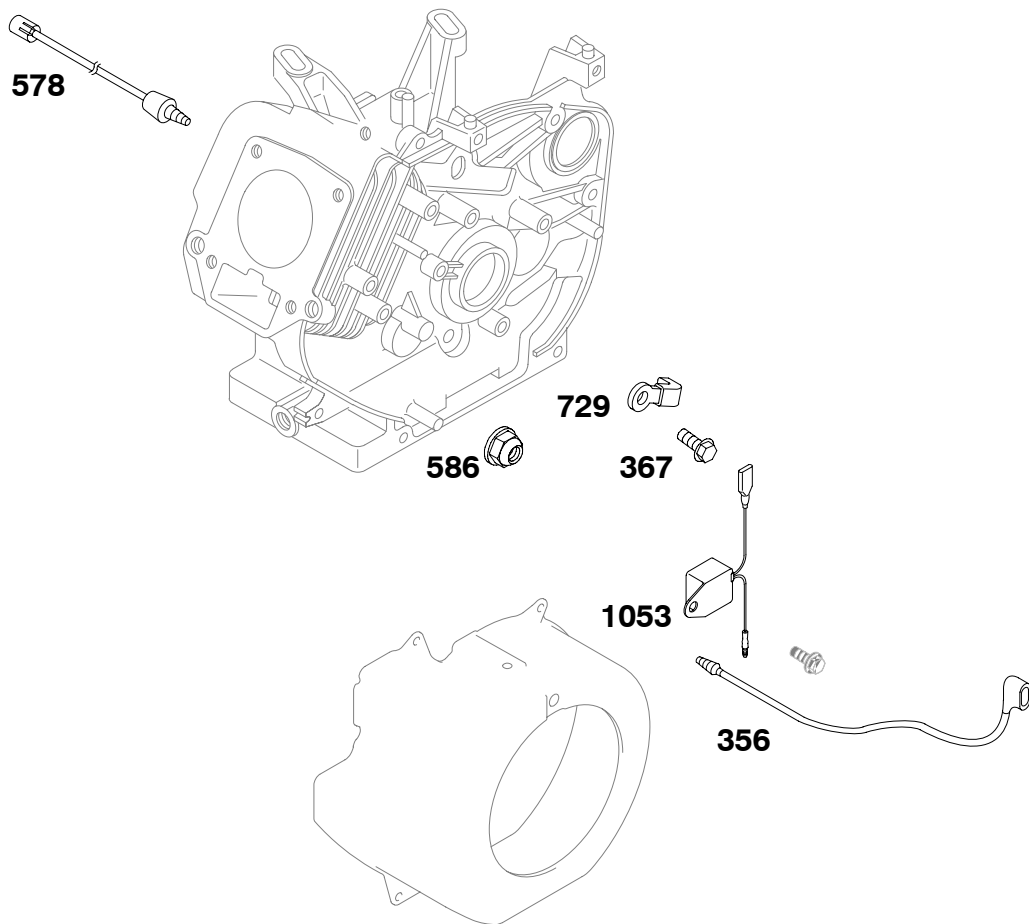
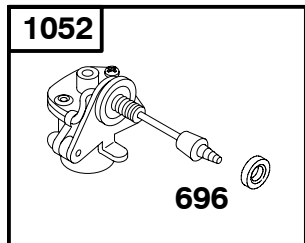


NOTE: This muffler is intended for replacement purposes only and is not to be used for retrofitting to engines with different exhaust systems.



Illustrations cover a range of engines. Parts shown without corresponding text may not be used on your specific engine. 2096-13 Assemblies include all parts shown in frames. 10/06/2005

117400

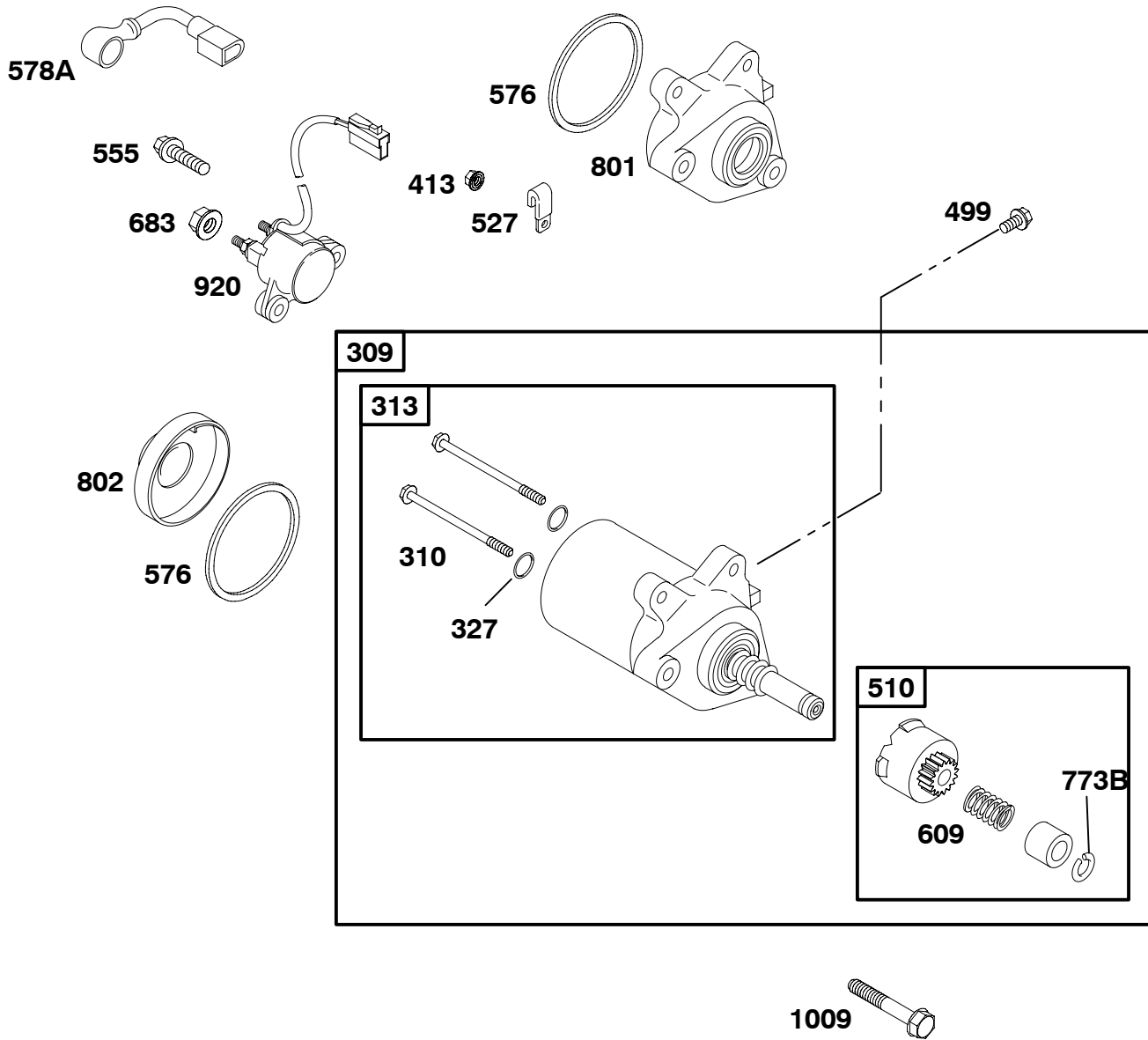


Illustrations cover a range of engines. Parts shown without corresponding text may not be used on your specific engine.

2096-14

Assemblies include all parts shown in frames.

10/06/2005



Illustrations cover a range of engines. Parts shown without corresponding text may not be used on your specific engine.
2096-15

Assemblies include all parts shown in frames.

10/06/2005

117400

REF. NO.	PART NO.	DESCRIPTION	REF. NO.	PART NO.	DESCRIPTION	REF. NO.	PART NO.	DESCRIPTION			
1	715001	Cylinder Assembly Used on Type No(s). 0036, 0101, 0102, 0135, 0194, 0197, 0235, 0236, 0238, 0242, 0247, 0260, 0281, 0501, 0502, 0505, 0530, 0550, 0551, 0553, 0558, 0583, 0586, 0592, 0597, 0604, 0608, 0612, 0614, 0622, 0623. ----- Note ----- 715300 Cylinder Assembly Used on Type No(s). 0134, 0135, 0155, 0189, 0190, 0192, 0193, 0196, 0198, 0256, 0504, 0535, 0552, 0555, 0582, 0594, 0603, 0605, 0606, 0616. 715301 Cylinder Assembly Used on Type No(s). 0239, 0595, 0596, 0600, 0613.	15	715000	Plug–Oil Drain	18A	715699	Cover–Crankcase Used on Type No(s). 0101, 0135, 0189, 0192, 0197, 0501, 0504, 0535, 0582.			
3	710000	Seal–Oil (Magneto Side)	16	715240	Crankshaft (SAE 3/4" Threaded) Used on Type No(s). 0036, 0134, 0155, 0190, 0193, 0196, 0236, 0239, 0242, 0247, 0256, 0505, 0530, 0555, 0558, 0594, 0605, 0606, 0608, 0622. ----- Note ----- 715238 Crankshaft (SAE 3/4" Threaded) Used on Type No(s). 0550, 0553, 0600. 715239 Crankshaft (SAE 5/8 Inch Thread) Used on Type No(s). 0235, 0239, 0551, 0596. 715241 Crankshaft (SAE Taper) Used on Type No(s). 0238, 0281, 0552, 0583, 0586, 0592, 0595, 0604, 0612, 0613, 0614, 0623. 715243 Crankshaft (SAE Keyway 7/8") Used on Type No(s). 0260. 715351 Crankshaft (JIS Keyway) Used on Type No(s). 0102, 0194, 0198, 0502, 0616. 715701 Crankshaft (SAE Step and Thread) Used on Type No(s). 0597.	20	710031	Seal–Oil (PTO Side)	22	710032	Screw (Crankcase Cover/Sump)(Crankca se Cover/Sump)
5	715004	Head–Cylinder	16A	715044	Crankshaft (2:1 Gear Reduction) Used on Type No(s). 0101, 0135, 0189, 0192, 0197, 0501, 0504, 0535, 0582.	22A	710306	Screw (Crankcase Cover/Sump)(Crankca se Cover/Sump)			
7	710021	Gasket–Cylinder Head	17	710003	Bearing–Ball	23	710043	Flywheel ----- Note ----- 710128 Flywheel Used on Type No(s). 0101, 0135, 0189, 0192, 0197, 0501, 0504, 0535, 0582. 710897 Flywheel Used on Type No(s). 0155, 0555. 715702 Flywheel Used on Type No(s). 0242. 715260 Flywheel Used on Type No(s). 0558.			
11	710115	Tube–Breather	17A	710594	Bearing–Ball (Quantity 2)	23A	715302	Flywheel Used on Type No(s). 0239, 0595, 0596, 0600, 0613.			
11A	710450	Tube–Breather Used on Type No(s). 0281.	18	715697	Cover–Crankcase	24	710037	Key–Flywheel			
12	710036	Gasket–Crankcase	18	715698	Cover–Crankcase Used on Type No(s). 0102, 0194, 0198, 0502, 0616.	25	716138	Piston Assembly (Standard) ----- Note ----- 716139 Piston Assembly (0.50mm Oversize)			
13	710020	Screw (Cylinder Head)				26	715016	Ring Set (Standard) ----- Note ----- 715018 Ring Set (0.50mm Oversize)			
						27	710040	Lock–Piston Pin			
						28	715455	Pin–Piston (Standard)			
						29	715011	Rod–Connecting (Standard) ----- Note ----- 715012 Rod–Connecting (0.50MM Undersize)			

★ Included in Engine Gasket Set–Ref. No.358.

● Included in Carburetor Overhaul Kit–Ref. No. 121.

◆ Included in Carburetor Gasket Set–Ref. No. 977.

△ Included in Valve Gasket Set–Ref. No 1095.

Illustrations cover a range of engines. Parts shown without corresponding text may not be used on your specific engine.

117400

REF. NO.	PART NO.	DESCRIPTION	REF. NO.	PART NO.	DESCRIPTION	REF. NO.	PART NO.	DESCRIPTION
32	710041	Screw (Connecting Rod)	95	710722	Screw (Throttle Valve)	129	715024	Screw/Spring-Govern or Speed
33	715002	Valve-Exhaust	97	715141	Shaft-Throttle			----- Note -----
34	716145	Valve-Intake (Used After Code Date 03013000)	98	715074	Kit-Idle Speed			715170
		----- Note -----	101	710616	Pin-Shaft			Screw/Spring-Govern or Speed
		715003 Valve-Intake (Used Before Code Date 03013100)	101A	710340	Pin-Shaft Used on Type No(s). 0101, 0135, 0189, 0192, 0197, 0501, 0504, 0535, 0582.			Used on Type No(s). 0135, 0238, 0281, 0501, 0582, 0583, 0592, 0595.
35	710011	Spring-Valve (Intake)	104	710195	Pin-Float Hinge	130	710290	Valve-Throttle
36	710011	Spring-Valve (Exhaust)	105	716099	Valve-Float Needle (Used After Code Date 04092300)	133	715079	Float-Carburetor
38	710160	Screw (Shut Off Valve)(Fuel Shut Off Valve)			----- Note -----	137	711857	Gasket-Float Bowl
40	710012	Retainer-Valve			715075 Valve-Float Needle (Used Before Code Date 04092400)	142	710286	Nozzle-Carburetor (Standard)
42	715130	Keeper-Valve						----- Note -----
45	710008	Tappet-Valve	108	710178	Valve-Choke			710894
46	715250	Camshaft	109	715140	Shaft-Choke			Nozzle-Carburetor (Standard)(Carburetor Identification Number G188AA)
46A	715045	Camshaft Used on Type No(s). 0101, 0135, 0189, 0192, 0197, 0501, 0504, 0535, 0582.	117	710649	Jet-Main (Standard)	147	710188	Jet-Pilot
51	710060	Gasket-Intake	118	710782	Jet-Main (High Altitude)			----- Note -----
53A	710148	Stud (Carburetor)			----- Note -----	161	710521	Base-Air Cleaner (Metal)
55	715132	Housing-Rewind Starter			710895 Jet-Main (High Altitude)(Carburetor Identification Number G188AA)	180	715306	Tank-Fuel (Metal)
		----- Note -----	121	716143	Kit-Carburetor Overhaul (Used After Code Date 04092300)	185	710068	Nut (Air Cleaner Base)
		711859			----- Note -----	187	716126	Line-Fuel (8mm Inside Diameter)(Cut To Required Length) (Used After Code Date 05071700)
		Housing-Rewind Starter Used on Type No(s). 0101, 0135, 0189, 0192, 0197, 0501, 0504, 0535, 0582.			715437 Kit-Carburetor Overhaul (Used Before Code Date 04092400)			----- Note -----
56	710274	Pulley-Starter	122	715034	Spacer-Carburetor			715125 Line-Fuel (8mm Inside Diameter)(Cut To Required Length) (Used Before Code Date 05071800)
56A	711853	Pulley-Starter	125	715520	Carburetor			
57	710270	Spring-Rewind Starter			----- Note -----			
57A	711855	Spring-Rewind Starter			715656 Carburetor (Carburetor Identification Number GE18BA) Used on Type No(s). 0281.			
58	66574	Rope-Starter (Cut To Required Length)						
58A	711850	Rope-Starter (Cut To Required Length)						
60	490652	Grip-Starter Rope						
60A	711852	Grip-Starter Rope						
65	710074	Screw (Rewind Starter)						
94	715293	Kit-Idle Mixture (Used Before Code Date 04092400)						

★ Included in Engine Gasket Set-Ref. No.358.

● Included in Carburetor Overhaul Kit-Ref. No. 121.

◆ Included in Carburetor Gasket Set-Ref. No. 977.

△ Included in Valve Gasket Set-Ref. No 1095.

Illustrations cover a range of engines. Parts shown without corresponding text may not be used on your specific engine.

117400

REF. NO.	PART NO.	DESCRIPTION	REF. NO.	PART NO.	DESCRIPTION	REF. NO.	PART NO.	DESCRIPTION
187A	715730	Line–Fuel (4mm Inside Diameter)(Cut to Required Length) (Used Before Code Date 05071800)	210	710065	Strainer–Fuel	281	711866	Panel–Control (Used After Code Date 03063000)
187B	791766	Line–Fuel (1/4 Inch Inside Diameter)(Cut To Required Length) (Used After Code Date 05071700)	213	710499	Bracket–Choke Control			Used on Type No(s). 0036, 0102, 0134, 0155, 0190, 0193, 0194, 0196, 0236, 0622.
		----- Note -----	213A	710500	Bracket–Choke Control Used on Type No(s). 0281.			----- Note -----
		691050 Line–Fuel (1/4 Inch Inside Diameter)(Cut To Required Length) (Used Before Code Date 05071800)	219	715696	Gear–Governor			715313 Panel–Control (Used Before Code Date 03070100)
187C	716122	Line–Fuel (4mm Inside Diameter)(Cut to Required Length) (Used After Code Date 05071700)	220	710545	Washer (Governor Gear)			Used on Type No(s). 0198, 0235, 0236, 0238, 0247, 0260, 0502, 0505, 0550, 0551, 0553, 0555, 0583, 0586, 0594, 0597, 0603, 0605, 0606.
		----- Note -----	221	710027	Cup–Governor	281A	711868	Panel–Control (Used After Code Date 03063000)
188	710057	Screw (Control Bracket)	222	715025	Bracket–Control ----- Note ----- 715747 Bracket–Control Used on Type No(s). 0583, 0586, 0595, 0614, 0623. 715046 Bracket–Control Used on Type No(s). 0101, 0135, 0238, 0281, 0501, 0504, 0535, 0582, 0583, 0592, 0595, 0604, 0612, 0613.			Used on Type No(s). 0281, 0604, 0608.
190	710023	Screw (Fuel Tank)	222A	715676	Bracket–Control Used on Type No(s). 0603.			----- Note -----
192	710015	Adjuster–Rocker Arm			----- Note -----	281B	711867	Panel–Control (Used After Code Date 03063000)
202	710052	Link–Mechanical Governor			715296 Bracket–Control Used on Type No(s). 0530.			Used on Type No(s). 0281, 0608.
209	710725	Spring–Governor ----- Note -----	225	710028	Shaft–Governor Gear			Used on Type No(s). 0239, 0595, 0596, 0600.
		710726 Spring–Governor Used on Type No(s). 0101, 0135, 0238, 0281, 0501, 0535, 0582.	227	710051	Lever–Governor Control			715314 Panel–Control (Used Before Code Date 03070700)
		710727 Spring–Governor Used on Type No(s). 0583, 0586, 0592, 0595, 0604, 0612, 0613, 0614, 0623.	231	710191	Screw (Choke Valve)			Used on Type No(s). 0239.
		710728 Spring–Governor Used on Type No(s). 0550, 0551, 0596, 0597, 0600, 0605.	232	710053	Spring–Governor Link	281C	710479	Panel–Control
		711651 Spring–Governor Used on Type No(s). 0193.	235	710522	Shield–Fuel Spray	296	710099	Stud (Muffler)
			240	298090	Filter–Fuel			Locknut–Muffler/Elbow (Low Mount)
			246	710070	Bowl–Fuel Filter	298	710090	
			254	716110	Drain–Carburetor Bowl	300A	715602	
			255A	710179	Bushing–Choke Shaft			
			276	711319	Washer–Sealing			
			278	710058	Washer (Governor Control Lever)			

★ Included in Engine Gasket Set–Ref. No.358.

● Included in Carburetor Overhaul Kit–Ref. No. 121.

◆ Included in Carburetor Gasket Set–Ref. No. 977.

△ Included in Valve Gasket Set–Ref. No 1095.

Illustrations cover a range of engines. Parts shown without corresponding text may not be used on your specific engine.

117400

REF. NO.	PART NO.	DESCRIPTION	REF. NO.	PART NO.	DESCRIPTION	REF. NO.	PART NO.	DESCRIPTION
303	715604	Elbow-Exhaust (Low Mount)	383	19374	Wrench-Spark Plug	527	710100	Clamp-Tube
304	715213	Housing-Blower ----- Note ----- 715212 Housing-Blower Used on Type No(s). 0101, 0135, 0189, 0192, 0197, 0501, 0504, 0535, 0582. 715703 Housing-Blower Used on Type No(s). 0242.	413	710081	Nut (Starter Motor)	535	715511	Filter-Air Cleaner Foam
305	710023	Screw (Blower Housing)	419	710475	Spring-Return	535A	691315	Filter-Air Cleaner Foam
306	710063	Shield-Cylinder	421	710307	Screw (Outlet Screen)	555	710845	Screw (Starter Solenoid)
307	710023	Screw (Cylinder Shield)	425	694515	Screw (Air Cleaner Cover)	576	710834	Seal-O Ring (Starter Sub Assembly)
309	715633	Motor-Starter	445	491588	Filter-Air Cleaner Cartridge	578	710308	Wire Assembly (Oil Sensor)
310	710838	Screw (Starter Motor)	455	710277	Cup-Flywheel ----- Note ----- 710366 Cup-Flywheel Used on Type No(s). 0101, 0135, 0189, 0192, 0197, 0501, 0504, 0535, 0582.	578A	710847	Wire Assembly (Starter Solenoid)
313	715636	Starter Sub Assembly	456	710272	Plate-Pawl Friction	586	710090	Nut (Oil Sensor)
315	710072	Seal-O Ring (Filter Bowl)	456A	711854	Plate-Pawl Friction	597	690876	Screw (Pawl Friction Plate)
327	710841	Washer (Starter Sub Assembly)	459	715256	Pawl-Ratchet	601	710067	Clamp-Hose
332	710048	Nut (Flywheel)	459A	716897	Pawl-Ratchet	601A	711549	Clamp-Hose (Used After Code Date 05071700) ----- Note ----- 710075 Clamp-Hose (Used Before Code Date 05071800)
332A	710345	Nut (Flywheel) Used on Type No(s). 0239, 0595, 0596, 0600, 0613.	464	710069	Seal-O Ring (Fuel Shut-off Valve)	601B	711925	Clamp-Hose (Used After Code Date 05071700)
333	715023	Armature-Magneto	474	715255	Alternator Used on Type No(s). 0239, 0558, 0595, 0596, 0600, 0613. ----- Note ----- 715194 Alternator (10 Amp Regulator) Used on Type No(s). 0242.	601C	711917	Clamp-Hose (Used Before Code Date 05071800)
334	710047	Screw (Magneto Armature)	475	715200	Rectifier	608	715133	Starter-Rewind
337	491055	Plug-Spark	485	692295	Knob-Control	608A	715128	Starter-Rewind Used on Type No(s). 0101, 0135, 0189, 0192, 0197, 0501, 0504, 0535, 0582.
346	690661	Screw (Spark Arrestor)	499	710853	Screw (Starter Sub Assembly)	609	710828	Spring-Starter Drive
347	691995	Switch-Rocker	501	691185	Regulator Used on Type No(s). 0242.	614	710056	Pin-Cotter
356	710120	Wire-Stop	505	710059	Nut (Governor Control Lever)	616	710050	Crank-Governor
356A	710087	Wire-Stop	510	715634	Drive-Starter	631	710004	Washer (Oil Drain Plug)
358	715032	Gasket Set-Engine	515	691528	Spring-Pawl	633	NULL	Seal-Choke/Throttle Shaft
367	710023	Screw (Wire Clip)	521	710045	Shield-Cable	635	710634	Boot-Spark Plug
372	710896	Coil-Lighting Used on Type No(s). 0155, 0555.	523	715588	Dipstick	637	NULL	Washer
380	710081	Nut (Electro Magnet)	526	710057	Screw (Regulator)	652	710057	Screw (Support Bracket)
382	710160	Screw (Fuel Filter)						

★ Included in Engine Gasket Set-Ref. No.358.

● Included in Carburetor Overhaul Kit-Ref. No. 121.

◆ Included in Carburetor Gasket Set-Ref. No. 977.

△ Included in Valve Gasket Set-Ref. No 1095.

Illustrations cover a range of engines. Parts shown without corresponding text may not be used on your specific engine.

2096-19

Assemblies include all parts shown in frames.

10/06/2005

117400

REF. NO.	PART NO.	DESCRIPTION	REF. NO.	PART NO.	DESCRIPTION	REF. NO.	PART NO.	DESCRIPTION
652A	710248	Screw (Support Bracket)	832A	710793	Guard-Muffler (Low Mount)(Front)	1012	710855	Retainer-Link
652B	710023	Screw (Support Bracket)	832B	710794	Guard-Muffler (Low Mount)(Rear)	1019	715031	Kit-Label
663	710095	Screw (Control Panel)	836	710074	Screw (Muffler Guard)	1022	710024	Gasket-Rocker Cover
663A	710096	Screw (Control Panel)	842	710029	Seal-O Ring (Dipstick Tube)	1023	715005	Cover-Rocker
663B	710234	Screw (Control Panel)	868	711634	Seal-Valve (Used After Code Date 03013000)	1026	710013	Rod-Push
663C	710074	Screw (Control Panel)			----- Note -----	1029	710014	Arm-Rocker
666	710066	Gauge-Fuel			710979 Seal-Valve (Used Before Code Date 03013100)	1034	710017	Guide-Push Rod
668	710159	Spacer	883	710082	Gasket-Exhaust	1036		Label-Emissions (Available from an Authorized Briggs & Stratton Service Dealer)
668A	710443	Spacer	890	715319	Bracket-Support (Optional)	1043	692955	Magnet-Electro Used on Type No(s). 0281.
676	715230	Deflector-Muffler	890A	715136	Bracket-Support Used on Type No(s). 0281.	1050	710007	Nut (Rocker Arm)
677	710307	Screw (Muffler Deflector)	890B	710441	Bracket-Support	1051	710039	Ring-Retaining
683	710849	Nut (Starter Solenoid)	892	715199	Switch-Key (Includes Keys)	1052	715353	Sensor-Oil
685	710089	Screw (Rectifier)	914	710023	Screw (Rocker Cover)	1053	710305	Module-Oil Gard
691	710055	Seal-Governor Shaft	920	710843	Solenoid-Starter	1054	710349	Tie-Cable
696	710091	Seal-O Ring (Oil Sensor)	957	710490	Cap-Fuel Tank (Plastic)	1057	710329	Screen-Outlet
705	710068	Nut (Fuel Tank)	958	716111	Valve-Fuel Shut Off (Plastic) (Used After Code Date 04072900)	1058	MS6669	Operator's Manual
718	710005	Pin-Locating	958A	715027	Valve-Fuel Shut Off (Plastic) (Used Before Code Date 04073000)	1084	710386	Connector-Terminal Used on Type No(s). 0242.
725	710102	Shield-Heat	967	491435	Filter-Pre Cleaner	1091	710485	Cap-Limiter
728	710023	Screw (Heat Shield)	968	692321	Cover-Air Cleaner	1095	716118	Gasket Set-Valve (Used After Code Date 03013000)
729	710083	Clip-Wire	975	715050	Bowl-Float			----- Note -----
729A	710046	Clip-Wire	977	715081	Gasket Set-Carburetor			715704 Gasket Set-Valve (Used Before Code Date 03013100)
742	710477	Retainer-E Ring	987	710185	Seal-Throttle Shaft	1119	710047	Screw (Alternator)
752	710478	Screw (Link Retainer)	994	715491	Arrestor-Spark	1127	710197	Screw (Float Bowl)
773	710175	Retainer	1009	710348	Screw (Starter Motor)	1184	710068	Nut (Support Bracket)
773A	690875	Retainer				1213	710047	Screw (Lighting Coil)
773B	710830	Retainer						
773C	711225	Retainer						
801	710836	Cap-Drive (Includes Brush Set)						
802	710832	Cap-End						
830	710016	Stud-Rocker Arm						
832	710333	Guard-Muffler (High Mount)						

★ Included in Engine Gasket Set-Ref. No.358.

● Included in Carburetor Overhaul Kit-Ref. No. 121.

◆ Included in Carburetor Gasket Set-Ref. No. 977.

△ Included in Valve Gasket Set-Ref. No 1095.

Illustrations cover a range of engines. Parts shown without corresponding text may not be used on your specific engine.

2096-20

Assemblies include all parts shown in frames.

10/06/2005