

113400

Illustrated Parts List

Model Series

113400

TYPE NUMBERS
0035 through 0134.

For Use On Engines Built Before Date Code – 01083100

TABLE OF CONTENTS

Air Cleaner	8
Blower Housing/Shrouds	9
Cams	3
Carburetor	5
Controls	6
Controls	7
Crankcase Cover/Sump	2
Crankshaft	3
Cylinder	2
Electric Starter	10
Flywheel	9
Fuel Tank	6
Gear Reducer	10
Governor Spring	7
Head	4
Ignition	7
Kits/Gaskets – Carburetor	5
Kits/Gaskets – Engine	2
Kits/Gaskets – Valve	4
Muffler	8
Oil Group	10
Piston Group	3
Rewind	9
Valves	4

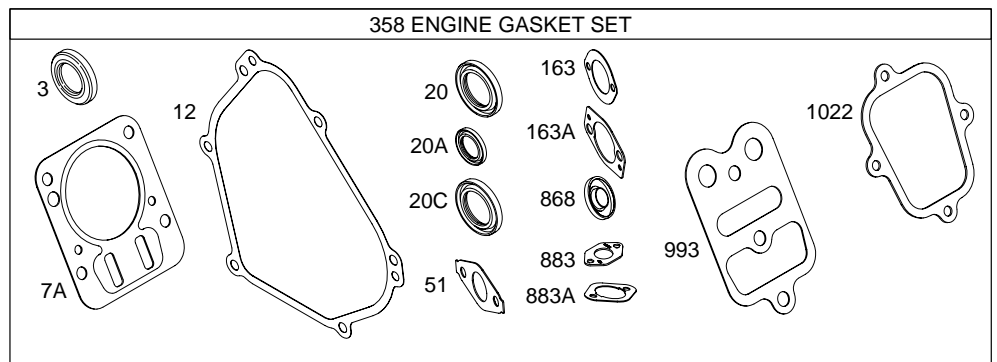
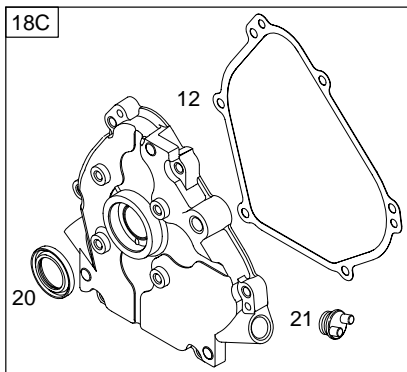
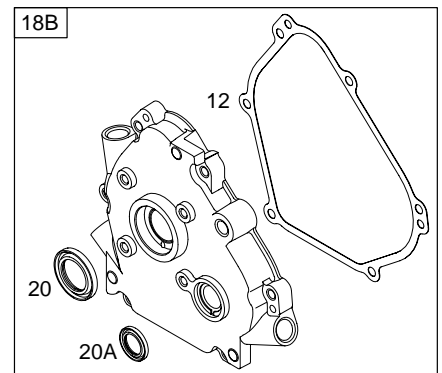
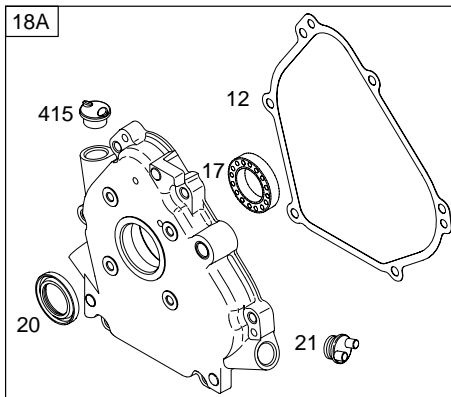
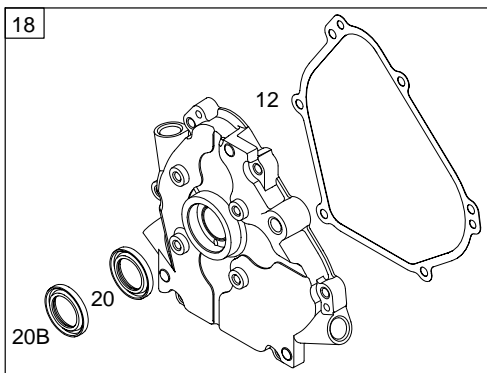
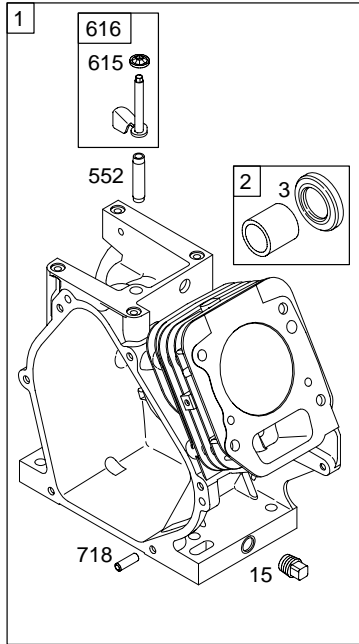
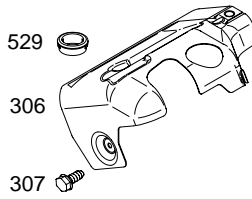
PRINTED IN U.S.A.



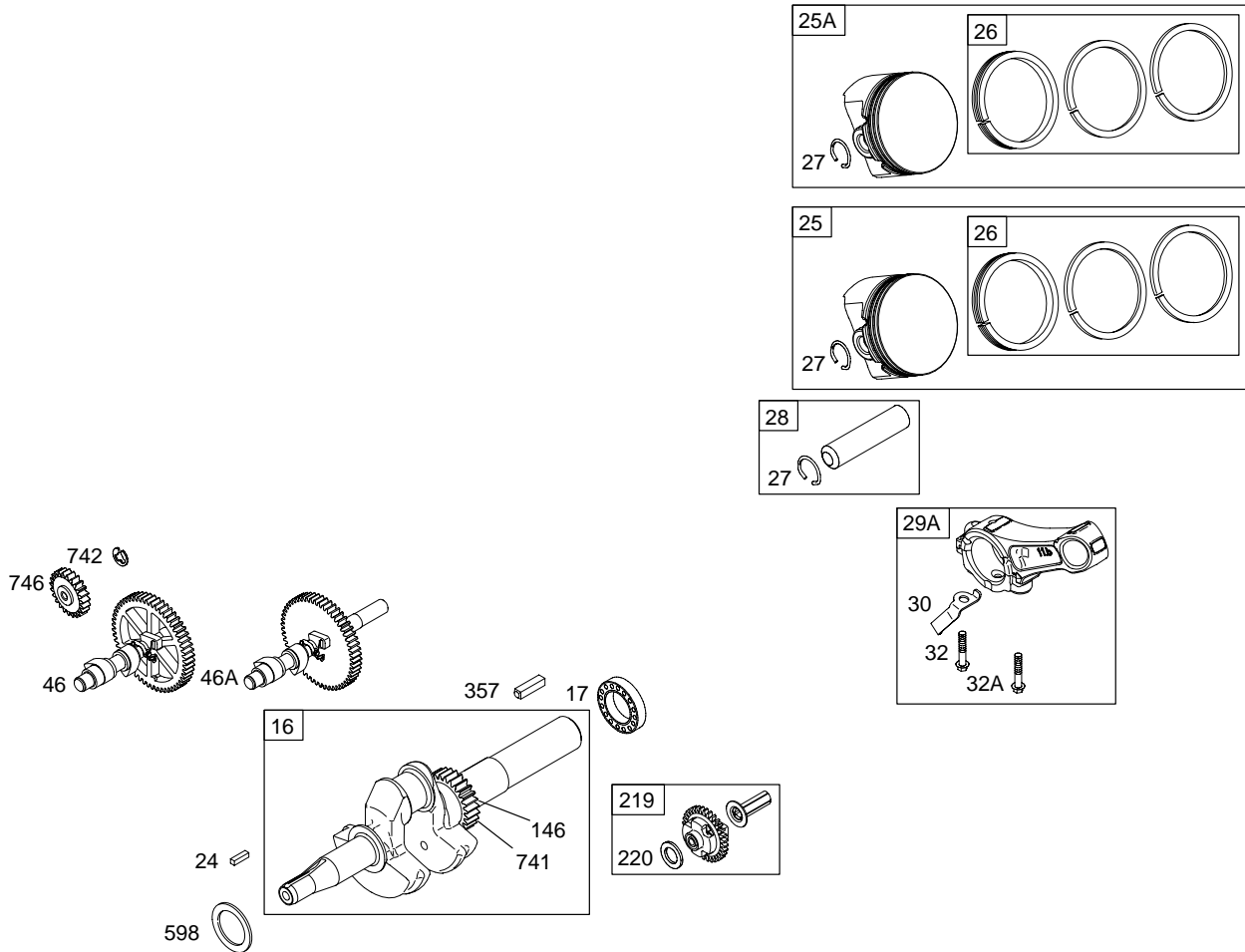
COPYRIGHT by BRIGGS & STRATTON CORPORATION
 All rights reserved. No part of this material may be reproduced or transmitted, in any form or by any means, electronic or mechanical, including photocopying, recording or by any information storage and retrieval system, without permission in writing from Briggs & Stratton Corporation.

113400

1019 LABEL KIT
1058 OWNER'S MANUAL

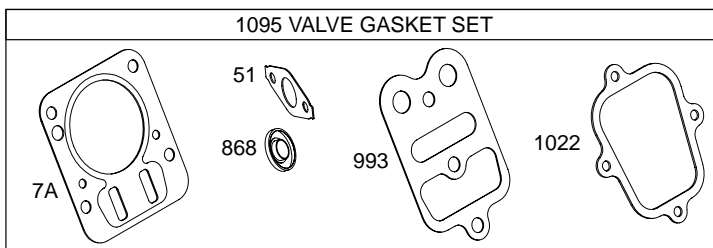
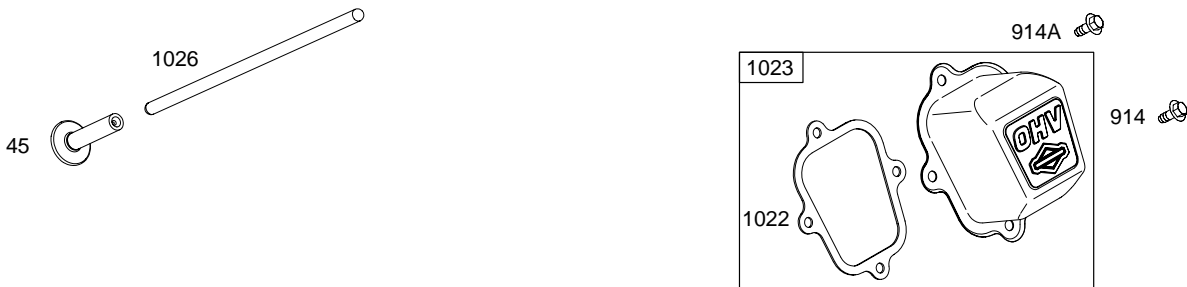
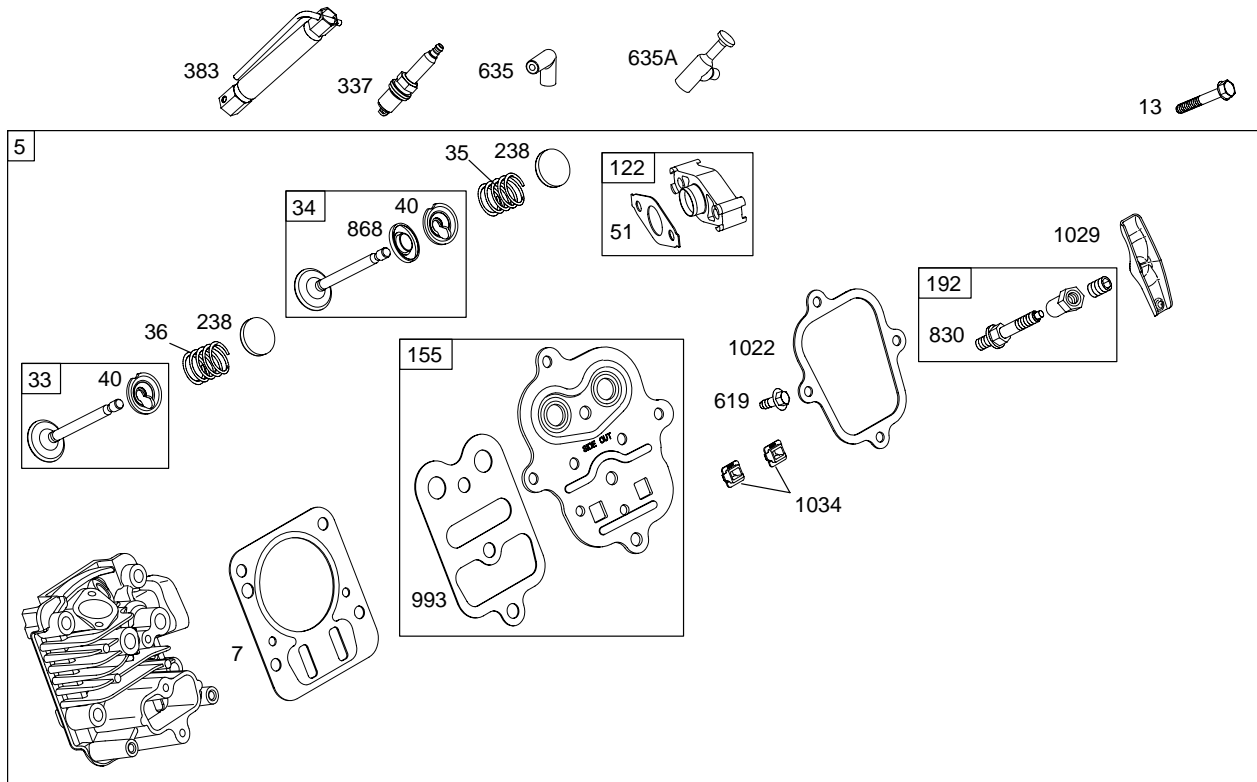


Illustrations cover a range of engines. Parts shown without corresponding text may not be used on your specific engine.
6587-2 Assemblies include all parts shown in frames. 4C-8/2002



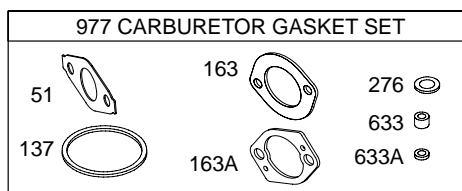
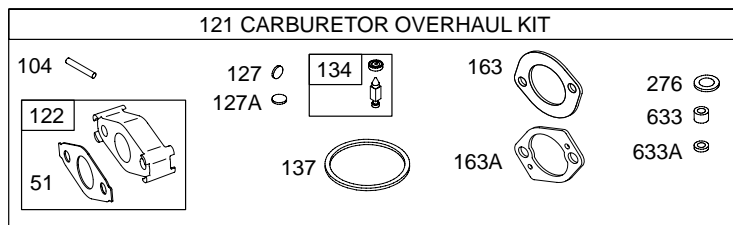
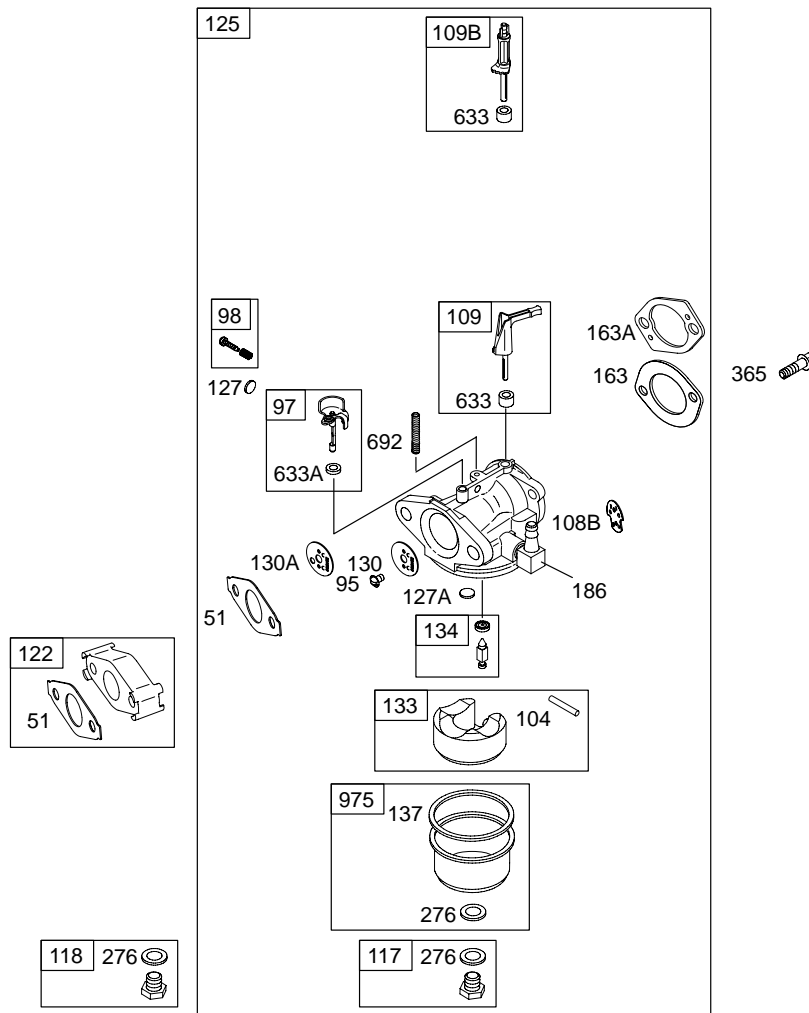
Illustrations cover a range of engines. Parts shown without corresponding text may not be used on your specific engine.
6587-3 Assemblies include all parts shown in frames. 4C-8/2002

113400



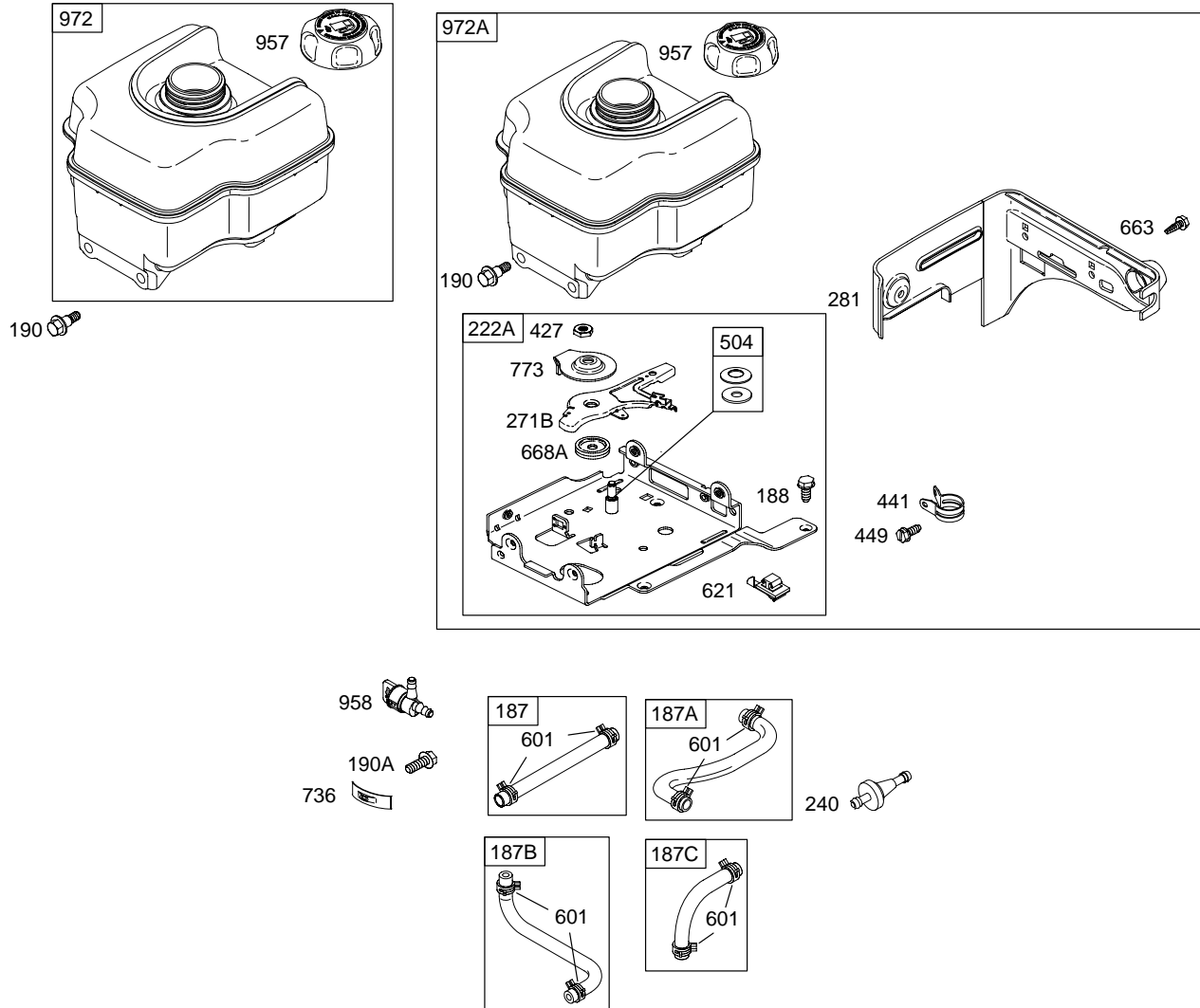
Illustrations cover a range of engines. Parts shown without corresponding text may not be used on your specific engine.
 6587-4 Assemblies include all parts shown in frames. 4C-8/2002

**NOTE: This Illustration Represents A Number Of Different Carburetors.
Parts Shown May Not Be Included In All Kits**

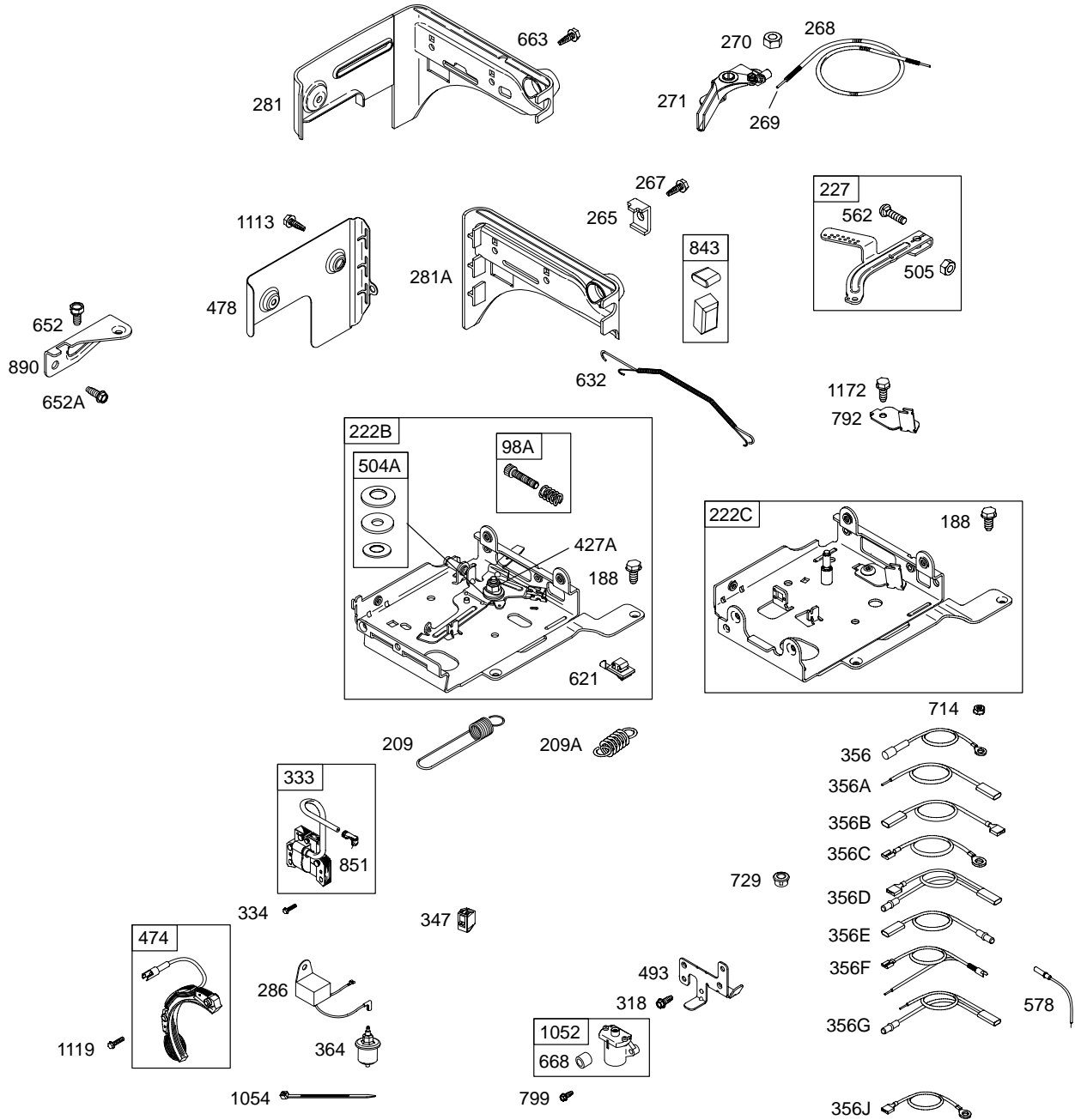


Illustrations cover a range of engines. Parts shown without corresponding text may not be used on your specific engine.
6587-5 Assemblies include all parts shown in frames. 4C-8/2002

113400

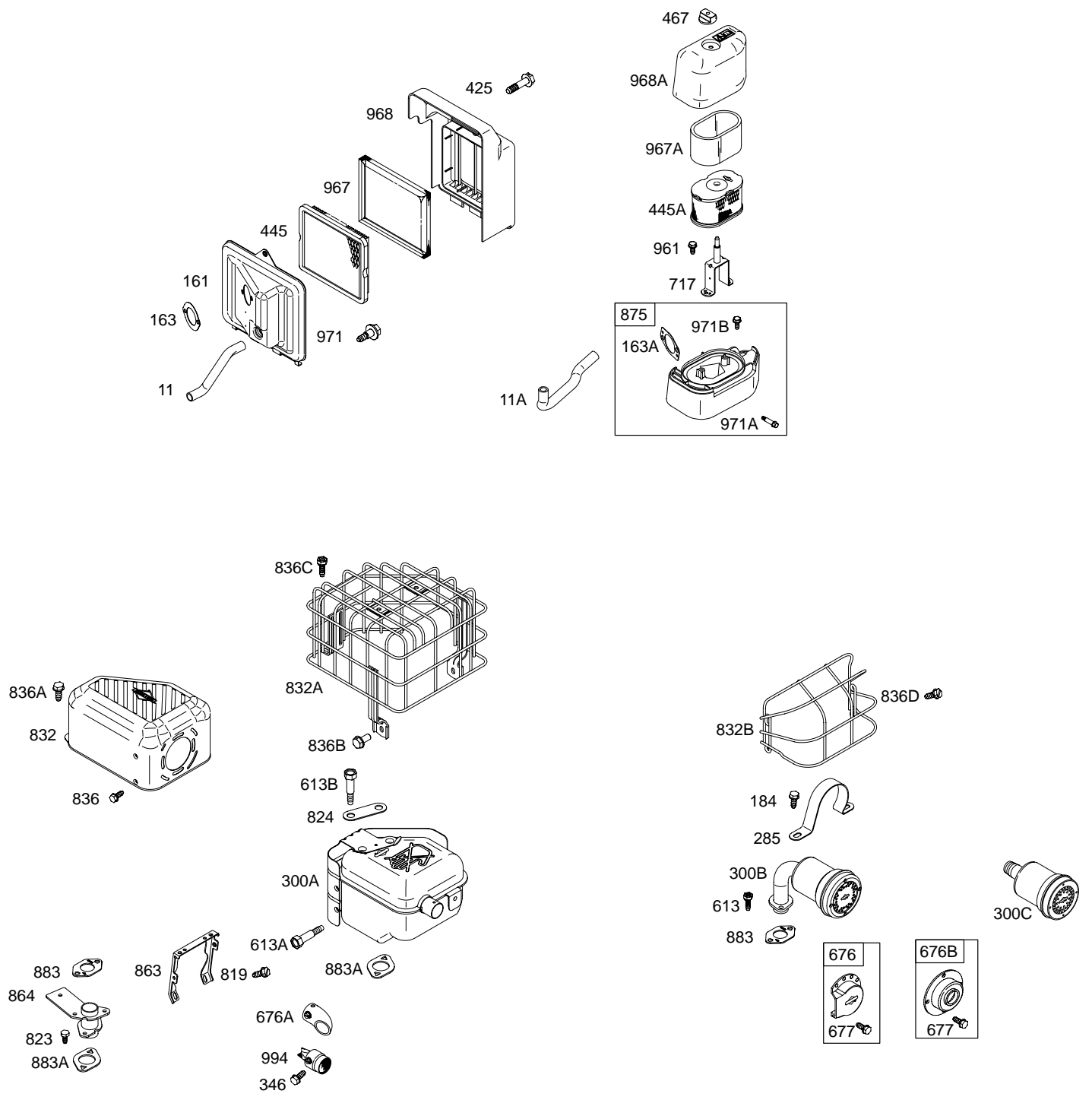


Illustrations cover a range of engines. Parts shown without corresponding text may not be used on your specific engine.
 6587-6 Assemblies include all parts shown in frames. 4C-8/2002

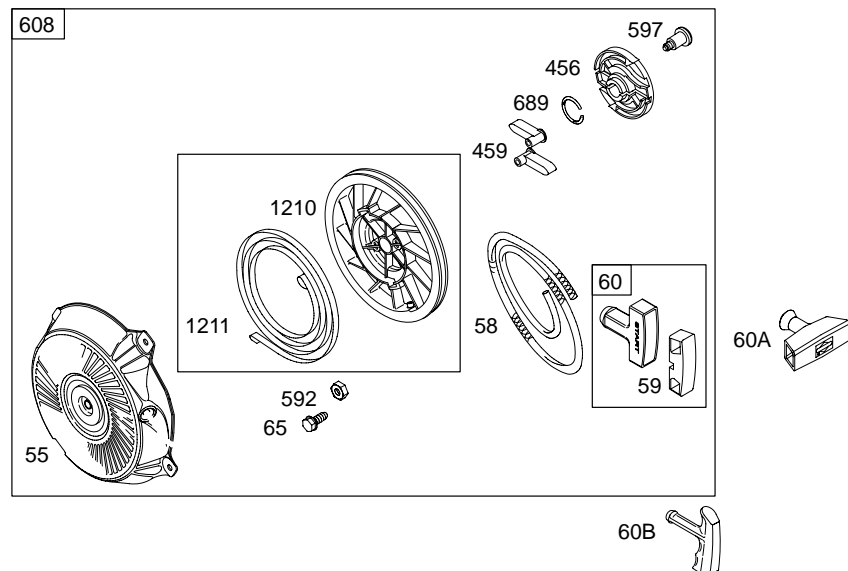
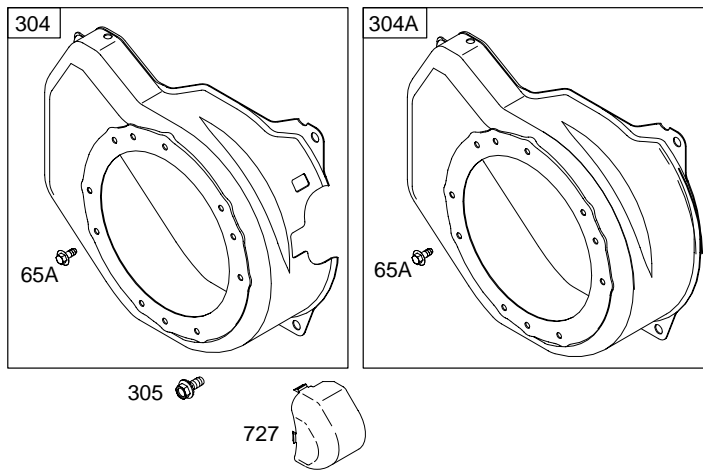
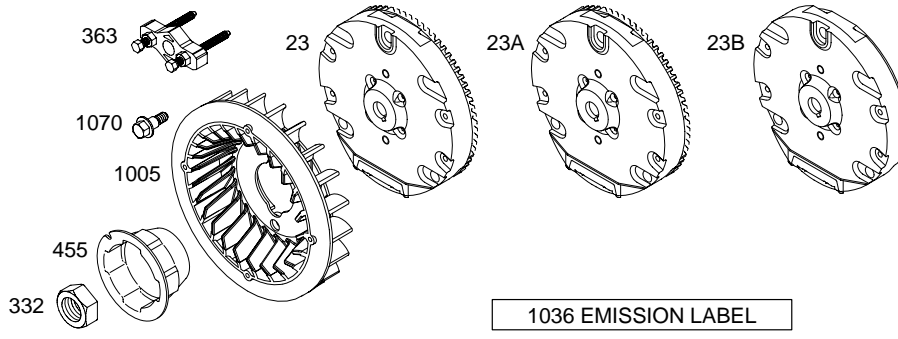


Illustrations cover a range of engines. Parts shown without corresponding text may not be used on your specific engine.
 6587-7 Assemblies include all parts shown in frames. 4C-8/2002

113400

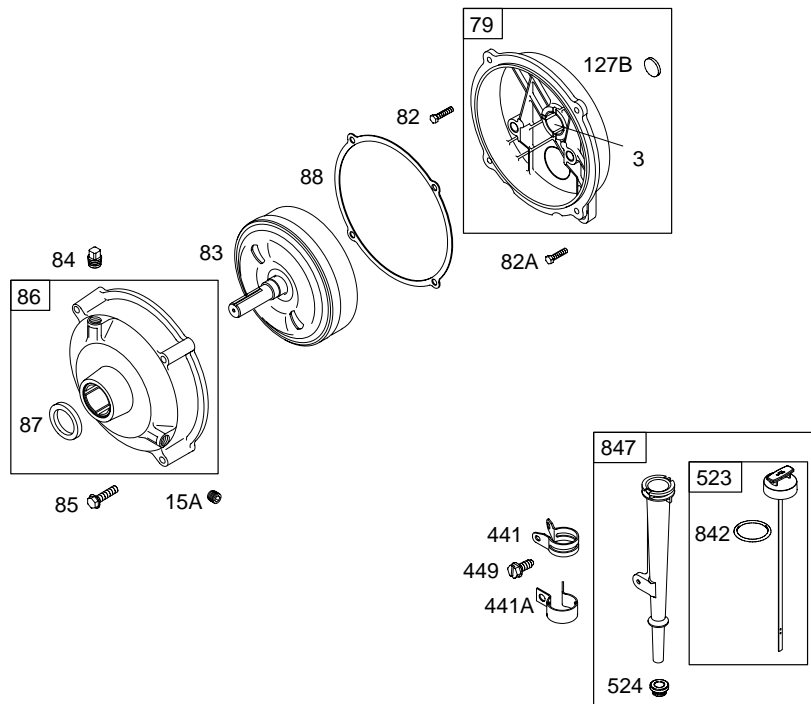
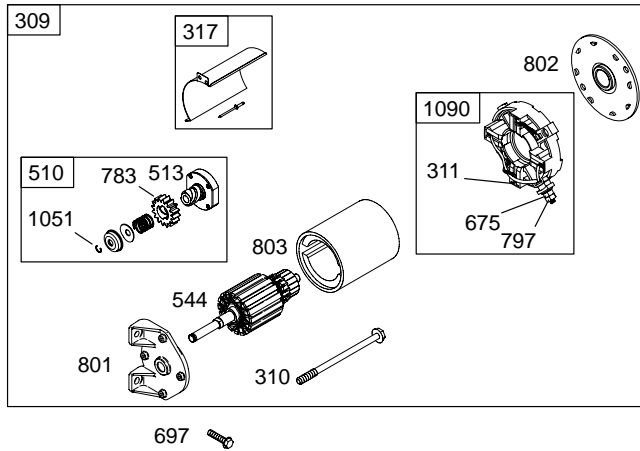


Illustrations cover a range of engines. Parts shown without corresponding text may not be used on your specific engine.
6587-8 Assemblies include all parts shown in frames. 4C-8/2002



Illustrations cover a range of engines. Parts shown without corresponding text may not be used on your specific engine.
 6587-9 Assemblies include all parts shown in frames. 4C-8/2002

113400



Illustrations cover a range of engines. Parts shown without corresponding text may not be used on your specific engine.
 6587-10 Assemblies include all parts shown in frames. 4C-8/2002

REF. NO.	PART NO.	DESCRIPTION	REF. NO.	PART NO.	DESCRIPTION	REF. NO.	PART NO.	DESCRIPTION
1	690045	Cylinder Assembly Note 696253 Cylinder Assembly Used on Type No(s). 0050.	25	499627	Piston Assembly (Standard) Note 692788 Piston Assembly (.010" Oversize) 692789 Piston Assembly (.020" Oversize) 692790 Piston Assembly (.030" Oversize)	65A	692608	Screw (Rewind Starter)
2	399269	Kit-Bushing/Seal (Magneto Side)				79	694511	Case-Gear Reduction
3	★299819	Seal-Oil (Magneto Side)				82	690369	Screw (Gear Reduction Case)
5	693643	Head-Cylinder				82A	691122	Screw (Gear Reduction Case)
7	698210	Gasket-Cylinder Head				83	690374	Shaft-Auxiliary Drive
11A	693647	Tube-Breather (High Mount Air Cleaner)	26	499631	Ring Set (Standard) Note 692785 Ring Set (.010" Oversize) 692786 Ring Set (.020" Oversize) 692787 Ring Set (.030" Oversize)	84	691121	Plug-Breather (Gear Reduction)
12	★692549	Gasket-Crankcase				85	692551	Screw (Gear Cover To Gear Reduction Case)
13	691137	Screw (Cylinder Head)				86	690608	Cover-Gear
15	691686	Plug-Oil Drain (Square Head)				87	691582	Seal-Gear Reduction
15A	691682	Plug-Oil Drain (Hex Socket)				88	691600	Gasket-Gear Reduction Cover
16	693802	Crankshaft Note 693796 Crankshaft Used on Type No(s). 0035. 693803 Crankshaft Used on Type No(s). 0049. 696227 Crankshaft Used on Type No(s). 0134.	27	691866	Lock-Piston Pin	95	691636	Screw (Throttle Valve)
			28	499423	Pin-Piston	97	690024	Shaft-Throttle
			29A	499424	Rod-Connecting	98	398185	Kit-Idle Speed (Carburetor)
			30	692562	Dipper-Connecting Rod	104	●691242	Pin-Float Hinge
			32	691664	Screw (Connecting Rod)	108B	692567	Valve-Choke
			32A	695759	Screw (Connecting Rod) (Used After Code Date 00022000).	109B	693628	Shaft-Choke (No Handle)
			33	499642	Valve-Exhaust	117	694975	Jet-Main (Standard) Note 498976 Jet-Main (Standard) Used on Type No(s). 0134.
17	692517	Bearing-Ball	34	499641	Valve-Intake	118	694250	Jet-Main (High Altitude) Note 694975 Jet-Main (High Altitude) Used on Type No(s). 0134.
18	693204	Cover-Crankcase Used on Type No(s). 0049.	35	691304	Spring-Valve (Intake)			
18A	690047	Cover-Crankcase	36	691304	Spring-Valve (Exhaust)			
20	★692550	Seal-Oil (PTO Side)	40	692194	Retainer-Valve			
20B	★694171	Seal-Oil (PTO Side)	45	690977	Tappet-Valve			
21	281658	Cap-Oil Fill	46	693404	Camshaft	121	695157	Kit-Carburetor Overhaul
22	692551	Screw (Crankcase Cover/Sump)	51★♦∅692555	692555	Gasket-Intake	122	●693749	Spacer-Carburetor
23	694902	Flywheel (Electric Start)	55	691422	Housing-Rewind Starter	125	696115	Carburetor Note 694928 Carburetor Used on Type No(s). 0134.
23B	692987	Flywheel (Rewind Start)	58	693389	Rope-Starter (Cut To Required Length)	127	●691739	Plug-Welch (5/16" Diameter)
24	222698	Key-Flywheel	59	805957	Insert-Grip	127A	●694468	Plug-Welch (3/8" Diameter)
			60	715257	Grip-Starter Rope (2 Piece)	127B	691585	Plug-Welch (7/8" Diameter)
			65	690837	Screw (Rewind Starter)			

★ Included in Engine Gasket Set-Ref. No. 358.

● Included in Carburetor Overhaul Kit Ref. No. 121.

♦ Included in Carburetor Gasket Set-Ref. No. 977.

∅ Included in Valve Gasket Set-Ref. No. 1095.

Illustrations cover a range of engines. Parts shown without corresponding text may not be used on your specific engine.

113400

REF. NO.	PART NO.	DESCRIPTION	REF. NO.	PART NO.	DESCRIPTION	REF. NO.	PART NO.	DESCRIPTION
130	691181	Valve-Throttle	271B	694256	Lever-Control	356B	692602	Stop Wire
133	398187	Float-Carburetor	276	♦♦271716	Washer-Sealing (Main Jet)			(1 Wire, 14" Long)
134	♦398188	Kit-Needle/Seat	281	694252	Panel-Control			(Snap Connect
137	♦♦693981	Gasket-Float Bowl	286	697939	Module-Oil Sensor			Insulated Female
146	690979	Key-Timing	286A	697939	Module-Oil Sensor			Blade Terminal, And
155	698214	Plate-Cylinder Head	300A	694429	Muffler			Insulated Push-On
163A	♦♦♦693458	Gasket-Air Cleaner (High Mount)			(Super Lo Tone)			Female Blade
186	692317	Connector-Hose	304	695299	Housing-Blower (Electric Starter)	356C	695630	Stop Wire
187	691050	Line-Fuel (Straight) (Cut to Required Length)	304A	693621	Housing-Blower (Rewind Starter)			(1 Wire, 6-1/2" Long)
187C	694486	Line-Fuel (Molded)			(Black)			(Push-On Female
188	690877	Screw (Control Bracket)	305	690960	Screw (Blower Housing)			Blade Terminal, And
190	692127	Screw (Fuel Tank)	306	693610	Shield-Cylinder	356D	693651	Stop Wire
192	694543	Adjuster-Rocker Arm	307	690345	Screw (Cylinder Shield)			(2 Wires, 14" And 10"
209	692571	Spring-Governor (Silver)	309	694504	Motor-Starter			Long)(Snap Connect
		Note	310	690323	Bolt (Starter Motor)			Insulated Female
	693206	Spring-Governor (Yellow)	311	497608	Brush Set			Blade Terminal)
		Used on Type No(s). 0035, 0117, 0134.	317	695494	Cover-Starter	356J	692603	Wire-Stop
	693710	Spring Governor (Black)	318	693609	Screw (Mounting Bracket)			(1 Wire 6-1/2"
		Used on Type No(s). 0132	332	690662	Nut (Flywheel)			Long)(Push-On
209A	691278	Spring-Governor (Platinum)	333	695711	Armature-Magneto			Insulated Female
219	693578	Gear-Governor	334	691061	Screw (Magneto Armature)			Blade Terminal, And
220	691724	Washer (Governor Gear)	337	491055	Plug-Spark			Ring Terminal)
222A	694253	Bracket-Control			Note	357	692191	Used on Type No(s). 0117.
227	692573	Lever-Governor Control		691043	Plug-Spark	358	695155	Key-Drive Pulley
238	691300	Cap-Valve			Used on Type No(s). 0105.	363	19069	Gasket Set-Engine
240	694485	Filter-Fuel	347	697854	Switch-Rocker	364	695693	Flywheel Puller
265	691024	Clamp-Casing	356	693650	Wire-Stop (1 Wire, 6-1/4"Long)	365	692568	Terminal-Oil Plug
267	692577	Screw (Casing Clamp)			(Ring Terminal, And Push-On Insulated Pin Socket)			Screw
268	691025	Casing-Control Wire (Cut to Required Length)	356A	692390	Stop Wire (1 Wire, 17" Long)	383	19374	(Carburetor)
269	691026	Wire-Control (Cut to Required Length)			(Snap Connect Insulated Female Blade Terminal, And Bare Wire End)	415	693463	Wrench-Spark Plug
270	691027	Nut (Control Wire Casing)						Plug
271	691028	Lever-Control				427	694255	(Crankcase Cover/ Sump)
						441	694262	Nut (Control Bracket)
						445A	697029	Bracket-Oil Fill
								Filter-Air Cleaner
								Cartridge
						449	691693	(High Mount)
								Screw
								(Oil Fill Bracket)
						455	692591	Cup-Flywheel
						456	692299	Plate-Pawl Friction
						459	281505	Pawl-Ratchet
						467	691668	Knob-Air Cleaner
						474	694457	Alternator
						493	693599	Bracket-Mounting (Oil Sensor)

★ Included in Engine Gasket Set-Ref. No. 358.

● Included in Carburetor Overhaul Kit Ref. No. 121.

♦ Included in Carburetor Gasket Set-Ref. No. 977.

⊘ Included in Valve Gasket Set-Ref. No. 1095.

Illustrations cover a range of engines. Parts shown without corresponding text may not be used on your specific engine.

6587-12

Assemblies include all parts shown in frames.

4C-8/2002

REF. NO.	PART NO.	DESCRIPTION	REF. NO.	PART NO.	DESCRIPTION	REF. NO.	PART NO.	DESCRIPTION
504	694254	Washer Set-Friction (2 Piece)	676A	696029	Deflector-Muffler	883A	697815	Gasket-Exhaust
505	691251	Nut (Governor Control Lever)	689	691855	Spring-Friction (Rewind Start)	890	694933	Bracket-Support
510	499308	Drive-Starter	692	690572	Spring-Detent	914	692198	Screw (Rocker Cover)
513	692024	Drive-Clutch	697	690372	Screw (Drive Cap)	914A	692557	Screw (Rocker Cover)
523	693618	Dipstick	714	693649	Nut (Oil Plug Terminal)	957	694261	Cap-Fuel Tank
524	281370	Seal-Dipstick Tube	717	693462	Bracket-Air Cleaner	958	692586	Valve-Fuel Shut Off (Plastic)
529	692553	Grommet	718	690959	Pin-Locatin	961	693598	Screw (Air Cleaner Bracket)
544	692966	Armature-Starter	727	694467	Cover-Starter Drive	967A	273356	Filter-Pre Cleaner (High Mount)
552	692346	Bushing-Governor Crank	729	694371	Clip-Wire	968A	693460	Cover-Air Cleaner (High Mount)
562	94852	Bolt (Governor Control Lever)	741	695087	Gear-Timing	971A	690349	Screw (Fuel Tank)
592	690800	Nut (Rewind Starter)	742	692564	Retainer-E Ring (Idler Gear)	971B	691693	Screw (Fuel Tank)
597	691696	Screw (Pawl Friction Plate)	746	692566	Gear-Idler	972	694260	Tank-Fuel
598	220624	Shim-End Play (Crankshaft)	773	694258	Retainer (Control Bracket)	975	493640	Bowl-Float
601	95162	Clamp-Hose	783	692353	Gear-Pinion	977	695156	Gasket Set-Carburetor
608	693394	Starter-Rewind	797	691029	Nut (Brush Retainer)	993	★∅694088	Gasket-Cylinder Head Plate
613A	694460	Screw (Muffler)	799	693609	Screw (Oil Sensor)	1005	692592	Fan-Flywheel
613B	691108	Screw (Muffler)	801	694482	Cap-Drive	1019	694851	Kit-Label
615	692576	Retainer-Governor Shaft	802	691286	Cap-End	1022	★∅691890	Gasket-Rocker Cover
616	692547	Crank-Governor	803	693757	Housing-Starter	1023	499924	Cover-Rocker
619	691108	Screw (Cylinder Head Plate)	819	691685	Screw (Muffler Bracket)	1026	693517	Rod-Push
621	692310	Switch-Stop	823	691665	Screw (Muffler Adapter)	1029	691230	Arm-Rocker
632	693408	Spring/Link-Mechanical Governor	824	696017	Gasket-Heat Shield	1034	691343	Guide-Push Rod
633	◆693867	Seal-Choke/Throttle Shaft (Choke)	830	694544	Stud (Rocker Arm)	1036	696766	Label-Emission (Used After Code Date 01072300).
633A	◆691321	Seal-Choke/Throttle Shaft (Throttle)	832A	694459	Guard-Muffler (Used Wth Super Lo Tone Muffler)			Note
635A	692927	Boot-Spark Plug (Handle Type)	836B	691003	Screw (Muffler Guard)			695041 Label-Emission (Used Before Code Date 01072400).
652	691108	Screw (Support Bracket)	836C	691665	Screw (Muffler Guard)	1051	691265	Ring-Retaining (Starter Drive)
652A	695629	Screw (Support Bracket)	836D	696519	Screw (Muffler Guard)	1052	696954	Sensor-Oil
663	694593	Screw (Control Panel)	842	691031	Seal-O Ring (Dipstick Tube)	1054	280275	Tie-Cable
668	693604	Spacer (Oil Sensor)	843	694061	Sleeve-Lever	1058	275092	Owner's Manual
668A	694257	Spacer (Control Bracket)	847	693617	Dipstick/Tube Assembly	1070	692590	Screw (Flywheel Fan)
675	691261	Washer (Brush Retainer)	851	493880	Terminal-Spark Plug	1090	691293	Retainer-Brush
			863	692596	Bracket-Muffler	1095	695289	Gasket Set-Valve
			864	694430	Adapter-Muffler	1119	691183	Screw (Alternator)
			868	★∅692044	Seal-Valve	1210	498144	Pulley/Spring Assembly (Pulley)
			875	693459	Base-Air Cleaner (Plastic)(High Mount)	1211	498144	Pulley/Spring Assembly (Spring)
			883	691893	Gasket-Exhaust (Between Adapter and Cylinder Head)			

★ Included in Engine Gasket Set-Ref. No. 358.

● Included in Carburetor Overhaul Kit Ref. No. 121.

◆ Included in Carburetor Gasket Set-Ref. No. 977.

∅ Included in Valve Gasket Set-Ref. No. 1095.

Illustrations cover a range of engines. Parts shown without corresponding text may not be used on your specific engine.