

# 111400

## Illustrated Parts List

### Model Series

# 111400

TYPE NUMBERS  
0035 through 0154.

For Use On Engines Built Before Date Code – 01083100

### TABLE OF CONTENTS

Air Cleaner .....	8
Blower Housing/Shrouds .....	9
Cams .....	3
Carburetor .....	5
Controls .....	6
Controls .....	7
Crankcase Cover/Sump .....	2
Crankshaft .....	3
Cylinder .....	2
Electric Starter .....	10
Flywheel .....	9
Fuel Tank .....	6
Gear Reducer .....	10
Governor Spring .....	7
Head .....	4
Ignition .....	7
Kits/Gaskets – Carburetor .....	5
Kits/Gaskets – Engine .....	2
Kits/Gaskets – Valve .....	4
Muffler .....	8
Oil Group .....	10
Piston Group .....	3
Rewind .....	9
Valves .....	4

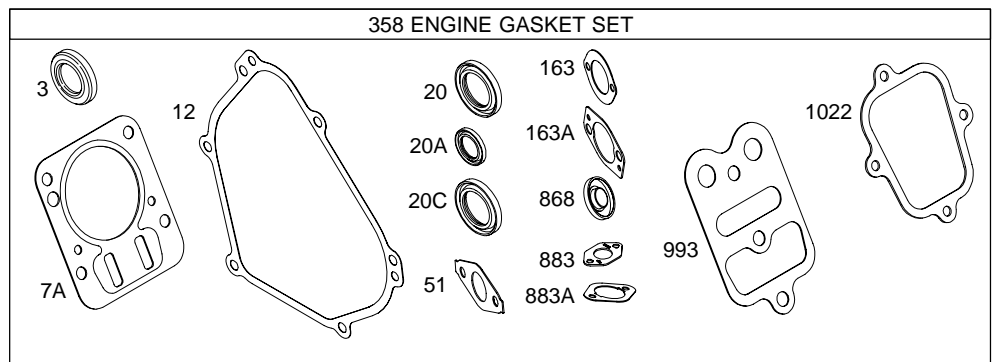
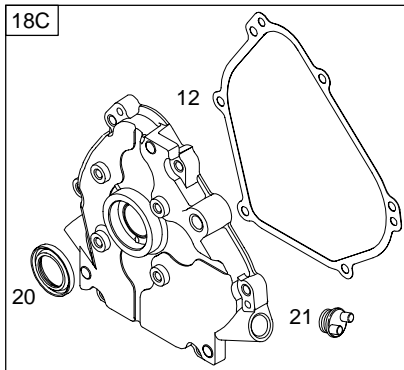
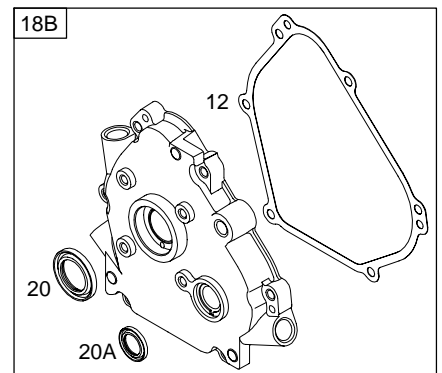
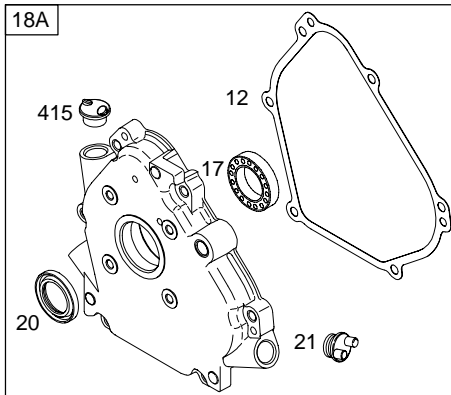
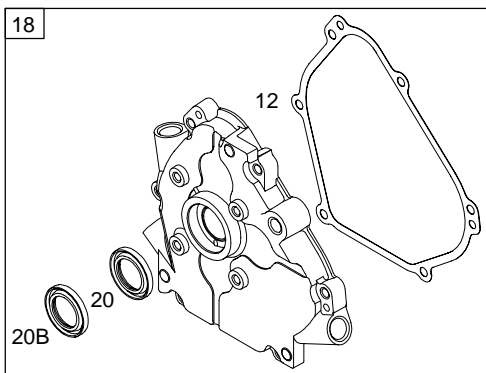
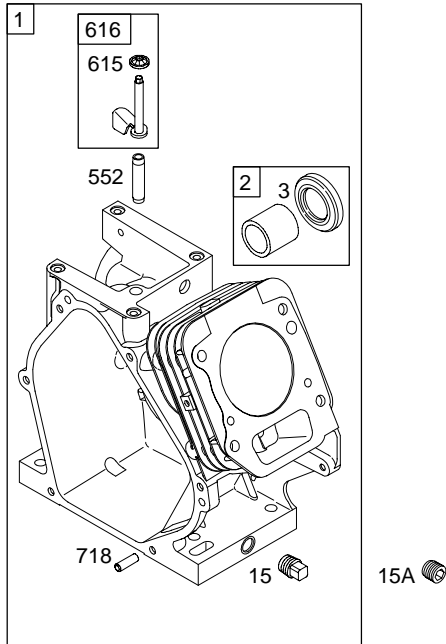
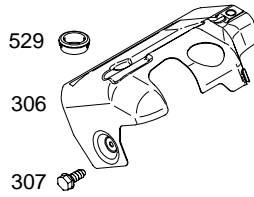
PRINTED IN U.S.A.



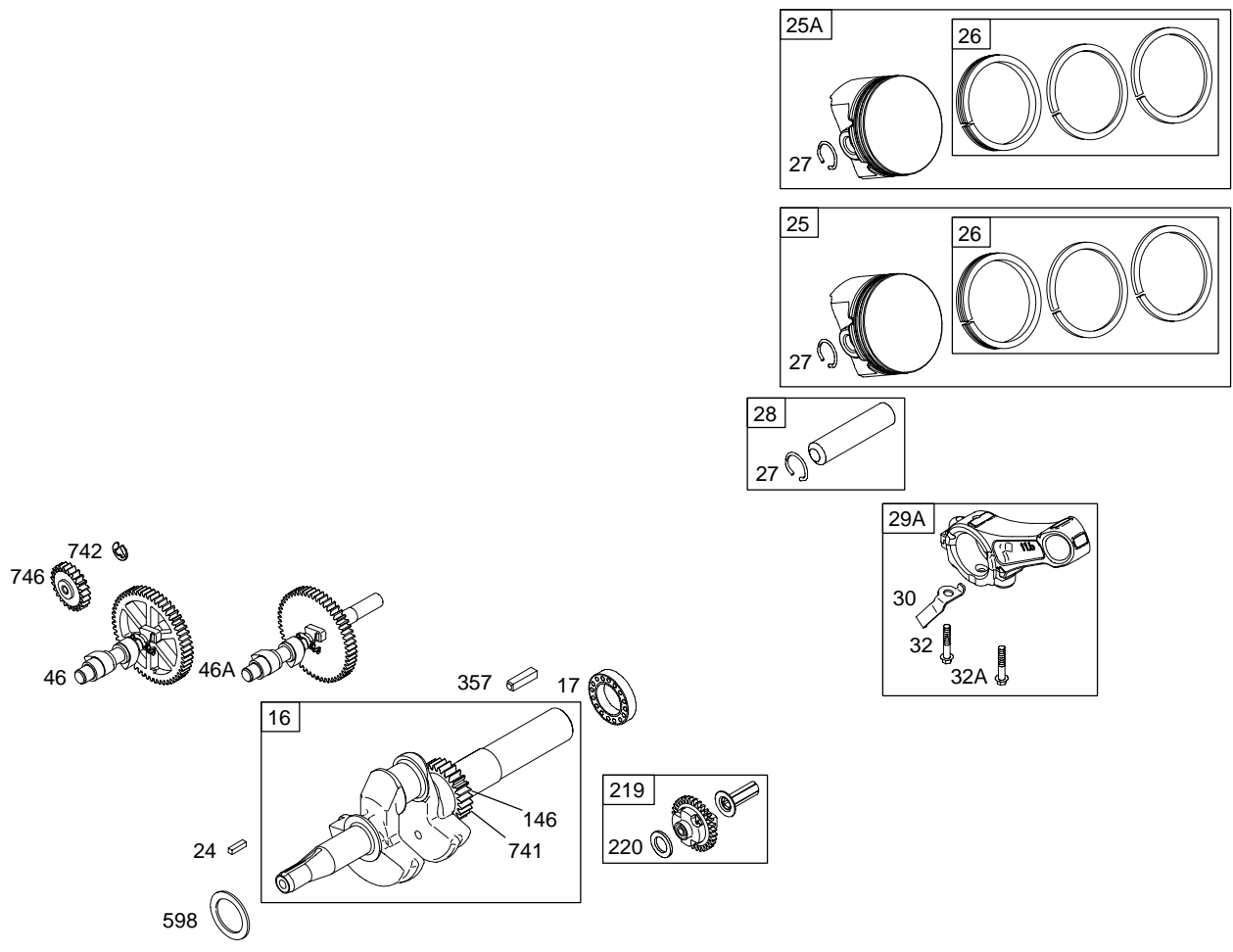
COPYRIGHT by BRIGGS & STRATTON CORPORATION  
 All rights reserved. No part of this material may be reproduced or transmitted, in any form or by any means, electronic or mechanical, including photocopying, recording or by any information storage and retrieval system, without permission in writing from Briggs & Stratton Corporation.

111400

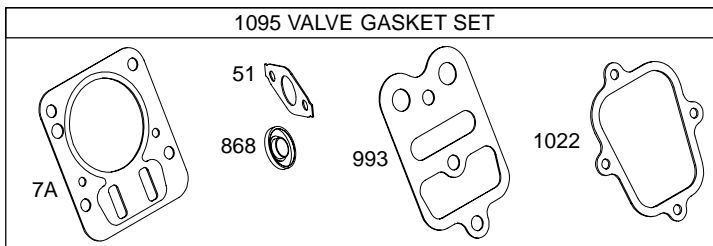
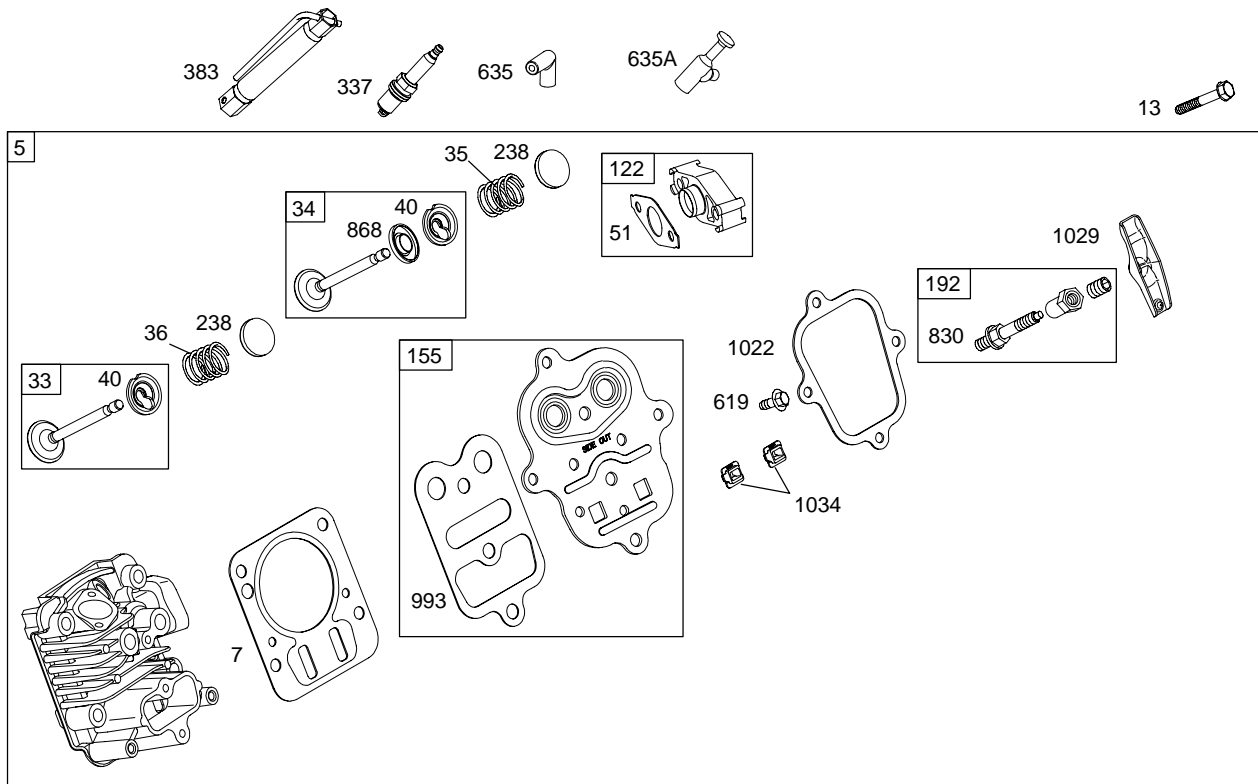
1019 LABEL KIT  
1058 OWNER'S MANUAL



Illustrations cover a range of engines. Parts shown without corresponding text may not be used on your specific engine.  
5390-2 Assemblies include all parts shown in frames. 4C-8/2002

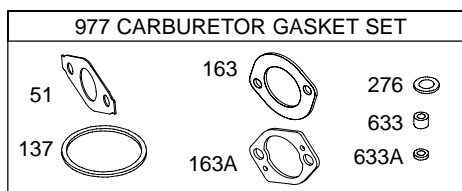
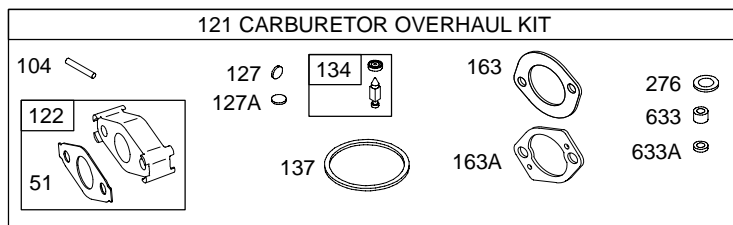
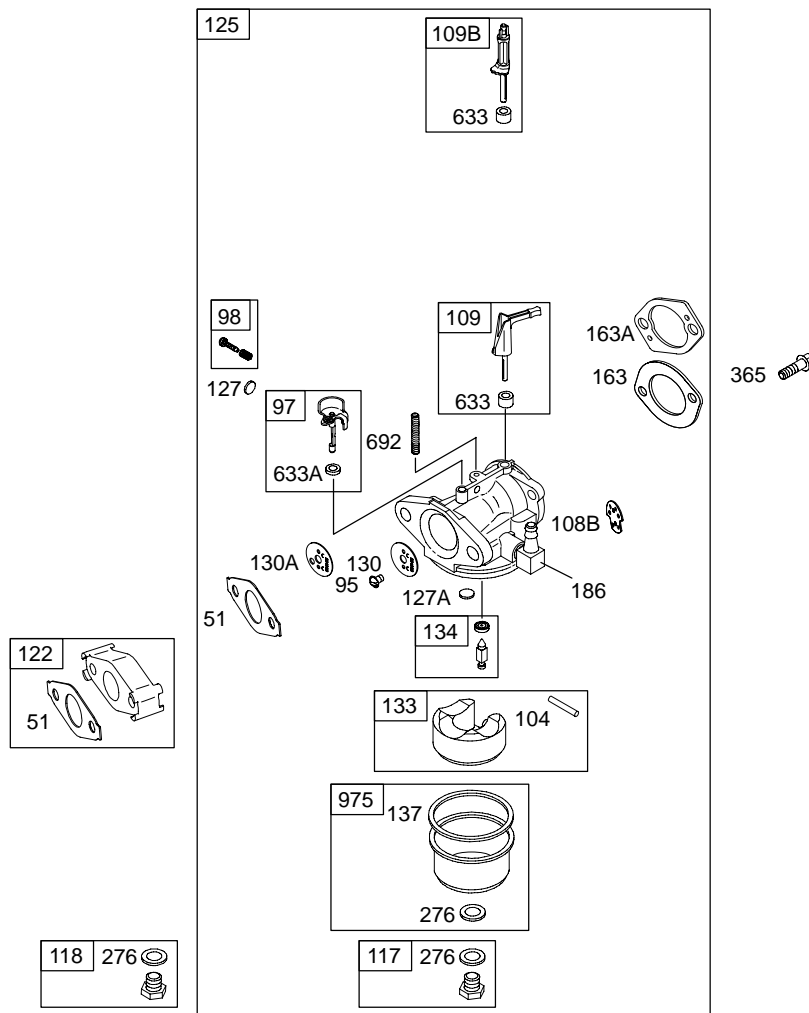


**111400**



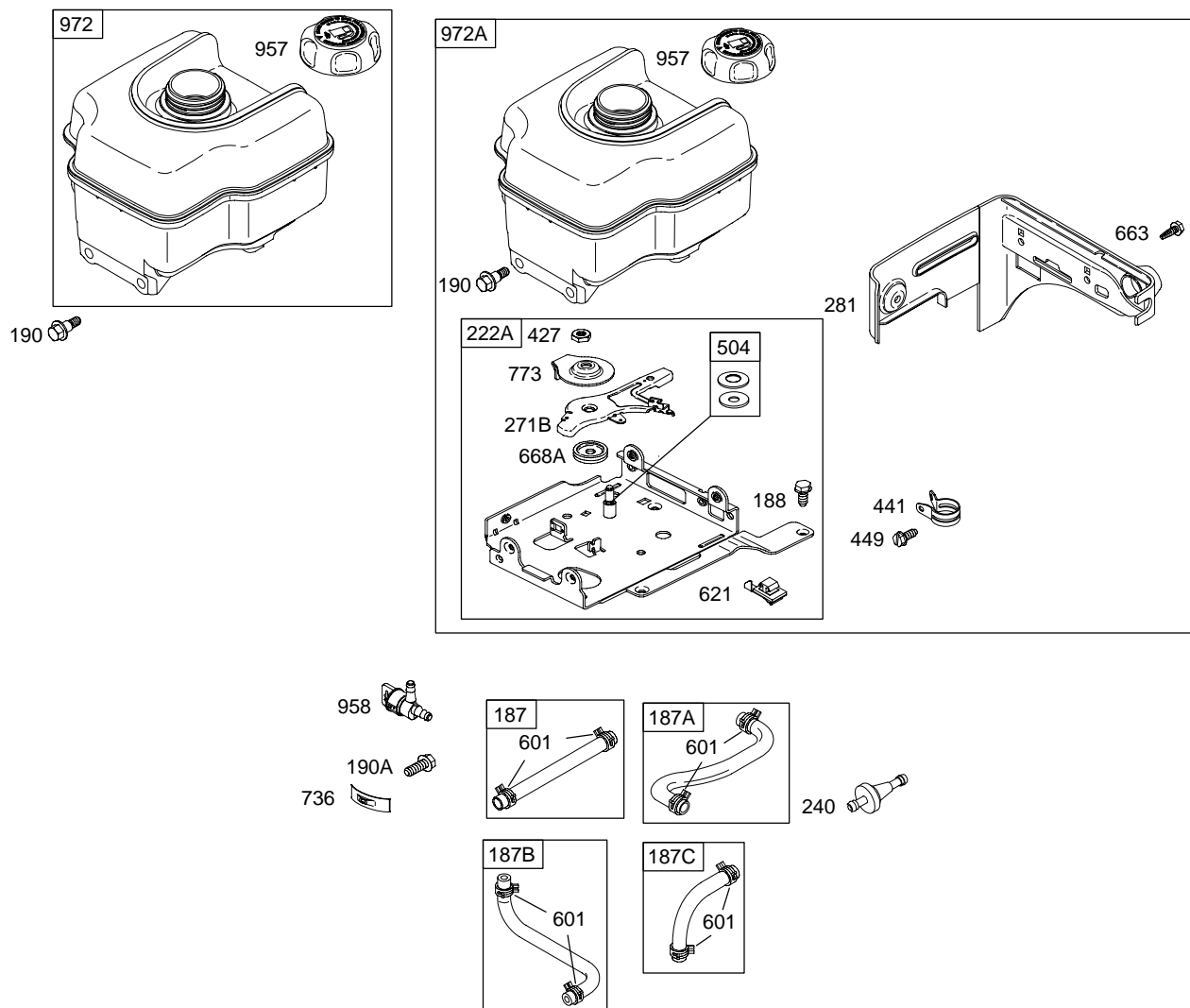
*Illustrations cover a range of engines. Parts shown without corresponding text may not be used on your specific engine.*  
**5390-4** Assemblies include all parts shown in frames. **4C-8/2002**

**NOTE: This Illustration Represents A Number Of Different Carburetors.  
Parts Shown May Not Be Included In All Kits**

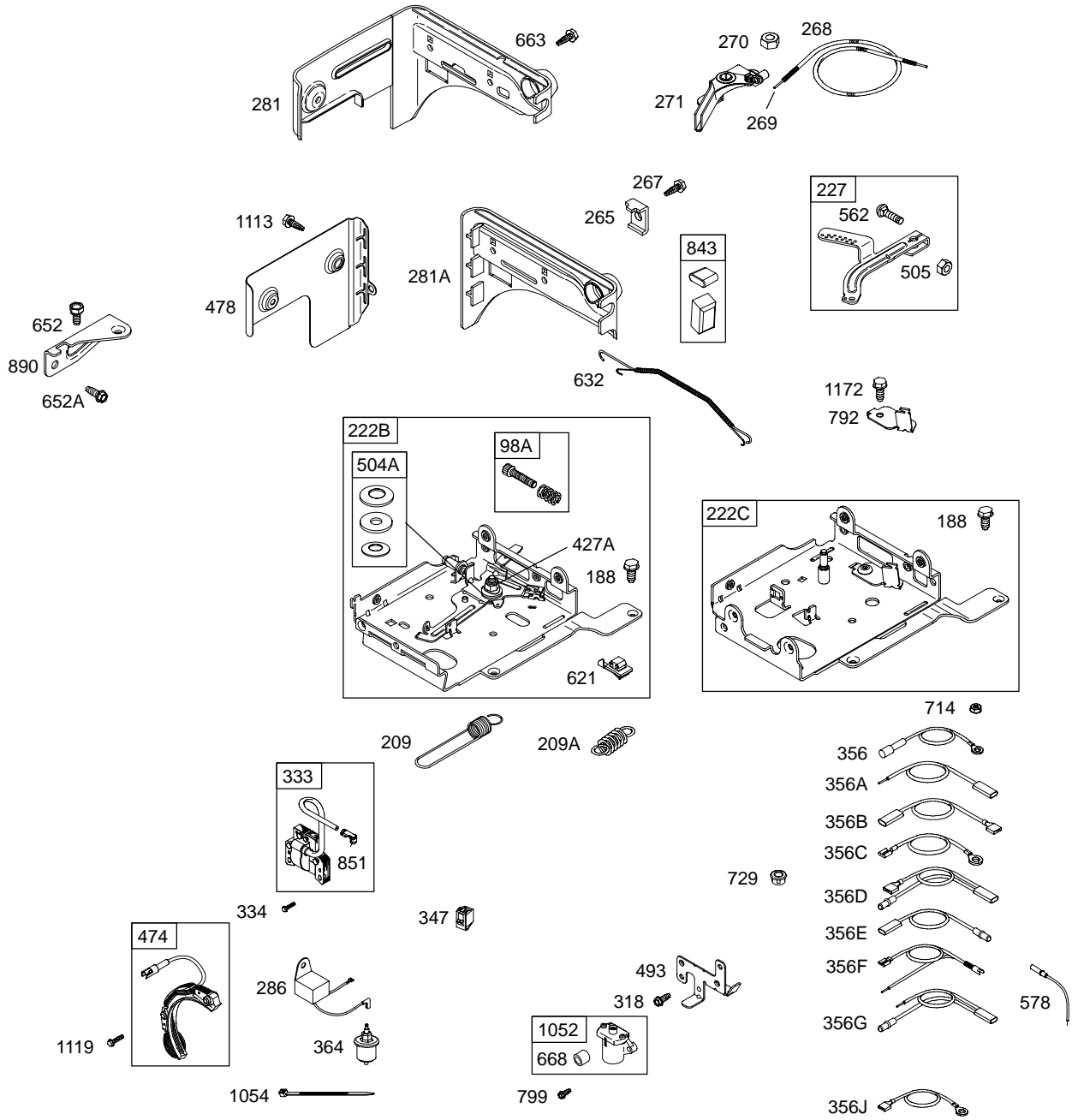


Illustrations cover a range of engines. Parts shown without corresponding text may not be used on your specific engine.  
5390-5 Assemblies include all parts shown in frames. 4C-8/2002

# 111400

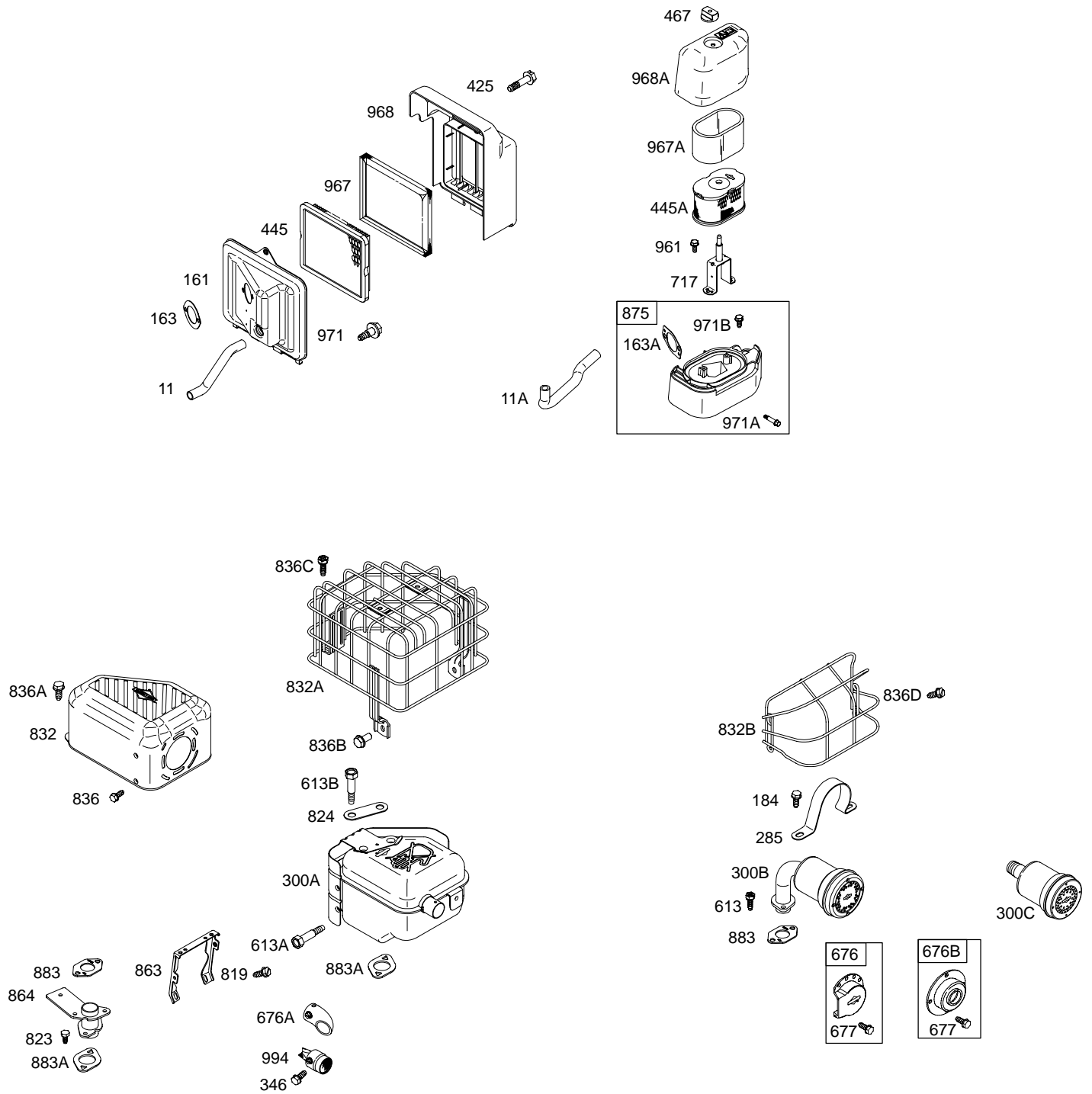


Illustrations cover a range of engines. Parts shown without corresponding text may not be used on your specific engine.  
5390-6 Assemblies include all parts shown in frames. 4C-8/2002



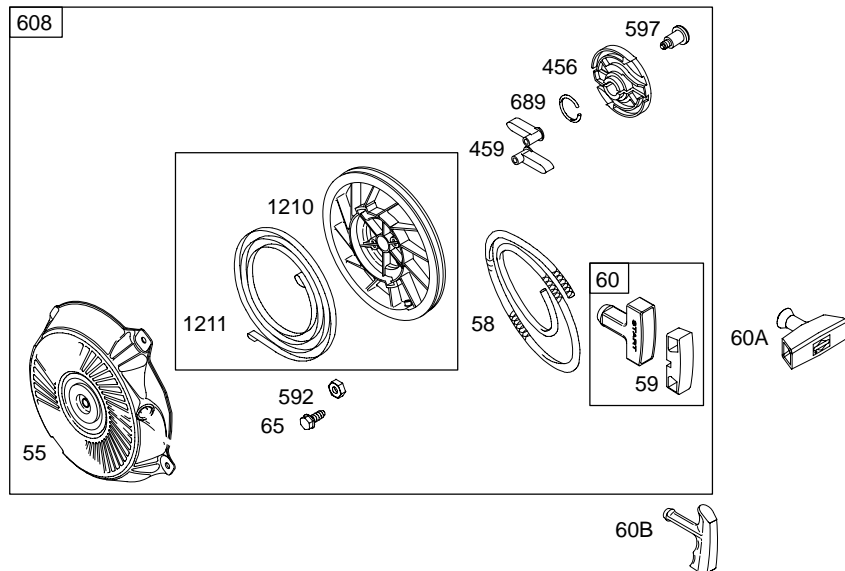
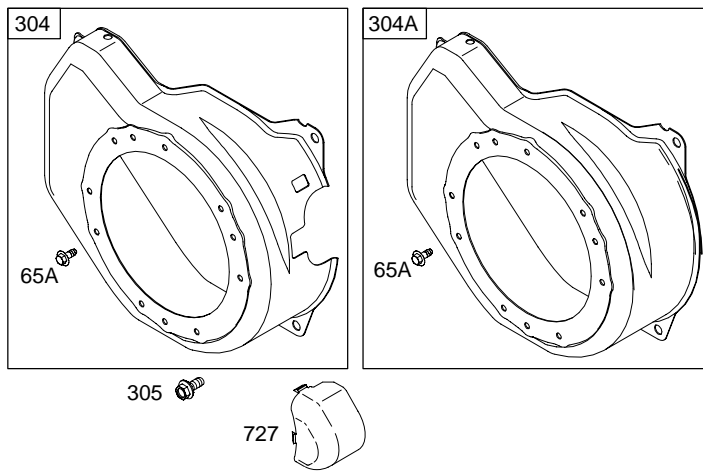
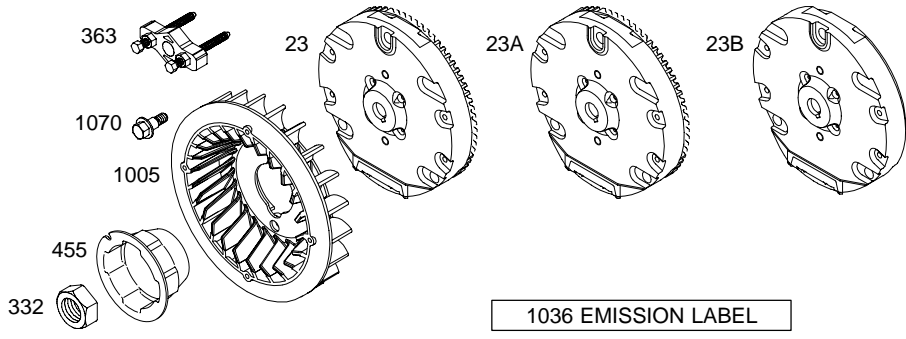
Illustrations cover a range of engines. Parts shown without corresponding text may not be used on your specific engine. 5390-7 Assemblies include all parts shown in frames. 4C-8/2002

111400



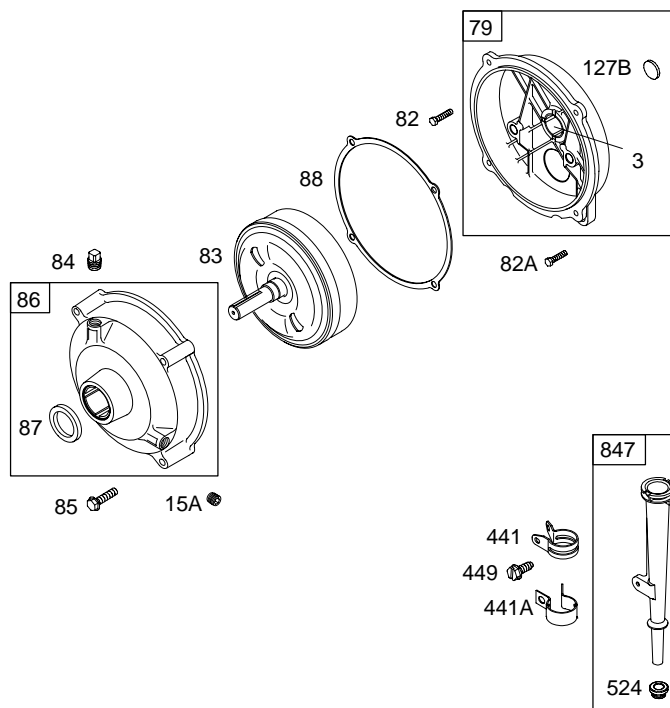
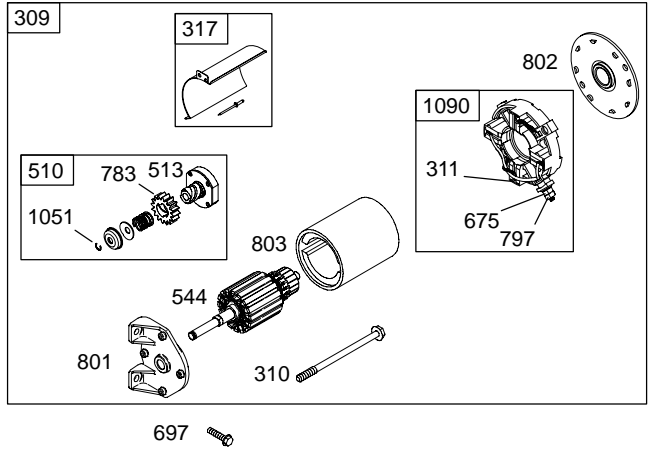
Illustrations cover a range of engines. Parts shown without corresponding text may not be used on your specific engine.  
 5390-8 Assemblies include all parts shown in frames. 4C-8/2002





Illustrations cover a range of engines. Parts shown without corresponding text may not be used on your specific engine.  
5390-9 Assemblies include all parts shown in frames. 4C-8/2002

# 111400



Illustrations cover a range of engines. Parts shown without corresponding text may not be used on your specific engine.  
 5390-10 Assemblies include all parts shown in frames. 4C-8/2002

REF. NO.	PART NO.	DESCRIPTION	REF. NO.	PART NO.	DESCRIPTION	REF. NO.	PART NO.	DESCRIPTION
1	690045	Cylinder Assembly <b>Note</b> 696253 Cylinder Assembly Used on Type No(s). 0136.	17	692517	Bearing-Ball	32	691664	Screw (Connecting Rod)
2	399269	Kit-Bushing/Seal (Magneto Side)	18	693204	Cover-Crankcase Used on Type No(s). 0049, 0109, 0112, 0134, 0147.	32A	695759	Screw (Connecting Rod) (Used After Code Date 00022000).
3	*299819	Seal-Oil (Magneto Side)	18A	690047	Cover-Crankcase	33	499642	Valve-Exhaust
5	693643	Head-Cylinder	18C	695290	Cover-Crankcase Used on Type No(s). 0130, 0150.	34	499641	Valve-Intake
7	698210	Gasket-Cylinder Head	20	*692550	Seal-Oil (PTO Side)	35	691304	Spring-Valve (Intake)
11	692600	Tube-Breather (Flat Panel Air Cleaner)	20B	*694171	Seal-Oil (PTO Side)	36	691304	Spring-Valve (Exhaust)
11A	693647	Tube-Breather (High Mount Air Cleaner)	21	281658	Cap-Oil Fill	40	692194	Retainer-Valve
12	*692549	Gasket-Crankcase	22	692551	Screw (Crankcase Cover/Sump)	45	690977	Tappet-Valve
13	691137	Screw (Cylinder Head)	23	694902	Flywheel (Electric Start)	46	693404	Camshaft
15	691686	Plug-Oil Drain (Square Head)	23B	692987	Flywheel (Rewind Start)	51**	692555	Gasket-Intake
15A	691682	Plug-Oil Drain (Hex Socket)	24	222698	Key-Flywheel	55	691422	Housing-Rewind Starter
16	693802	Crankshaft <b>Note</b> 693803 Crankshaft Used on Type No(s). 0049, 0109, 0130, 0134, 0150. 693797 Crankshaft Used on Type No(s). 0112, 0147. 694463 Crankshaft Used on Type No(s). 0126, 0131. 696225 Crankshaft Used on Type No(s). 0111. 694462 Crankshaft Used on Type No(s). 0122. 696227 Crankshaft Used on Type No(s). 0129, 0138. 693796 Crankshaft Used on Type No(s). 0035, 0115, 0141, 0151.	25	499627	Piston Assembly (Standard) <b>Note</b> 692788 Piston Assembly (.010" Oversize) 692789 Piston Assembly (.020" Oversize) 692790 Piston Assembly (.030" Oversize)	58	693389	Rope-Starter (Cut To Required Length)
			26	499631	Ring Set (Standard) <b>Note</b> 692785 Ring Set (.010" Oversize) 692786 Ring Set (.020" Oversize) 692787 Ring Set (.030" Oversize)	59	805957	Insert-Grip
			27	691866	Lock-Piston Pin	60	715257	Grip-Starter Rope (2 Piece)
			28	499423	Pin-Piston	60A	691915	Grip-Starter Rope (1 Piece)
			29A	499424	Rod-Connecting	65	690837	Screw (Rewind Starter)
			30	692562	Dipper-Connecting Rod	65A	692608	Screw (Rewind Starter)
						79	694511	Case-Gear Reduction
						82	690369	Screw (Gear Reduction Case)
						82A	691122	Screw (Gear Reduction Case)
						83	690374	Shaft-Auxiliary Drive
						84	691121	Plug-Breather (Gear Reduction)

\* Included in Engine Gasket Set-Ref. No. 358.

● Included in Carburetor Overhaul Kit-Ref. No. 121.

◆ Included in Carburetor Gasket Set-Ref. No. 977.

⊘ Included in Valve Gasket Set-Ref. No. 1095.

Illustrations cover a range of engines. Parts shown without corresponding text may not be used on your specific engine.

# 111400

REF. NO.	PART NO.	DESCRIPTION	REF. NO.	PART NO.	DESCRIPTION	REF. NO.	PART NO.	DESCRIPTION
85	692551	Screw (Gear Cover to Gear Reduction Case)	121	695157	Kit-Carburetor Overhaul	192	694543	Adjuster-Rocker Arm
86	690608	Cover-Gear	122	●693749	Spacer-Carburetor	209	692571	Spring-Governor (Silver)
87	691582	Seal-Gear Reduction	125	693865	Carburetor			————— <b>Note</b> —————
88	691600	Gasket-Gear Reduction Cover			————— <b>Note</b> —————	693206	Spring-Governor (Yellow)	Used on Type No(s). 0035, 0111, 0125, 0141, 0129.
95	691636	Screw (Throttle Valve)	127	●691739	Plug-Welch (5/16" Diameter)	209A	691278	Spring-Governor
97	690024	Shaft-Throttle	127A	694468	Plug-Welch (3/8" Diameter)	219	693578	Gear-Governor
98	398185	Kit-Idle Speed (Carburetor)	127B	691585	Plug-Welch (7/8" Diameter)	220	691724	Washer (Governor Gear)
98A	493280	Kit-Idle Speed (Control Bracket)	130	691181	Valve-Throttle	222A	694253	Bracket-Control (Used After Code Date 99070400).
104	●691242	Pin-Float Hinge	133	398187	Float-Carburetor	222B	694263	Bracket-Control (Used Before Code Date 99070500).
108B	692567	Valve-Choke	134	●398188	Kit-Needle/Seat	227	692573	Control Lever-Governor
109	690023	Shaft-Choke (Straight Handle)	137	●●693981	Gasket-Float Bowl	238	691300	Cap-Valve
109B	693628	Shaft-Choke (No Handle) Used on Type No(s). 0122, 0123, 0134.	146	690979	Key-Timing	265	691024	Clamp-Casing
117	498976	Jet-Main (Standard) ————— <b>Note</b> ————— 694975 Jet-Main (Standard) Used on Type No(s). 0122, 0123, 0134. 695042 Jet-Main (Standard) Used on Type No(s). 0129, 0138.	155	698214	Gasket Kit-Cylinder Head	267	692577	Screw (Casing Clamp)
118	498977	Jet-Main (High Altitude) ————— <b>Note</b> ————— 694250 Jet-Main (High Altitude) Used on Type No(s). 0122, 0123, 0134. 694975 Jet-Main (High Altitude) Used on Type No(s). 0129, 0138.	161	692579	Base-Air Cleaner (Flat Panel)	268	691025	Casing-Control Wire (Cut to Required Length)
			163	♦♦272948	Gasket-Air Cleaner (Flat Panel)	269	691026	Wire-Control (Cut to Required Length)
			163A	♦♦693458	Gasket-Air Cleaner (High Mount)	270	691027	Nut (Control Wire Casing)
			184	691685	Screw (Muffler Strap)	271	691028	Lever-Control
			186	692317	Connector-Hose	271B	694256	Lever-Control
			187	691050	Line-Fuel (Straight) (Cut to Required Length)	276	●♦271716	Washer-Sealing (Main Jet)
			187A	692601	Line-Fuel (Molded)	281	694252	Panel-Control (Used After Code Date 99070400).
			188	690877	Screw (Control Bracket)	281A	693407	Panel-Control (Used Before Code Date 99070500).
			190	692127	Screw (Fuel Tank)	285	692595	Strap-Muffler
			190A	690877	Screw (Fuel Tank)	286	697939	Module-Oil Sensor

★ Included in Engine Gasket Set-Ref. No. 358.

● Included in Carburetor Overhaul Kit-Ref. No. 121.

♦ Included in Carburetor Gasket Set-Ref. No. 977.

⊘ Included in Valve Gasket Set-Ref. No. 1095.

*Illustrations cover a range of engines. Parts shown without corresponding text may not be used on your specific engine.*

REF. NO.	PART NO.	DESCRIPTION	REF. NO.	PART NO.	DESCRIPTION	REF. NO.	PART NO.	DESCRIPTION
300A	694429	Muffler (Super Lo Tone)	356	693650	Wire-Stop (1 Wire, 6-1/4" Long)	427	694255	Nut (Control Bracket)
300B	693593	Muffler (Lo Tone)			(Ring Terminal, And Push-On Insulated Pin Socket)			(Used After Code Date 99070400).
304	694378	Housing-Blower (Electric Start)	356A	692390	Stop Wire (1 Wire, 17" Long)	427A	692575	Nut (Control Bracket)
		(Black)			(Snap Connect Insulated Female Blade Terminal, And Bare Wire End)			(Used Before Code Date 99070500).
304A	693621	Housing-Blower (Rewind Start)	356B	692602	Stop Wire (1 Wire, 14" Long)	441	694262	Bracket-Oil Fill
		(Black)			(Snap Connect Insulated Female Blade Terminal, And Bare Wire End)	445	491588	Filter-Air Cleaner Cartridge (Flat Panel)
305	690960	Screw (Blower Housing)	356C	695630	Stop Wire (1 Wire, 6-1/2" Long)	445A	697029	Filter-Air Cleaner Cartridge (High Mount)
306	693610	Shield-Cylinder			(Snap Connect Insulated Female Blade Terminal, And Insulated Push-On Female Blade Terminal)	449	691693	Screw (Oil Fill Bracket)
307	690345	Screw (Cylinder Shield)	356D	693651	Stop Wire (2 Wires, 14" and 10" Long)(Snap Connect Insulated Female Blade Terminal, Insulated Push-On Female Blade Terminal And Snap Connect Insulated Female Blade Terminal)	455	692591	Cup-Flywheel
309	694504	Motor-Starter				456	692299	Plate-Pawl Friction
310	690323	Bolt (Starter Motor)				459	281505	Pawl-Ratchet
311	497608	Brush Set				467	691668	Knob-Air Cleaner
317	695494	Cover-Starter				474	694457	Alternator
318	693609	Screw (Mounting Bracket)				478	693709	Panel
332	690662	Nut (Flywheel)				493	693599	Bracket-Mounting (Oil Sensor)
333	695711	Armature-Magneto				504	694254	Washer Set-Friction (Used After Code Date 99070400).
334	691061	Screw (Magneto Armature)				504A	495659	Washer Set-Friction (Used Before Code Date 99070500).
337	491055	Plug-Spark				505	691251	Nut (Governor Control Lever)
		<b>Note</b>				510	499308	Drive-Starter
		691043 Plug-Spark	357	692191	Key-Drive Pulley	513	692024	Drive-Clutch
		Used on Type No(s).	358	695155	Gasket Set-Engine	523	693618	Dipstick
		0102, 0110, 0111,	363	19069	Puller-Flywheel	524	281370	Seal-Dipstick Tube
		0115, 0126, 0138,	364	695693	Terminal-Oil Plug	529	692553	Grommet
		0141, 0143, 0146,	365	692568	Screw (Carburetor)	544	692966	Armature-Starter
		0149, 0151, 0154.	383	19374	Wrench-Spark Plug	552	692346	Bushing-Governor Crank
347	697854	Switch-Rocker (3 Tines, No ON/OFF Marking, 3 Position, Non-Lighted)	415	693463	Plug (Crankcase Cover/ Sump)	562	94852	Bolt (Governor Control Lever)
		<b>Note</b>	425	692583	Screw (Air Cleaner Cover)	592	690800	Nut (Rewind Starter)
		692599 Switch-Rocker				597	691696	Screw (Pawl Friction Plate)
		(2 Tines, ON/OFF Marking, 2 Position, Non-Lighted)				598	220624	Shim-Endplay (Crankshaft)
		Used on Type No(s).						
		0124, 0130, 0147.						

★ Included in Engine Gasket Set-Ref. No. 358.

● Included in Carburetor Overhaul Kit-Ref. No. 121.

◆ Included in Carburetor Gasket Set-Ref. No. 977.

⊘ Included in Valve Gasket Set-Ref. No. 1095.

Illustrations cover a range of engines. Parts shown without corresponding text may not be used on your specific engine.

# 111400

REF. NO.	PART NO.	DESCRIPTION	REF. NO.	PART NO.	DESCRIPTION	REF. NO.	PART NO.	DESCRIPTION
601	95162	Clamp-Hose	697	690372	Screw (Drive Cap)	851	493880	Terminal-Spark Plug
608	693394	Starter-Rewind	714	693649	Nut (Stop Wire)	863	692596	Bracket-Muffler
613	691665	Screw (Muffler)	717	693462	Bracket-Air Cleaner	864	694430	Adapter-Muffler
613A	694460	Screw (Muffler)	718	690959	Pin-Locating	868	★∅692044	Seal-Valve
613B	691108	Screw (Muffler)	727	694467	Cover-Starter Drive	875	693459	Base-Air Cleaner (High Mount)
615	692576	Retainer-Governor Shaft	729	694371	Clip-Wire	883	★691893	Gasket-Exhaust (Between Head and Adapter)
616	692547	Crank-Governor	736	693560	Nut-Clip	883A	★697815	Gasket-Exhaust
619	691108	Screw (Cylinder Head Plate)	741	695087	Gear-Timing	890	694933	Bracket-Support
621	692310	Switch-Stop	742	692564	Retainer-E Ring	914	692198	Screw (Rocker Cover)
632	693408	Spring/Link- Mechanical Governor	746	692566	Gear-Idler	914A	692557	Screw (Rocker Cover)
633	◆693867	Seal-Choke/Throttle Shaft (Choke)	773	694258	Retainer	957	694261	Cap-Fuel Tank (Used After Code Date 99070400).
633A	◆◆691321	Seal-Choke/Throttle Shaft (Throttle)	783	692353	Gear-Pinion	<b>Note</b>		
635	692076	Boot-Spark Plug	792	694259	Bracket-Fixed Speed (Used After Code Date 99070400).	493988	Cap-Fuel Tank (Used Before Code Date 99070500).	
635A	692927	Boot-Spark Plug (Handle Type)	797	691029	Nut (Brush Retainer)	958	692586	Valve-Fuel Shut Off
652	691108	Screw (Support Bracket)	799	693609	Screw (Oil Sensor)	961	693598	Screw (Air Cleaner Bracket)
652A	695629	Screw (Support Bracket)	801	694482	Cap-Drive	967	493537	Filter-Pre Cleaner (Flat Panel)
663	694593	Screw (Control Panel) (Used Without Casing Clamp)	802	691286	Cap-End	967A	273356	Filter-Pre Cleaner (High Mount)
668	693604	Spacer (Oil Sensor)	803	693757	Housing-Starter	968	692584	Cover-Air Cleaner (Flat Panel)
668A	694257	Spacer (Control Bracket)	819	691685	Screw (Muffler Bracket)	968A	693460	Cover-Air Cleaner (High Mount)
675	691261	Washer (Brush Retainer)	823	691665	Screw (Muffler Adapter)	971	690370	Screw (Air Cleaner Base)
676	393757	Deflector-Muffler	824	696017	Gasket-Heat Shield	971A	690349	Screw (Air Cleaner Base)
676A	696029	Deflector-Muffler Used on Type No(s). 0124, 0126, 0130, 0138.	830	694544	Stud (Rocker Arm)	971B	691693	Screw (Air Cleaner Base)
677	690661	Screw (Muffler Deflector)	832	693583	Guard-Muffler	972	694260	Tank-Fuel (Used After Code Date 99070400).
689	691855	Spring-Friction	832A	694459	Guard-Muffler	972A	694263	Tank-Fuel (Used Before Code Date 99070500).
692	690572	Spring-Detent	832B	696516	Guard-Muffler	975	493640	Bowl-Float
			836	690661	Screw (Muffler Guard)	977	695156	Gasket Set-Carburetor
			836A	693624	Screw (Muffler Guard)			
			836B	691003	Screw (Muffler Guard)			
			836C	691665	Screw (Muffler Guard)			
			836D	696519	Screw (Muffler Guard)			
			842	691031	Seal-O Ring (Dipstick Tube)			
			843	694061	Sleeve-Lever			
			847	693617	Dipstick/Tube Assembly			

★ Included in Engine Gasket Set-Ref. No. 358.

● Included in Carburetor Overhaul Kit-Ref. No. 121.

◆ Included in Carburetor Gasket Set-Ref. No. 977.

∅ Included in Valve Gasket Set-Ref. No. 1095.

*Illustrations cover a range of engines. Parts shown without corresponding text may not be used on your specific engine.*

5390-14

Assemblies include all parts shown in frames.

4C-8/2002

REF. NO.	PART NO.	DESCRIPTION	REF. NO.	PART NO.	DESCRIPTION	REF. NO.	PART NO.	DESCRIPTION
993	★Ø694088	Gasket-Cylinder Head Plate	1036	696766	Label-Emission (Used After Code Date 01072300).	1058	275092	Owner's Manual (Emission)
1005	692592	Fan-Flywheel			<b>Note</b>	1070	692590	Screw (Flywheel Fan)
1019	694851	Kit-Label			695041	1090	691293	Retainer-Brush
1022	★Ø691890	Gasket Rocker Cover			Emission (Used After Code Date 99093000 and Before Code Date 01072400).	1095	695289	Gasket Set-Valve
1023	499924	Cover-Rocker			694304	1113	692577	Screw (Panel)
1026	693517	Rod-Push			Label-Emission (Used Before Code Date 99100100).	1119	691183	Screw (Alternator)
1029	691230	Arm-Rocker	1051	691265	Ring-Retaining	1172	691676	Screw (Fixed Speed Bracket)
1034	691343	Guide-Push Rod	1052	693805	Sensor-Oil	1210	498144	Pulley/Spring Assembly
			1054	280275	Tie-Cable	1211	498144	Pulley/Spring Assembly (Spring)

★ Included in Engine Gasket Set-Ref. No. 358.

● Included in Carburetor Overhaul Kit-Ref. No. 121.

◆ Included in Carburetor Gasket Set-Ref. No. 977.

Ø Included in Valve Gasket Set-Ref. No. 1095.

*Illustrations cover a range of engines. Parts shown without corresponding text may not be used on your specific engine.*