

# 110400

## Illustrated Parts List

### Model Series

# 110400

TYPE NUMBERS  
0023 through 0224.

For Use On Engines Built Before Date Code – 01083100

### TABLE OF CONTENTS

Air Cleaner .....	8
Blower Housing/Shrouds .....	9
Cams .....	3
Carburetor .....	5
Controls .....	6
Controls .....	7
Crankcase Cover/Sump .....	2
Crankshaft .....	3
Cylinder .....	2
Electric Starter .....	10
Flywheel .....	9
Fuel Tank .....	6
Gear Reducer .....	10
Governor Spring .....	7
Head .....	4
Ignition .....	7
Kits/Gaskets – Carburetor .....	5
Kits/Gaskets – Engine .....	2
Kits/Gaskets – Valve .....	4
Muffler .....	8
Oil Group .....	10
Piston Group .....	3
Rewind .....	9
Valves .....	4

PRINTED IN U.S.A.

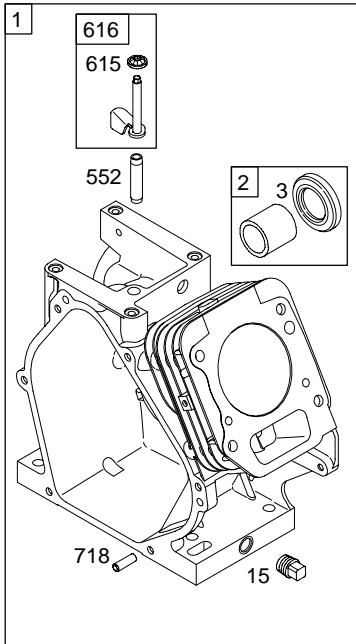
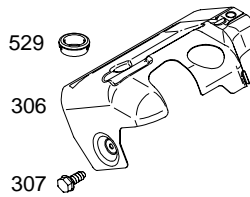


COPYRIGHT by BRIGGS & STRATTON CORPORATION  
 All rights reserved. No part of this material may be reproduced or transmitted, in any form or by any means, electronic or mechanical, including photocopying, recording or by any information storage and retrieval system, without permission in writing from Briggs & Stratton Corporation.

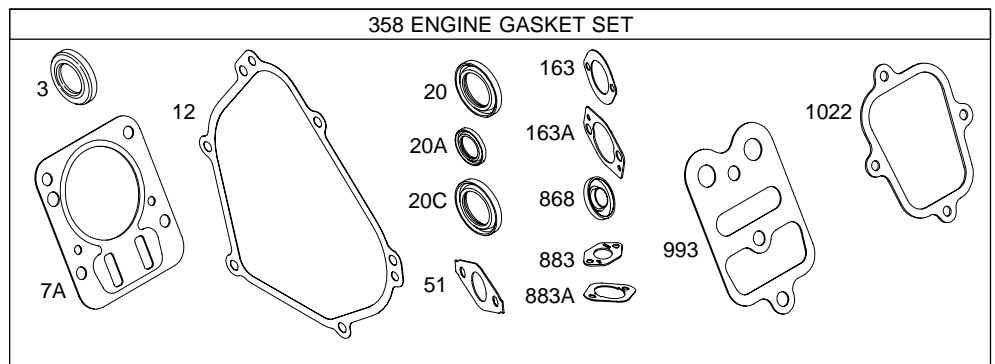
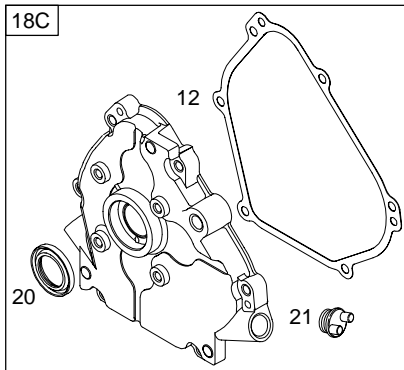
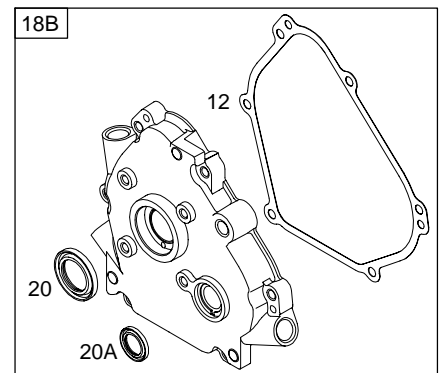
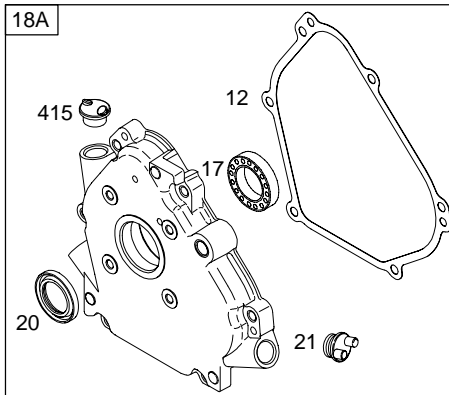
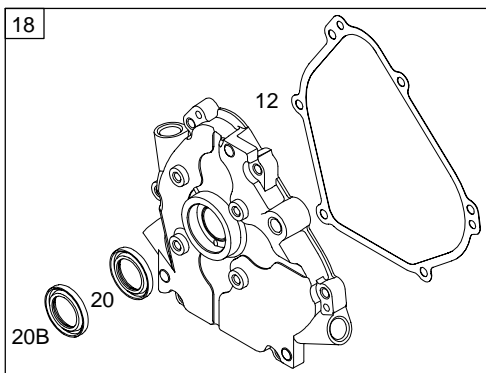
# 110400

1019 LABEL KIT

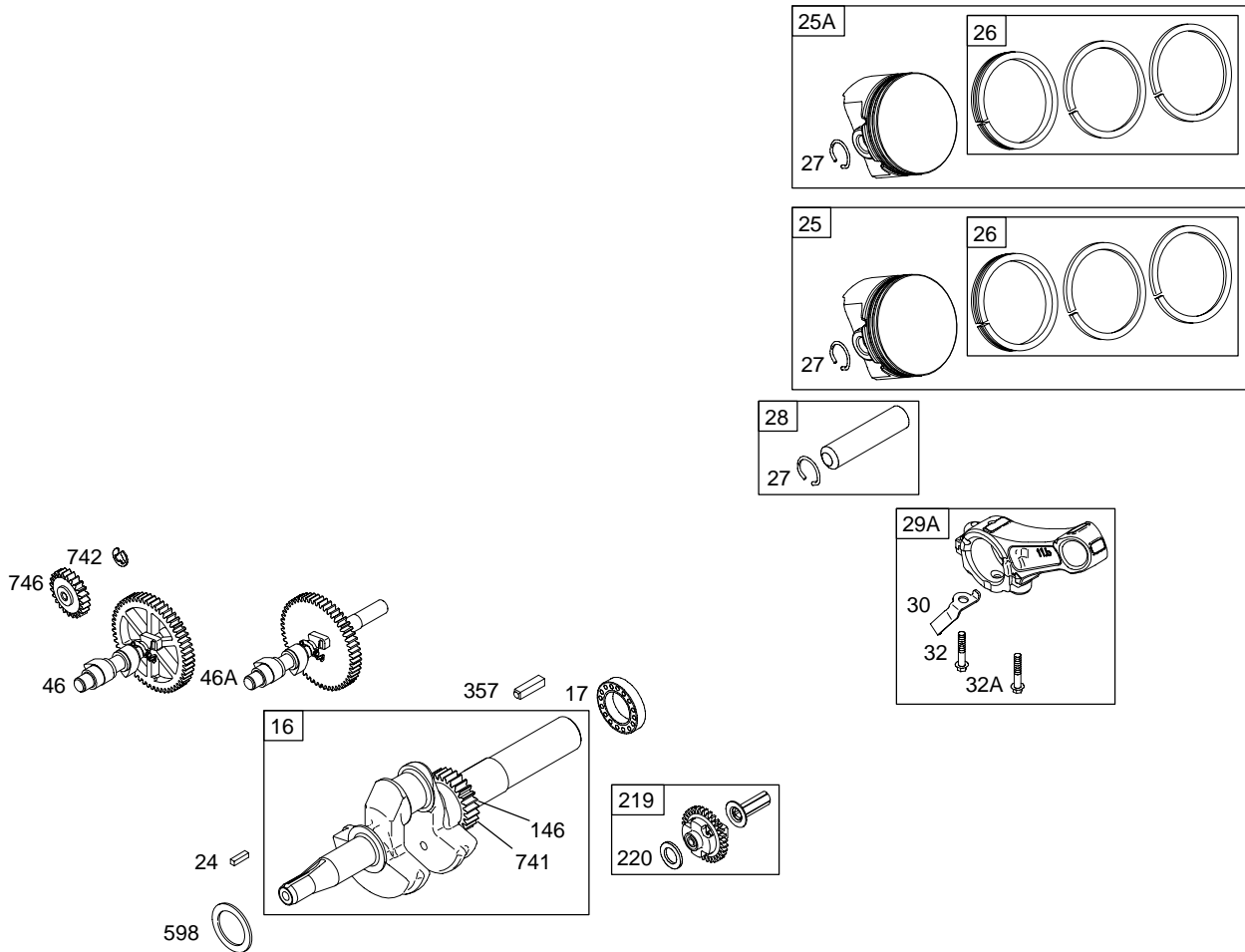
1058 OWNER'S MANUAL



15A

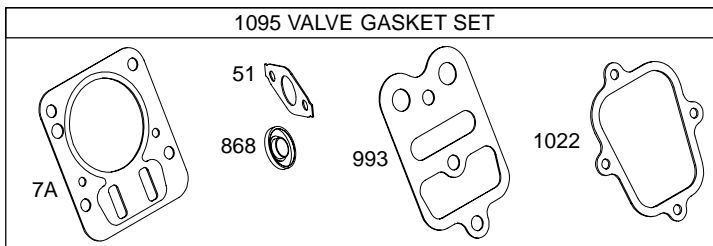
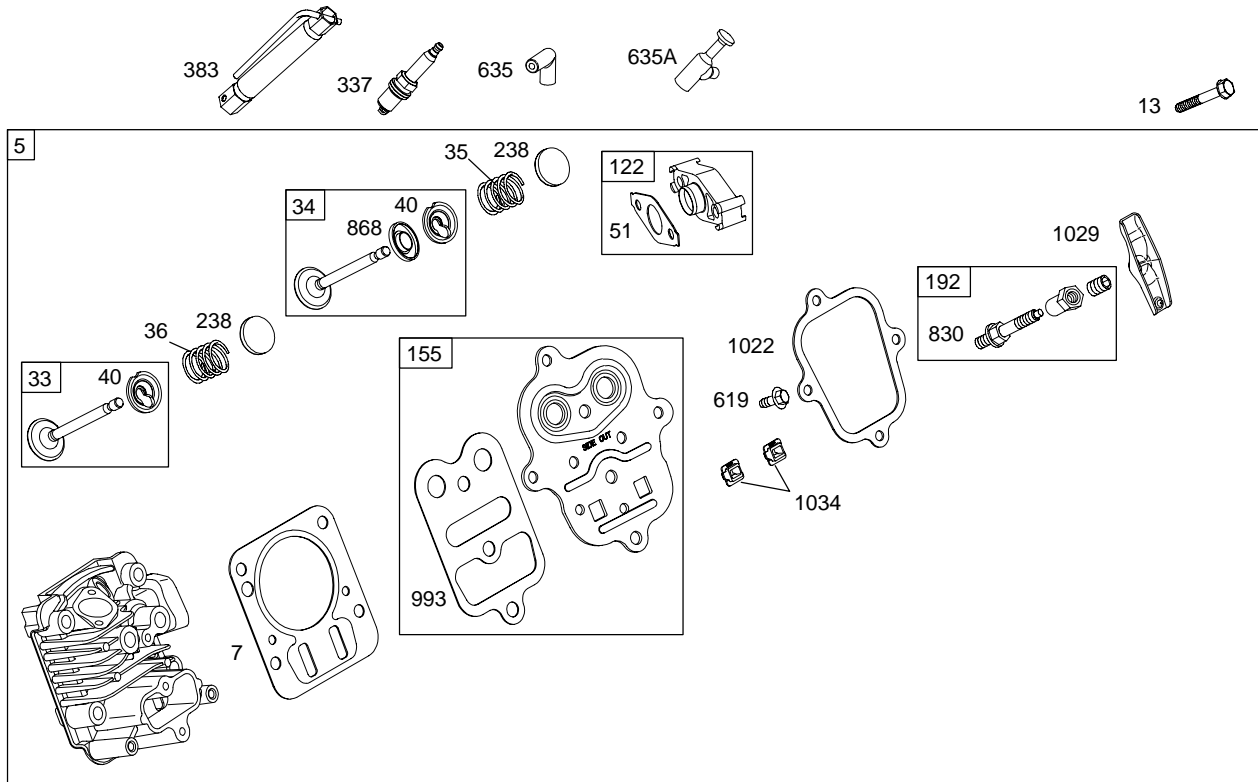


Illustrations cover a range of engines. Parts shown without corresponding text may not be used on your specific engine.  
5349-2 Assemblies include all parts shown in frames. 4C-8/2002



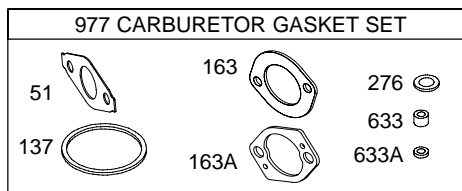
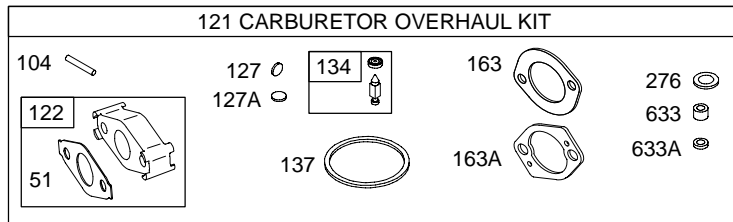
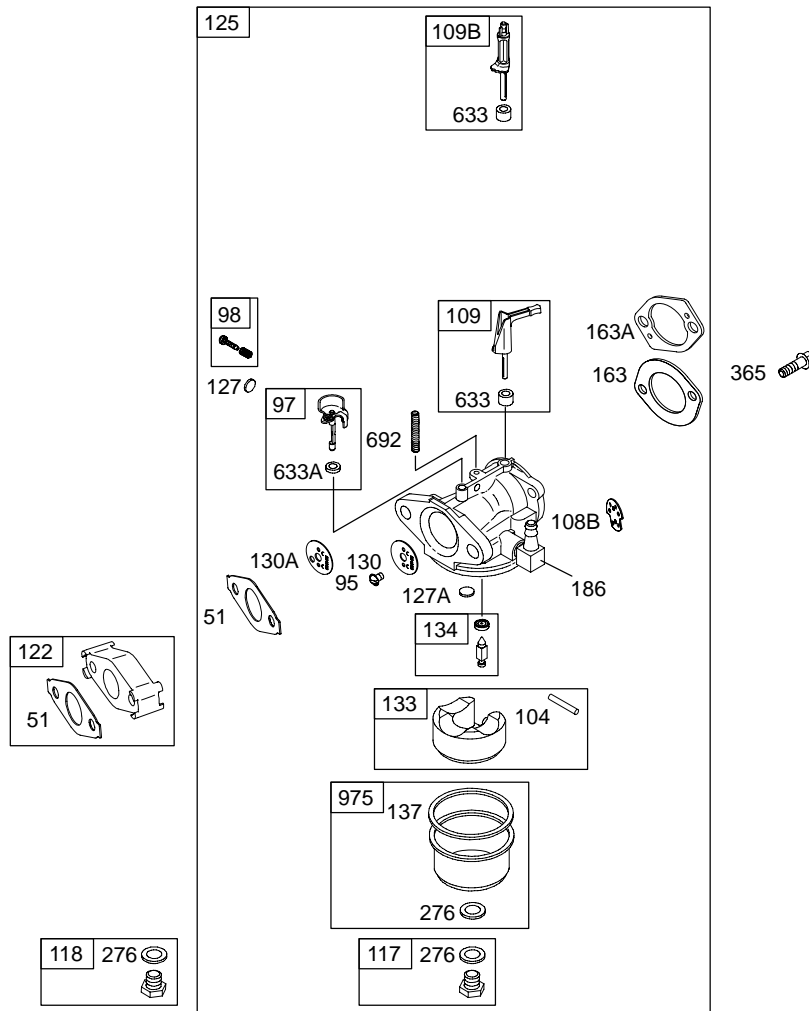
5349-3 *Illustrations cover a range of engines. Parts shown without corresponding text may not be used on your specific engine.* Assemblies include all parts shown in frames. 4C-8/2002

# 110400



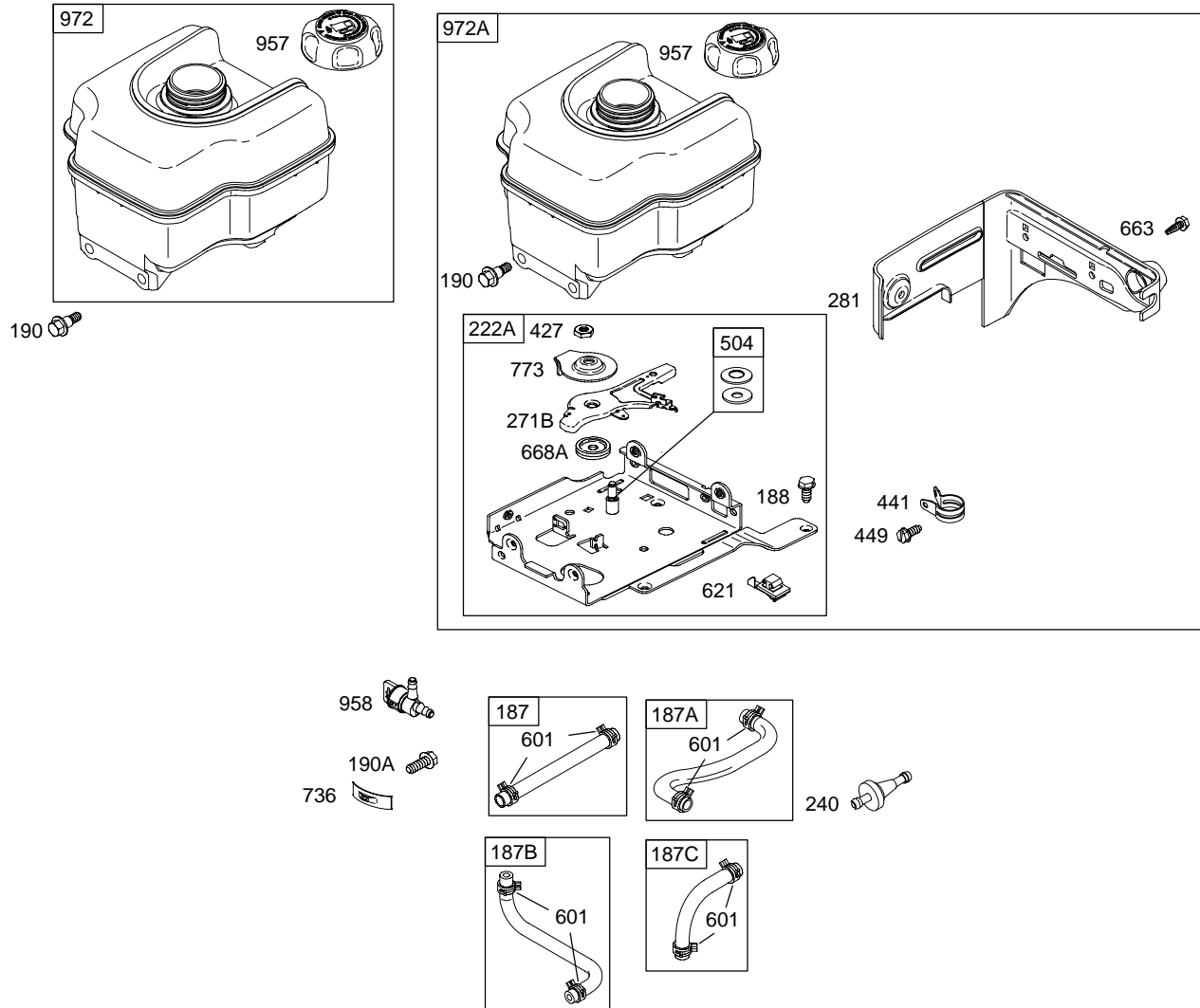
Illustrations cover a range of engines. Parts shown without corresponding text may not be used on your specific engine.  
 5349-4 Assemblies include all parts shown in frames. 4C-8/2002

**NOTE: This Illustration Represents A Number Of Different Carburetors. Parts Shown May Not Be Included In All Kits**

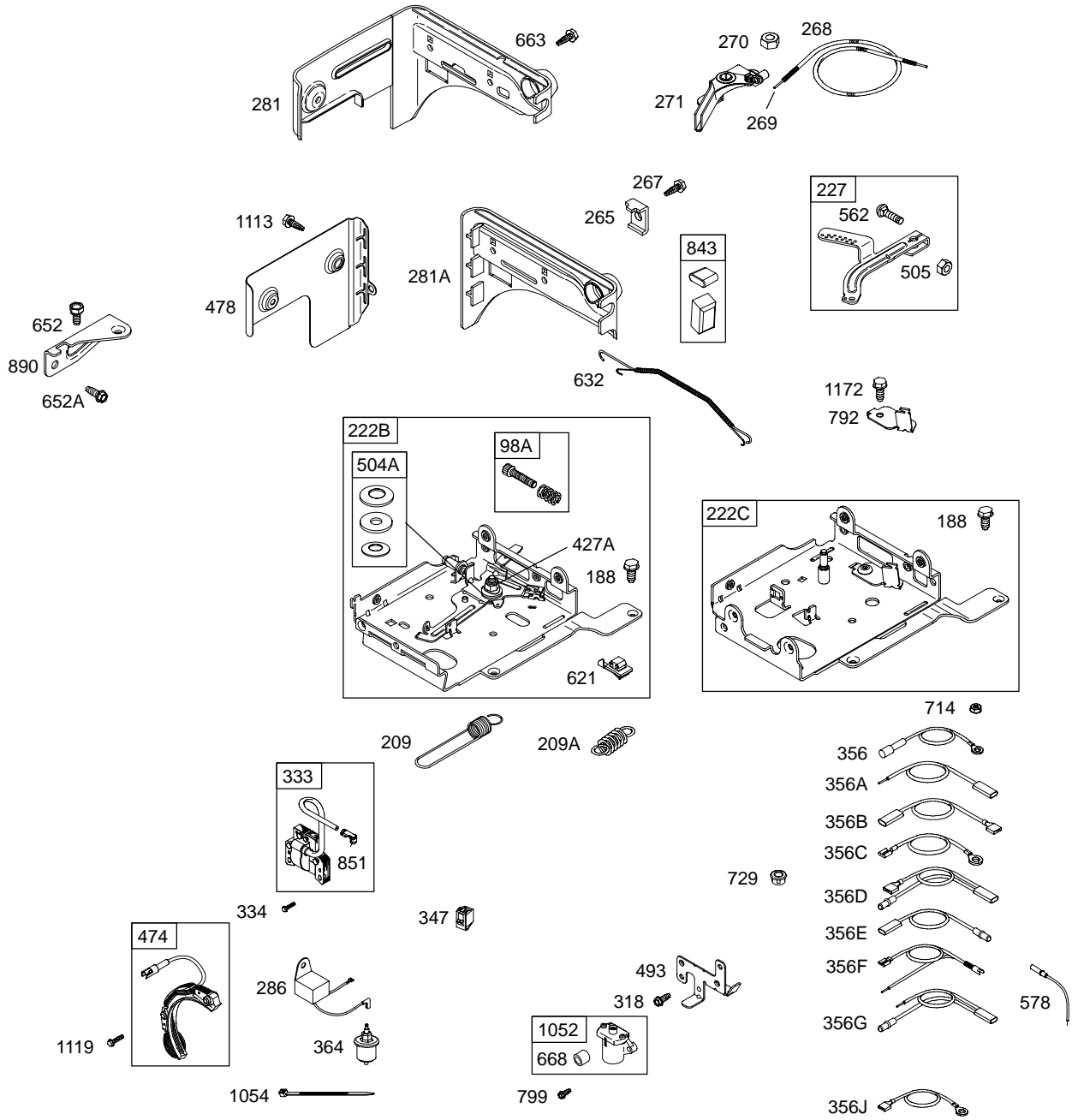


*Illustrations cover a range of engines. Parts shown without corresponding text may not be used on your specific engine.*

# 110400

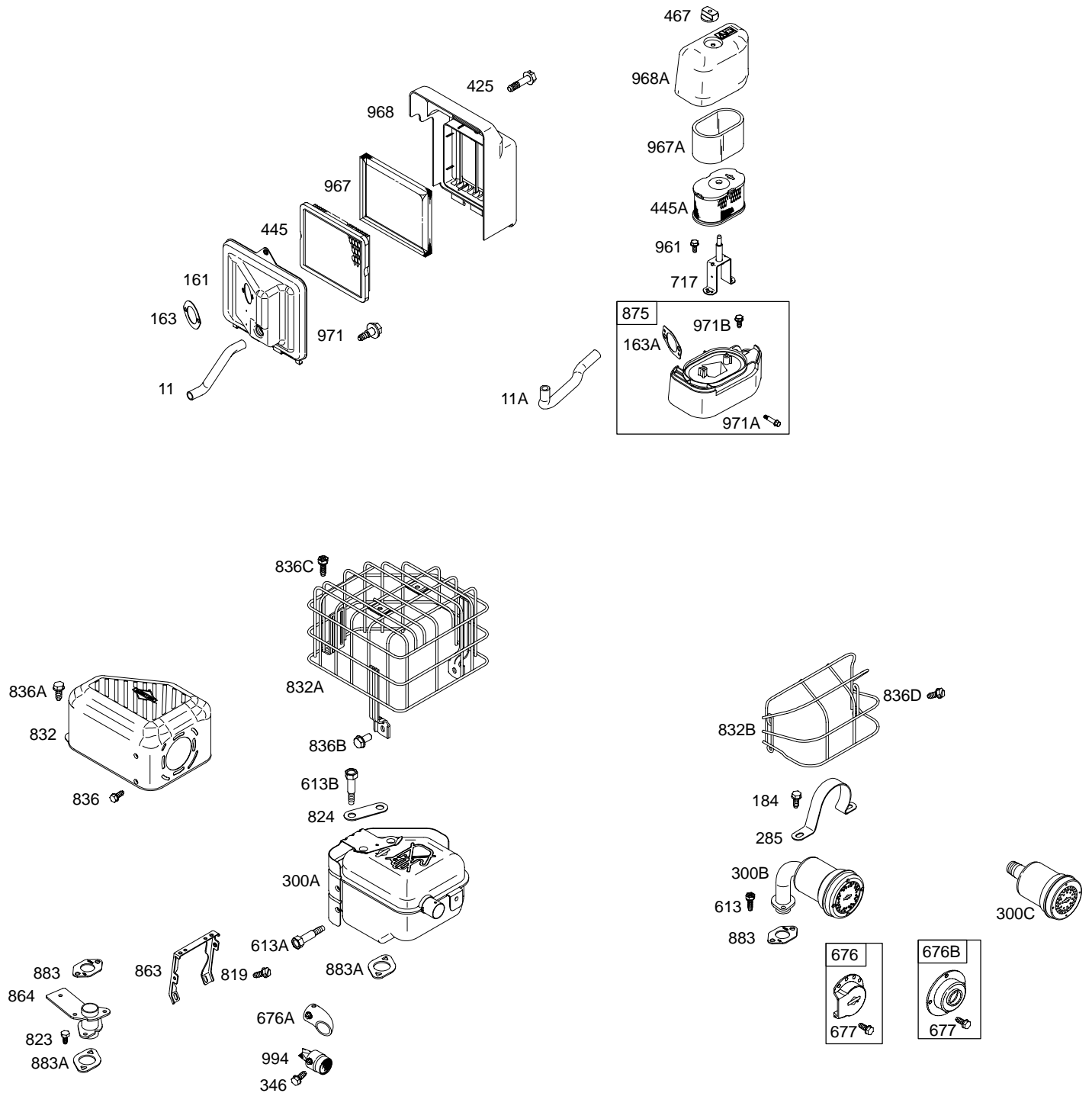


Illustrations cover a range of engines. Parts shown without corresponding text may not be used on your specific engine.  
5349-6 Assemblies include all parts shown in frames. 4C-8/2002



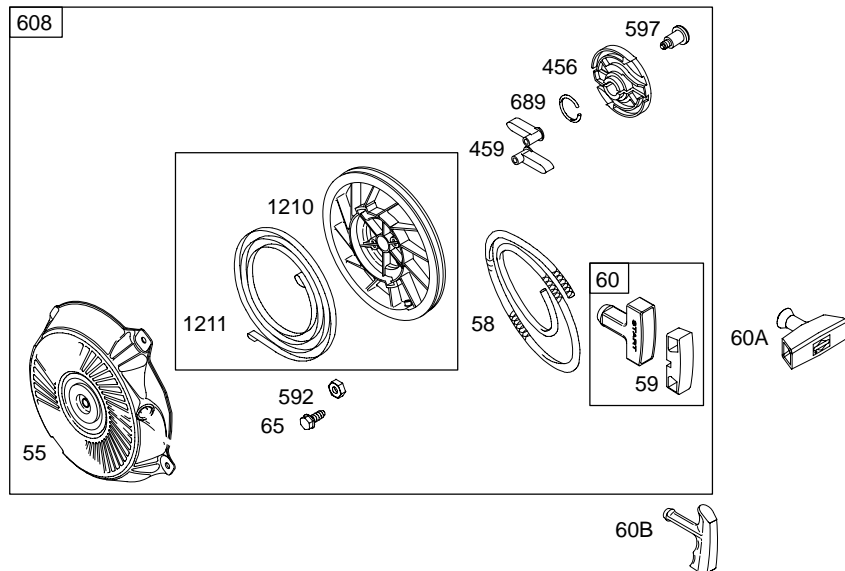
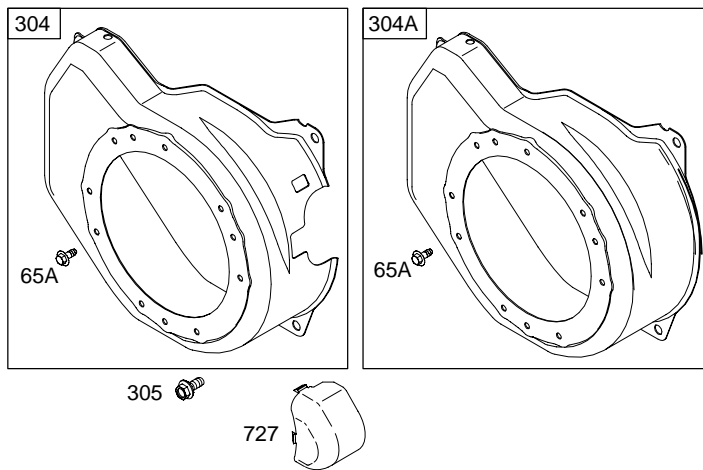
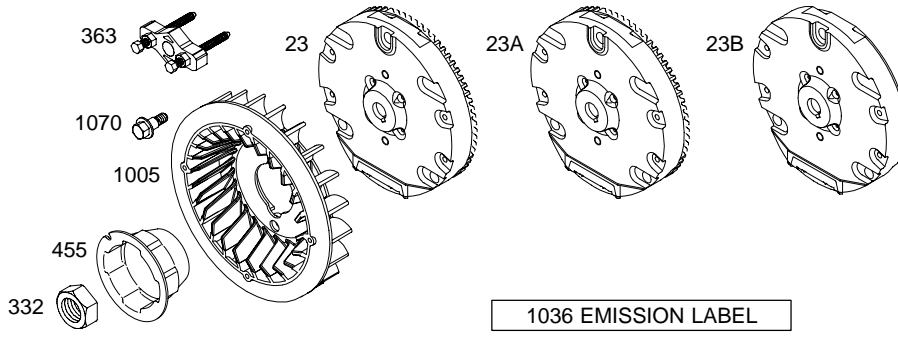
Illustrations cover a range of engines. Parts shown without corresponding text may not be used on your specific engine.  
 5349-7 Assemblies include all parts shown in frames. 4C-8/2002

# 110400



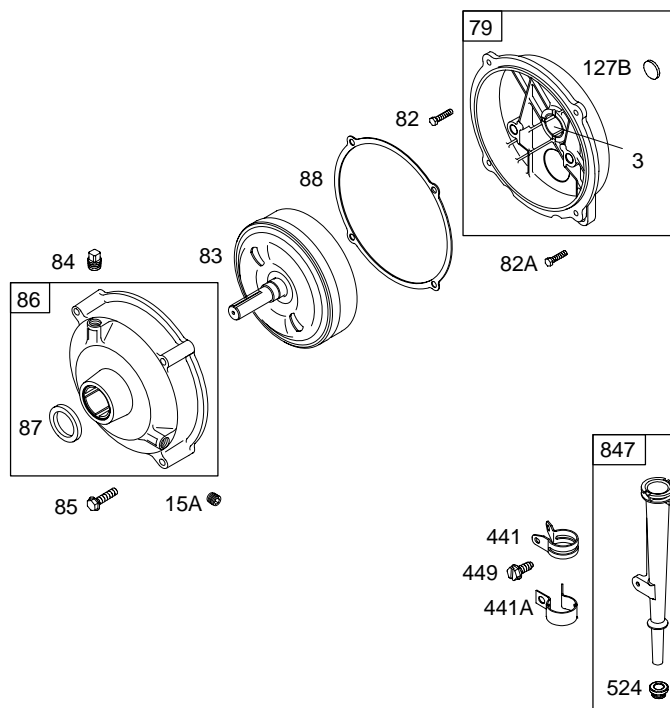
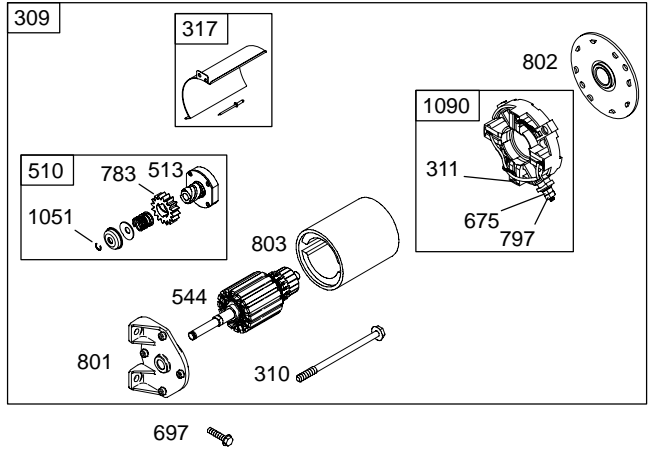
**Illustrations cover a range of engines. Parts shown without corresponding text may not be used on your specific engine.**  
 5349-8 Assemblies include all parts shown in frames. 4C-8/2002





Illustrations cover a range of engines. Parts shown without corresponding text may not be used on your specific engine.  
5349-9 Assemblies include all parts shown in frames. 4C-8/2002

# 110400



*Illustrations cover a range of engines. Parts shown without corresponding text may not be used on your specific engine.*  
 5349-10 Assemblies include all parts shown in frames. 4C-8/2002

REF. NO.	PART NO.	DESCRIPTION	REF. NO.	PART NO.	DESCRIPTION	REF. NO.	PART NO.	DESCRIPTION	
1	693811	Cylinder Assembly <b>Note</b> 694470 Cylinder Assembly Used on Type No(s). 0112, 0146, 0164, 0171, 0219.		693799	Crankshaft Used on Type No(s). 0038, 0115, 0124, 0174, 0177, 0214, 0223. 693802 Crankshaft Used on Type No(s). 0036, 0037, 0064, 0108, 0119, 0121, 0162, 0164, 0171, 0179, 0198, 0202, 0205, 0213, 0215. 694113 Crankshaft Used on Type No(s). 0149, 0161. 694463 Crankshaft Used on Type No(s). 0060, 0112, 0130, 0163, 0191, 0193, 0200, 0212. 694462 Crankshaft Used on Type No(s). 0158, 0217, 0218. 693803 Crankshaft Used on Type No(s). 0049, 0111, 0113.	18A	690047	Cover-Crankcase Used on Type No(s). 0035, 0036, 0037, 0045, 0064, 0108, 0119, 0121, 0149, 0151, 0162, 0164, 0171, 0179, 0198, 0202, 0205, 0213, 0215, 0224.	
2	399269	Kit-Bushing/Seal (Magneto Side)				18B	694833	Cover-Crankcase Used on Type No(s). 0070, 0117, 0165, 0167, 0172, 0185, 0189, 0194, 0196, 0199, 0201, 0204, 0209, 0221.	
3	*299819	Seal-Oil (Magneto Side)				18C	695290	Cover-Crankcase Used on Type No(s). 0111.	
5	693643	Head-Cylinder				20	*692550	Seal-Oil (PTO Side)	
7	698210	Gasket-Cylinder Head				20A	*691952	Seal-Oil (PTO Side) (Auxillary) Used on Type No(s). 0070, 0117, 0165, 0167, 0172, 0185, 0189, 0194, 0196, 0199, 0201, 0204, 0209, 0221.	
11	692600	Tube-Breather (Flat Panel Air Cleaner)				20B	*694171	Seal-Oil (PTO Side) (Auxiliary PTO)	
11A	693647	Tube-Breather (High Mount Air Cleaner)				21	281658	Cap-Oil Fill	
12	*692549	Gasket-Crankcase				22	692551	Screw (Crankcase Cover/Sump)	
13	691137	Screw (Cylinder Head)				23	694902	Flywheel (Electric Start) Used on Type No(s). 0112, 0146, 0164, 0171.	
15	691686	Plug-Oil Drain (Square Head)				23A	695298	Flywheel (Electric Start)	
15A	691682	Plug-Oil Drain (Hex Socket)				23B	692987	Flywheel (Rewind Start)	
16	693796	Crankshaft Used on Type No(s). 0035, 0045, 0151, 0224. <b>Note</b> 693797 Crankshaft Used on Type No(s). 0023, 0043, 0070, 0101, 0105, 0109, 0110, 0114, 0116, 0117, 0122, 0125, 0127, 0144, 0145, 0146, 0150, 0152, 0153, 0154, 0165, 0167, 0170, 0172, 0173, 0180, 0182, 0185, 0186, 0187, 0188, 0189, 0194, 0196, 0199, 0201, 0203, 0204, 0206, 0209, 0210, 0211, 0219, 0221.	17	692517	Bearing-Ball		24	222698	Key-Flywheel
			18	693204	Cover-Crankcase Used on Type No(s). 0023, 0038, 0043, 0049, 0060, 0101, 0105, 0110, 0112, 0113, 0114, 0115, 0116, 0122, 0124, 0125, 0127, 0130, 0144, 0145, 0146, 0150, 0152, 0153, 0154, 0158, 0163, 0170, 0173, 0174, 0177, 0186, 0187, 0188, 0193, 0200, 0203, 0210, 0211, 0212, 0214, 0217, 0219, 0223. <b>Note</b> 694466 Cover-Crankcase Used on Type No(s). 0109, 0161, 0180, 0182, 0191, 0206, 0218.				

★ Included in Engine Gasket Set-Ref. No. 358.

● Included in Carburetor Overhaul Kit Ref. No. 121.

◆ Included in Carburetor Gasket Set-Ref. No. 977.

⊙ Included in Valve Gasket Set-Ref. No. 1095.

*Illustrations cover a range of engines. Parts shown without corresponding text may not be used on your specific engine.*

# 110400

REF. NO.	PART NO.	DESCRIPTION	REF. NO.	PART NO.	DESCRIPTION	REF. NO.	PART NO.	DESCRIPTION
25A	690021	Piston Assembly (Standard) <b>Note</b> 694167 Piston Assembly (.010" Oversize) 694168 Piston Assembly (.020" Oversize) 694169 Piston Assembly (.030" Oversize)	45	690977	Tappet-Valve	65	690837	Screw (Rewind Starter)
			46	693404	Camshaft	65A	692608	Screw (Rewind Starter)
			46A	695285	Camshaft Used on Type No(s). 0117, 0189, 0194, 0196, 0201, 0204, 0209. <b>Note</b> 694831 Camshaft Used on Type No(s). 0070, 0165, 0167, 0172, 0185, 0199, 0221.	79	694511	Case-Gear Reduction
26	499631	Ring Set (Standard) <b>Note</b> 692785 Ring Set (.010" Oversize) 692786 Ring Set (.020" Oversize) 692787 Ring Set (.030" Oversize)	51	692555	Gasket-Intake	82	690369	Screw (Gear Reduction Case)
			55	691422	Housing-Rewind Starter <b>Note</b> 691421 Housing-Rewind Starter Used on Type No(s). 0206, 0211.	82A	691122	Screw (Gear Reduction Case)
27	691866	Lock-Piston Pin	58	693389	Rope-Starter (Cut to Required Length) <b>Note</b> 692259 Rope-Starter (Cut to Required Length) Used on Type No(s). 0206.	83	690374	Shaft-Auxiliary Drive
28	499423	Pin-Piston				84	691121	Plug-Breather (Gear Reduction)
29A	499424	Rod-Connecting				85	692551	Screw (Gear Cover to Gear Reduction Case)
30	692562	Dipper-Connecting Rod				86	690608	Cover-Gear
32	691664	Screw (Connecting Rod)				87	691582	Seal-Gear Reduction
32A	695759	Screw (Connecting Rod) (Used After Code Date 00022000).				88	691600	Gasket-Gear Reduction Cover
			59	805957	Insert-Grip	95	691636	Screw (Throttle Valve)
33	499642	Valve-Exhaust	60	715257	Grip-Starter Rope (2 Piece)	97	690024	Shaft-Throttle
34	499641	Valve-Intake	60A	691915	Grip-Starter Rope (1 Piece) Used on Type No(s). 0206.	98	398185	Kit-Idle Speed (Carburetor)
35	691304	Spring-Valve (Intake)				98A	493280	Kit-Idle Speed (Control Bracket)
36	691304	Spring-Valve (Exhaust)				104	691242	Pin-Float Hinge
40	692194	Retainer-Valve	60B	281434	Grip-Starter Rope (1 Piece)	108B	692567	Valve-Choke
						109	690023	Shaft-Choke (Straight Handle)
						109B	693628	Shaft-Choke (No Handle) Used on Type No(s). 0037, 0038, 0108, 0125, 0127, 0152, 0158, 0161, 0163, 0177, 0180, 0182, 0186, 0200, 0202, 0205, 0217, 0218.

★ Included in Engine Gasket Set-Ref. No. 358.

● Included in Carburetor Overhaul Kit Ref. No. 121.

◆ Included in Carburetor Gasket Set-Ref. No. 977.

⊘ Included in Valve Gasket Set-Ref. No. 1095.

Illustrations cover a range of engines. Parts shown without corresponding text may not be used on your specific engine.

REF. NO.	PART NO.	DESCRIPTION	REF. NO.	PART NO.	DESCRIPTION	REF. NO.	PART NO.	DESCRIPTION
117	498976	Jet–Main (Standard) <b>Note</b> 493763 Jet–Main (Standard) Used on Type No(s). 0037, 0108, 0125, 0127, 0152, 0158, 0161, 0163, 0180, 0182, 0186, 0200, 0205, 0217, 0218. 695042 Jet–Main (Standard) Used on Type No(s). 0038, 0115, 0124, 0174, 0177, 0214, 0223. 694975 Jet–Main (Standard) Used on Type No(s). 0202, 0206, 0211.	125	693865	Carburetor <b>Note</b> 694112 Carburetor Used on Type No(s). 0037, 0108, 0125, 0127, 0152, 0158, 0161, 0163, 0180, 0182, 0186, 0200, 0205, 0217, 0218. 694857 Carburetor Used on Type No(s). 0038, 0115, 0124, 0174, 0177, 0214, 0223. 696065 Carburetor Used on Type No(s). 0206, 0211. 696115 Carburetor Used on Type No(s). 0202.	163A	693458	Gasket–Air Cleaner (High Mount)
118	498977	Jet–Main (High Altitude) <b>Note</b> 493637 Jet–Main (High Altitude) Used on Type No(s). 0037, 0108, 0125, 0127, 0152, 0158, 0161, 0163, 0180, 0182, 0186, 0200, 0205, 0217, 0218. 694975 Jet–Main (High Altitude) Used on Type No(s). 0038, 0115, 0124, 0174, 0177, 0214, 0223. 694250 Jet–Main (High Altitude) Used on Type No(s). 0202, 0206, 0211.	127	691739	Plug–Welch (5/16" Diameter)	170	691120	Stud (Crankcase Cover) Used on Type No(s). 0211.
121	695157	Kit–Carburetor Overhaul	127A	694468	Plug–Welch (3/8" Diameter)	184	691685	Screw (Muffler Strap)
122	693749	Spacer–Carburetor <b>Note</b> 695286 Spacer–Carburetor Used on Type No(s). 0170, 0185.	127B	691585	Plug–Welch (7/8" Diameter)	186	692317	Connector–Hose
			130	691181	Valve–Throttle	187	691050	Line–Fuel (Straight) (Cut to Required Length)
			130A	691203	Valve–Throttle Used on Type No(s). 0038, 0115, 0124, 0174, 0177, 0214, 0223.	187A	692601	Line–Fuel (Molded)
			133	398187	Floater–Carburetor	187B	693401	Line–Fuel (Molded)
			134	398188	Kit–Needle/Seat	187C	694486	Line–Fuel (Molded) Used on Type No(s). 0108, 0215.
			137	693981	Gasket–Float Bowl	188	690877	Screw (Control Bracket)
			146	690979	Key–Timing	190	692127	Screw (Fuel Tank)
			155	698214	Plate–Cylinder Head	190A	690877	Screw (Fuel Tank)
			161	692579	Base–Air Cleaner (Metal)(Flat Panel) <b>Note</b> 696063 Base–Air Cleaner (Metal)(Flat Panel) Used on Type No(s). 0206.	192	694543	Adjuster–Rocker Arm
						209	692571	Spring–Governor (Silver) <b>Note</b> 693206 Spring–Governor (Yellow) Used on Type No(s). 0023, 0035, 0038, 0045, 0060, 0070, 0112, 0115, 0151, 0163, 0191, 0198, 0212, 0214. 693710 Spring–Governor (Black) Used on Type No(s). 0117, 0144, 0152, 0154, 0196, 0201.
			163	272948	Gasket–Air Cleaner (Flat Panel) <b>Note</b> 696024 Gasket–Air Cleaner (Flat Panel) Used on Type No(s). 0206.			

★ Included in Engine Gasket Set–Ref. No. 358.

● Included in Carburetor Overhaul Kit Ref. No. 121.

◆ Included in Carburetor Gasket Set–Ref. No. 977.

⊗ Included in Valve Gasket Set–Ref. No. 1095.

*Illustrations cover a range of engines. Parts shown without corresponding text may not be used on your specific engine.*

# 110400

REF. NO.	PART NO.	DESCRIPTION	REF. NO.	PART NO.	DESCRIPTION	REF. NO.	PART NO.	DESCRIPTION
209A	691278	Spring–Governor (Platinum)	304	694378	Housing–Blower	356B	692602	Stop Wire (1 Wire, 14" Long)
219	693578	Gear–Governor	304A	693621	Housing–Blower			(Snap Connect Insulated Female Blade Terminal, And Insulated Push–On Female Blade Terminal)
220	691724	Washer (Governor Gear)	305	690960	Screw (Blower Housing)	356C	695630	Stop Wire (1 Wire, 6–1/2" Long)
222A	694253	Bracket–Control (Used After Code Date 99070400).	306	693610	Shield–Cylinder			(Push–On Female Blade Terminal, And Ring Terminal)
222B	694263	Bracket–Control (Used Before Code Date 99070500).	307	690345	Screw (Cylinder Shield)	356D	693651	Stop Wire (2 Wires, 14" And 10" Long)(Snap Connect Insulated Female Blade Terminal, Snap Connect Insulated Female Blade Terminal, And Snap Connect Insulated Female Blade Terminal)
222C	696288	Bracket–Control Used on Type No(s). 0217, 0218.	309	694504	Motor–Starter			
227	692573	Control Lever–Governor	310	690323	Bolt (Starter Motor)	356E	694372	Stop Wire (1 Wire, 13–5/8" Long)
238	691300	Cap–Valve	311	497608	Brush Set			(Snap Connect Insulated Female Blade Terminal, And Snap Connect Insulated Female Blade Terminal)
240	694485	Filter–Fuel	317	695494	Cover–Starter			
265	691024	Clamp–Casing	318	693609	Screw (Mounting Bracket)			
267	692577	Screw (Casing Clamp)	332	690662	Nut (Flywheel)			
268	691025	Casing–Control Wire (72" Long) (Cut to Required Length)	333	695711	Armature–Magneto			
269	691026	Wire–Control (78" Long) (Cut to Required Length)	334	691061	Screw (Magneto Armature)			
270	691027	Nut (Control Wire Casing)	337	491055	Plug–Spark (Resistor)			
271	691028	Lever–Control			<b>Note</b>			
271B	694256	Lever–Control	346	690661	691043 Plug–Spark Screw (Spark Arrestor)			
276 ♦	271716	Washer–Sealing	347	697854	Switch–Rocker (3 Tines, On/Off Marking, 3 Position, Non–Lighted)			
281	694252	Panel–Control (Used After Code Date 99070400).			<b>Note</b>			
281A	693407	Panel–Control (Used Before Code Date 99070500).			692599 Switch–Rocker (2 Tines, On/Off Marking, 2 Position, Non Lighted)			
285	692595	Strap–Muffler	356	693650	Wire–Stop (1 Wire, 6–1/4" Long) (Ring Terminal, And Push–On Insulated Pin Socket)			
286	697939	Module–Oil Sensor						
300A	694429	Muffler (Super Lo Tone)	356A	692390	Stop Wire (1 Wire, 17" Long) (Snap Connect Insulated Female Blade Terminal, And Bare Wire End)			
300B	693593	Muffler (Lo Tone)						
300C	692580	Muffler Used on Type No(s). 0049.						

★ Included in Engine Gasket Set–Ref. No. 358.

● Included in Carburetor Overhaul Kit Ref. No. 121.

♦ Included in Carburetor Gasket Set–Ref. No. 977.

⊘ Included in Valve Gasket Set–Ref. No. 1095.

*Illustrations cover a range of engines. Parts shown without corresponding text may not be used on your specific engine.*

REF. NO.	PART NO.	DESCRIPTION	REF. NO.	PART NO.	DESCRIPTION	REF. NO.	PART NO.	DESCRIPTION
357	692191	Key-Drive Pulley <b>Note</b> 691483 Key-Drive Pulley Used on Type No(s). 0200.	505	691251	Nut (Governor Control Lever)	633	693867	Seal-Choke/Throttle Shaft
358	695155	Gasket Set-Engine	510	499308	Drive-Starter	633A	691321	Seal-Choke/Throttle Shaft
363	19069	Puller-Flywheel	513	692024	Drive-Clutch	635	692076	Boot-Spark Plug
364	695693	Terminal-Oil Plug	523	693618	Dipstick	635A	692927	Boot-Spark Plug
365	692568	Screw (Carburetor)	524	281370	Seal-Dipstick Tube	652	691108	Screw (Support Bracket)
383	19374	Wrench-Spark Plug	529	692553	Grommet	652A	695629	Screw (Support Bracket)
415	693463	Plug (Crankcase Cover)	544	692966	Armature-Starter	663	694593	Screw (Control Panel) (Used Without Casing Clamp)
425	692583	Screw (Air Cleaner Cover)	552	692346	Bushing-Governor Crank	668	693604	Spacer (Oil Sensor)
427	694255	Nut (Control Bracket) (Used After Code Date 99070400).	562	94852	Bolt (Governor Control Lever)	668A	694257	Spacer (Control Bracket)
427A	692575	Nut (Control Bracket) (Used Before Code Date 99070500).	578	692306	Wire Assembly (1 Wire, 48-1/2" Long)(Snap Connect Female Pin Socket, And Bare Wire End)	675	691261	Washer (Brush Retainer)
441	694262	Bracket-Oil Fill (Used After Code Date 99070400).	592	690800	Nut (Rewind Starter)	676	393757	Deflector-Muffler
441A	693616	Bracket-Oil Fill (Used Before Code Date 99070500).	597	691696	Screw (Pawl Friction Plate)	676A	696029	Deflector-Muffler
445	491588	Filter-Air Cleaner Cartridge (Flat Panel)	598	220624	Shim-Endplay (Crankshaft)	676B	395700	Deflector-Muffler
445A	697029	Filter-Air Cleaner Cartridge (High Mount)	601	95162	Clamp-Hose	677	690661	Screw (Muffler Deflector)
449	691693	Screw (Oil Fill Bracket)	608	693394	Starter-Rewind <b>Note</b> 497680 Starter-Rewind Used on Type No(s). 0206, 0211.	689	691855	Spring-Friction (Rewind Start)
455	692591	Cup-Flywheel	613	691665	Screw (Muffler)	692	690572	Spring-Detent
456	692299	Plate-Pawl Friction	613A	694460	Screw (Muffler)	697	690372	Screw (Drive Cap)
459	281505	Pawl-Ratchet	613B	691108	Screw (Muffler)	714	693649	Nut (Stop Wire)
467	691668	Knob-Air Cleaner	615	692576	Retainer-Governor Shaft	717	693462	Bracket-Air Cleaner
474	694457	Alternator	616	692547	Crank-Governor	718	690959	Pin-Locating
478	693709	Panel	619	691108	Screw (Cylinder Head Plate)	727	694467	Cover-Starter Drive
493	693599	Bracket-Mounting (Oil Sensor)	621	692310	Switch-Stop	729	694371	Clip-Wire
504	694254	Washer Set-Friction (Used After Code Date 99070400).	632	693408	Spring/Link-Mechanical Governor	736	693560	Nut-Clip
504A	495659	Washer Set-Friction (Used Before Code Date 99070500).				741	695087	Gear-Timing
						742	692564	Retainer-E Ring
						746	692566	Gear-Idler
						773	694258	Retainer
						783	692353	Gear-Pinion
						792	694259	Bracket-Fixed Speed (Used After Code Date 99070400).
						797	691029	Nut (Brush Retainer)
						799	693609	Screw (Oil Sensor)

★ Included in Engine Gasket Set-Ref. No. 358.

● Included in Carburetor Overhaul Kit Ref. No. 121.

◆ Included in Carburetor Gasket Set-Ref. No. 977.

⊘ Included in Valve Gasket Set-Ref. No. 1095.

*Illustrations cover a range of engines. Parts shown without corresponding text may not be used on your specific engine.*

# 110400

REF. NO.	PART NO.	DESCRIPTION	REF. NO.	PART NO.	DESCRIPTION	REF. NO.	PART NO.	DESCRIPTION	
801	694482	Cap-Drive	914A	692557	Screw (Rocker Cover)	1029	691230	Arm-Rocker	
802	691286	Cap-End				1034	691343	Guide-Push Rod	
803	693757	Housing-Starter	957	694261	Cap-Fuel Tank (Used After Code Date 99070400).	1036	696766	Label-Emission (Used After Code Date 01072400).	
819	691685	Screw (Muffler Bracket)			<b>Note</b>			<b>Note</b>	
823	691665	Screw (Muffler Adapter)			493988	Cap-Fuel Tank (Used Before Code Date 99070500).		695041	Label-Emission (Used Before Code Date 01072300 and After Code Date 99093000).
824	696017	Gasket-Heat Shield	958	692586	Valve-Fuel Shut Off			694304	Label-Emission (Used Before Code Date 99100100 and After Code Date 98123100).
830	694544	Stud (Rocker Arm)	961	693598	Screw (Air Cleaner Bracket)			693875	Label-Emission (Used Before Code Date 99010100).
832	693583	Guard-Muffler	967	493537	Filter-Pre Cleaner (Flat Panel)				
832A	694459	Guard-Muffler	967A	273356	Filter-Pre Cleaner (High Mount)				
832B	696516	Guard-Muffler	968	692584	Cover-Air Cleaner (Flat Panel)				
836	690661	Screw (Muffler Guard)	968A	693460	Cover-Air Cleaner (High Mount)				
836A	693624	Screw (Muffler Guard)	971	690370	Screw (Air Cleaner Base)	1051	691265	Ring-Retaining	
836B	691003	Screw (Muffler Guard)	971A	690349	Screw (Air Cleaner Base)	1052	696954	Sensor-Oil	
836C	691665	Screw (Muffler Guard)	971B	691693	Screw (Air Cleaner Base)	1054	280275	Tie-Cable	
836D	696519	Screw (Muffler Guard)	972	694260	Tank-Fuel (Used After Code Date 99070400).	1058	275092	Owner's Manual (Emission)	
842	691031	Seal-O Ring (Dipstick Tube)	972A	694263	Tank-Fuel (Used Before Code Date 99070500).	1070	692590	Screw (Flywheel Fan)	
843	694061	Sleeve-Lever	975	493640	Bowl-Float	1090	691293	Retainer-Brush	
847	693617	Dipstick/Tube Assembly	977	695156	Gasket Set-Carbutetor	1095	695289	Gasket Set-Valve	
851	493880	Terminal-Spark Plug	993	694088	Gasket-Cylinder Head Plate	1113	692577	Screw (Panel)	
863	692596	Bracket-Muffler	994	690813	Arrester-Spark	1119	691183	Screw (Alternator)	
864	694430	Adapter-Muffler	1005	692592	Fan-Flywheel	1172	691676	Screw (Fixed Speed Bracket)	
868	692044	Seal-Valve	1019	694851	Kit-Label	1210	498144	Pulley/Spring Assembly (Pulley)	
875	693459	Base-Air Cleaner (High Mount)	1022	691890	Gasket-Rocker Cover	1211	498144	Pulley/Spring Assembly (Pawl Friction Plate)	
883	691893	Gasket-Exhaust (Between Adapter And Head)	1023	499924	Cover-Rocker				
883A	697815	Gasket-Exhaust	1026	693517	Rod-Push				
890	694933	Bracket-Support							
914	692198	Screw (Rocker Cover)							

★ Included in Engine Gasket Set-Ref. No. 358.

● Included in Carburetor Overhaul Kit Ref. No. 121.

◆ Included in Carburetor Gasket Set-Ref. No. 977.

⊘ Included in Valve Gasket Set-Ref. No. 1095.

*Illustrations cover a range of engines. Parts shown without corresponding text may not be used on your specific engine.*