

19K400

Illustrated Parts List

Model Series

19K400

TYPE NUMBERS
0110 through 0115.

For Use On Engines Built Before Date Code – 02051800

TABLE OF CONTENTS

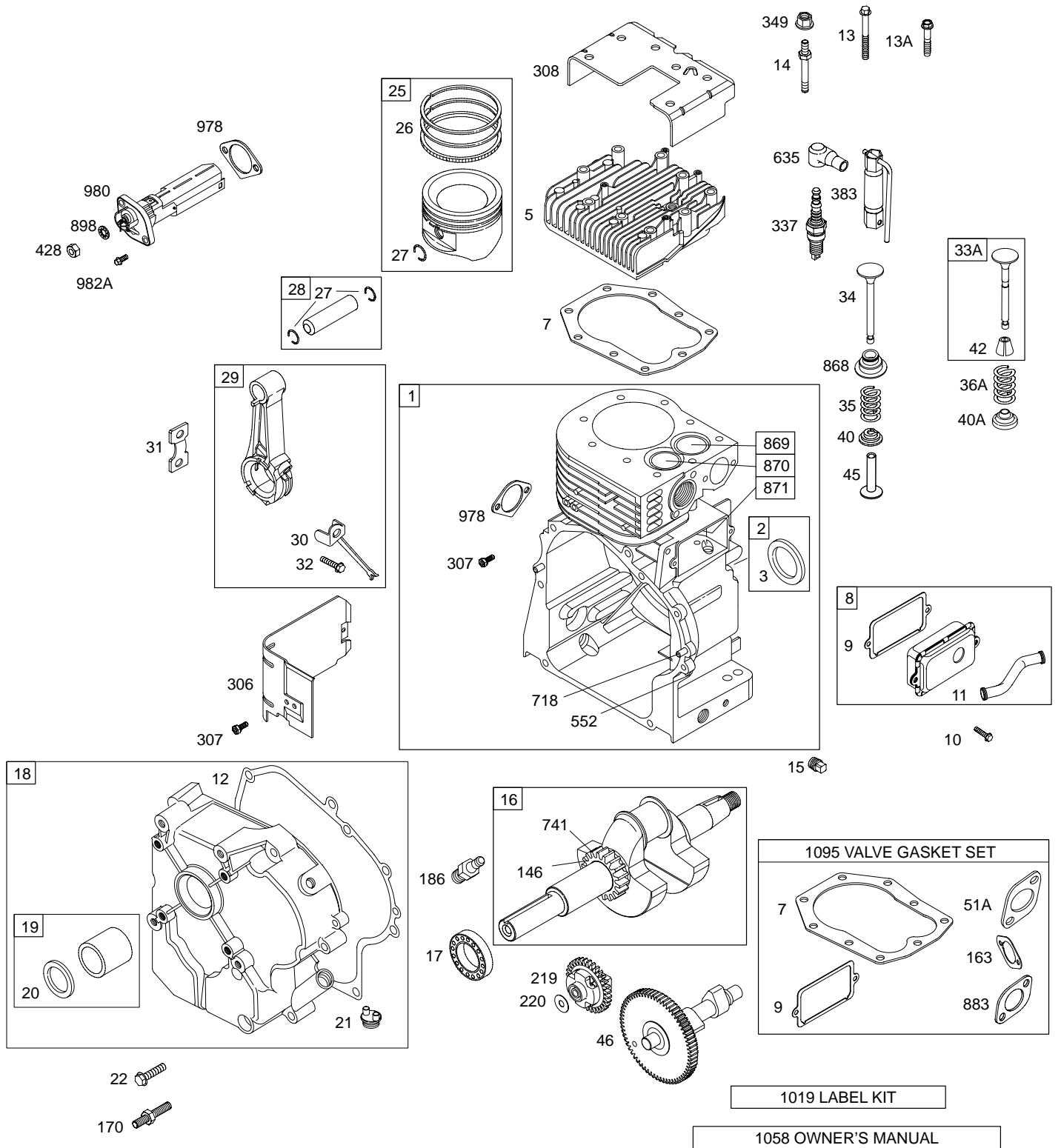
Air Cleaner Group	4
Alternator	8
Blower Housing/Shrouds	5
Cam	2
Carburetor	3
Controls	7
Crankcase Cover/Sump	2
Crankshaft	2
Cylinder Group	2
Electric Starter	6
Flywheel Group	6
Fuel Tank Group	7
Governor Spring	7
Head	2
Ignition	6
Kits/Gaskets–Carburetor	3
Kits/Gaskets–Valve	8
Muffler	4
Oil	2
Piston Group	2
Rewind	5
Valves	2

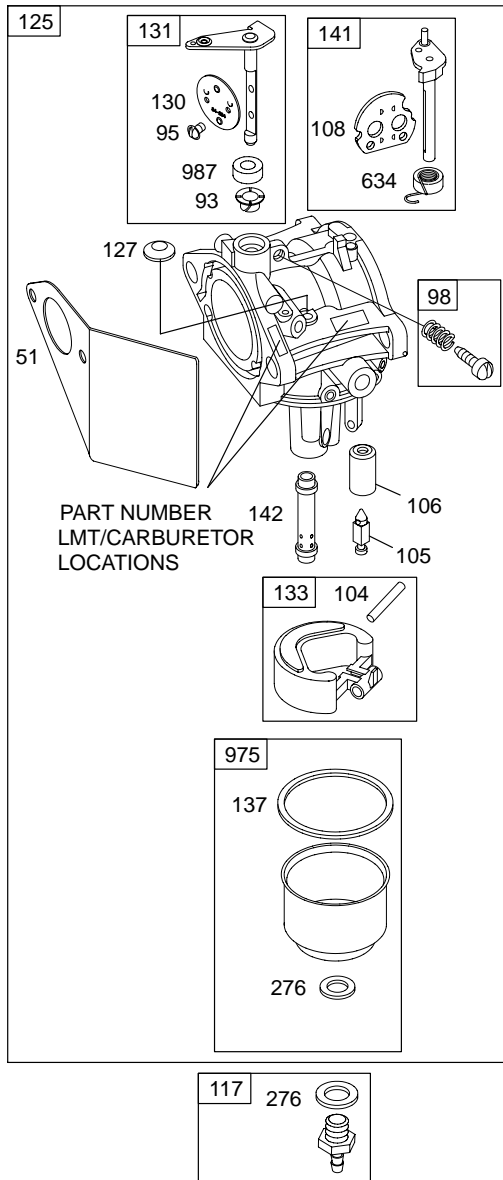
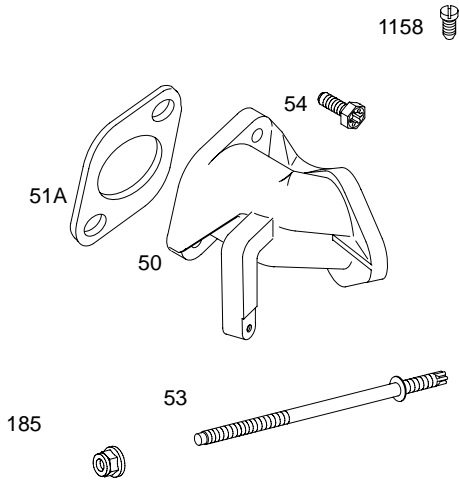
PRINTED IN U.S.A.



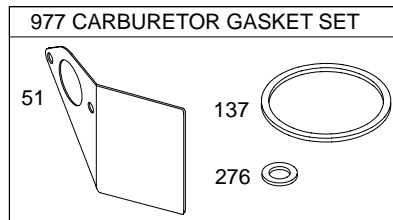
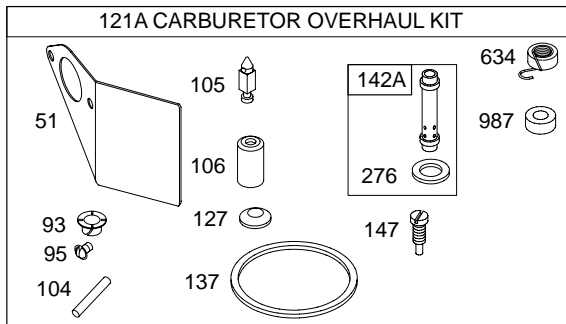
COPYRIGHT by BRIGGS & STRATTON CORPORATION
 All rights reserved. No part of this material may be reproduced or transmitted, in any form or by any means, electronic or mechanical, including photocopying, recording or by any information storage and retrieval system, without permission in writing from Briggs & Stratton Corporation.

19K400

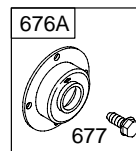
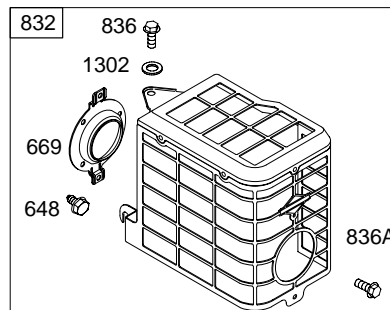
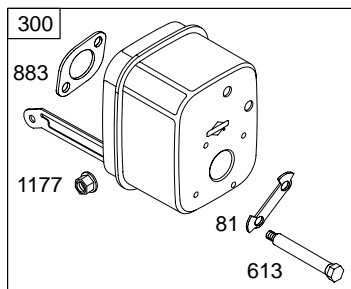
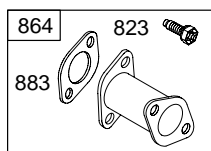
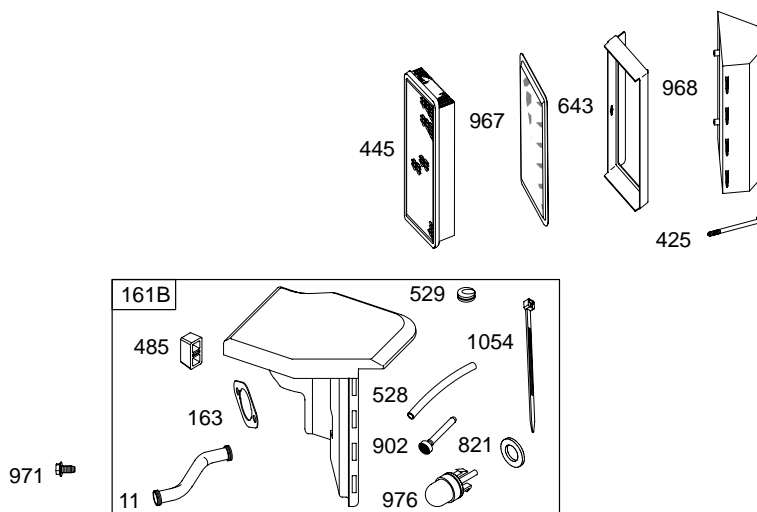


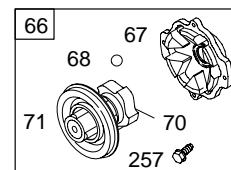
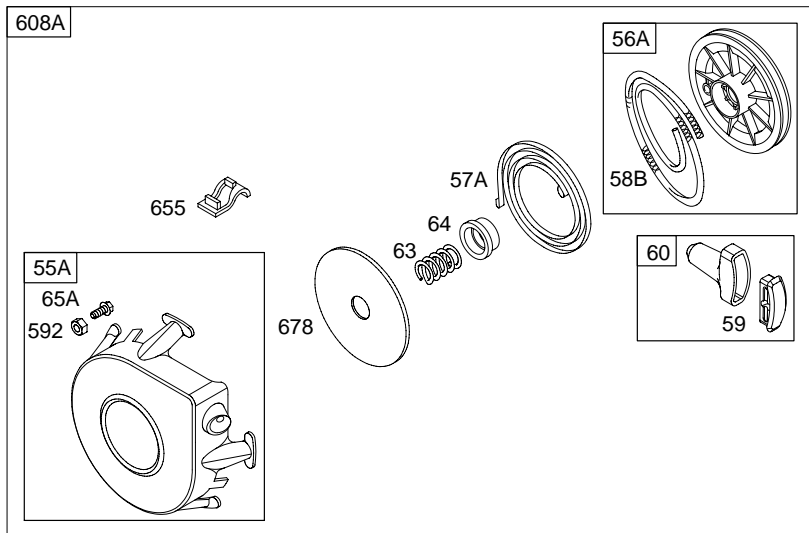
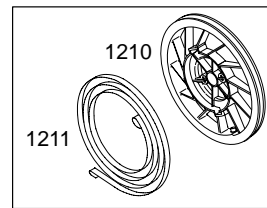
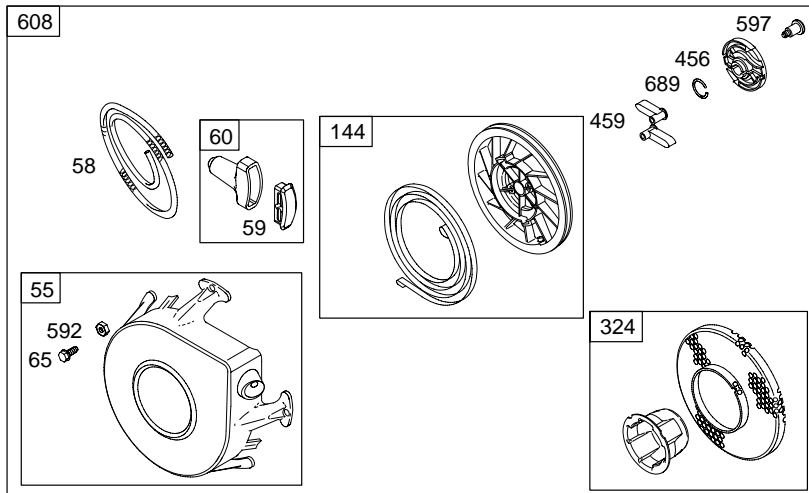
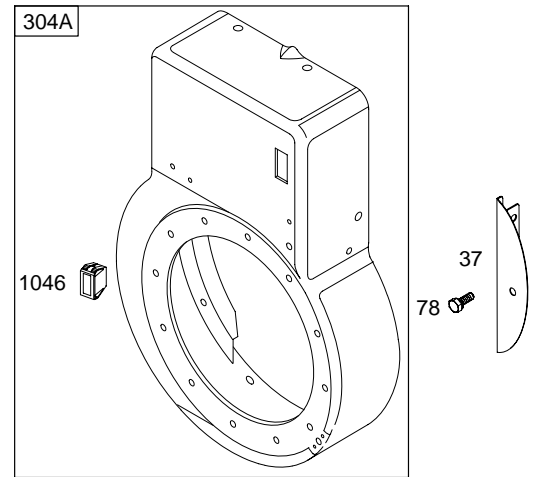
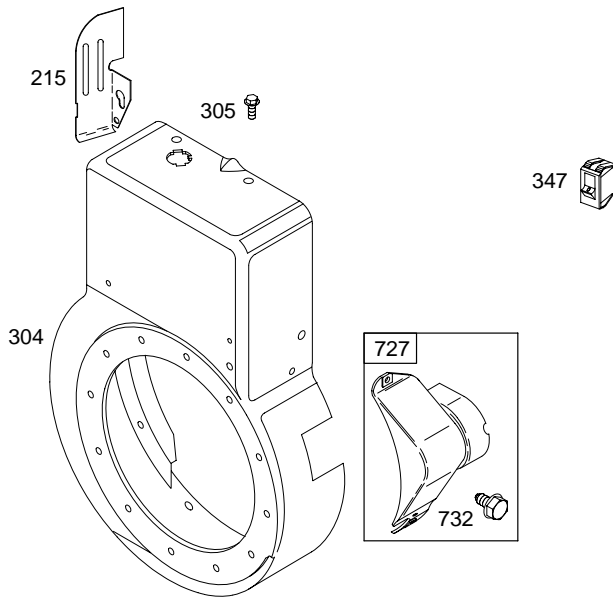


PART NUMBER
LMT/CARBURETOR
LOCATIONS

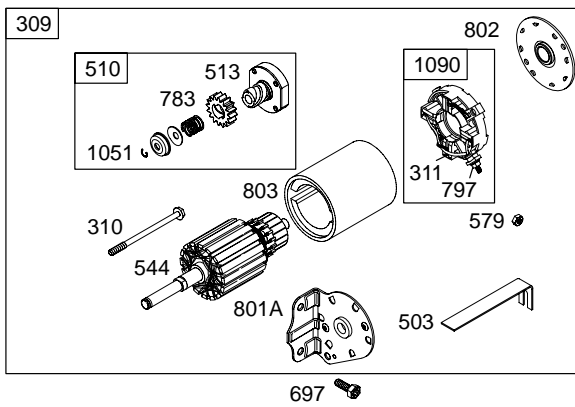
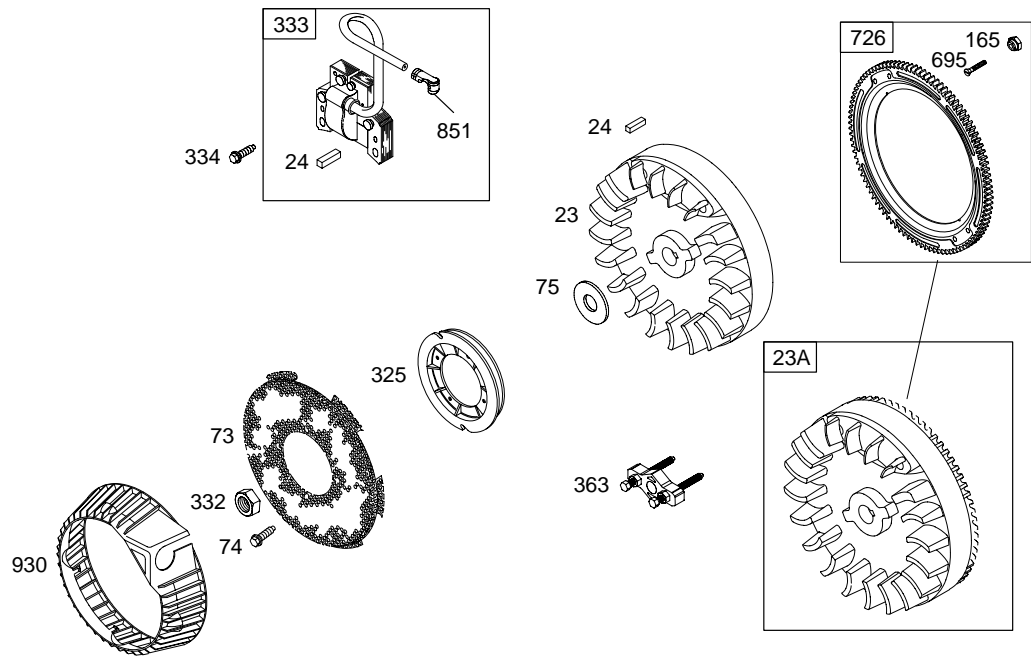


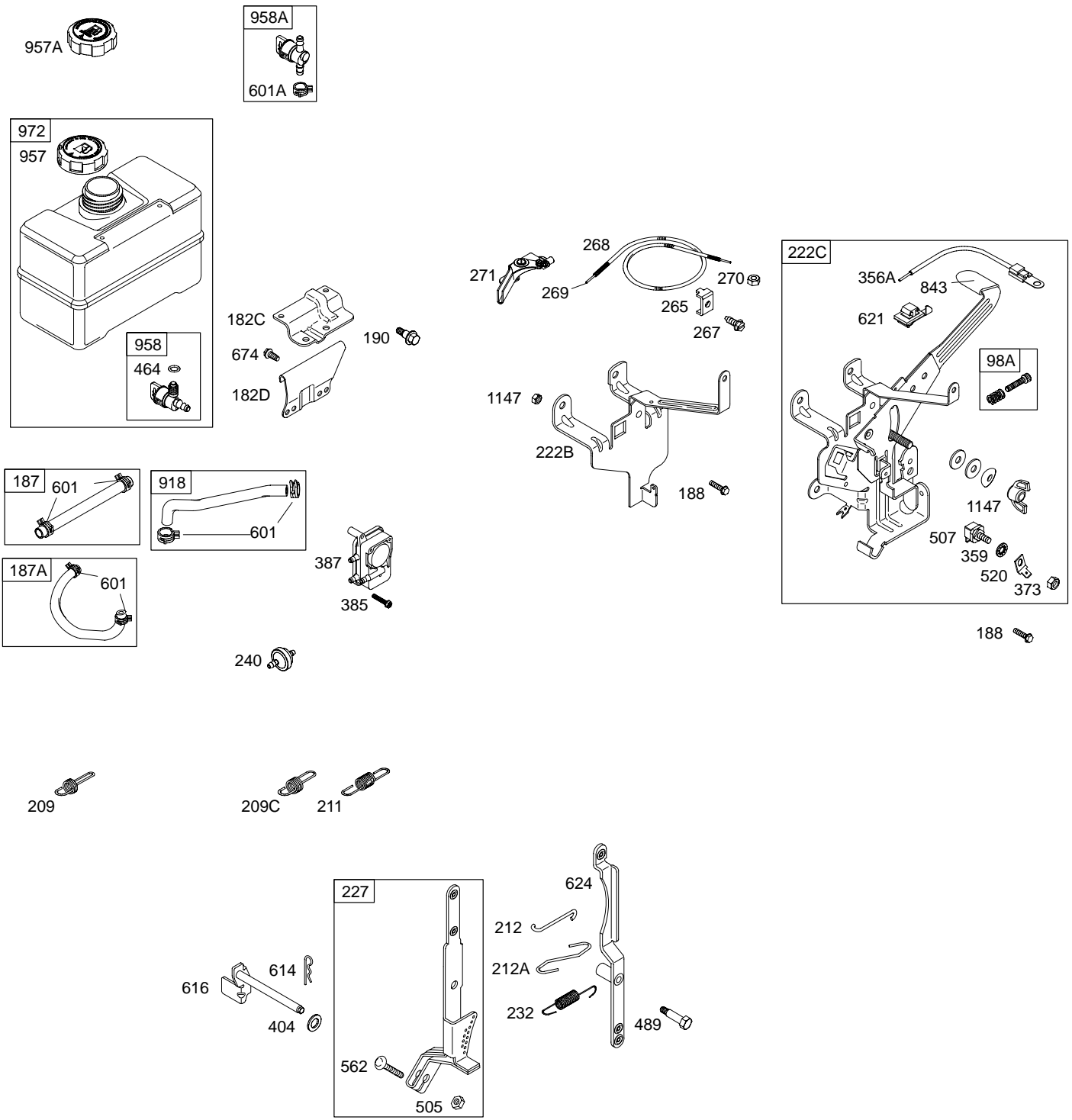
19K400



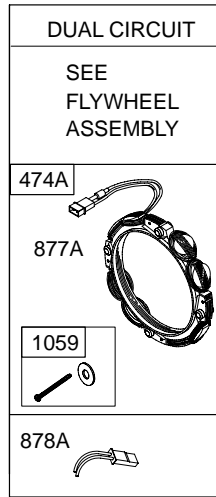


19K400

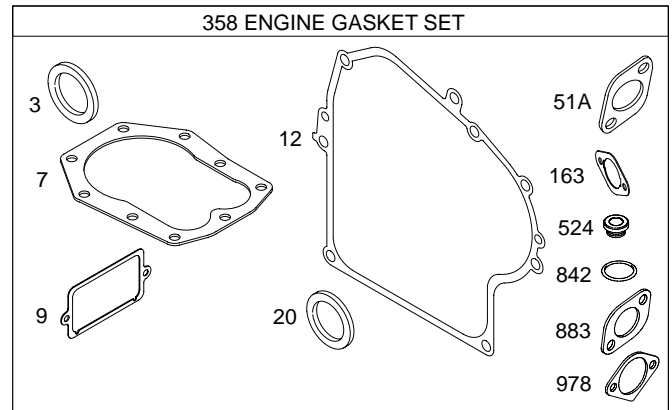
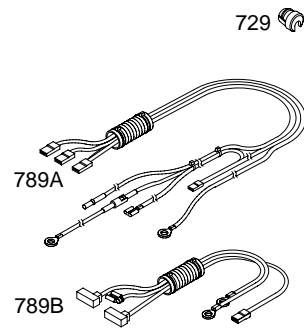




19K400



NOTE: ALL OLD STYLE STATORS USE
REFERENCE NUMBER 1119 MOUNTING SCREW



REF. NO.	PART NO.	DESCRIPTION	REF. NO.	PART NO.	DESCRIPTION	REF. NO.	PART NO.	DESCRIPTION
1	495656	Cylinder Assembly	20	★391086	Seal–Oil (PTO Side)	40	690656	Retainer–Valve (Intake)
2	495657	Kit–Bushing/Seal (Magneto Side)	21	281658	Cap–Oil Fill	40A	691939	Retainer–Valve (Exhaust)
3	★391086	Seal–Oil (Magneto Side)	22	691625	Screw (Crankcase Cover/Sump)	42	494553	Keeper–Valve (Exhaust)
5	693600	Head–Cylinder	23	690615	Flywheel (Rewind Start)	45	691793	Tappet–Valve
7	∅★272163	Gasket–Cylinder Head	23A	691354	Flywheel (Electric Start)	46	691167	Camshaft
8	498038	Breather Assembly	24	222698	Key–Flywheel	50	691157	Manifold–Intake
9	∅★27803	Gasket–Breather	25	499960	Piston Assembly (Standard)	51	●★691886	Gasket–Intake (Manifold to Carburetor)
10	691666	Screw (Breather Assembly)			Note _____	51A	∅★691885	Gasket–Intake (Manifold to Engine)
11	691907	Tube–Breather			499961 Piston Assembly (.010" Oversize)	53	691672	Stud (Carburetor)
12	★692221	Gasket–Crankcase (.015" Thick) (Standard)			499962 Piston Assembly (.020" Oversize)	54	93208	Screw (Intake Manifold)
		Note _____			499963 Piston Assembly (.030" Oversize)	55	693904	Housing–Rewind Starter (Used After Code Date 98111500).
		★27876 Gasket– Crankcase (.005" Thick)	26	690014	Ring Set (Standard)	55A	393576	Housing–Rewind Starter (Used Before Code Date 98111600).
		★27877 Gasket– Crankcase (.009" Thick)			Note _____	56A	295871	Pulley–Starter (Used Before Code Date 98111600).
13	691651	Screw (Cylinder Head) (2 9/16" Long)			690015 Ring Set (.010" Oversize)	57A	490179	Spring–Rewind Starter (Used Before Code Date 98111600).
13A	690904	Screw (Cylinder Head) (3" Long)			690016 Ring Set (.020" Oversize)	58	693389	Rope–Starter (70" Long) (Used After Code Date 98111500).
14	691690	Stud (Cylinder Head) (Used in Position 5 and 6) Used on Type No(s). 0114, 0115.	27	690975	Lock–Piston Pin	58B	695002	Rope–Starter (99" Long) (Cut To Required Length) (Used Before Code Date 98111600).
15	690946	Plug–Oil Drain (Opposite side of Carburetor)	28	499302	Pin–Piston (Standard)	59	490653	Insert–Grip
		Note _____			Note _____	60	490652	Grip–Starter Rope
		690289 Plug–Oil Drain (Carburetor Side)	29	390401	Rod–Connecting (Standard)	63	690547	Spring–Ratchet (Used Before Code Date 98111600).
16	495790	Crankshaft			390773 Rod– Connecting (.020" Undersize)	64	691920	Adapter–Ratchet Spring (Used Before Code Date 98111600).
		Note _____	30	691728	Dipper–Connecting Rod	65	690759	Screw (Rewind Starter)
		495655 Crankshaft Used on Type No(s). 0114.	31	222114	Lock–Rod Screw	65A	690837	Screw (Rewind Starter)
17	691069	Bearing–Ball	32	690352	Screw (Connecting Rod)			
18	496980	Cover–Crankcase	33A	691794	Valve–Exhaust			
		Note _____	34	261055	Valve–Intake			
		496981 Cover– Crankcase Used on Type No(s). 0114.	35	691605	Spring–Valve (Intake)			
19	295964	Kit–Bushing/Seal (PTO Side)	36A	691597	Spring–Valve (Exhaust)			
			37	690411	Guard–Flywheel			

★ Included in Engine Gasket Set–Ref. No.358.

● Included in Carburetor Overhaul Kit–Ref. No. 121.

◆ Included in Carburetor Gasket Set–Ref. No. 977.

∅ Included in Valve Gasket Set–Ref. No 1095.

19K400

REF. NO.	PART NO.	DESCRIPTION	REF. NO.	PART NO.	DESCRIPTION	REF. NO.	PART NO.	DESCRIPTION
66	399671	Clutch–Starter	187A	497029	Line–Fuel (Molded)	307	691003	Screw (Cylinder Shield)
67	394897	Clutch–Housing	188	691693	Screw (Control Bracket)	308	691201	Cover–Cylinder Head
68	691604	Ball–Clutch	190	692199	Screw (Fuel Tank)	309	693054	Motor–Starter
70	691945	Ratchet–Clutch	209	692136	Spring–Governor (Yellow)	310	690323	Bolt (Starter Motor)
71	691359	Cover–Ratchet	209C	691309	Spring–Governor (Blue)	311	497608	Brush Set
73	691754	Screen–Rotating	211	691307	Spring–Governor (Used on Type No(s). 0114.)	324	695160	Screen/Cup Assembly
74	691692	Screw (Rotating Screen)	212	691853	Link–Throttle (Linkage Lever To Throttle Shaft)	325	691903	Pulley–Rope Starter
75	690582	Washer (Flywheel)	212A	691854	Link–Throttle (Governor Control Lever To Linkage Lever)	332	693899	Nut (Flywheel)
78	690364	Screw (Flywheel Guard)	215	691170	Guide–Air	333	398811	Armature–Magneto
81	691729	Lock–Muffler Screw	219	496786	Gear–Governor	334	691061	Screw (Magneto Armature)
93	●690602	Bushing–Throttle Shaft	220	691724	Washer (Governor Gear)	337	802592	Plug–Spark
95	●691636	Screw (Throttle Valve)	222B	693606	Bracket–Control	347	495098	Switch–Rocker
98	495800	Kit–Idle Speed	222C	691478	Bracket–Control (Used on Type No(s). 0114.)	349	691105	Nut (Cylinder Cover)
98A	493280	Kit–Idle Speed	227	692143	Lever–Governor Control (Short Lever)	356A	691408	Wire–Stop (Jumper Wire) Used on Type No(s). 0114.
104	●690525	Pin–Float Hinge	232	691848	Spring–Governor Link	358	497070	Gasket Set–Engine
105	●691782	Valve–Float Needle	240	298090	Filter–Fuel	359	691077	Washer (Ground Terminal) Used on Type No(s). 0114.
106	●691780	Seat–Inlet	257	691660	Screw (Starter Clutch)	363	19203	Puller–Flywheel
108	692344	Valve–Choke	265	691024	Clamp–Casing	373	691612	Nut (Ground Terminal)
117	693612	Jet–Main	267	690804	Screw (Casing Clamp)	383	89838	Wrench–Spark Plug
121A	497578	Kit–Carburetor Overhaul	268	691025	Casing–Control Wire	385	691673	Screw (Fuel Pump)
125	693615	Carburetor	269	691026	Wire–Control	387	692026	Pump–Fuel
127	●694524	Plug–Welch	270	691027	Nut (Control Wire Casing)	404	691691	Washer (Governor Crank)
130	690468	Valve–Throttle	271	691028	Lever–Control	425	691671	Screw (Air Cleaner Cover)
131	693602	Kit–Throttle Shaft	276	●692255	Washer–Sealing	428	691612	Nut (Oil Gard® Kit)
133	494381	Float–Carburetor	300	497141	Muffler (Super Lo Tone)	445	691643	Filter–Air Cleaner Cartridge
137	●●281165	Gasket–Float Bowl	304	497142	Housing–Blower	456	692299	Plate–Pawl Friction
141	693601	Kit–Choke Shaft	304A	497143	Housing–Blower (Used on Type No(s). 0111.)	459	281505	Pawl–Ratchet
142	●693613	Nozzle–Carburetor	305	692198	Screw (Blower Housing)	464	691898	Seal–O-Ring (Fuel Shut–Off Valve)
144	697843	Spring/Pulley Assembly	306	496797	Shield–Cylinder	474A	696459	Alternator (Dual Circuit)
146	690979	Key–Timing				485	692295	Knob–Control (Air Cleaner)
161B	693603	Base–Air Cleaner				489	691776	Screw (Linkage Lever)
163	★∅692277	Gasket–Air Cleaner				503	691532	Strap–Starter
165	693148	Nut (Ring Gear)				505	691251	Nut (Governor Control Lever)
170	691695	Stud (Crankcase Cover/Sump) (Used in Position 1)						
182C	695451	Bracket–Fuel Tank						
182D	694592	Bracket–Fuel Tank						
185	690958	Nut (Air Cleaner Base)						
186	691764	Connector–Hose						
186B	692317	Connector–Hose (Carburetor) (Used Before Code Date 01030500).						
187	296004	Line–Fuel (Cut to Required Length)						

★ Included in Engine Gasket Set–Ref. No.358.

● Included in Carburetor Overhaul Kit–Ref. No. 121.

◆ Included in Carburetor Gasket Set–Ref. No. 977.

∅ Included in Valve Gasket Set–Ref. No 1095.

REF. NO.	PART NO.	DESCRIPTION	REF. NO.	PART NO.	DESCRIPTION	REF. NO.	PART NO.	DESCRIPTION
507	691972	Insulator	718	690959	Pin-Locating	930	691904	Guard-Rewind
510	497606	Drive-Starter	726	399676	Gear-Ring	957	692662	Cap-Fuel Tank
513	692024	Clutch-Drive	727	395405	Cover-Starter Drive	957A	692665	Cap-Fuel Tank
520	691084	Terminal-Ground	729	691336	Clip-Wire			Used on Type No(s). 0114, 0115.
528	692792	Hose-Primer (Cut to Required Length)	732	691097	Screw (Starter Drive Cover)	958	698182	Valve-Fuel Shut Off
529	694087	Grommet	741	691288	Gear-Timing	958A	698181	Valve-Fuel Shut Off
544	692034	Armature-Starter	783	693059	Gear-Pinion	967	492889	Filter-Pre Cleaner
552	491986	Bushing-Governor Crank	789A	691402	Harness-Wiring Used on Type No(s). 0114.	968	691925	Cover-Air Cleaner
562	691119	Bolt (Governor Control Lever)	789B	693397	Harness-Wiring Used on Type No(s). 0110, 0111, 0115.	971	691003	Screw (Air Cleaner Base to Carburetor)
579	691029	Nut (Starter Cable)	797	693167	Nut (Brush Retainer)	972	695809	Tank-Fuel (6 Quart) Used on Type No(s). 0114, 0115.
592	690800	Nut (Rewind Starter)	801A	691283	Cap-Drive	975	495933	Bowl-Float
597	691696	Screw (Pawl Friction Plate)	802	691286	Cap-End	976	692666	Primer-Carburetor
601	95162	Clamp-Hose	803	693757	Housing-Starter	977	497069	Gasket Set-Carburetor
601A	691038	Clamp-Hose (Black)	819	690661	Screw (Muffler Bracket)	978	*273326	Gasket-Oil Gard®
608	693900	Starter-Rewind (70" Rope) (Used After Code Date 99022800).	821	692661	Washer (Carburetor Primer)	980	496605	Kit-Oil Gard®
608A	390391	Starter-Rewind (Used Before Code Date 99030100).	823	695974	Screw (Muffler Adapter)	982A	690350	Screw (Oil Gard® Kit)
613	691351	Screw (Muffler)	832	691447	Guard-Muffler	987	●691326	Seal-Throttle Shaft
614	691620	Pin-Cotter	836	690661	Screw (Muffler Guard)	1019	693974	Kit-Label
616	691405	Crank-Governor	836A	692198	Screw (Muffler Guard)	1046	691337	Plug-Blower Housing
621	692310	Switch-Stop Used on Type No(s). 0114.	843	691322	Sleeve-Lever	1051	691265	Ring-Retaining Used on Type No(s). 0111.
624	691415	Lever-Linkage	851	493880	Terminal-Sparkplug	1054	280275	Tie-Cable
634	●690802	Spring/Seal Assembly	863	691228	Bracket-Muffler	1059	698516	Kit-Screw/Washer
635	66538	Boot-Spark Plug	864	497140	Adapter-Muffler	1090	691293	Retainer-Brush
643	691926	Retainer-Air Cleaner	868	692036	Seal-Valve	1095	498534	Gasket Set-Valve
655	691734	Anchor-Rewind Spring	869	691703	Seat-Valve (Intake)	1119	691183	Screw (Alternator)
674	690708	Screw (Fuel Tank Bracket)	870	691844	Seat-Valve (Exhaust)	1147	690355	Nut (Control Bracket)
676A	395700	Deflector-Muffler (Direct Out) Used on Type No(s). 0114.	871	261961	Bushing-Valve Guide (Copper)	1158	695659	Screw (Carburetor Plug)
677	690661	Screw (Muffler Deflector)			Note	1177	691105	Nut (Muffler)
678	490817	Spacer-Rewind			231218	691105	231218	Bushing- Valve Guide (Copper)
689	691855	Spring-Friction	877A	393456	Wire/Connector- Alternator (Dual Circuit)	1210	498144	Pulley/Spring Assembly (Pulley) (Used After Code Date 00082000 and Before Code Date 01051100).
695	693109	Screw (Ring Gear)	878A	691237	Harness-Alternator Used on Type No(s). 0111.	1211	498144	Pulley/Spring Assembly (Spring) (Used After Code Date 00082000 and Before Code Date 01051100).
697	690372	Screw (Drive Cap)	883	∅*697815	Gasket-Exhaust	1302	691113	Washer (Muffler Guard)
			898	691077	Washer (Oil Gard® Kit)			
			902	692741	Filter-Primer			
			918	497457	Hose-Vacuum (Molded)			

* Included in Engine Gasket Set-Ref. No.358.

● Included in Carburetor Overhaul Kit-Ref. No. 121.

◆ Included in Carburetor Gasket Set-Ref. No. 977.

∅ Included in Valve Gasket Set-Ref. No 1095.