



10F900

Illustrated Parts List

Model Series

10F900

TYPE NUMBERS
0110, 0111, 0112,
0113, 0114.

TABLE OF CONTENTS

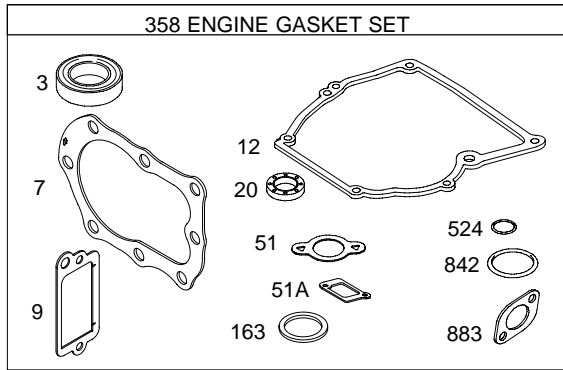
Air Cleaner	6
Blower Housing	7
Brakes	6
Cam	3
Carburetor	4
Controls	5
Crankcase Cover/Sump	3
Crankshaft	3
Cylinder	2
Flywheel	7
Fuel Tank	4
Governor Spring	5
Head	2
Ignition	5
Kits/Gaskets-Engine	2
Kits/Gaskets-Valve	2
Muffler	6
Oil Group	2
Piston Group	3
Rewind	7
Valves	3



PRINTED IN U.S.A.

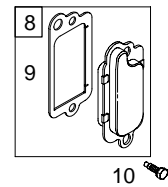
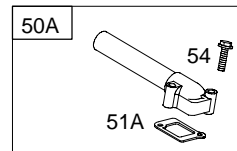
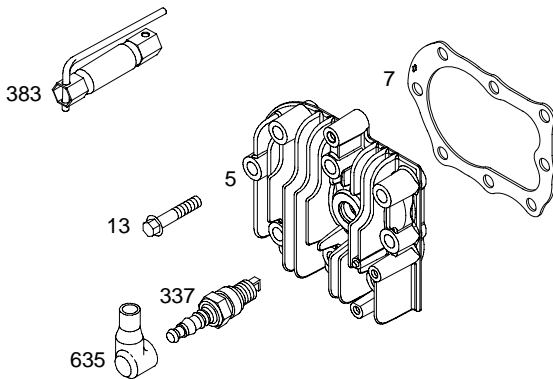
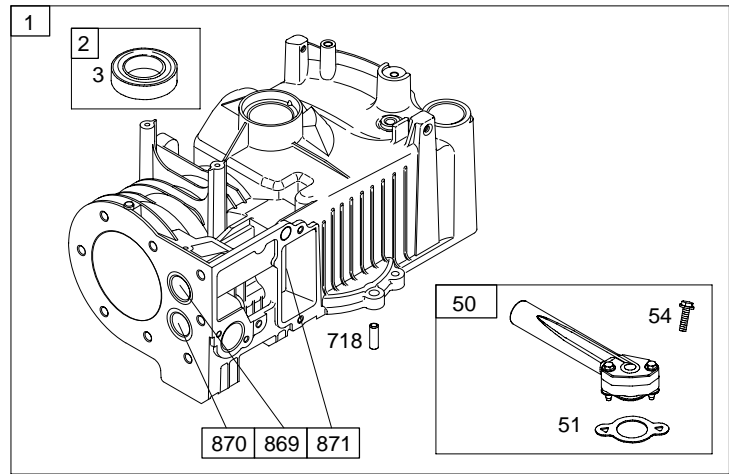
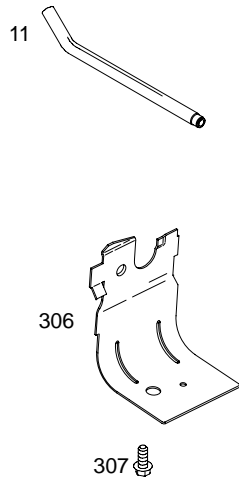
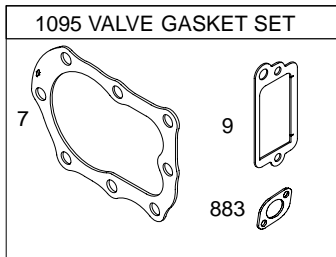
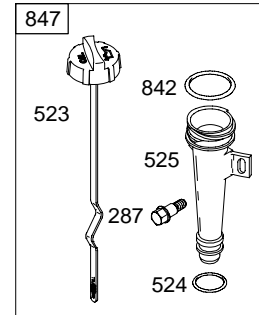
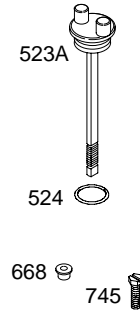
COPYRIGHT by BRIGGS & STRATTON CORPORATION
All rights reserved. No part of this material may be reproduced or transmitted,
in any form or by any means, electronic or mechanical, including photocopying,
recording or by any information storage and retrieval system, without permission
in writing from Briggs & Stratton Corporation.

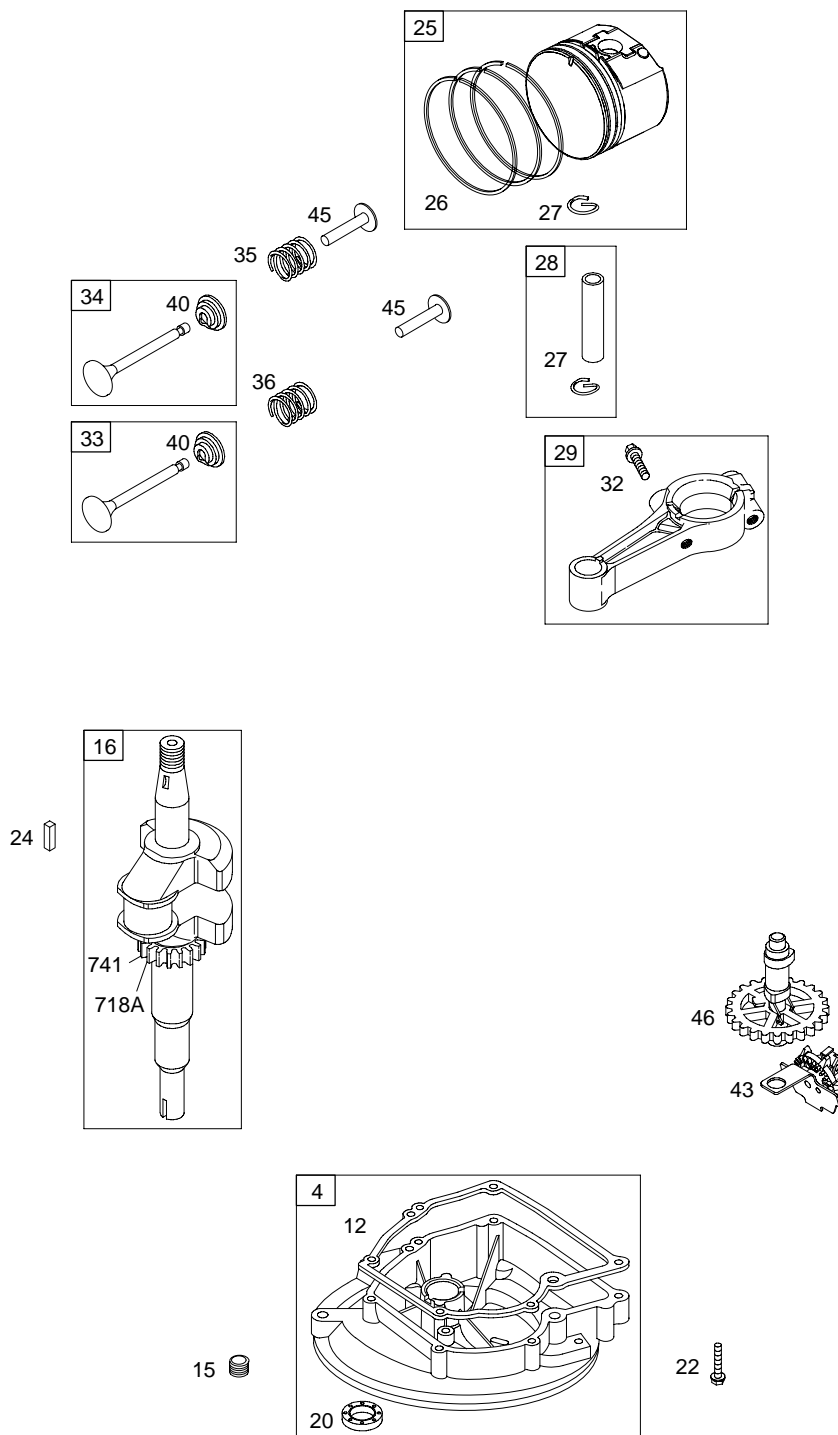
10F900



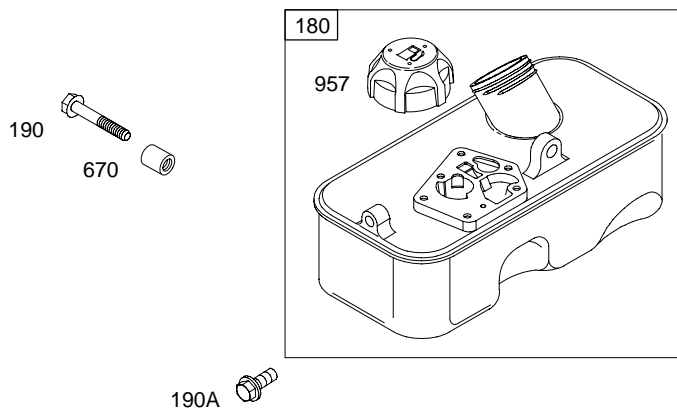
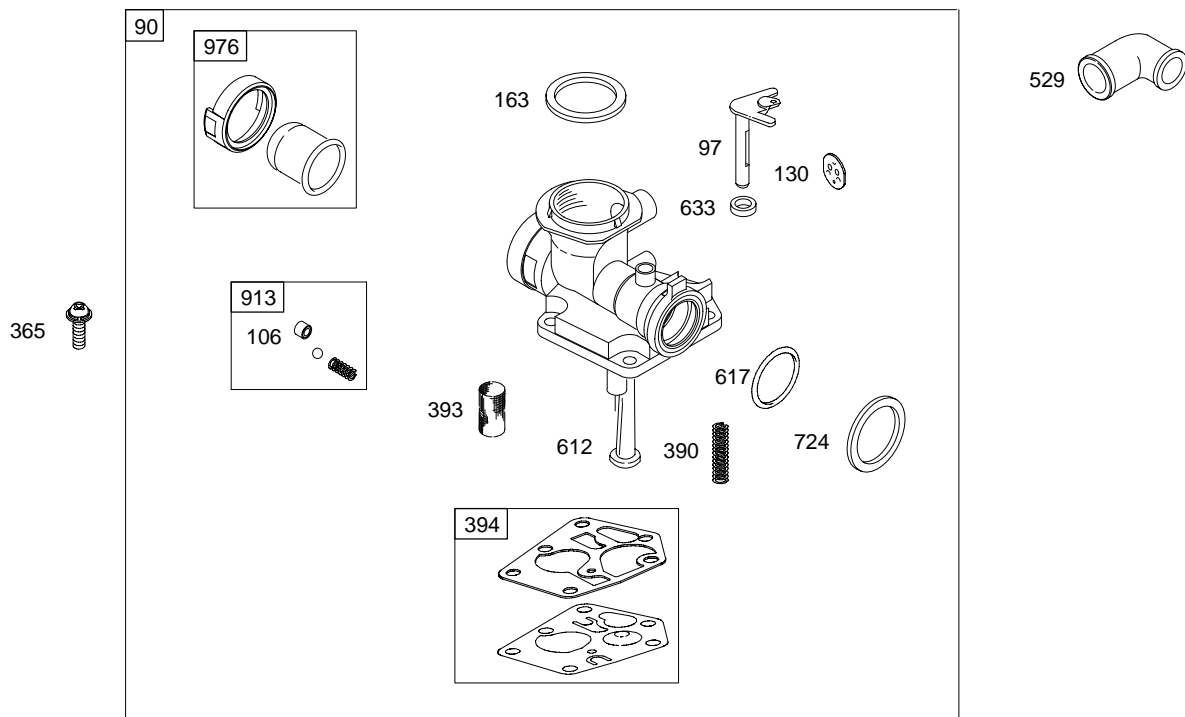
1330 REPAIR MANUAL

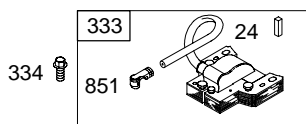
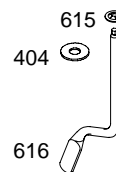
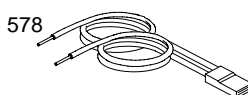
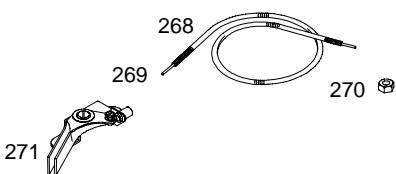
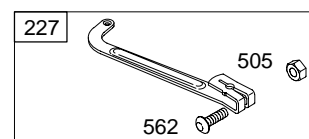
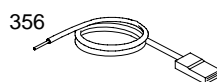
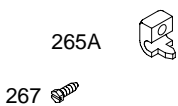
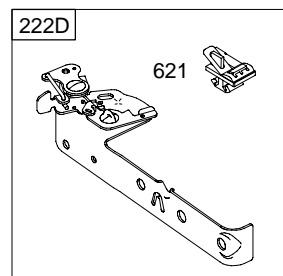
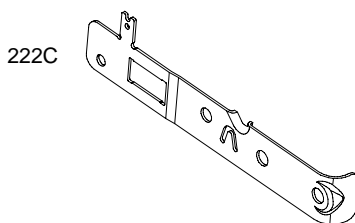
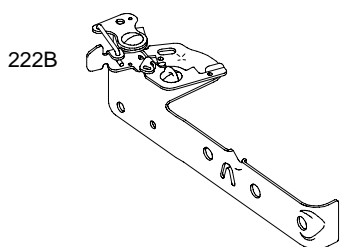
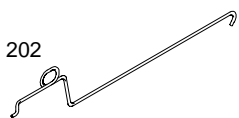
1058 OWNER'S MANUAL



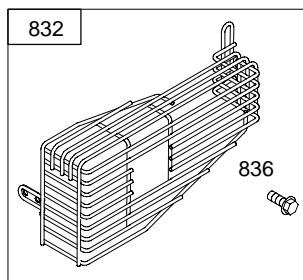
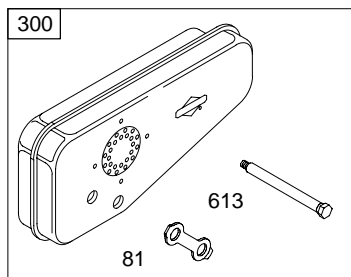


10F900

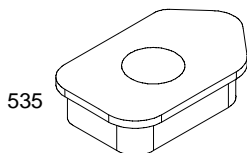
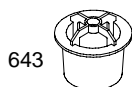
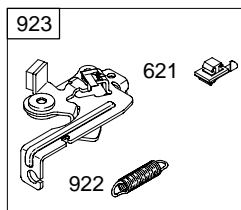
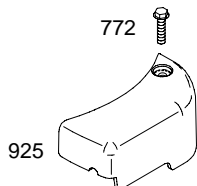




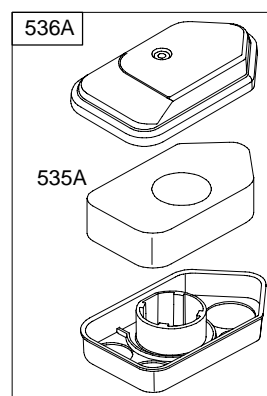
10F900



836A



534

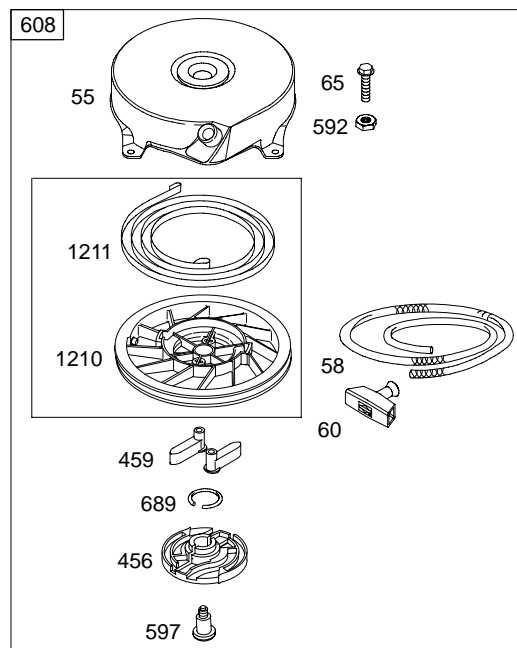
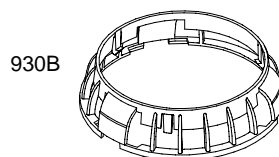
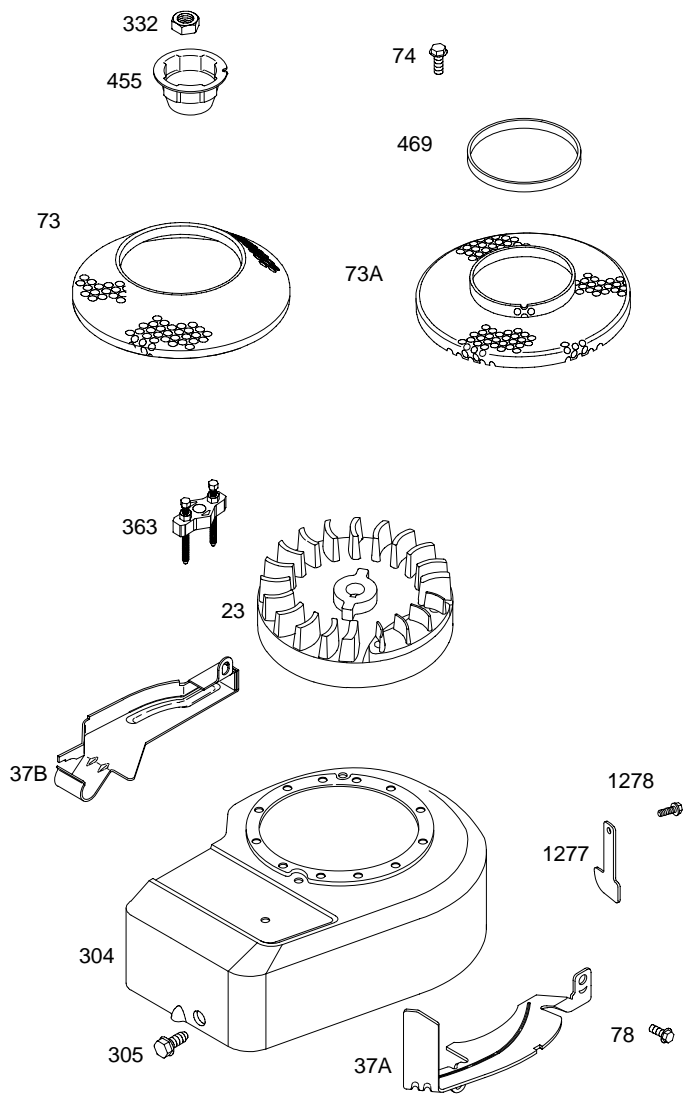


163



1019 LABEL KIT

1036 EMISSIONS LABEL



10F900

REF. NO.	PART NO.	DESCRIPTION	REF. NO.	PART NO.	DESCRIPTION	REF. NO.	PART NO.	DESCRIPTION
1	699650	Cylinder Assembly (Used After Code Date 03080300). ----- Note ----- 697401 Cylinder Assembly (Used Before Code Date 03080400).	25	790908	Piston Assembly (Standard) (Used After Code Date 04111400). ----- Note ----- 699657 Piston Assembly (Standard) (Used After Code Date 03080300 and Before Code Date 04111500).	29	699654	Rod-Connecting (Used After Code Date 03093000). ----- Note ----- 496792 Rod-Connecting (Used Before Code Date 03100100).
2	399269	Kit-Bushing/Seal (Magneto Side)			498668 Piston Assembly (Standard) (Used Before Code Date 04111500).	32	691664	Screw (Connecting Rod)
3	*299819	Seal-Oil (Magneto Side)			498670 Piston Assembly (.020" Oversize) (Used Before Code Date 04111500).	33	296676	Valve-Exhaust
4	698691	Sump-Engine			498680 Ring Set (Standard) (Used Before Code Date 03080400).	34	296677	Valve-Intake
5	790169	Head-Cylinder				35	690520	Spring-Valve (Intake)
7	*Δ698717	Gasket-Cylinder Head				36	690520	Spring-Valve (Exhaust)
8	699640	Breather Assembly				37A	691209	Guard-Flywheel (Muffler Side)
9	*Δ695890	Gasket-Breather				37B	697403	Guard-Flywheel (Carburetor Side)
10	691666	Screw (Breather Assembly)				40	692194	Retainer-Valve
11	691245	Tube-Breather				43	697799	Slinger-Governor/Oil
12	*692218	Gasket-Crankcase (.015" Thick) (Standard) ----- Note ----- 270895 Gasket-Crankcase (.005" Thick) 270896 Gasket-Crankcase (.009" Thick)	26	790909	Ring Set (Standard) (Used After Code Date 04111400). ----- Note ----- 699658 Ring Set (Standard) (Used After Code Date 03080300 and Before Code Date 04111500).	45	691762	Tappet-Valve
13	691640	Screw (Cylinder Head)			498682 Ring Set (.020" Oversize) (Used Before Code Date 04111500).	46	691998	Camshaft
15	691680	Plug-Oil Drain				50	699644	Manifold-Intake (Used After Code Date 03080300).
16	691471	Crankshaft Used on Type No(s). 0110, 0111, 0114. ----- Note ----- 691472 Crankshaft Used on Type No(s). 0112, 0113.			498680 Ring Set (Standard) (Used Before Code Date 03080400).	50A	693446	Manifold-Intake (Used Before Code Date 03080400).
20	*391483	Seal-Oil (PTO Side)				51	*699649	Gasket-Intake (Used After Code Date 03080300).
22	691662	Screw (Crankcase Cover/Sump)	27	691588	Lock-Piston Pin	51A	270345	Gasket-Intake (Used Before Code Date 03080400).
23	692009	Flywheel	28	699659	Pin-Piston (Standard) (Used After Code Date 03093000). ----- Note ----- 298909 Pin-Piston (Standard) (Used Before Code Date 03100100).	54	691111	Screw (Intake Manifold)
24	222698	Key-Flywheel				55	692144	Housing-Rewind Starter
						58	697316	Rope-Starter (88 5/8" Long)
						60	691915	Grip-Starter Rope
						65	690837	Screw (Rewind Starter)
						73	699850	Screen-Rotating (Used After Code Date 03082400).
						73A	694018	Screen-Rotating (Used Before Code Date 03082500).

* Engine Gasket Set-Reference 358
● Carburetor Overhaul Kit-Reference 121

◆ Carburetor Gasket Set-Reference 977
Δ Valve Gasket Set-Reference 1095

10F900

REF. NO.	PART NO.	DESCRIPTION	REF. NO.	PART NO.	DESCRIPTION	REF. NO.	PART NO.	DESCRIPTION
74	691627	Screw (Rotating Screen)	227	697402	Lever-Governor Control	332	690662	Nut (Flywheel)
78	692198	Screw (Flywheel Guard)	265A	690798	Clamp-Casing Used on Type No(s). 0113, 0114.	333	496914	Armature-Magneto
81	691179	Lock-Muffler Screw				334	691061	Screw (Magneto Armature)
90	697415	Carburetor	267	691044	Screw (Casing Clamp)	337	697451	Plug-Spark
97	697414	Shaft-Throttle				356	692390	Wire-Stop Used on Type No(s). 0111, 0112, 0113, 0114.
106	691901	Seat-Inlet				358	699933	Gasket Set-Engine
130	691190	Valve-Throttle	268	691072	Casing-Control Wire (48" Long) (Cut To Required Length)	363	19069	Puller-Flywheel
163	★271139	Gasket-Air Cleaner				365	790029	Screw (Carburetor)
180	494406	Tank-Fuel				383	89838	Wrench-Spark Plug
188	692198	Screw (Control Bracket)				390	691839	Spring-Choke Diaphragm
190	691640	Screw (Fuel Tank) (1 3/4" Long)				393	691837	Screen-Carburetor
190A	692198	Screw (Fuel Tank) (1/2" Long)				394	495770	Diaphragm-Carburetor
202	698835	Link-Mechanical Governor	269	691589	Wire-Control (54" Long) (Cut To Required Length)	404	690272	Washer (Governor Crank)
209	698726	Spring-Governor (Pink) (Used After Code Date 02091500). Used on Type No(s). 0110, 0111, 0113, 0114. ----- Note ----- 790001 Spring-Governor (Yellow) (Used After Code Date 03053100). Used on Type No(s). 0112. 697801 Spring-Governor (Brown) (Used After Code Date 02020700 and Before Code Date 02091600). Used on Type No(s). 0110.				455	691236	Cup-Flywheel
						456	692299	Plate-Pawl Friction
						459	281505	Pawl-Ratchet
						469	694420	Ring-Rotating Trim (Used Before Code Date 03080800). Used on Type No(s). 0110, 0111, 0112.
			270	691027	Nut (Control Wire Casing)	505	691251	Nut (Governor Control Lever)
			271	691028	Lever-Control	523	692040	Dipstick
			287	691002	Screw (Dipstick Tube)	523A	691913	Dipstick Used on Type No(s). 0112.
			300	692307	Muffler (Super Lo Tone)	524	★691876	Seal-Dipstick Tube
			304	698046	Housing-Blower Used on Type No(s). 0110, 0111, 0112, 0114. ----- Note ----- 697411 Housing-Blower Used on Type No(s). 0113.	525	691320	Tube-Dipstick
						529	692189	Grommet
						534	691417	Screw (Air Cleaner)
			305	692198	Screw (Blower Housing)	535	272235	Filter-Air Cleaner Foam (Used Before Code Date 02110600).
222B	697410	Bracket-Control Used on Type No(s). 0113, 0114.	306	690400	Shield-Cylinder (Used Before Code Date 04071400).	535A	698369	Filter-Air Cleaner Foam (Used After Code Date 02110500).
222C	698725	Bracket-Control Used on Type No(s). 0111, 0112.	307	690345	Screw (Cylinder Shield) (Used Before Code Date 04071400).	536A	698472	Cleaner-Air
222D	699577	Bracket-Control Used on Type No(s). 0110.				562	92613	Bolt (Governor Control Lever)

★ Engine Gasket Set-Reference 358
● Carburetor Overhaul Kit-Reference 121

◆ Carburetor Gasket Set-Reference 977
△ Valve Gasket Set-Reference 1095

10F900

REF. NO.	PART NO.	DESCRIPTION	REF. NO.	PART NO.	DESCRIPTION	REF. NO.	PART NO.	DESCRIPTION
578	398153	Wire Assembly Used on Type No(s). 0110.	745	691146	Screw (Brake) (7/8" Long)	871	699643	Bushing-Valve Guide (Exhaust Valve) (Used After Code Date 03080300).
592	690800	Nut (Rewind Starter)	745A	690859	Screw (Brake) (1/2" Long)			----- Note ----- 231348 Bushing-Valve Guide (Exhaust Valve) (Used Before Code Date 03080400).
597	691696	Screw (Pawl Friction Plate)	772	691111	Screw (Linkage Cover)			63709 Bushing-Valve Guide (Intake Valve)
608	499706	Starter-Rewind	832	790743	Guard-Muffler (Super Lo Tone) Used on Type No(s). 0110, 0111, 0112, 0114.			
612	496046	Tube-Pick Up	836	790745	Screw (Muffler Guard) (1/2" Long)	883	★△691880	Gasket-Exhaust
613	691413	Screw (Muffler)	836A	691125	Screw (Muffler Guard) (2/3" Long)	913	494409	Seat-Check Valve
615	690340	Retainer-Governor Shaft	842	★691870	Seal-O Ring (Dipstick Tube)	922	692135	Spring-Brake
616	697405	Crank-Governor	847	691440	Dipstick/Tube Assembly	923	691487	Brake
617	270344	Seal-O Ring (Intake Manifold)	851	493880	Terminal-Spark Plug	925	691349	Cover-Linkage
621	692310	Switch-Stop	869	699641	Seat-Valve (Intake) (Used After Code Date 03080300).	930B	691348	Guard-Rewind
633	691321	Seal-Choke/Throttle Shaft (Throttle)			----- Note -----	957	497929	Cap-Fuel Tank
635	66538	Boot-Spark Plug			691701 Seat-Valve (Intake) (Used Before Code Date 03080400).	976	694394	Primer-Carburetor
643	691911	Retainer-Air Filter (Used Before Code Date 02110300). Used on Type No(s). 0110.	870	699642	Seat-Valve (Exhaust) (Used After Code Date 03080300).	1019	697428	Kit-Label
668	692889	Spacer			----- Note -----	1036	790715	Label-Emissions (Used After Code Date 04063000).
670	691633	Spacer-Fuel Tank			691702 Seat-Valve (Exhaust) (Used Before Code Date 03080400).			----- Note ----- 695108 Label- Emissions (Used Before Code Date 04070100).
689	691855	Spring-Friction				1058	275508	Operator's Manual
718	690959	Pin-Locating (Cylinder)				1095	498526	Gasket Set-Valve
718A	499047	Pin-Locating (Crankshaft)				1210	499901	Pulley/Spring Assembly (Pulley)
724	697478	Retainer-Seal				1211	499901	Pulley/Spring Assembly (Spring)
729	690586	Clip-Wire				1277	698718	Guard-Governor Nut
741	691805	Gear-Timing				1278	691002	Screw (Governor Guard Nut)
						1330	270962	Repair Manual

★ Engine Gasket Set-Reference 358
● Carburetor Overhaul Kit-Reference 121

◆ Carburetor Gasket Set-Reference 977
△ Valve Gasket Set-Reference 1095