



# 10E900

## Illustrated Parts List Model Series 10E900

TYPE NUMBERS  
0015, 0018, 0100, 0111,  
0112, 0113, 0116, 0117,  
0207, 0459, 0462.

### TABLE OF CONTENTS

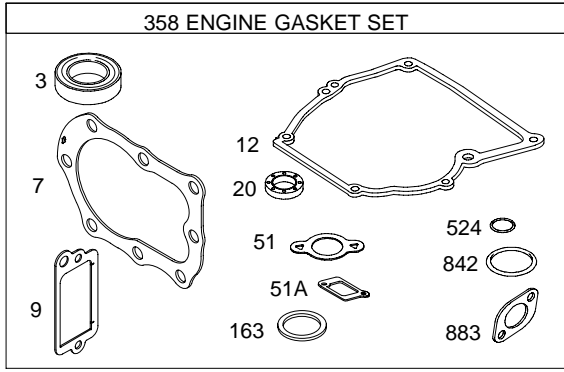
- Air Cleaner ..... 5
- Blower Housing/Shrouds ..... 7
- Brake ..... 6
- Cam ..... 3
- Carburetor ..... 4
- Controls ..... 5
- Crankcase Cover/Sump ..... 3
- Crankshaft ..... 3
- Cylinder ..... 2
- Flywheel ..... 7
- Fuel Tank ..... 4
- Governor Spring ..... 5
- Head ..... 2
- Ignition ..... 5
- Kits/Gaskets-Engine ..... 2
- Kits/Gaskets-Valve ..... 2
- Muffler ..... 6
- Oil Group ..... 2
- Piston Group ..... 3
- Rewind ..... 7
- Valves ..... 3



PRINTED IN U.S.A.

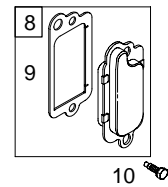
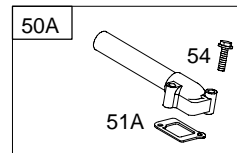
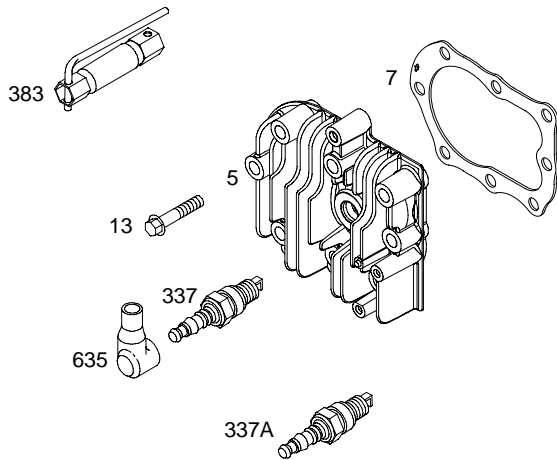
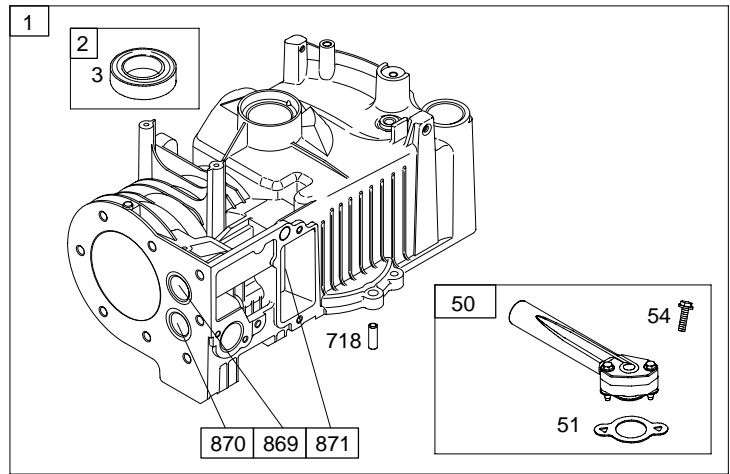
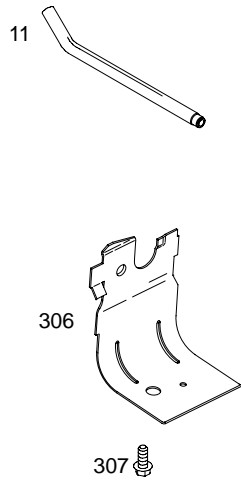
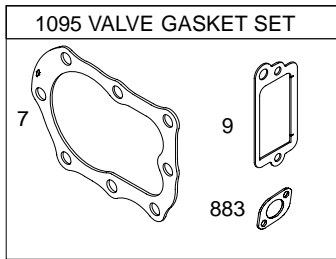
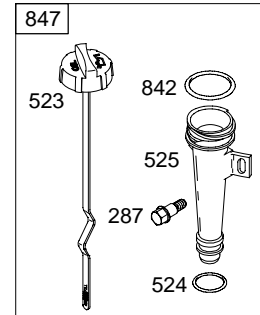
COPYRIGHT by BRIGGS & STRATTON CORPORATION  
All rights reserved. No part of this material may be reproduced or transmitted, in any form or by any means, electronic or mechanical, including photocopying, recording or by any information storage and retrieval system, without permission in writing from Briggs & Stratton Corporation.

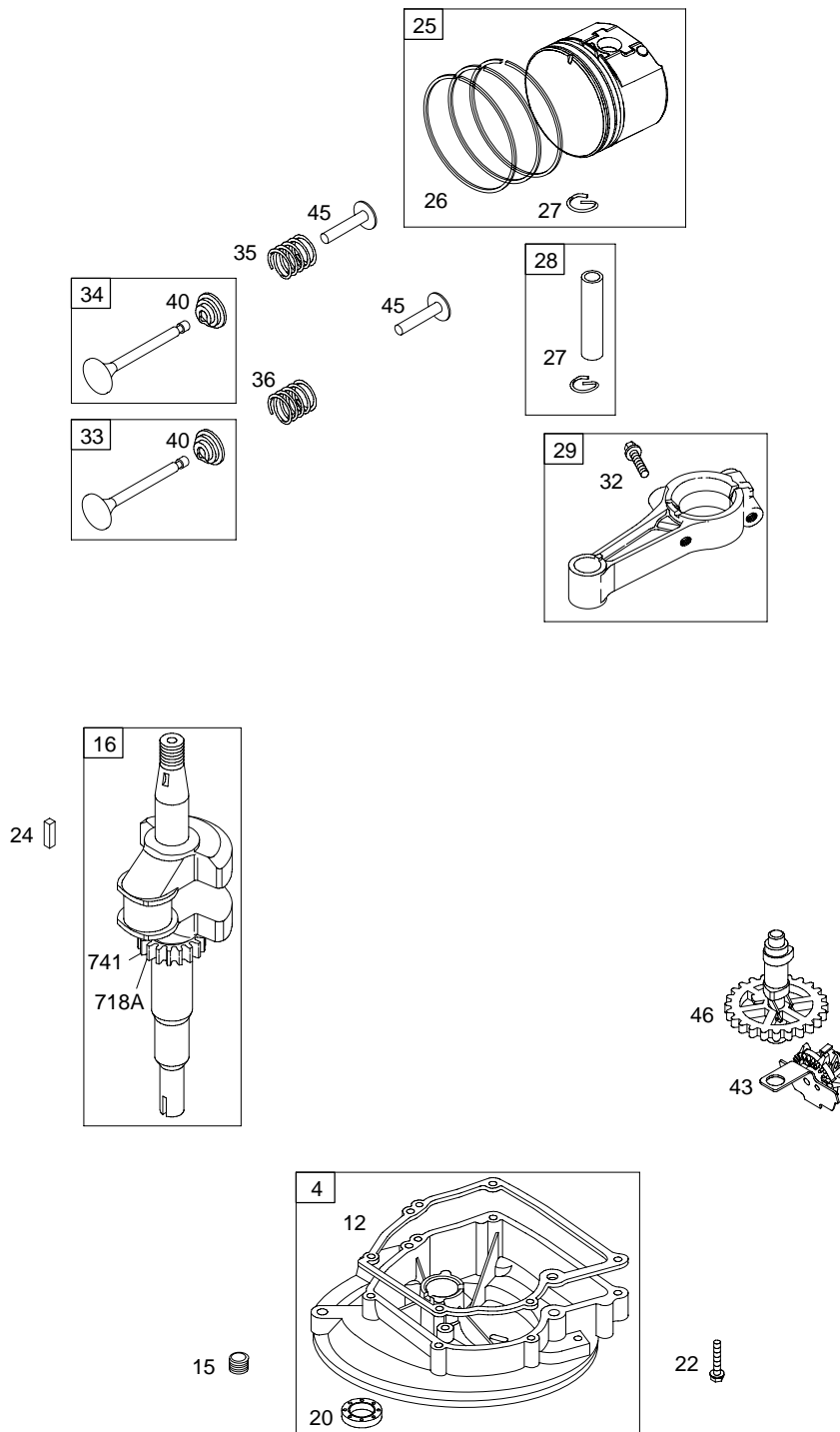
# 10E900



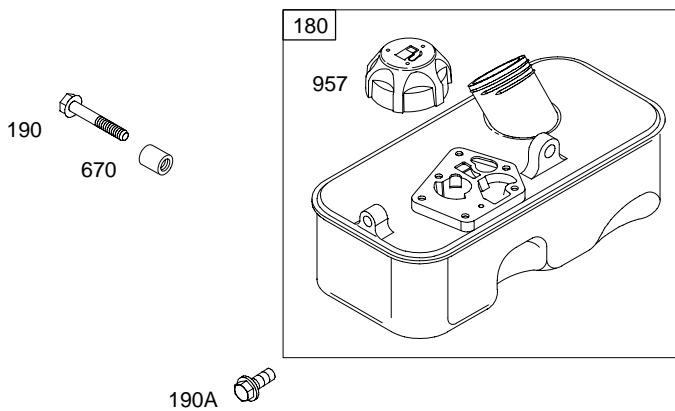
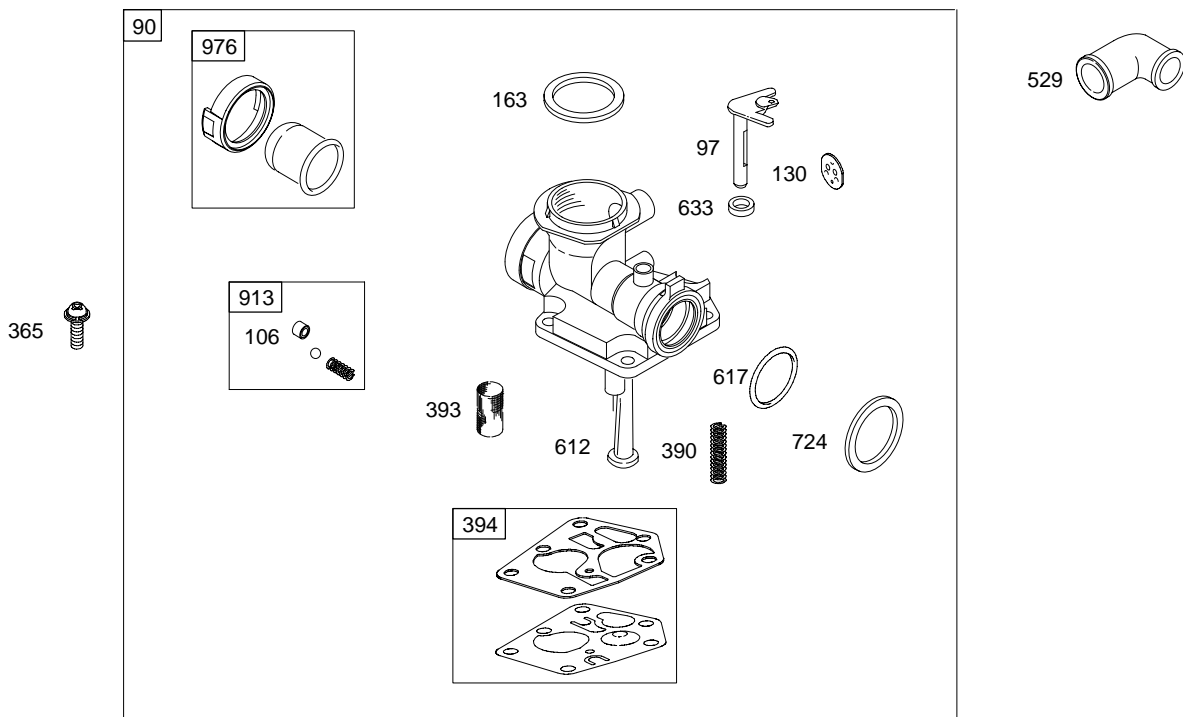
1330 REPAIR MANUAL

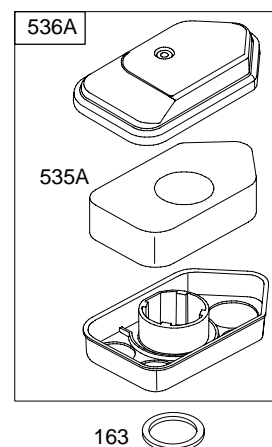
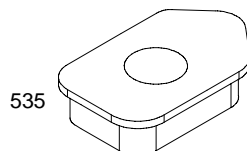
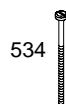
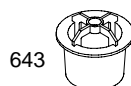
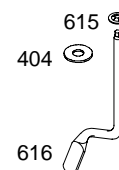
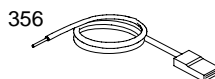
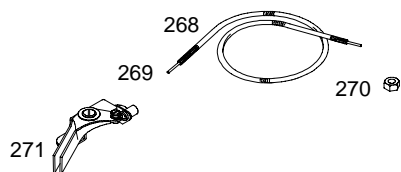
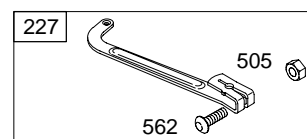
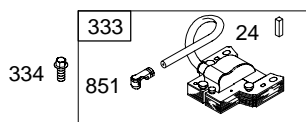
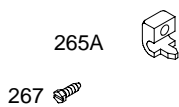
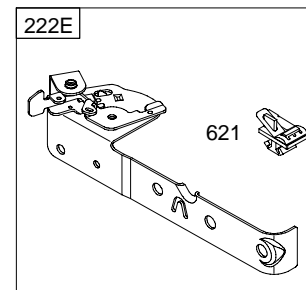
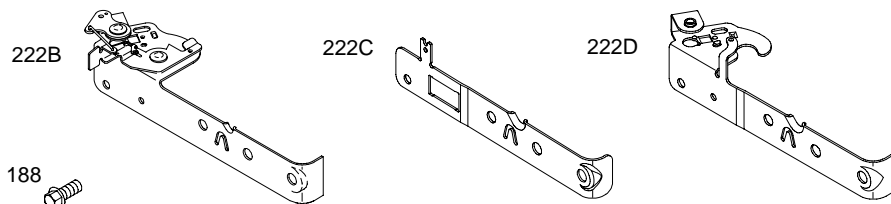
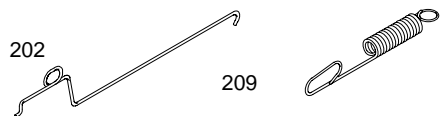
1058 OWNER'S MANUAL



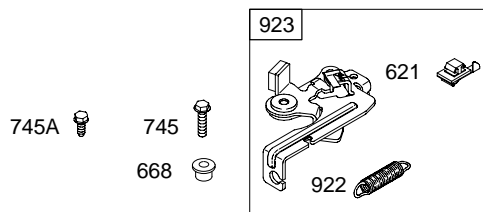
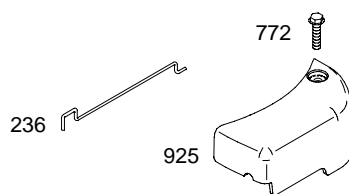
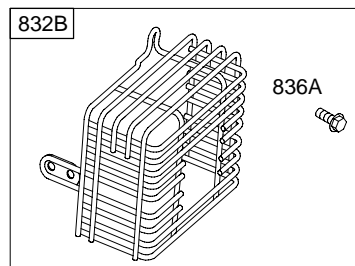
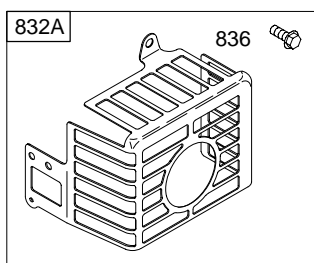
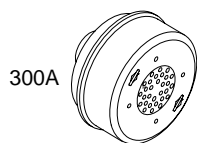
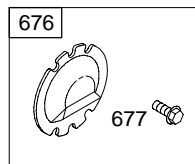
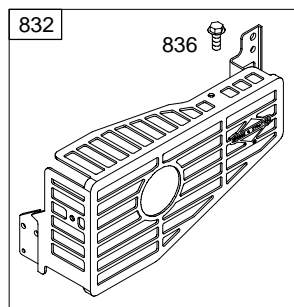
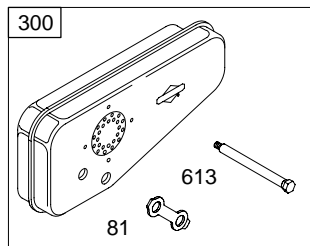


# 10E900



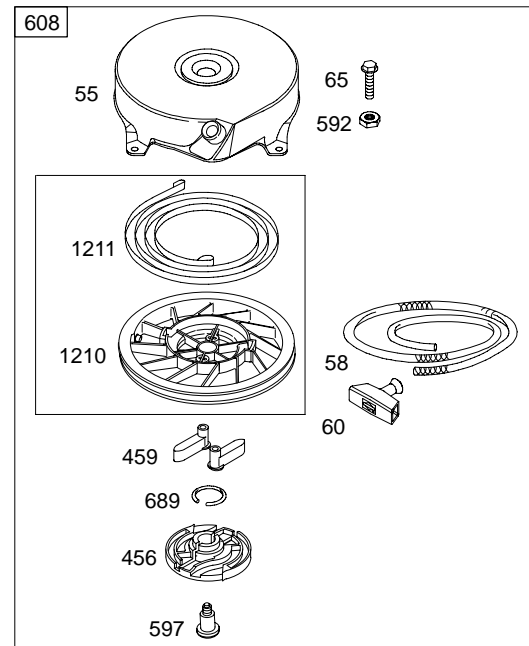
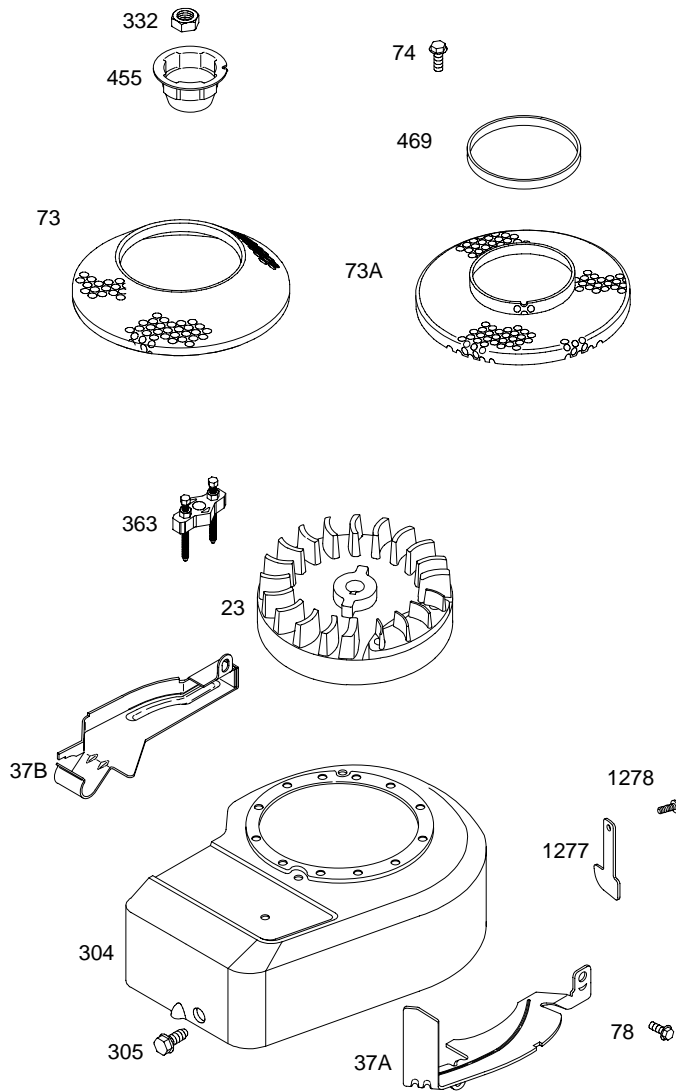
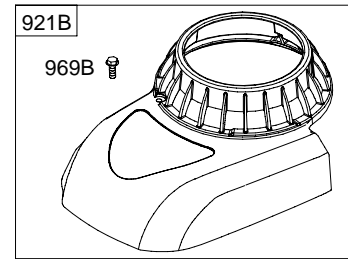
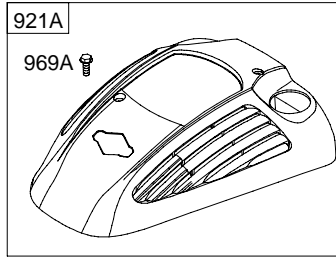
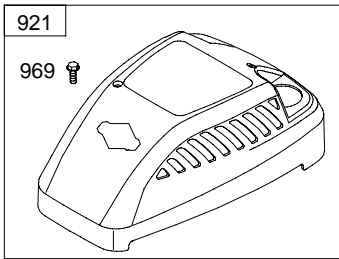


# 10E900



1019 LABEL KIT

1036 EMISSIONS LABEL



**10E900**

REF. NO.	PART NO.	DESCRIPTION	REF. NO.	PART NO.	DESCRIPTION	REF. NO.	PART NO.	DESCRIPTION
1	699650	Cylinder Assembly (Used After Code Date 03072700). ----- <b>Note</b> ----- <b>697401</b> Cylinder Assembly (Used Before Code Date 03072800).	23	692009	Flywheel	29	699654	Rod-Connecting (Used After Code Date 03080300). ----- <b>Note</b> ----- <b>496792</b> Rod-Connecting (Used Before Code Date 03080400).
2	399269	Kit-Bushing/Seal (Magneto Side)	24	222698	Key-Flywheel	32	691664	Screw (Connecting Rod)
3	*299819	Seal-Oil (Magneto Side)	25	790908	Piston Assembly (Standard) (Used After Code Date 04111400). ----- <b>Note</b> ----- <b>699657</b> Piston Assembly (Standard) (Used After Code Date 03080300 and Before Code Date 04111500).	33	296676	Valve-Exhaust
4	698691	Sump-Engine			<b>498668</b> Piston Assembly (Standard) (Used Before Code Date 03080400).	34	296677	Valve-Intake
5	790169	Head-Cylinder			<b>498670</b> Piston Assembly (.020" Oversize) (Used Before Code Date 04111500).	35	690520	Spring-Valve (Intake)
7	*Δ698717	Gasket-Cylinder Head			<b>498680</b> Ring Set (Standard) (Used Before Code Date 03080400).	36	690520	Spring-Valve (Exhaust)
8	699640	Breather Assembly				37A	691209	Guard-Flywheel (Muffler Side)
9	*Δ695890	Gasket-Breather				37B	697403	Guard-Flywheel (Carburetor Side)
10	691666	Screw (Breather Assembly)				40	692194	Retainer-Valve
11	691245	Tube-Breather				43	697799	Slinger-Governor/Oil
12	*692218	Gasket-Crankcase (.015" Thick) (Standard) ----- <b>Note</b> ----- <b>270895</b> Gasket-Crankcase (.005" Thick) <b>270896</b> Gasket-Crankcase (.009" Thick)	26	790909	Ring Set (Standard) (Used After Code Date 04111400). ----- <b>Note</b> ----- <b>699658</b> Ring Set (Standard) (Used After Code Date 03080300 and Before Code Date 04111500).	45	691762	Tappet-Valve
13	691640	Screw (Cylinder Head)			<b>498682</b> Ring Set (.020" Oversize) (Used Before Code Date 04111500).	46	691998	Camshaft
15	691680	Plug-Oil Drain			<b>498682</b> Ring Set (Standard) (Used Before Code Date 03080400).	50	699644	Manifold-Intake (Used After Code Date 03080300).
16	691471	Crankshaft Used on Type No(s). 0113. ----- <b>Note</b> ----- <b>691472</b> Crankshaft Used on Type No(s). 0015, 0100, 0111, 0112, 0116, 0117, 0207, 0459, 0462. <b>692989</b> Crankshaft Used on Type No(s). 0018.	27	691588	Lock-Piston Pin	50A	693446	Manifold-Intake (Used Before Code Date 03080400).
20	*391483	Seal-Oil (PTO Side)	28	699659	Pin-Piston (Standard) (Used After Code Date 03080300). ----- <b>Note</b> ----- <b>298909</b> Pin-Piston (Standard) (Used Before Code Date 03080400).	51	*699649	Gasket-Intake (Used After Code Date 03080300).
22	691662	Screw (Crankcase Cover/Sump)				51A	270345	Gasket-Manifold (Used Before Code Date 03080400).
						54	691111	Screw (Intake Manifold)
						55	692144	Housing-Rewind Starter
						58	697316	Rope-Starter (88 5/8" Long)
						60	691915	Grip-Starter Rope
						65	690837	Screw (Rewind Starter)
						73	699850	Screen-Rotating (Used After Code Date 03080700).
						73A	694018	Screen-Rotating (Used Before Code Date 03080800).

\* Engine Gasket Set-Reference 358  
● Carburetor Overhaul Kit-Reference 121

◆ Carburetor Gasket Set-Reference 977  
Δ Valve Gasket Set-Reference 1095



**10E900**

REF. NO.	PART NO.	DESCRIPTION	REF. NO.	PART NO.	DESCRIPTION	REF. NO.	PART NO.	DESCRIPTION
74	691627	Screw (Rotating Screen)		697440	Spring–Governor (Brown) (Used Before Code Date 02091600).	269	691589	Wire–Control (54" Long) (Cut To Required Length)
78	692198	Screw (Flywheel Guard)						----- <b>Note</b> -----
81	691179	Lock–Muffler Screw						<b>691026</b> Wire–Control (78" Long) (Cut To Required Length)
90	697415	Carburetor						
97	697414	Shaft–Throttle						
106	691901	Seat–Inlet						
130	691190	Valve–Throttle						
163	★271139	Gasket–Air Cleaner				270	691027	Nut (Control Wire Casing)
180	494406	Tank–Fuel				271	691028	Lever–Control
188	692198	Screw (Control Bracket)				287	691002	Screw (Dipstick Tube)
190	691640	Screw (Fuel Tank) (1 3/4" Long)	222B	697410	Bracket–Control Used on Type No(s). 0100, 0111, 0112, 0113, 0116, 0117.	300	692307	Muffler (Super Lo Tone)
190A	692198	Screw (Fuel Tank) (1/2" Long)	222C	698725	Bracket–Control (Used After Code Date 02091500).	300A	394569	Muffler (Round Lo Tone)
202	698835	Link–Mechanical Governor				304	697411	Housing–Blower
209	698726	Spring–Governor (Pink) Used on Type No(s). 0113, 0116, 0117, 0459, 0462. (Used After Code Date 02091500).				305	692198	Screw (Blower Housing)
		----- <b>Note</b> -----	222D	697796	Bracket–Control (Used Before Code Date 02091600). Used on Type No(s). 0207.	306	690400	Shield–Cylinder (Used Before Code Date 04071400).
		<b>697801</b> Spring–Governor (Red) (Used After Code Date 02020700 and Before Code Date 02091600). Used on Type No(s). 0113.	222E	699326	Bracket–Control Used on Type No(s). 0015, 0018.	307	690345	Screw (Cylinder Shield) (Used Before Code Date 04071400).
		<b>697440</b> Spring–Governor (Brown) Used on Type No(s). 0113. (Used Before Code Date 02020800).	227	697402	Lever–Governor Control	332	690662	Nut (Flywheel)
		<b>698719</b> Spring–Governor (Light Blue) (Used After Code Date 02091500). Used on Type No(s). 0015, 0018, 0100, 0111, 0112, 0207.	236	691867	Link–Lockout Used on Type No(s). 0015, 0018.	333	496914	Armature–Magneto
			265A	690798	Clamp–Casing Used on Type No(s). 0015, 0018, 0100, 0111, 0112, 0113, 0117.	334	691061	Screw (Magneto Armature)
			267	691044	Screw (Casing Clamp)	337	802592	Plug–Spark Used on Type No(s). 0015, 0018, 0100, 0111, 0112, 0207.
			268	691072	Casing–Control Wire (48" Long) (Cut To Required Length)	337A	697451	Plug–Spark Used on Type No(s). 0113, 0116, 0117, 0459, 0462.
						356	692390	Wire–Stop
						358	699933	Gasket Set–Engine
						363	19069	Puller–Flywheel
						365	790029	Screw (Carburetor)
						383	89838	Wrench–Spark Plug
						390	691839	Spring–Choke Diaphragm
						393	691837	Screen–Carburetor
						394	495770	Diaphragm–Carburetor
						404	690272	Washer (Governor Crank)

★ Engine Gasket Set–Reference 358  
● Carburetor Overhaul Kit–Reference 121

◆ Carburetor Gasket Set–Reference 977  
△ Valve Gasket Set–Reference 1095

# 10E900

REF. NO.	PART NO.	DESCRIPTION	REF. NO.	PART NO.	DESCRIPTION	REF. NO.	PART NO.	DESCRIPTION
455	691236	Cup-Flywheel	668	692889	Spacer	869	699641	Seat-Valve (Intake)
456	692299	Plate-Pawl Friction	670	691633	Spacer-Fuel Tank			(Used After Code Date 03080300).
459	281505	Pawl-Ratchet	676	393756	Deflector-Muffler Used on Type No(s). 0015, 0018.			----- Note -----
469	694420	Ring-Rotating Trim (Used Before Code Date 03080800).	677	690661	Screw (Muffler Deflector)			691701 Seat-Valve (Intake)
505	691251	Nut (Governor Control Lever)	689	691855	Spring-Friction			(Used Before Code Date 03080400).
523	692040	Dipstick	718	690959	Pin-Locating (Cylinder)	870	699642	Seat-Valve (Exhaust)
524	★691876	Seal-Dipstick Tube	718A	499047	Pin-Locating (Crankshaft)			(Used After Code Date 03080300).
525	691320	Tube-Dipstick	724	697478	Retainer-Seal			----- Note -----
529	692189	Grommet	729	690586	Clip-Wire			691702 Seat-Valve (Exhaust)
534	691417	Screw (Air Cleaner)	741	691805	Gear-Timing			(Used Before Code Date 03080400).
535	272235	Filter-Air Cleaner Foam (Used Before Code Date 02101100).	745	691146	Screw (Brake) (7/8" Long)	871	699643	Bushing-Valve Guide (Exhaust Valve)
535A	698369	Filter-Air Cleaner Foam (Used After Code Date 02101000).	745A	690859	Screw (Brake) (1/2" Long)			(Used After Code Date 03080300).
536A	698472	Cleaner-Air	772	691111	Screw (Linkage Cover)			----- Note -----
562	92613	Bolt (Governor Control Lever)	832	699299	Guard-Muffler (Super Lo Tone)			231348 Bushing-Valve Guide
592	690800	Nut (Rewind Starter)	832A	699670	Guard-Muffler (Round Lo Tone)			(Used Before Code Date 03080400).
597	691696	Screw (Pawl Friction Plate)	832B	790744	Guard-Muffler Used on Type No(s). 0462.			63709 Bushing-Valve Guide (Intake Valve)
608	499706	Starter-Rewind	836	690664	Screw (Muffler Guard)	883	★△691880	Gasket-Exhaust
612	496046	Tube-Pick Up	836A	790745	Screw (Muffler Guard)	913	494409	Seat-Check Valve
613	691413	Screw (Muffler) (Super Lo Tone)	842	★691870	Seal-O Ring (Dipstick Tube)	921	694044	Cover-Blower Housing Used on Type No(s). 0015, 0018, 0100, 0111, 0112, 0113, 0116, 0117.
615	690340	Retainer-Governor Shaft	847	691440	Dipstick/Tube Assembly	921A	698709	Cover-Blower Housing Used on Type No(s). 0459.
616	697405	Crank-Governor	851	493880	Terminal-Spark Plug	921B	699796	Cover-Blower Housing Used on Type No(s). 0462.
617	270344	Seal-O Ring (Intake Manifold)				922	692135	Spring-Brake
621	692310	Switch-Stop				923	691487	Brake
633	691321	Seal-Choke/Throttle Shaft (Throttle)				925	691349	Cover-Linkage Used on Type No(s). 0462.
635	66538	Boot-Spark Plug				957	497929	Cap-Fuel Tank
643	691911	Retainer-Air Filter (Used Before Code Date 02101100).						

★ Engine Gasket Set-Reference 358  
● Carburetor Overhaul Kit-Reference 121

◆ Carburetor Gasket Set-Reference 977  
△ Valve Gasket Set-Reference 1095

**10E900**

REF. NO.	PART NO.	DESCRIPTION	REF. NO.	PART NO.	DESCRIPTION	REF. NO.	PART NO.	DESCRIPTION
<b>969</b>	<b>692198</b>	Screw (Blower Housing Cover) (7/16" Long)	<b>976</b>	<b>694394</b>	Primer-Carburetor	<b>1058</b>	<b>275508</b>	Operator's Manual
<b>969A</b>	<b>694046</b>	Screw (Blower Housing Cover) (2 1/4" Long) Used on Type No(s). 0459.	<b>1019</b>	<b>697428</b>	Kit-Label	<b>1095</b>	<b>498526</b>	Gasket Set-Valve
<b>969B</b>	<b>692523</b>	Screw (Blower Housing Cover) (2/3" Long) Used on Type No(s). 0462.	<b>1036</b>	<b>790715</b>	Label-Emissions (Used After Code Date 04063000). ----- <b>Note</b> ----- <b>695108</b> Label- Emissions (Used Before Code Date 04070100).	<b>1210</b>	<b>499901</b>	Pulley/Spring Assembly (Pulley)
						<b>1211</b>	<b>499901</b>	Pulley/Spring Assembly (Spring)
						<b>1277</b>	<b>698718</b>	Guard-Governor Nut
						<b>1278</b>	<b>691002</b>	Screw (Governor Nut Guard)
						<b>1330</b>	<b>270962</b>	Repair Manual

★ Engine Gasket Set-Reference 358  
● Carburetor Overhaul Kit-Reference 121

◆ Carburetor Gasket Set-Reference 977  
△ Valve Gasket Set-Reference 1095