

9C900

Illustrated Parts List

Model Series

9C900

TYPE NUMBERS
0304 through 2135.

TABLE OF CONTENTS

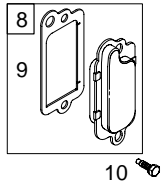
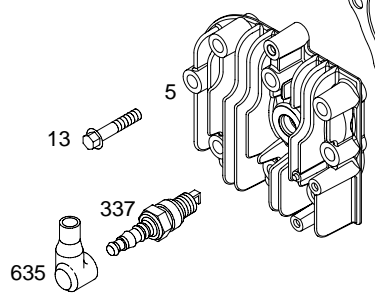
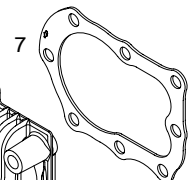
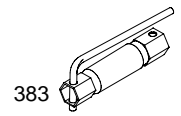
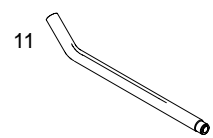
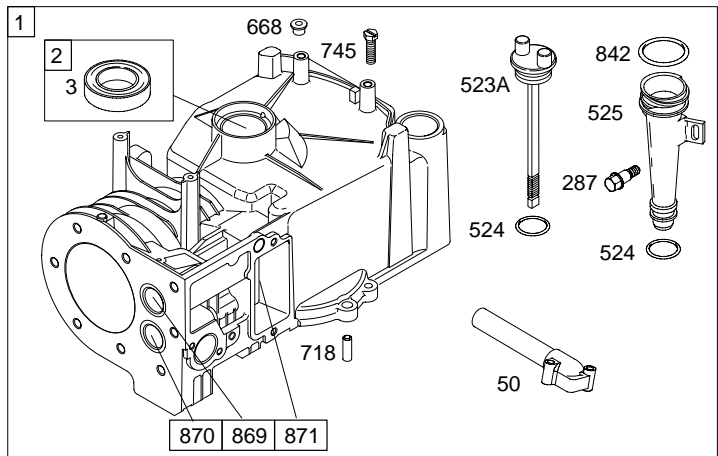
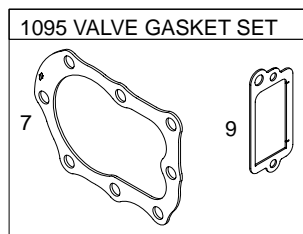
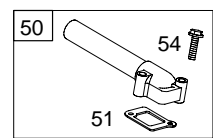
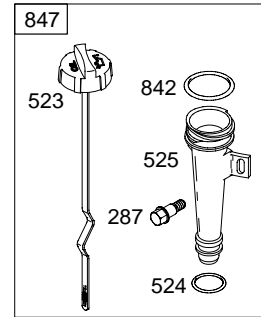
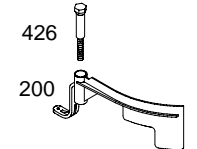
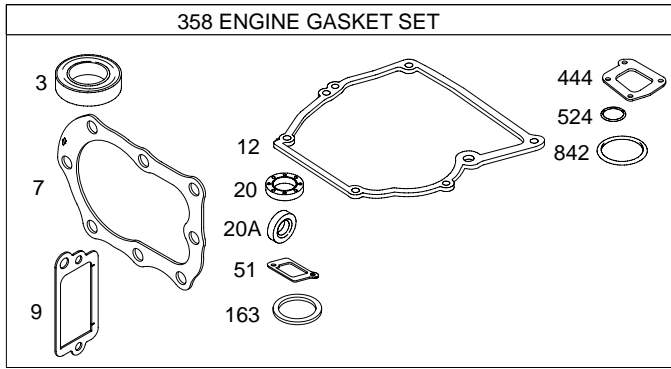
Air Cleaner	6
Blower Housing	7
Brake	9
Cams	3
Carburetor	4
Controls	5
Covers	7
Crankcase Cover/Sump	3
Crankshaft	3
Cylinder	2
Flywheel	7
Fuel Tank	4
Governor Spring	5
Head	2
Ignition	5
Kits/Gaskets	2
Muffler	6
Oil	2
Piston Group	3
Rewind/Blower Housing 1	8
Rewind/Blower Housing 2	9
Valves	3



PRINTED IN U.S.A.

COPYRIGHT by BRIGGS & STRATTON CORPORATION
 All rights reserved. No part of this material may be reproduced or transmitted, in any form or by any means, electronic or mechanical, including photocopying, recording or by any information storage and retrieval system, without permission in writing from Briggs & Stratton Corporation.

9C900

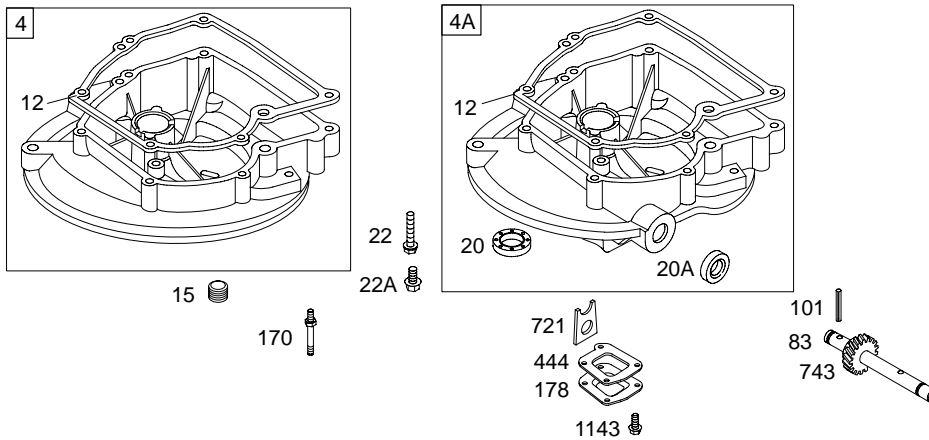
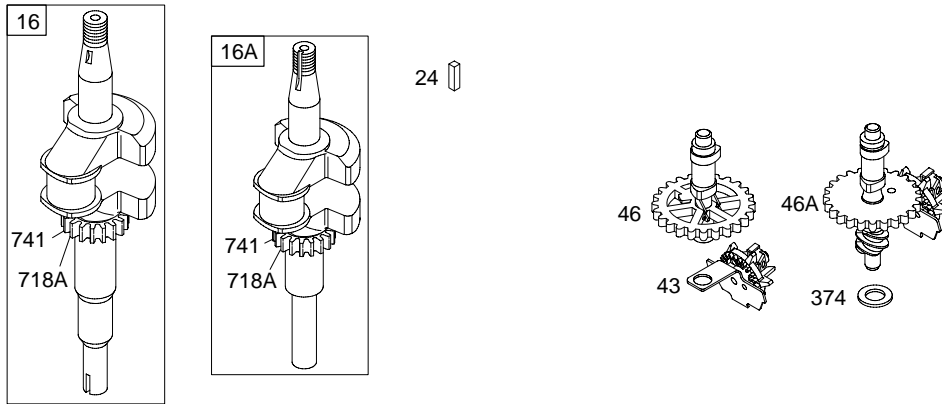
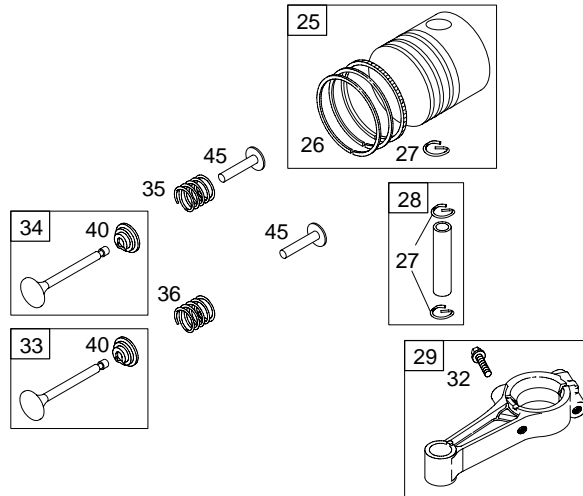


1019 LABEL KIT

1058 OWNER'S MANUAL

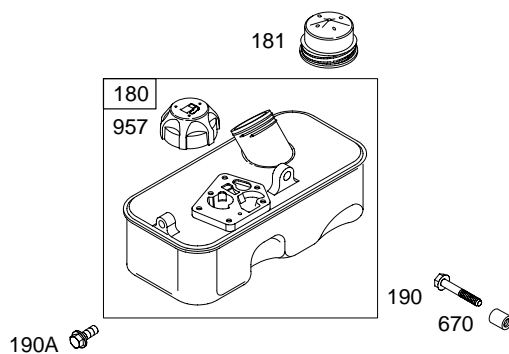
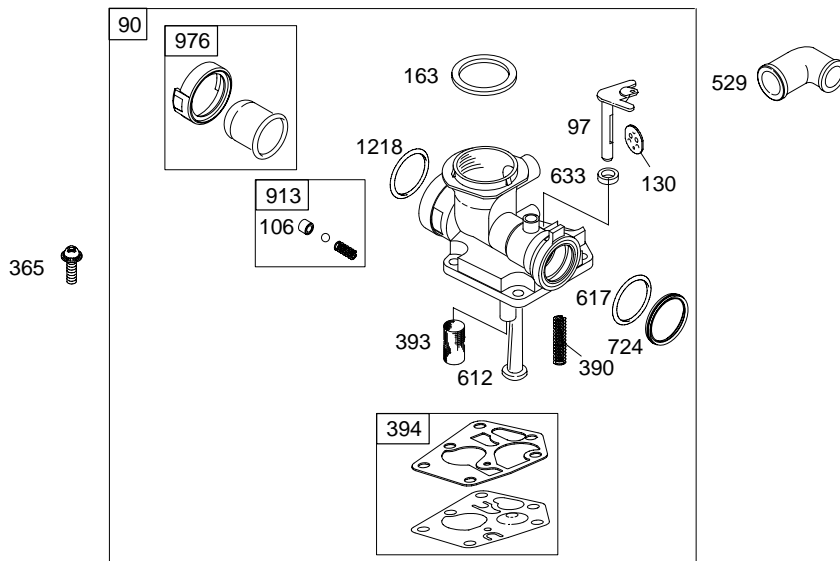
1330 REPAIR MANUAL

Illustrations cover a range of engines. Parts shown without corresponding text may not be used on your specific engine.
 0979-2 Assemblies include all parts shown in frames. 05/18/2004

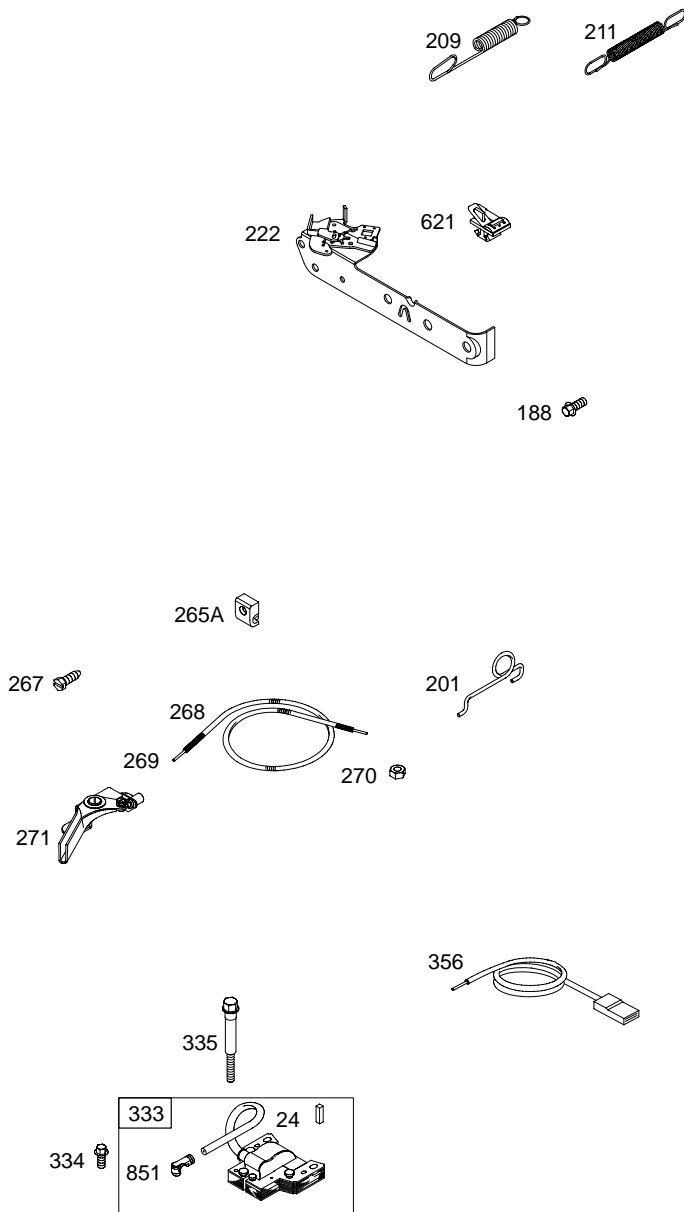


Illustrations cover a range of engines. Parts shown without corresponding text may not be used on your specific engine.
 0979-3 Assemblies include all parts shown in frames. 05/18/2004

9C900

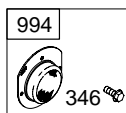
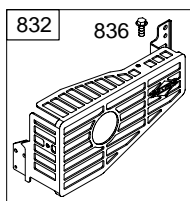
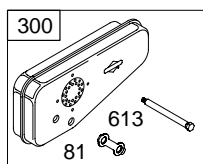
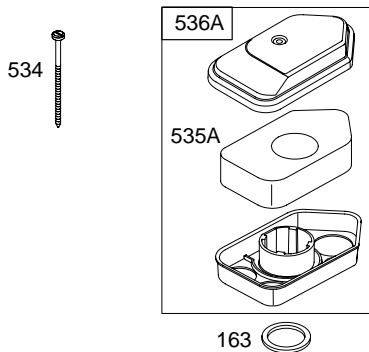


Illustrations cover a range of engines. Parts shown without corresponding text may not be used on your specific engine.
0979-4 Assemblies include all parts shown in frames. 05/18/2004

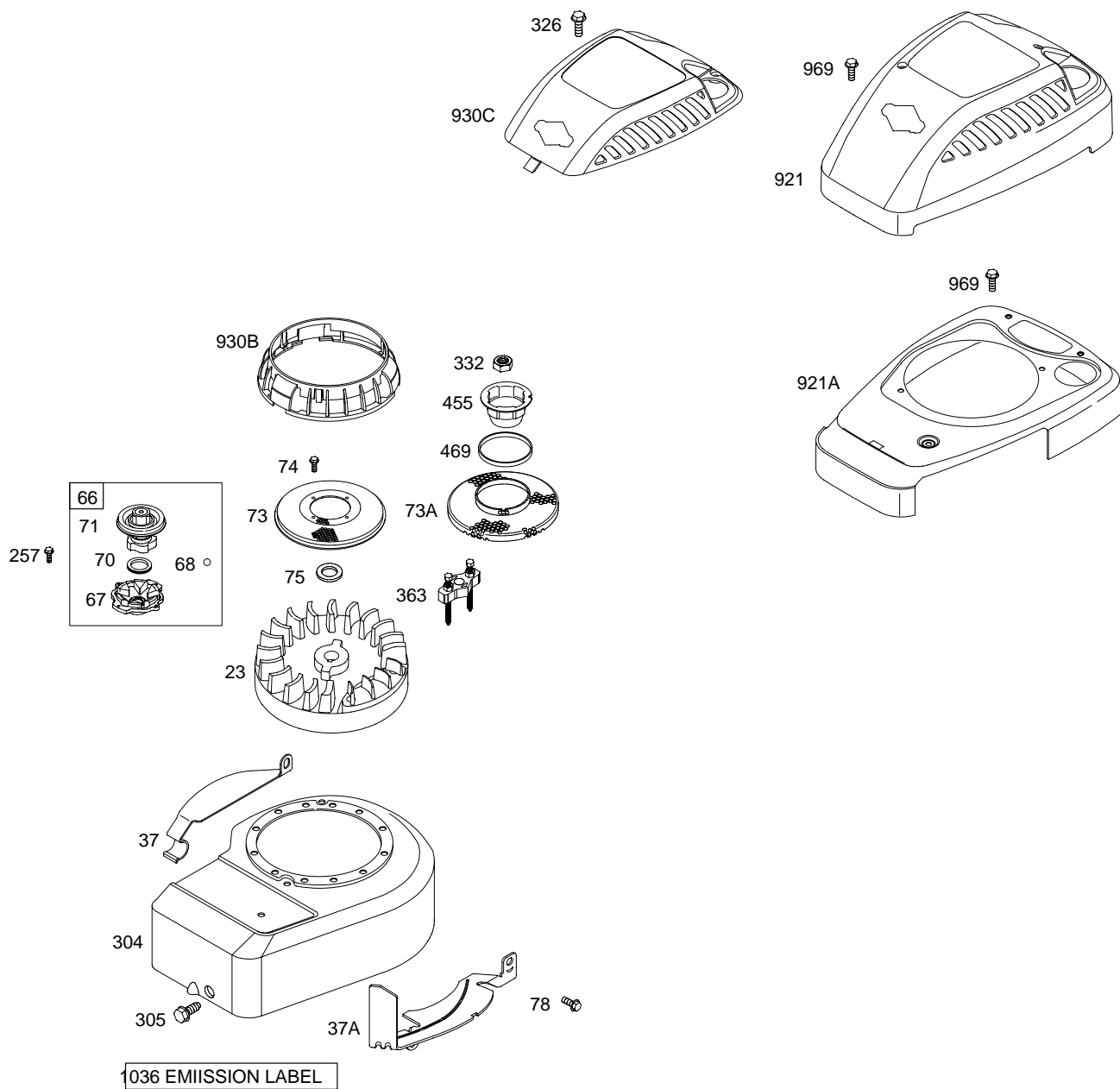


0979-5 *Illustrations cover a range of engines. Parts shown without corresponding text may not be used on your specific engine.* Assemblies include all parts shown in frames. 05/18/2004

9C900

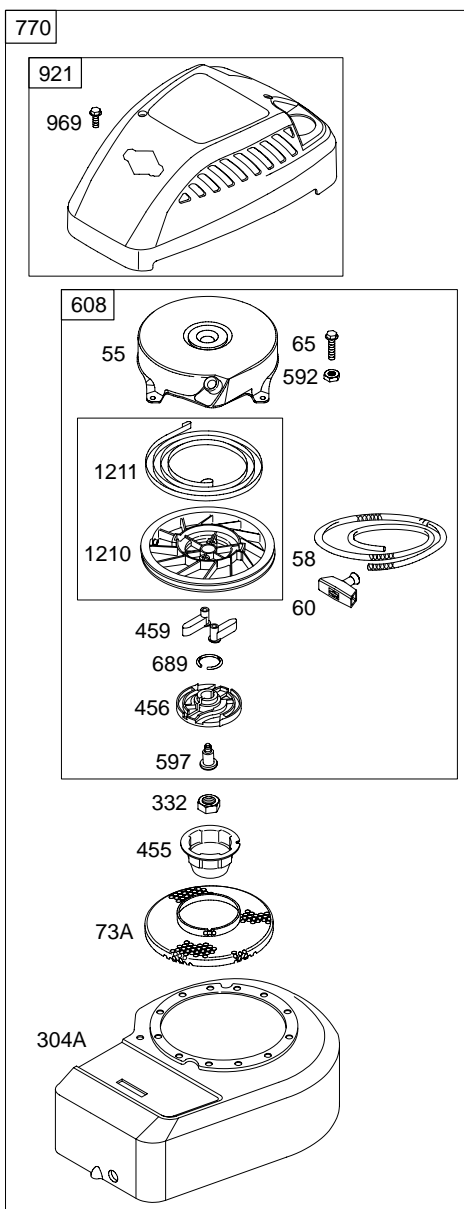


Illustrations cover a range of engines. Parts shown without corresponding text may not be used on your specific engine.
0979-6 Assemblies include all parts shown in frames. 05/18/2004



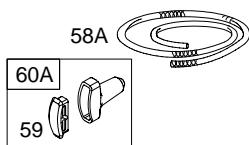
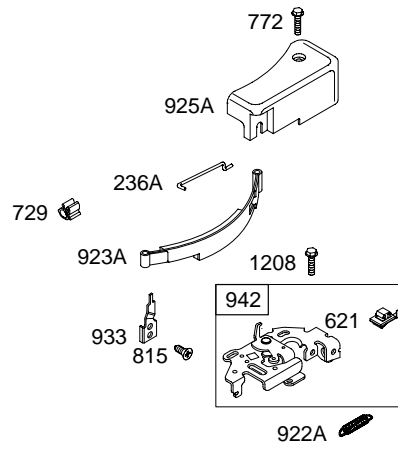
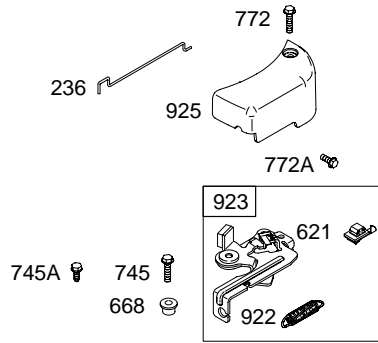
Illustrations cover a range of engines. Parts shown without corresponding text may not be used on your specific engine.
 0979-7 Assemblies include all parts shown in frames. 05/18/2004

9C900



305

Illustrations cover a range of engines. Parts shown without corresponding text may not be used on your specific engine.
0979-8 Assemblies include all parts shown in frames. 05/18/2004



Illustrations cover a range of engines. Parts shown without corresponding text may not be used on your specific engine.
0979-9 Assemblies include all parts shown in frames. 05/18/2004

9C900

REF. NO.	PART NO.	DESCRIPTION	REF. NO.	PART NO.	DESCRIPTION	REF. NO.	PART NO.	DESCRIPTION
1	699653	Cylinder Assembly	11	691245	Tube-Breather	23	692009	Flywheel
2	399269	Kit-Bushing/Seal (Magneto Side)	12	★692218	Gasket-Crankcase (.015" Thick) (Standard)	24	222698	Key-Flywheel
3	★299819	Seal-Oil (Magneto Side)			Note	25	699657	Piston Assembly (Standard) (Used After Code Date 03080300).
4	395384	Sump-Engine (Used Before Code Date 02111300).			Note			Note
		Note			270895			498668
		698691 Sump-Engine (Used After Code Date 02111200).			Crankcase (.005" Thick)			Piston Assembly (Used After Code Date 96020500 and Before Code Date 03080400).
4A	395390	Sump-Engine (Auxiliary PTO) Used on Type No(s). 0305.	13	691640	Screw (Cylinder Head)			298904
			15	691680	Plug-Oil Drain			Piston Assembly (Standard) (Used Before Code Date 96020600).
5	690386	Head-Cylinder	16	492748	Crankshaft			498670
7	★△698717	Gasket-Cylinder Head (Used After Code Date 04011800).			Note			Piston Assembly (.020" Oversize) (Used After Code Date 96020500).
		Note	16A	692990	Crankshaft Used on Type No(s). 0304, 0307.			298906
		692288 Gasket- Cylinder Head (Used After Code Date 97073100 and Before Code Date 04011900).			492086 Crankshaft Used on Type No(s). 2033, 2131, 2135.			Piston Assembly (.020" Oversize) (Used Before Code Date 96020600).
		272536 Gasket-Cylinder Head (Used Before Code Date 97073100).	20	★391483	Seal-Oil (PTO Side)			298906
			20A	★691952	Seal-Oil (PTO Side) (Auxiliary Drive)			Piston Assembly (.020" Oversize) (Used Before Code Date 96020600).
			22	691662	Screw (Crankcase Cover/Sump)	26	699658	Ring Set (Standard) (Used After Code Date 03080300).
8	699640	Breather Assembly (Used After Code Date 03080300).	22A	691681	Screw (Crankcase Cover/Sump) Used on Type No(s). 0305.			Note
		Note						498680
		495785 Breather Assembly (Used Before Code Date 03080400).						Ring Set (Used After Code Date 96020500 and Before Code Date 03080400).
9	★△695890	Gasket-Breather						298982
10	691666	Screw (Breather Assembly)						Ring Set (Standard) (Used Before Code Date 96020600).
								498682
								Ring Set (.020" Oversize) (Used After Code Date 96020500).
								298984
								Ring Set (.020" Oversize) (Used Before Code Date 96020600).

★ Included in Engine Gasket Set-Ref. No.358.

● Included in Carburetor Overhaul Kit-Ref. No. 121.

◆ Included in Carburetor Gasket Set-Ref. No. 977.

△ Included in Valve Gasket Set-Ref. No 1095.

Illustrations cover a range of engines. Parts shown without corresponding text may not be used on your specific engine.

0979-10

Assemblies include all parts shown in frames.

05/18/2004

9C900

REF. NO.	PART NO.	DESCRIPTION	REF. NO.	PART NO.	DESCRIPTION	REF. NO.	PART NO.	DESCRIPTION
27	691588	Lock-Piston Pin	51	★270345	Gasket-Intake	81	691179	Lock-Muffler Screw
28	699659	Pin-Piston (Standard) (Used After Code Date 03080300).	54	93485	Screw (Intake Manifold)	83	691240	Shaft-Auxiliary Drive
		Note	55	692144	Housing-Rewind Starter	90	498809	Carburetor (Used After Code Date 96051900).
		298909 Pin-Piston (Standard) (Used Before Code Date 03080400).	58	697316	Rope-Starter (1/8" Diameter, 88-5/8" Long)(Cut To Required Length)			Note
29	699654	Rod-Connecting (Standard) (Used After Code Date 03093000).	58A	280406	Rope-Starter (1/8" Diameter, 82" Long)(Cut To Required Length)	97	691931	Shaft-Throttle
		Note	59	396892	Insert-Grip	101	691623	Pin-Shaft (Drive Gear)
		294367 Rod-Connecting (Used After Code Date 03080300 and Before Code Date 03100100).	60	691915	Grip-Starter Rope	106	691901	Seat-Inlet
		294201 Rod-Connecting (Standard) (Used Before Code Date 03080400).	60A	393152	Grip-Starter Rope	130	691190	Valve-Throttle
		296079 Rod-Connecting (.020" Undersize)	65	690837	Screw (Rewind Starter)	163	★271139	Gasket-Air Cleaner
32	691664	Screw (Connecting Rod)	66	399671	Clutch-Starter (Used Before Code Date 97060600).	170	691690	Stud (Crankcase Cover/Sump)
33	296676	Valve-Exhaust	67	394897	Housing-Clutch (Used Before Code Date 97060600).	178	690398	Cover-Drive Gear
34	296677	Valve-Intake	68	691604	Ball-Clutch (Used Before Code Date 97060600).	180	494406	Tank-Fuel (Metal)
35	690520	Spring-Valve (Intake)	70	691945	Ratchet-Clutch (Used Before Code Date 97060600).	181	493982	Cap-Fuel Tank (Metal)
36	690520	Spring-Valve (Exhaust)	71	691359	Cover-Ratchet	188	692198	Screw (Control Bracket)
37	690482	Guard-Flywheel (Carburetor Side)	73	691725	Screen-Rotating (Used Before Code Date 97060600).	190	691640	Screw (Fuel Tank)
37A	691209	Guard-Flywheel (Muffler Side)	73A	699850	Screen-Rotating (Used After Code Date 03082400).	190A	692198	Screw (Fuel Tank)
40	692194	Retainer-Valve			Note	200	691912	Blade-Governor
43	691983	Slinger-Governor/Oil			694018 Screen-Rotating (Used After Code Date 97060500 and Before Code Date 03082500).	201	690347	Link-Air Vane
45	691762	Tappet-Valve	74	94058	Screw (Rotating Screen)	209	691861	Spring-Governor (Brown) (Used After Code Date 96051900).
46	691998	Camshaft	75	691736	Washer (Flywheel)			Note
46A	690644	Camshaft (Counterclockwise) Used on Type No(s). 0305.	78	692198	Screw (Flywheel Guard)			692211 Spring-Governor (No Color) (Used Before Code Date 96052000).
50	699644	Manifold-Intake (Used After Code Date 03080300).						690254 Spring-Governor (Light Blue) Used on Type No(s). 0333, 2033, 2104, 2131, 2135.
		Note						
		693446 Manifold-Intake (Used Before Code Date 03080400).						

★ Included in Engine Gasket Set-Ref. No.358.

● Included in Carburetor Overhaul Kit-Ref. No. 121.

◆ Included in Carburetor Gasket Set-Ref. No. 977.

△ Included in Valve Gasket Set-Ref. No 1095.

Illustrations cover a range of engines. Parts shown without corresponding text may not be used on your specific engine.

9C900

REF. NO.	PART NO.	DESCRIPTION	REF. NO.	PART NO.	DESCRIPTION	REF. NO.	PART NO.	DESCRIPTION
211	691859	Spring—Governed Idle	358	699933	Gasket Set—Engine (Used After Code Date 03080300).	608	499706	Starter—Rewind (For Use On Engines Without Brake) (Used After Code Date 97060500).
222	691446	Bracket—Control			Note			
236	691867	Link—Lockout (Used After Code Date 97071300).			298989 Gasket Set—Engine (Used Before Code Date 03080400).			Note
236A	691826	Link—Lockout (Used Before Code Date 97071400).						499925 Starter— Rewind (Used Before Code Date 97060600).
257	691660	Screw (Starter Clutch)	363	19069	Puller—Flywheel	612	496046	Tube—Pick Up
265A	690798	Clamp—Casing	365	692200	Screw (Carburetor)	613	691413	Screw (Muffler)
267	691044	Screw (Casing Clamp)	374	691074	Washer (Camshaft)	617	270344	Seal—O Ring (Intake Manifold)
268	691072	Casing—Control Wire (Cut To Required Length)	383	89838	Wrench—Spark Plug	621	692310	Switch—Stop
269	691589	Wire—Control (Cut To Required Length)	390	691839	Spring—Choke Diaphragm	633	691321	Seal—Choke/Throttle Shaft
270	691027	Nut (Control Wire Casing)	393	691837	Screen—Carburetor	635	66538	Boot—Spark Plug
271	691028	Lever—Control	394	495770	Diaphragm—Carburetor	668	692889	Spacer
287	691002	Screw (Dipstick Tube)	426	691107	Screw (Governor Blade)	670	691633	Spacer—Fuel Tank (Used After Code Date 97071300).
300	692307	Muffler (Super Lo Tone)	444	691868	Gasket—Drive Gear Cover			Note
304	691484	Housing—Blower (Compliance Engines) (Used Before Code Date 99010400).	455	691236	Cup—Flywheel (Used After Code Date 97060500).			691631 Spacer—Fuel Tank (Used Before Code Date 97071400).
304A	694236	Housing—Blower (Used After Code Date 99010300).	456	692299	Plate—Pawl Friction	689	691855	Spring—Friction
305	692198	Screw (Blower Housing)	459	281505	Pawl—Ratchet	718	690959	Pin—Locating
326	692779	Screw (Rewind Guard)	469	694420	Ring—Rotating Trim (Used Before Code Date 03082500).	718A	499047	Pin—Locating
332	690662	Nut (Flywheel)	523	692040	Dipstick	721	690397	Stop—Shaft
333	496914	Armature—Magneto	523A	691913	Dipstick	724	697478	Retainer—Seal
334	691061	Screw (Magneto Armature)	524	692296	Seal—Dipstick Tube	729	690586	Clip—Wire
335	691107	Screw (Magneto Armature With Air Vane)	525	691320	Tube—Dipstick	741	691805	Gear—Timing
337	802592	Plug—Spark	529	692189	Grommet	743	691772	Gear—Drive (Counterclockwise) Used on Type No(s). 0305.
346	690661	Screw (Spark Arrestor)	534	691417	Screw (Air Cleaner)	745	691146	Screw (Brake)
356	692390	Wire—Stop (1 Wire, 17" Long)(Snap Connect Insulated Female Blade Terminal, And Bare Wire End)	535A	698369	Filter—Air Cleaner Foam	745A	690859	Screw (Brake)
			536A	698472	Cleaner—Air (Plastic)			
			592	690800	Nut (Rewind Starter)			
			597	691696	Screw (Pawl Friction Plate)			

★ Included in Engine Gasket Set—Ref. No.358.

● Included in Carburetor Overhaul Kit—Ref. No. 121.

◆ Included in Carburetor Gasket Set—Ref. No. 977.

△ Included in Valve Gasket Set—Ref. No 1095.

Illustrations cover a range of engines. Parts shown without corresponding text may not be used on your specific engine.

0979-12

Assemblies include all parts shown in frames.

05/18/2004

9C900

REF. NO.	PART NO.	DESCRIPTION	REF. NO.	PART NO.	DESCRIPTION	REF. NO.	PART NO.	DESCRIPTION							
770	690098	Kit-Rewind/Blower Housing (For Use On Engines With Brake) (Used Before Code Date 97060600).	871	699643	Bushing-Valve Guide (Exhaust) (Used After Code Date 03080300).	957	497929	Cap-Fuel Tank (Plastic)(Black)							
772	691111	Screw (Linkage Cover)			Note	969	691698	Screw (Blower Housing Cover)							
772A	690345	Screw (Linkage Cover)			231348	699643	Bushing-Valve Guide (Exhaust) (Used Before Code Date 03080400).	976	694394	Primer-Carburetor					
815	690324	Screw (Bank Brake Pivot)			63709	699643	Bushing-Valve Guide (Intake)	994	398067	Arrestor-Spark					
832	494896	Guard-Muffler (Super Lo Tone)	913	494409	Seat-Check Valve	1019	699934	Kit-Label (Used After Code Date 03080300).			Note				
836	690664	Screw (Muffler Guard)	921	694044	Cover-Blower Housing (Used After Code Date 97120300).	1036	695108	Label-Emissions (Used After Code Date 99093000).			496757	Kit-Label (Used Before Code Date 03080400).			
842	★691870	Seal-O Ring (Dipstick Tube)	921A	499247	Cover-Blower Housing (Used Before Code Date 97120400).			Note			694409	Label-Emissions (Used After Code Date 98123100 and Before Code Date 99100100).			
847	691440	Dipstick/Tube Assembly	922	692135	Spring-Brake (Used After Code Date 97071300).			499332	Label-Emissions (Used Before Code Date 99010100).			1058	275508	Operator's Manual	
851	493880	Terminal-Spark Plug	922A	691809	Spring-Brake (Used Before Code Date 97071400).			1095	498526	Gasket Set-Valve			1143	691666	Screw (Drive Gear Cover) (Coarse Thread)
869	699641	Seat-Valve (Intake) (Used After Code Date 03080300).	923	691487	Brake (Used After Code Date 97071300).			1208	691146	Screw (Brake Bracket)			1210	499901	Pulley/Spring Assembly (Pulley)
		Note	923A	394867	Brake (Band)			1211	499901	Pulley/Spring Assembly (Spring)			1218	695866	Seal-O Ring (Carburetor)
		691701	Seat-Valve (Intake) (Used Before Code Date 03080400).	925	691349	Cover-Linkage (Used After Code Date 97071300).			1330	270962	Repair Manual				
870	699642	Seat-Valve (Exhaust) (Used After Code Date 03080300).	925A	691329	Cover-Linkage (Used Before Code Date 97071300).										
		Note	930B	691348	Guard-Rewind										
		691702	Seat-Valve (Exhaust) (Used Before Code Date 03080400).	930C	691932	Guard-Rewind (Used Before Code Date 99010400).									
				933	690428	Pivot-Band Brake									
				942	493248	Bracket-Brake (Used Before Code Date 97071400).									

★ Included in Engine Gasket Set-Ref. No.358.

● Included in Carburetor Overhaul Kit-Ref. No. 121.

◆ Included in Carburetor Gasket Set-Ref. No. 977.

△ Included in Valve Gasket Set-Ref. No 1095.

Illustrations cover a range of engines. Parts shown without corresponding text may not be used on your specific engine.