



**10A900**

# Illustrated Parts List

## Model Series

# 10A900

TYPE NUMBERS  
0015 through 2299.

### TABLE OF CONTENTS

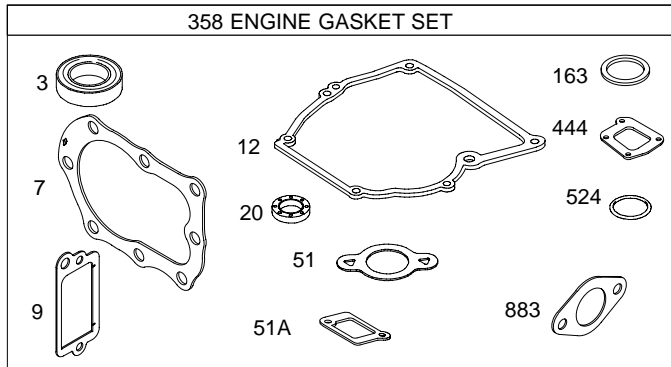
Air Cleaner .....	5
Blower Housing/Covers .....	7
Brake .....	7
Cams .....	3
Carburetor .....	4
Controls .....	5
Crankcase Cover/Sump .....	3
Crankshaft .....	3
Cylinder .....	2
Flywheel .....	7
Fuel Tank .....	4
Governor Spring .....	5
Head .....	2
Ignition .....	5
Kits/Gaskets-Engine .....	2
Kits/Gaskets-Valve .....	2
Muffler .....	6
Oil Group .....	2
Piston Group .....	3
Rewind Kits .....	8
Valves .....	3



PRINTED IN U.S.A.

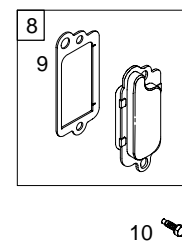
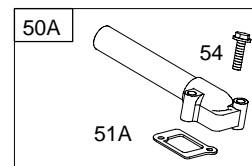
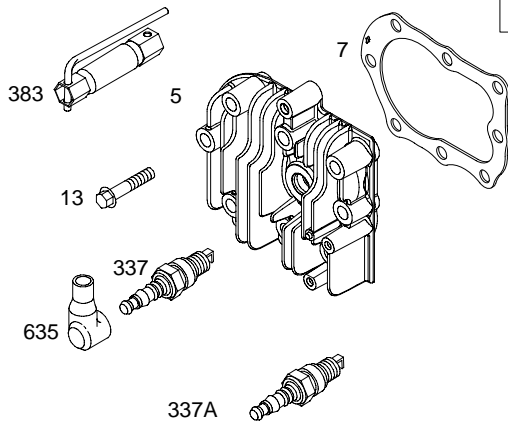
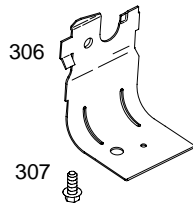
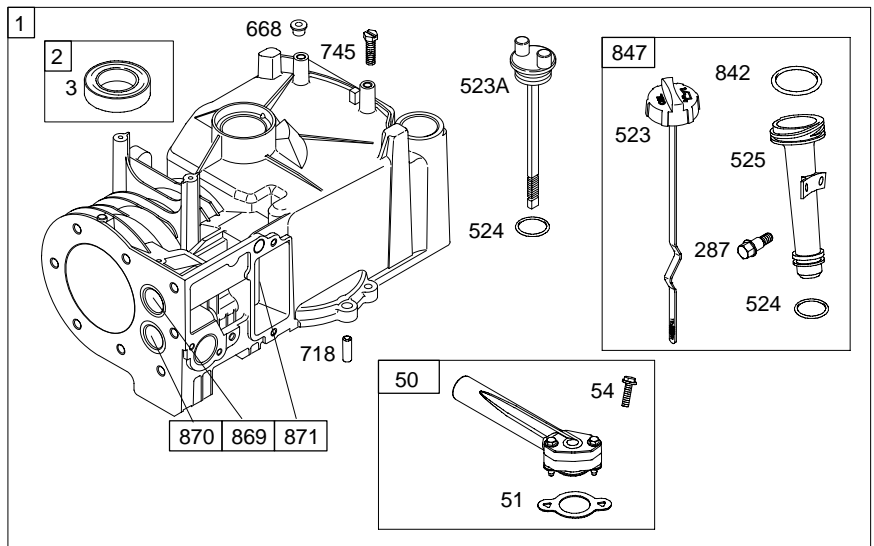
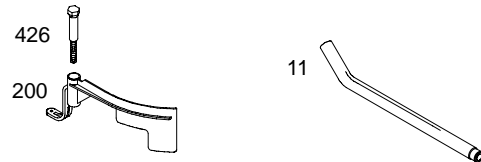
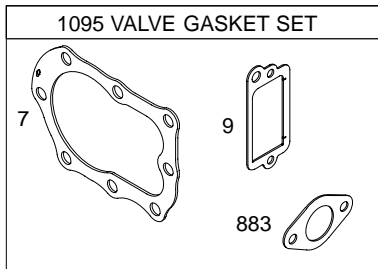
COPYRIGHT by BRIGGS & STRATTON CORPORATION  
All rights reserved. No part of this material may be reproduced or transmitted, in any form or by any means, electronic or mechanical, including photocopying, recording or by any information storage and retrieval system, without permission in writing from Briggs & Stratton Corporation.

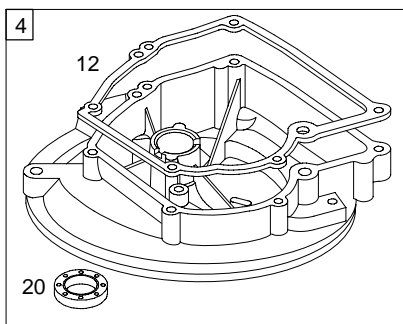
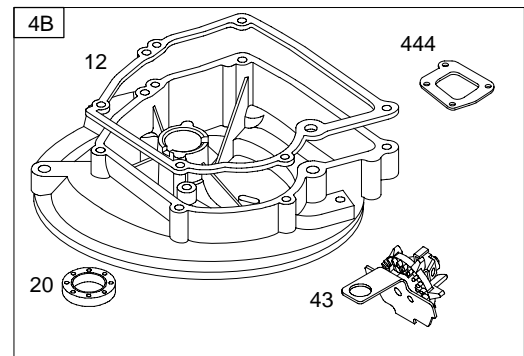
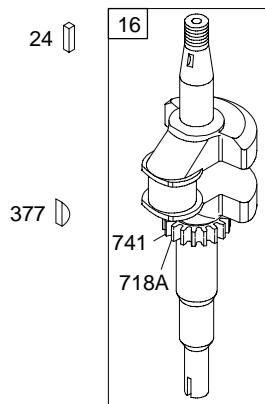
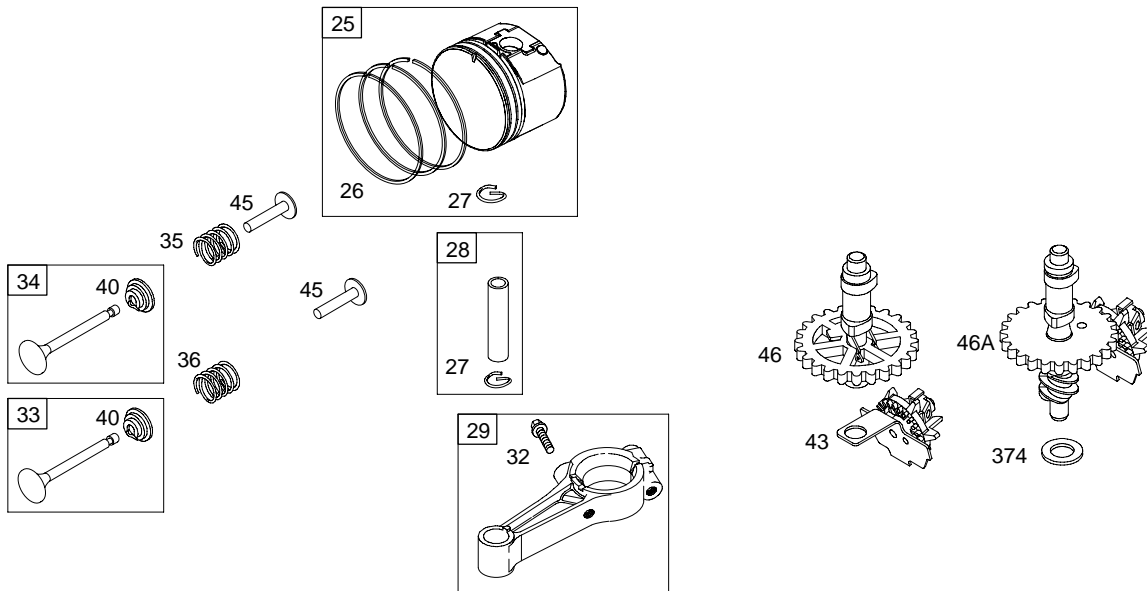
# 10A900



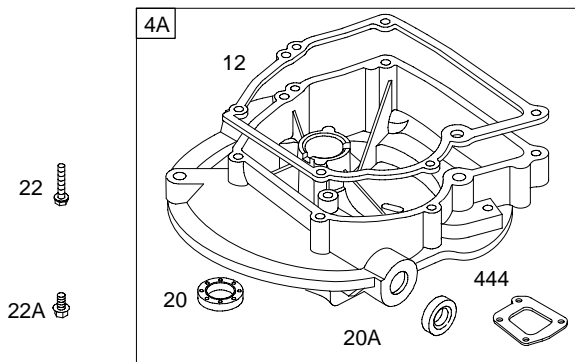
1058 OWNER'S MANUAL

1330 REPAIR MANUAL





15



721

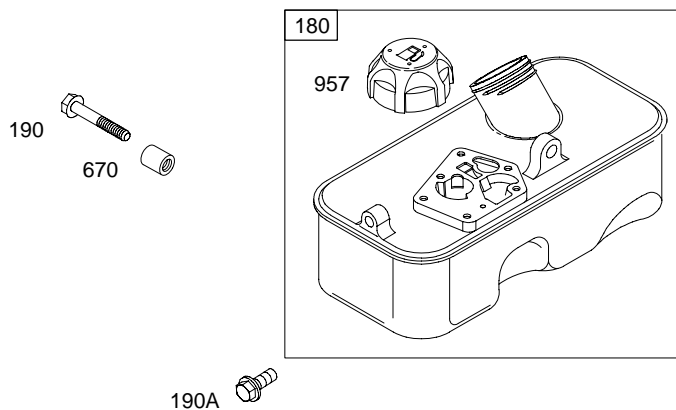
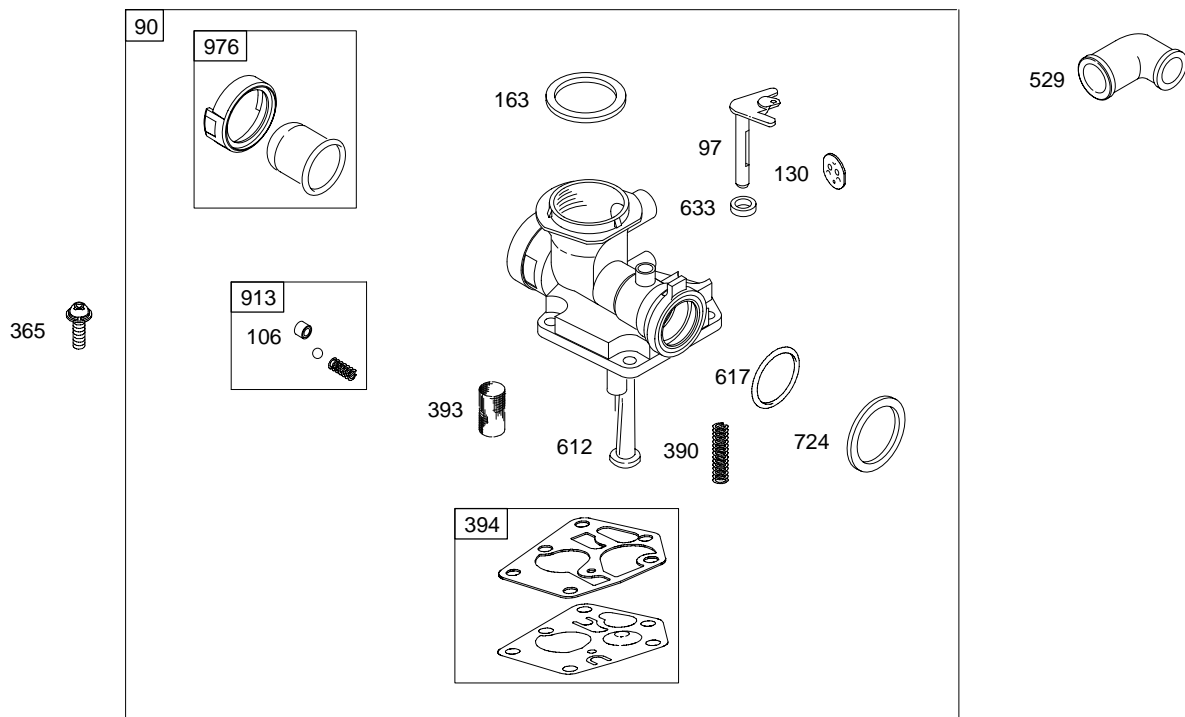
444

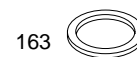
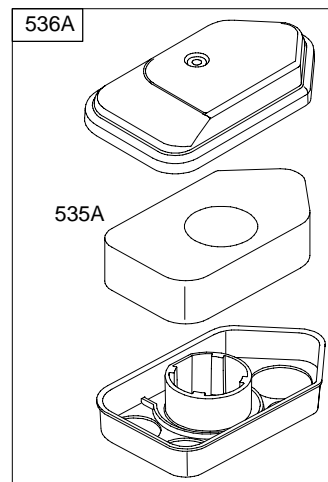
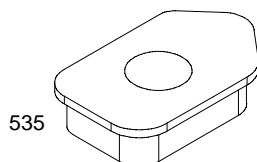
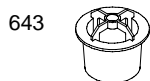
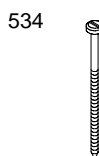
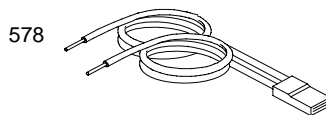
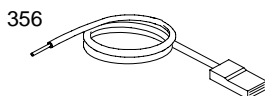
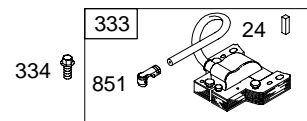
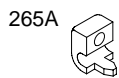
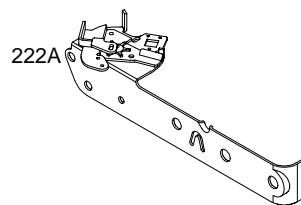
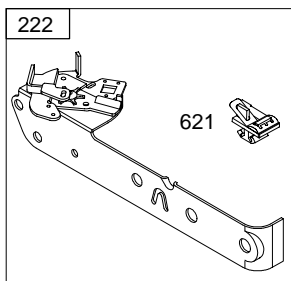
178

1143

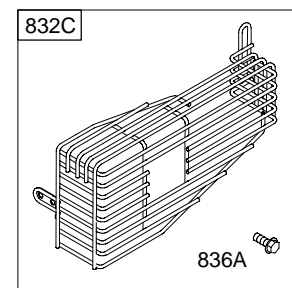
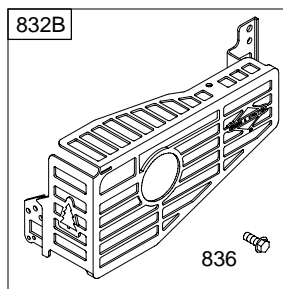
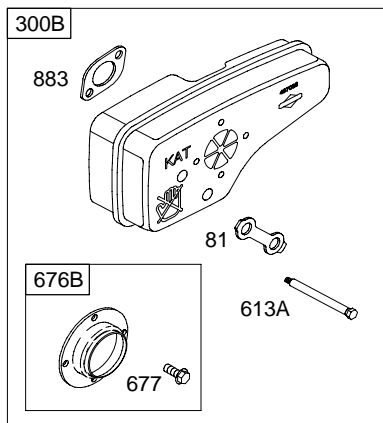
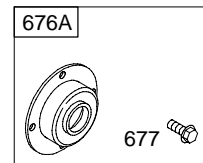
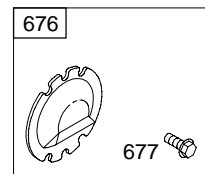
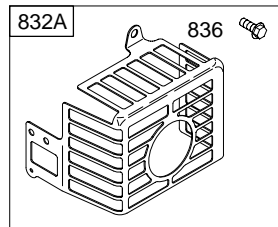
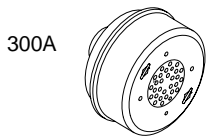
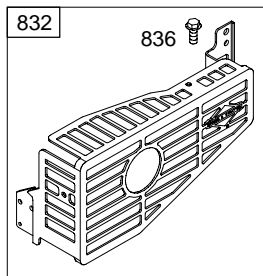
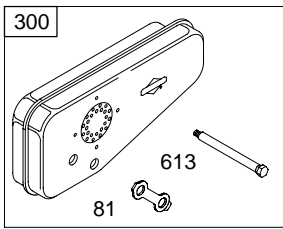
101  
83  
743

# 10A900



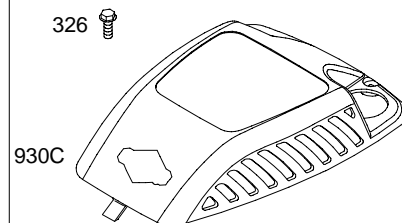
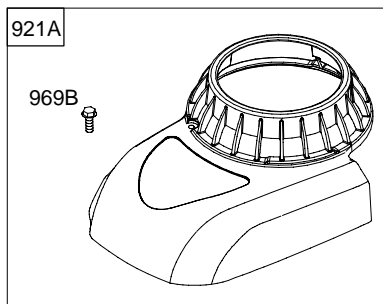
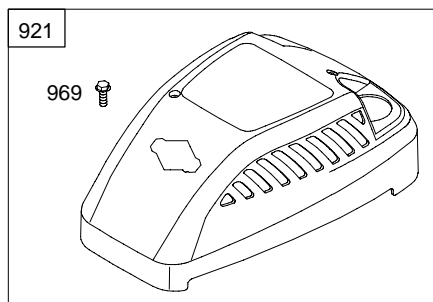


# 10A900

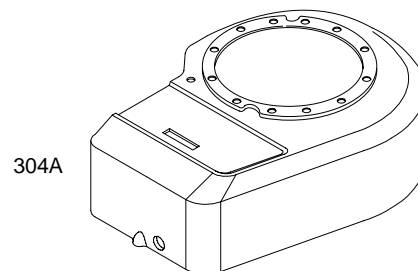
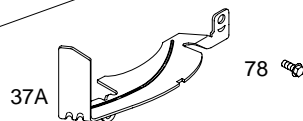
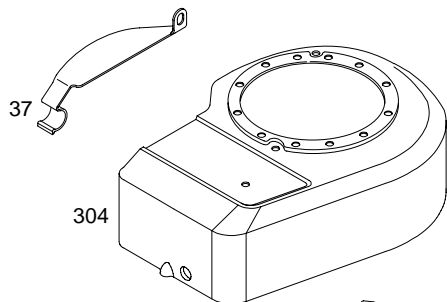
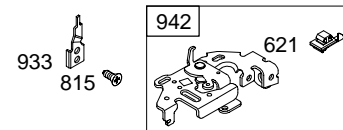
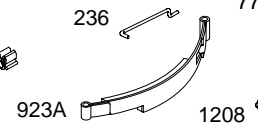
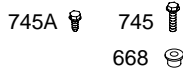
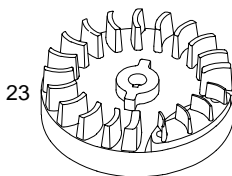
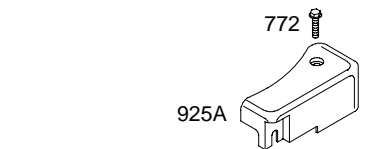
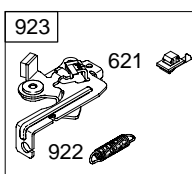
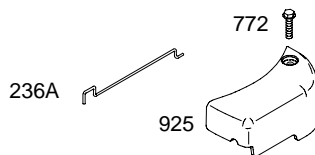
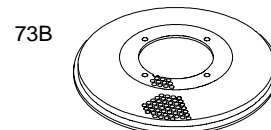
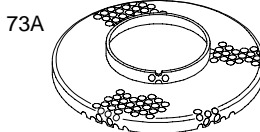
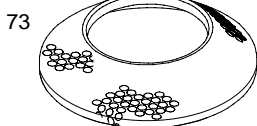


1036 EMISSIONS LABEL

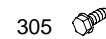
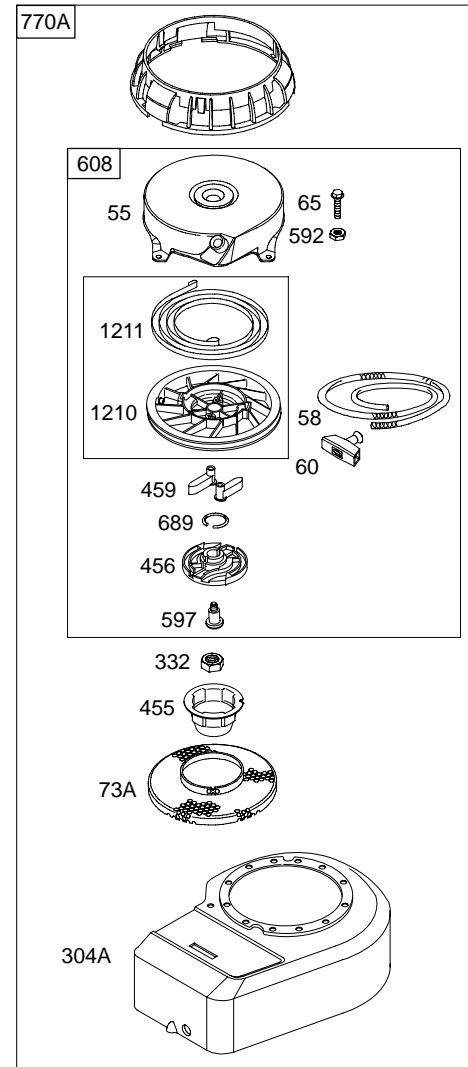
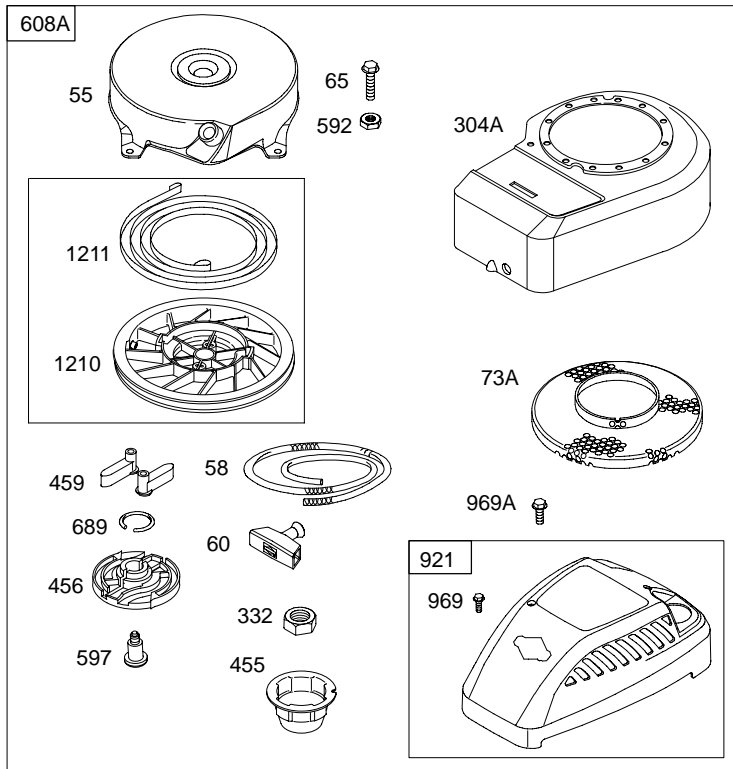
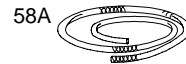
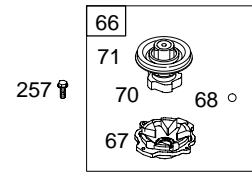
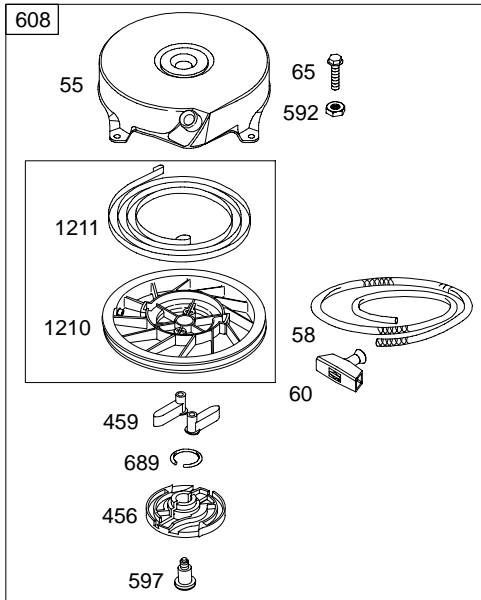
1019 LABEL KIT



74 ↑



# 10A900





**10A900**

REF. NO.	PART NO.	DESCRIPTION	REF. NO.	PART NO.	DESCRIPTION	REF. NO.	PART NO.	DESCRIPTION
1	699653	Cylinder Assembly	16	496838	Crankshaft		691472	Crankshaft
2	399269	Kit-Bushing/Seal (Magneto Side)			----- <b>Note</b> -----			Used on Type No(s). 0219, 0479, 1019, 1615, 1650, 1651, 2001, 2004, 2005, 2031, 2050, 2058, 2064, 2067, 2071, 2072, 2075, 2087, 2092, 2101, 2107, 2124, 2126, 2130, 2132, 2135, 2142, 2143, 2145, 2146, 2148, 2149, 2151, 2153, 2164, 2171, 2189, 2190, 2234, 2250, 2255, 2256, 2257, 2258, 2260, 2262, 2263, 2264, 2265, 2267, 2268, 2269, 2271, 2273, 2277, 2280, 2284, 2289, 2290, 2292, 2293, 2295, 2298, 2299.
3	★299819	Seal-Oil (Magneto Side)			<b>692989</b> Crankshaft Used on Type No(s). 1605, 1618, 2029, 2083, 2090, 2140, 2180, 2233, 2252, 2253, 2254, 2259, 2261, 2279, 2285, 2286, 2291.			
4	698691	Sump-Engine (Used After Code Date 02111200). ----- <b>Note</b> ----- <b>395384</b> Sump-Engine (Used Before Code Date 02111300).			<b>691406</b> Crankshaft Used on Type No(s). 0016, 0106, 0107, 0108, 0109, 0157, 0161, 0163, 0169, 0182, 0184, 0193, 0195, 0196, 0215, 0217, 0222, 0223, 0228, 0229, 0239, 0241, 0250, 0423, 0439, 0616.			
4A	395390	Sump-Engine (Auxiliary PTO) Used on Type No(s). 0050, 0051, 0159, 0167, 0169, 0173, 0186, 0193, 0197, 0202, 0206, 0211, 0219, 0230, 0430, 0650, 0651, 1019, 1650, 1651, 2059, 2067, 2073, 2130, 2169, 2254, 2258, 2259, 2261, 2285.			<b>496839</b> Crankshaft Used on Type No(s). 0018, 0156, 0183, 0190, 0233, 0240, 0483, 0505, 0506, 0618.			<b>693472</b> Crankshaft Used on Type No(s). 2266.
4B	699084	Sump-Engine Used on Type No(s). 2266.			<b>691471</b> Crankshaft Used on Type No(s). 1023, 1616, 2003, 2032, 2040, 2070, 2073, 2082, 2084, 2106, 2108, 2109, 2110, 2121, 2123, 2128, 2139, 2169, 2251, 2152, 2270, 2272, 2275, 2278, 2281, 2282, 2287, 2288, 2294, 2296, 2297.			<b>695413</b> Crankshaft Used on Type No(s). 1024.
5	790169	Head-Cylinder				20	★391483	Seal-Oil (PTO Side)
7	★Δ698717	Gasket-Cylinder Head				20A	★691952	Seal-Oil (PTO Side) (Auxiliary PTO)
8	699640	Breather Assembly				22	692551	Screw (Crankcase Cover/Sump) (1 1/4" Long)
9	★Δ695890	Gasket-Breather				22A	691108	Screw (Crankcase Cover/Sump) (3/4" Long)
10	691666	Screw (Breather Assembly)						
11	691245	Tube-Breather						
12	★692218	Gasket-Crankcase (.015" Thick) (Standard) ----- <b>Note</b> ----- <b>270895</b> Gasket- Crankcase (.005" Thick) <b>270896</b> Gasket- Crankcase (.009" Thick)						
13	691640	Screw (Cylinder Head)						
15	691680	Plug-Oil Drain						

★ Engine Gasket Set-Reference 358  
● Carburetor Overhaul Kit-Reference 121

◆ Carburetor Gasket Set-Reference 977  
Δ Valve Gasket Set-Reference 1095

# 10A900

REF. NO.	PART NO.	DESCRIPTION	REF. NO.	PART NO.	DESCRIPTION	REF. NO.	PART NO.	DESCRIPTION
23	692009	Flywheel ----- <b>Note</b> ----- <b>690843</b> Flywheel Used on Type No(s). 0156, 0157, 0161, 0190, 0198, 0208, 0215, 0233, 0240, 0505, 0506, 1023, 1024, 1605, 1606, 2032, 2056, 2057, 2082, 2090, 2108, 2109, 2115, 2133, 2140, 2233, 2257, 2263, 2265, 2266, 2270, 2281, 2282.			<b>498671</b> Piston Assembly (.030" Oversize) (Used After Code Date 96020500 and Before Code Date 04111500). <b>298907</b> Piston Assembly (.030" Oversize) (Used Before Code Date 96020600).	27	691588	Lock-Piston Pin
			26	790909	Ring Set (Standard) (Used After Code Date 04111400). ----- <b>Note</b> ----- <b>699658</b> Ring Set (Standard) (Used After Code Date 03080300 and Before Code Date 04111500). <b>498680</b> Ring Set (Standard) (Used After Code Date 96020500 and Before Code Date 03080400). <b>298982</b> Ring Set (Standard) (Used Before Code Date 96020600).  <b>498682</b> Ring Set (.020" Oversize) (Used After Code Date 96020500 and Before Code Date 04111500). <b>298984</b> Ring Set (.020" Oversize) (Used Before Code Date 96020600).  <b>498683</b> Ring Set (.030" Oversize) (Used After Code Date 96020500 and Before Code Date 04111500).	28	699659	Pin-Piston (Standard) (Used After Code Date 03093000). ----- <b>Note</b> ----- <b>298909</b> Pin-Piston (Standard) (Used Before Code Date 03100100). <b>298908</b> Pin-Piston (.005" Oversize) (Used Before Code Date 03100100).
24	222698	Key-Flywheel				29	699654	Rod-Connecting (Used After Code Date 03093000). ----- <b>Note</b> ----- <b>496792</b> Rod- Connecting (Used Before Code Date 03100100).
25	790908	Piston Assembly (Standard) (Used After Code Date 04111400). ----- <b>Note</b> ----- <b>699657</b> Piston Assembly (Standard) (Used After Code Date 03080300 and Before Code Date 04111500). <b>498668</b> Piston Assembly (Standard) (Used After Code Date 96020500 and Before Code Date 03080400). <b>298904</b> Piston Assembly (Standard) (Used Before Code Date 96020600).  <b>498670</b> Piston Assembly (.020" Oversize) (Used After Code Date 96020500 and Before Code Date 04111500). <b>298906</b> Piston Assembly (.020" Oversize) (Used Before Code Date 96020600).				32	691664	Screw (Connecting Rod)
						33	296676	Valve-Exhaust
						34	296677	Valve-Intake
						35	690520	Spring-Valve (Intake)
						36	690520	Spring-Valve (Exhaust)
						37	690482	Guard-Flywheel (Carburetor Side)
						37A	691209	Guard-Flywheel (Muffler Side)
						40	692194	Retainer-Valve
						43	698690	Slinger-Governor/Oil (Used After Code Date 02110400). ----- <b>Note</b> ----- <b>691983</b> Slinger- Governor/Oil (Used Before Code Date 02110500).
						45	691762	Tappet-Valve
						46	691998	Camshaft
						46A	690644	Camshaft (Counterclockwise) ----- <b>Note</b> ----- <b>690645</b> Camshaft (Clockwise) Used on Type No(s). 0051, 0186, 0651, 1651.

★ Engine Gasket Set-Reference 358  
● Carburetor Overhaul Kit-Reference 121

◆ Carburetor Gasket Set-Reference 977  
△ Valve Gasket Set-Reference 1095

**10A900**

REF. NO.	PART NO.	DESCRIPTION	REF. NO.	PART NO.	DESCRIPTION	REF. NO.	PART NO.	DESCRIPTION
50	699644	Manifold-Intake (Used After Code Date 03080300).	83	691240	Shaft-Auxiliary Drive Used on Type No(s). 0051, 0169, 0173, 0186, 0197, 0202, 0211, 0230, 0430, 0651, 1651, 2073, 2130, 2169.	209	690254	Spring-Governor (Light Blue) (Used After Code Date 96051900).
50A	693446	Manifold-Intake (Used Before Code Date 03080400).						----- <b>Note</b> ----- <b>692211</b> Spring-Governor (No Color) (Used Before Code Date 96052000). Used on Type No(s). 0015, 0016, 0018, 0050, 0051, 0106, 0107, 0108, 0109, 0158, 0161, 0168, 0169, 0175, 0181, 0182, 0183, 0184, 0187, 0193, 0194, 0195, 0196, 0197, 0202, 0203, 0205, 0211, 0213, 0215.
51	★699649	Gasket-Intake (Used After Code Date 03080300).			----- <b>Note</b> ----- <b>690506</b> Shaft-Auxiliary Drive Used on Type No(s). 0050, 0167, 0219, 0650, 1019, 1650, 2067.			
51A	270345	Gasket-Intake (Used Before Code Date 03080400).			<b>691249</b> Shaft-Auxiliary Drive Used on Type No(s). 0159, 0193, 0206, 2254, 2259, 2261, 2285.			
54	691111	Screw (Intake Manifold)						
55	692144	Housing-Rewind Starter						
58	697316	Rope-Starter (88 5/8" Long)						
58A	691921	Rope-Starter (70" Long)						
60	691915	Grip-Starter Rope	90	498811	Carburetor (Used After Code Date 96051900).			<b>690250</b> Spring-Governor (Light Green) (Used After Code Date 96051900). Used on Type No(s). 0198, 0208, 0233, 0248, 0506, 2072.
65	690837	Screw (Rewind Starter)			----- <b>Note</b> ----- <b>497619</b> Carburetor (Used Before Code Date 96052000).			
66	399671	Clutch-Starter						
67	394897	Housing-Clutch						
68	691604	Ball-Clutch						
70	691945	Ratchet-Clutch						
71	691359	Cover-Ratchet	97	691931	Shaft-Throttle			
73	699850	Screen-Rotating (Used After Code Date 03080700).	101	691623	Pin-Shaft			
73A	694018	Screen-Rotating (Used After Code Date 97052500 and Before Code Date 03080800).	106	691901	Seat-Inlet			<b>691862</b> Spring-Governor (Dark Green) (Used After Code Date 96051900). Used on Type No(s). 0156, 0157, 0240, 0505, 2233, 2257.
73B	691725	Screen-Rotating (Used Before Code Date 97052600).	130	691190	Valve-Throttle			
74	691627	Screw (Rotating Screen)	163	★271139	Gasket-Air Cleaner			
75	691736	Washer (Flywheel)	178	690398	Cover-Drive Gear			
78	692198	Screw (Flywheel Guard)	180	494406	Tank-Fuel			
81	691179	Lock-Muffler Screw	181	493982	Cap-Fuel Tank			
			188	692198	Screw (Control Bracket)			
			190	691640	Screw (Fuel Tank) (1 3/4" Long)			<b>690252</b> Spring-Governor (Pink) (Used After Code Date 96051900). Used on Type No(s). 0190.
			190A	692198	Screw (Fuel Tank) (1/2" Long)			
			200	691912	Blade-Governor			
			201	690347	Link-Air Vane			

★ Engine Gasket Set-Reference 358  
● Carburetor Overhaul Kit-Reference 121

◆ Carburetor Gasket Set-Reference 977  
△ Valve Gasket Set-Reference 1095

# 10A900

REF. NO.	PART NO.	DESCRIPTION	REF. NO.	PART NO.	DESCRIPTION	REF. NO.	PART NO.	DESCRIPTION
	<b>691297</b>	Spring–Governor (White) (Used After Code Date 96051900). Used on Type No(s). 0163, 0172, 0232, 0242, 2028, 2072, 2132, 2142, 2143, 2148, 2149, 2164, 2255, 2268, 2279, 2282, 2288, 2289, 2292.		<b>692531</b>	Spring–Governor (Red) (Used Before Code Date 96052000). Used on Type No(s). 0164, 0166, 0207, 0212.	<b>236</b>	<b>691826</b>	Link–Lockout (Used Before Code Date 97071400). Used on Type No(s). 0015, 0016, 0018, 0050, 0051, 0615, 0616, 0618, 0650, 0651, 2250.
	<b>262942</b>	Spring–Governor (Black) (Used Before Code Date 96052000). Used on Type No(s). 0156, 0157, 0187, 0190, 0198, 0208, 0505.		<b>691861</b>	Spring–Governor (Brown) (Used After Code Date 96051900). Used on Type No(s). 0161, 2032, 2082, 2109, 2263, 2270.	<b>236A</b>	<b>691867</b>	Link–Lockout (Used After Code Date 97071300). Used on Type No(s). 1615, 1616, 1618, 1650, 1651, 2050, 2052, 2152, 2250, 2278.
	<b>690251</b>	Spring–Governor (Yellow) (Used After Code Date 96051900). Used on Type No(s). 0164, 0166, 0207, 0212, 0235, 0244, 0245, 0246, 0479, 1615, 1616, 1618, 1650, 1651, 2001, 2003, 2005, 2029, 2031, 2040, 2064, 2070, 2073, 2078, 2083, 2084, 2092, 2107, 2121, 2123, 2124, 2126, 2130, 2135, 2139, 2145, 2146, 2152, 2171, 2180, 2189, 2190, 2234, 2250, 2252, 2253, 2254, 2258, 2259, 2261, 2264, 2267, 2269, 2271, 2273, 2277, 2278, 2280, 2281, 2284, 2285, 2286, 2287, 2290, 2291, 2293, 2298, 2299.		<b>262760</b>	Spring–Governor (Orange) (Used Before Code Date 96052000). Used on Type No(s). 0101, 0159, 0160, 0162, 0171, 0173, 0178, 0179, 0180, 0186, 0188, 0189, 0192, 0204, 0206.	<b>257</b>	<b>691660</b>	Screw (Starter Clutch)
				<b>262698</b>	Spring–Governor (Metallic Gold) Used on Type No(s). 1023, 1024, 1605, 2090, 2140, 2265, 2266.	<b>265</b>	<b>691024</b>	Clamp–Casing Used on Type No(s). 0207, 0242, 0244, 0245, 2073, 2084, 2107, 2132, 2142, 2143, 2145, 2153, 2256, 2267, 2279, 2292, 2299.
			<b>211</b>	<b>691859</b>	Spring–Governed Idle	<b>265A</b>	<b>690798</b>	Clamp–Casing
			<b>222</b>	<b>691445</b>	Bracket–Control	<b>267</b>	<b>691044</b>	Screw (Casing Clamp)
			<b>222A</b>	<b>691446</b>	Bracket–Control	<b>268</b>	<b>691072</b>	Casing–Control Wire (48" Long) (Cut To Required Length) ----- <b>Note</b> ----- <b>691025</b> Casing–Control Wire (72" Long) (Cut To Required Length)
						<b>269</b>	<b>691026</b>	Wire–Control (78" Long) (Cut To Required Length)
						<b>270</b>	<b>691027</b>	Nut (Control Wire Casing)
						<b>271</b>	<b>691028</b>	Lever–Control
						<b>287</b>	<b>691002</b>	Screw (Dipstick Tube)

★ Engine Gasket Set–Reference 358  
● Carburetor Overhaul Kit–Reference 121

◆ Carburetor Gasket Set–Reference 977  
△ Valve Gasket Set–Reference 1095

**10A900**

REF. NO.	PART NO.	DESCRIPTION	REF. NO.	PART NO.	DESCRIPTION	REF. NO.	PART NO.	DESCRIPTION
300	692307	Muffler (Super Lo Tone)	332	690662	Nut (Flywheel)	444	★691868	Gasket–Drive Gear Cover
300A	394569	Muffler (Round Lo Tone)	333	496914	Armature–Magneto	455	691236	Cup–Flywheel
300B	499493	Muffler (Catalyst) Used on Type No(s). 0219, 0236, 0250, 1019, 1020, 1021, 1022, 1025, 1026, 1028, 2280.	334	691061	Screw (Magneto Armature) (1" Long)	456	692299	Plate–Pawl Friction
			335	691107	Screw (Magneto Armature With Air Vane) (1 15/16" Long)	459	281505	Pawl–Ratchet
						523	692040	Dipstick
304	691484	Housing–Blower (Compliance Engines) (Used Before Code Date 99010400). ----- <b>Note</b> ----- 692536 Housing– Blower (Non Compliance Engines) (Used Before Code Date 99010400).	337	802592	Plug–Spark ----- <b>Note</b> ----- 492167 Plug–Spark Used on Type No(s). 0101, 0160, 0163, 0178, 0180, 0183, 0197, 0202, 0206, 0213, 0215, 0226, 0230, 0426, 2078 2115.	523A	691913	Dipstick Used on Type No(s). 2190.
			337A	697451	Plug–Spark Used on Type No(s). 1615, 1616, 1618, 1650, 1651, 2004, 2028, 2033, 2050, 2052, 2072, 2073, 2075, 2082, 2084, 2087, 2106, 2108, 2109, 2110, 2135, 2143, 2153, 2250, 2262, 2270, 2275, 2282, 2293, 2294, 2295, 2296, 2297, 2298, 2299.	524	★691876	Seal–Dipstick Tube
304A	694236	Housing–Blower (Compliance Engines) (Used After Code Date 99010300). ----- <b>Note</b> ----- 694051 Housing– Blower (Non Compliance Engines) (Used After Code Date 99010300).				525	691320	Tube–Dipstick
						529	692189	Grommet
						534	691417	Screw (Air Cleaner)
						535	272235	Filter–Air Cleaner Foam (Used Before Code Date 02090100).
						535A	698369	Filter–Air Cleaner Foam (Used After Code Date 02083000),
						536A	698472	Cleaner–Air
						578	398153	Wire Assembly Used on Type No(s). 0015, 0016, 0018, 0050, 0051, 0615, 0616, 0618, 0650, 0651, 1615, 1616, 1618, 1650, 1651, 2050, 2052, 2152, 2250, 2278, 2296.
305	692198	Screw (Blower Housing)				592	690800	Nut (Rewind Starter)
306	690400	Shield–Cylinder (Used Before Code Date 04071400).	356	692390	Wire–Stop	597	691696	Screw (Pawl Friction Plate)
307	690345	Screw (Cylinder Shield) (Used Before Code Date 04071400).	358	699933	Gasket Set–Engine	608	499706	Starter–Rewind (Used After Code Date 97071300). (88 5/8" Rope)
			363	19069	Puller–Flywheel	608A	499926	Starter–Rewind (Non Compliance Engines) (70" Rope) Used on Type No(s). 0156, 0157, 0190, 0208, 0233, 0240, 0505.
326	694046	Screw (Rewind Guard) (2 1/4" Long) (Used After Code Date 99010300). ----- <b>Note</b> ----- 691141 Screw (Rewind Guard) (1/2" Long) (Used Before Code Date 99010400).	365	790029	Screw (Carburetor)	612	496046	Tube–Pick Up
			374	691074	Washer (Camshaft)			
			377	692193	Key–Woodruff (Used Before Code Date 97100600). Used on Type No(s). 0164, 0232.			
			383	89838	Wrench–Spark Plug			
			390	691839	Spring–Choke Diaphragm			
			393	691837	Screen–Carburetor			
			394	495770	Diaphragm–Carburetor			
			426	691107	Screw (Governor Blade)			

★ Engine Gasket Set–Reference 358  
● Carburetor Overhaul Kit–Reference 121

◆ Carburetor Gasket Set–Reference 977  
△ Valve Gasket Set–Reference 1095

# 10A900

REF. NO.	PART NO.	DESCRIPTION	REF. NO.	PART NO.	DESCRIPTION	REF. NO.	PART NO.	DESCRIPTION
613	691413	Screw (Muffler) (Super Lo Tone)	721	690397	Stop-Shaft	832	699299	Guard-Muffler (Super Lo Tone)
613A	691114	Screw (Muffler) (Catalyst) Used on Type No(s). 0219, 0236, 0250, 1019, 1020, 1021, 1022, 1025, 1026, 1028, 2280.	724	697478	Retainer-Seal	832A	699670	Guard-Muffler (Round Lo Tone)
617	270344	Seal-O Ring (Intake Manifold)	729	690586	Clip-Wire	832B	699300	Guard-Muffler (Used After Code Date 03042700). Used on Type No(s). 0219, 0236, 0250, 1019, 1020, 1021, 1022, 1025, 1026, 1028, 2280.
621	692310	Switch-Stop	741	691805	Gear-Timing			
633	691321	Seal-Choke/Throttle Shaft (Throttle)	743	691772	Gear-Drive ----- Note ----- 690516 Gear-Drive Used on Type No(s). 0051, 0186, 0651, 1651.	745	691146	Screw (Brake) (7/8" Long)
635	66538	Boot-Spark Plug	745A	690859	Screw (Brake) (1/2" Long)	770A	499915	Kit-Rewind/Blower Housing (Compliance Engines) (Used Before Code Date 97100600).
643	691911	Retainer-Air Filter (Used Before Code Date 97100600).	770A	499915	Kit-Rewind/Blower Housing (Compliance Engines) (Used Before Code Date 97100600).	772	691111	Screw (Linkage Cover) (1 1/8" Long) ----- Note ----- 691183 Screw (Linkage Cover) (3/4" Long)
668	692889	Spacer	772	691111	Screw (Linkage Cover) (1 1/8" Long) ----- Note ----- 691183 Screw (Linkage Cover) (3/4" Long)	772A	690345	Screw (Linkage Cover) (1/2" Long)
670	691633	Spacer-Fuel Tank (Used After Code Date 97071300). ----- Note ----- 691631 Spacer-Fuel Tank (Used Before Code Date 97071400).	772A	690345	Screw (Linkage Cover) (1/2" Long)	815	690324	Screw (Band Brake Pivot)
676	393756	Deflector-Muffler (Side Out)	815	690324	Screw (Band Brake Pivot)	836	690664	Screw (Muffler Guard) (13/32" Long)
676A	397931	Deflector-Muffler (Direct Out) Used on Type No(s). 0159, 2059, 2254, 2259, 2261, 2285.				836A	790745	Screw (Muffler Guard) (1/2" Long)
676B	497682	Deflector-Muffler Used on Type No(s). 0219, 0236, 0250, 1019, 1020, 1021, 1022, 1025, 1026, 1028, 2280.				836B	691125	Screw (Muffler Guard) (5/8" Long) Used on Type No(s). 2004, 2033, 2052, 2106, 2108, 2109, 2135, 2143, 2153, 2164, 2250, 2262, 2270, 2275, 2293, 2294, 2295, 2298, 2299.
677	690661	Screw (Muffler Deflector)						
689	691855	Spring-Friction						
718	690959	Pin-Locating (Cylinder)						
718A	499047	Pin-Locating (Crankshaft)						

★ Engine Gasket Set-Reference 358  
● Carburetor Overhaul Kit-Reference 121

◆ Carburetor Gasket Set-Reference 977  
△ Valve Gasket Set-Reference 1095

**10A900**

REF. NO.	PART NO.	DESCRIPTION	REF. NO.	PART NO.	DESCRIPTION	REF. NO.	PART NO.	DESCRIPTION
842	★691870	Seal-O Ring (Dipstick Tube)	923	691487	Brake (Used After Code Date 97071300).	1036	790715	Label-Emissions (Used After Code Date 040603000).
847	691440	Dipstick/Tube Assembly	923A	394867	Brake (Used Before Code Date 97071400).			----- <b>Note</b> -----
851	493880	Terminal-Spark Plug	925	691349	Cover-Linkage (Used After Code Date 97071300).			<b>695108</b> Label-Emissions (Used After Code Date 99083000 and Before Code Date 04070100).
869	699641	Seat-Valve (Intake) (Used After Code Date 03080300).			Used on Type No(s). 2180, 2190.			<b>694428</b> Label-Emissions (Used After Code Date 98123100 and Before Code Date 99100100).
		----- <b>Note</b> -----	925A	691329	Cover-Linkage (Used Before Code Date 97071400).			<b>499337</b> Label-Emissions (Used After Code Date 97100500 and Before Code Date 99010100).
		<b>691701</b> Seat-Valve (Intake) (Used Before Code Date 03080400).			Used on Type No(s). 0171, 0173, 0186, 0197, 0471, 2071.			<b>499336</b> Label-Emissions (Used Before Code Date 97100600).
870	699642	Seat-Valve (Exhaust) (Used After Code Date 03080300).	930C	691932	Guard-Rewind	1058	275508	Operator's Manual
		----- <b>Note</b> -----	933	690428	Pivot-Band Brake	1095	498526	Gasket Set-Valve
		<b>691702</b> Seat-Valve (Exhaust) (Used Before Code Date 03080400).	942	493248	Bracket-Brake (Used Before Code Date 97071400).	1143	691141	Screw (Drive Gear Cover)
871	699643	Bushing-Valve Guide (Exhaust Valve) (Used After Code Date 03080300).	957	497929	Cap-Fuel Tank	1208	690859	Screw (Brake Bracket)
		----- <b>Note</b> -----	957A	692050	Cap-Fuel Tank (Used on Type No(s). 0171, 0226, 0426, 2071, 2126, 2180, 2189, 2252, 2259, 2285, 2286.	1210	499901	Pulley/Spring Assembly (Pulley)
		<b>231348</b> Bushing-Valve Guide (Exhaust Valve) (Used Before Code Date 03080400).	969	691698	Screw (Blower Housing Cover) (1/2" Long)	1211	499901	Pulley/Spring Assembly (Spring)
		<b>63709</b> Bushing-Valve Guide (Intake Valve)	969A	694046	Screw (Blower Housing Cover) (2 1/4" Long)	1330	270962	Repair Manual
883	★△691880	Gasket-Exhaust	969B	692523	Screw (Blower Housing Cover) (2/3" Long) Used on Type No(s). 2028, 2180, 2190.			
913	494409	Seat-Check Valve			<b>976</b> 694394 Primer-Carburetor			
921	694044	Cover-Blower Housing	1019	497624	Kit-Label			
921A	699796	Cover-Blower Housing Used on Type No(s). 2028, 2180, 2190.						
922	692135	Spring-Brake (Used After Code Date 97071300).						
922A	691809	Spring-Brake (Used Before Code Date 97071400).						

★ Engine Gasket Set-Reference 358  
● Carburetor Overhaul Kit-Reference 121

◆ Carburetor Gasket Set-Reference 977  
△ Valve Gasket Set-Reference 1095