

Illustrated Parts List

ELECTRIC MOTOR

Model Series

101120

TYPE NUMBERS

0111, 0112, 0120,
0121, 0122, 0123,
0124

TO FIND

THE CORRECT NUMBER OF THE PART YOU NEED:

FOLLOW THE INSTRUCTIONS BELOW

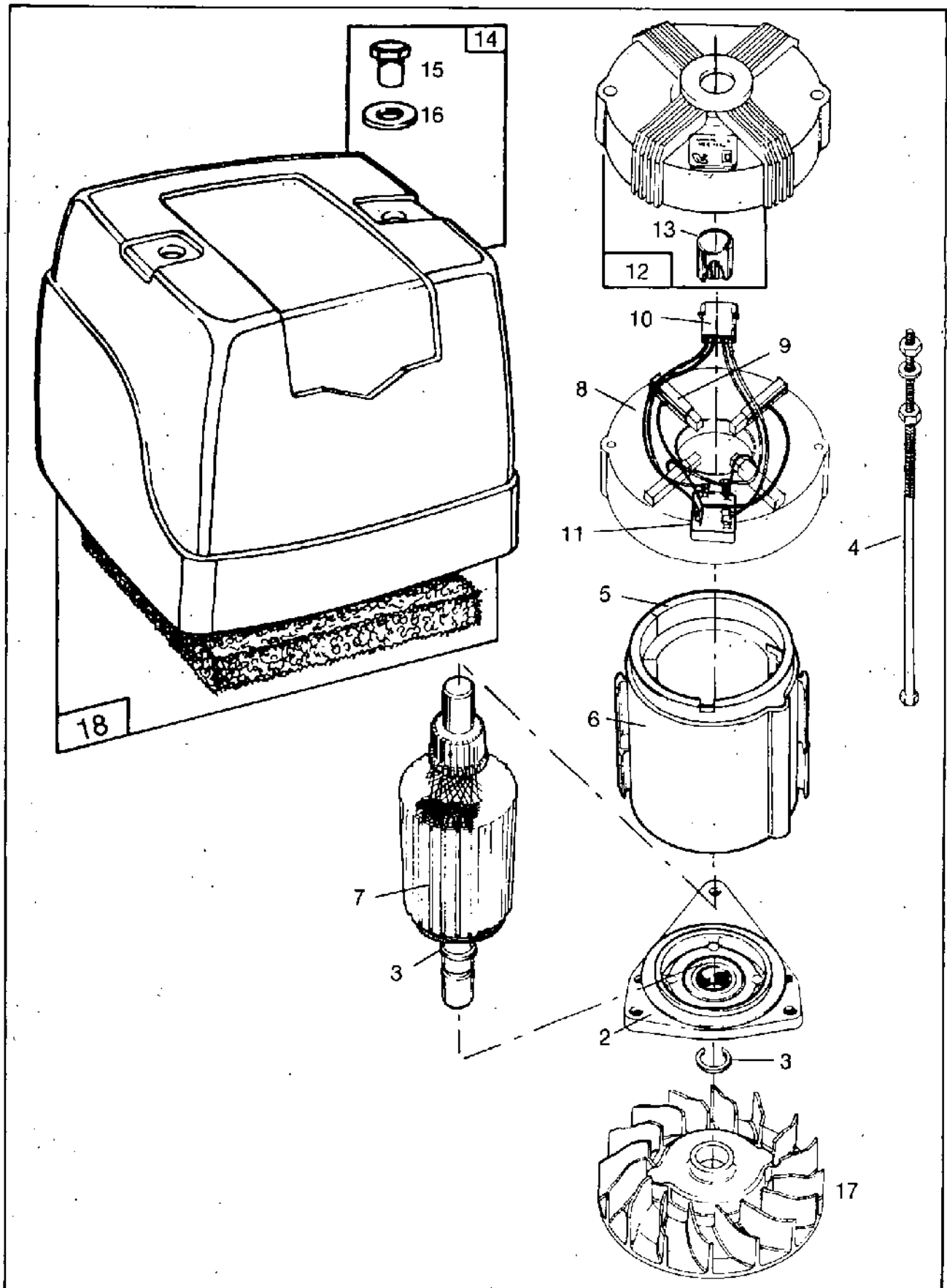
- A. Refer to Motor Model and Type Number that is on the end cap of motor.
- B. Refer to Illustrated Parts section and compare the old part with illustration. The number on the illustration is the Reference Number. Assemblies include all parts shown in frames. All parts shown in assembly frames on which individual reference numbers are given can be purchased separately.
- C. After the Reference Number has been identified, refer to the Numerical Parts List, where Reference and Master Part Number are listed.
- D. If the Motor Type Number does not appear after any part number listed under "Note", use the Master Part Number.

PRINTED IN U.S.A.

COPYRIGHT®



101120



Assemblies include all parts shown in frames.

<u>REF. NO.</u>	<u>PART NUMBER</u>	<u>DESCRIPTION</u>
2	394770	End Cap — Drive
3	395477	Ring Set — Retaining
4	395471	Bolt — Thru (Includes 2 Sets)
5	394750	Housing Assembly (Includes Magnets)
6	395468	Insulator Group — Housing (2 Pieces)
7	396546	Armature Assembly Used on Type Nos. 0111, 0120, 0121, 0123.
	396653	Armature Assembly Used on Type Nos. 0112, 0122, 0124.
8	280361	Box — Brush
9	395467	Brush Group
10	395478	Lead Group
11	394777	Rectifier
12	394773	End Cap — Brush
13	394769	Bearing — Needle
14	396267	Cover Group — Motor (Includes Hardware)
15	231298	Nut—Hex
16	93852	Washer
17	280445	Fan Used on Type Nos. 0111, 0120, 0121.
	280446	Fan Used on Type Nos. 0112, 0122, 0124.
18	271711	Filter — Air

