

## 9D900 to 9D999

# Illustrated Parts List

## Model Series

### 9D900 to 9D999

#### TYPE NUMBERS

1607,  
2001 through 2012,  
2015 through 2039,  
2032, 2042,  
2079 through 2087,  
2112 through 2137,  
2200, 2201, 2202,  
2207, 2209, 2210,  
2212, 2213, 2215,  
2218, 2219, 2220.

#### TO FIND

#### THE CORRECT NUMBER OF THE PART YOU NEED: FOLLOW THE INSTRUCTIONS BELOW

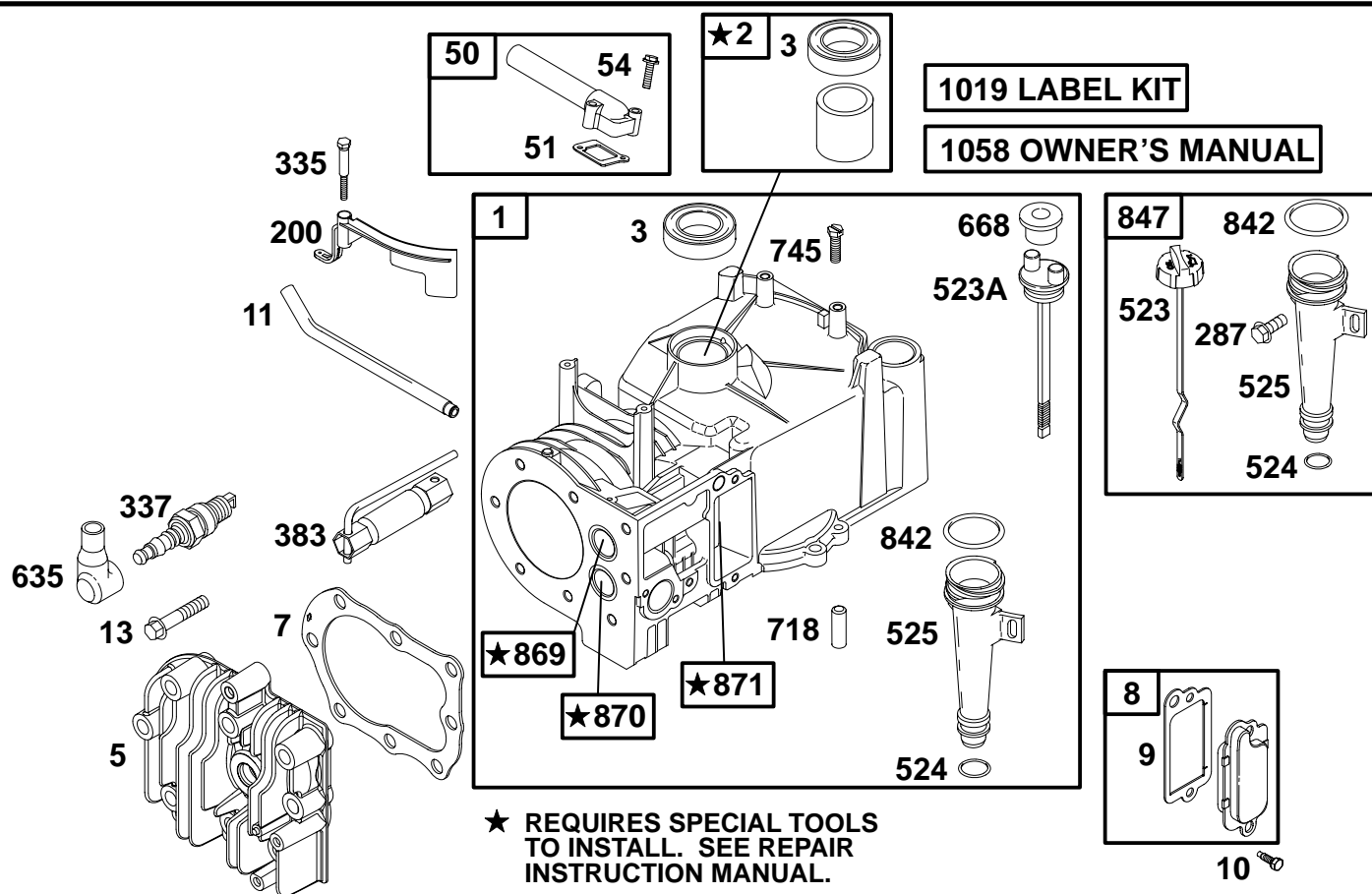
- A. Refer to Engine Model, Type and Code Number that is stamped on the blower housing of engine. Engine type numbers such as 0123 01 are listed only as 0123 in most instances. The two digits (01 or 02, etc.) to the right of the space may be required for more accurate parts identification in some instances. Select the Illustrated Parts List covering the correct Model Series and Type Number.
- B. Refer to the Illustrations and compare the original part with Illustration. The number next to the illustration is the Reference Number. Assemblies include all parts shown in frames. All parts shown in assembly frames having individual reference numbers can be purchased separately.
- C. After the Reference Number has been identified, refer to the Numerical text, where Reference and Primary Part Number are listed. **THE PRIMARY PART IS USED ON ALL TYPE NUMBERS EXCEPT THOSE TYPE NUMBERS UNDER "NOTE."**
- D. If a "Note" appears below the Primary Part Number, it means that this part differs from the Primary Part for certain types. If your Type number is listed under "Note," order the part referred to at the "Note."
- E. If your Engine Type Number does not appear after any part number listed under "Note," use the Primary Part Number.
- F. For Engine Type Numbers not covered by this book, check other Parts Lists having the same engine model or contact your source of supply.

PRINTED IN U.S.A.



COPYRIGHT by BRIGGS & STRATTON CORPORATION  
All rights reserved. No part of this material may be reproduced or transmitted, in any form or by any means, electronic or mechanical, including photocopying, recording or by any information storage and retrieval system, without permission in writing from Briggs & Stratton Corporation.

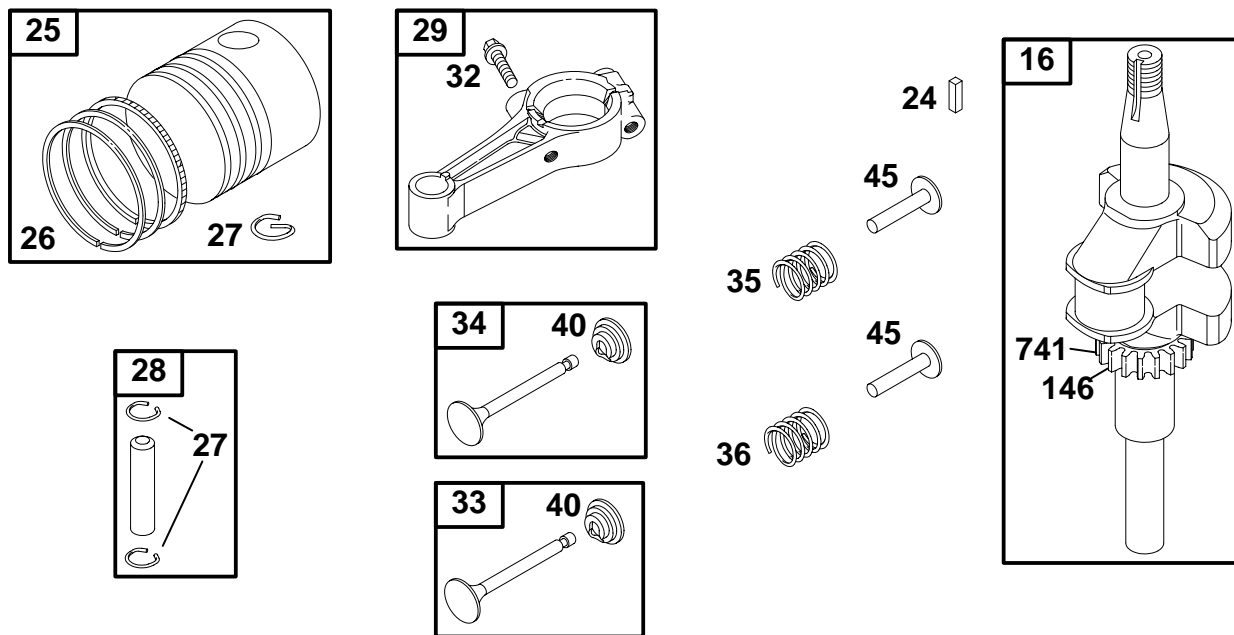
# 9D900 to 9D999



REF. NO.	PART NO.	DESCRIPTION	REF. NO.	PART NO.	DESCRIPTION	REF. NO.	PART NO.	DESCRIPTION
1	399164	Cylinder Assembly	50	298775	Manifold-Intake	842	270920	O-Ring Seal (Dipstick Cap to Tube)
2	399269	Kit-Bushing/Seal (Magneto Side)	51	★270345	Gasket-Intake	847	691440	Dipstick/Tube Assembly
3	★299819	Seal-Oil (Magneto Side)	54	691111	Screw (Intake Manifold)	869	211172	Seat-Valve (Intake)
5	690386	Head-Cylinder	200	281024	Blade-Governor	870	211291	Seat-Valve (Exhaust)
7	∅272694	Gasket-Cylinder Head (Used After Code Date 95021900).	287	94903	Screw (Dipstick Tube)	871	231348	Bushing-Valve Guide (Exhaust Valve)
<b>Note</b> ★272536 Gasket-Cylinder Head (Used Before Code Date 95022000).			335	691107	Screw (Armature/Air Vane)	<b>Note</b> 63709 Bushing-Valve Guide (Intake Valve)		
8	495785	Breather Assembly	337	802592	Sparkplug	1019	496757	Kit-Label
9	∅★272602	Gasket-Breather	383	89838	Wrench-Sparkplug	1058	274780	Owner's Manual (Emission)
10	691666	Screw (Breather Assembly)	523	497968	Dipstick (Fill and Level Check)	<b>Note</b> 272308 Owner's Manual (Non Emission)		
11	691245	Tube-Breather	523A	281081	Dipstick (Fill and Drain)			
13	94960	Screw (Cylinder Head)	524	★271485	Seal-Dipstick Tube			
			525	691320	Tube-Dipstick			
			635	66538	Boot-Sparkplug			
			668	692889	Spacer			
			718	230192	Pin-Locating			
			745	691146	Screw (Brake)			

★ Included in Engine Gasket Set-Ref No. 358.

∅ Included in Valve Gasket Set-Ref. No. 1095.



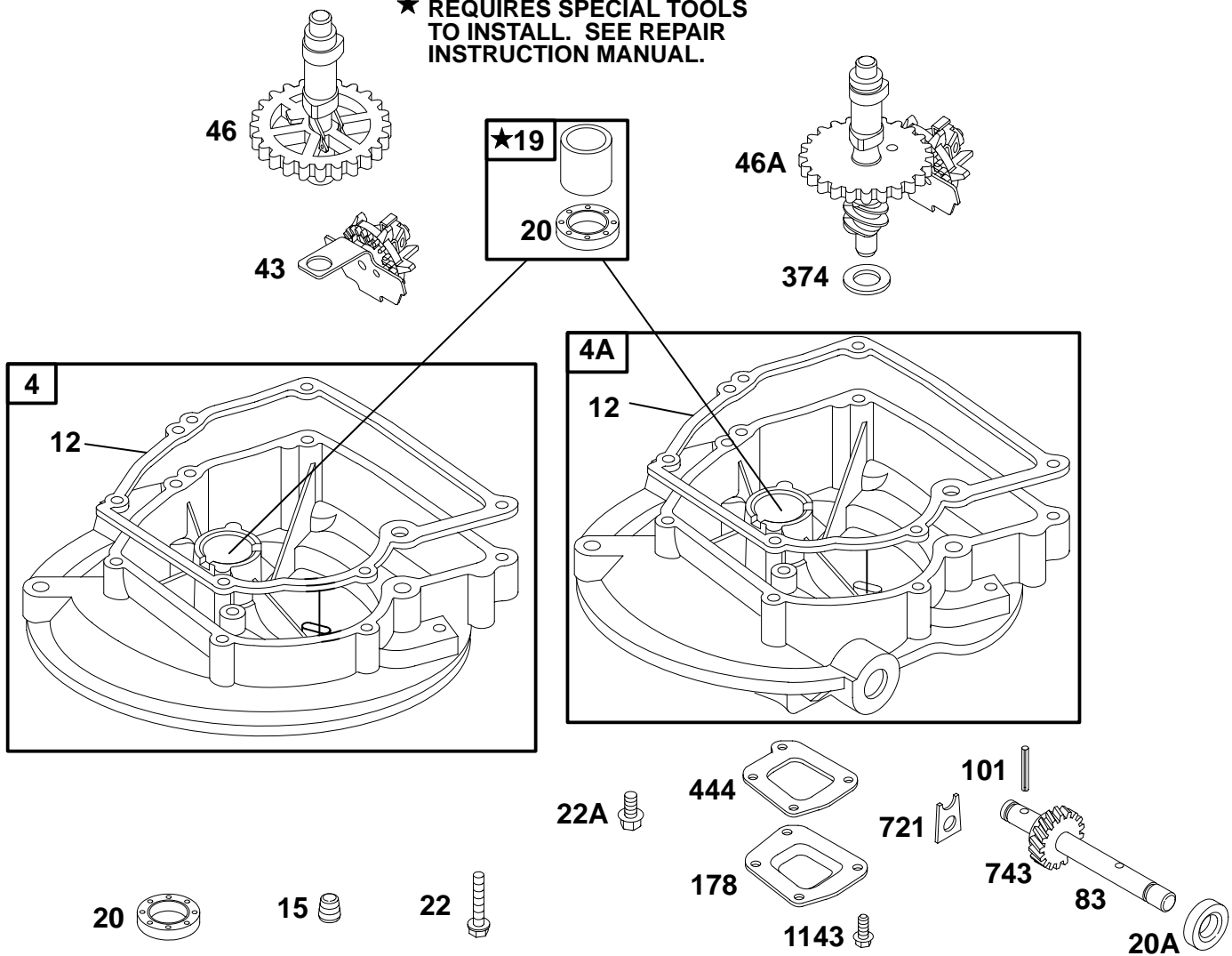
REF. NO.	PART NO.	DESCRIPTION	REF. NO.	PART NO.	DESCRIPTION	REF. NO.	PART NO.	DESCRIPTION
16	691475	Crankshaft <b>Note</b> <b>692990</b> Crankshaft Used on Type No(s). 2001, 2007, 2010, 2012, 2018, 2027, 2029, 2038, 2039, 2042, 2137, 2200, 2201, 2202, 2210. <b>692991</b> Crankshaft Used on Type No(s). 1607, 2005, 2024, 2079, 2084, 2209, 2212, 2213, 2218.	26	498680	Ring Set (Standard) <b>Note</b> <b>498681</b> Ring Set (.010 O.S.) <b>498682</b> Ring Set (.020 O.S.) <b>498683</b> Ring Set (.030 O.S.)	32	94699	Screw (Connecting Rod)
24	222698	Key-Flywheel	27	26026	Lock-Piston Pin	33	296676	Valve-Exhaust
25	498668	Piston Assembly (Standard) <b>Note</b> <b>498669</b> Piston Assembly (.010 O.S.) <b>498670</b> Piston Assembly (.020 O.S.) <b>498671</b> Piston Assembly (.030 O.S.)	28	298909	Pin-Piston (Standard) <b>Note</b> <b>298908</b> Pin-Piston (.005 O.S.)	34	296677	Valve-Intake
			29	294201	Rod-Connecting (Standard) <b>Note</b> <b>296079</b> Rod-Connect- ing (.020 Undersize)	35	260552	Spring-Valve (Intake)
						36	260552	Spring-Valve (Exhaust)
						40	93312	Retainer-Valve
						45	230173	Tappet-Valve
						146	499047	Key-Timing
						741	261533	Gear-Timing

★ Included in Engine Gasket Set-Ref No. 358.

⊘ Included in Valve Gasket Set-Ref. No. 1095.

# 9D900 to 9D999

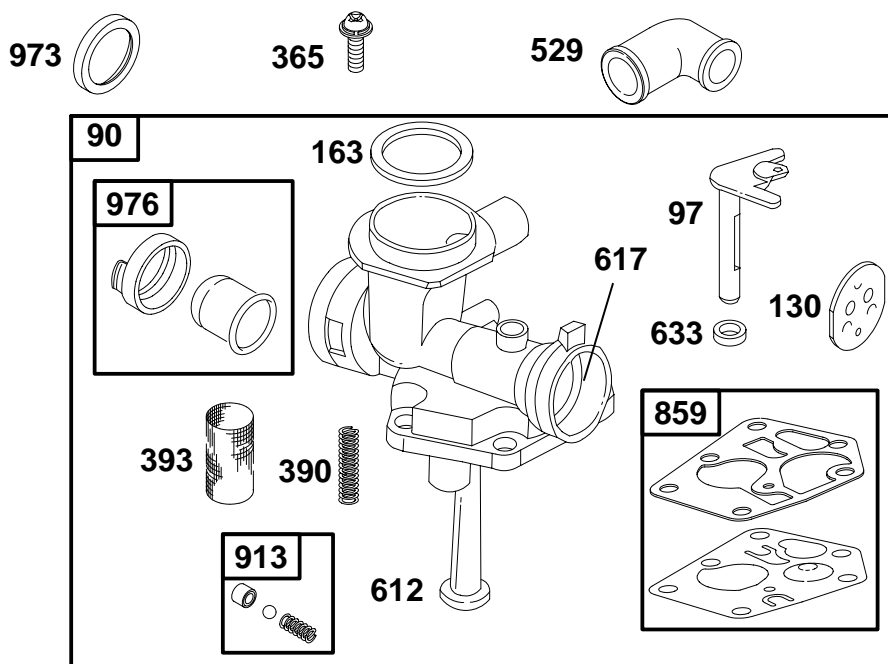
★ **REQUIRES SPECIAL TOOLS TO INSTALL. SEE REPAIR INSTRUCTION MANUAL.**



REF. NO.	PART NO.	DESCRIPTION	REF. NO.	PART NO.	DESCRIPTION	REF. NO.	PART NO.	DESCRIPTION
4	395384	Sump-Engine	22	94682	Screw (Engine Sump)	101	93474	Pin-Shaft
4A	395390	Sump-Engine	22A	691108	Screw (Engine Sump)	178	690398	Cover-Drive Gear
12	★270833	Gasket-Crankcase (.015 Thick, Standard)	43	491688	Slinger-Governor/Oil	374	691074	Washer (Camshaft)
		<b>Note</b>	46	493747	Camshaft	444	★270328	Gasket-Drive Gear Cover
		★270895 Gasket-Crankcase (.005 Thick)	46A	690644	Camshaft (Counterclockwise)	721	690397	Stop-Shaft
15	94880	Plug-Oil Drain			Used on Type No(s). 2010, 2016, 2202.	743	231279	Gear-Drive (Counterclockwise) Used on Type No(s). 2010, 2016, 2202.
19	293709	Kit-Bushing/Seal (PTO Side)	83	691240	Shaft-Auxiliary Drive	1143	94621	Screw (Drive Gear Cover)
20	★391483	Seal-Oil (PTO Side)			<b>Note</b>			
20A	391484	Seal-Oil (PTO Side)			690514 Shaft-Auxiliary Drive Used on Type No(s). 2202.			

★ Included in Engine Gasket Set-Ref No. 358.

Ø Included in Valve Gasket Set-Ref. No. 1095.

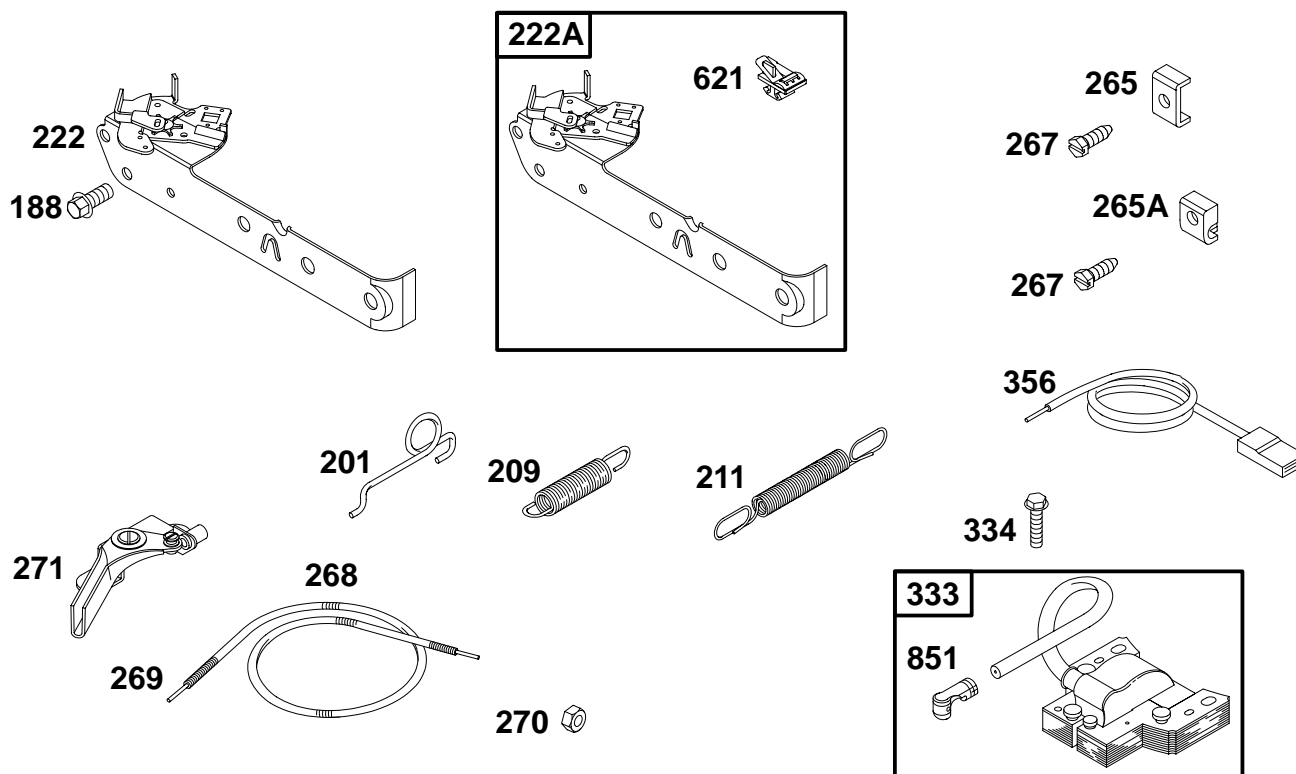


REF. NO.	PART NO.	DESCRIPTION	REF. NO.	PART NO.	DESCRIPTION	REF. NO.	PART NO.	DESCRIPTION
90	498809	Carburetor (Used After Code Date 96051900). ———— <b>Note</b> ———— 494775 Carburetor (Used Before Code Date 96052000).	390	262764	Spring-Choke Diaphragm	973	691347	Ring-Trim (Primer Bulb) (Used Before Code Date 99051300).
97	281437	Valve-Throttle Shaft	393	262734	Screen-Carburetor	976	694394	Primer-Carburetor (Used After Code Date 99051200). ———— <b>Note</b> ———— 494408 Primer-Carburetor (Used Before Code Date 99051300).
130	691190	Valve-Throttle	529	67838	Grommet			
163	★271139	Gasket-Air Cleaner	612	496046	Tube-Pickup			
365	94924	Screw (Carburetor)	617	270344	Seal-O-Ring (Intake Manifold)			
			633	691321	Seal-Dust (Throttle Shaft)			
			859	495770	Diaphragm-Carburetor			
			913	494409	Seat-Check Valve			

★ Included in Engine Gasket Set-Ref No. 358.

∅ Included in Valve Gasket Set-Ref. No. 1095.

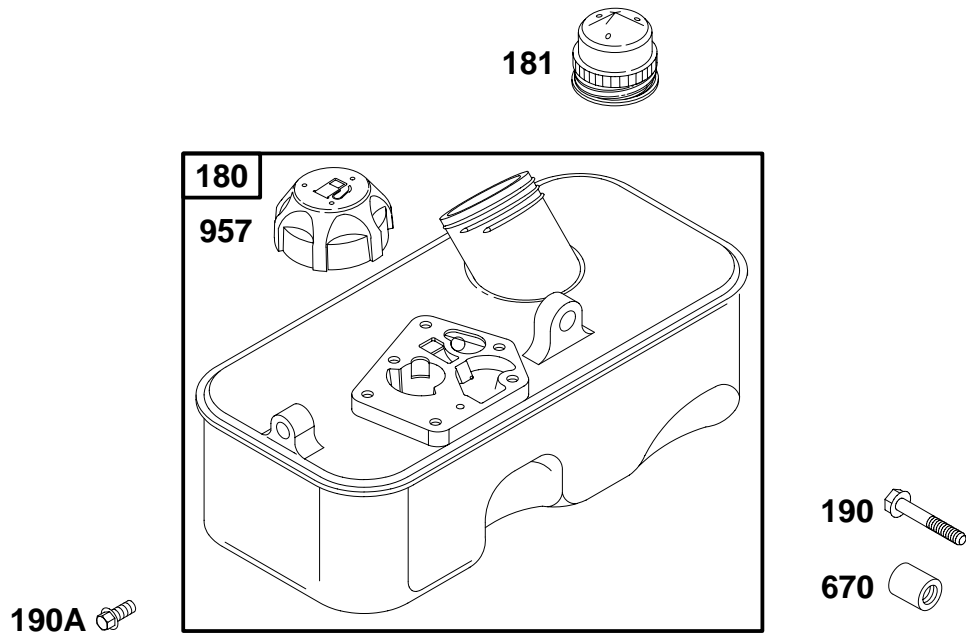
# 9D900 to 9D999



REF. NO.	PART NO.	DESCRIPTION	REF. NO.	PART NO.	DESCRIPTION	REF. NO.	PART NO.	DESCRIPTION
188	94786	Screw (Control Bracket)	211	263109	Spring-Governed Idle	267	691044	Screw (Casing Clamp)
201	262753	Link-Air Vane	222	691446	Bracket-Control (Used After Code Date 96040700).	268	691072	Casing-Control Wire
209	691297	Spring-Governor	222A	691445	Bracket-Control Used on Type No(s). 2016, 2019, 2021, 2025, 2038, 2112, 2128, 2137, 2200, 2207, 2209, 2210, 2220.	269	26099	Wire-Control
		<b>Note</b>				270	63426	Nut (Control Wire Casing)
		690251 Spring-Governor Used on Type No(s). 2006, 2010, 2019, 2021, 2022, 2024, 2025, 2029, 2039, 2084, 2112, 2113, 2128, 2137, 2200, 2201, 2202, 2212, 2213, 2218, 2219.				271	290568	Lever-Control
		263116 Spring-Governor Used on Type No(s). 2016, 2025, 2112, 2207, 2220.	265	22372	Clamp-Casing	333	496914	Armature-Magneto
		690250 Spring-Governor Used on Type No(s). 2209, 2210.	265A	213146	Clamp-Casing	334	94731	Screw (Magneto Armature)
						356	692390	Wire-Stop
						621	396847	Switch-Stop
						851	493880	Terminal-Sparkplug

★ Included in Engine Gasket Set-Ref No. 358.

⊘ Included in Valve Gasket Set-Ref. No. 1095.

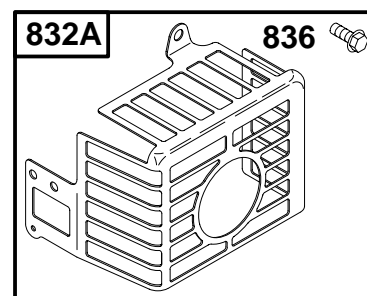
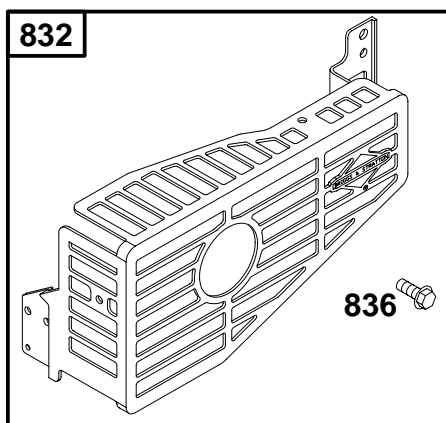
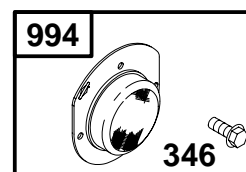
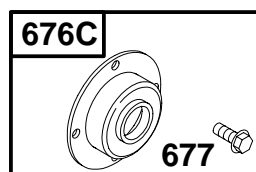
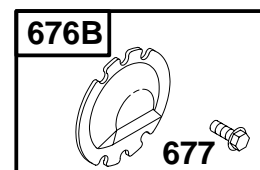
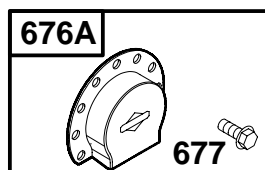
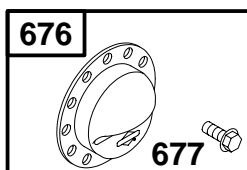
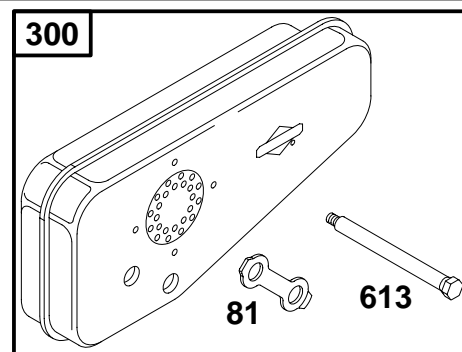
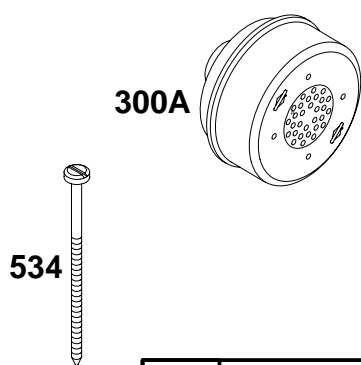
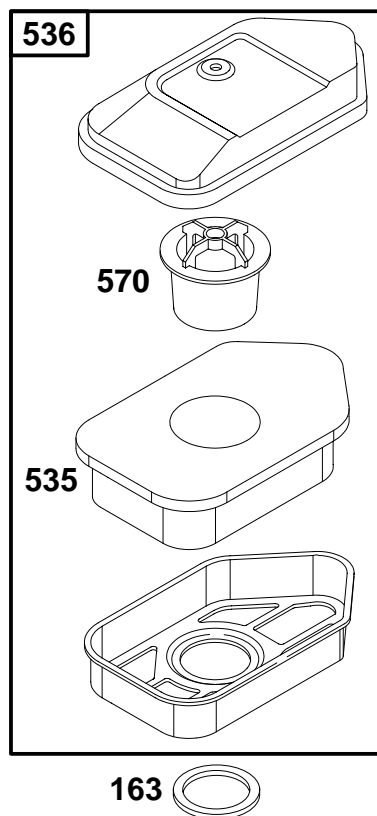


REF. NO.	PART NO.	DESCRIPTION	REF. NO.	PART NO.	DESCRIPTION	REF. NO.	PART NO.	DESCRIPTION
180	494406	Tank-Fuel	190	94960	Screw (Fuel Tank)	670	94047	Spacer-Fuel Tank
181	493982	Cap-Fuel Tank (Metal)	190A	94786	Screw (Fuel Tank)	957	497929	Cap-Fuel Tank (Plastic)

★ Included in Engine Gasket Set-Ref No. 358.

∅ Included in Valve Gasket Set-Ref. No. 1095.

# 9D900 to 9D999

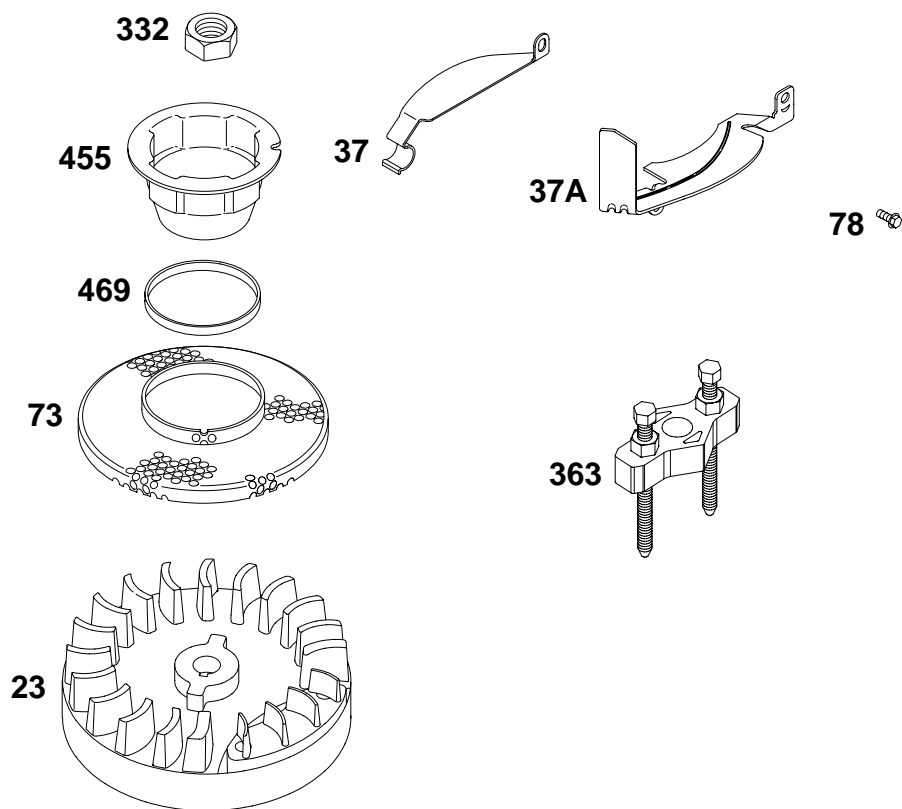


REF. NO.	PART NO.	DESCRIPTION	REF. NO.	PART NO.	DESCRIPTION	REF. NO.	PART NO.	DESCRIPTION
81	691179	Lock-Muffler Screw	536	493492	Cleaner-Air	677	94896	Screw (Muffler Deflector)
163	★271139	Gasket-Air Cleaner	570	280972	Support-Foam Element	832	494896	Guard-Muffler
300	394644	Muffler	613	93935	Screw (Exhaust Muffler)	832A	691443	Guard-Muffler
300A	394569	Muffler	676	396548	Deflector-Muffler	836	94874	Screw (Muffler Guard)
346	94896	Screw (Spark Arrestor)	676A	393760	Deflector-Muffler	994	398067	Arrestor-Spark
534	93865	Screw (Air Cleaner)	676B	393756	Deflector-Muffler			
535	272235	Filter-Air Cleaner Foam	676C	397931	Deflector-Muffler			

★ Included in Engine Gasket Set-Ref No. 358.

Ø Included in Valve Gasket Set-Ref. No. 1095.



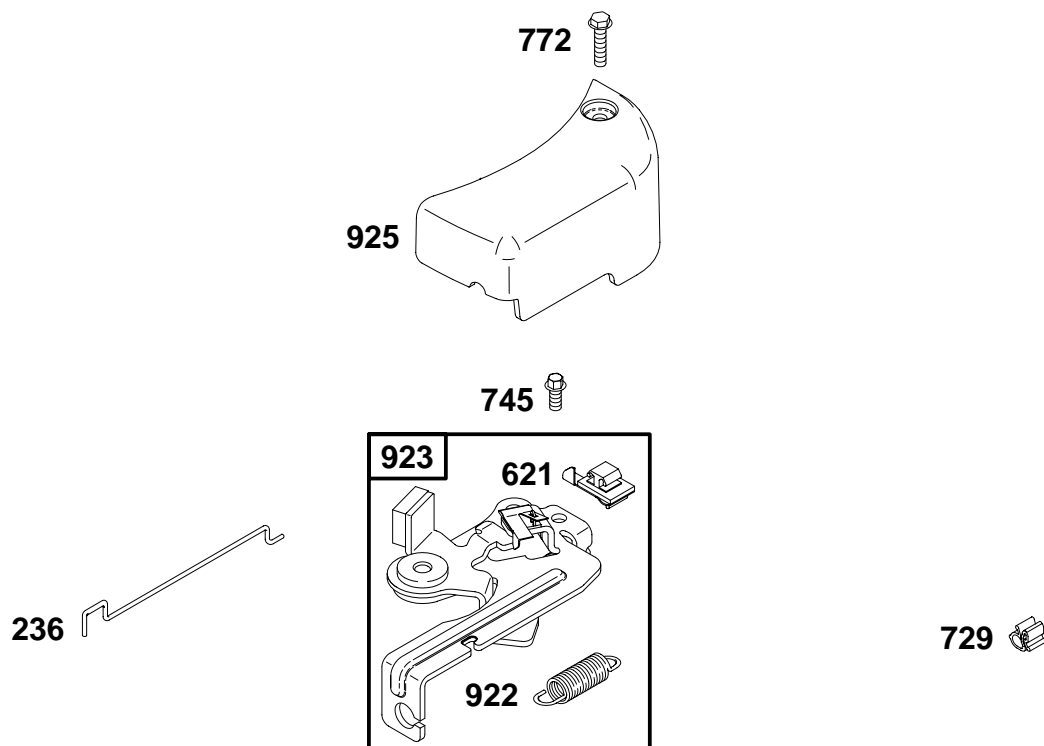


REF. NO.	PART NO.	DESCRIPTION	REF. NO.	PART NO.	DESCRIPTION	REF. NO.	PART NO.	DESCRIPTION
23	495046	Flywheel <b>Note</b> 690843 Flywheel Used on Type No(s). 2016, 2021, 2025, 2112, 2128, 2200, 2207, 2209, 2220.	37	690482	Guard-Flywheel (Carburetor Side)	332	94877	Nut (Flywheel)
			37A	691209	Guard-Flywheel (Muffler Side)	363	19069	Puller-Flywheel
			73	691235	Screen-Rotating	455	691236	Cup-Flywheel
			78	94786	Screw (Flywheel Guard)	469	694420	Ring-Rotating Trim

★ Included in Engine Gasket Set-Ref No. 358.

⊘ Included in Valve Gasket Set-Ref. No. 1095.

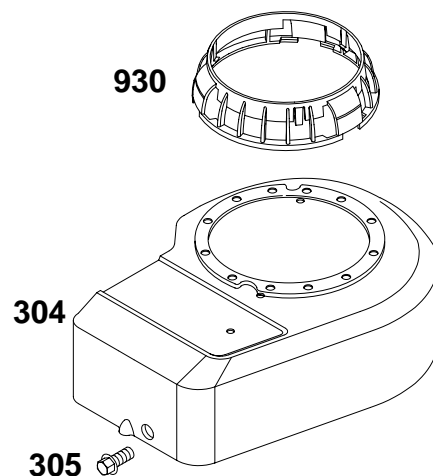
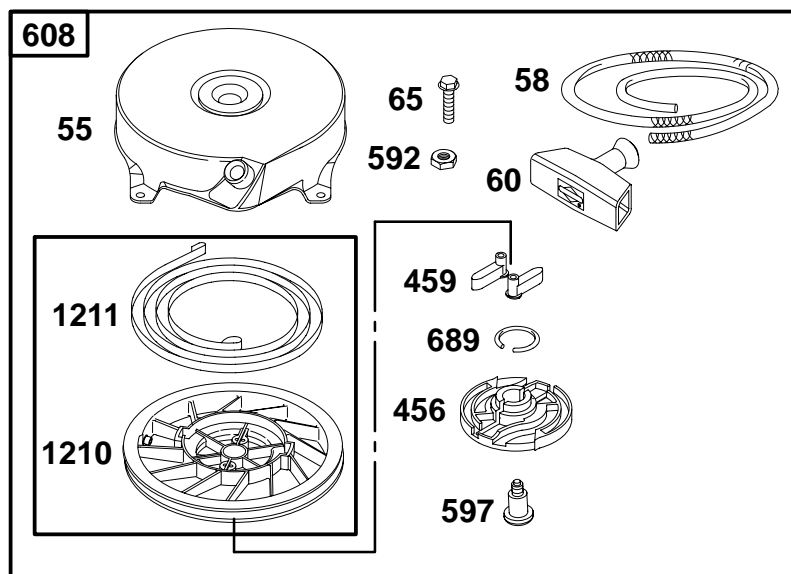
# 9D900 to 9D999



REF. NO.	PART NO.	DESCRIPTION	REF. NO.	PART NO.	DESCRIPTION	REF. NO.	PART NO.	DESCRIPTION
236	263247	Link-Lock Out	745	691146	Screw (Brake)	922	692135	Spring-Brake
621	396847	Switch-Stop	772	691111	Screw (Linkage Cover)	923	691487	Brake
729	690586	Clip-Wire				925	691349	Cover-Linkage

★ Included in Engine Gasket Set-Ref No. 358.

∅ Included in Valve Gasket Set-Ref. No. 1095.



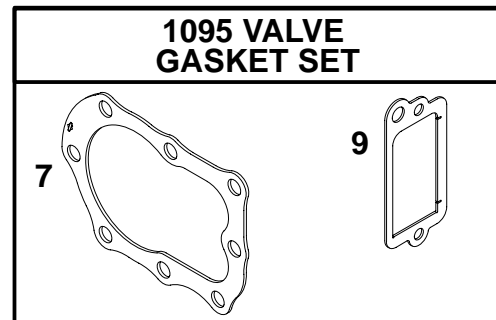
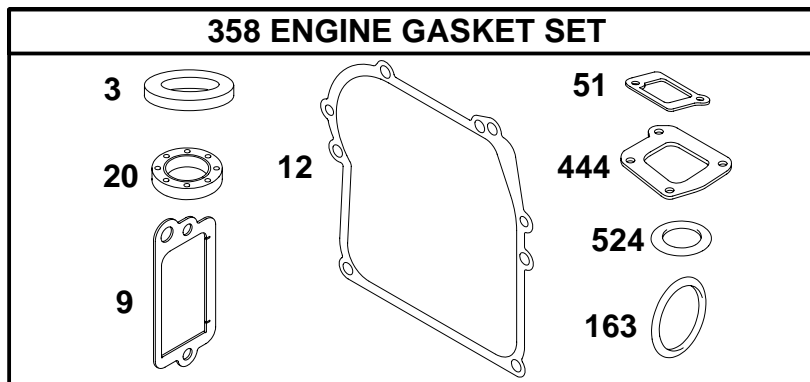
**1036 EMISSIONS LABEL**

REF. NO.	PART NO.	DESCRIPTION	REF. NO.	PART NO.	DESCRIPTION	REF. NO.	PART NO.	DESCRIPTION
55	692144	Housing—Rewind Starter	305	94786	Screw (Blower Housing)	1036	695108	Label—Emissions (Used After Code Date 99093000).
58	281464	Rope—Starter	456	281503	Plate—Pawl Friction			<b>Note</b>
60	281101	Grip—Starter Rope	459	281505	Pawl—Ratchet			694409 Label—Emissions
65	94904	Screw (Rewind Starter)	592	94908	Nut (Rewind Starter)			(Used Before Code Date 99100100 and After Code Date 98123100).
304	691484	Housing—Blower (Used on Compliance Engines)	597	94943	Screw (Pawl Friction Plate)			499332 Label—Emissions (Used Before Code Date 99010100).
		<b>Note</b>	608	499706	Starter—Rewind	1210	499901	Pulley/Spring Assembly (Pulley)
		692536 Housing—Blower (Used on Non Compliance Engines)	689	263073	Spring—Friction	1211	499901	Pulley/Spring Assembly (Spring)
			930	691348	Guard—Rewind			

★ Included in Engine Gasket Set—Ref No. 358.

∅ Included in Valve Gasket Set—Ref. No. 1095.

# 9D900 to 9D999



REF. NO.	PART NO.	DESCRIPTION	REF. NO.	PART NO.	DESCRIPTION	REF. NO.	PART NO.	DESCRIPTION	
3	★299819	Seal-Oil (Magneto Side)	12	★270833	Gasket-Crankcase (.015 Thick, Standard)	20	★391483	Seal-Oil (PTO Side)	
7	Ø272694	Gasket-Cylinder Head			<b>Note</b>	51	★270345	Gasket-Intake	
9	Ø★272602	Gasket-Breather			★270895	Gasket-Crankcase (.005 Thick)	163	★271139	Gasket-Air Cleaner
					★270896	Gasket-Crankcase (.009 Thick)	358	298989	Set-Engine Gasket
							444	★270328	Gasket-Drive Gear Cover
							524	★271485	Seal-O-Ring
							1095	498526	Set-Valve Gasket

★ Included in Engine Gasket Set-Ref No. 358.

Ø Included in Valve Gasket Set-Ref. No. 1095.