

Illustrated Parts List

Model Series

9C900 to 9C999

TYPE NUMBERS
0304, 0305, 0306,
0307, 0330, 0331,
0332, 0333, 2033,
2104, 2131, 2135.

TO FIND THE CORRECT NUMBER OF THE PART YOU NEED: FOLLOW THE INSTRUCTIONS BELOW

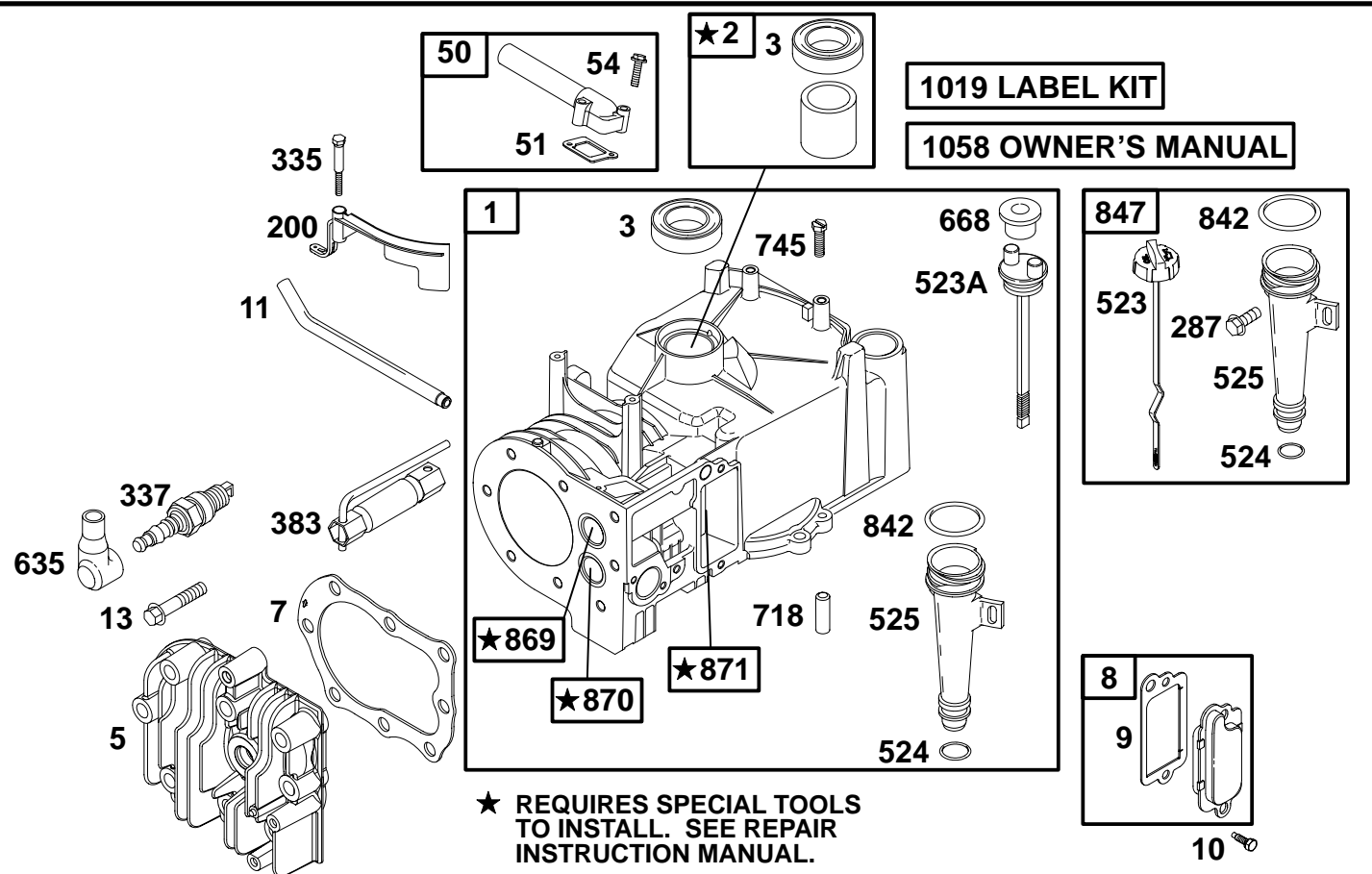
- A. Refer to Engine Model, Type and Code Number that is stamped on the blower housing of engine. Engine type numbers such as 0123 01 are listed only as 0123 in most instances. The two digits (01 or 02, etc.) to the right of the space may be required for more accurate parts identification in some instances. Select the Illustrated Parts List covering the correct Model Series and Type Number.
- B. Refer to the Illustrations and compare the original part with Illustration. The number next to the illustration is the Reference Number. Assemblies include all parts shown in frames. All parts shown in assembly frames having individual reference numbers can be purchased separately.
- C. After the Reference Number has been identified, refer to the Numerical text, where Reference and Primary Part Number are listed. **THE PRIMARY PART IS USED ON ALL TYPE NUMBERS EXCEPT THOSE TYPE NUMBERS UNDER "NOTE."**
- D. If a "Note" appears below the Primary Part Number, it means that this part differs from the Primary Part for certain types. If your Type number is listed under "Note," order the part referred to at the "Note."
- E. If your Engine Type Number does not appear after any part number listed under "Note," use the Primary Part Number.
- F. For Engine Type Numbers not covered by this book, check other Parts Lists having the same engine model or contact your source of supply.



PRINTED IN U.S.A.

COPYRIGHT by BRIGGS & STRATTON CORPORATION
All rights reserved. No part of this material may be reproduced or transmitted, in any form or by any means, electronic or mechanical, including photocopying, recording or by any information storage and retrieval system, without permission in writing from Briggs & Stratton Corporation.

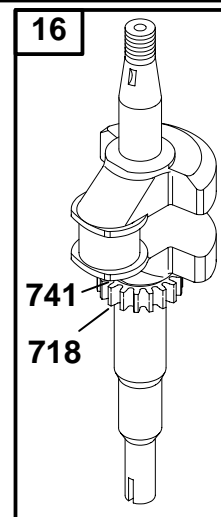
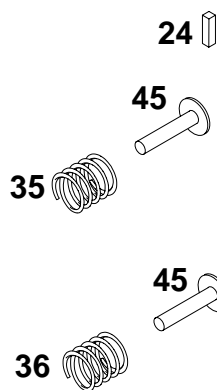
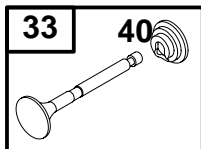
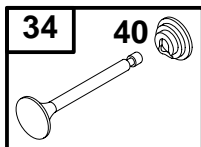
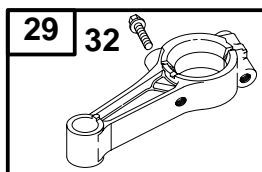
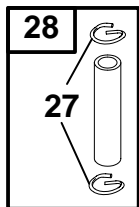
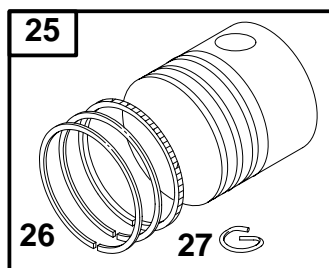
9C900 to 9C999



| REF. NO. | PART NO. | DESCRIPTION | REF. NO. | PART NO. | DESCRIPTION | REF. NO. | PART NO. | DESCRIPTION |
|-------------------------------------------------------------------------------|----------|-------------------------------------------------------|----------|----------|---------------------------------|---------------------------------------------------------|----------|-------------------------------------|
| 1 | 399164 | Cylinder Assembly | 50 | 298775 | Manifold-Intake | 842 | 270920 | O-Ring Seal (Dipstick Cap to Tube) |
| 2 | 399269 | Kit-Bushing/Seal (Magneto Side) | 51 | ★270345 | Gasket-Intake | 847 | 691440 | Dipstick/Tube Assembly |
| 3 | ★299819 | Seal-Oil (Magneto Side) | 54 | 691111 | Screw (Intake Manifold) | 869 | 211172 | Seat-Valve (Intake) |
| 5 | 690386 | Head-Cylinder | 200 | 281024 | Blade-Governor | 870 | 211291 | Seat-Valve (Exhaust) |
| 7 | ∅272694 | Gasket-Cylinder Head (Used After Code Date 95021900). | 287 | 94903 | Screw (Dipstick Tube) | 871 | 231348 | Bushing-Valve Guide (Exhaust Valve) |
| Note ★272536 Gasket-Cylinder Head (Used Before Code Date 95022000). | | | 335 | 691107 | Screw (Armature/Air Vane) | Note 63709 Bushing-Valve Guide (Intake Valve) | | |
| 8 | 495785 | Breather Assembly | 337 | 802592 | Sparkplug | 1019 | 496757 | Kit-Label |
| 9 | ∅★272602 | Gasket-Breather | 383 | 89838 | Wrench-Sparkplug | 1058 | 274780 | Owner's Manual (Emission) |
| 10 | 691666 | Screw (Breather Assembly) | 523 | 497968 | Dipstick (Fill and Level Check) | Note 272308 Owner's Manual (Non Emission) | | |
| 11 | 691245 | Tube-Breather | 523A | 281081 | Dipstick (Fill and Drain) | | | |
| 13 | 94960 | Screw (Cylinder Head) | 524 | ★271485 | Seal-Dipstick Tube | | | |
| | | | 525 | 691320 | Tube-Dipstick | | | |
| | | | 635 | 66538 | Boot-Sparkplug | | | |
| | | | 668 | 692889 | Spacer | | | |
| | | | 718 | 230192 | Pin-Locating | | | |
| | | | 745 | 691146 | Screw (Brake) | | | |

★ Included in Engine Gasket Set-See Ref. No. 358.

∅ Included in Valve Gasket Set-See Ref. No. 1095.



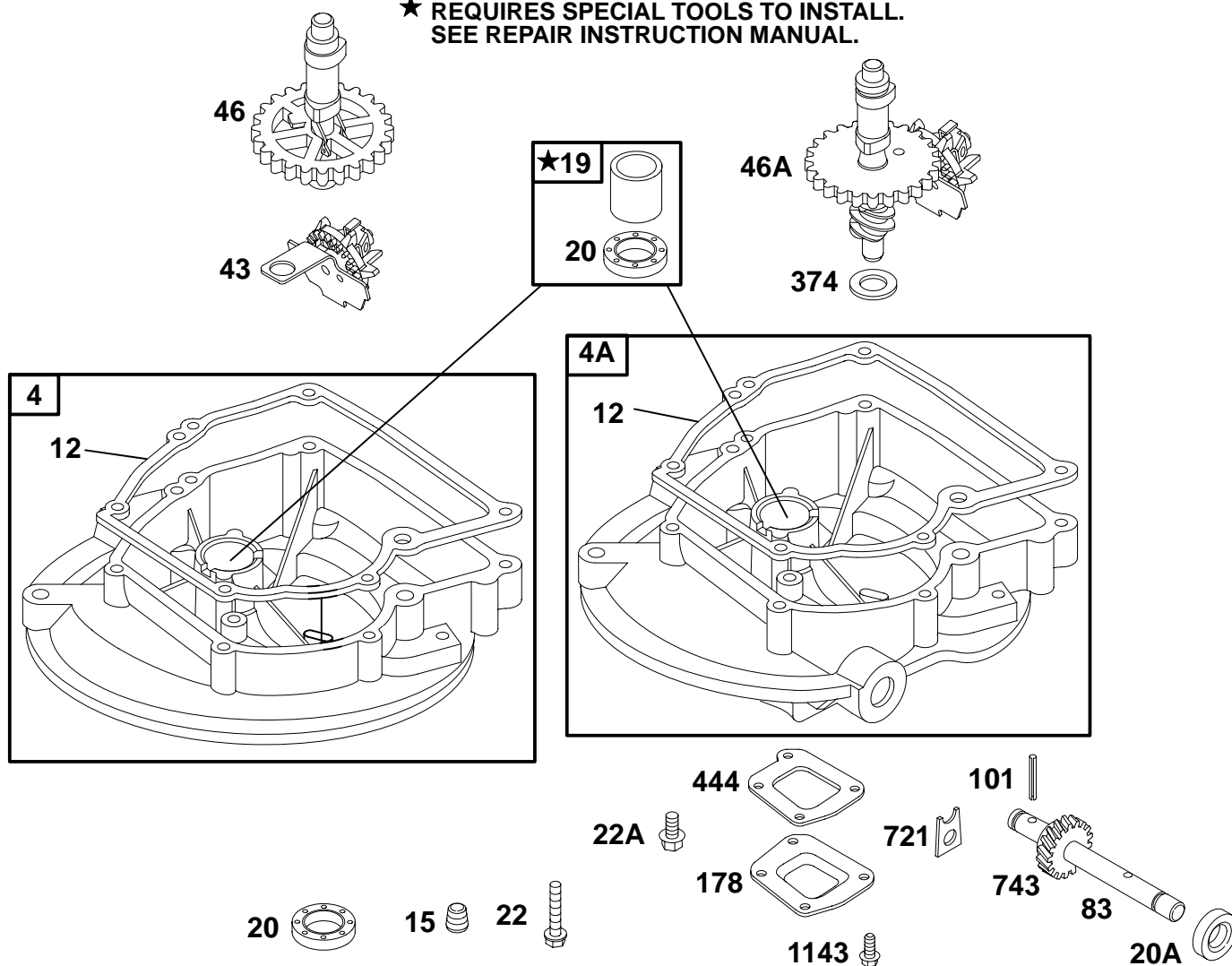
| REF. NO. | PART NO. | DESCRIPTION | REF. NO. | PART NO. | DESCRIPTION | REF. NO. | PART NO. | DESCRIPTION |
|----------|----------|------------------------------------------------------------------------------------------------------------------------------------------------------------------------------------------------------------|----------|----------|--------------------------------------------------------------------------------------|----------|----------|------------------------------------------------------------------------|
| 16 | 492748 | Crankshaft Note 492086 Crankshaft Used on Type No(s). 0304, 0307. 692990 Crankshaft Used on Type No(s). 2033, 2131, 2135. 691475 Crankshaft Used on Type No(s). 2104. | | | 298906 Piston Assembly (.020 O.S.) (Used Before Code Date 96020600). | | | 298984 Ring Set (.020 O.S.) (Used Before Code Date 96020600). |
| 24 | 222698 | Key-Flywheel | | | 498671 Piston Assembly (.030 O.S.) (Used After Code Date 96020500). | | | 498683 Ring Set (.030 O.S.) (Used After Code Date 96020500). |
| 25 | 498668 | Piston Assembly (Used After Code Date 96020500). | | | 298907 Piston Assembly (.030 O.S.) (Used Before Code Date 96020600). | 27 | 26026 | Lock-Piston Pin |
| | | Note 298904 Piston Assembly (Standard) (Used Before Code Date 96020600). | 26 | 498680 | Ring Set (Standard) (Used After Code Date 96020500). | 28 | 298909 | Pin-Piston (Standard) |
| | | 498669 Piston Assembly (.010 O.S.) (Used After Code Date 96020500). | | | Note 298982 Ring Set (Standard) (Used Before Code Date 96020600). | | | Note 298908 Pin-Piston (.005 O.S.) |
| | | 298905 Piston Assembly (.010 O.S.) (Used Before Code Date 96020600). | | | 498681 Ring Set (.010 O.S.) (Used After Code Date 96020500). | 29 | 294201 | Rod-Connecting (Standard) |
| | | 498670 Piston Assembly (.020 O.S.) (Used After Code Date 96020500). | | | 298983 Ring Set (.010 O.S.) (Used Before Code Date 96020600). | | | Note 296079 Rod- Connecting (.020 Undersize) |
| | | | | | 498682 Ring Set (.020 O.S.) (Used After Code Date 96020500). | 32 | 94699 | Screw (Connecting Rod) |
| | | | | | | 33 | 296676 | Valve-Exhaust |
| | | | | | | 34 | 296677 | Valve-Intake |
| | | | | | | 35 | 260552 | Spring-Valve (Intake) |
| | | | | | | 36 | 260552 | Spring-Valve (Exhaust) |
| | | | | | | 40 | 93312 | Retainer-Valve |
| | | | | | | 45 | 230173 | Tappet-Valve |
| | | | | | | 718 | 499047 | Pin-Locating |
| | | | | | | 741 | 261533 | Gear-Timing |

* Included in Engine Gasket Set-See Ref. No. 358.

Ø Included in Valve Gasket Set-See Ref. No. 1095.

9C900 to 9C999

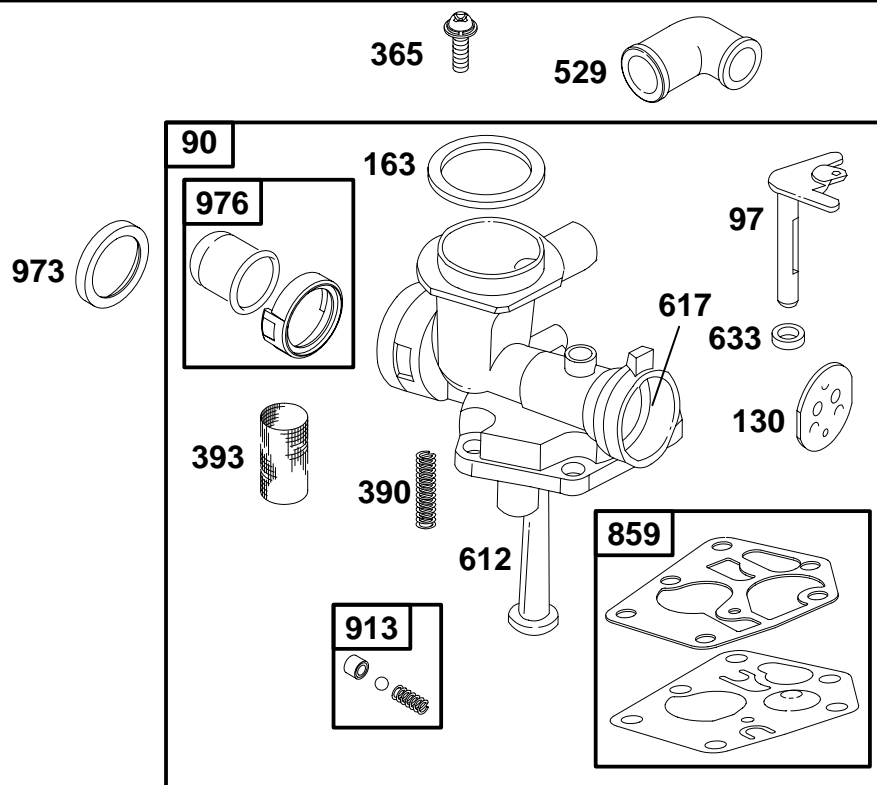
★ **REQUIRES SPECIAL TOOLS TO INSTALL.
SEE REPAIR INSTRUCTION MANUAL.**



| REF. NO. | PART NO. | DESCRIPTION | REF. NO. | PART NO. | DESCRIPTION | REF. NO. | PART NO. | DESCRIPTION |
|----------|----------|------------------------------------------------------------------------------------------------------------------------------------------|----------|----------|--------------------------------------------------------|----------|----------|----------------------------------------------------------|
| 4 | 395384 | Sump-Engine | 20 | ★391483 | Seal-Oil (PTO Side) | 83 | 691240 | Shaft-Auxiliary Drive |
| 4A | 395390 | Sump-Engine (Auxiliary Drive) Used on Type No(s). 0305. | 20A | 391484 | Seal-Oil (PTO Side) (Auxiliary Drive) | 101 | 93474 | Pin-Shaft (Drive) |
| 12 | ★270833 | Gasket-Crankcase (.015 Thick, Standard) Note ★270895 Gasket-Crankcase (.005 Thick) ★270896 Gasket-Crankcase (.009 Thick) | 22 | 94682 | Screw (Crankcase Cover/Sump) | 178 | 690398 | Cover-Drive Gear |
| 15 | 94880 | Plug-Oil Drain | 22A | 93415 | Screw (Crankcase Cover/Sump) Used on Type No(s). 0305. | 374 | 691074 | Washer (Camshaft) |
| 19 | 293709 | Kit-Bushing/Seal (PTO Side) | 43 | 491688 | Slinger-Governor/Oil | 444 | ★270328 | Gasket-Drive Gear Cover |
| | | | 46 | 493747 | Camshaft | 721 | 690397 | Stop-Shaft |
| | | | 46A | 690644 | Camshaft (Counterclockwise) Used on Type No(s). 0305. | 743 | 231279 | Gear-Drive (Counter Clockwise) Used on Type No(s). 0305. |
| | | | | | | 1143 | 94719 | Screw (Drive Gear Cover) |

★ Included in Engine Gasket Set-See Ref. No. 358.

∅ Included in Valve Gasket Set-See Ref. No. 1095.

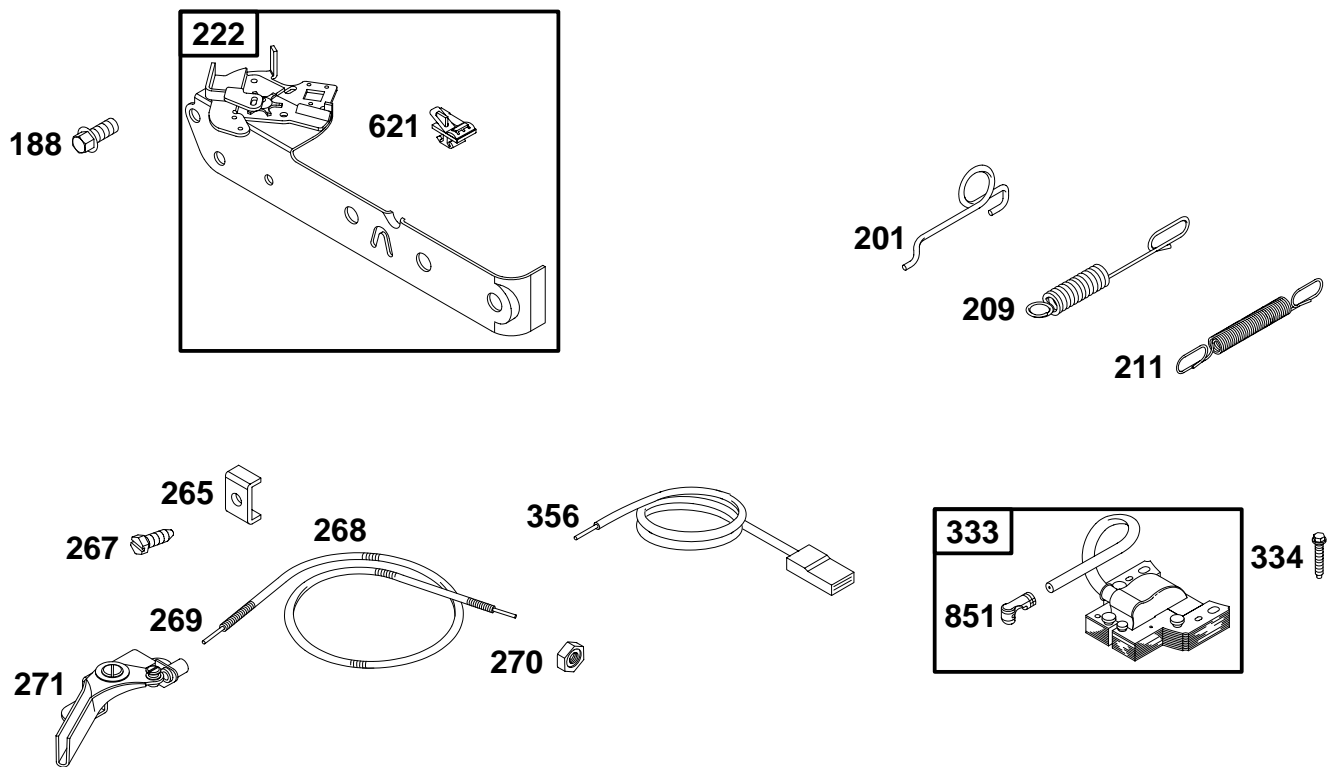


| REF. NO. | PART NO. | DESCRIPTION | REF. NO. | PART NO. | DESCRIPTION | REF. NO. | PART NO. | DESCRIPTION |
|----------|----------|-------------------------------------------------------------------------------------------------------------------------|----------|----------|----------------------------------|----------|----------|---------------------------------------------------------------------------------------------------------------------------------------|
| 90 | 498809 | Carburetor (Used After Code Date 96051900). Note 494775 Carburetor (Used Before Code Date 96052000). | 390 | 262764 | Spring-Choke Diaphragm | 973 | 691347 | Ring-Trim (Primer Bulb) (Used Before Code Date 99051300). |
| 97 | 281437 | Shaft-Throttle | 393 | 262734 | Screen-Carburetor | 976 | 694394 | Primer-Carburetor (Used After Code Date 99051200). Note 494408 Primer-Carburetor (Used Before Code Date 99051300). |
| 130 | 691190 | Valve-Throttle | 612 | 496046 | Tube-Pick Up | | | |
| 163 | ★271139 | Gasket-Air Cleaner | 617 | 270344 | Seal-O-Ring (Intake Manifold) | | | |
| 365 | 94924 | Screw (Carburetor) | 633 | 691321 | Seal-Choke/Throttle Shaft | | | |
| | | | 859 | 495770 | Gasket-Carburetor Pump | | | |
| | | | 913 | 494409 | Seat-Check Valve | | | |

★ Included in Engine Gasket Set-See Ref. No. 358.

∅ Included in Valve Gasket Set-See Ref. No. 1095.

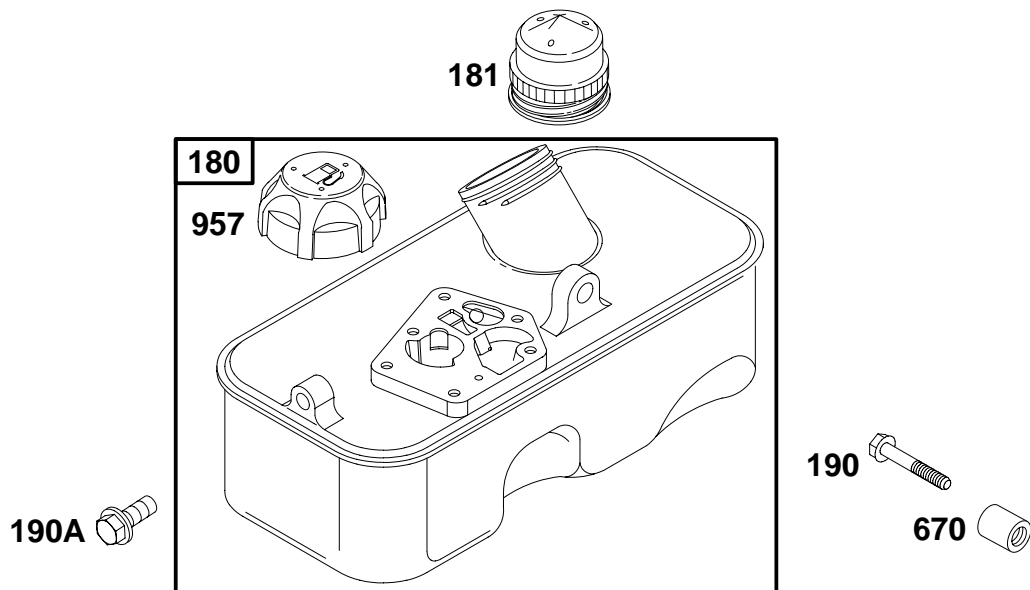
9C900 to 9C999



| REF. NO. | PART NO. | DESCRIPTION | REF. NO. | PART NO. | DESCRIPTION | REF. NO. | PART NO. | DESCRIPTION |
|----------|----------|-----------------------------------------------------------------------------|----------|----------|------------------------------|----------|----------|----------------------------------------------------------|
| 188 | 94786 | Screw (Control Bracket) | 211 | 263109 | Spring-Governed Idle | 271 | 290568 | Lever-Control |
| 201 | 262753 | Link-Air Vane | 222 | 691446 | Bracket-Control | 333 | 496914 | Armature-Magneto |
| 209 | 263117 | Spring-Governor (Used After Code Date 96051900). | 265 | 213146 | Clamp-Casing | 334 | 94731 | Screw (Magneto Armature) |
| | | Note | 267 | 691044 | Screw (Casing Clamp) | 356 | 692390 | Wire-Stop (1 Wire Insulated Flat Terminal, Bare Wire) |
| | | 262759 Spring-Governor (Used Before Code Date 96052000). | 268 | 691072 | Casing-Control Wire | 851 | 493880 | Terminal-Sparkplug |
| | | 263116 Spring-Governor Used on Type No(s). 0333, 2033, 2104, 2131, 2135. | 269 | 26099 | Wire-Control | | | |
| | | | 270 | 63426 | Nut (Control Wire Casing) | | | |

★ Included in Engine Gasket Set—See Ref. No. 358.

∅ Included in Valve Gasket Set—See Ref. No. 1095.

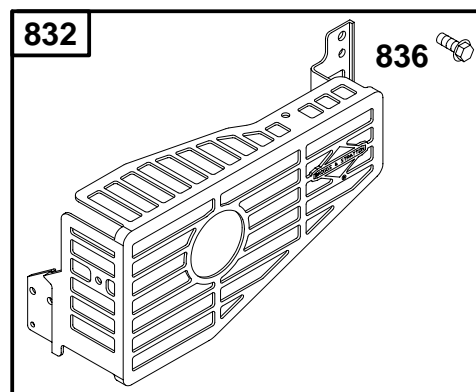
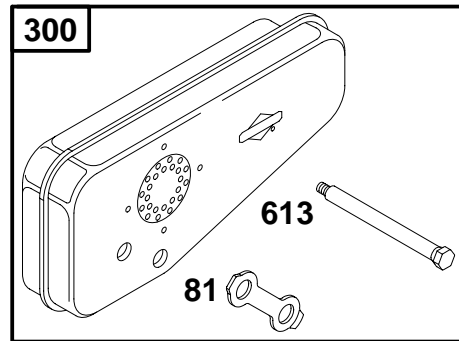
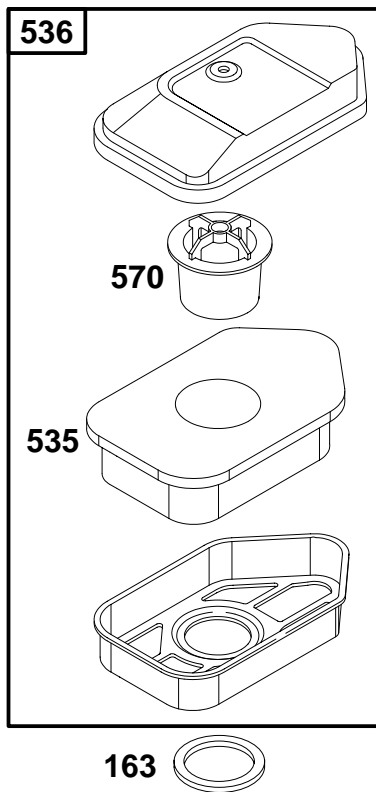


| REF. NO. | PART NO. | DESCRIPTION | REF. NO. | PART NO. | DESCRIPTION | REF. NO. | PART NO. | DESCRIPTION |
|----------|----------|--------------------------|----------|----------|------------------------------------------------------|----------|----------|-------------------------------------------------------|
| 180 | 494406 | Tank-Fuel | 670 | 94047 | Spacer-Fuel Tank (Used After Code Date 97071300). | 957 | 497929 | Cap-Fuel Tank (Plastic) |
| 181 | 493982 | Cap-Fuel Tank (Metal) | | | Note | | | |
| 190 | 94960 | Screw (Fuel Tank) | | | 94038 | | | Spacer-Fuel Tank (Used Before Code Date 97071400). |
| 190A | 94786 | Screw (Fuel Tank) | | | | | | |

★ Included in Engine Gasket Set—See Ref. No. 358.

∅ Included in Valve Gasket Set—See Ref. No. 1095.

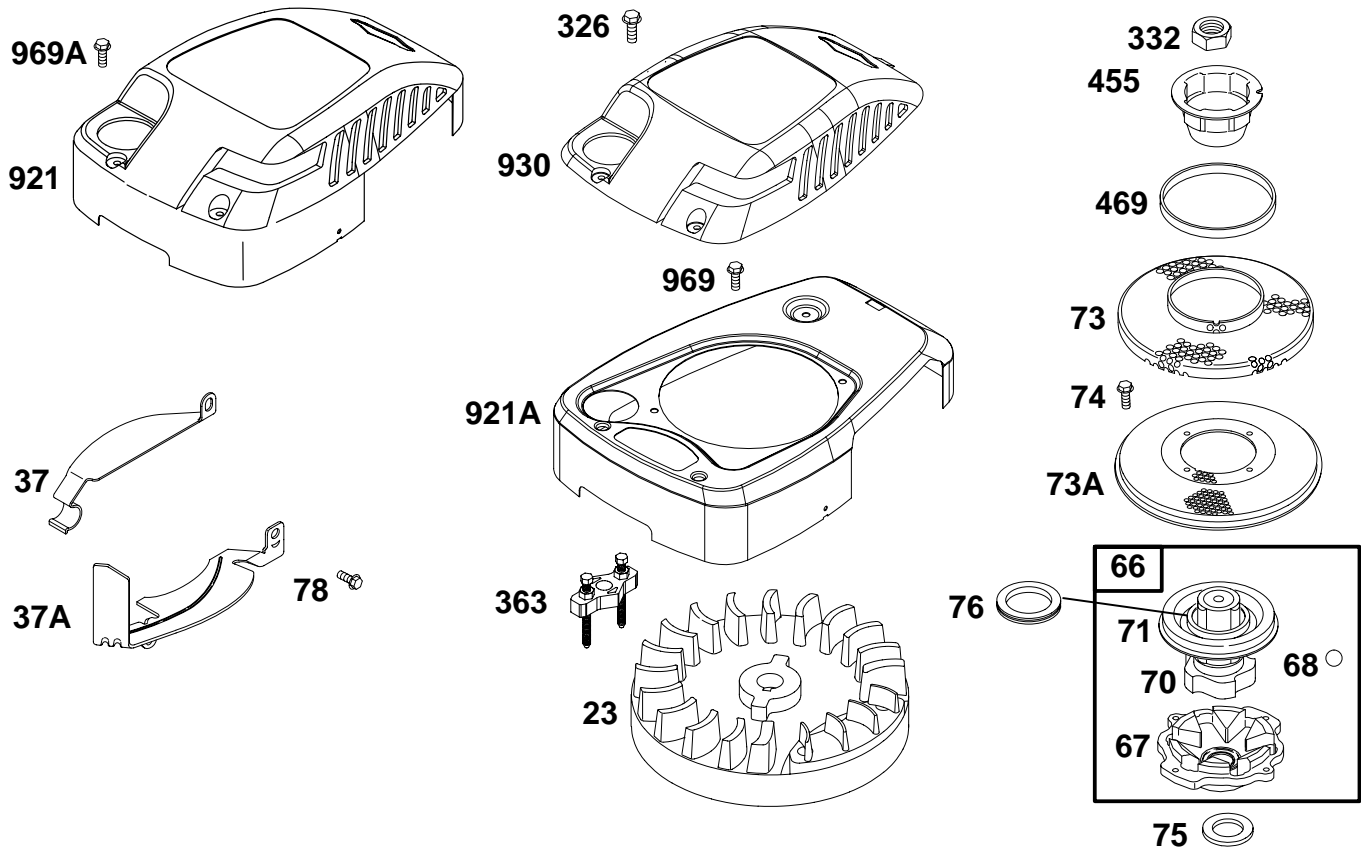
9C900 to 9C999



| REF. NO. | PART NO. | DESCRIPTION | REF. NO. | PART NO. | DESCRIPTION | REF. NO. | PART NO. | DESCRIPTION |
|----------|----------|------------------------|----------|----------|-------------------------|----------|----------|-----------------------|
| 81 | 691179 | Lock-Muffler Screw | 534 | 93865 | Screw (Air Cleaner) | 613 | 93935 | Screw (Muffler) |
| 163 | ★271139 | Gasket-Air Cleaner | 535 | 272235 | Filter-Air Cleaner Foam | 832 | 494896 | Guard-Muffler |
| 300 | 394644 | Muffler | 536 | 497628 | Air Cleaner | 836 | 94874 | Screw (Muffler Guard) |
| 346 | 94896 | Screw (Spark Arrestor) | 570 | 280972 | Support-Foam Element | 994 | 398067 | Arrestor-Spark |

★ Included in Engine Gasket Set—See Ref. No. 358.

∅ Included in Valve Gasket Set—See Ref. No. 1095.

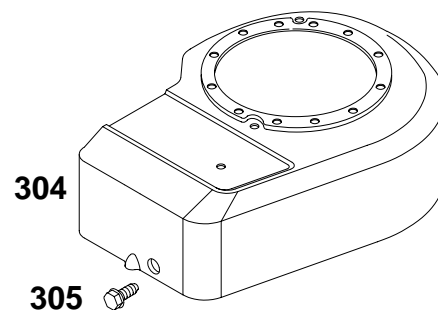
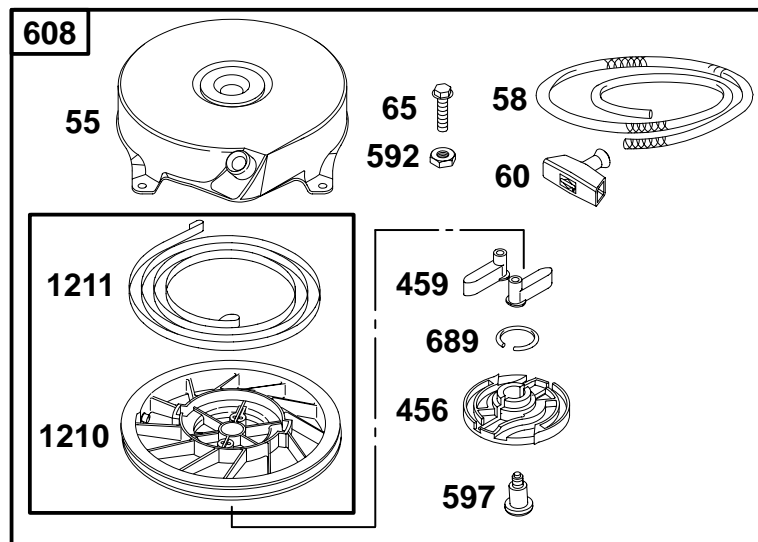


| REF. NO. | PART NO. | DESCRIPTION | REF. NO. | PART NO. | DESCRIPTION | REF. NO. | PART NO. | DESCRIPTION |
|----------|----------|-----------------------------------------------------|----------|----------|------------------------------------------------------|----------|----------|-----------------------------------------------------------|
| 23 | 495046 | Flywheel | 73 | 691235 | Screen—Rotating (Used After Code Date 97060500). | 455 | 691236 | Cup—Flywheel (Used After Code Date 97060500). |
| 37 | 690482 | Guard—Flywheel (Carburetor Side) | 73A | 221661 | Screen—Rotating (Used Before Code Date 97060600). | 469 | 694420 | Ring—Rotating Trim |
| 37A | 691209 | Guard—Flywheel (Muffler Side) | 74 | 94058 | Screw (Rotating Screen) | 921 | 694044 | Cover—Blower Housing (Used After Code Date 97120300). |
| 66 | 399671 | Clutch—Starter (Used Before Code Date 97060600). | 75 | 223047 | Washer (Flywheel) | 921A | 499247 | Cover—Blower Housing (Used Before Code Date 97120400). |
| 67 | 394897 | Clutch—Housing (Used Before Code Date 97060600). | 76 | 68238 | Seal—Ratchet (Used Before Code Date 97060600). | 930 | 281476 | Guard—Rewind (Used Before Code Date 99010400). |
| 68 | 63770 | Ball—Clutch (Used Before Code Date 97060600). | 78 | 94786 | Screw (Flywheel Guard) | 969 | 94977 | Screw (Blower Housing Cover) |
| 70 | 298799 | Ratchet—Clutch (Used Before Code Date 97060600). | 326 | 94579 | Screw (Rewind Guard) | 969A | 694046 | Screw (Blower Housing Cover) |
| 71 | 691359 | Cover—Ratchet (Used Before Code Date 97060600). | 332 | 94877 | Nut (Flywheel) | | | |
| | | | 363 | 19069 | Puller—Flywheel | | | |

★ Included in Engine Gasket Set—See Ref. No. 358.

∅ Included in Valve Gasket Set—See Ref. No. 1095.

9C900 to 9C999

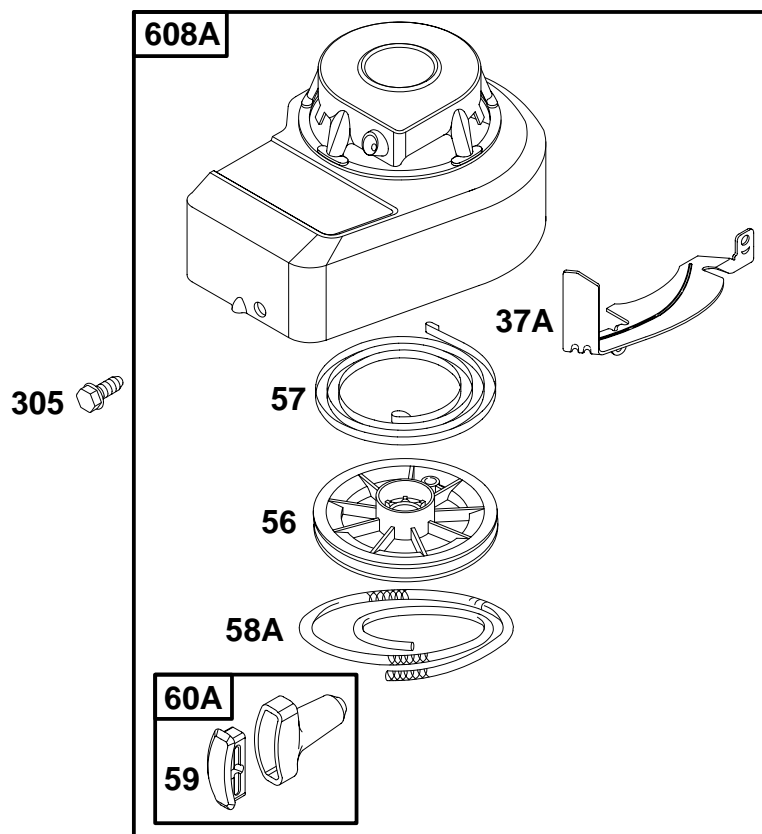


1036 EMISSIONS LABEL

| REF. NO. | PART NO. | DESCRIPTION | REF. NO. | PART NO. | DESCRIPTION | REF. NO. | PART NO. | DESCRIPTION |
|----------|----------|----------------------------------------------------------------|----------|----------|-------------------------------------------------|---------------------------------------------------------------------------------------------------------------------------------------------------------------------------------------------------------------|----------|--------------------------------------------------|
| 55 | 692144 | Housing—Rewind Starter | 305 | 94786 | Screw (Blower Housing) | 1036 | 695108 | Label—Emissions (Used After Code Date 99093000). |
| 58 | 281464 | Rope—Starter | 456 | 281503 | Plate—Pawl Friction | <p align="center">Note</p> <p>694409 Label—Emissions (Used After Code Date 98123100 and Before Code Date 99100100).</p> <p>499332 Label—Emissions (Used Before Code Date 990101000).</p> | | |
| 60 | 281101 | Grip—Starter Rope | 459 | 281505 | Pawl—Ratchet | | | |
| 65 | 94904 | Screw (Rewind Starter Housing) | 592 | 94908 | Nut (Rewind Starter Housing) | 1210 | 499901 | Pulley/Spring Assembly (Pulley) |
| 304 | 694236 | Housing—Blower (Used After Code Date 99010300). | 597 | 94943 | Screw (Pawl Friction Plate) | 1211 | 499901 | Pulley/Spring Assembly (Spring) |
| | | Note | 608 | 499706 | Starter—Rewind (Used After Code Date 97060500). | | | |
| | | 691484 Housing—Blower (Used Before Code Date 99010400). | 689 | 263073 | Spring—Friction | | | |

★ Included in Engine Gasket Set—See Ref. No. 358.

∅ Included in Valve Gasket Set—See Ref. No. 1095.

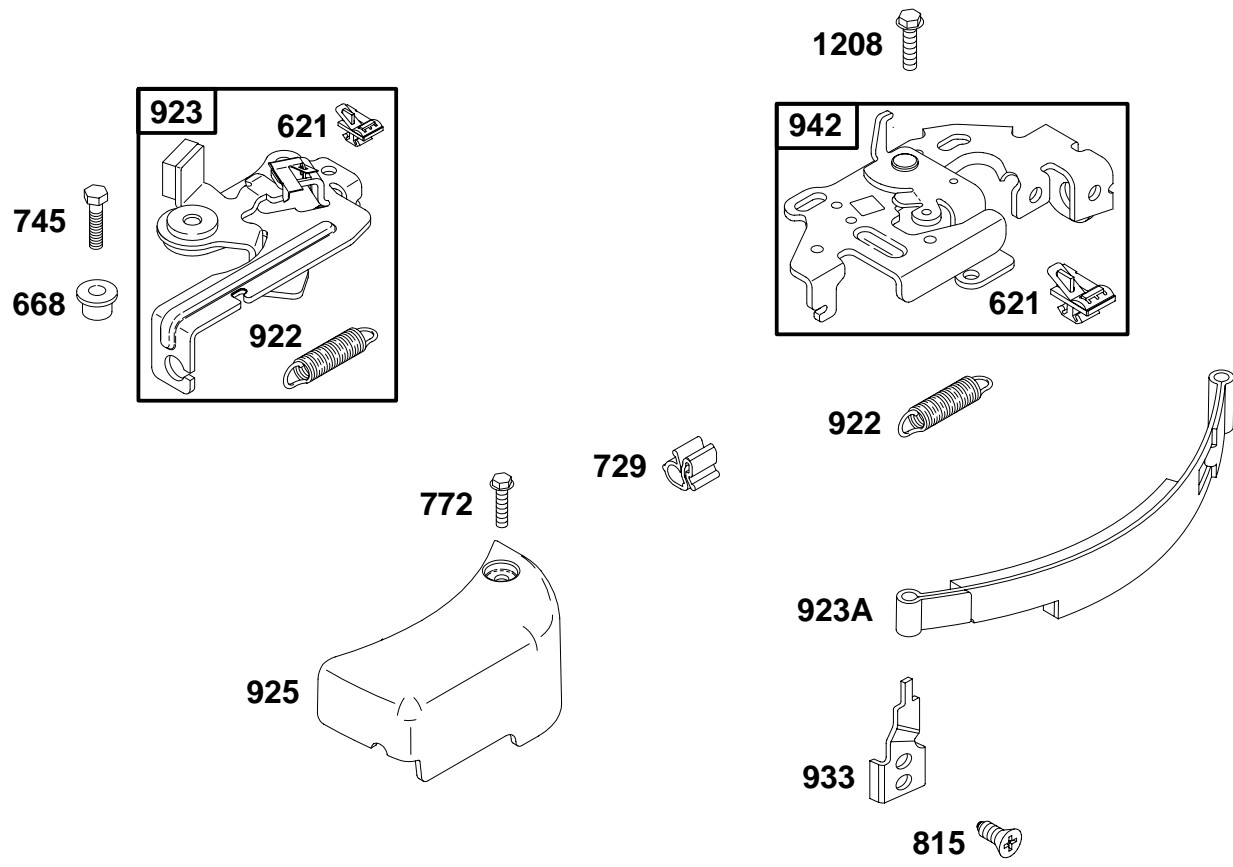


| REF. NO. | PART NO. | DESCRIPTION | REF. NO. | PART NO. | DESCRIPTION | REF. NO. | PART NO. | DESCRIPTION |
|----------|----------|-----------------------|----------|----------|---------------------------|----------|----------|----------------------------------------------------------------------|
| 37A | 691209 | Guard-Flywheel | 58A | 280406 | Rope-Starter | 608A | 497813 | Starter-Rewind |
| 56 | 281336 | Pulley-Starter | 59 | 396892 | Insert-Grip | | | 5 O'Clock |
| 57 | 490179 | Spring-Rewind Starter | 60A | 393152 | Grip-Starter Rope | | | (Used Before Code Date 97060600). |
| | | | 305 | 94786 | Screw (Blower Housing) | | | Note |
| | | | | | | | | 499915 Starter-Rewind |
| | | | | | | | | 6 O'Clock |
| | | | | | | | | (Used Before Code Date 97060600). Used on Type No(s). 0332, 0333. |

★ Included in Engine Gasket Set—See Ref. No. 358.

∅ Included in Valve Gasket Set—See Ref. No. 1095.

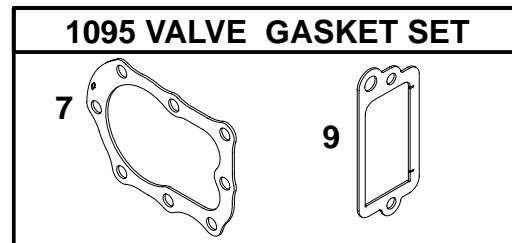
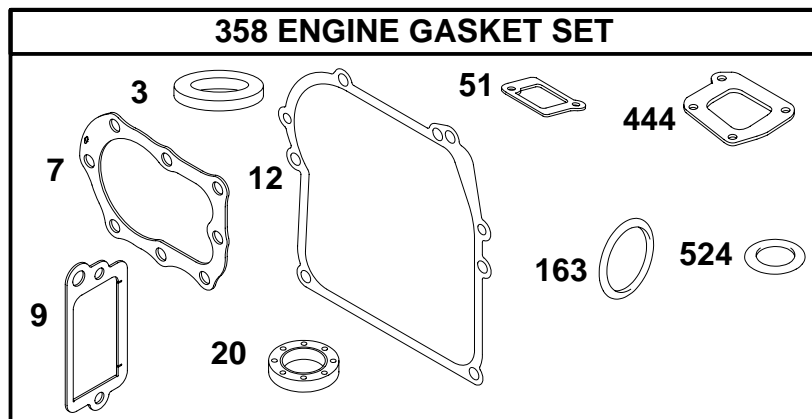
9C900 to 9C999



| REF. NO. | PART NO. | DESCRIPTION | REF. NO. | PART NO. | DESCRIPTION | REF. NO. | PART NO. | DESCRIPTION |
|----------|----------|-----------------------------|----------|----------|----------------------------------------------------------|----------|----------|----------------------------------------------------|
| 621 | 396847 | Switch-Stop | 922 | 692135 | Spring-Brake (Used After Code Date 97071300). | 923A | 394867 | Brake (Band) |
| 668 | 692889 | Spacer | | | Note | 925 | 691349 | Cover-Linkage |
| 729 | 690586 | Clip-Wire | | | 261647 Spring-Brake (Used Before Code Date 97071400). | 933 | 690428 | Pivot-Band Brake |
| 745 | 691146 | Screw (Brake) | 923 | 691487 | Brake (Used After Code Date 97071300). | 942 | 493248 | Bracket-Brake (Used Before Code Date 97071400). |
| 772 | 691111 | Screw (Linkage Cover) | | | | 1208 | 691146 | Screw (Brake Bracket) |
| 815 | 690324 | Screw (Band Brake Pivot) | | | | | | |

★ Included in Engine Gasket Set-See Ref. No. 358.

∅ Included in Valve Gasket Set-See Ref. No. 1095.



| REF. NO. | PART NO. | DESCRIPTION | REF. NO. | PART NO. | DESCRIPTION | REF. NO. | PART NO. | DESCRIPTION |
|----------|----------|----------------------------------------------------------------|----------|----------|-----------------------------------------|----------|----------|-------------------------|
| 3 | ★299819 | Seal—Oil (Magneto Side) | 9 | ★272602 | Gasket—Breather | 20 | ★391483 | Seal—Oil (PTO Side) |
| 7 | Ø272694 | Gasket—Cylinder Head (Used After Code Date 96073100). | 12 | ★270833 | Gasket—Crankcase (.015 Thick, Standard) | 51 | ★270345 | Gasket—Intake |
| | | Note | | | Note | 163 | ★271139 | Gasket—Air Cleaner |
| | | ★272536 Gasket—Cylinder Head (Used Before Code Date 96080100). | | | ★270895 Gasket—Crankcase (.005 Thick) | 358 | 298989 | Set—Engine Gasket |
| | | | | | ★270896 Gasket—Crankcase (.009 Thick) | 444 | ★270328 | Gasket—Drive Gear Cover |
| | | | | | | 524 | ★271485 | Seal—Dipstick Tube |
| | | | | | | 1095 | 498526 | Set—Valve Gasket |

★ Included in Engine Gasket Set—See Ref. No. 358.

Ø Included in Valve Gasket Set—See Ref. No. 1095.