

98900 to 98999

Illustrated Parts List

Model Series

98900 to 98999

TYPE NUMBERS

0101,
0110 through 0151,
0165, 0166, 0167,
0168, 0197, 0198,
0199,
0300 through 0323,
0325 through 0338,
0341 through 0350,
0352 through 0399,
0401 through 0407,
0810, 0837, 0849,
0865, 0866, 0890,
0891, 0899, 1110,
1144,

TYPE NUMBERS

1302 through 1305,
1315 through 1351,
1446, 1472, 1477,
1515 through 1551,
1602, 1603, 1612,
1615, 1616, 1618,
1644,
1650, 1651, 2010,
2025 through 2099,
2101 through 2147,
2163 through 2198,
2202 through 2243.

TO FIND

**THE CORRECT NUMBER OF THE PART YOU NEED:
FOLLOW THE INSTRUCTIONS BELOW**

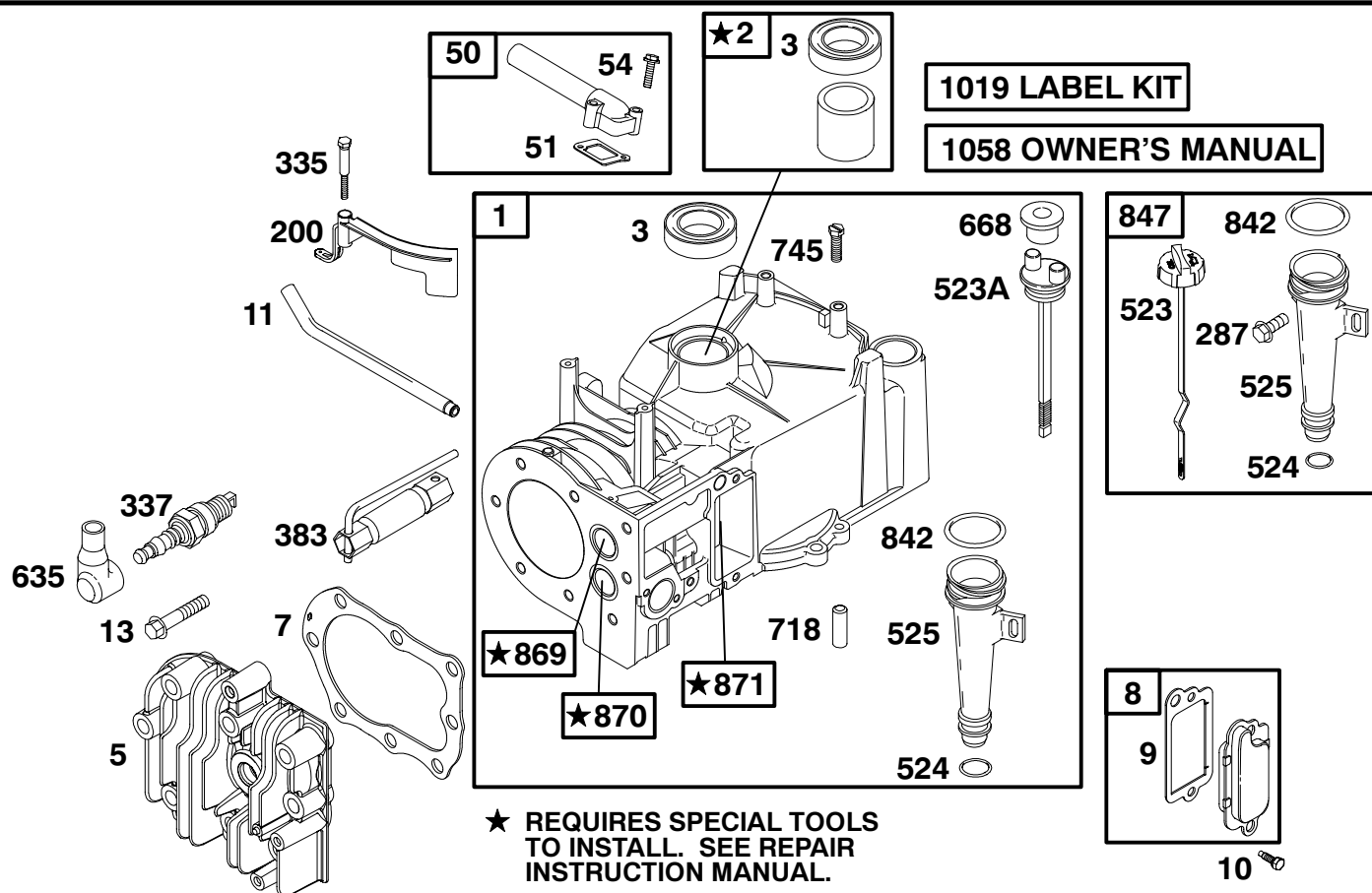
- A. Refer to Engine Model, Type and Code Number that is stamped on the blower housing of engine. Engine type numbers such as 0123 01 are listed only as 0123 in most instances. The two digits (01 or 02, etc.) to the right of the space may be required for more accurate parts identification in some instances. Select the Illustrated Parts List covering the correct Model Series and Type Number.
- B. Refer to the Illustrations and compare the original part with Illustration. The number next to the illustration is the Reference Number. Assemblies include all parts shown in frames. All parts shown in assembly frames having individual reference numbers can be purchased separately.
- C. After the Reference Number has been identified, refer to the Numerical text, where Reference and Primary Part Number are listed. **THE PRIMARY PART IS USED ON ALL TYPE NUMBERS EXCEPT THOSE TYPE NUMBERS UNDER "NOTE."**
- D. If a "Note" appears below the Primary Part Number, it means that this part differs from the Primary Part for certain types. If your Type number is listed under "Note," order the part referred to at the "Note."
- E. If your Engine Type Number does not appear after any part number listed under "Note," use the Primary Part Number.
- F. For Engine Type Numbers not covered by this book, check other Parts Lists having the same engine model or contact your source of supply.

PRINTED IN U.S.A.



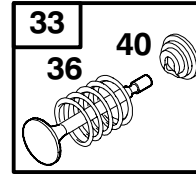
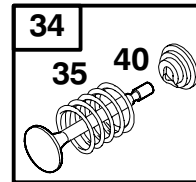
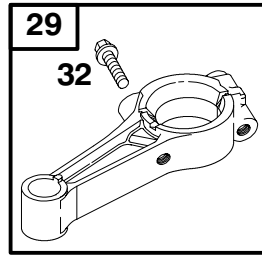
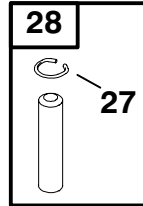
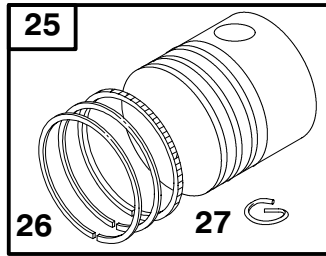
COPYRIGHT by BRIGGS & STRATTON CORPORATION
All rights reserved. No part of this material may be reproduced or transmitted, in any form or by any means, electronic or mechanical, including photocopying, recording or by any information storage and retrieval system, without permission in writing from Briggs & Stratton Corporation.

98900 to 98999



REF. NO.	PART NO.	DESCRIPTION	REF. NO.	PART NO.	DESCRIPTION	REF. NO.	PART NO.	DESCRIPTION
1	399164	Cylinder Assembly	50	298775	Manifold-Intake	842	270920	O-Ring Seal (Dipstick Cap to Tube)
2	399269	Kit-Bushing/Seal (Magneto Side)	51	★270345	Gasket-Intake	847	691440	Dipstick/Tube Assembly
3	★299819	Seal-Oil (Magneto Side)	54	691111	Screw (Intake Manifold)	869	211172	Seat-Valve (Intake)
5	690386	Head-Cylinder	200	281024	Blade-Governor	870	211291	Seat-Valve (Exhaust)
7	272694	Gasket-Cylinder Head (Used After Code Date 95021900).	287	94903	Screw (Dipstick Tube)	871	231348	Bushing-Valve Guide (Exhaust Valve)
		----- Note -----	335	691107	Screw (Armature/Air Vane)			----- Note -----
		★272536 Gasket-Cylinder Head (Used Before Code Date 95022000).	337	802592	Sparkplug			63709 Bushing-Valve Guide (Intake Valve)
8	495785	Breather Assembly	383	89838	Wrench-Sparkplug	1019	496757	Kit-Label
9	★272602	Gasket-Breather	523	497968	Dipstick (Fill and Level Check)	1058	274780	Owner's Manual (Emission)
10	691666	Screw (Breather Assembly)	523A	281081	Dipstick (Fill and Drain)			----- Note -----
11	691245	Tube-Breather	524	★271485	Seal-Dipstick Tube			272308 Owner's Manual (Non Emission)
13	94960	Screw (Cylinder Head)	525	691320	Tube-Dipstick			
			635	66538	Boot-Sparkplug			
			668	692889	Spacer			
			718	230192	Pin-Locating			
			745	691146	Screw (Brake)			

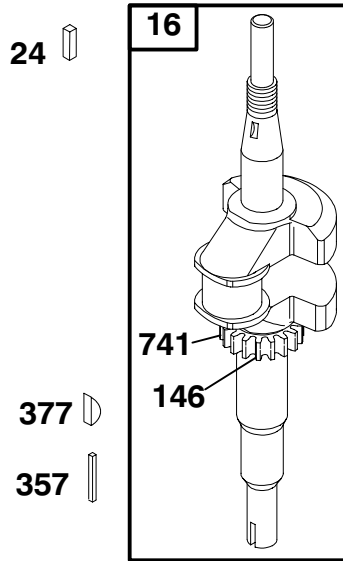
★ Included in Gasket Set-Ref. No. 358.



REF. NO.	PART NO.	DESCRIPTION	REF. NO.	PART NO.	DESCRIPTION	REF. NO.	PART NO.	DESCRIPTION																											
25	498668	Piston Assembly (Standard) (Used After Code Date 96020500). ----- Note ----- 298904 Piston Assembly (Standard) (Used Before Code Date 96020600). ----- 498669 Piston Assembly (.010 O.S.) (Used After Code Date 96020500). 298905 Piston Assembly (.010 O.S.) (Used Before Code Date 96020600). ----- 498670 Piston Assembly (.020 O.S.) (Used After Code Date 96020500). 298906 Piston Assembly (.020 O.S.) (Used Before Code Date 96020600). ----- 498671 Piston Assembly (.030 O.S.) (Used After Code Date 96020500). 298907 Piston Assembly (.030 O.S.) (Used Before Code Date 96020600).	26	498680	Ring Set (Standard) (Used After Code Date 96020500). ----- Note ----- 298982 Ring Set (Standard) (Used Before Code Date 96020600). ----- 498681 Ring Set (.010 O.S.) (Used After Code Date 96020500). 298983 Ring Set (.010 O.S.) (Used Before Code Date 96020600). ----- 498682 Ring Set (.020 O.S.) (Used After Code Date 96020500). 298984 Ring Set (.020 O.S.) (Used Before Code Date 96020600). ----- 498683 Ring Set (.030 O.S.) (Used After Code Date 96020500). 298985 Ring Set (.030 O.S.) (Used Before Code Date 96020600).	27	26026	Lock-Piston Pin	28	298909	Pin-Piston (Standard) ----- Note ----- 298908 Pin-Piston (.005 O.S.)	29	294201	Rod-Connecting (Standard) ----- Note ----- 296079 Rod-Connecting (.020 Undersize)	32	94699	Screw (Connecting Rod)	33	296676	Valve-Exhaust	34	296677	Valve-Intake	35	260552	Spring-Valve (Intake)	36	260552	Spring-Valve (Exhaust)	40	93312	Retainer-Valve	45	230173	Tappet-Valve

★ Included in Gasket Set-Ref. No. 358.

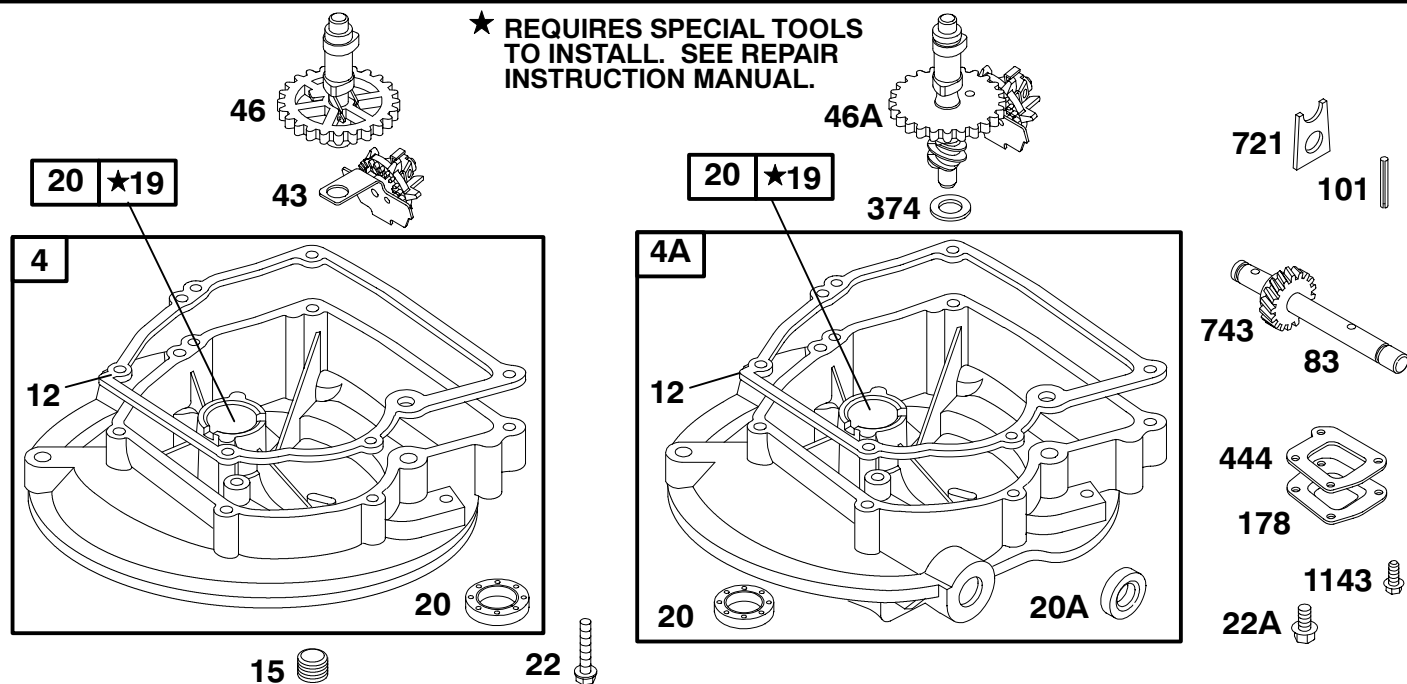
98900 to 98999



REF. NO.	PART NO.	DESCRIPTION	REF. NO.	PART NO.	DESCRIPTION	REF. NO.	PART NO.	DESCRIPTION												
16	492748	Crankshaft ----- Note ----- 492086 Crankshaft Used on Type No(s). 0115, 0120, 0123, 0128, 0129, 0131, 0132, 0144, 0145, 0151, 0197, 0198, 0306, 0308, 0312, 0313, 0320, 0321, 0323, 0326, 0337, 0338, 0344, 0347, 0350, 0353, 0354, 0358, 0366, 0371, 0373, 0374, 0378, 0380, 0381, 0383, 0386, 0388, 0389, 0395, 0401, 0837, 1144, 1316, 1516, 1644. 493618 Crankshaft Used on Type No(s). 0119, 0137, 0141, 0341, 0359, 0382. 690805 Crankshaft Used on Type No(s). 0125, 0139, 0140, 0143, 0148, 0167, 0322, 0328, 0364, 0402, 0866, 0891, 1303, 1304, 1305, 1318.			496069 Crankshaft Used on Type No(s). 0130. 691475 Crankshaft Used on Type No(s). 1616, 2044, 2098, 2101, 2137, 2144, 2147, 2166, 2178, 2180, 2186, 2213, 2216, 2227, 2232, 2235, 2236, 2238, 2240. 692990 Crankshaft Used on Type No(s). 1110, 1602, 1615, 1650, 1651, 2026, 2027, 2063, 2066, 2069, 2070, 2077, 2085, 2093, 2097, 2099, 2109, 2125, 2163, 2179, 2192, 2194, 2198, 2203, 2207, 2209, 2210, 2215, 2229, 2231, 2242, 2243. 692991 Crankshaft Used on Type No(s). 1603, 1612, 1618, 2010, 2025, 2202, 2211, 2212, 2214, 2217, 2222, 2224, 2225, 2228, 2234, 2237.	24	222698	Key-Flywheel	146	499047	Key-Timing	357	692191	Key-Drive Pulley	377	93065	Key-Woodruff	741	261533	Gear-Timing

★ Included in Gasket Set-Ref. No. 358.

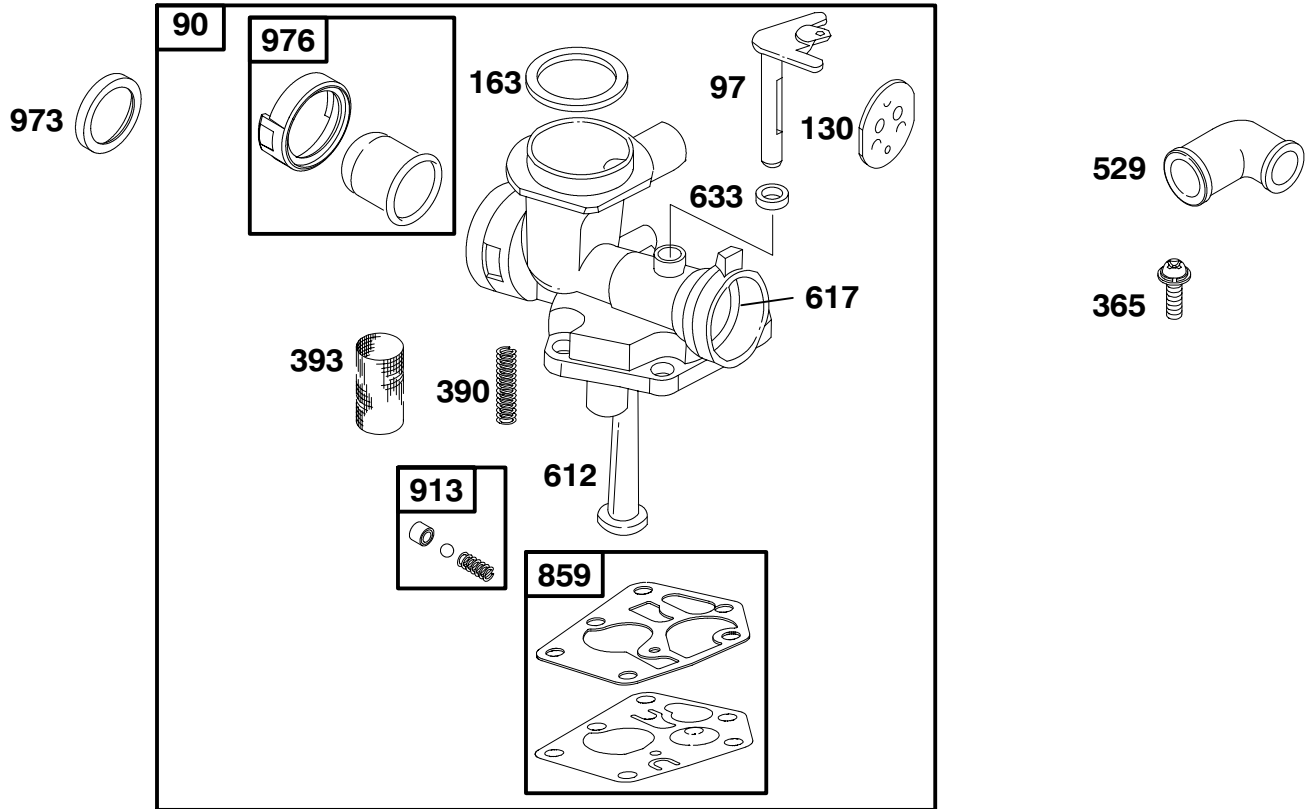
★ **REQUIRES SPECIAL TOOLS TO INSTALL. SEE REPAIR INSTRUCTION MANUAL.**



REF. NO.	PART NO.	DESCRIPTION	REF. NO.	PART NO.	DESCRIPTION	REF. NO.	PART NO.	DESCRIPTION
4	395384	Sump-Engine	46A	690645	Camshaft (Clockwise)	101	93474	Pin-Shaft
4A	395390	Sump-Engine			----- Note -----	178	690398	Cover-Drive Gear
12	★270833	Gasket-Crankcase (.015 Thick, Standard)			690644 Camshaft (Counterclockwise)	374	691074	Washer (Camshaft)
		----- Note -----			Used on Type No(s). 0114, 0117, 0121, 0126, 0127, 0133, 0147, 0149, 0166, 0317, 0319, 0390, 0394, 0396, 0399, 0407, 0849, 1350, 1650, 2026, 2027, 2066, 2194, 2207, 2211.	444	★270328	Gasket-Drive Gear Cover
		★270895 Gasket-Crankcase (.005 Thick)				721	690397	Stop-Shaft
		★270896 Gasket-Crankcase (.009 Thick)				743	690516	Gear-Drive
15	691680	Plug-Oil Drain			----- Note -----			231279 Gear-Drive (Counterclockwise) Used on Type No(s). 0114, 0117, 0121, 0126, 0127, 0133, 0147, 0149, 0166, 0317, 0319, 0390, 0394, 0396, 0399, 0407, 0849, 1350, 1650, 2026, 2027, 2049, 2066, 2194, 2207, 2211.
19	293709	Kit-Bushing/Seal	83	691240	Shaft-Auxiliary Drive			
20	★391483	Seal-Oil (PTO Side)			----- Note -----			
20A	391484	Seal-Oil (PTO Side)			690506 Shaft-Auxiliary Drive Used on Type No(s). 0396, 1350, 1650.			
22	94682	Screw (Crankcase Cover/Sump)			690514 Shaft-Auxiliary Drive Used on Type No(s). 0147, 0317, 0319, 0390, 0399, 0407.	1143	691666	Screw (Drive Gear Cover)
22A	93415	Screw (Crankcase Cover/Sump)			691249 Shaft-Auxiliary Drive Used on Type No(s). 0117, 0133, 0149, 0371, 0373, 0374, 0378, 0849, 2178, 2211.			
43	491688	Slinger-Governor/Oil						
46	493747	Camshaft						

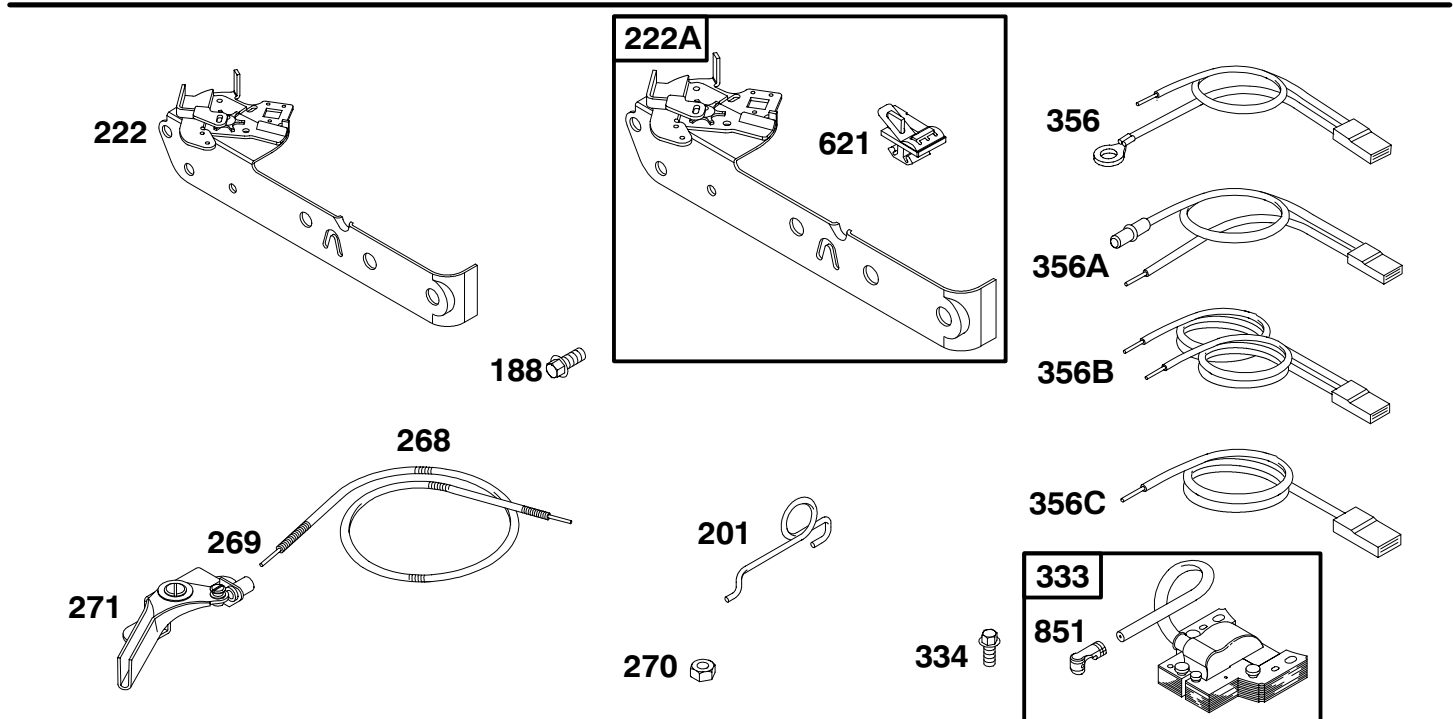
★ Included in Gasket Set-Ref. No. 358.

98900 to 98999



REF. NO.	PART NO.	DESCRIPTION	REF. NO.	PART NO.	DESCRIPTION	REF. NO.	PART NO.	DESCRIPTION
90	498809	Carburetor (Used After Code Date 96051900). ----- Note ----- 494775 Carburetor (Used Before Code Date 96052000).	390	262764	Spring-Choke Diaphragm	973	691347	Ring-Trim (Primer Bulb) (Used Before Code Date 99051300).
97	281437	Shaft-Throttle	393	262734	Screen-Carburetor	976	694394	Primer-Carburetor (Used After Code Date 99051200). ----- Note ----- 494408 Primer-Carburetor (Used Before Code Date 99051300).
130	691190	Valve-Throttle	529	67838	Grommet			
163	★271139	Gasket-Air Cleaner	612	496046	Tube-Pickup			
365	94924	Screw (Carburetor)	617	270344	Seal-O-Ring (Intake Manifold)			
			633	691321	Seal-Choke/Throttle Shaft			
			859	495770	Diaphragm-Carburetor			
			913	494409	Seat-Check Valve			

★ Included in Gasket Set-Ref. No. 358.



REF. NO.	PART NO.	DESCRIPTION	REF. NO.	PART NO.	DESCRIPTION	REF. NO.	PART NO.	DESCRIPTION
188	692198	Screw (Control Bracket)		0389, 0395, 0401, 0402, 0403, 0890, 1144, 1302, 1303, 1304, 1305, 1315, 1316, 1318, 1446, 1472, 1477, 1515, 1516, 1518, 1602, 1603, 1612, 1615, 1616, 1618, 1644, 1650, 1651, 2044, 2063, 2069, 2070, 2077, 2085, 2101, 2109, 2144, 2147, 2163, 2166, 2178, 2186, 2202, 2203, 2210, 2214, 2215, 2216, 2222, 2224, 2225, 2227, 2228, 2231, 2232, 2242, 2243.	268	691072	Casing-Control Wire (Cut to Required Length)	
201	262753	Link-Air Vane				269	26099	Wire-Control (Cut to Required Length)
222	691446	Bracket-Control				270	63426	Nut (Control Wire Casing)
222A	691445	Bracket-Control Used on Type No(s). 0115, 0120, 0124, 0132, 0137, 0138, 0139, 0141, 0143, 0144, 0145, 0306, 0307, 0308, 0309, 0322, 0326, 0328, 0338, 0344, 0345, 0346, 0347, 0349, 0352, 0353, 0354, 0356, 0358, 0359, 0363, 0364, 0366, 0367, 0368, 0369, 0372, 0377, 0381, 0382, 0385, 0386,				271	290568	Lever-Control
						333	496914	Armature-Magneto
						334	94731	Screw (Magneto Armature)
						356	398808	Wire-Stop
						356A	496381	Wire-Stop
						356B	398153	Wire-Stop
						356C	692390	Wire-Stop
						621	396847	Switch-Stop
						851	493880	Terminal-Sparkplug

★ Included in Gasket Set-Ref. No. 358.

98900 to 98999

211

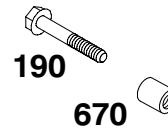
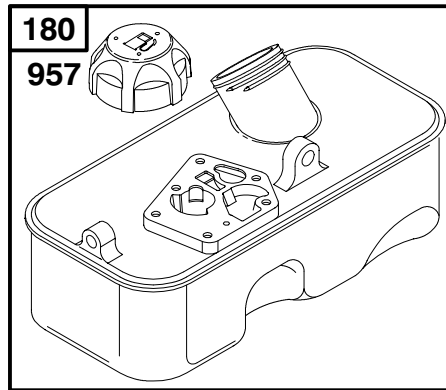
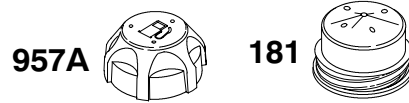


209



REF. NO.	PART NO.	DESCRIPTION	REF. NO.	PART NO.	DESCRIPTION	REF. NO.	PART NO.	DESCRIPTION
209	691297	Spring-Governor (Used After Code Date 96051900). ----- Note ----- 690251 Spring-Governor (Used After Code Date 96051900). Used on Type No(s). 0120, 0121, 0123, 0125, 0126, 0127, 0128, 0131, 0140, 0141, 0144, 0147, 0148, 0150, 0151, 0166, 0167, 0197, 0312, 0313, 0314, 0317, 0319, 0320, 0325, 0347, 0353, 0366, 0367, 0370, 0379, 0380, 0382, 0383, 0386, 0388, 0390, 0392, 0393, 0396, 0397, 0398, 0399, 0401, 0891, 1144, 1315, 1316, 1318, 1350, 1351, 1515, 1516, 1518, 1551, 1612, 1615, 1616, 1618, 1644, 1650, 1651, 2025, 2026, 2027, 2044, 2066, 2093, 2097, 2101, 2125, 2147, 2166, 2179, 2180, 2186, 2192, 2194, 2198, 2209, 2212, 2214, 2227, 2229, 2231, 2232, 2234, 2235, 2243. 263122 Spring-Governor (Used After Code Date 96051900). Used on Type No(s). 0115, 0129, 0132, 0137, 0138, 0139, 0143, 0145, 0307, 0322, 0328, 0345, 0346, 0352, 0363, 0364, 0368, 0372, 0377, 0381, 0395, 0402, 0890,			1302, 1303, 1304, 1446, 1472, 1477, 2224. 263116 Spring-Governor (Used After Code Date 96051900). Used on Type No(s). 0358, 0362, 0371, 0394, 1305, 2147, 2178. 263117 Spring-Governor (Used After Code Date 96051900). Used on Type No(s). 0373, 0374, 0378, 2238. <hr/> 262760 Spring-Governor (Used Before Code Date 96052000). 692211 Spring-Governor (Used Before Code Date 96052000). Used on Type No(s). 0120, 0121, 0123, 0125, 0126, 0127, 0128, 0131, 0140, 0147, 0148, 0150, 0151, 0166, 0167, 0197, 0312, 0313, 0314, 0317, 0319, 0320, 0325, 0353, 0358, 0362, 0366, 0367, 0370, 0371, 0379, 0380, 0383, 0388, 0390, 0392, 0393, 0394, 0396, 0397, 0398, 0399, 0401, 1144, 1305, 1315, 1316, 1318, 1350, 1351, 2222. 262942 Spring-Governor (Used Before Code Date 96052000). Used on Type No(s). 0115, 0132, 0137,			0139, 0143, 0307, 0322, 0328, 0352, 0363, 0364, 0368, 0372, 0377, 0381, 0395, 0402, 1304. 262943 Spring-Governor (Used Before Code Date 96052000). Used on Type No(s). 0129, 0138, 0345, 0346, 0369, 1302, 1303. 262761 Spring-Governor (Used Before Code Date 96052000). Used on Type No(s). 0141, 0309, 0376, 0385, 0403. 262756 Spring-Governor (Used Before Code Date 96052000). Used on Type No(s). 0373, 0374, 0378. 262762 Spring-Governor (Used Before Code Date 96052000). Used on Type No(s). 0130. <hr/> 690250 Spring-Governor Used on Type No(s). 1602, 1603, 2063, 2069, 2077, 2163, 2202, 2210, 2215, 2225. 692698 Spring-Governor Used on Type No(s). 2222, 2228. 263121 Spring-Governor Used on Type No(s). 0145.
						211	263109	Spring-Governor Idle (Used After Code Date 96051900).

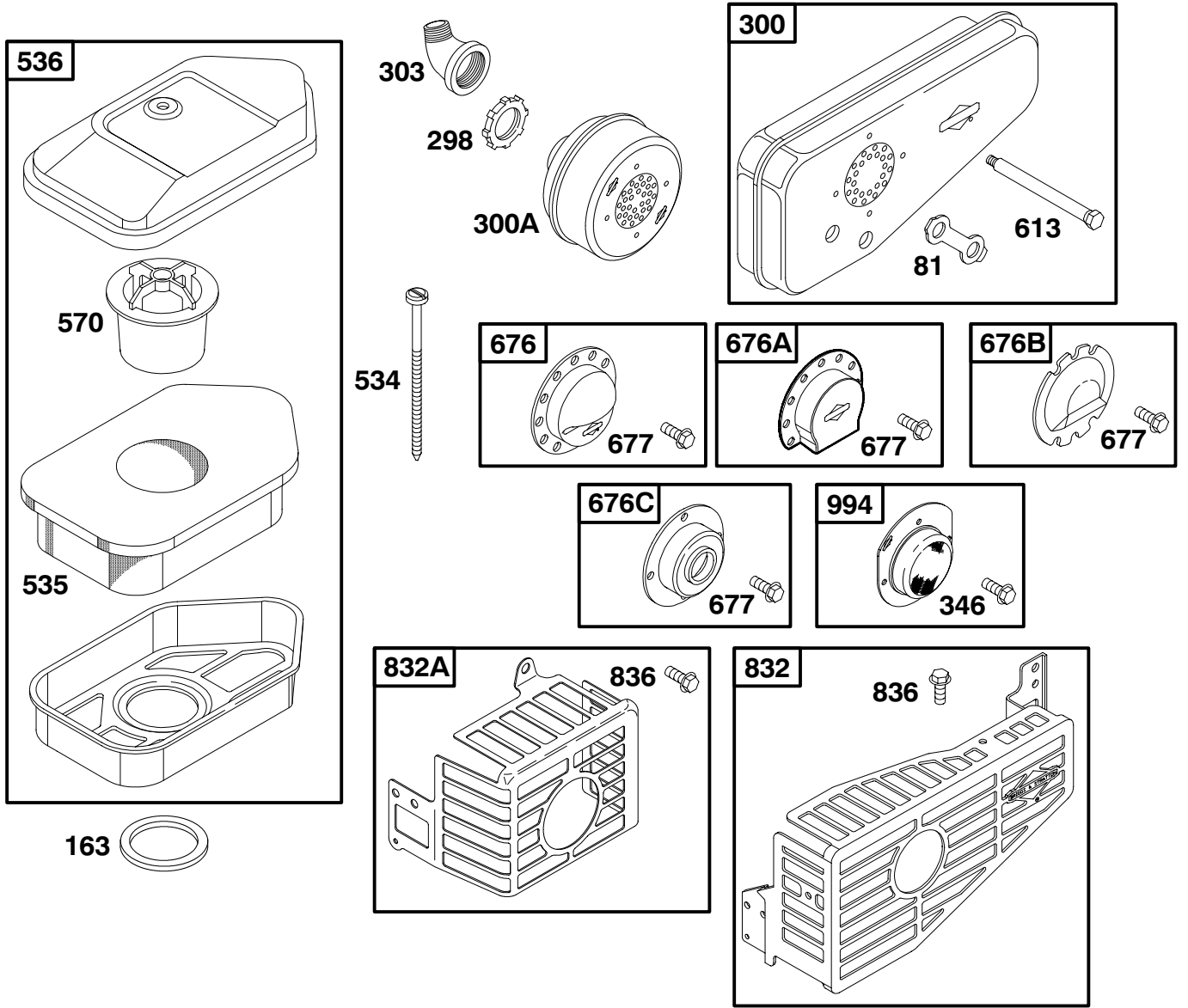
★ Included in Gasket Set-Ref. No. 358.



REF. NO.	PART NO.	DESCRIPTION	REF. NO.	PART NO.	DESCRIPTION	REF. NO.	PART NO.	DESCRIPTION
180	494406	Tank-Fuel	670	94047	Spacer-Fuel Tank (Used on Non Compliance Engines) (Used After Code Date 97071300).	957	497929	Cap-Fuel Tank (Plastic)
181	493982	Cap-Fuel Tank (Metal)				957A	499125	Cap-Fuel Tank (Plastic) Used on Type No(s). 0149, 0165, 0849, 1110, 2049, 2065.
190	94960	Screw (Fuel Tank)			----- Note ----- 94038 Spacer-Fuel Tank (Used on Compliance Engines) (Used Before Code Date 97071400).			----- Note ----- 694120 Cap-Fuel Tank (Plastic) Used on Type No(s). 2224, 2228.
190A	94786	Screw (Fuel Tank)						

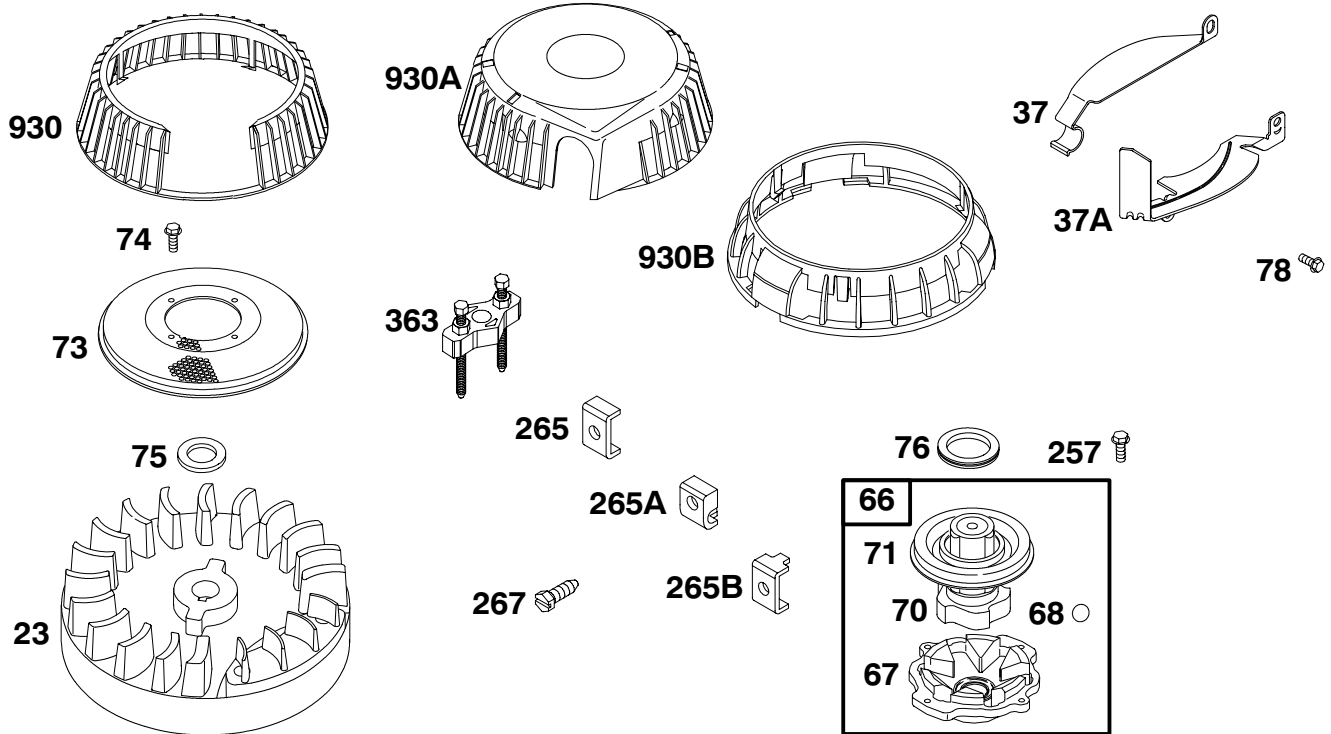
★ Included in Gasket Set-Ref. No. 358.

98900 to 98999



REF. NO.	PART NO.	DESCRIPTION	REF. NO.	PART NO.	DESCRIPTION	REF. NO.	PART NO.	DESCRIPTION
81	691179	Lock-Muffler Screw	534	93865	Screw (Air Cleaner)	676A	393760	Deflector-Muffler
163	★271139	Gasket-Air Cleaner	535	272235	Filter-Air Cleaner Foam	676B	393756	Deflector-Muffler
298	220859	Nut (Muffler/Elbow)	536	493492	Cleaner-Air	676C	397931	Deflector-Muffler
300	394644	Muffler	570	280972	Support-Foam Element	677	94896	Screw (Muffler Deflector)
300A	394569	Muffler	613	93935	Screw (Muffler)	832	494896	Guard-Muffler
303	690291	Exhaust Elbow	676	396548	Deflector-Muffler	832A	691443	Guard-Muffler
346	94896	Screw (Spark Arrester)				836	94874	Screw (Muffler Guard)
						994	398067	Arrester-Spark

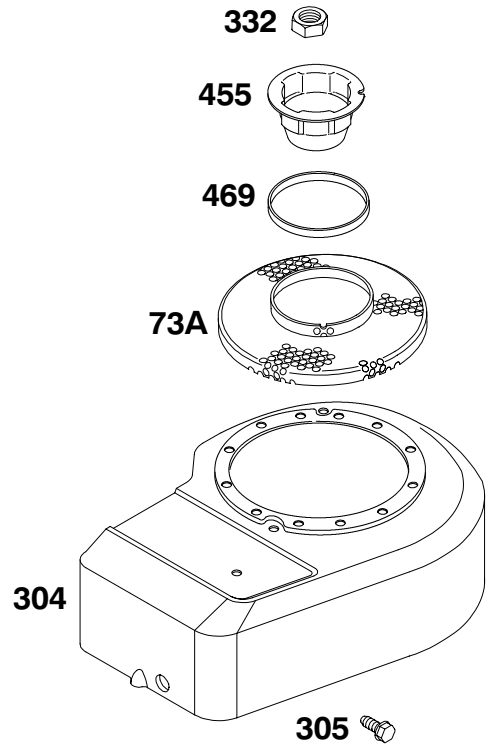
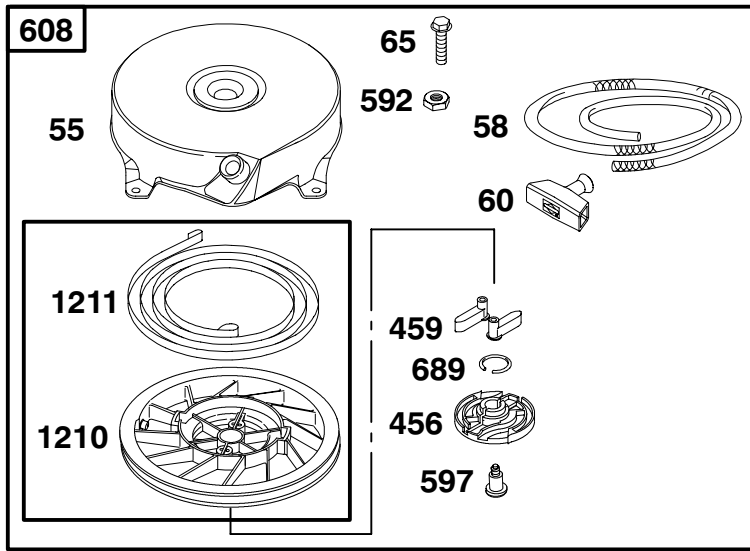
★ Included in Gasket Set-Ref. No. 358.



REF. NO.	PART NO.	DESCRIPTION	REF. NO.	PART NO.	DESCRIPTION	REF. NO.	PART NO.	DESCRIPTION
23	495046	Flywheel ----- Note ----- 496893 Flywheel Used on Type No(s). 0132, 0137, 0141, 0328, 0345, 0347, 0358. 690843 Flywheel Used on Type No(s). 0115, 0132, 0137, 0138, 0139, 0141, 0143, 0145, 0328, 0345, 0346, 0347, 0358, 0364, 0369, 0382, 0386, 0395, 0890, 1302, 1303, 1304, 1305, 1446, 1602, 1603, 2044, 2069, 2147, 2186, 2222, 2224, 2228.	37	690482	Guard-Flywheel	74	93758	Screw (Rotating Screen)
			37A	691209	Guard-Flywheel	75	223047	Washer (Flywheel)
			66	399671	Clutch-Starter (Used Before Code Date 97060600).	76	68238	Seal-Ratchet (Used Before Code Date 97060600).
			67	394897	Housing-Clutch (Used Before Code Date 97060600).	78	692198	Screw (Flywheel Guard)
			68	63770	Ball-Clutch (Used Before Code Date 97060600).	257	94680	Screw (Starter Clutch)
			70	298799	Ratchet-Clutch (Used Before Code Date 97060600).	265	22372	Clamp-Casing
			71	691359	Cover-Ratchet (Used Before Code Date 97060600).	265A	213146	Clamp-Casing
			73	221661	Screen-Rotating (Used Before Code Date 97060600).	265B	691024	Clamp-Casing
						267	691044	Screw (Casing Clamp)
			363	19069	Puller-Flywheel	930	691330	Guard-Rewind
			930	691330	Guard-Rewind	930A	690601	Guard-Rewind
			930B	691348	Guard-Rewind			

★ Included in Gasket Set-Ref. No. 358.

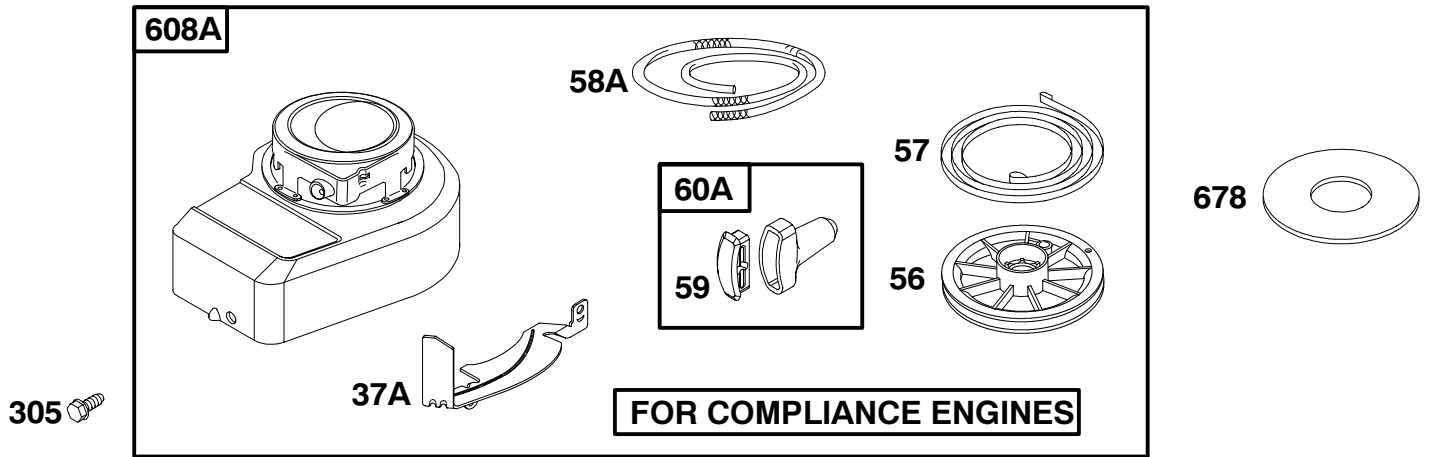
98900 to 98999



1036 EMISSIONS LABEL

REF. NO.	PART NO.	DESCRIPTION	REF. NO.	PART NO.	DESCRIPTION	REF. NO.	PART NO.	DESCRIPTION
55	692144	Housing-Rewind Starter	305	94786	Screw (Blower Housing)	1036	695108	Label-Emission (Used After Code Date 99093000).
58	692259	Rope-Starter	332	94877	Nut-Flywheel			----- Note -----
60	281101	Grip-Starter Rope	455	691236	Cup-Flywheel (Used After Code Date 97060500).			694409 Label-Emission
65	94904	Screw (Rewind Starter)	456	281503	Plate-Pawl Friction			(Used Before Code Date 99100100 and After Code Date 98123100).
73A	691235	Screen-Rotating (Used After Code Date 97060500).	459	281505	Pawl-Ratchet			499331 Label-Emission
304	691484	Housing-Blower (Used on Compliance Engines)	469	694420	Ring-Rotating Trim			(Used Before Code Date 99010100).
		----- Note -----	592	94903	Nut (Rewind Starter)	1210	499901	Pulley/Spring Assembly (Puley)
		692536 Housing-Blower (Used on Non Compliance Engines)	597	94943	Screw (Pawl Friction Plate)	1211	499901	Pulley/Spring Assembly (Spring)
			608	499706	Starter-Rewind (Used After Code Date 97060500).			
			689	263073	Spring-Friction			

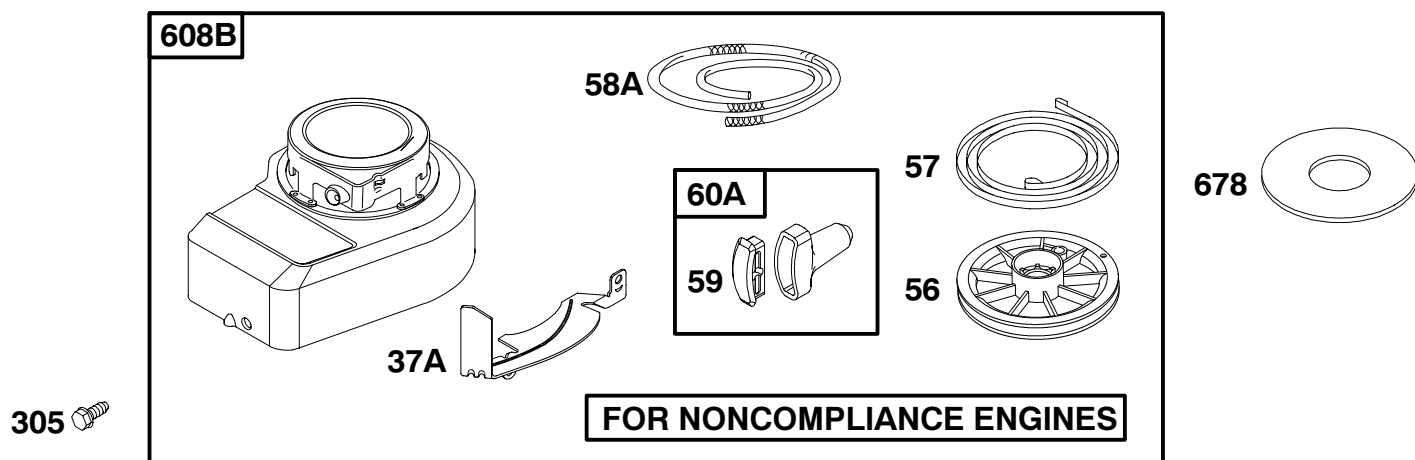
★ Included in Gasket Set-Ref. No. 358.



REF. NO.	PART NO.	DESCRIPTION	REF. NO.	PART NO.	DESCRIPTION	REF. NO.	PART NO.	DESCRIPTION
37A	691209	Guard-Flywheel	608A	497808	Starter-Rewind (3 O'Clock Compliance Engines) (Used After Code Date 95072300).			
56	281336	Pulley-Starter			496321 Starter-Rewind (3 O'Clock Compliance Engines) (Used Before Code Date 95072400).	678	281353	499916 Starter-Rewind (12 O'Clock Compliance Engines) Spacer-Rewind (2 13/16" Dia.)
57	490179	Rewind Starter Spring			497809 Starter-Rewind (5 O'Clock Compliance Engines)			
58A	280406	Rope-Starter (81" Long) (Cut to Required Length)			497805 Starter-Rewind (5 O'Clock Compliance Engines) Used on Type No(s). 0837, 0866.			
		----- Note -----			499916 Starter-Rewind (6 O'Clock Compliance Engines)			
		280399 Rope-Starter (99" Long) (Cut to Required Length)			497811 Starter-Rewind (8 O'Clock Compliance Engines) (Used After Code Date 95072300).			
59	396892	Insert-Grip			496329 Starter-Rewind (8 O'Clock Compliance Engines) (Used Before Code Date 95072400).			
60A	393152	Grip-Starter Rope						
305	94786	Screw (Blower Housing)						

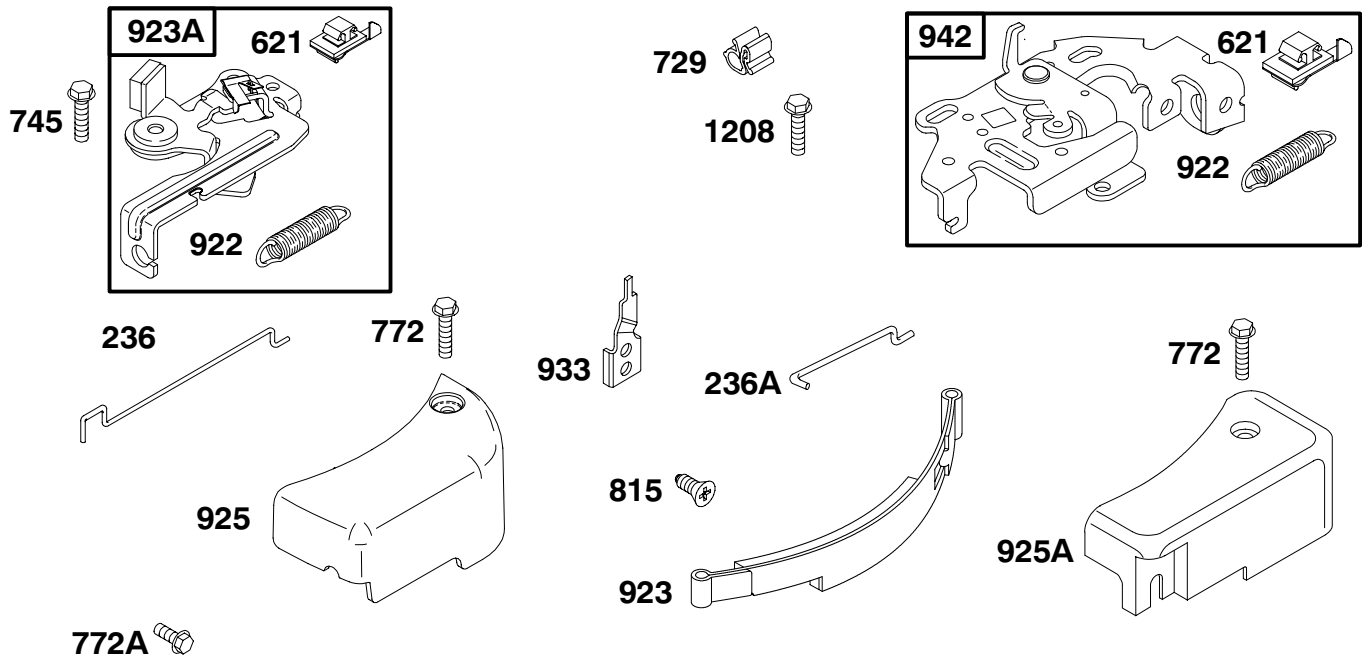
★ Included in Gasket Set-Ref. No. 358.

98900 to 98999



REF. NO.	PART NO.	DESCRIPTION	REF. NO.	PART NO.	DESCRIPTION	REF. NO.	PART NO.	DESCRIPTION
37A	691209	Guard-Flywheel						
56	281336	Pulley-Starter						
57	490179	Spring-Rewind Starter						
58A	280406	Rope-Starter (81" Long) (Cut to Required Length)						
		----- Note -----						
	280399	Rope-Starter (99" Long) (Cut to Required Length)						
59	396892	Insert-Grip						
60A	393152	Grip-Starter Rope						
305	94786	Screw (Blower Housing)						
608B	499925	Starter-Rewind (3 O'Clock Non Compliance Engines) (Used After Code Date 95072300). 499925 Starter-Rewind (3 O'Clock Non Compliance Engines) (Used Before Code Date 95072400). 499925 Starter-Rewind (5 O'Clock Non Compliance Engines) (Used After Code Date 95072300).						
					499925 Starter-Rewind (5 O'Clock Non Compliance Engines) (Used After Code Date 95072300).			
					497798 Starter-Rewind (6 O'Clock Non Compliance Engines) (Used After Code Date 95072300). 496568 Starter-Rewind (6 O'Clock Non Compliance Engines) (Used Before Code Date 95072400).			
					497799 Starter-Rewind (8 O'Clock Non Compliance Engines) (Used After Code Date 95072300). 496725 Starter-Rewind (8 O'Clock Non Compliance Engines) (Used Before Code Date 95072400).			
								499925 Starter-Rewind (9 O'Clock Non Compliance Engines)
								498307 Starter-Rewind (11 O'Clock Non Compliance Engines) Used on Type No(s). 0374, 0378.
								497796 Starter-Rewind (12 O'Clock Non Compliance Engines) (Used After Code Date 95072300). 496504 Starter-Rewind (12 O'Clock Non Compliance Engines) (Used Before Code Date 95072400). 499916 Starter-Rewind (12 O'Clock Non Compliance Engines) Used on Type No(s). 0891.
						678	281353	Spacer-Rewind (2 13/16" Dia.)

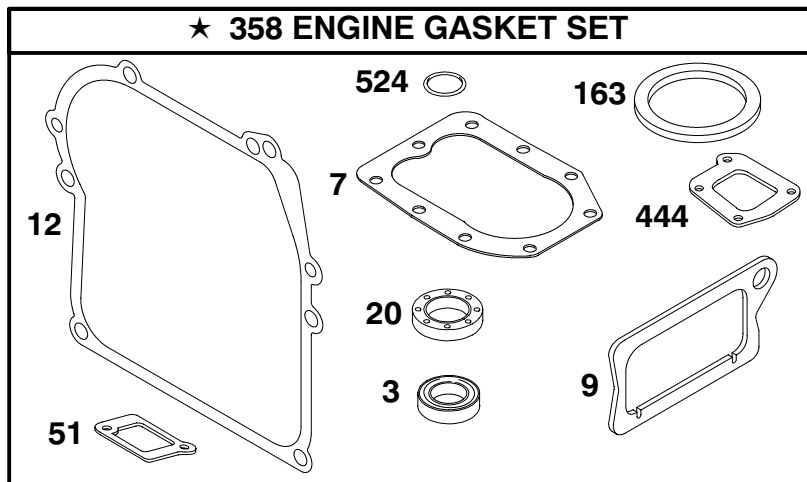
★ Included in Gasket Set-Ref. No. 358.



REF. NO.	PART NO.	DESCRIPTION	REF. NO.	PART NO.	DESCRIPTION	REF. NO.	PART NO.	DESCRIPTION
236	263247	Link-Lockout (Used After Code Date 97071300).	772	691111	Screw (Linkage Cover) (Used After Code Date 97071300).	923	394867	Brake
236A	262461	Link-Lockout (Used Before Code Date 97071400).			----- Note -----	923A	691487	Brake (Used After Code Date 97071300).
621	396847	Switch-Stop			93621 Screw (Linkage Cover) (Used Before Code Date 97071400).	925	691349	Cover-Linkage (Used After Code Date 97071300).
729	690586	Clip-Wire	772A	690345	Screw (Linkage Cover)	925A	691329	Cover-Linkage (Used Before Code Date 97071400).
745	691146	Screw (Brake) (Used After Code Date 97071300).	815	690324	Screw (Band Brake Pivot)	933	690428	Pivot-Band Brake
		----- Note -----	922	692135	Spring-Brake (Used After Code Date 97071300).	942	493248	Bracket-Brake (Used Before Code Date 97071400).
		94902 Screw (Brake) (Used Before Code Date 97071400).			----- Note -----	1208	691146	Screw (Brake Bracket)
					261647 Spring-Brake (Used Before Code Date 97071400).			

★ Included in Gasket Set-Ref. No. 358.

98900 to 98999



REF. NO.	PART NO.	DESCRIPTION	REF. NO.	PART NO.	DESCRIPTION	REF. NO.	PART NO.	DESCRIPTION
3	★299819	Seal-Oil (Magneto Side)	12	★270833	Gasket-Crankcase (.015 Thick, Standard)	20	★391483	Seal-Oil (PTO Side)
7	★272694	Gasket-Cylinder Head (Used After Code Date 96073100).			----- Note -----	51	★270345	Gasket-Intake
		----- Note -----			★270895 Gasket-Crankcase (.005 Thick)	163	★271139	Gasket-Air Cleaner
		★272536 Gasket-Cylinder Head (Used Before Code Date 96080100).			★270896 Gasket-Crankcase (.009 Thick)	358	298989	Gasket Set-Engine
9	★272602	Gasket-Breather				444	★270328	Gasket-Drive Gear Cover
						524	★271485	Seal-Dipstick Tube

★ Included in Gasket Set-Ref. No. 358.