

92200 to 92299

Illustrated Parts List

Model Series

92200 to 92299

TYPE NUMBERS

0007, 0008, 0035,
0036, 0040, 0049,
0100, 0118, 0121,
0122, 0123, 0127,
0128, 0129, 0130,
0133, 0134, 0135,
0136, 0137, 0138,
0139, 0140, 0141,
0142,

TYPE NUMBERS

1007, 1008, 1035,
1036, 1040, 1049,
1218, 1227, 1229,
1230, 1235, 1237,
1238, 1241, 1242,
1243, 1244, 1245,
1246.

TO FIND**THE CORRECT NUMBER OF THE PART YOU NEED:****FOLLOW THE INSTRUCTIONS BELOW**

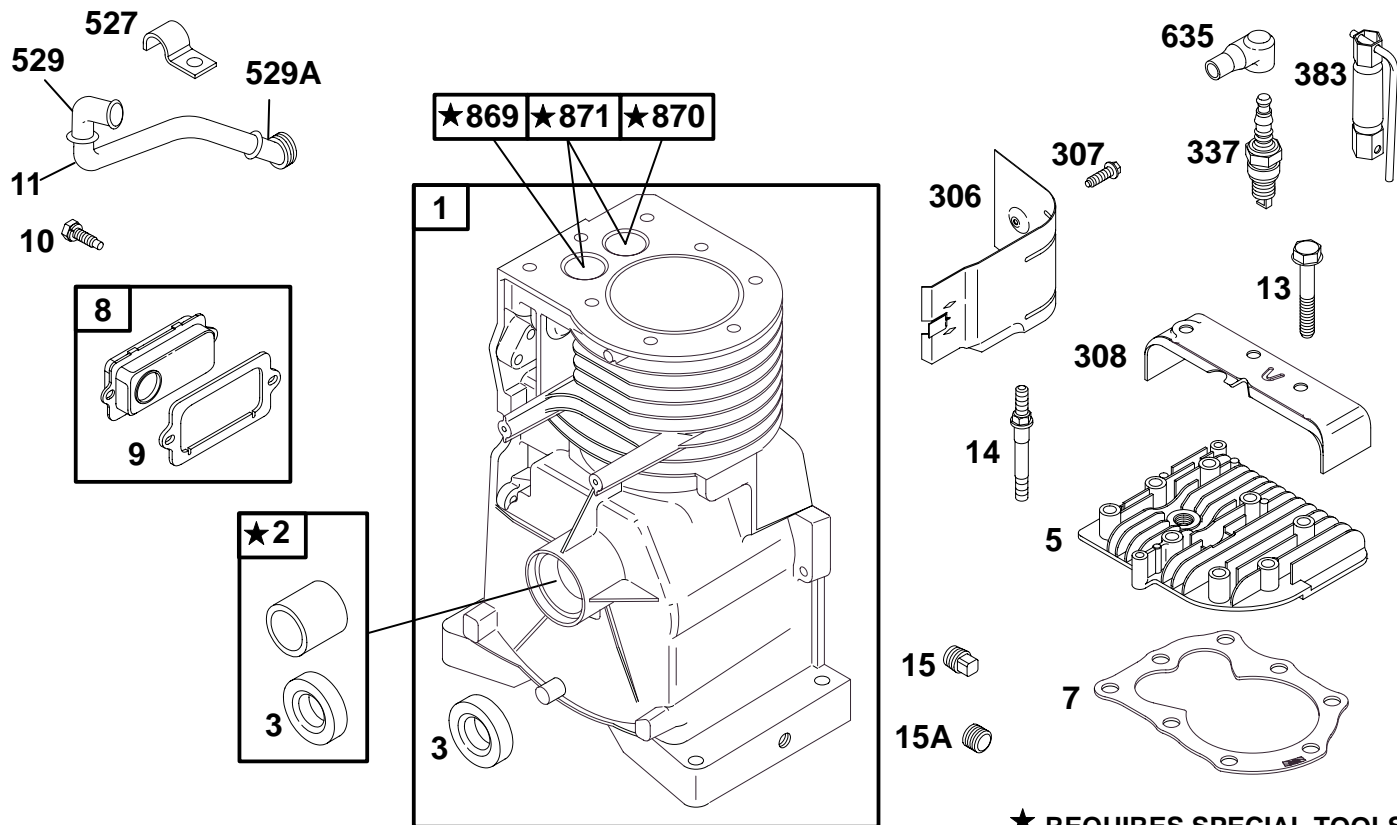
- A. Refer to Engine Model, Type and Code Number that is stamped on the blower housing of engine. Engine type numbers such as 0123 01 are listed only as 0123 in most instances. The two digits (01 or 02, etc.) to the right of the space may be required for more accurate parts identification in some instances. Select the Illustrated Parts List covering the correct Model Series and Type Number.
- B. Refer to the Illustrations and compare the original part with Illustration. The number next to the illustration is the Reference Number. Assemblies include all parts shown in frames. All parts shown in assembly frames having individual reference numbers can be purchased separately.
- C. After the Reference Number has been identified, refer to the Numerical text, where Reference and Primary Part Number are listed. **THE PRIMARY PART IS USED ON ALL TYPE NUMBERS EXCEPT THOSE TYPE NUMBERS UNDER "NOTE."**
- D. If a "Note" appears below the Primary Part Number, it means that this part differs from the Primary Part for certain types. If your Type number is listed under "Note," order the part referred to at the "Note."
- E. If your Engine Type Number does not appear after any part number listed under "Note," use the Primary Part Number.
- F. For Engine Type Numbers not covered by this book, check other Parts Lists having the same engine model or contact your source of supply.

PRINTED IN U.S.A.



COPYRIGHT by BRIGGS & STRATTON CORPORATION
All rights reserved. No part of this material may be reproduced or transmitted, in any form or by any means, electronic or mechanical, including photocopying, recording or by any information storage and retrieval system, without permission in writing from Briggs & Stratton Corporation.

92200 to 92299



★ **REQUIRES SPECIAL TOOLS TO INSTALL. SEE REPAIR INSTRUCTION MANUAL.**

1019 LABEL KIT

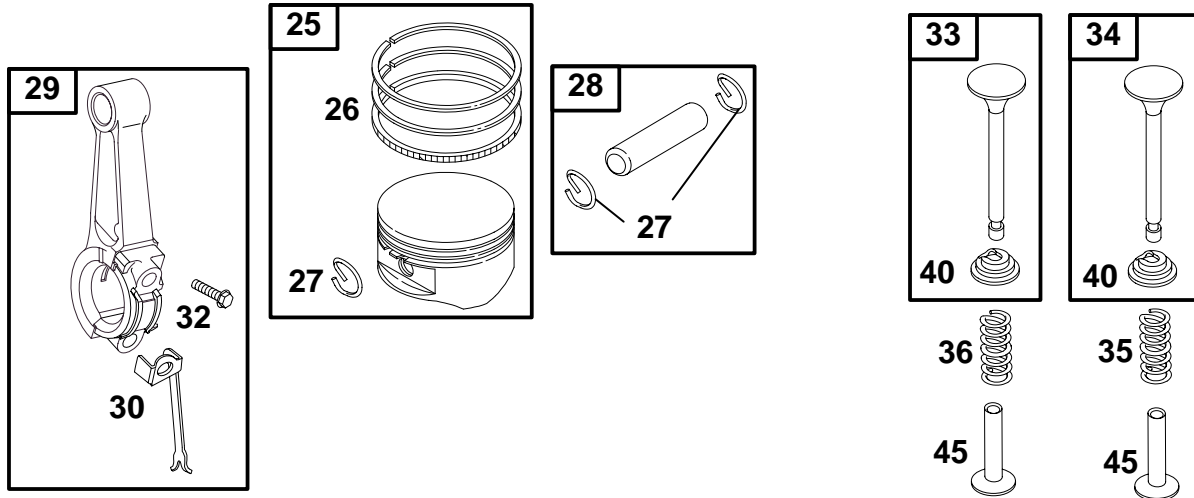
1058 OWNER'S MANUAL

REF. NO.	PART NO.	DESCRIPTION	REF. NO.	PART NO.	DESCRIPTION	REF. NO.	PART NO.	DESCRIPTION
1	497333	Cylinder Assembly	11	231527	Breather Tube	527	223786	Tube Clamp
2	399269	Bushing/Seal Kit (Magneto Side)	13	94221	Screw (Cylinder Head)	529	★67838	Grommet
3	★299819	Oil Seal (Magneto Side)	14	690361	Stud (Cylinder Head)	529A	★66578	Grommet
5	690386	Cylinder Head (Used After Code Date 96073100).			Used on Type No(s). 0035, 0036, 0040, 0049, 0118, 0121, 0127, 0130, 0134, 0137, 0138, 0140, 1035, 1036, 1040, 1049, 1218, 1227, 1230, 1237, 1238.	635	66538	Boot-Sparkplug
		Note				869	211172	Valve Seat (Intake)
		213942 Cylinder Head (Used Before Code Date 96080100).				870	211291	Valve Seat (Exhaust)
7	★Ø272694	Cylinder Head Gasket (Used After Code Date 96073100).				871	262001	Guide Bushing (Exhaust)
		Note						Note
		★272536 Cylinder Head Gasket (Used Before Code Date 96080100).	15	94916	Oil Drain Plug			63709 Guide Bushing (Intake)
8	495774	Breather Assembly	15A	94886	Oil Drain Plug	1019	497335	Label Kit
9	★Ø27549	Breather Gasket	306	690461	Cylinder Shield	1058	273691	Owner's Manual Emission Engines (Used After Code Date 97063000).
10	691666	Screw (Breather Assembly)	307	94680	Screw (Cylinder Shield)			Note
			308	690462	Cylinder Cover			272643 Owner's Manual Non Emission Engines
			337	802592	Sparkplug (Resistor Type)			
					Note			
					492167 Sparkplug			
			383	89838	Sparkplug Wrench			

★ Included in Engine Gasket Set—Ref. No. 358
 ● Included in Carburetor Overhaul Kit—Ref. No. 121

Ø Included in Valve Overhaul Gasket Set—Ref. No. 1095

92200 to 92299

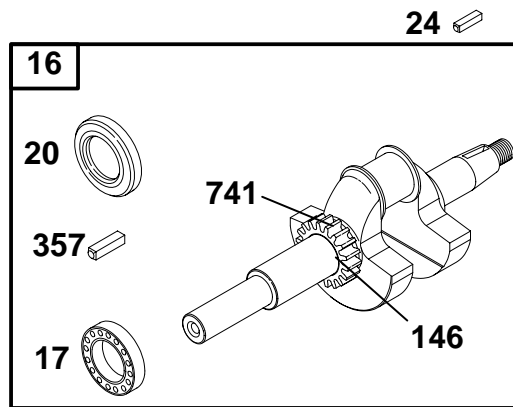


REF. NO.	PART NO.	DESCRIPTION	REF. NO.	PART NO.	DESCRIPTION	REF. NO.	PART NO.	DESCRIPTION																														
25	498676	Piston Assembly (Standard) (Used After Code Date 96012800) Note 496869 Piston Assy. (Standard) (Used Before Code Date 96012900). 498677 Piston Assy. (.010" O.S.) (Used After Code Date 96012800) 393820 Piston Assy. (.010" O.S.) (Used Before Code Date 96012900). 498678 Piston Assy. (.020" O.S.) (Used After Code Date 96012800) 393821 Piston Assy. (.020" O.S.) (Used Before Code Date 96012900). 498679 Piston Assy. (.030" O.S.) (Used After Code Date 96012800) 393822 Piston Assy. (.030" O.S.) (Used Before Code Date 96012900).	26	498680	Ring Set (Standard) (Used After Code Date 96012800) Note 399067 Ring Set (Standard) (Used Before Code Date 96012900). 498681 Ring Set (.010" O.S.) (Used After Code Date 96012800) 399014 Ring Set (.010" O.S.) (Used Before Code Date 96012900). 498682 Ring Set (.020" O.S.) (Used After Code Date 96012800) 399015 Ring Set (.020" O.S.) (Used Before Code Date 96012900). 498683 Ring Set (.030" O.S.) (Used After Code Date 96012800) 399016 Ring Set (.030" O.S.) (Used Before Code Date 96012900).	27	26026	Piston Pin Lock	28	298909	Piston Pin (Standard) Note 298908 Piston Pin (.005" O.S.)	29	294367	Connecting Rod (Standard) Note 296079 Connecting Rod (.020" Undersize)	30	220670	Connecting Rod Dipper	32	94699	Screw (Connecting Rod)	33	296676	Exhaust Valve	34	296677	Intake Valve	35	260552	Valve Spring (Intake)	36	260552	Valve Spring (Exhaust)	40	93312	Valve Retainer	45	230173	Valve Tappet

★ Included in Engine Gasket Set—Ref. No. 358
● Included in Carburetor Overhaul Kit—Ref. No. 121

∅ Included in Valve Overhaul Gasket Set—Ref. No. 1095

92200 to 92299

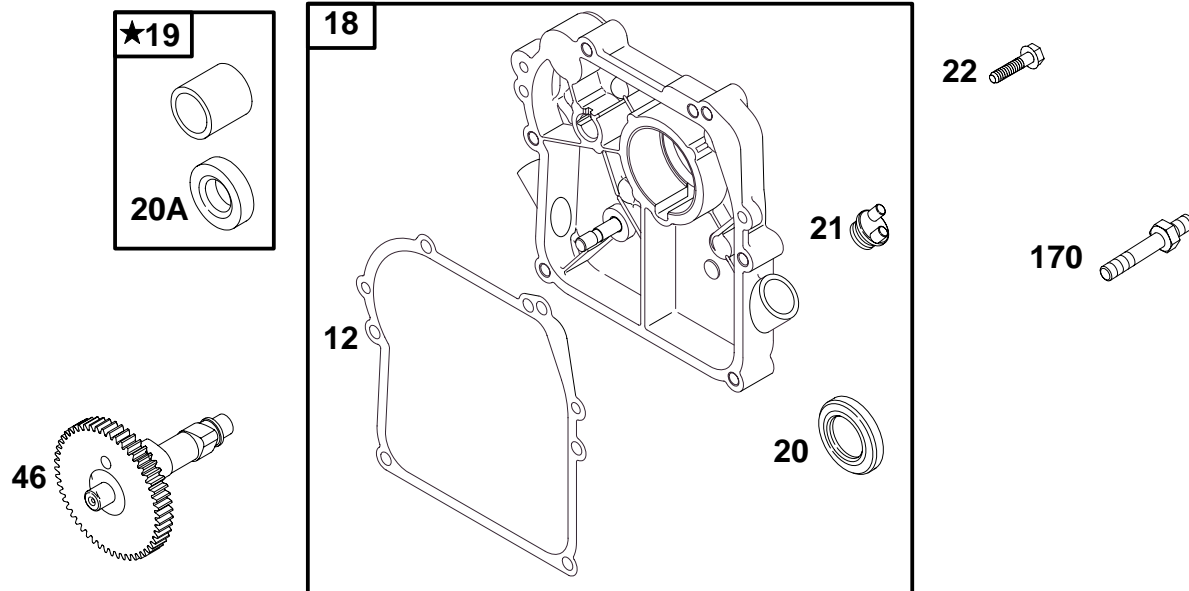


REF. NO.	PART NO.	DESCRIPTION	REF. NO.	PART NO.	DESCRIPTION	REF. NO.	PART NO.	DESCRIPTION
16	497232	Crankshaft _____ Note _____ 493599 Crankshaft Used on Type No(s). 0049, 0127, 0129, 0137. 495210 Crankshaft Used on Type No(s). 0008, 0036, 0123, 0135, 0136. 690821 Crankshaft Used on Type No(s). 0007, 0035, 0121, 0122, 0128, 0130, 0134, 0139, 0140, 0141. 691474 Crankshaft Used on Type No(s). 1242. 690673 Crankshaft Used on Type No(s). 1049, 1227, 1229, 1237. 691488 Crankshaft Used on Type No(s). 1040, 1218, 1238. 691489 Crankshaft Used on Type No(s). 1008, 1036, 1235. 692146 Crankshaft Used on Type No(s). 1007, 1035, 1230, 1241, 1243, 1244, 1245.	17	690824	Ball Bearing	146	499047	Timing Key
			20	495355	Oil Seal	357	91539	Drive Pulley Key
			24	222698	Flywheel Key	741	261533	Timing Gear

★ Included in Engine Gasket Set—Ref. No. 358
 ● Included in Carburetor Overhaul Kit—Ref. No. 121

∅ Included in Valve Overhaul Gasket Set—Ref. No. 1095

★ REQUIRES SPECIAL TOOLS TO INSTALL. SEE REPAIR INSTRUCTION MANUAL.

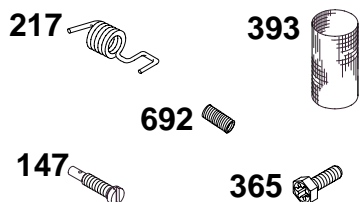


REF. NO.	PART NO.	DESCRIPTION	REF. NO.	PART NO.	DESCRIPTION	REF. NO.	PART NO.	DESCRIPTION
12	★270833	Crankcase Gasket (.015" Thick, Std.) ———— Note ———— ★270895 Crankcase Gasket (.005" Thick) ★270896 Crankcase Gasket (.009" Thick)	19	399269	Bushing/Seal Kit (PTO Side – Services Plain Bearing Cover)	22	691129	Screw (Crankcase Cover) ———— Note ———— 693732 Screw (Crankcase Cover) (Used in Positions 1 and 6) Used on Type No(s). 1049, 1227, 1229, 1237, 1246.
18	497502	Crankcase Cover (Ball Bearing Cover) ———— Note ———— 394820 Crankcase Cover (Plain Bearing Cover) (Used on Type No(s). 0142, 1242.) 496679 Crankcase Cover (Plain Bearing Cover, Flange Mount) (Used on Type No(s). 0049, 0127, 0129, 0133, 0137, 1049, 1227, 1229, 1237, 1246.)	20	495355	Oil Seal (PTO Side – For Use With Ball Bearing Cover)	46	493747	Camshaft
			20A	★299819	Oil Seal (PTO Side – For Use With Plain Bearing Cover)	170	691120	Stud (Crankcase Cover) (Used on Type No(s). 0035, 0036, 0040, 0130, 1035, 1036, 1040, 1230.)
			21	66768	Oil Fill Cap			

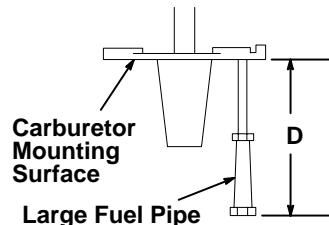
★ Included in Engine Gasket Set—Ref. No. 358
● Included in Carburetor Overhaul Kit—Ref. No. 121

Ø Included in Valve Overhaul Gasket Set—Ref. No. 1095

92200 to 92299

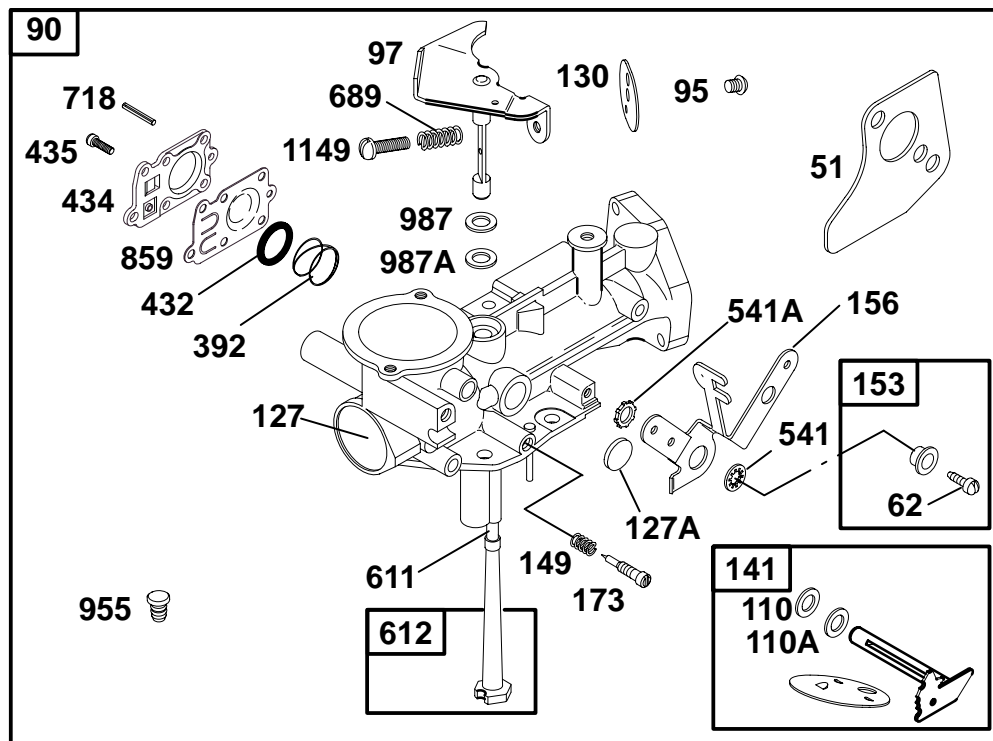


To replace carburetor assembly, determine fuel tank capacity as shown



Fuel Tank Capacity (Quarts)	2	3
D (Inches)	4-1/4	4-7/16

D=Fuel Pipe Length (Approx.)

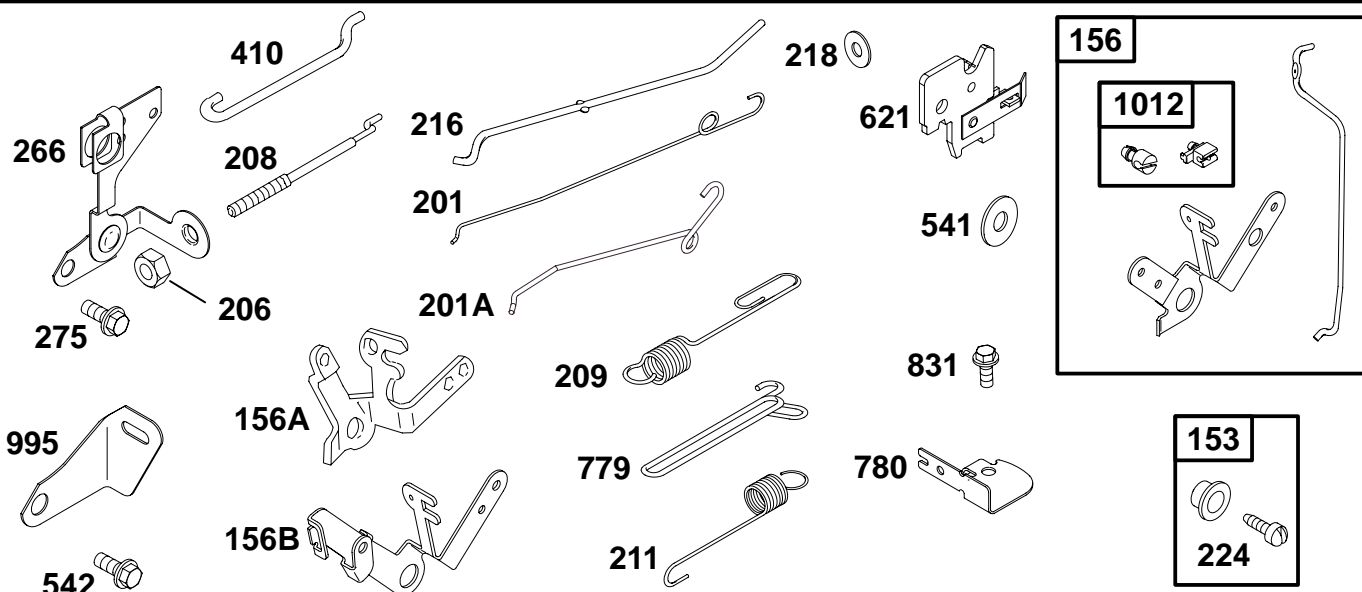


REF. NO.	PART NO.	DESCRIPTION	REF. NO.	PART NO.	DESCRIPTION	REF. NO.	PART NO.	DESCRIPTION
51★	273113	Intake Gasket	110	270382	Washer (Choke Shaft)	392	262328	Pump Diaphragm Spring
62	93955	Screw (Speed Adjuster Lever)	110A	690401	Washer (Choke Shaft)	393	691213	Carburetor Screen
90	495459	Carburetor (For 2 Quart Tank)	127	220352	Welch Plug	432	221377	Cap Spring
		Note	127A	223789	Welch Plug	434	213963	Diaphragm Cover
		499952 Carburetor (For 2 Quart Tank) Used on Type No(s). 1007, 1035, 1036, 1040, 1049, 1229, 1230, 1237, 1238, 1241, 1242, 1243.	130	223793	Throttle Valve	435	93141	Screw (Diaphragm Cover)
		495460 Carburetor (For 3 Quart Tank) Used on Type No(s). 0008, 0118, 0123, 0127, 0135, 0136.	141	497231	Choke Shaft Kit (Used After Code Date 94083100)	541	690288	Washer (Speed Adjuster Lever)
		499953 Carburetor (For 3 Quart Tank) Used on Type No(s). 1008, 1218, 1227, 1235.			Note	541A	690299	Washer (Speed Adjuster Lever)
95	93499	Screw (Throttle Valve)			490495 Choke Shaft Kit (Used Before Code Date 94090100).	611	690507	Fuel Pipe (For 2 Quart Tank)
97	495313	Throttle Shaft	147	691250	Pilot Jet			Note
					499502 Pilot Jet (High Altitude)			231068 Fuel Pipe (For 3 Quart Tank)
			149	26336	Needle Valve Spring	612	391813	Pick-Up Tube
			153	490501	Collar/Screw Kit	689	260575	Friction Spring
			156	492905	Speed Adjuster Lever	692	690572	Detent Spring
			173	231533	Idle Mixture Valve	718	690296	Locating Pin
			217	262281	Choke Return Spring	859	272538	Pump Diaphragm
			365	94913	Screw (Carburetor)	955	281227	Carburetor Plug
						987	271853	Throttle Shaft Seal
						987A	398970	Throttle Shaft Seal
						1149	93527	Screw (Idle Speed Adjusting)

★ Included in Engine Gasket Set—Ref. No. 358
 ● Included in Carburetor Overhaul Kit—Ref. No. 121

∅ Included in Valve Overhaul Gasket Set—Ref. No. 1095

92200 to 92299

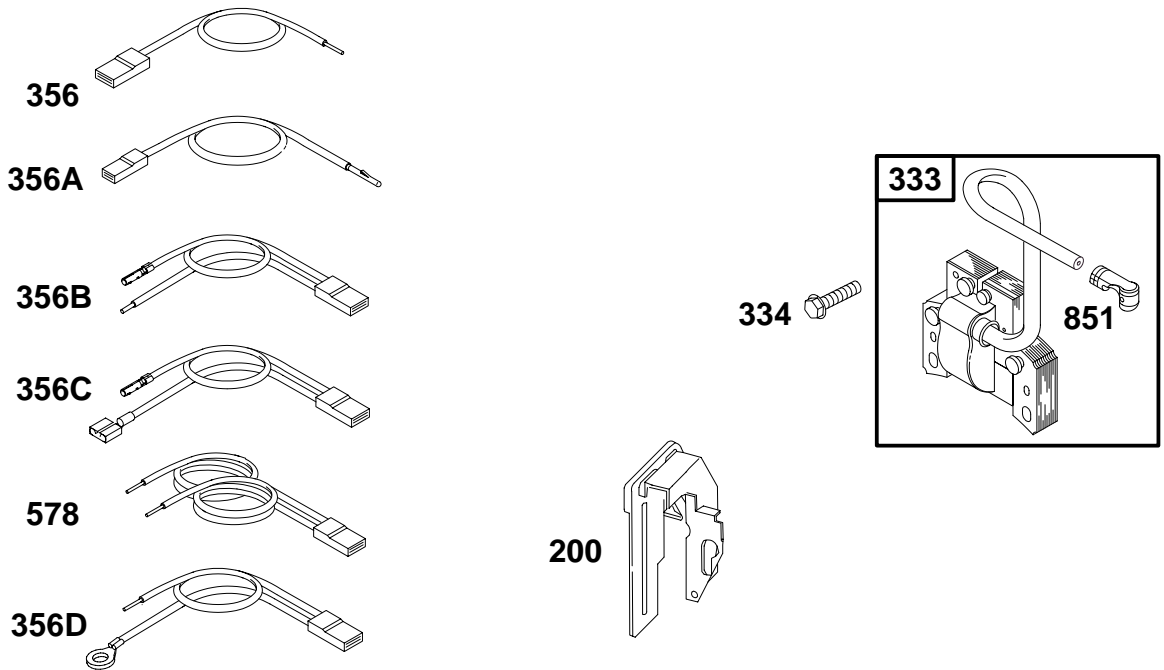


REF. NO.	PART NO.	DESCRIPTION	REF. NO.	PART NO.	DESCRIPTION	REF. NO.	PART NO.	DESCRIPTION
153	490501	Collar/Screw Kit	209	260041	Governor Spring	211	691289	Governed Idle Spring
156	492905	Speed Adjuster Lever			Note	216	690551	Choke Link
156A	690439	Speed Adjuster Lever		262317	Gov. Spring	218	221198	Washer
156B	690438	Speed Adjuster Lever			Used on Type No(s).			(Choke Link)
201	262325	Air Vane Link			0036, 0123, 0127,	224	690320	Screw
201A	691305	Air Vane Link			0135, 0136, 0138.			(Collar Screw Kit)
206	231266	Nut		260662	Gov. Spring	266	691414	Throttle Control
		(Governor Control			Used on Type No(s).	275	93801	Screw
		Rod)			0128, 0141.			(Throttle Control)
208	262321	Rod-Governor Control		262391	Gov. Spring	410	691274	Control Link
					Used on Type No(s).	541	691067	Washer
					0118.			(Speed Adjuster Lever)
				690563	Gov. Spring			(Used In Place Of Stop
					Used on Type No(s).			Switch, Ref. 621)
					0008, 0133, 0142,	542	93801	Screw
					1008, 1238, 1242,			(Link Bracket)
					1246.	621	296110	Stop Switch
				692612	Gov. Spring	779	262570	Bell Crank Link
					Used on Type No(s).	780	691211	Spring Anchor
					1241.	831	691099	Screw
				692911	Gov. Spring			(Spring Anchor)
					Used on Type No(s).	995	225057	Link Bracket
					1036, 1218, 1227,	1012	490507	Link Retainer
					1235.			
				692613	Gov. Spring			
					Used on Type No(s).			
					1244.			

★ Included in Engine Gasket Set-Ref. No. 358
 ● Included in Carburetor Overhaul Kit-Ref. No. 121

∅ Included in Valve Overhaul Gasket Set-Ref. No. 1095

92200 to 92299

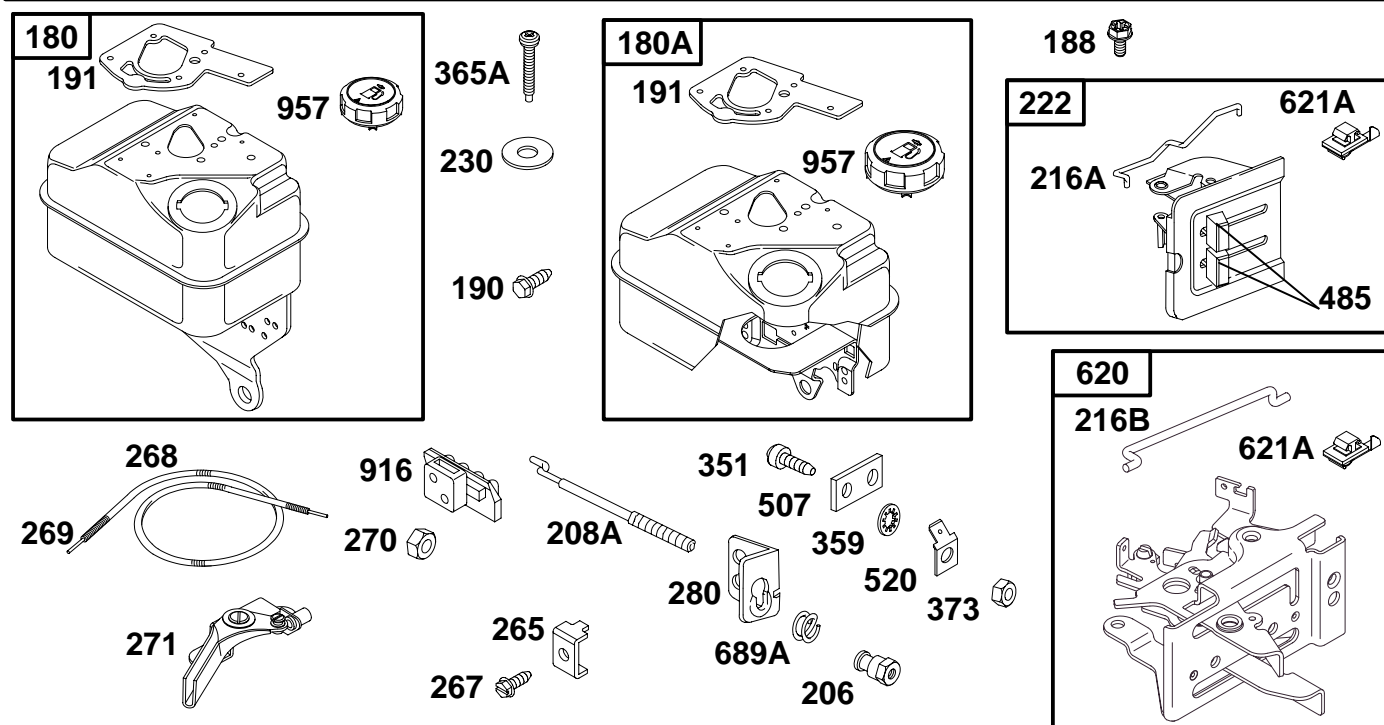


REF. NO.	PART NO.	DESCRIPTION	REF. NO.	PART NO.	DESCRIPTION	REF. NO.	PART NO.	DESCRIPTION
200	495213	Governor Blade	356	692390	Stop Wire	356D	490346	Stop Wire
333	496914	Magneto Armature	356A	690791	Stop Wire	578	398153	Wire Assembly
334	94731	Screw (Magneto Armature)	356B	691418	Stop Wire	851	493880	Sparkplug Terminal
			356C	691409	Stop Wire			

★ Included in Engine Gasket Set—Ref. No. 358
 ● Included in Carburetor Overhaul Kit—Ref. No. 121

∅ Included in Valve Overhaul Gasket Set—Ref. No. 1095

92200 to 92299

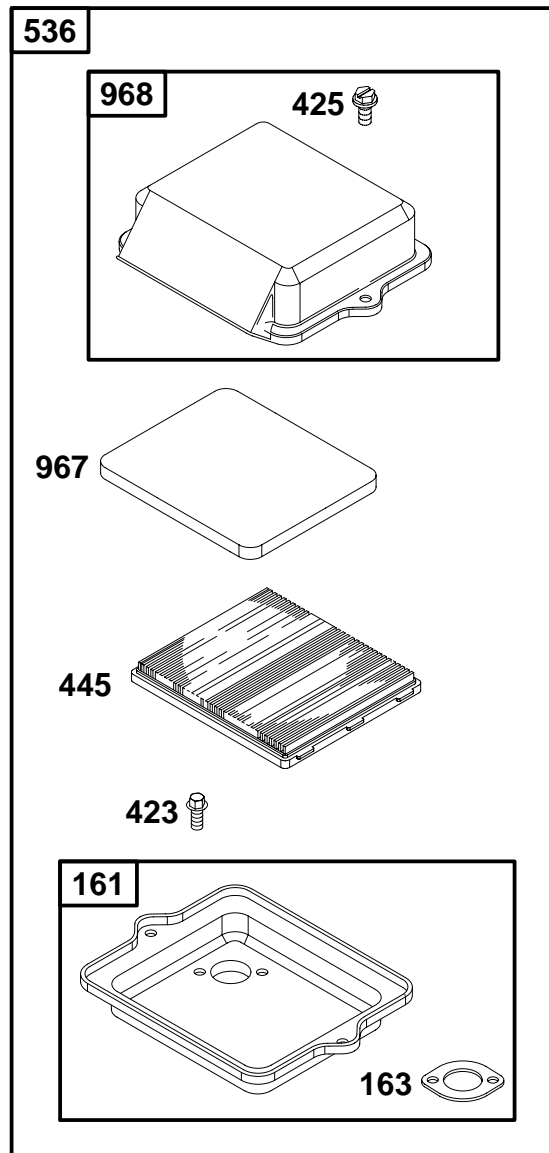


REF. NO.	PART NO.	DESCRIPTION	REF. NO.	PART NO.	DESCRIPTION	REF. NO.	PART NO.	DESCRIPTION
180	495377	Fuel Tank (2 Quart) Used on Type No(s). 0100, 0121, 0122, 0129, 0133, 0134, 0138, 0139, 0140, 0141, 0142, 1007, 1035, 1036, 1040, 1049, 1229, 1230, 1238, 1241, 1242, 1243.	190	94914	Screw (Fuel Tank)	280	691184	Rod Bracket Note 690424 Rod Bracket Used on Type No(s). 0008, 0127.
		Note 495391 Fuel Tank (3 Quart) Used on Type No(s). 0118, 0123, 0135, 0136, 0680, 1008, 1218, 1227, 1235.	191	★●272489	Fuel Tank Gasket (Used After Code Date 92090600). Note ★●272996 Fuel Tank Gasket (Used Before Code Date 92090700).	351	90200	Screw (Ground Terminal)
180A	495376	Fuel Tank (2 Quart) Used on Type No(s). 0007, 0035, 0036, 0040, 0049, 0128, 0130, 0137.	206	231266	Nut (Governor Control Rod)	359	691077	Washer (Ground Terminal)
		Note 495388 Fuel Tank (3 Quart) Used on Type No(s). 0008, 0127.	208A	262323	Governor Control Rod	365A	94919	Screw (Carburetor)
			216A	262359	Choke Link	373	691612	Nut (Ground Terminal)
			216B	263188	Choke Link	485	280715	Control Knob
			222	490649	Control Bracket	507	398525	Insulator
			230	690390	Washer (Control Bracket, Used On Engines Without-Speed Control Panel, Ref. 620A)	520	691084	Ground Terminal
188	94924	Screw (Control Bracket)	265	221535	Casing Clamp	620	692686	Speed Control Panel
			267	93496	Screw (Casing Clamp)	621A	396847	Stop Switch
			268	65616	Control Wire Casing	689A	26855	Friction Spring
			269	26633	Control Wire	916	280321	Governor Gear Rack
			270	63426	Nut (Control Wire Casing)	957	494559	Fuel Tank Cap
			271	290568	Control Lever			

★ Included in Engine Gasket Set—Ref. No. 358
● Included in Carburetor Overhaul Kit—Ref. No. 121

∅ Included in Valve Overhaul Gasket Set—Ref. No. 1095

92200 to 92299

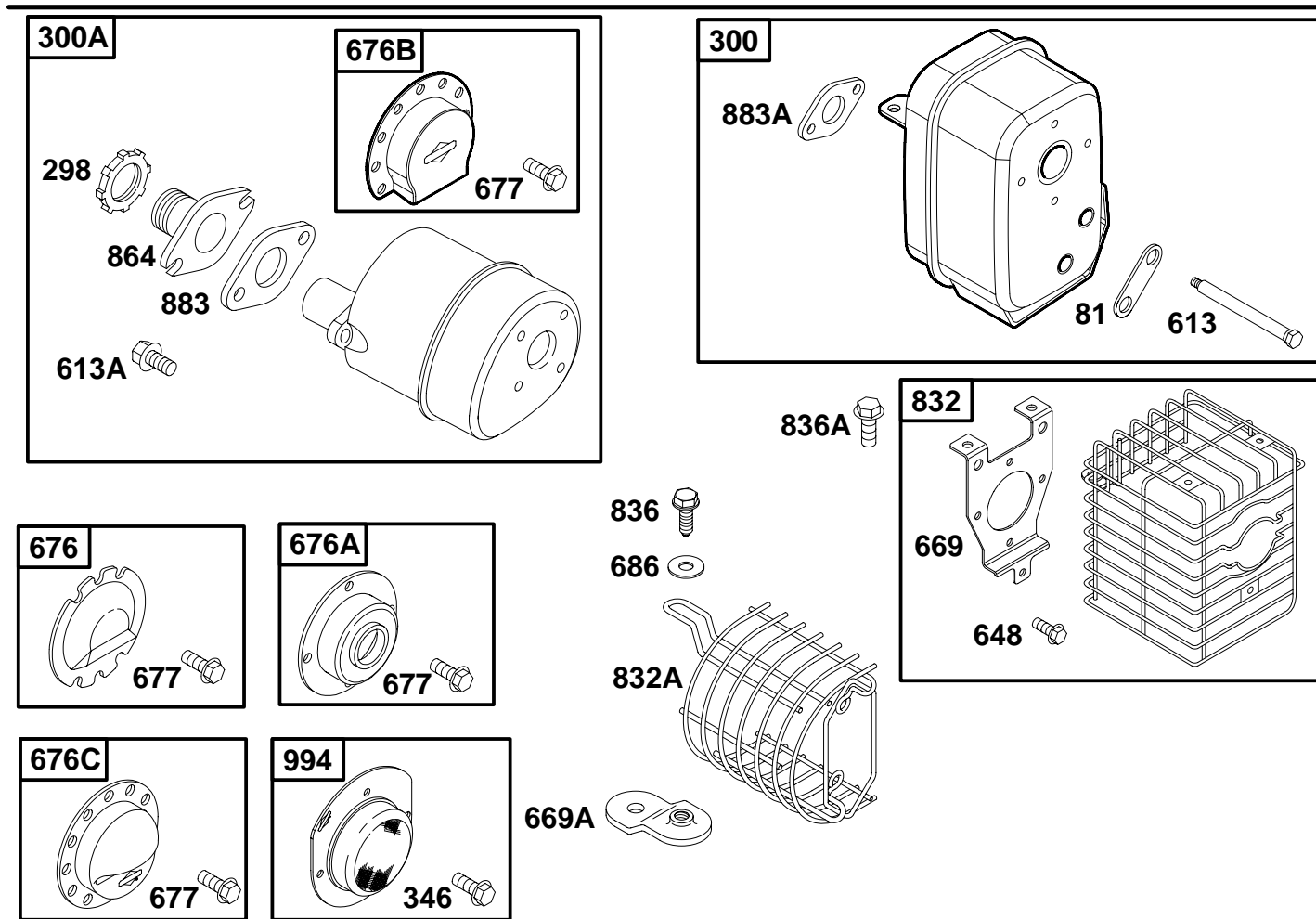


REF. NO.	PART NO.	DESCRIPTION	REF. NO.	PART NO.	DESCRIPTION	REF. NO.	PART NO.	DESCRIPTION
161	492797	Air Cleaner Base	425	490073	Screw (Air Cleaner Cover)	967	491435	Pre-Cleaner Filter
163	★Ø271935	Air Cleaner Gasket	445	491588	A/C Cartridge Filter	968	495872	Air Cleaner Cover
423	94902	Screw (Air Cleaner Base)	536	494279	Air Cleaner			

★ Included in Engine Gasket Set—Ref. No. 358
 ● Included in Carburetor Overhaul Kit—Ref. No. 121

Ø Included in Valve Overhaul Gasket Set—Ref. No. 1095

92200 to 92299

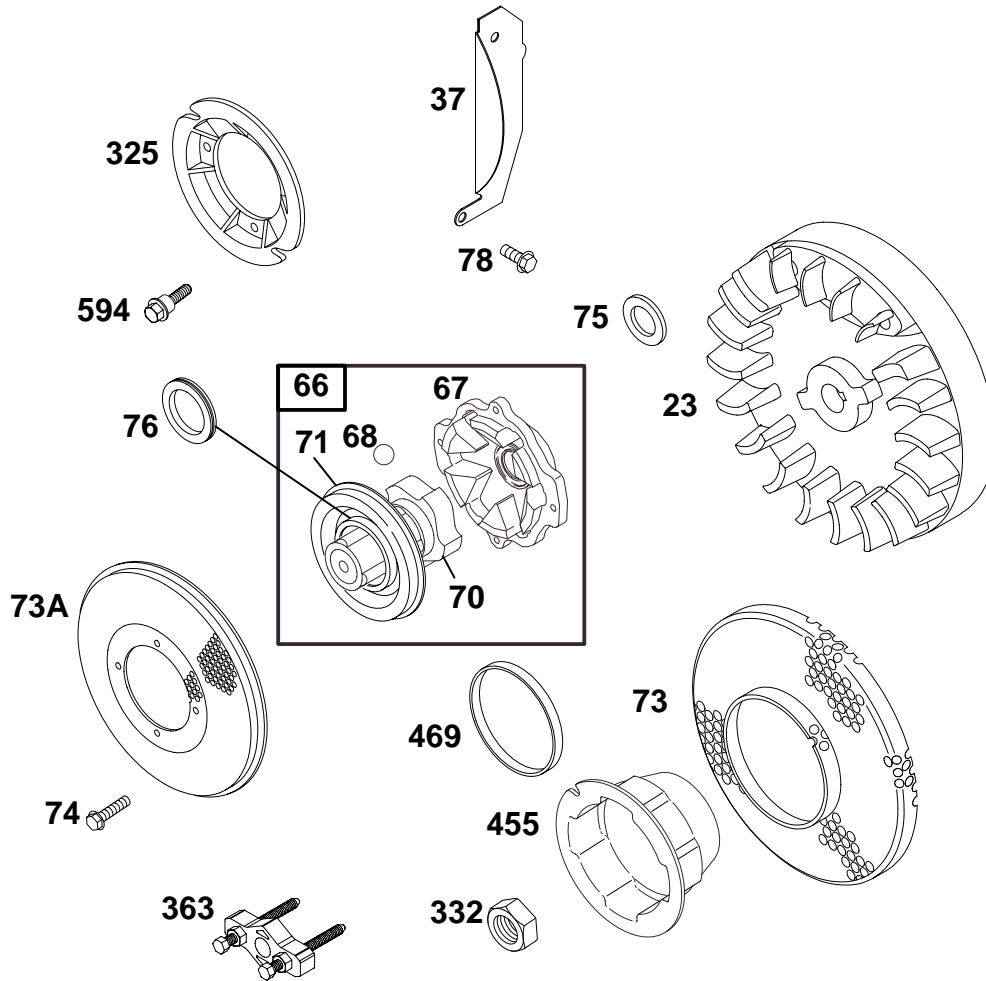


REF. NO.	PART NO.	DESCRIPTION	REF. NO.	PART NO.	DESCRIPTION	REF. NO.	PART NO.	DESCRIPTION
81	691179	Muffler Screw Lock	669	690427	Muffler Guard Bracket	832	490571	Muffler Guard
298	220859	Muffler/Elbow Locknut	669A	691194	Muffler Guard Bracket			Used on Type No(s). 1229.
300	691360	Exhaust Muffler	676	393756	Muffler Deflector	832A	690789	Muffler Guard
300A	493288	Exhaust Muffler	676A	397931	Muffler Deflector	836	690367	Screw (Muffler Guard)
346	94896	Screw (Spark Arrester)	676B	393760	Muffler Deflector	836A	94874	Screw (Muffler Guard)
613	94042	Screw (Exhaust Muffler)	676C	396548	Muffler Deflector	864	690776	Muffler Adapter
613A	692336	Screw (Exhaust Muffler)	677	94896	Screw (Muffler Deflector)	883	★691314	Exhaust Gasket
648	94896	Screw (Muffler Guard Bracket)	686	691186	Washer (Muffler Guard Bracket)	883A	★272252	Exhaust Gasket
						994	398067	Spark Arrester

★ Included in Engine Gasket Set—Ref. No. 358
 ● Included in Carburetor Overhaul Kit—Ref. No. 121

∅ Included in Valve Overhaul Gasket Set—Ref. No. 1095

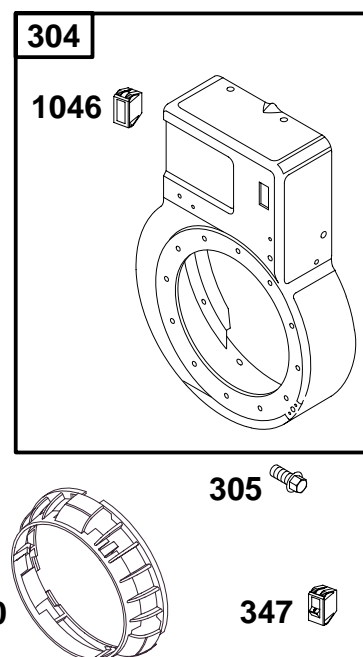
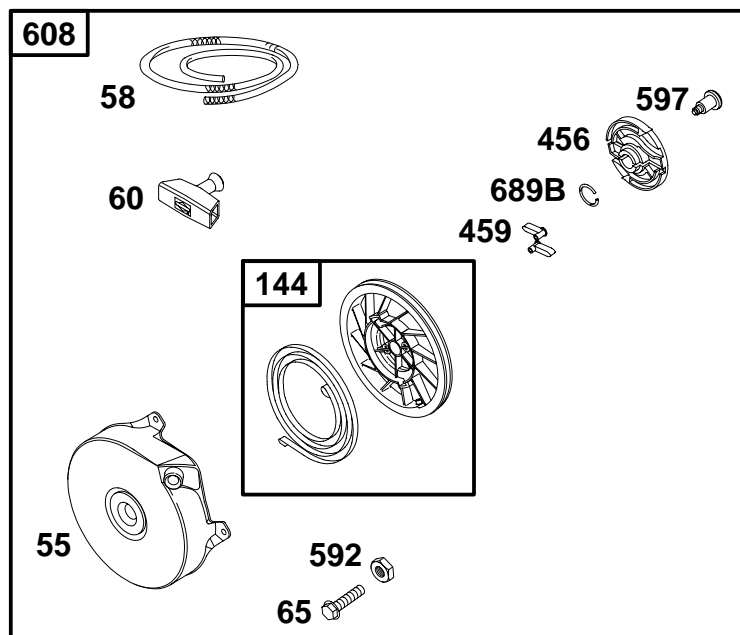
92200 to 92299



REF. NO.	PART NO.	DESCRIPTION	REF. NO.	PART NO.	DESCRIPTION	REF. NO.	PART NO.	DESCRIPTION
23	690843	Flywheel — Note — 495046 Flywheel Used on Type No(s). 0135, 1235. 496893 Flywheel Used on Type No(s). 0133, 0138, 0141, 0142, 1238, 1241, 1242.	70	298799	Clutch Ratchet	325	690590	Starter Rope Pulley
37	690463	Flywheel Guard	71	691359	Ratchet Cover	332	94877	Nut (Flywheel)
66	399671	Starter Clutch (Used Before Code Date 97060600).	73	694018	Rotating Screen (Used After Code Date 97060500).	363	19069	Flywheel Puller
67	394897	Clutch Housing	73A	221661	Rotating Screen (Used Before Code Date 97060600).	455	691236	Flywheel Cup
68	63770	Clutch Ball	74	93758	Screw (Rotating Screen)	469	694420	Rotating Trim Ring Used on Type No(s). 1007, 1008. 1241, 1243, 1245, 1237.
			75	223047	Washer (Flywheel)	594	94928	Screw (Starter Rope Pulley) Used on Type No(s). 0007, 0122, 0137.
			76	68238	Ratchet Seal			
			78	690364	Screw (Flywheel Guard)			

★ Included in Engine Gasket Set—Ref. No. 358
● Included in Carburetor Overhaul Kit—Ref. No. 121

∅ Included in Valve Overhaul Gasket Set—Ref. No. 1095



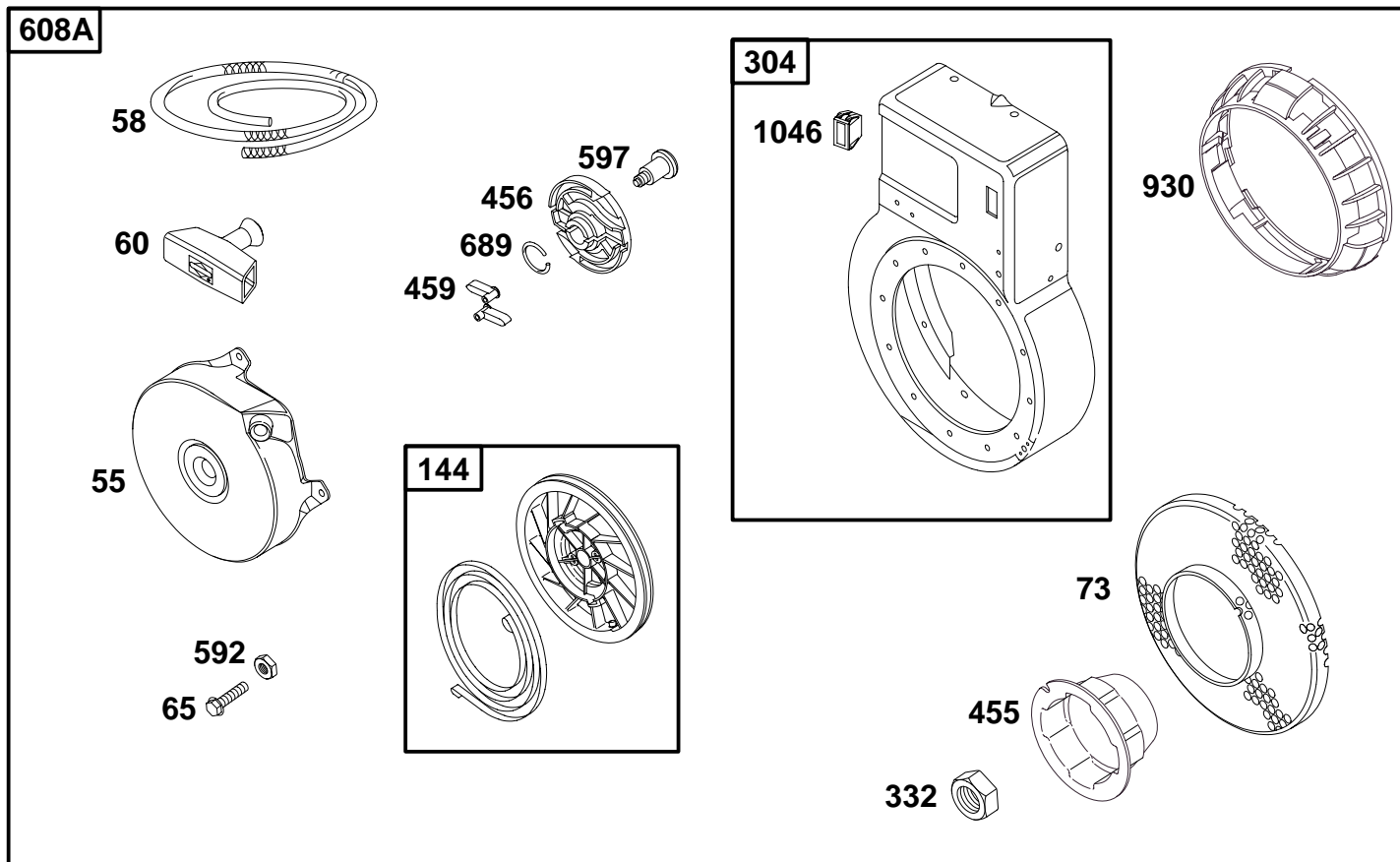
1036 EMISSIONS LABEL

REF. NO.	PART NO.	DESCRIPTION	REF. NO.	PART NO.	DESCRIPTION	REF. NO.	PART NO.	DESCRIPTION
55	692144	Rewind Starter Housing	592	94908	Nut (Rewind Starter)	1036	694421	Emissions Label (Used After Code Date 98123100).
58	280399	Starter Rope	597	94943	Screw (Pawl Friction Plate)			Note
60	281101	Starter Rope Grip	608	690101	Rewind Starter (Used After Code Date 97060500).			499329 Emissions Label (Used Before Code Date 99010100 and After Code Date 97063000).
65	94904	Screw (Rewind Starter)			Note			499328 Emissions Label (Used Before Code Date 97070100).
144	499901	Pulley/ Spring Assembly			499706 Rewind Starter (Used After Code Date 97060500). Used on Type No(s). 0800, 1237, 1241, 1246.			
304	692622	Blower Housing	689B	263073	Friction Spring	1046	691337	Blower Housing Plug
305	94786	Screw (Blower Housing)	930	691348	Rewind Guard			
347	691396	Rocker Switch						
456	281503	Pawl Friction Plate						
459	281505	Ratchet Pawl						

★ Included in Engine Gasket Set—Ref. No. 358
 ● Included in Carburetor Overhaul Kit—Ref. No. 121

∅ Included in Valve Overhaul Gasket Set—Ref. No. 1095

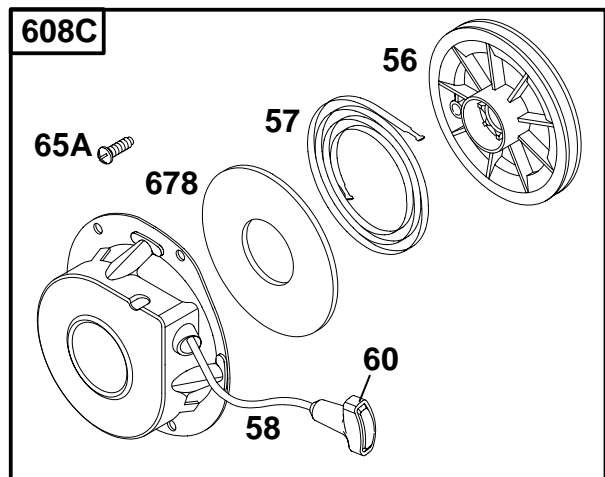
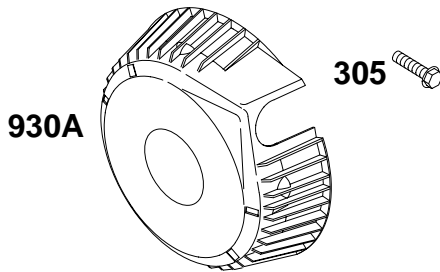
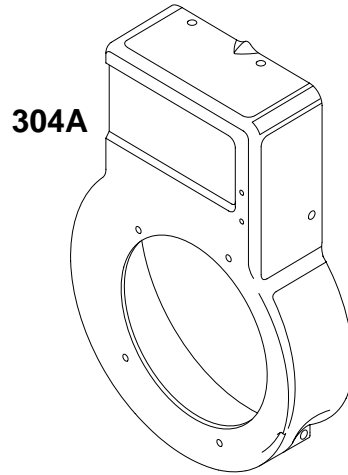
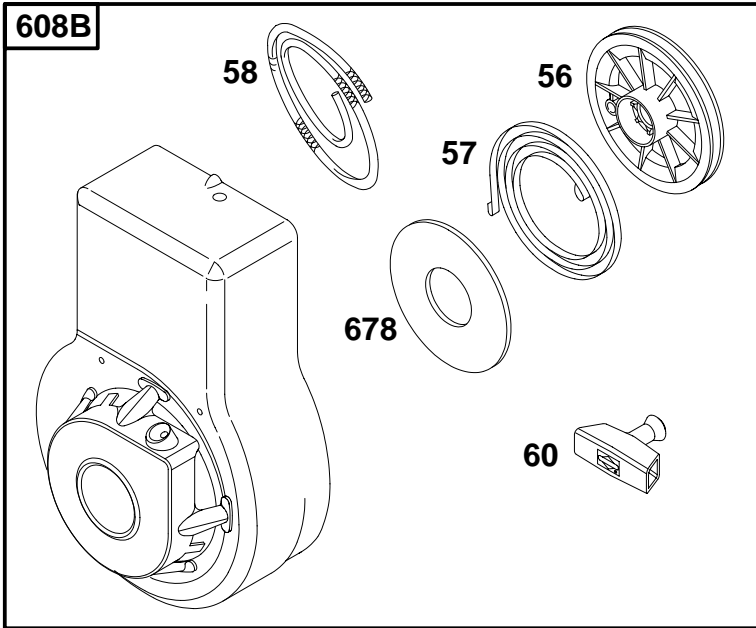
92200 to 92299



REF. NO.	PART NO.	DESCRIPTION	REF. NO.	PART NO.	DESCRIPTION	REF. NO.	PART NO.	DESCRIPTION
55	692144	Rewind Starter Housing	304	692622	Blower Housing	597	94943	Screw (Pawl Friction Plate)
58	280399	Starter Rope	332	94877	Nut (Flywheel)	608A	690098	Rewind Starter
60	281101	Starter Rope Grip	456	281503	Pawl Friction Plate	689	263073	Friction Spring
65	94904	Screw (Rewind Starter)	459	281505	Ratchet Pawl	930	691348	Rewind Guard
73	691235	Rotating Screen	455	691236	Flywheel Cup	1046	691337	Blower Housing Plug
144	499901	Pulley/ Spring Assembly	592	94908	Nut (Rewind Starter)			

★ Included in Engine Gasket Set—Ref. No. 358
 ● Included in Carburetor Overhaul Kit—Ref. No. 121

∅ Included in Valve Overhaul Gasket Set—Ref. No. 1095

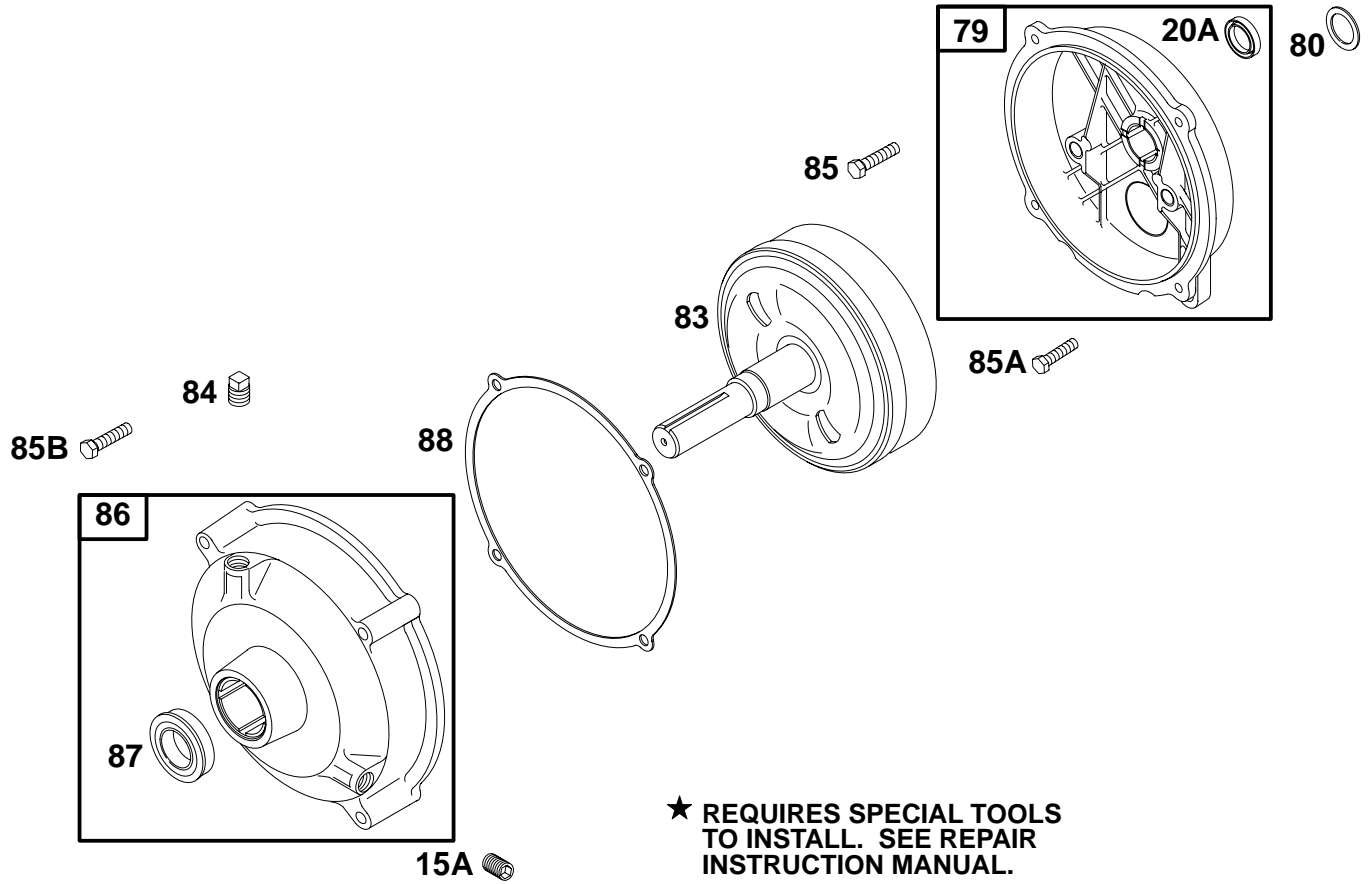


REF. NO.	PART NO.	DESCRIPTION	REF. NO.	PART NO.	DESCRIPTION	REF. NO.	PART NO.	DESCRIPTION
56	280439	Starter Pulley	304A	693004	Blower Housing	608B		Rewind Starter (For Replacement Rewind Starter Use 608A, Previous Page)
57	490179	Rewind Starter Spring			Note	608C	494068	Rewind Starter
58	280406	Starter Rope			690665 Blower Housing Used on Type No(s). 0007, 0122, 0137.	678	490817	Rewind Spacer
		Note	305	692198	Screw (Blower Housing)	930A	281279	Rewind Guard
		280399 Starter Rope (Cut to Required Length)						
60	281101	Starter Rope Grip						
65A	690338	Screw (Rewind Starter)						

★ Included in Engine Gasket Set—Ref. No. 358
 ● Included in Carburetor Overhaul Kit—Ref. No. 121

∅ Included in Valve Overhaul Gasket Set—Ref. No. 1095

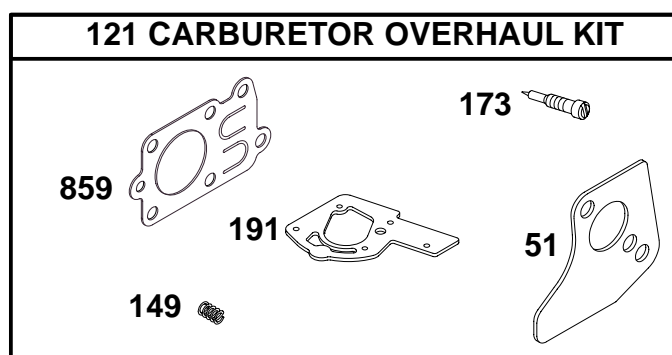
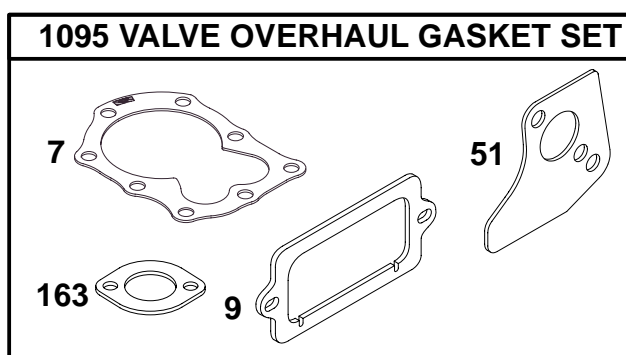
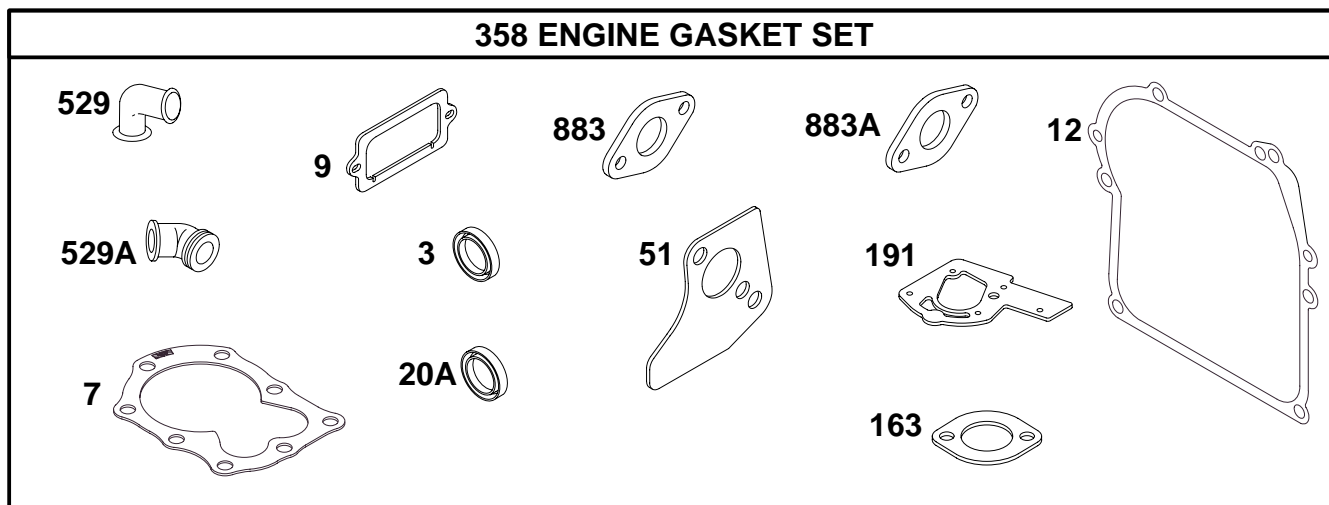
92200 to 92299



REF. NO.	PART NO.	DESCRIPTION	REF. NO.	PART NO.	DESCRIPTION	REF. NO.	PART NO.	DESCRIPTION
15A	94886	Oil Drain Plug	85	690369	Screw (Gear Reduction Case 7/8" Long)	85B	691117	Screw (Gear Cover to Gear Reducer)
20A	★299819	Oil Seal (PTO Side)	85A	691122	Screw (Gear Reduction Case 1 1/2" Long)	86	690608	Gear Cover Assembly
79	690605	Gear Reduction Case				87	19011	Gear Reduction Oil Seal
80	27667	Gear Case Gasket				88	27313	Gear Reduction Cover Gasket
83	690374	Auxiliary Drive Shaft						
84	691121	Breather Plug						

★ Included in Engine Gasket Set—Ref. No. 358
● Included in Carburetor Overhaul Kit—Ref. No. 121

Ø Included in Valve Overhaul Gasket Set—Ref. No. 1095



REF. NO.	PART NO.	DESCRIPTION	REF. NO.	PART NO.	DESCRIPTION	REF. NO.	PART NO.	DESCRIPTION
3	★299819	Oil Seal (Magneto Side)	20A	★299819	Oil Seal (PTO Side)(For Use With Plain Bearing Cover)	529	★67838	Grommet
7	★∅272694	Cylinder Head Gasket (Used After Code Date 96073100). ————— Note ————— ★272536 Cylinder Head Gasket (Used Before Code Date 96080100).	51	★∅273113	Intake Gasket	529A	★66578	Grommet
9	★∅27549	Breather Gasket	121	495606	Carburetor Overhaul Kit	859	●272538	Pump Diaphragm
12	★270833	Crankcase Gasket (.015" Thick, Std.) ————— Note ————— ★270895 Crankcase Gasket (.005" Thick) ★270896 Crankcase Gasket (.009" Thick)	149	●26336	Spring-Needle Valve	883	★691314	Exhaust Gasket
			163	★∅271935	Air Cleaner Gasket	883A	★272252	Exhaust Gasket
			173	●231533	Idle Mixture Valve	1095	498694	Gasket Set (Valve Overhaul) ————— Note ————— 498524 Gasket Set (Valve Overhaul) (Used Before Code Date 96080100).
			191	★●272489	Fuel Tank Gasket (Used After Code Date 92090600). ————— Note ————— ★●272996 Fuel Tank Gasket (Used Before Code Date 92090700).			
			358	495605	Engine Gasket Set			

★ Included in Engine Gasket Set-Ref. No. 358
● Included in Carburetor Overhaul Kit-Ref. No. 121

∅ Included in Valve Overhaul Gasket Set-Ref. No. 1095