

Illustrated Parts List

Model Series

82300 to 82399

TYPE NUMBERS

0111, 0126,
0130 through 0165,
0526 through 0532,
0537, 0538, 0548,
0549, 2528, 2535,
2537, 2538,
2547 through 2549,
4001 through 4008,
4035, 4037, 4049.

TO FIND

THE CORRECT NUMBER OF THE PART YOU NEED: FOLLOW THE INSTRUCTIONS BELOW

- A. Refer to Engine Model, Type and Code Number that is stamped on the blower housing of engine. Engine type numbers such as 0123 01 are listed only as 0123 in most instances. The two digits (01 or 02, etc.) to the right of the space may be required for more accurate parts identification in some instances. Select the Illustrated Parts List covering the correct Model Series and Type Number.
- B. Refer to the Illustrations and compare the original part with Illustration. The number next to the illustration is the Reference Number. Assemblies include all parts shown in frames. All parts shown in assembly frames having individual reference numbers can be purchased separately.
- C. After the Reference Number has been identified, refer to the Numerical text, where Reference and Primary Part Number are listed. **THE PRIMARY PART IS USED ON ALL TYPE NUMBERS EXCEPT THOSE TYPE NUMBERS UNDER "NOTE."**
- D. If a "Note" appears below the Primary Part Number, it means that this part differs from the Primary Part for certain types. If your Type number is listed under "Note," order the part referred to at the "Note."
- E. If your Engine Type Number does not appear after any part number listed under "Note," use the Primary Part Number.
- F. For Engine Type Numbers not covered by this book, check other Parts Lists having the same engine model or contact your source of supply.

PRINTED IN U.S.A.

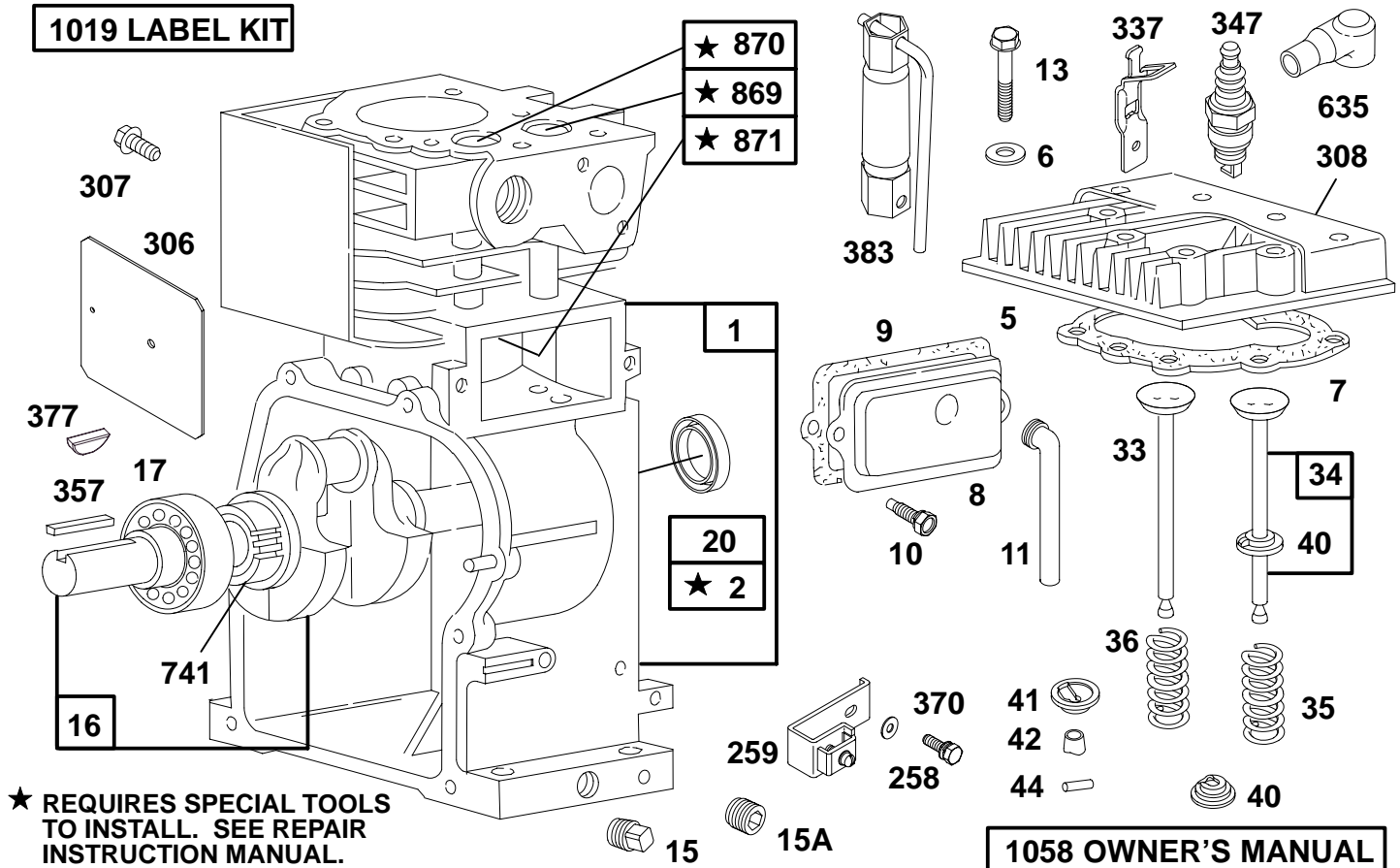
COPYRIGHT©

BRIGGS & STRATTON

®

82300 to 82399

1019 LABEL KIT



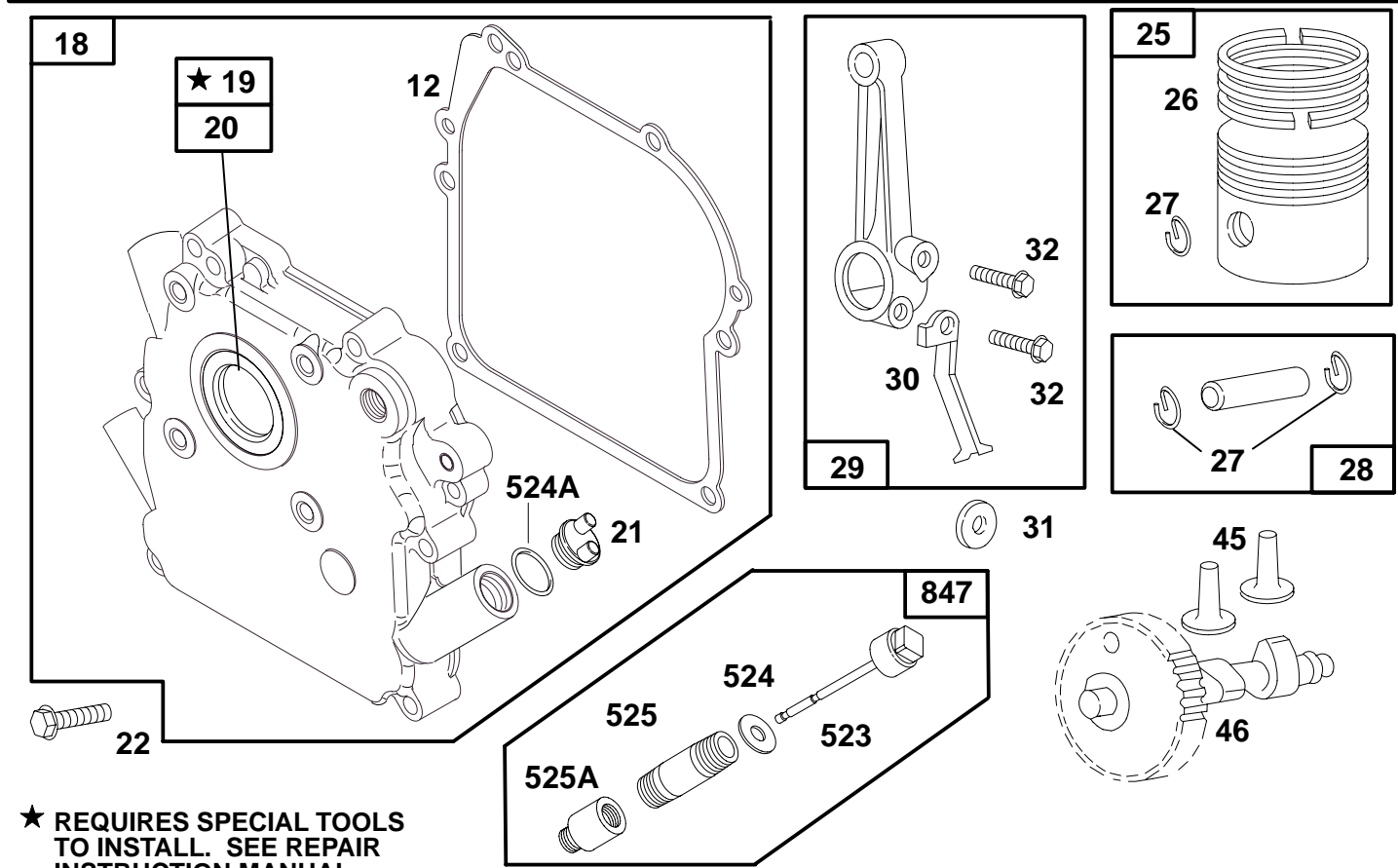
★ REQUIRES SPECIAL TOOLS TO INSTALL. SEE REPAIR INSTRUCTION MANUAL.

1058 OWNER'S MANUAL

REF. NO.	PART NO.	DESCRIPTION	REF. NO.	PART NO.	DESCRIPTION	REF. NO.	PART NO.	DESCRIPTION
1	395567	Cylinder Assembly	33		Valve-Exhaust SEE LAST PAGES	347	220824	Switch-Stop
2	399269	Bushing	34	296677	Valve-Intake	357	91539	Key-Drive Pulley (3/16" Square)
		Note Requires Special Tools For Installation.	35	260552	Spring-Valve	370	66432	Washer-Plain
5	210812	Head-Cylinder	36		Spring-Valve SEE LAST PAGES	377	93065	Key-Woodruff
6	22963	Washer	40	93312	Retainer-Valve	383	89838	Wrench-Spark Plug
7		Gasket-Cylinder Head SEE LAST PAGES	41		Retainer-Valve SEE LAST PAGES	635	66538	Boot-Spark Plug
8	294178	Breather Assembly	42	230127	Keeper-Valve Note	741		Gear-Timing SEE LAST PAGES
9	★27549	Gasket-Breather			23184 Keeper-Valve Used on Type No(s). 0133.	869		Seat-Valve SEE LAST PAGES
10	94621	Screw-Breather Mtg.	44	230126	Pin-Retainer Note	870	211291	Seat-Valve (Exhaust) Note
11	271489	Tube-Breather			23187 Pin-Retainer Used on Type No(s). 0133.			For Options, See Repair Manual.
13	94547	Screw-Cylinder Head Note	258	93062	Screw-Sem	871	262001	Guide-Bushing Note
		93583 Stud-Cylinder Used on Type No(s). 4035.	259	294502	Bracket-Casing			63709 Guide-Bushing (Replacement Only) See Repair Manual.
15	91249	Plug-Oil Drain	306	220478	Shield-Cylinder	1019	491075	Label Kit
15A	93448	Plug-Oil Drain	307	93490	Screw-Sem	1058	27842	Owner's Manual
16		Crankshaft SEE LAST PAGES	308	223390	Cover-Cylinder Head			
17		Bearing-Ball SEE LAST PAGES	337		Plug-Spark SEE LAST PAGES			

★ Included in Gasket Set-Part No. 495602.
● Included in Carburetor Kit-See Ref. 121.

82300 to 82399

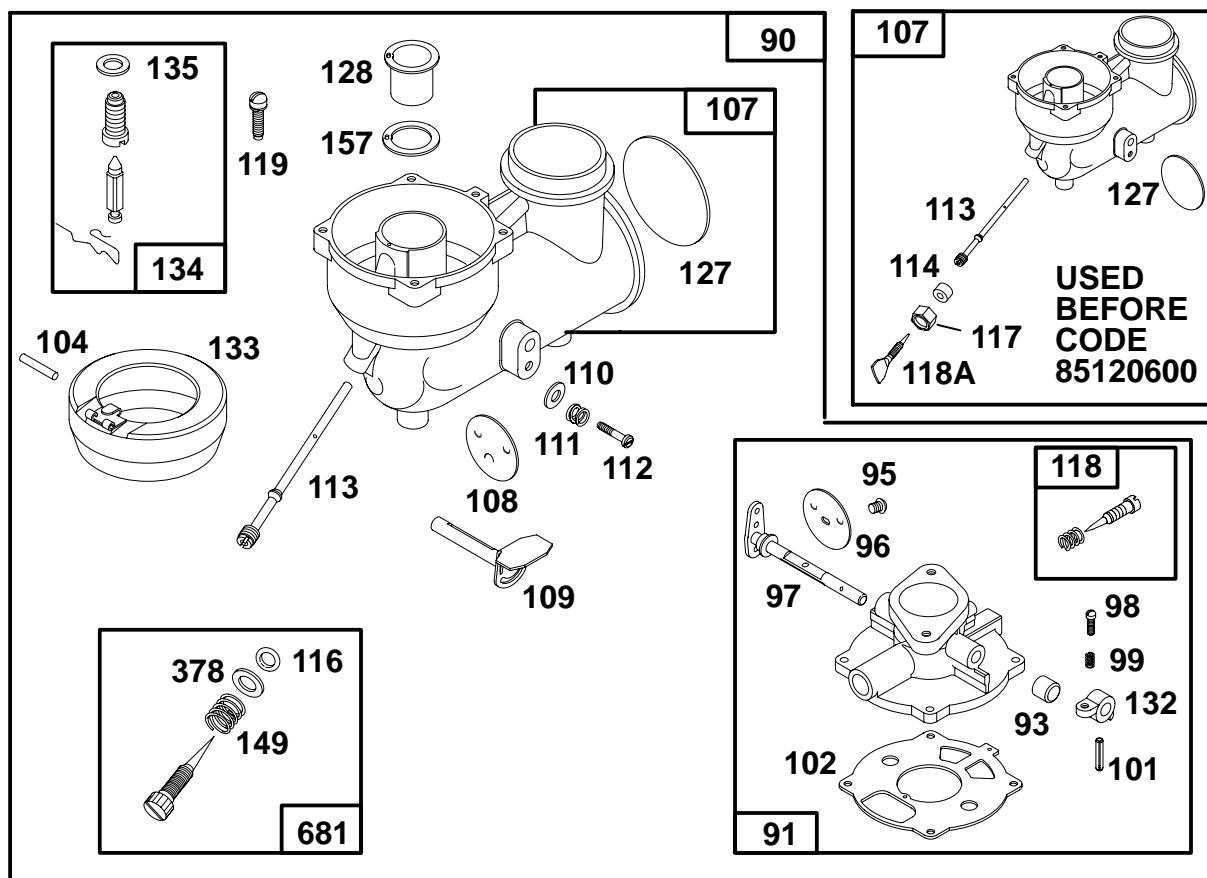


★ **REQUIRES SPECIAL TOOLS TO INSTALL. SEE REPAIR INSTRUCTION MANUAL.**

REF. NO.	PART NO.	DESCRIPTION	REF. NO.	PART NO.	DESCRIPTION	REF. NO.	PART NO.	DESCRIPTION
18	496674	Cover-Crankcase (Used After Code Date 93071800).						
	395259	Cover-Crankcase (Used Before Code Date 93071900). Used on Model Series 82331 and 82332. For Exceptions, see 298511.						
	Note							
	394909	Cover-Crankcase. Used on Model Series 82351 and 82352. For Exceptions, see 294307.						
	294307	Cover-Crankcase Used on Type No(s). 0548, 0549, 2547, 2548, 2549, 4049.	19		298511 Cover-Crankcase Used on Type No(s). 0141, 0142, 0148, 0152, 0153, 0526, 0527, 0528, 0529, 0530, 0531, 0532, 0537, 0538, 2528, 2535, 2537, 2538. Bushing SEE LAST PAGES	25	295455	Piston Assy. (Std.)
			21	66768	Plug-Oil Fill			295456 Piston Assy. (.010" O.S.)
			22	94607	Screw-Hex. Hd.			295457 Piston Assy. (.020" O.S.)
					Note			
					92747 Screw-Gear Cover Used in Two Top Holes to Mount Cover. Used on Model Series 82351 and 82352.			
						26		295458 Piston Assy. (.030" O.S.) Ring Set SEE LAST PAGES
						27	26026	Lock-Piston Pin
						28	298909	Pin-Piston (Standard)
								298908 Pin-Piston (.005" O.S.)
						29	294367	Rod-Connecting
								296079 Rod-Conn. (.020" Undersize)
						30	220670	Dipper-Conn.-Rod
						31	222282	Washer-Flat
						32	94404	Screw-Conn-Rod
						45	230173	Tappet-Valve
						46	493747	Gear-Cam
						523	297357	Cap-Oil Fill
						524	65304	Gasket-Cap
						524A	271485	Ring-Oil Ret.
						525	91258	Nipple-Fill (2-1/2" Long)
						525A	394884	Adapter-Oil Fill
						847	493955	Tube Assy.-Oil

★ Included in Gasket Set-Part No. 495602.
● Included in Carburetor Kit-See Ref. 121.

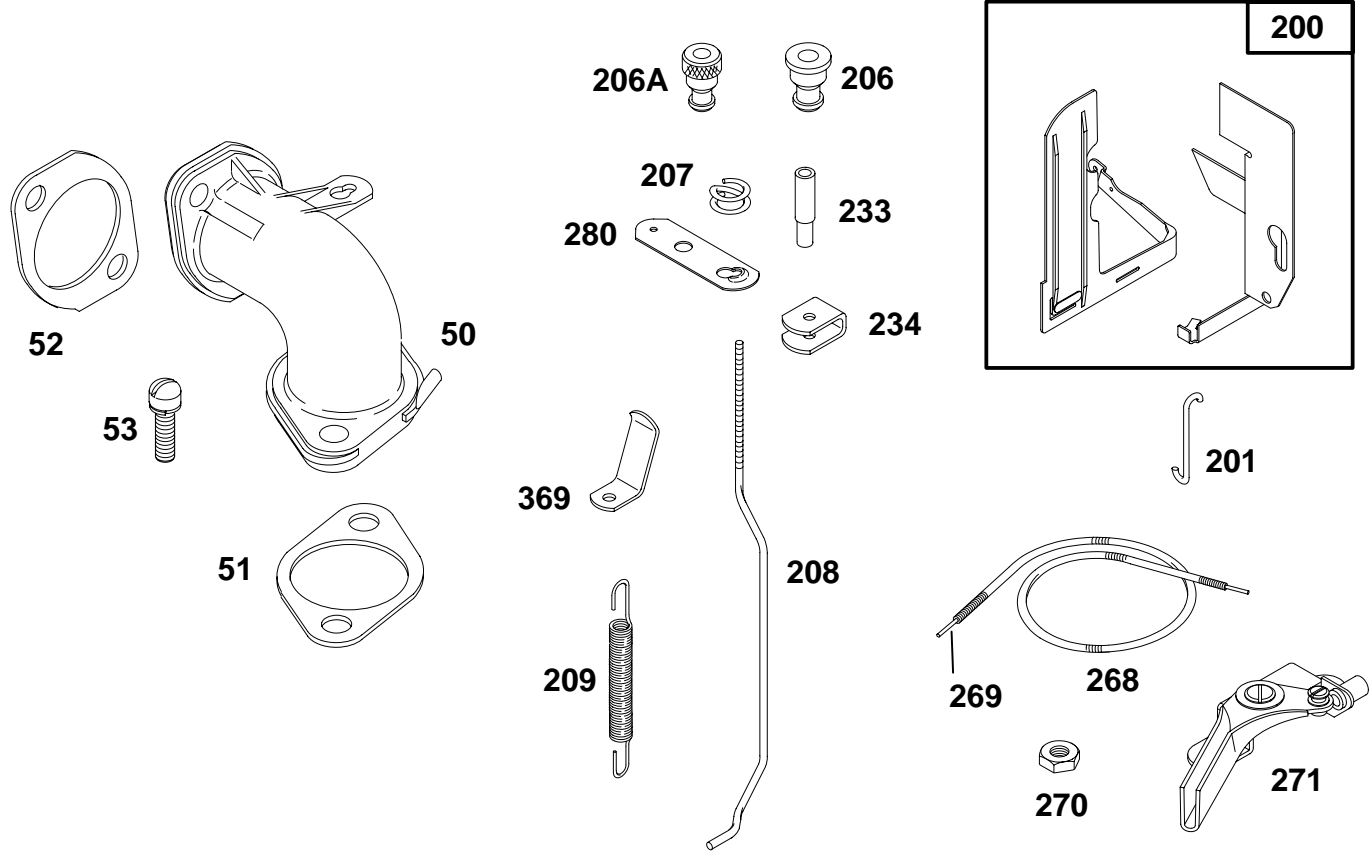
82300 to 82399



REF. NO.	PART NO.	DESCRIPTION	REF. NO.	PART NO.	DESCRIPTION	REF. NO.	PART NO.	DESCRIPTION
90	295607	Carburetor (Std. Manual Choke) Note 295560 Carburetor (Kerosene) Used on Type No(s). 0132, 0141, 0142, 0155, 0156, 0157, 0526, 0529, 0531, 2538.	107	397870	Body Assy.— Lower (Used After Code Date 85120500). Note 295617 Body Assy.— Lower (Used Before Code Date 85120600).	116	280203	Packing—Valve (Used After Code Date 85120500).
91	295608	Body Assembly—Upper	108	220897	Valve—Choke	117	●23227	Nut—Packing (Used Before Code Date 85120600).
93	23230	Bushing—Shaft	109	294874	Shaft—Choke	118	●292681	Valve—Idle Adjustment
95	93499	Screw—Sem	110	220899	Washer	118A	●230005	Valve—Needle (Used Before Code Date 85120600).
96	222972	Valve—Throttle	111	26229	Spring—Choke Lever	119	93347	Screw—Sem
97	295436	Shaft—Throttle	112	23270	Screw—Choke Lever	127	220352	Plug—Welch
98	91920	Screw—Fill. Hd.	113	●231359	Nozzle—Carburetor (Used After Code Date 85120500). Note ●23222 Nozzle—Carb. (Used Before Code Date 85120600).	128	210811	Venturi—Carburetor
99	●26157	Spring—Idle Valve	114	●68887	Packing—Valve (Used Before Code Date 85120600).	132	212904	Stop—Throttle
101	93043	Pin—Throttle Lever				133	293477	Float—Carburetor
102	●27917	Gasket—Carb. Body				134	●293478	Valve—Needle
104	●23114	Pin—Float Hinge				135	●68877	Gasket—Valve Seat
						149	261357	Spring—Needle Valve (Used After Code Date 85120500).
						157	●27840	Gasket—Venturi
						378	●22032	Washer
						681	●399619	Valve—Needle SEE LAST PAGES

★ Included in Gasket Set—Part No. 495602.
● Included in Carburetor Kit—See Ref. 121.

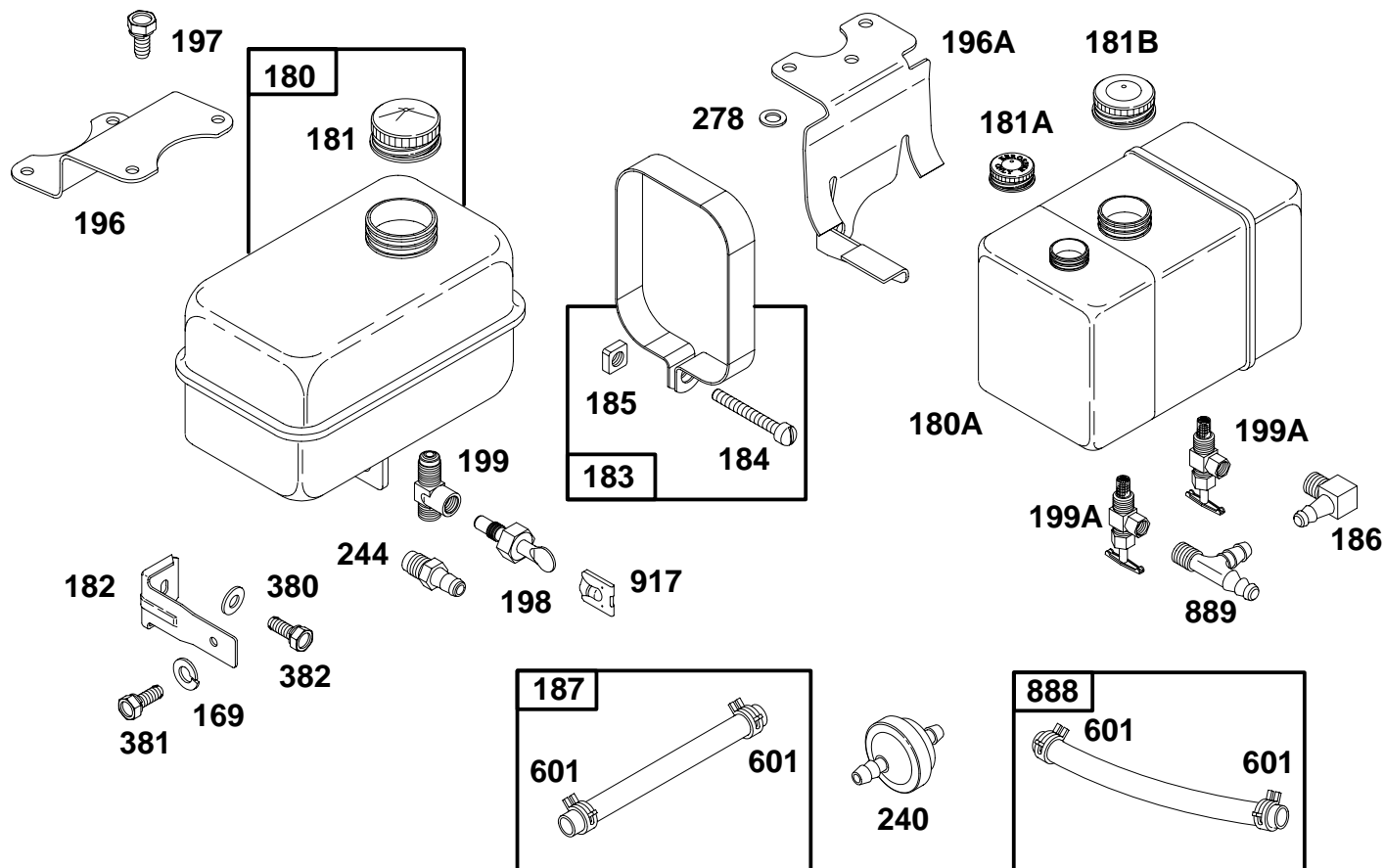
82300 to 82399



REF. NO.	PART NO.	DESCRIPTION	REF. NO.	PART NO.	DESCRIPTION	REF. NO.	PART NO.	DESCRIPTION
50	210810	Manifold-Intake	209	26925	Spring-Governor	269	26099	Wire-Control (54" Long)
51	★●68987	Gasket-Carb. Mtg.	233	230253	Stop-Rod	<p align="center">Note</p> <p>If Longer Wire is Needed, Specify Length in Inches; if a Shorter Wire is Needed, Order and Cut to Required Length.</p>		
52	★27355	Gasket-Intake	234	220730	Clip-Rod			
53	94442	Screw-Sem	268	66986	Casing-Wire (48" Long)	270	63426	Locknut-Casing
200	490528	Blade-Governor	<p align="center">Note</p> <p>If Longer Casing is Needed, Specify Length in Inches; if a Shorter Casing is Needed, Order and Cut to Required Length.</p>		271	290568	Lever-Control	
201	26235	Link			278	220863	Washer	
206	230944	Guide-Rod	<p align="center">Note</p> <p>Used on Type No(s). 0135, 0151, 0164, 4005.</p>		280	223236	Bracket-Rod	
206A	230149	Speed Adjuster			369	220705	Spring-Rod	
207	26855	Spring-Control Rod						
208	231345	Rod-Control						

★ Included in Gasket Set-Part No. 495602.
● Included in Carburetor Kit-See Ref. 121.

82300 to 82399



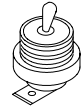
REF. NO.	PART NO.	DESCRIPTION	REF. NO.	PART NO.	DESCRIPTION	REF. NO.	PART NO.	DESCRIPTION		
169	90832	Washer-Lock	187	296004	Line-Fuel (Flexible) (23" Long)	199A	392882	Valve-Shut Off (Kerosene-Gasoline)		
180	292945	Tank-Fuel (3 Quart)				240	298090	Filter-Fuel		
		Note			(For Kerosene Line, Cut to Length)	244	230318	Connector-Fuel Line		
		292944 Tank-Fuel (2 Quart)			Note	278	93083	Washer (Between Support and Cylinder Head)		
		Used on Type No(s). 0135.			393815 Line-Fuel (11-1/4" Long)	380	62199	Washer		
180A	392911	Tank-Fuel (3 Quart) (Kerosene-Gasoline)	196	220369	Support-Tank	381	93559	Screw-Sem		
181	393156	Cap-Fuel Tank			Note	382	93158	Screw-Sem		
181A	392886	Cap-Fuel Tank (Small) (Kerosene-Gasoline)			220358 Support-Tank Used on Type No(s). 0135.			Note		
181B	392887	Cap-Fuel Tank (Large) (Kerosene-Gasoline)			220607 Support-Tank Used on Type No(s). 0143.			92636 Screw-Cap Hex. Hd.		
182	220195	Bracket-Fuel Tank	196A	222759	Support-Tank (Kerosene-Gasoline)	601	93053	Clamp-Hose		
183	393181	Strap-Fuel Tank	197	93083	Screw-Sem	888	393891	Line-Fuel (Flexible-Short) (Kerosene-Gasoline)		
184	91257	Screw-Fill. Hd.	198	293934	Valve-Fuel Shut-Off			889	93915	Tee (Kerosene-Gasoline)
185	90970	Nut-Square	199	295896	Outlet-Tank (Includes Strainer) (For Flexible Fuel Line)	917	223271	Handle-Shut-Off Valve		
186	67218	Connector-Fuel Line (For Flexible Fuel Line)								

★ Included in Gasket Set-Part No. 495602.

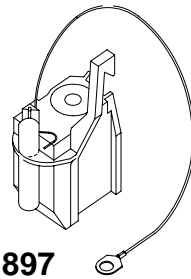
● Included in Carburetor Kit-See Ref. 121.



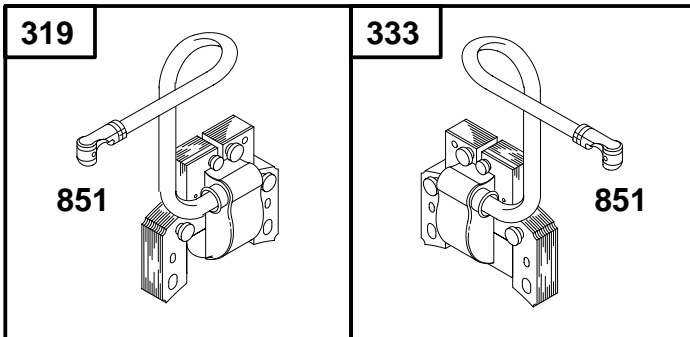
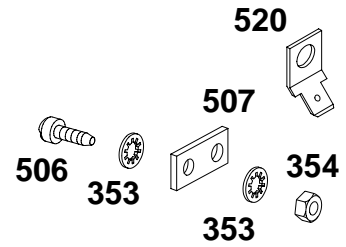
575



575A



897

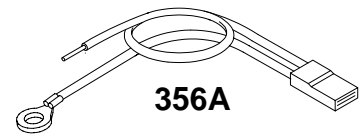


319

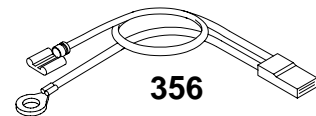
851

333

851



356A



356

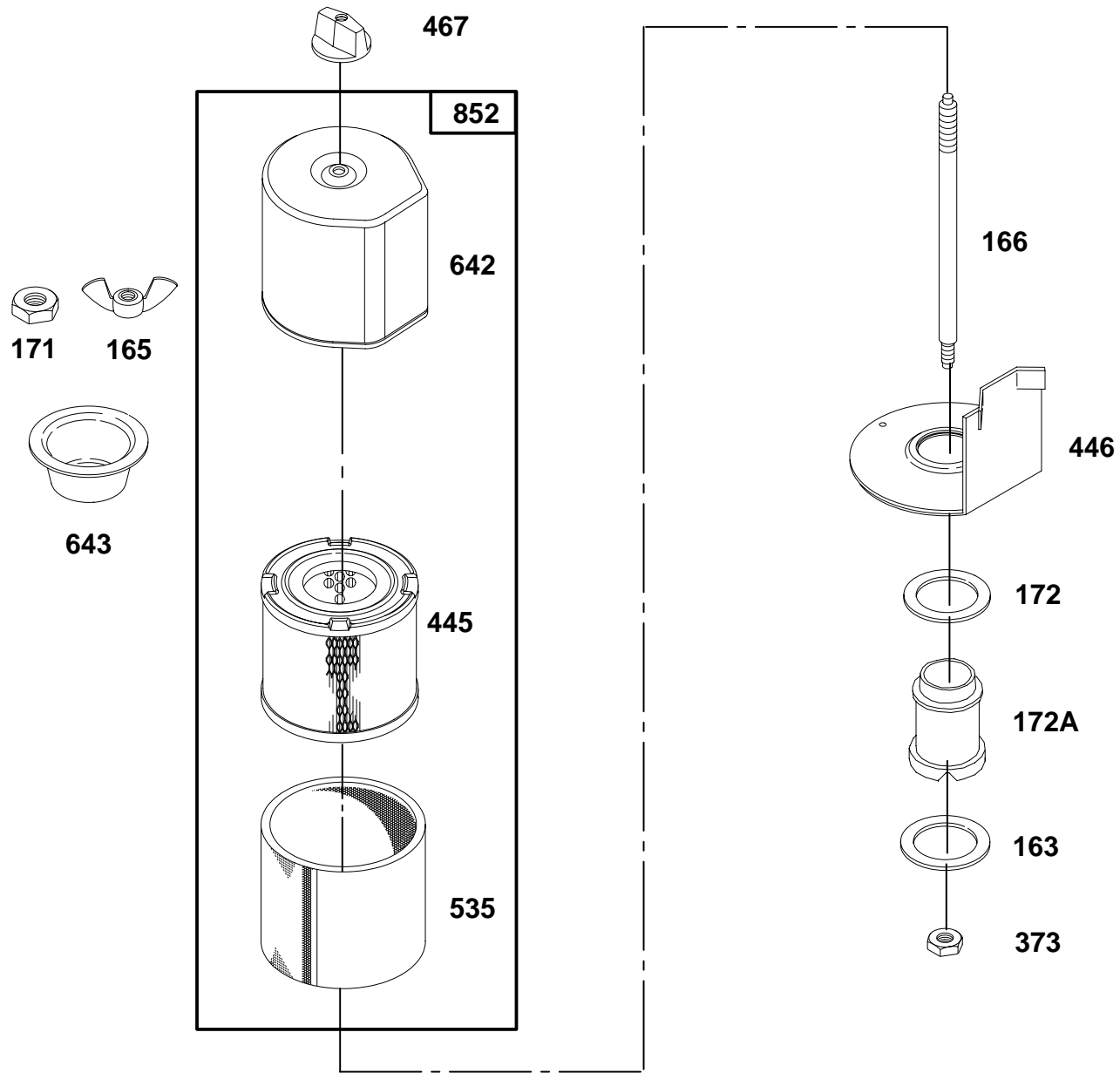


334

REF. NO.	PART NO.	DESCRIPTION	REF. NO.	PART NO.	DESCRIPTION	REF. NO.	PART NO.	DESCRIPTION
319	395488	Armature-Magneto (Less Trigger Coil)	356	398874	Wire-Stop	520	93722	Terminal
333	398593	Armature-Magneto	356A	398808	Wire-Stop (Used Only With Ref. 319 Armature)	575	396691	Switch-Starting
334	93381	Screw-Armature Mounting Sem	506	90200	Screw-Fill. Hd.	575A	397248	Switch-Starting
353	92791	Washer-Lock	507	66895	Insulator	851	221798	Terminal-Cable
354	90576	Nut-Hex.				897	394970	Magnetron® Ignition Kit

★ Included in Gasket Set-Part No. 495602.
 ● Included in Carburetor Kit-See Ref. 121.

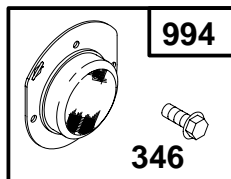
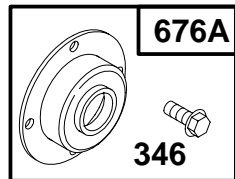
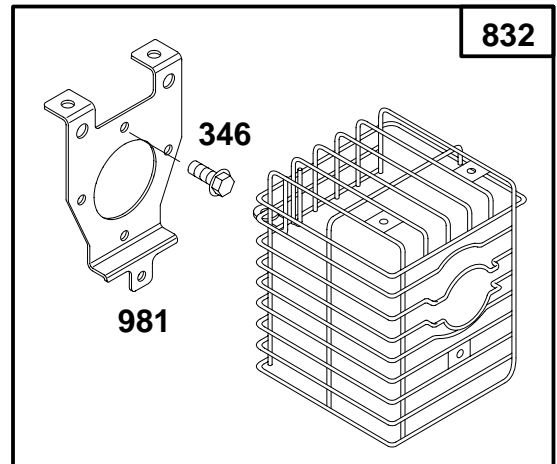
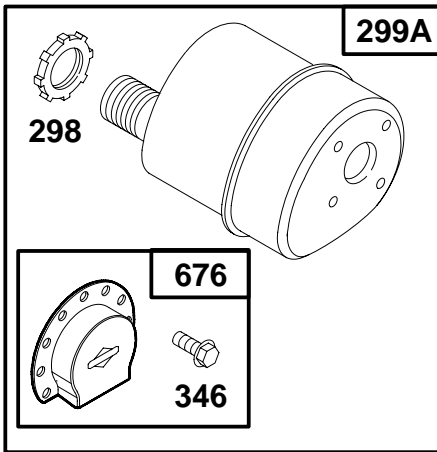
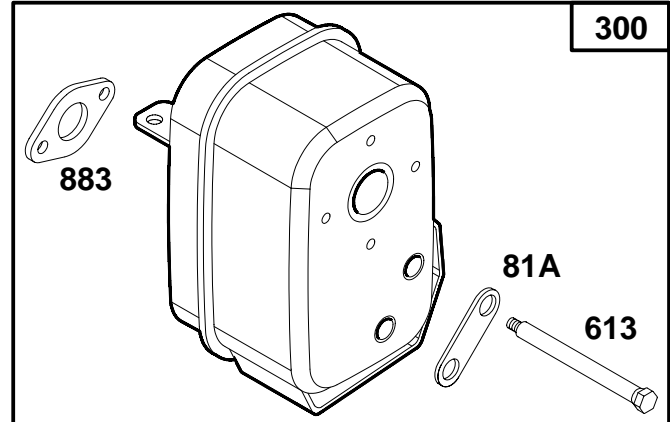
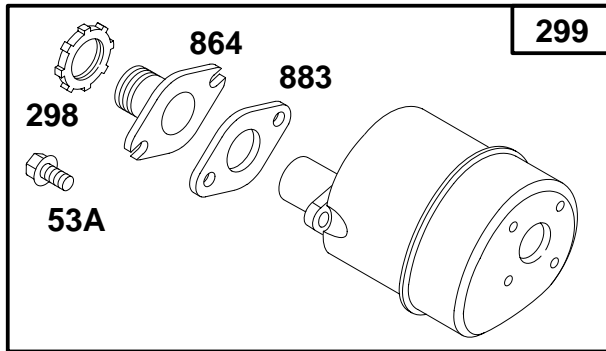
82300 to 82399



REF. NO.	PART NO.	DESCRIPTION	REF. NO.	PART NO.	DESCRIPTION	REF. NO.	PART NO.	DESCRIPTION
163	★271042	Gasket-Air Cleaner	172	271139	Spacer-Air Cleaner	467	212706	Knob
165	93856	Nut-Wing	172A	280213	Spacer-Air Cleaner	535	271466	Filter-Air
166	231314	Stud-Air Cleaner	373	92987	Nut-Hex.	642	223306	Cover-Air Cleaner
171	92987	Nut-Hex.	445	396424	Filter-Air	643	222845	Retainer-Air Filter
			446	395642	Base-Air Cleaner	852	396397	Cleaner-Air

★ Included in Gasket Set-Part No. 495602.
 ● Included in Carburetor Kit-See Ref. 121.

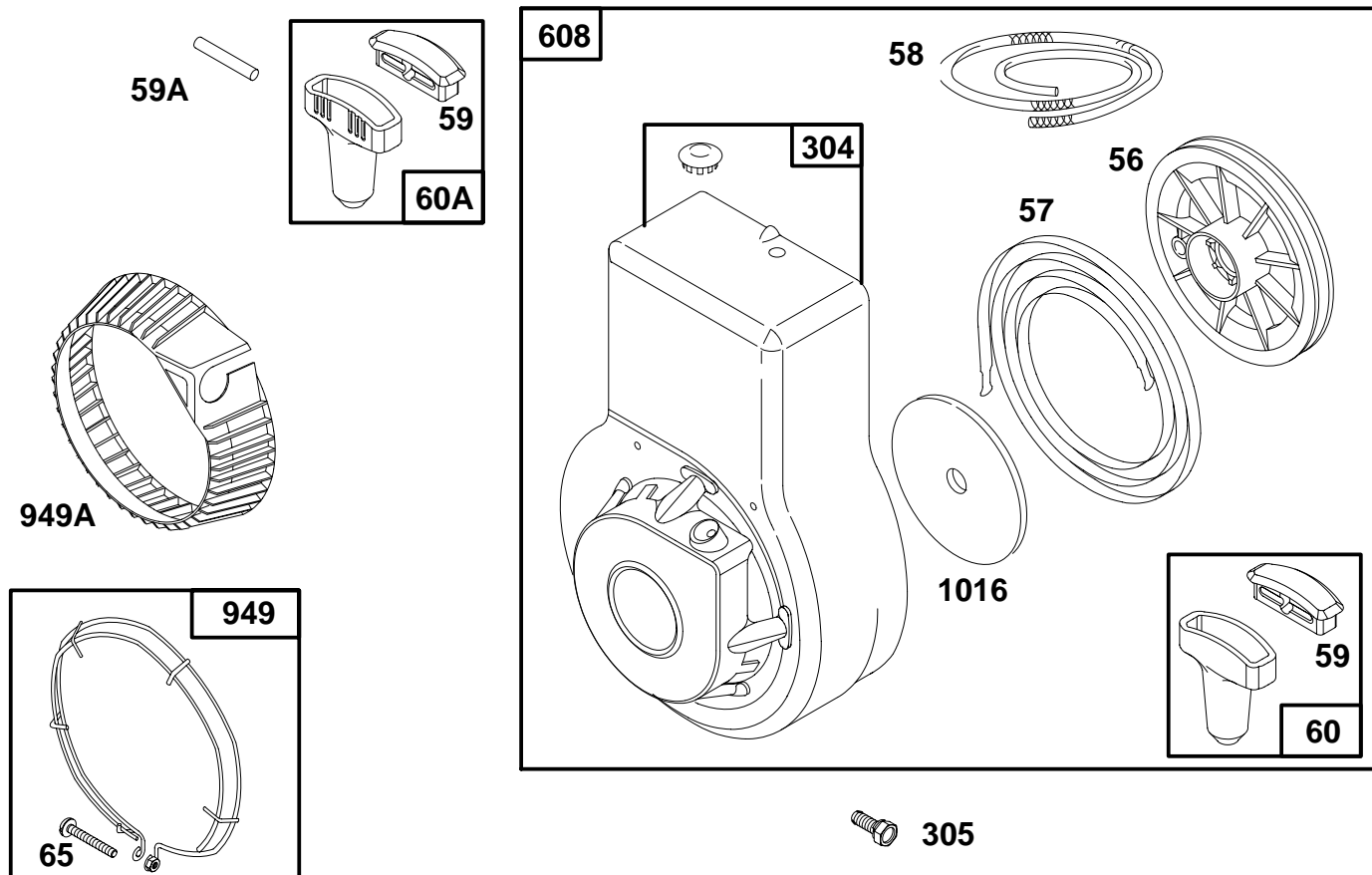
82300 to 82399



REF. NO.	PART NO.	DESCRIPTION	REF. NO.	PART NO.	DESCRIPTION	REF. NO.	PART NO.	DESCRIPTION
53A	94523	Screw-Hex Hd.	299A	392811	Muffler-Exhaust (Lo-Tone) Note 493000 Guard-Muffler Use(s): 93606 Screw (Guard to Muffler Mtg.) 62199 Washer (Guard to Bracket) 93873 Screw (Guard to Bracket Mtg.) 223127 Brace-Muffler Used on Type No(s). 0133.	300	395959	Muffler-Exhaust
81A	223256	Lock-Muffler Screw				346	93705	Screw-Sem
298	220859	Locknut-Muffler				613	94042	Screw-Muffler
299	493288	Muffler-Exhaust				676	393760	Deflector-Muffler
		Note				676A	397931	Deflector-Muffler
		493000 Guard-Muffler				832	398160	Guard-Muffler
		Use(s):				883	★272252	Gasket-Muffler
		94186 Screw (Guard to Muffler Mtg.)				864	492232	Adapter-Muffler
		94153 Screw (Guard to Bracket Mtg.)				981	223395	Bracket-Muffler
		223395 Brace-Muffler Used on Type No(s). 0155.				994	398067	Arrester-Spark

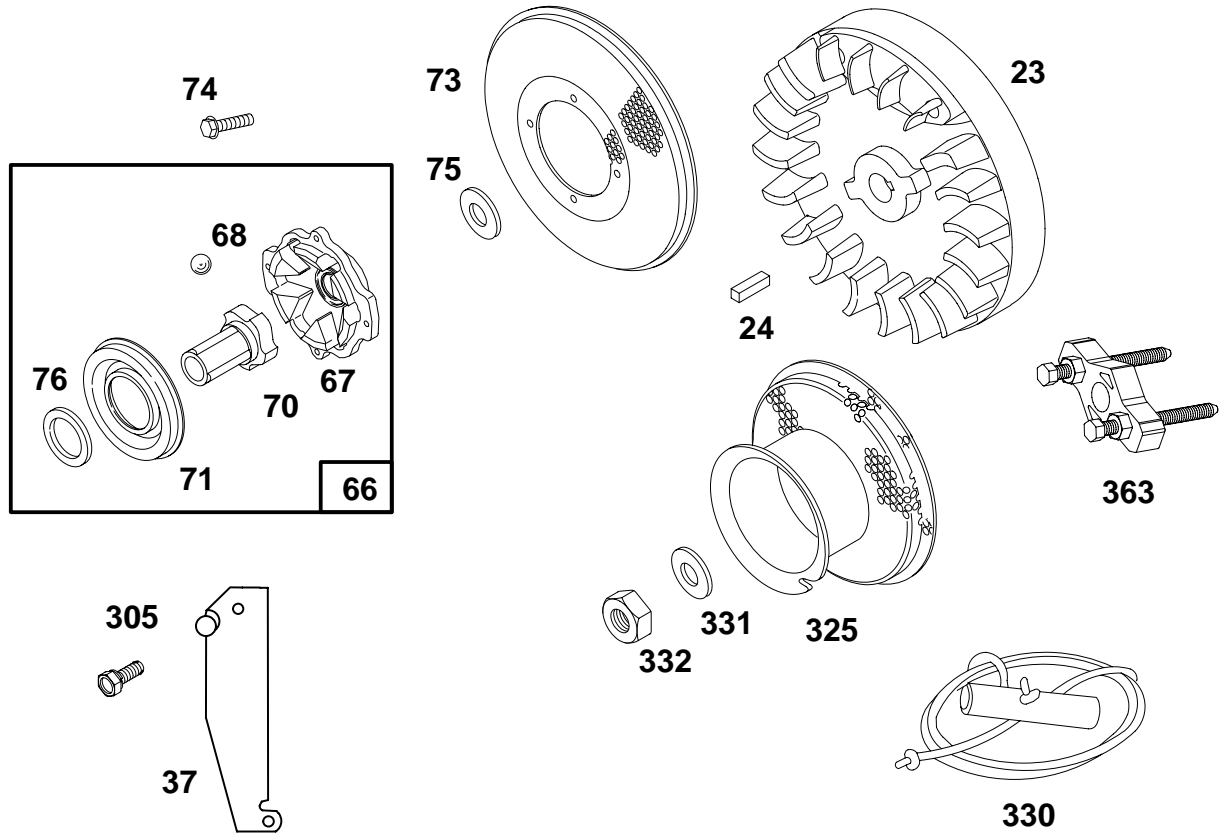
★ Included in Gasket Set-Part No. 495602.
● Included in Carburetor Kit-See Ref. 121.

82300 to 82399



REF. NO.	PART NO.	DESCRIPTION	REF. NO.	PART NO.	DESCRIPTION	REF. NO.	PART NO.	DESCRIPTION
56	280439	Pulley—Starter			398980 Housing—Blower			492162 Starter—Rewind
57	490179	Spring—Rewind Starter			(For Rope and Rewind Starters)			(12 o'clock)
58	66734	Rope—Starter (48–5/8")			Used on Model Series 82331 and 82351.			Used on Type No(s). 0164.
		Note						949 396579 Guard—Finger
		280406 Rope—Starter	305	93158	Screw—Sem	949A	281192	Guard—Finger
		If Longer Rope is Needed, Order and Cut to Required Length.	608	398034	Starter—Rewind (10 o'clock)			(Used After Code Date 91080400).
					Note			Note
59	490653	Insert—Starter Grip			398035 Starter—Rewind			280684 Guard—Finger
59A	230228	Pin—Starter Grip			(12 o'clock)			(Used Before Code Date 91080500).
60	393152	Grip—Starter Rope			Used on Type No(s). 0135, 0153, 0161, 0537, 0538, 0549, 2535, 2537, 2538, 2548, 2549, 4001, 4005, 4008, 4035, 4049.	1016	490817	Spacer
60A	490652	Grip—Starter Rope						
65	94124	Screw—Rd. Hd.						
304		Housing—Blower						
		Note						
		For Type Numbers Not Listed, See Ref. No. 608.						

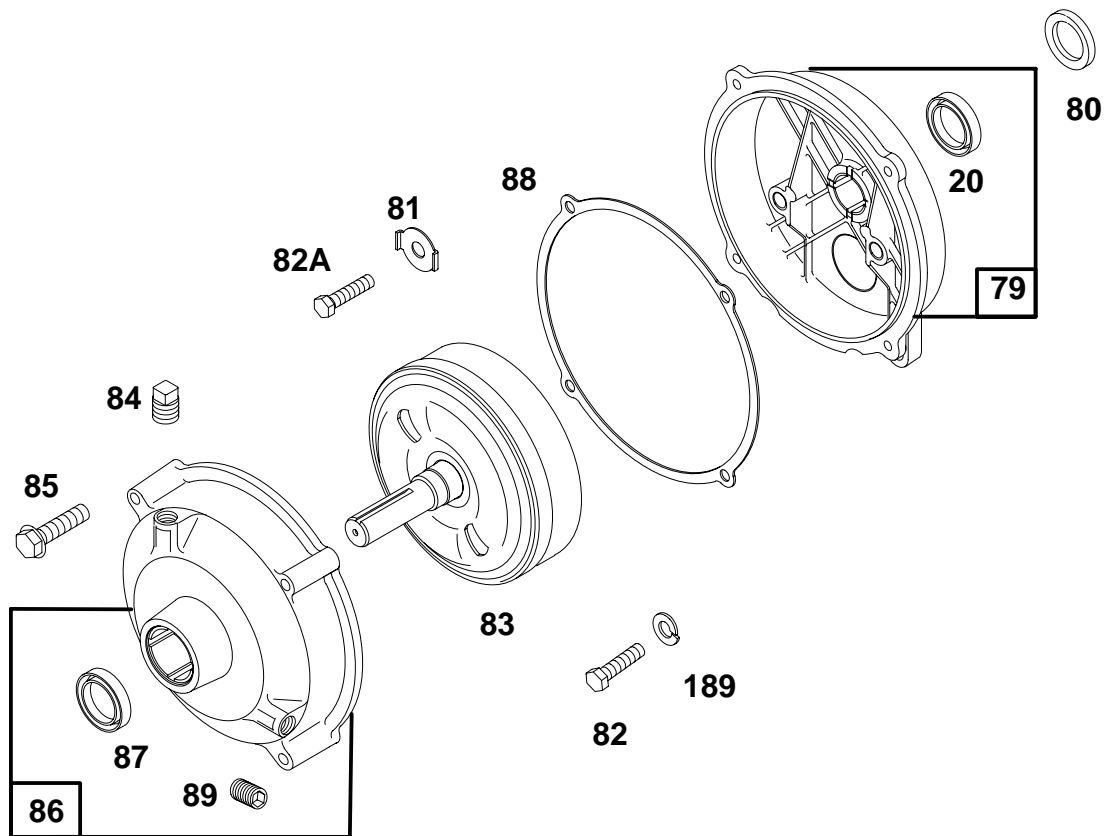
★ Included in Gasket Set—Part No. 495602.
 ● Included in Carburetor Kit—See Ref. 121.



REF. NO.	PART NO.	DESCRIPTION	REF. NO.	PART NO.	DESCRIPTION	REF. NO.	PART NO.	DESCRIPTION
23	296884	Flywheel	73	221661	Screen-Rotating	330	69932	Rope-Starter
24	222698	Key-Flywheel	74	93490	Screw-Sem	331	224061	Washer-Flywheel (5/8" Hole)
37	220971	Guard-Flywheel	75	224061	Washer-Flywheel	332	92284	Nut-Flywheel (5/8-18 Right Hand Thread)
66	399671	Clutch-Starter	76	68238	Washer-Sealing	363	19069	Flywheel Puller
67	394897	Housing-Clutch	305	93158	Screw-Sem			
68	63770	Ball-Clutch	325	298731	Pulley-Starter (5/8" Hole in Pulley)			
70	298799	Ratchet-Clutch						
71	394506	Washer-Retainer						

- ★ Included in Gasket Set-Part No. 495602.
- Included in Carburetor Kit-See Ref. 121.

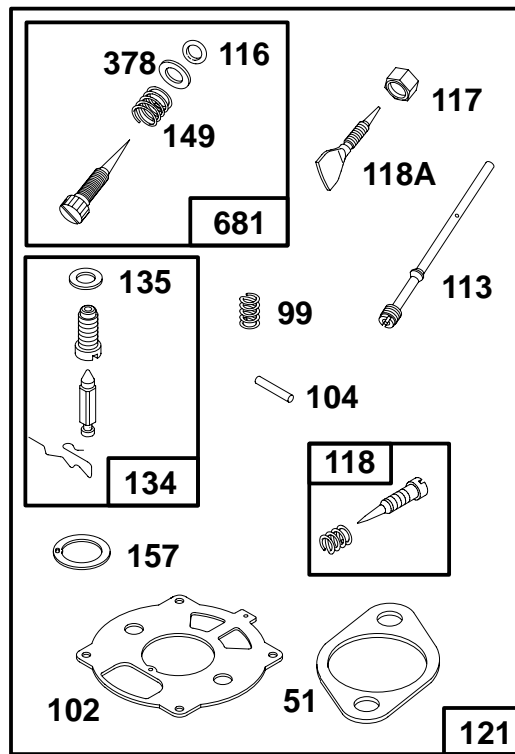
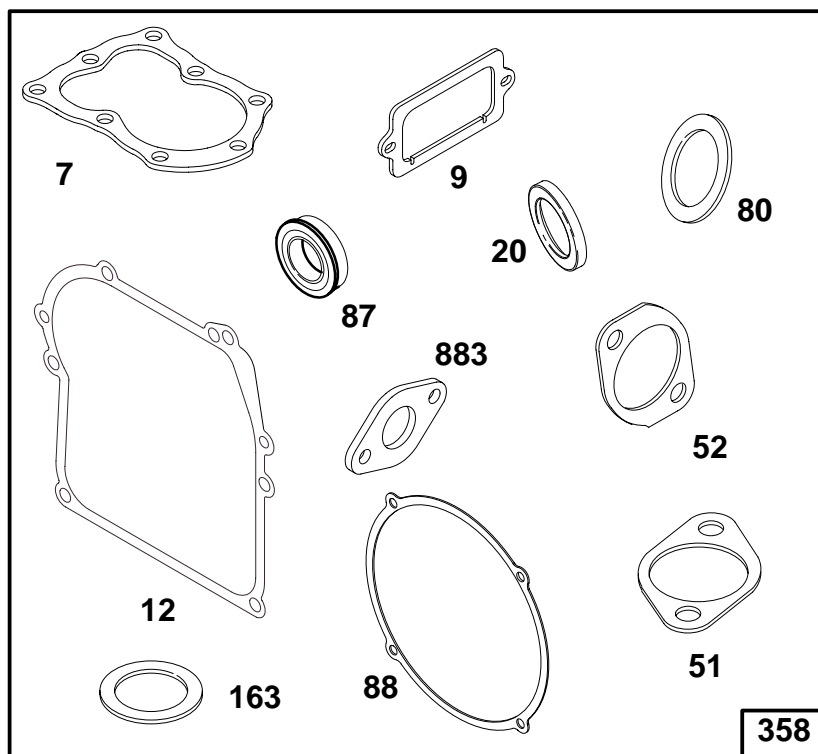
82300 to 82399



REF. NO.	PART NO.	DESCRIPTION	REF. NO.	PART NO.	DESCRIPTION	REF. NO.	PART NO.	DESCRIPTION
79	290779	Case Assy.—Gear	83	211293	Shaft Assembly—Drive	88	★27313	Gasket—Cover
80	★27667	Gasket—Gear Case	84	92617	Plug—Breather	89	93448	Plug—Oil Drain (1/4" Pipe Thread)
81	220234	Lock—Screw Hd.	85	92747	Screw—Hex. Hd.	189	90366	Washer—Lock
82	91541	Screw—Cap, Hex. Hd. (7/8" Long)	86	291730	Cover Assembly— Gear			
82A	92279	Screw—Cap, Hex. Hd. (1-1/2" Long)	87	★19011	Seal—Oil			

- ★ Included in Gasket Set—Part No. 495602.
- Included in Carburetor Kit—See Ref. 121.

82300 to 82399



REF. NO.	PART NO.	DESCRIPTION	REF. NO.	PART NO.	DESCRIPTION	REF. NO.	PART NO.	DESCRIPTION
7	★272167	Gasket—Cylinder Head —— Note —— 272167 Cylinder Head Gaskets (2) Used on Type No(s). 0132, 0141, 0142, 0526, 0529, 0531.	102	●27917	Gasket—Carb. Body	121	398992	Carburetor Kit (Used After Code Date 85120500). —— Note —— 291691 Carburetor Kit (Used Before Code Date 85120600).
9	★27549	Gasket—Breather	104	●23114	Pin—Float Hinge	134	●293478	Valve—Needle
12	★270833	Gasket—Crankcase (.015" Thick, Standard)	113	●231359	Nozzle—Carburetor (Used After Code Date 85120500). —— Note —— ●23222 Nozzle—Carb. (Used Before Code Date 85120600).	135	●68877	Gasket—Fuel Inlet Valve Seat
	★270895	Gasket—Crankcase (.005" Thick)	114	●68887	Packing—Valve (Used Before Code Date 85120600).	149	261357	Spring—Needle Valve (Used After Code Date 85120500).
	★270896	Gasket—Crankcase (.009" Thick) (Hex. Socket Hd.)	116	280203	Packing—Valve (Used After Code Date 85120500).	157	●27840	Gasket—Venturi
20	★299819	Seal—Oil	117	●23227	Nut—Packing (Used Before Code Date 85120600).	358	495602	Gasket Set
51	★68987	Gasket—Carb. Mtg.	118	●292681	Valve—Idle Adjustment	378	●22032	Washer
52	★27355	Gasket—Intake	118A	●230005	Valve—Needle (Used Before Code Date 85120600).	681	●399619	Valve—Needle —— Note —— 292088 Valve—Needle Used on Type No(s). 0132, 0141, 0142, 0156, 0157, 0158, 0163, 0526, 0529, 0531, 2538.
80	★27667	Gasket—Gear Case				883	★272252	Gasket—Muffler
87	★19011	Seal—Oil						
88	★27313	Gasket—Cover						
99	●26157	Spring—Idle Valve						

★ Included in Gasket Set—Part No. 495602.

● Included in Carburetor Kit—See Ref. 121.

82300 to 82399

REF. NO.	PART NO.	DESCRIPTION	REF. NO.	PART NO.	DESCRIPTION	REF. NO.	PART NO.	DESCRIPTION	
7	★272167	Gasket–Cylinder Head Note 272167 Cylinder Head Gaskets (2) Used on Type No(s). 0132, 0141, 0142, 0526, 0529, 0531.		495211	Crankshaft (Used After Code Date 93071800).	33	262986	Valve–Exhaust (Used After Code Date 93112100).	
12	★270833	Gasket–Crankcase (.015" Thick, Standard)		493633	Crankshaft (Used Before Code Date 93071900). Used on Type No(s). 0111, 0133, 0137, 0146, 0150, 0153, 0155, 0156, 0161, 0162, 0164, 0165, 0528, 0529, 0537, 2528, 2537, 2538, 4001, 4005, 4008, 4037.		262580	Valve–Exhaust (Cobalite™) (Used Before Code Date 93112200 and After Code Date 90051300).	
		★ 270895 Gasket–Crankcase (.005" Thick)					296676	Valve–Exhaust (With Hole in Stem) (Used Before Code Date 90051400).	
		★ 270896 Gasket–Crankcase (.009" Thick) (Hex. Socket Hd.)	17	495484	Bearing–Ball (Used After Code Date 93071800).			Note 296676 Valve–Exhaust Used on Type No(s). 0137, 0147, 0149, 0150, 0151, 0153, 0154, 0155, 0156, 0157, 0158, 0159, 4006, 4007, 4008, 4037.	
16	495210	Crankshaft (Used After Code Date 93071800).			Note 99158 Bearing–Ball (Used Before Code Date 93071900).	36	260552	Spring–Valve (Exhaust) (Used After Code Date 93112100).	
		492095 Crankshaft (Used Before Code Date 93071900).		19	293708	Bushing Include(s): 220538 Bushing Note Bushings Require Special Tools For Installation.		262750 Spring–Valve (Exhaust) (Used Before Code Date 93112200 and After Code Date 90051300).	
		Note To Replace Crankshaft Gear Pin– Order Part No. 230978 .			Note 294499 Bushing Include(s): 220538 Bushing Used on Model Series 82351 and 82352.			Note 26826 Spring–Valve (Used Before Code Date 90051400).	
		397252 Crankshaft Used on Type No(s). 0148, 0151, 0154, 0157, 0158, 0163, 0530, 0531, 4002, 4006.		20	★ 299819	Seal–Oil Note 392838 Seal–Oil Used on Model Series 82351 and 82352.	41	491442	Retainer–Valve (Used Before Code Date 93112200 and After Code Date 90051300).
		397256 Crankshaft Used on Type No(s). 0139, 0532.			393812 Seal–Oil (Used Before Code Date 93071800).			292259 Retainer–Valve (Used Before Code Date 90051400).	
		493599 Used on Type No(s). 0126, 0131, 0134, 0136, 0138, 0548, 0549, 2547, 2548, 2549, 4049.			★ 495355 Seal–Oil (Used After Code Date 93071900).			Note 93312 Retainer–Valve Used on Type No(s). 0137, 0147, 0149, 0150, 0151, 0153, 0154, 0155, 0156, 0157, 0158, 0159, 0160, 0162, 0163, 0164, 0165, 2016, 2538, 4003, 4005, 4006, 4007, 4008, 4037.	
		493619 Crankshaft Used on Type No(s). 0139, 0538.	26	295657	Ring Set (Standard)				
		493767 Crankshaft (Used After Code Date 93071800).			297201 Ring Set (Chrome Standard)				
		493849 Crankshaft (Used Before Code Date 93071900). Used on Type No(s). 0135, 2535, 4035.			295658 Ring Set (.010" O.S.)				
		494033 Crankshaft Type No(s) 0144.			295659 Ring Set (.020" O.S.)				
					295660 Ring Set (.030" O.S.)				

★ Included in Gasket Set–Part No. 495602.
 ● Included in Carburetor Kit–See Ref. 121.

82300 to 82399

REF. NO.	PART NO.	DESCRIPTION	REF. NO.	PART NO.	DESCRIPTION	REF. NO.	PART NO.	DESCRIPTION
337	298809	Plug-Spark (1-1/2" High, 38 mm) ———— Note ———— 492167 Plug-Spark (1-7/8" High, 49 mm) 802592 Plug-Spark (1-7/8" High, 49 mm) (Resistor Type)	681	●399619	Valve-Needle ———— Note ———— 292088 Valve-Needle Used on Type No(s). 0132, 0141, 0142, 0156, 0157, 0158, 0163, 0526, 0529, 0531, 2538.	869	211172	Seat-Valve (Intake) (Used After Code Date 88073100). ———— Note ———— 210879 Seat-Valve (Intake) (Used Before Code Date 88080100).
			741	261721	Gear-Timing ———— Note ———— 261533 Gear-Timing Used on Model Series 82331, 82332, 82351 and 82352.			

★ Included in Gasket Set-Part No. 495602.
● Included in Carburetor Kit-See Ref. 121.