

Illustrated Parts List

Model Series

327400 to 327499

TYPE NUMBERS
0100, 0131.

TO FIND
THE CORRECT NUMBER OF THE PART YOU NEED:
FOLLOW THE INSTRUCTIONS BELOW

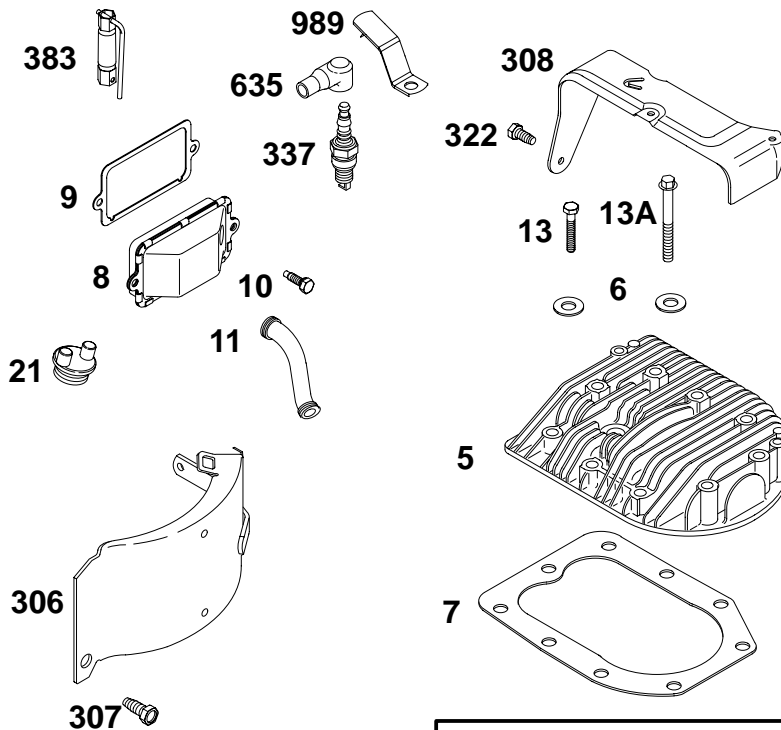
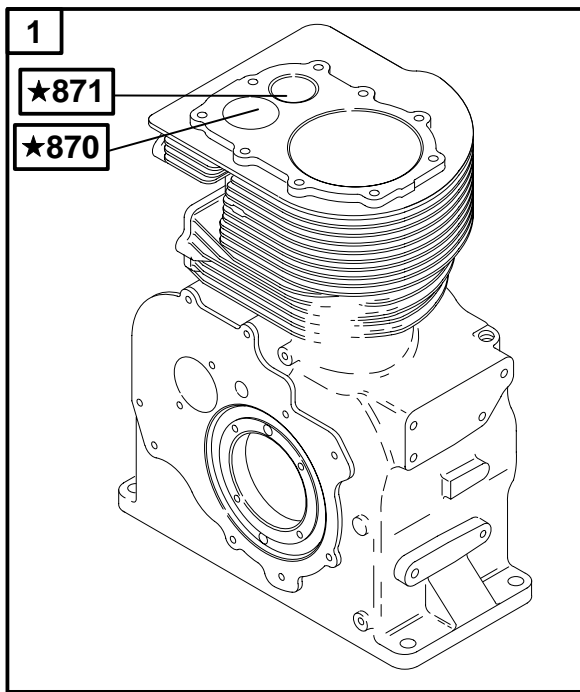
- A. Refer to Engine Model, Type and Code Number that is stamped on the blower housing of engine. Engine type numbers such as 0123 01 are listed only as 0123 in most instances. The two digits (01 or 02, etc.) to the right of the space may be required for more accurate parts identification in some instances. Select the Illustrated Parts List covering the correct Model Series and Type Number.
- B. Refer to the Illustrations and compare the original part with Illustration. The number next to the illustration is the Reference Number. Assemblies include all parts shown in frames. All parts shown in assembly frames having individual reference numbers can be purchased separately.
- C. After the Reference Number has been identified, refer to the Numerical text, where Reference and Primary Part Number are listed. **THE PRIMARY PART IS USED ON ALL TYPE NUMBERS EXCEPT THOSE TYPE NUMBERS UNDER "NOTE."**
- D. If a "Note" appears below the Primary Part Number, it means that this part differs from the Primary Part for certain types. If your Type number is listed under "Note," order the part referred to at the "Note."
- E. If your Engine Type Number does not appear after any part number listed under "Note," use the Primary Part Number.
- F. For Engine Type Numbers not covered by this book, check other Parts Lists having the same engine model or contact your source of supply.



PRINTED IN U.S.A.

COPYRIGHT by BRIGGS & STRATTON CORPORATION
All rights reserved. No part of this material may be reproduced or transmitted, in any form or by any means, electronic or mechanical, including photocopying, recording or by any information storage and retrieval system, without permission in writing from Briggs & Stratton Corporation.

327400 to 327499



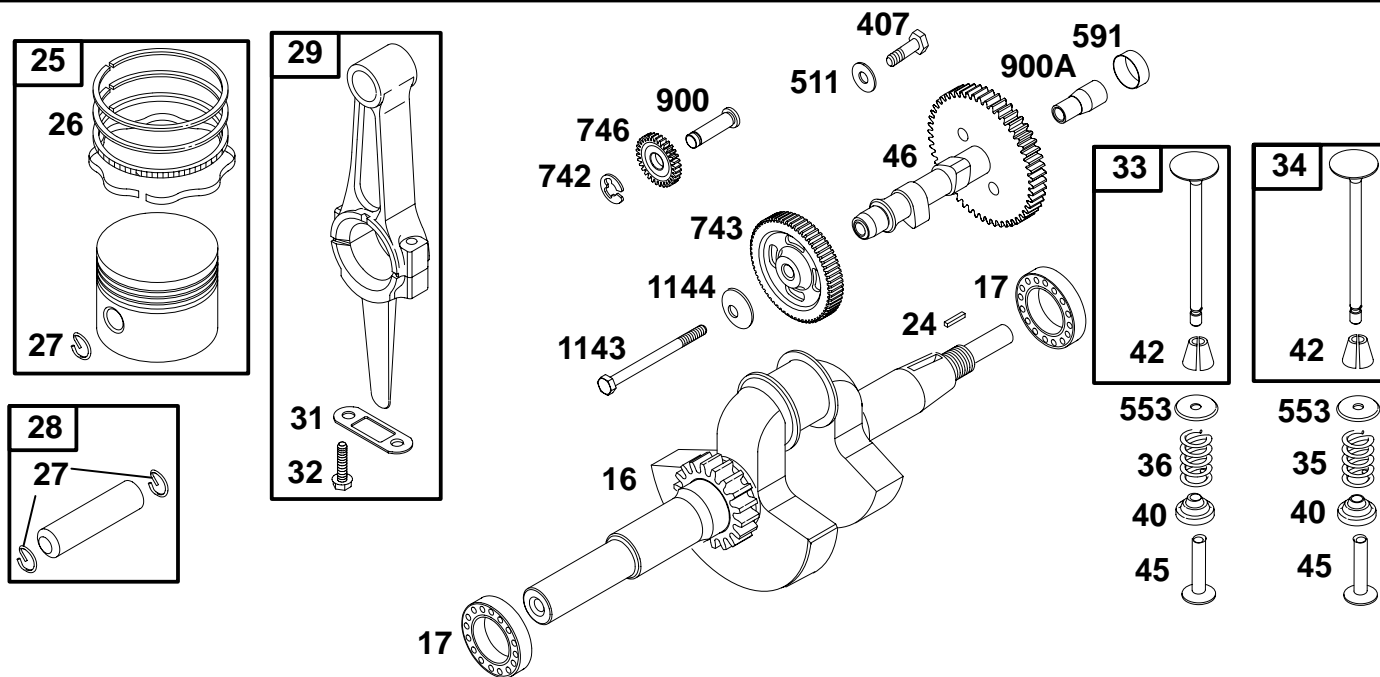
★ **REQUIRES SPECIAL TOOLS TO INSTALL.**
SEE REPAIR INSTRUCTION MANUAL.

1058 OWNER'S MANUAL

REF. NO.	PART NO.	DESCRIPTION	REF. NO.	PART NO.	DESCRIPTION	REF. NO.	PART NO.	DESCRIPTION
1	695590	Cylinder Assembly	21	281658	Cap—Oil Fill	383	89838	Wrench—Sparkplug
5	695582	Head—Cylinder	306	299536	Shield—Cylinder	635	66538	Boot—Sparkplug
6	691261	Washer (Cylinder Head)	307	690294	Screw (Cylinder Shield)	870	21612	Seat—Valve (Exhaust)
7	★272166	Gasket—Cylinder Head	308	222357	Cover—Cylinder Head	871	231218	Bushing—Valve Guide
8	495738	Breather Assembly	322	692198	Screw (Cylinder Head Cover)	989	298926	Stopswitch—Sparkplug
9	★27803	Gasket—Breather	337	492167	Sparkplug	1058	270373	Owner's Manual
10	690294	Screw (Breather Assembly)						
11	691899	Tube—Breather						
13	91203	Screw (Cylinder Head) (1 3/4")						
13A	92674	Screw (Cylinder Head) (2 7/16")						

★ Included in Engine Gasket Set—Ref. No. 358.

● Included in Carburetor Overhaul Kit—Ref. No. 121.

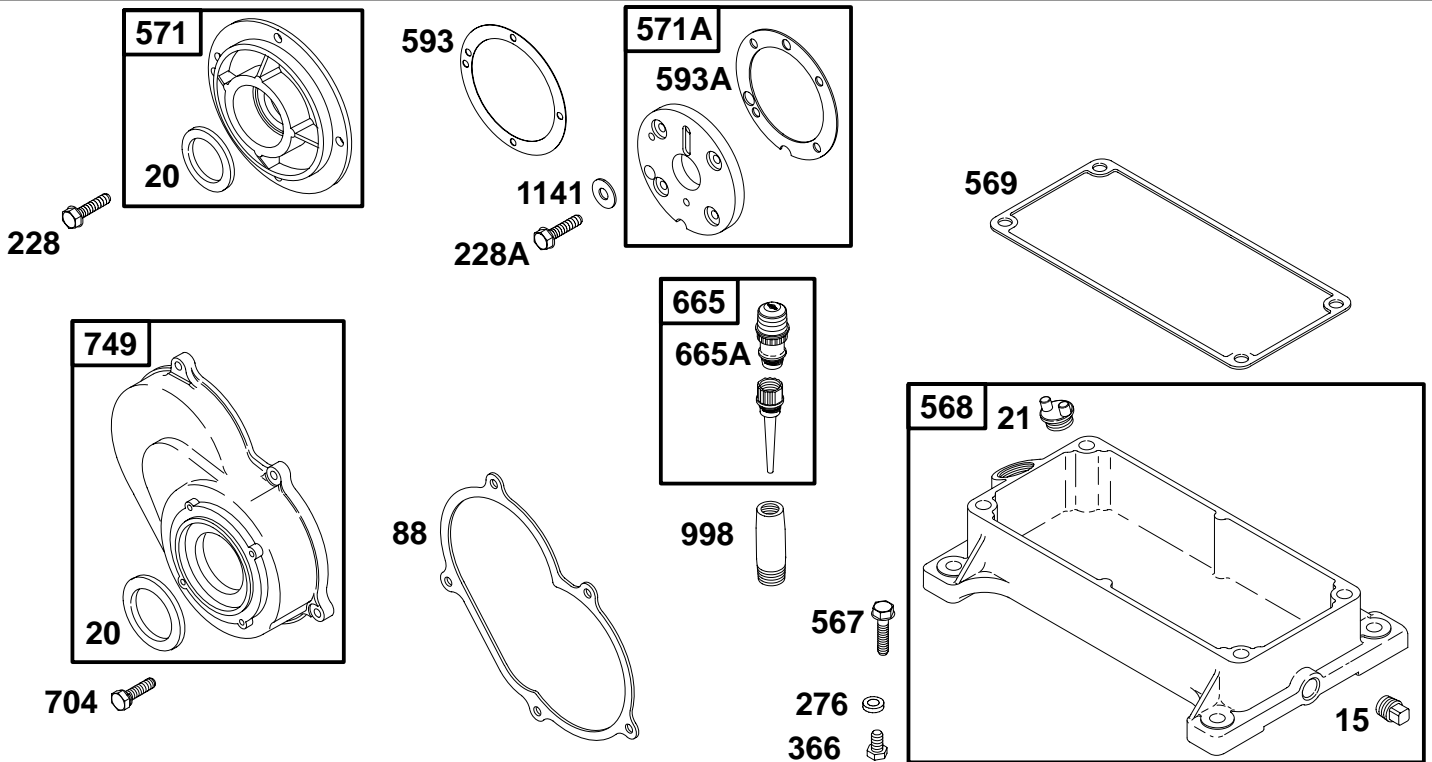


REF. NO.	PART NO.	DESCRIPTION	REF. NO.	PART NO.	DESCRIPTION	REF. NO.	PART NO.	DESCRIPTION	
16	261218	Crankshaft	28	299691	Pin-Piston (Standard)	511	690402	Washer (Camshaft Bearing)	
17	291667	Bearing-Ball			Note	553	690269	Retainer-Valve Spring	
24	222698	Key-Flywheel			391286	Pin-Piston (.005" O.S.)	591	224083	Plug-Camshaft
25	390364	Piston Assembly (Standard)	29	695581	Rod-Connecting (Standard)	742	691080	Retainer-E Ring	
		Note			Note	743	691153	Gear-Drive	
		390365	31	690396	Lock-Rod Screw	746	261466	Gear-Idler	
		Assembly (.010" O.S.)	32	692345	Screw (Connecting Rod)	900	230890	Shaft-Gear	
		390366			695585	231006	Shaft-Gear (.020" O.S.)		
		Assembly (.020" O.S.)			691081	691081	Screw (Drive Gear Cover)		
		390367	33	394436	Valve-Exhaust	1143	690301	Washer (Drive Gear Cover)	
		Assembly (.030" O.S.)	34	394435	Valve-Intake				
26	390484	Ring Set (Standard)	35	26828	Spring-Valve (Intake)				
		Note	36	26828	Spring-Valve (Exhaust)				
		390679	40	292260	Retainer-Valve				
		Ring Set (Standard Chrome)	42	494553	Keeper-Valve				
		390486	45	26670	Tappet-Valve				
		Ring Set (.010" O.S.)	46	211794	Camshaft				
		390505	47	211794	Camshaft				
		Ring Set (.020" O.S.)	407	690810	Screw (Camshaft Bearing)				
		390507							
		Ring Set (.030" O.S.)							
27	260924	Lock-Piston Pin							

★ Included in Engine Gasket Set-Ref. No. 358.

● Included in Carburetor Overhaul Kit-Ref. No. 121.

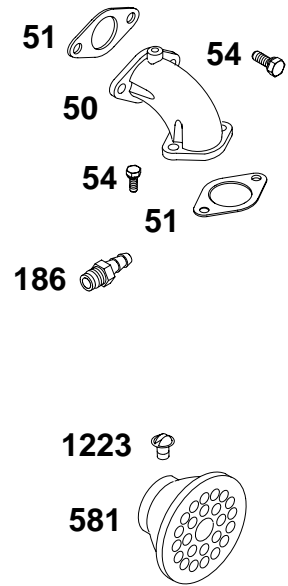
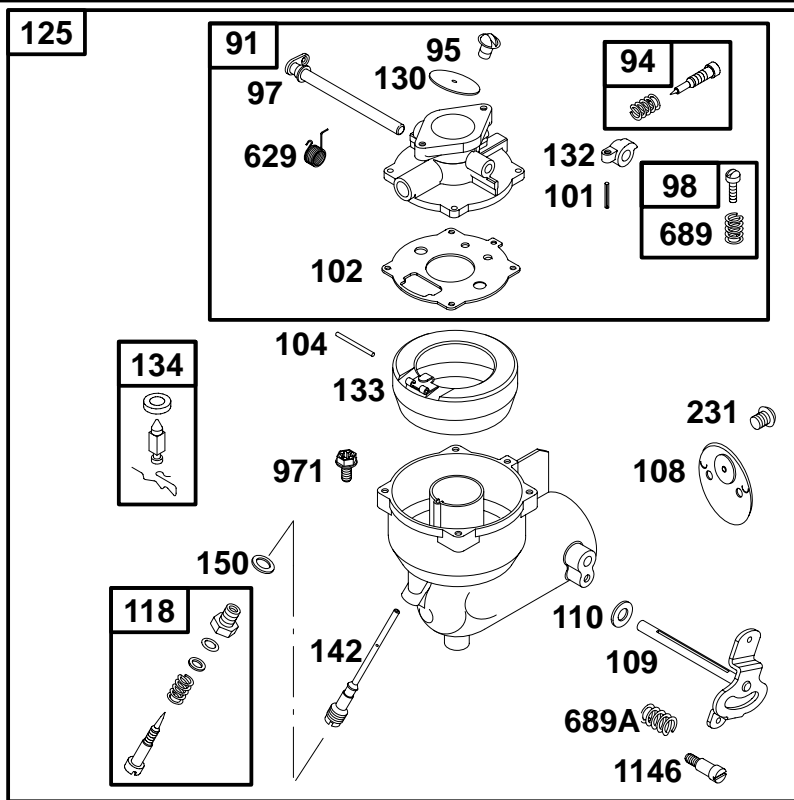
327400 to 327499



REF. NO.	PART NO.	DESCRIPTION	REF. NO.	PART NO.	DESCRIPTION	REF. NO.	PART NO.	DESCRIPTION
15	94239	Plug—Oil Drain	276	690258	Washer—Sealing	593A	★270513	Gasket—Bearing Support (.015")
20	★299609	Seal—Oil (PTO Side)	366	690304	Screw (Timing Hole Plug)			Note
21	281658	Cap—Oil Fill	567	691104	Screw (Engine Base)			★270514 Gasket—Bearing Support (.010")
88	★691310	Gasket—Gear Reduction Cover (Magneto Side)	568	294751	Base—Engine			★270515 Gasket—Bearing Support (.005")
228	94627	Screw (Bearing Support)	569	★27351	Gasket—Engine Base	665	298860	Kit—Oil Minder
228A	93415	Screw (Bearing Support)	571	391062	Support—Bearing (Magneto Side)	665A	692939	Minder—Oil
			571A	299705	Support—Bearing (Magneto Side)	704	691083	Screw (Counterweight Cover)
			593	★691311	Gasket—Bearing Support	749	391061	Cover—Counterweight
						998	690502	Pipe—Oil
						1141	690402	Washer (Bearing Support)

★ Included in Engine Gasket Set—Ref. No. 358.

● Included in Carburetor Overhaul Kit—Ref. No. 121.

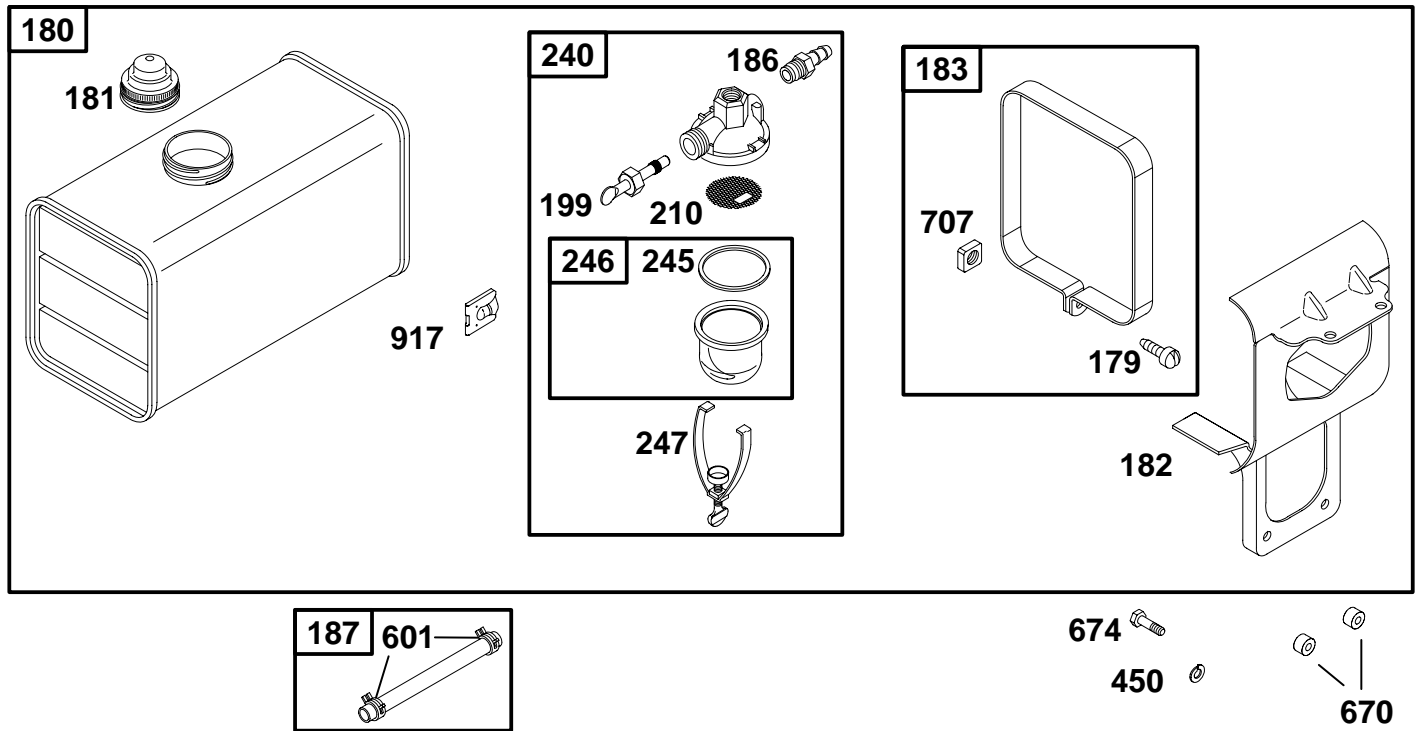


REF. NO.	PART NO.	DESCRIPTION	REF. NO.	PART NO.	DESCRIPTION	REF. NO.	PART NO.	DESCRIPTION
50	695599	Manifold-Intake	108	690621	Valve-Choke	581	695600	Intake Horn-Carburetor
51	★695598	Gasket-Intake	109	691353	Shaft-Choke	629	695607	Spring-Throttle Return
54	93415	Screw (Intake Manifold)	110	691186	Washer (Choke Shaft)	689	26157	Spring-Friction
91	695606	Body-Upper Carburetor	118	●99525	Valve-High Speed	689A	26155	Spring-Friction
94	●292681	Kit-Idle Mixture	125	695608	Carburetor	971	691090	Screw (Air Cleaner Base to Carburetor)
95	93499	Screw (Throttle Valve)	130	695605	Valve-Throttle	1146	23123	Screw (Choke Shaft)
97	298535	Shaft-Throttle	132	212904	Stop-Throttle	1223	695601	Screw (Carburetor Intake Horn)
98	693942	Kit-Idle Speed	133	298514	Float-Carburetor			
101	93043	Pin-Shaft	134	●394681	Kit-Needle/Seat			
102	●270268	Gasket-Carburetor Body	142	●394730	Nozzle-Carburetor			
104	●691775	Pin-Float Hinge	150	●68667	Gasket-Nozzle			
			186	230318	Connector-Hose			
			231	93499	Screw (Choke Valve)			

★ Included in Engine Gasket Set-Ref. No. 358.

●Included in Carburetor Overhaul Kit-Ref. No. 121.

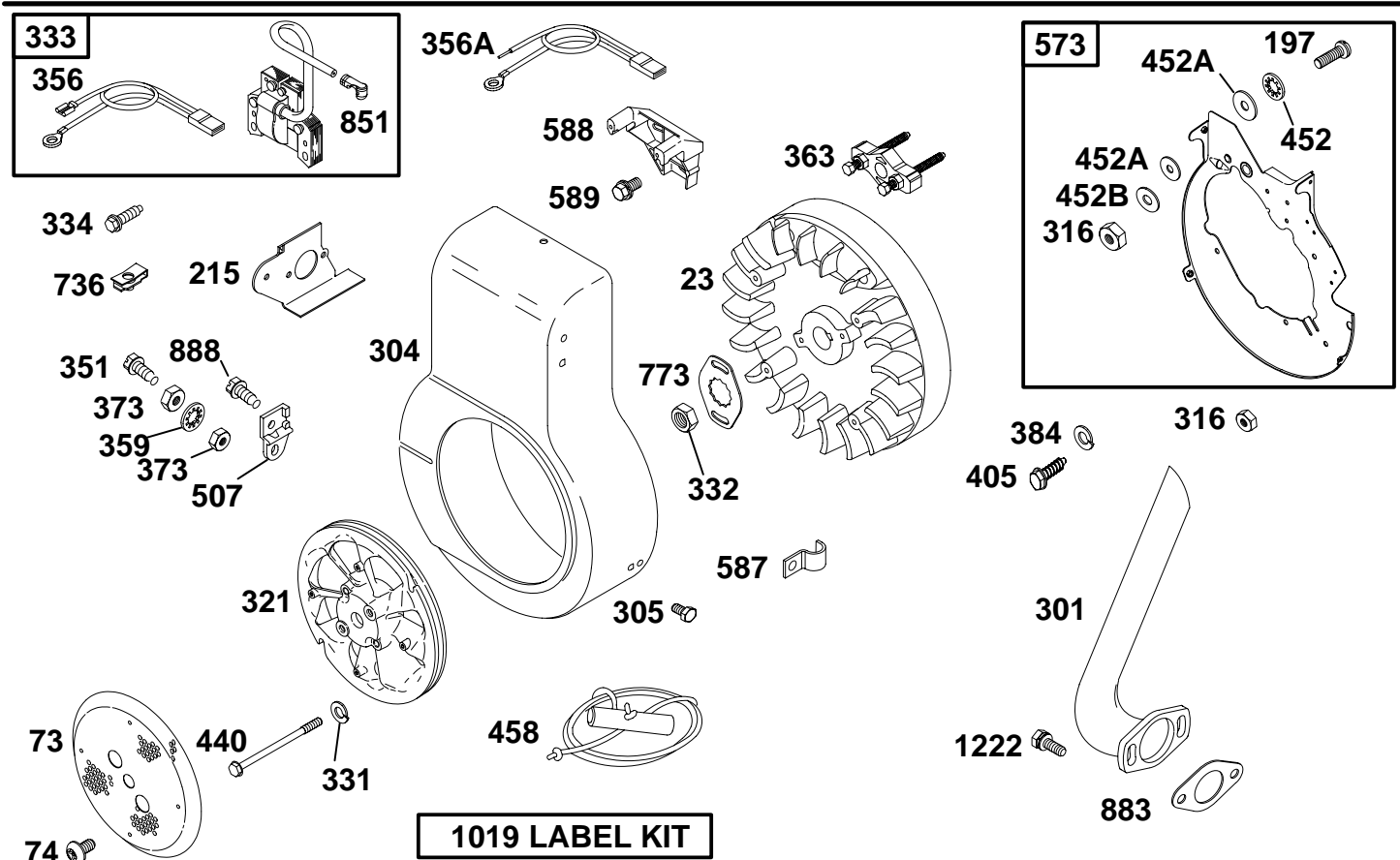
327400 to 327499



REF. NO.	PART NO.	DESCRIPTION	REF. NO.	PART NO.	DESCRIPTION	REF. NO.	PART NO.	DESCRIPTION
179	690280	Screw (Fuel Tank Strap)	199	295913	Valve—Fuel Shut Off	601	95162	Clamp—Hose
180	292415	Tank—Fuel	210	22547	Strainer—Fuel	670	690505	Spacer—Fuel Tank
181	392305	Cap—Fuel Tank	240	393169	Filter—Fuel	674	690303	Screw (Fuel Tank Bracket)
182	695587	Bracket—Fuel Tank	245	*68477	Gasket—Fuel Bowl	707	690279	Nut (Fuel Tank Strap)
183	291490	Strap—Fuel Tank	246	298683	Bowl—Fuel Filter	917	223271	Handle—Shut Off Valve
186	230318	Connector—Hose	247	99665	Yoke—Bowl			
187	691050	Line—Fuel	450	691075	Washer (Fuel Tank Bracket)			

★ Included in Engine Gasket Set—Ref. No. 358.

● Included in Carburetor Overhaul Kit—Ref. No. 121.

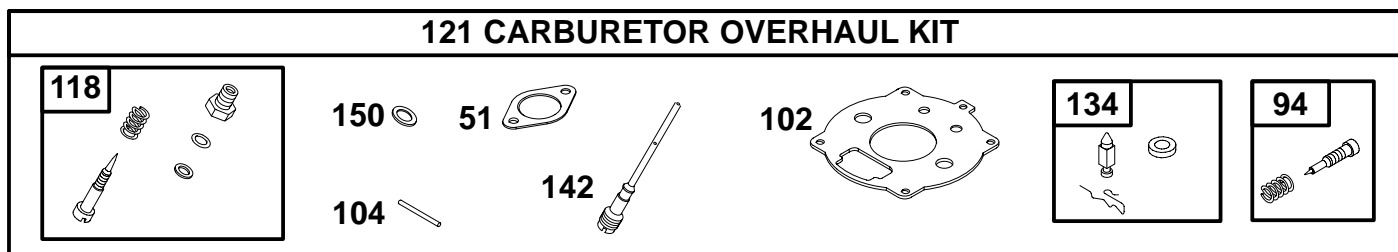
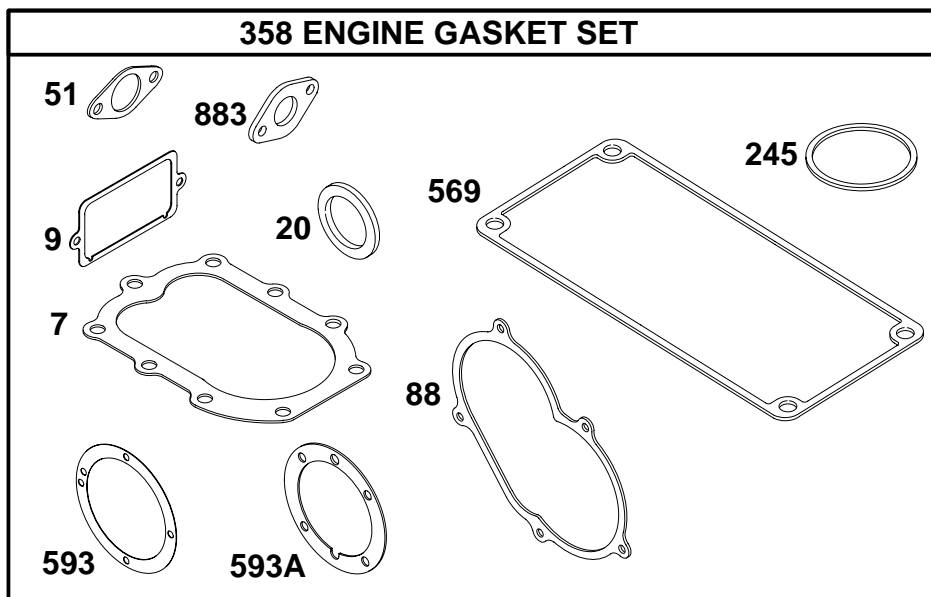


REF. NO.	PART NO.	DESCRIPTION	REF. NO.	PART NO.	DESCRIPTION	REF. NO.	PART NO.	DESCRIPTION
23	395250	Flywheel	334	94731	Screw (Magneto Armature)	452A	66154	Washer (Back Plate)
73	691171	Screen—Rotating	351	690292	Screw (Ground Terminal)	452B	26404	Washer (Back Plate)
74	94626	Screw (Rotating Screen)	356	398808	Wire—Stop	458	69932	Kit—Handle/Rope
197	90072	Screw (Back Plate)	356A	690650	Wire—Stop	507	690584	Insulator
215	695584	Guide—Air	359	691077	Washer (Ground Terminal)	573	299450	Plate—Back
301	695589	Pipe—Exhaust	363	19203	Flywheel Puller	587	690389	Clamp—Cable
304	695595	Housing—Blower	373	90576	Nut (Ground Terminal)	588	690375	Bracket—Armature
305	692198	Screw (Blower Housing)	384	90832	Washer (Back Plate)	589	690300	Screw (Armature Bracket)
316	90576	Nut (Back Plate)	405	690290	Screw (Back Plate)	736	690302	Nut—Clip
321	691151	Fan—Booster	440	691076	Screw (Booster Fan)	773	690265	Retainer
331	691075	Washer (Booster Fan)	452	92864	Washer (Back Plate)	851	493880	Terminal—Sparkplug
332	230674	Nut (Flywheel)				883	★695597	Gasket—Exhaust
333	398811	Armature—Magneto				888	690295	Screw (Insulator)
						1019	695612	Kit—Label
						1222	691058	Screw (Exhaust Pipe)

★ Included in Engine Gasket Set—Ref. No. 358.

● Included in Carburetor Overhaul Kit—Ref. No. 121.

327400 to 327499



REF. NO.	PART NO.	DESCRIPTION	REF. NO.	PART NO.	DESCRIPTION	REF. NO.	PART NO.	DESCRIPTION
7	★272166	Gasket-Cylinder Head	118	●99525	Valve-High Speed	593A	★270513	Gasket-Bearing Support (.015")
9	★27803	Gasket-Breather	121	695611	Kit-Carburetor Overhaul			Note
20	★299609	Seal-Oil (PTO Side)	134	●394681	Kit-Needle/Seat			★270514 Gasket-Bearing Support (.010")
51	★∅695598	Gasket-Intake	142	●394730	Nozzle-Carburetor			★270515 Gasket-Bearing Support (.005")
88	★691310	Gasket-Gear Reduction Cover (Magneto Side)	150	●68667	Gasket-Nozzle	883	★695597	Gasket-Exhaust
94	●292681	Kit-Idle Mixture	245	★68477	Gasket-Fuel Bowl			
102	●270268	Gasket-Carburetor Body	358	695610	Gasket Set-Engine			
104	●691775	Pin-Float Hinge	569	★27351	Gasket-Engine Base			
			593	★691311	Gasket-Bearing Support			

★ Included in Engine Gasket Set-Ref. No. 358.

●Included in Carburetor Overhaul Kit-Ref. No. 121.