

Illustrated Parts List

Model Series

312700 to 312799

TYPE NUMBERS

0101, 0127, 0128,
0129, 0130, 0131,
0136, 0150, 0151.

TO FIND

THE CORRECT NUMBER OF THE PART YOU NEED: FOLLOW THE INSTRUCTIONS BELOW

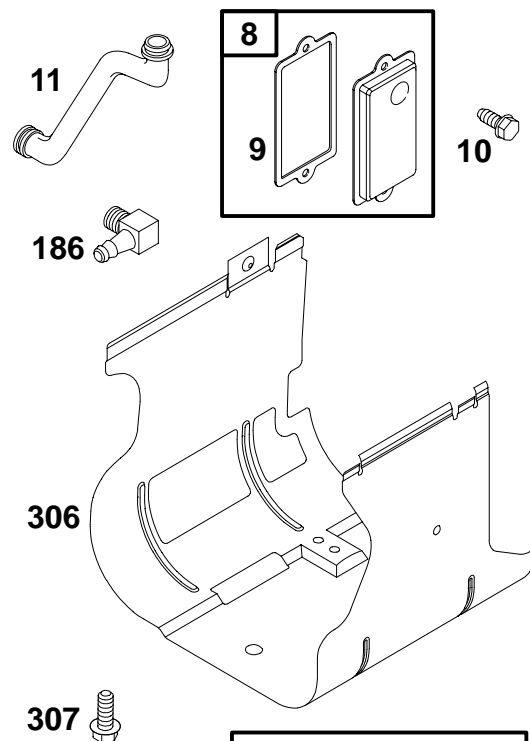
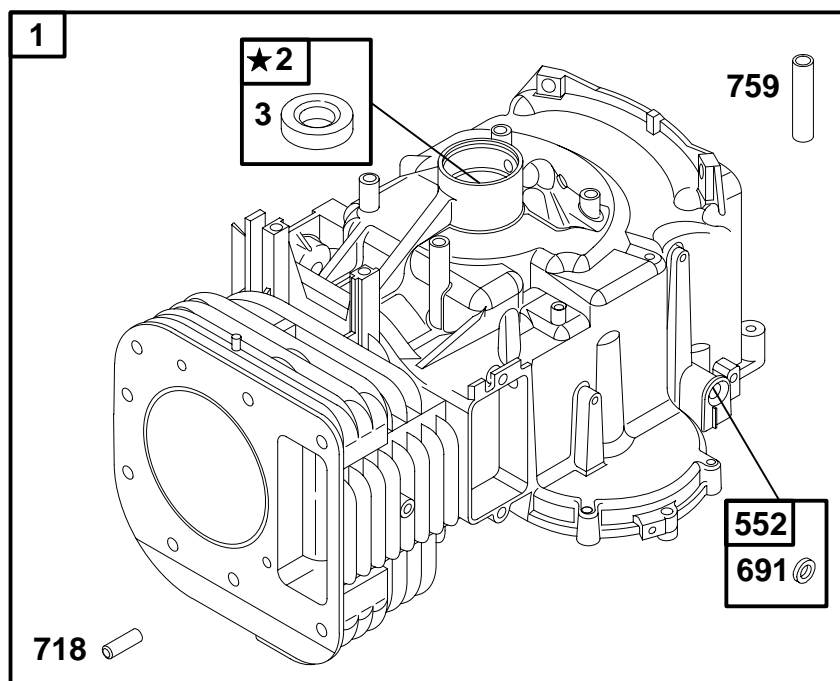
- A. Refer to Engine Model, Type and Code Number that is stamped on the blower housing of engine. Engine type numbers such as 0123 01 are listed only as 0123 in most instances. The two digits (01 or 02, etc.) to the right of the space may be required for more accurate parts identification in some instances. Select the Illustrated Parts List covering the correct Model Series and Type Number.
- B. Refer to the Illustrations and compare the original part with Illustration. The number next to the illustration is the Reference Number. Assemblies include all parts shown in frames. All parts shown in assembly frames having individual reference numbers can be purchased separately.
- C. After the Reference Number has been identified, refer to the Numerical text, where Reference and Primary Part Number are listed. **THE PRIMARY PART IS USED ON ALL TYPE NUMBERS EXCEPT THOSE TYPE NUMBERS UNDER "NOTE."**
- D. If a "Note" appears below the Primary Part Number, it means that this part differs from the Primary Part for certain types. If your Type number is listed under "Note," order the part referred to at the "Note."
- E. If your Engine Type Number does not appear after any part number listed under "Note," use the Primary Part Number.
- F. For Engine Type Numbers not covered by this book, check other Parts Lists having the same engine model or contact your source of supply.

PRINTED IN U.S.A.



COPYRIGHT by BRIGGS & STRATTON CORPORATION
All rights reserved. No part of this material may be reproduced or transmitted, in any form or by any means, electronic or mechanical, including photocopying, recording or by any information storage and retrieval system, without permission in writing from Briggs & Stratton Corporation.

312700 to 312799



★ **REQUIRES SPECIAL TOOLS TO INSTALL. SEE REPAIR INSTRUCTION MANUAL.**

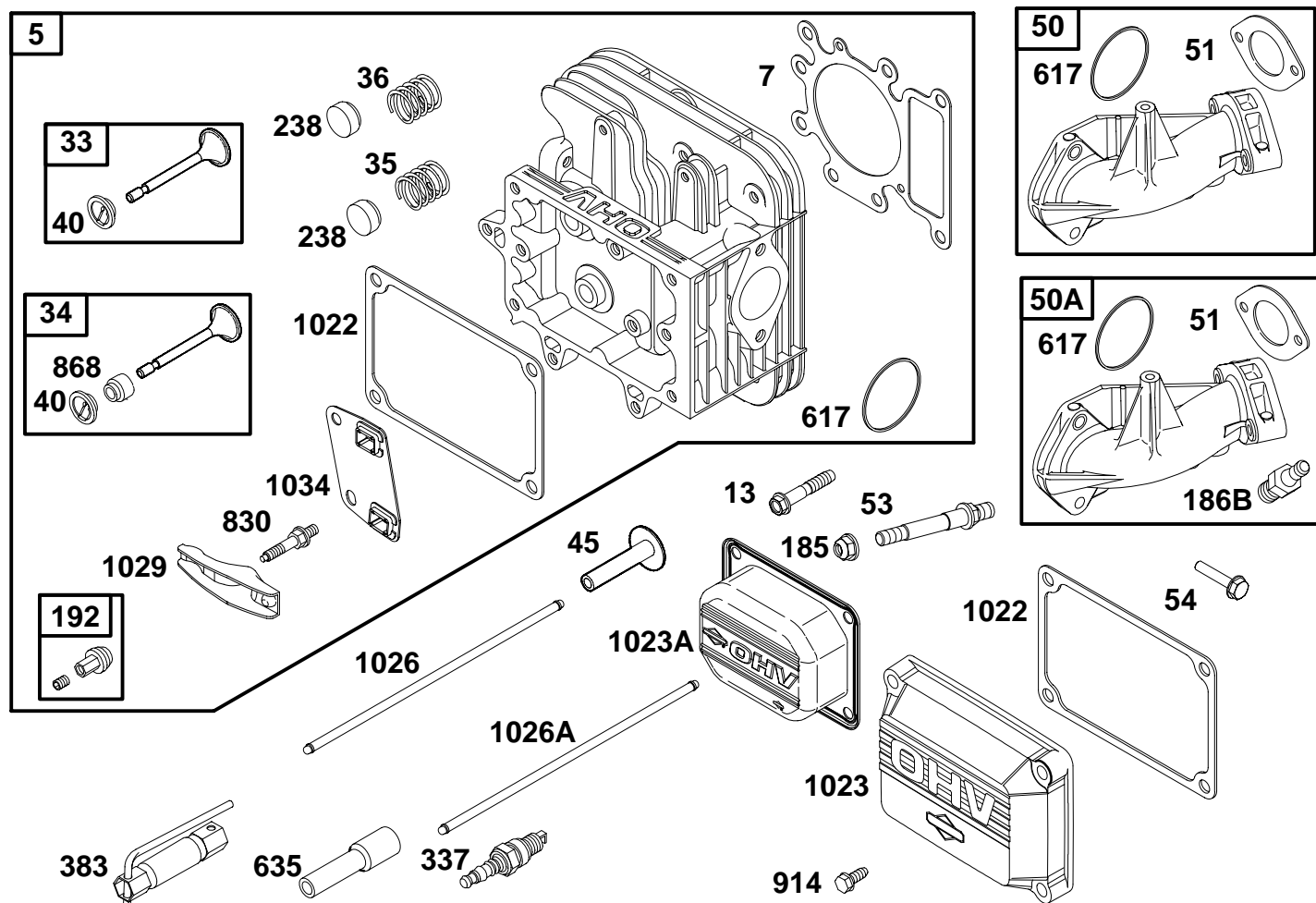
1019 LABEL KIT

1058 OWNER'S MANUAL

REF. NO.	PART NO.	DESCRIPTION	REF. NO.	PART NO.	DESCRIPTION	REF. NO.	PART NO.	DESCRIPTION
1	690156	Cylinder Assembly	9	★27803	Gasket-Breather	718	230192	Pin-Locating
2	399265	Kit-Bushing/Seal (Magneto Side)	10	691666	Screw (Breather Assembly)	759	691239	Pin-Counterweight
3	★391086	Seal-Oil (Magneto Side)	11	691328	Tube-Breather	1019	690180	Kit-Label
8	495735	Breather Assembly (Standard)	186	67218	Connector-Hose Used on Type No(s). 0127, 0136.	1058	274789	Owner's Manual (Emissions Engines)
		Note	306	690499	Shield-Cylinder			
		495734 Breather Assembly (Additional Hole for Hose Connector) Used on Type No(s). 0127, 0136.	307	94930	Screw (Cylinder Shield)			
			552	491986	Bushing-Governor Crank			
			691	★491323	Seal-Governor Shaft			

★ Included in Engine Gasket Set-Ref. No 358.
 Δ Included in Valve Overhaul Kit-Ref. No. 1095.

● Included in Carburetor Overhaul Kit-Ref. No. 121, 121A.
 ◆ Included in Carburetor Gasket Set-Ref. No. 977, 977A.
 ■ Included in All Kits ★▲◆◆.

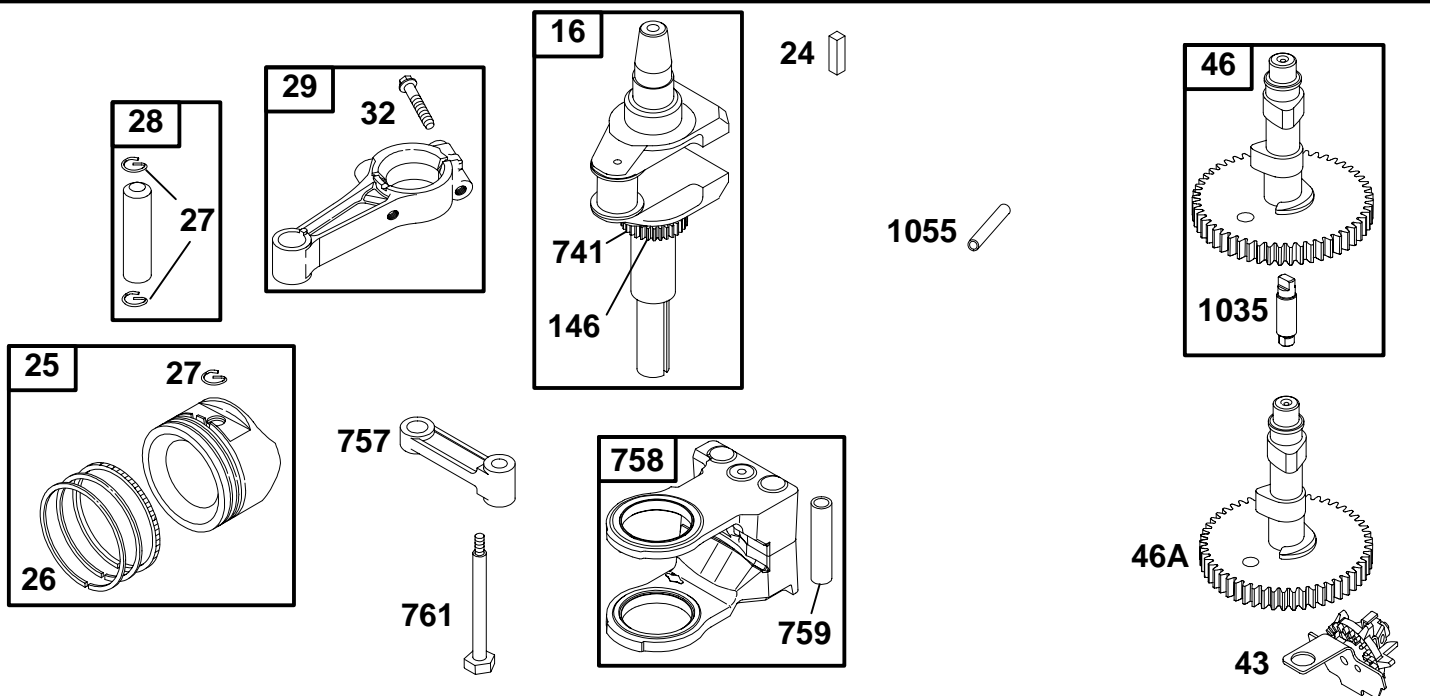


REF. NO.	PART NO.	DESCRIPTION	REF. NO.	PART NO.	DESCRIPTION	REF. NO.	PART NO.	DESCRIPTION	
5	690188	Head-Cylinder	54	691148	Screw (Intake Manifold)	830	691095	Stud (Rocker Arm)	
7	Δ*692410	Gasket-Cylinder Head	185	94010	Nut (Air Cleaner Base)	868	Δ*690968	Seal-Valve	
13	690360	Screw (Cylinder Head)	186B	230318	Connector-Hose (Intake Manifold)	914	690960	Screw (Rocker Arm Cover)	
33	495856	Valve-Exhaust	192	492160	Adjuster-Rocker Arm	1022	Δ*272475	Gasket-Rocker Cover	
34	495857	Valve-Intake	238	262836	Cap-Valve	1023	690388	Cover-Rocker Arm	
35	691279	Spring-Valve (Intake)	337	491055	Sparkplug (Standard)	1023A	692492	Cover-Rocker Arm Used on Type No(s). 0136, 0151.	
36	691279	Spring-Valve (Exhaust)	Note _____			1026	494432	Rod-Push (Intake)	
40	224641	Retainer-Valve			691043	Sparkplug (Optional, QC12YC) Used on Type No(s). 0136.	1026A	495136	Rod-Push (Exhaust)
45	690564	Tappet-Valve	383	89838	Wrench-Sparkplug	1029	224554	Arm-Rocker	
50	690193	Manifold-Intake	617	Δ*692138	Seal-O Ring (Intake Manifold)	1034	690822	Guide-Push Rod	
50A	695653	Manifold-Intake Used on Type No(s). 0127.	635	280872	Boot-Sparkplug				
51	■273650	Gasket-Intake							
53	690227	Stud (Carburetor)							

★ Included in Engine Gasket Set-Ref. No 358.
 Δ Included in Valve Overhaul Kit-Ref. No. 1095.

● Included in Carburetor Overhaul Kit-Ref. No. 121, 121A.
 ◆ Included in Carburetor Gasket Set-Ref. No. 977, 977A.
 ■ Included in All Kits ★Δ◆◆.

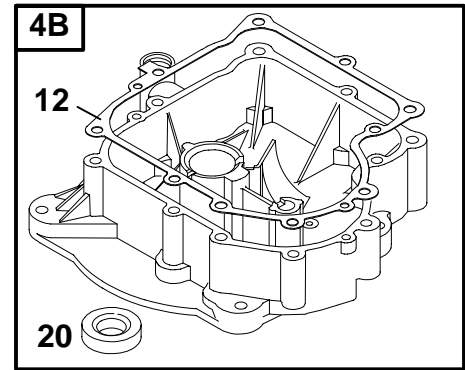
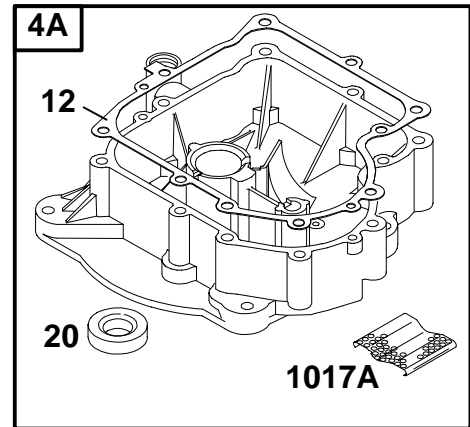
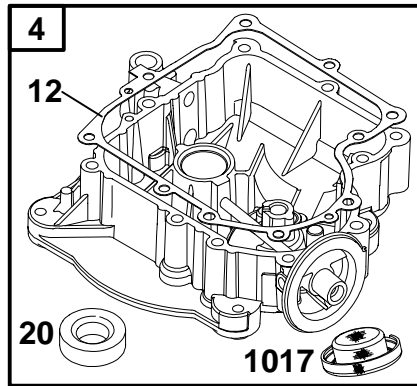
312700 to 312799



REF. NO.	PART NO.	DESCRIPTION	REF. NO.	PART NO.	DESCRIPTION	REF. NO.	PART NO.	DESCRIPTION	
16	690136	Crankshaft	28	498319	Pin-Piston (Standard)	146	94196	Key-Timing	
24	222698	Key-Flywheel			Note	741	691284	Gear-Timing	
25	692271	Piston Assembly (Standard)			498320	Pin-Piston (.005" O.S.)	757	213998	Link-Counterweight
		Note	29	692419	Rod-Connecting (Standard)	758	692423	Counterweight	
		692272			Note	759	691239	Pin-Counterweight	
		Piston Assembly (.010" O.S.)			692420	Rod-Connecting (.020" Undersize)	761	691096	Screw (Counterweight)
		692273	32	692852	Screw (Connecting Rod)	1035	693784	Shaft-Pump (Used After Code Date 98063000).	
		Piston Assembly (.020" O.S.)				1055	690528	Tube-Oil Pump	
		692274	43	490815	Slinger-Governor/Oil				
		Piston Assembly (.030" O.S.)	46	693450	Camshaft (Used After Code Date 98063000).				
26	690162	Ring Set (Standard)	46A	692422	Camshaft (Used Before Code Date 98070100).				
		Note			Note				
		690164			692421	Camshaft Used on Type No(s) 0136.			
		Ring Set (.010" O.S.)							
		690166							
		Ring Set (.020" O.S.)							
		690168							
		Ring Set (.030" O.S.)							
27	691299	Lock-Piston Pin							

★ Included in Engine Gasket Set-Ref. No 358.
 △ Included in Valve Overhaul Kit-Ref. No. 1095.

● Included in Carburetor Overhaul Kit-Ref. No. 121, 121A.
 ◆ Included in Carburetor Gasket Set-Ref. No. 977, 977A.
 ■ Included in All Kits ★△◆◆.



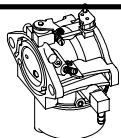
REF. NO.	PART NO.	DESCRIPTION	REF. NO.	PART NO.	DESCRIPTION	REF. NO.	PART NO.	DESCRIPTION
4	693582	Sump-Engine (Used After Code Date 98063000).	12	★271916	Gasket-Crankcase (Standard)	15B	94880	Plug-Oil Drain (Flush) Used on Type No(s). 0130. (Used Before Code Date 98070100).
4A	496742	Sump-Engine (Used Before Code Date 98070100).		Note		20	★291675	Seal-Oil (PTO Side)
4B	494238	Sump-Engine Used on Type No(s). 0136.		★271997	Gasket-Crankcase (.005")	22	692125	Screw (Engine Sump)
			15	94239	Plug-Oil Drain (Standard)	1017	690770	Screen-Oil Pump (Push In)
			15A	690283	Plug-Oil Drain (Oil Filter Adapter)	1017A	691216	Screen-Oil Pump (Snap On)

★ Included in Engine Gasket Set-Ref. No 358.
 Δ Included in Valve Overhaul Kit-Ref. No. 1095.

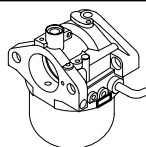
● Included in Carburetor Overhaul Kit-Ref. No. 121, 121A.
 ◆ Included in Carburetor Gasket Set-Ref. No. 977, 977A.
 ■ Included in All Kits ★Δ◆◆.

312700 to 312799

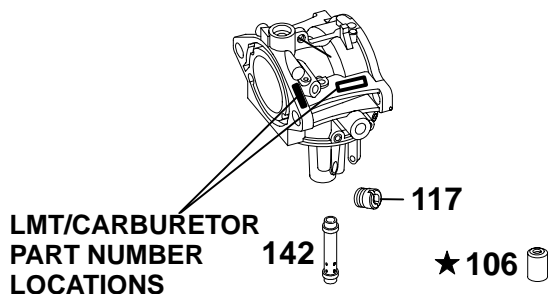
WALBRO



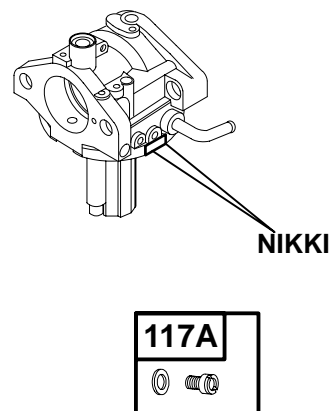
NIKKI



125



125A



★ REQUIRES SPECIAL TOOLS
TO INSTALL. SEE REPAIR
INSTRUCTION MANUAL.

SEE NEXT PAGE FOR COMPONENT SERVICE

REF. NO.	PART NO.	DESCRIPTION	REF. NO.	PART NO.	DESCRIPTION	REF. NO.	PART NO.	DESCRIPTION
106	●231854	Seat-Inlet (Gravity Feed, LMT 154, 155) ———— Note ———— ●231856 Seat-Inlet (Pump Feed, LMT 153, 156)	117A	●695415	Jet-Main (Standard) ———— Note ———— ●695416 Jet-Main (High Altitude)	125A		Carburetor (Nikki) (Service with Walbro Carburetor)
117	●692408	Jet-Main (Standard) ———— Note ———— 692411 Jet-Main (High Altitude)	125	690194	Carburetor (Gravity Feed, LMT 155) ———— Note ———— 693194 Carburetor (Pump Feed, LMT 156, Gen Set) Used on Type No(s). 0127, 0136.	142	●692412	Nozzle-Carburetor

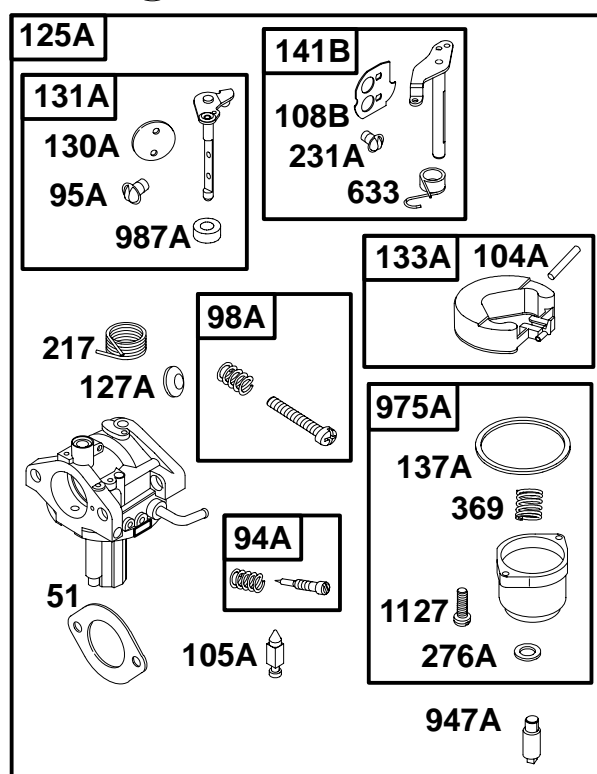
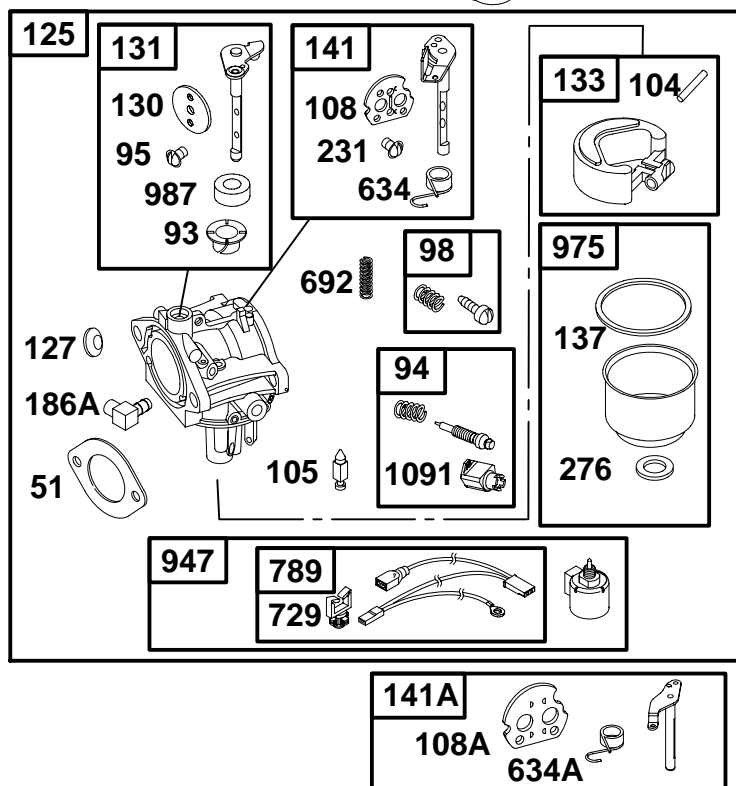
★ Included in Engine Gasket Set-Ref. No 358.
△ Included in Valve Overhaul Kit-Ref. No. 1095.

● Included in Carburetor Overhaul Kit-Ref. No. 121, 121A.
◆ Included in Carburetor Gasket Set-Ref. No. 977, 977A.
■ Included in All Kits ★△◆◆.

WALBRO



NIKKI

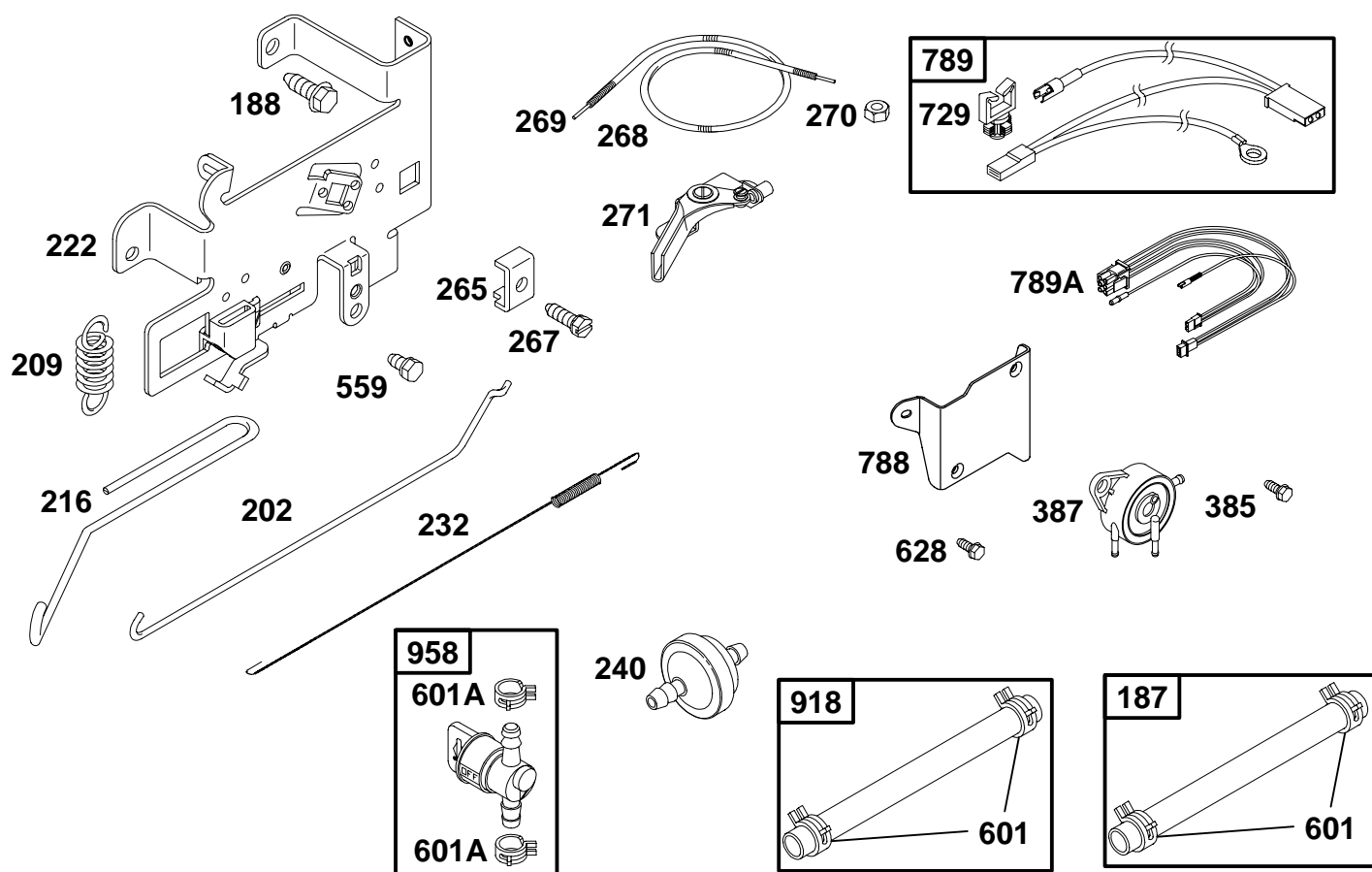


REF. NO.	PART NO.	DESCRIPTION	REF. NO.	PART NO.	DESCRIPTION	REF. NO.	PART NO.	DESCRIPTION
51	■273650	Gasket-Intake	125A		Carburetor (See Previous Page for Service)	276	●●281164	Washer-Sealing
93	690602	Bushing-Throttle Shaft	127	●695005	Plug-Welch	276A	●●695410	Washer-Sealing
94	498030	Kit-Idle Mixture	127A	●690727	Plug-Welch	369	695422	Spring-Float Bowl
94A	695425	Kit-Idle Mixture	130	224539	Valve-Throttle	633	695414	Seal-Choke/Throttle Shaft
95	●94098	Screw (Throttle Valve)	130A	695418	Valve-Throttle	634	●690801	Spring/Seal Assembly (Manual Choke, LMT 155, 156)
95A	●690718	Screw (Throttle Valve)	131	494379	Kit-Throttle Shaft	634A	●690802	Spring/Seal Assembly (Choke A Matic, LMT 153, 154)
98	495800	Kit-Idle Speed	131A	695421	Kit-Throttle Shaft	692	690572	Spring-Detent
98A	695408	Kit-Idle Speed	133	494381	Float-Carburetor	729	691335	Clip-Wire (Wire Saddle)
104	●690525	Pin-Float Hinge	133A	694914	Float-Carburetor	789	497708	Harness-Wiring
104A	●694918	Pin-Float Hinge	137	●●281165	Gasket-Float Bowl	947	692734	Solenoid-Fuel
105	●231855	Valve-Float Needle	137A	●●695426	Gasket-Float Bowl	947A	695423	Solenoid-Fuel
105A	●694922	Valve-Float Needle	141	495097	Kit-Choke Shaft (Manual Choke, LMT 155, 156)	975	495933	Bowl-Float
108	690464	Valve-Choke (Manual Choke, LMT 155, 156)	141A	495931	Kit-Choke Shaft (Choke A Matic, LMT 153, 154)	975A	695417	Bowl-Float
108A	692344	Valve-Choke (Choke A Matic, LMT 153, 154)	141B	695420	Kit-Choke Shaft	987	●691326	Seal-Throttle Shaft
108B	695419	Valve-Choke	186A	493496	Connector-Hose	987A	●690998	Seal-Throttle Shaft
125		Carburetor (See Previous Page for Service)	217	695409	Spring-Choke Return	1091	691333	Cap-Limiter
			231	●94098	Screw (Choke Valve)	1127	695407	Screw (Float Bowl)
			231A	●690718	Screw (Choke Valve)			

★ Included in Engine Gasket Set-Ref. No 358.
 △ Included in Valve Overhaul Kit-Ref. No. 1095.

● Included in Carburetor Overhaul Kit-Ref. No. 121, 121A.
 ◆ Included in Carburetor Gasket Set-Ref. No. 977, 977A.
 ■ Included in All Kits ★△◆.

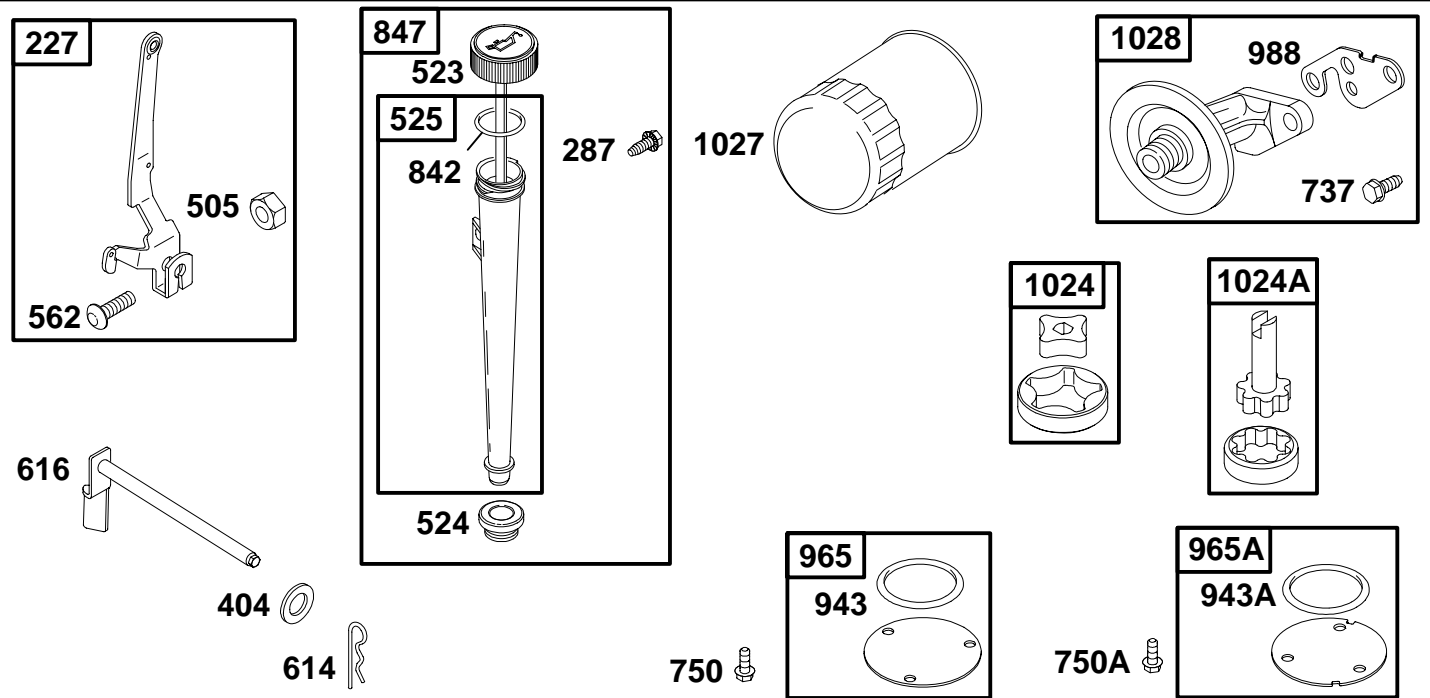
312700 to 312799



REF. NO.	PART NO.	DESCRIPTION	REF. NO.	PART NO.	DESCRIPTION	REF. NO.	PART NO.	DESCRIPTION
187	298049	Line-Fuel (Cut to Required Length)	232	262785	Spring-Governor Link	559	94896	Screw (Remote Choke Stop)
188	94929	Screw (Control Bracket)	240	298090	Filter-Fuel (150 Micron)	601	95162	Clamp-Hose (Spring Wire)
202	262767	Link-Mechanical Governor	Note _____			601A	93807	Clamp-Hose (Spring Steel)
209	260695	Spring-Governor (Green)	265	221535	Clamp-Casing	628	94896	Screw (Fuel Pump Bracket)
		Note _____	267	94906	Screw (Casing Clamp)	729	691335	Clip-Wire
		260871 Spring-Governor (Red) Used on Type No(s). 0131.	268	65616	Casing-Control Wire (Cut to Required Length)	788	692133	Bracket-Fuel Pump
216	262766	Link-Choke	269	26633	Wire-Control (Cut to Required Length)	789	497708	Harness-Wiring
222	694042	Bracket-Control (Used After Code Date 99011100).	270	63426	Nut (Control Wire Casing)	789A	695050	Harness-Wiring (Six Pin Customer Conversion)
		Note _____	271	290568	Lever-Control	918	393815	Hose-Vacuum
		495611 Bracket-Control (Used Before Code Date 99011200).	385	690960	Screw (Fuel Pump)	958	494768	Valve-Fuel Shut Off
			387	808656	Pump-Fuel			

★ Included in Engine Gasket Set-Ref. No 358.
 △ Included in Valve Overhaul Kit-Ref. No. 1095.

● Included in Carburetor Overhaul Kit-Ref. No. 121, 121A.
 ◆ Included in Carburetor Gasket Set-Ref. No. 977, 977A.
 ■ Included in All Kits ★△◆◆.

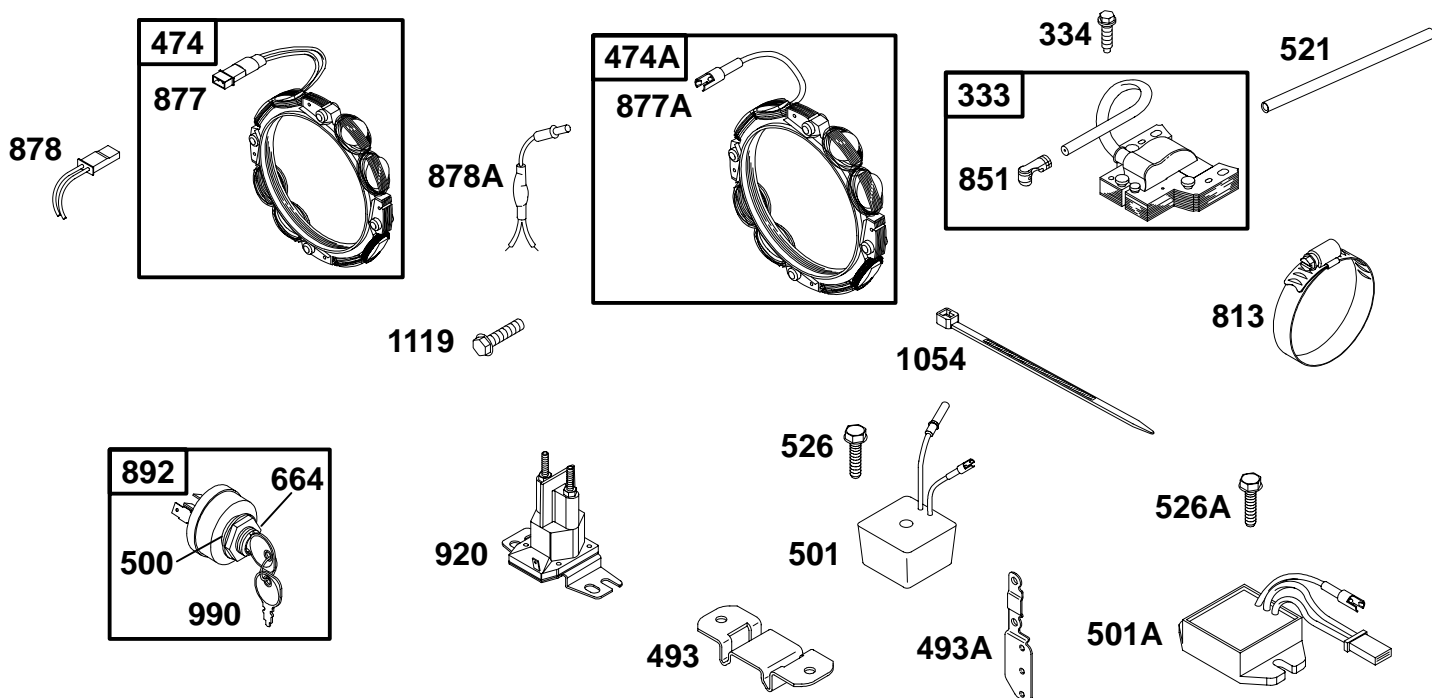


REF. NO.	PART NO.	DESCRIPTION	REF. NO.	PART NO.	DESCRIPTION	REF. NO.	PART NO.	DESCRIPTION
227	691374	Lever-Governor Control (Standard)	750	691033	Screw (Oil Pump Cover) (1/2" Long) (Used After Code Date 98063000).	965	499613	Cover-Oil Pump (Used After Code Date 98063000).
287	94903	Screw (Dipstick Tube)	750A	690960	Screw (Oil Pump Cover) (Used Before Code Date 98070100).	965A	496745	Cover-Oil Pump (Used Before Code Date 98070100).
404	94927	Washer (Governor Crank)	842	★270920	Seal-O Ring (Dipstick)	988	★691317	Gasket-Oil Adapter
505	691251	Nut (Governor Control Lever)	847	496415	Dipstick/Tube Assembly	1024	499054	Pump-Oil (Used After Code Date 98063000).
523	495230	Dipstick	943	★690589	Seal-O Ring (Oil Pump Cover) (Used After Code Date 98063000).	1024A	493884	Pump-Oil (Used Before Code Date 98070100).
524	★281370	Seal-Dipstick Tube	943A	★690604	Seal-O Ring (Oil Pump Cover) (Used Before Code Date 98070100).	1027	492932	Filter-Oil
525	691398	Tube-Dipstick				1028	496744	Adapter-Oil Filter (Used Before Code Date 98070100).
562	691119	Bolt (Governor Control Lever)						
614	93306	Pin-Cotter						
616	495157	Crank-Governor						
737	691118	Screw (Oil Filter Adapter)						

★ Included in Engine Gasket Set-Ref. No 358.
 Δ Included in Valve Overhaul Kit-Ref. No. 1095.

● Included in Carburetor Overhaul Kit-Ref. No. 121, 121A.
 ◆ Included in Carburetor Gasket Set-Ref. No. 977, 977A.
 ■ Included in All Kits ★Δ◆◆.

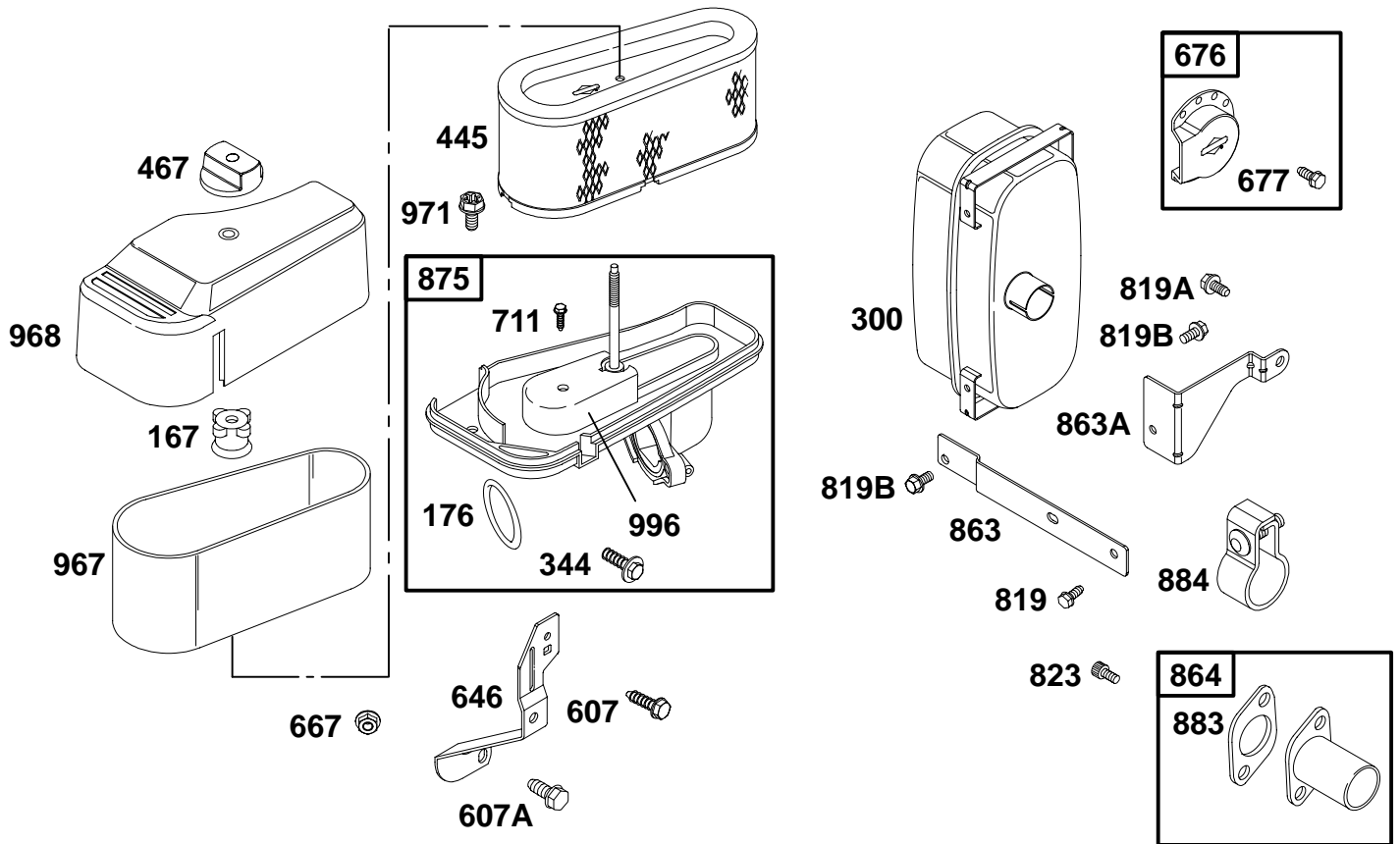
312700 to 312799



REF. NO.	PART NO.	DESCRIPTION	REF. NO.	PART NO.	DESCRIPTION	REF. NO.	PART NO.	DESCRIPTION
333	495859	Armature—Magneto	500	691086	Washer (Key Switch)	877A	393537	Wire/Connector— Alternator (Tri Circuit)
334	94731	Screw (Magneto Armature)	501	491546	Regulator (10 Amp)	878	393362	Harness—Alternator (Dual Circuit) Used on Type No(s). 0128, 0130.
474	393474	Alternator (Dual Circuit) Used on Type No(s). 0128, 0130.	501A	394890	Regulator (16 Amp)			Note 392606 Harness— Alternator (Tri Circuit) (Used Before Code Date 97092900). Used on Type No(s). 0130.
		Note 393295 Alternator (Regulated) Used on Type No(s). 0151.	521	690581	Shield—Cable (Regulator)	878A	392606	Harness—Alternator (Tri Circuit) Used on Type No(s). 0101, 0131, 0150.
474A	392595	Alternator (Tri Circuit, 5 and 9 Amp) Used on Type No(s). 0101, 0127, 0129, 0131, 0136, 0150.	526	694476	Screw (Regulator)	892	493625	Switch—Key
		Note 393295 Alternator (Regulated) (Used Before Code Date 97092900). Used on Type No(s). 0130, 0151.			Note 690326 Screw (Regulator) (Used Before Code Date 99070600).	920	807829	Solenoid—Starter
493	691177	Bracket—Mounting (10 Amp Regulator)	526A	692598	Screw (Regulator)	990	392832	Key Set
493A	694475	Bracket—Mounting (16 Amp Regulator)	664	691087	Nut (Key Switch)	1054	280275	Tie—Cable
			813	690635	Clamp	1119	93621	Screw (Alternator)
			851	692424	Terminal—Sparkplug			
			877	393456	Wire/Connector— Alternator (Dual Circuit)			
					Note 399916 Wire/ Connector—Alternator (Regulated) Used on Type No(s). 0151.			

★ Included in Engine Gasket Set—Ref. No 358.
 △ Included in Valve Overhaul Kit—Ref. No. 1095.

● Included in Carburetor Overhaul Kit—Ref. No. 121, 121A.
 ◆ Included in Carburetor Gasket Set—Ref. No. 977, 977A.
 ■ Included in All Kits ★△◆◆.

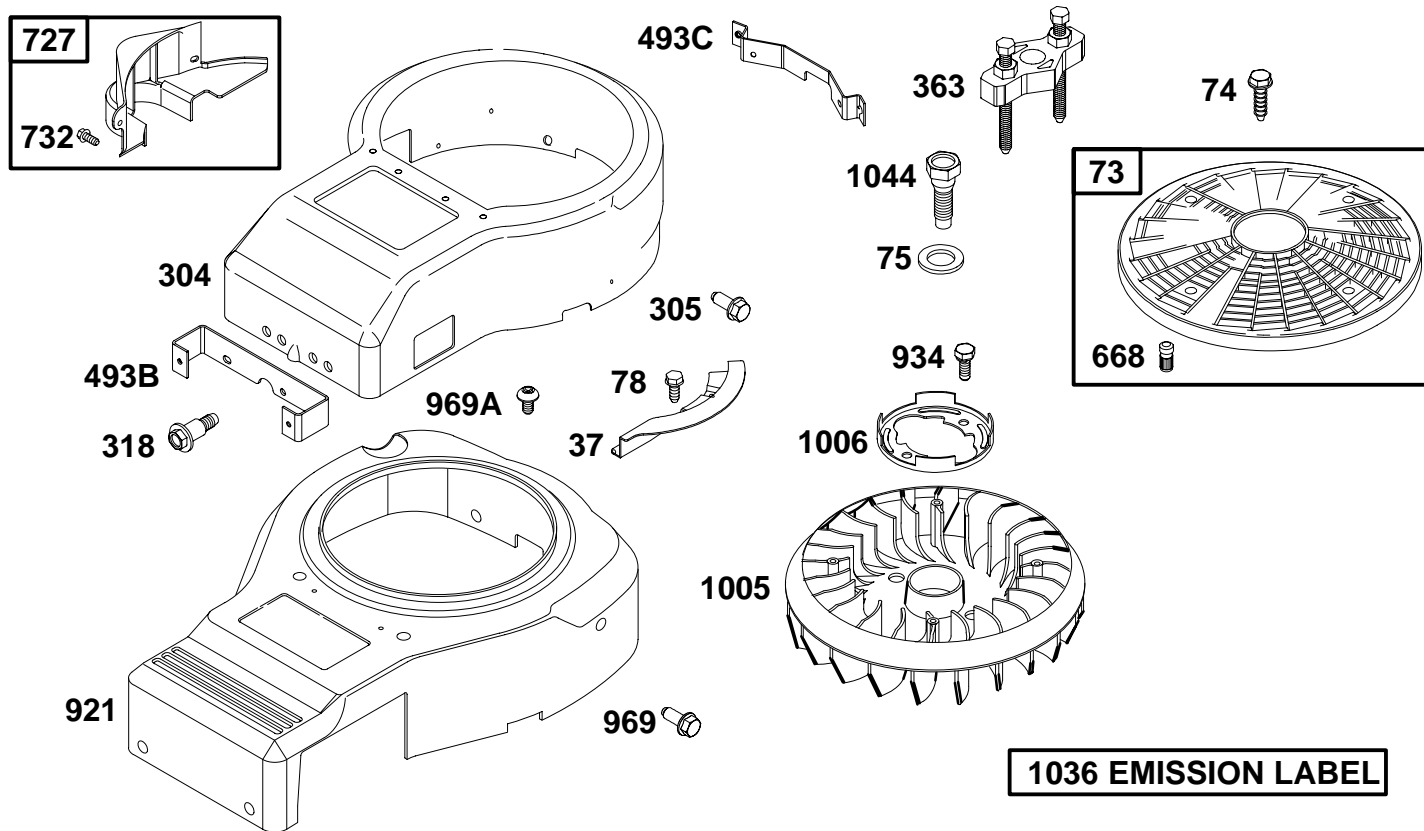


REF. NO.	PART NO.	DESCRIPTION	REF. NO.	PART NO.	DESCRIPTION	REF. NO.	PART NO.	DESCRIPTION
167	281051	Seal—Air Cleaner Nut	667	94010	Nut (Air Cleaner Brace)	863	691204	Bracket—Muffler (Lower)
176	★281106	Seal—O Ring (Air Cleaner Base)	676	393761	Deflector—Muffler (Side Out)	863A	691205	Bracket—Muffler (Without Pipe Flange)
300	690850	Muffler	677	94896	Screw (Muffler Deflector)	864	496750	Adapter—Muffler
344	693675	Screw (Cable Clamp)	711	690703	Screw (Carburator Shield)	875	693686	Base—Air Cleaner (Plastic)
445	496894	Filter—Air Cleaner Cartridge	819	690297	Screw (Muffler Bracket) (1/4" Diameter)	883	★272293	Gasket—Exhaust
467	493903	Knob—Air Cleaner	819A	94847	Screw (Muffler Bracket) (5/16" Diameter)	884	690853	Clamp—Muffler
607	94929	Screw (Air Cleaner Brace) (3/8" Long)	819B	94831	Screw (Muffler Bracket) (3/8" Long)	967	272403	Filter—Pre Cleaner
607A	690703	Screw (Air Cleaner Brace) (7/16" Long)	823	690363	Screw (Muffler Adapter)	968	692355	Cover—Air Cleaner (Dual Element) (Vanguard)
646	690460	Brace—Air Cleaner (Used Before Code Date 98091400).				971	692129	Screw (Air Cleaner Base)
						996	690678	Shield—Carburator

★ Included in Engine Gasket Set—Ref. No. 358.
 △ Included in Valve Overhaul Kit—Ref. No. 1095.

● Included in Carburetor Overhaul Kit—Ref. No. 121, 121A.
 ◆ Included in Carburetor Gasket Set—Ref. No. 977, 977A.
 ■ Included in All Kits ★△◆◆.

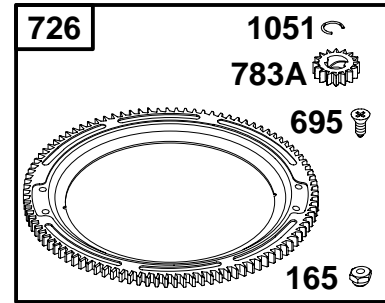
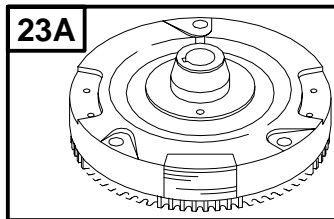
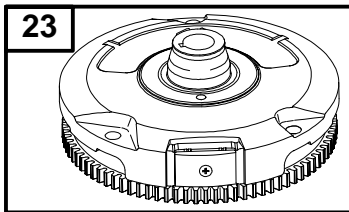
312700 to 312799



REF. NO.	PART NO.	DESCRIPTION	REF. NO.	PART NO.	DESCRIPTION	REF. NO.	PART NO.	DESCRIPTION
37	690456	Guard-Flywheel	668	691500	Spacer (Steel Insert Plastic Rotating Screen)			Note 281400 Fan-Flywheel (Used Before Code Date 00040300).
73	494439	Screen-Rotating	727	490324	Cover-Starter Drive	1006	690452	Retainer-Fan
74	691057	Screw (Rotating Screen) (Used After Code Date 00040200).	732	94903	Screw (Starter Drive Cover)	1036	695700	Label-Emission (Used After Code Date 00063000).
		Note 94821 Screw (Rotating Screen) (Used Before Code Date 00040300).	921	690495	Cover-Blower Housing (Red)			Note 694997 Label-Emission (Used After Code Date 99093000 and Before Code Date 00070100).
75	225136	Washer (Flywheel)			Note 690496 Cover-Blower Housing (Black) Used on Type No(s). 0127, 0128, 0136, 0151.			694332 Label-Emission (Used Before Code Date 99100100 and After Code Date 98123100).
78	94896	Screw (Flywheel Guard)	934	94627	Screw (Fan Retainer)			692468 Label-Emission (Used Before Code Date 99010100).
304	690497	Housing-Blower (Black)	969	690960	Screw (Blower Housing Cover) (5/8" Long)	1044	94673	Screw (Flywheel)
305	690960	Screw (Blower Housing)	969A	690365	Screw (Blower Housing Cover) (1/2" Long)			
318	692127	Screw (Mounting Bracket)	1005	695492	Fan-Flywheel (Used After Code Date 00040200).			
363	19203	Flywheel Puller						
493B	690493	Bracket-Mounting (Blower Housing Front)						
493C	690494	Bracket-Mounting (Blower Housing Rear)						

★ Included in Engine Gasket Set-Ref. No 358.
 Δ Included in Valve Overhaul Kit-Ref. No. 1095.

● Included in Carburetor Overhaul Kit-Ref. No. 121, 121A.
 ◆ Included in Carburetor Gasket Set-Ref. No. 977, 977A.
 ■ Included in All Kits ★Δ◆◆.

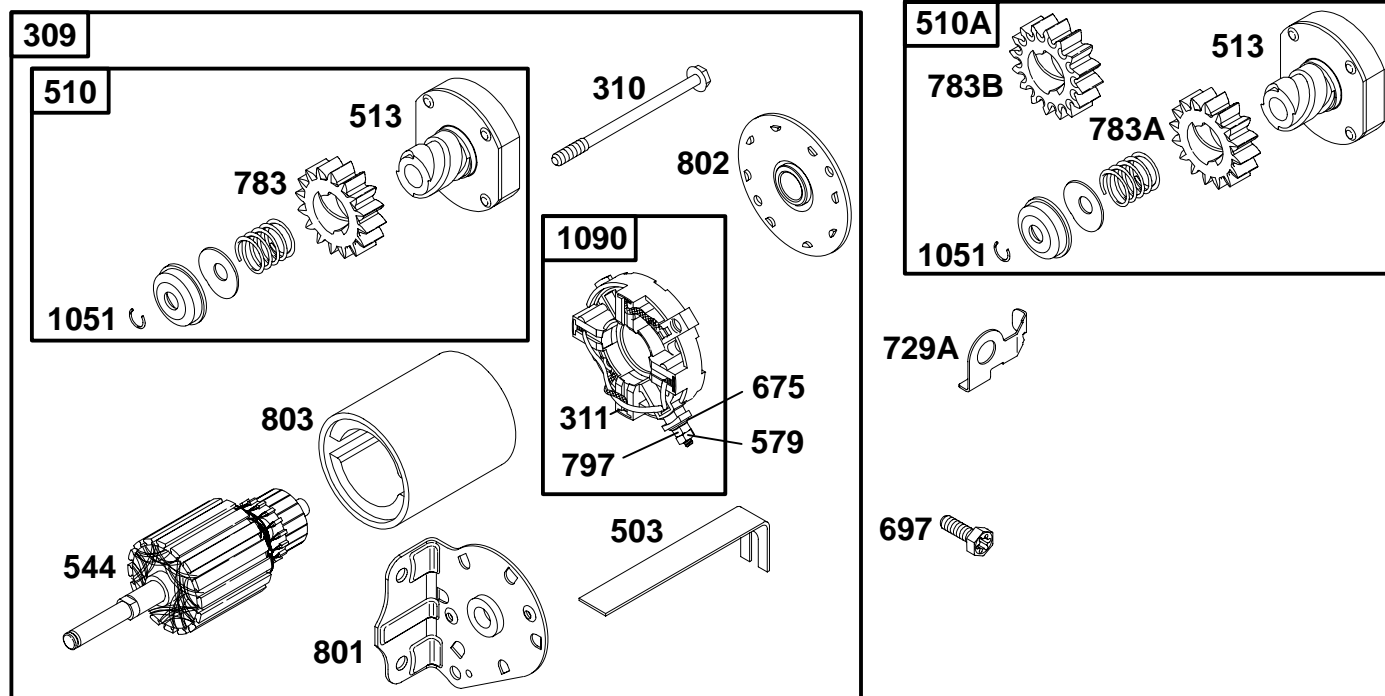


REF. NO.	PART NO.	DESCRIPTION	REF. NO.	PART NO.	DESCRIPTION	REF. NO.	PART NO.	DESCRIPTION
23	693556	Flywheel (Steel Ring Gear) Used on Type No(s). 0101, 0127, 0129, 0131, 0136, 0150, 0151. ———— Note ———— 693557 Flywheel (Steel Ring Gear) Used on Type No(s). 0128, 0130.	23A	492326	Flywheel (Plastic Ring Gear) (Used After Code Date 97092800). Used on Type No(s). 0130. ———— Note ———— 692682 Flywheel (Plastic Ring Gear) Used on Type No(s). 0101, 0131. 692682 Flywheel (Plastic Ring Gear) (Used Before Code Date 97092900). Used on Type No(s). 0130.	165	693148	Nut (Ring Gear)
						695	693109	Screw (Ring Gear)
						726	399676	Gear-Ring (Replaces Plastic Ring Gears Only)
						783A	693059	Gear-Pinion (For Aluminum Ring Gear Only)
						1051	263080	Ring-Retaining

★ Included in Engine Gasket Set-Ref. No 358.
 Δ Included in Valve Overhaul Kit-Ref. No. 1095.

● Included in Carburetor Overhaul Kit-Ref. No. 121, 121A.
 ◆ Included in Carburetor Gasket Set-Ref. No. 977, 977A.
 ■ Included in All Kits ★▲◆◆.

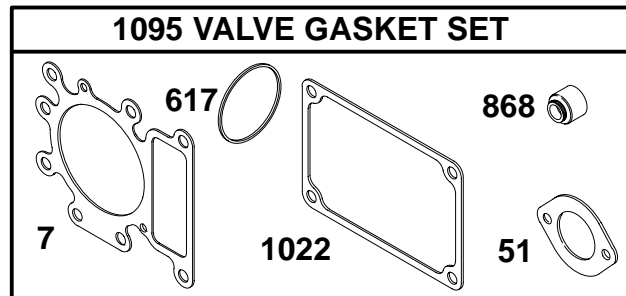
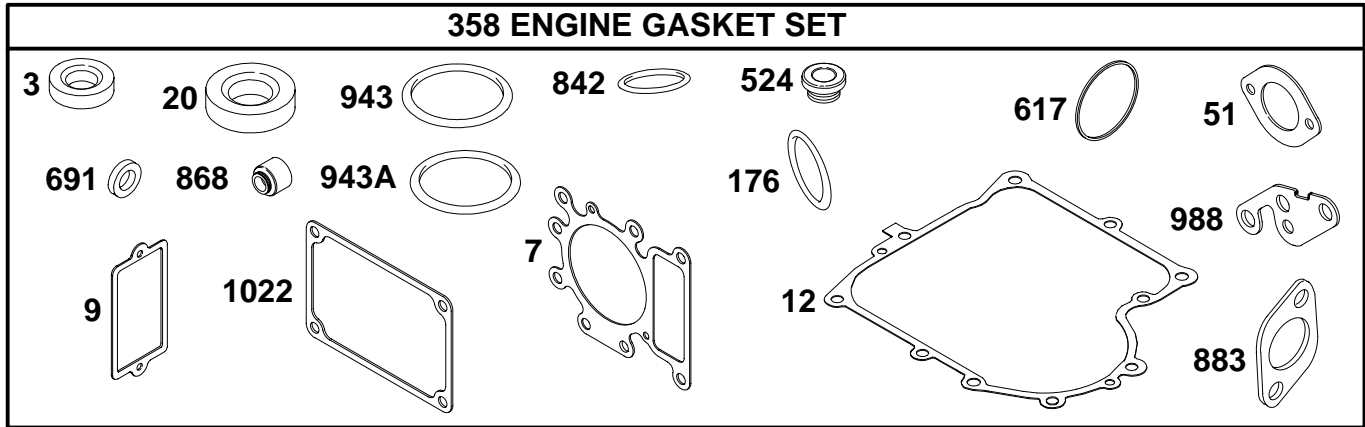
312700 to 312799



REF. NO.	PART NO.	DESCRIPTION	REF. NO.	PART NO.	DESCRIPTION	REF. NO.	PART NO.	DESCRIPTION
309	693551	Motor-Starter (For Steel Ring Gear Only)	510A	497606	Drive-Starter (Used With Aluminum and Plastic Ring Gears)	783B	693058	Gear-Pinion (For Plastic Ring Gear Only)
		Note				797	693167	Nut (Brush Retainer)
		497595 Motor-Starter (For Plastic Ring Gear Only)	513	398003	Clutch-Drive	801	691429	Cap-Drive
		693054 Motor-Starter (For Aluminum Ring Gear Only)	544	497603	Armature-Starter	802	497607	Cap-End
310	690323	Bolt	579	92278	Nut (Starter Cable)	803	691427	Housing-Starter (3 5/8" Housing Length)
311	497608	Brush Set (Starter Motor)	675	225137	Washer (Brush Retainer)	1051	263080	Ring-Retaining
503	691532	Strap-Starter (Used Before Code Date 99070600).	697	690372	Screw (Drive Cap)	1090	691293	Retainer-Brush
510	693699	Drive-Starter (Used With Steel Ring Gear)	729A	691224	Clip-Wire (Used Before Code Date 99070600).			
			783	693713	Gear-Pinion (For Steel Ring Gear Only)			
			783A	693059	Gear-Pinion (For Aluminum Ring Gear Only)			

★ Included in Engine Gasket Set-Ref. No 358.
 △ Included in Valve Overhaul Kit-Ref. No. 1095.

● Included in Carburetor Overhaul Kit-Ref. No. 121, 121A.
 ◆ Included in Carburetor Gasket Set-Ref. No. 977, 977A.
 ■ Included in All Kits ★△◆◆.



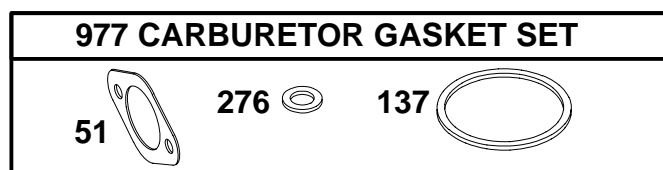
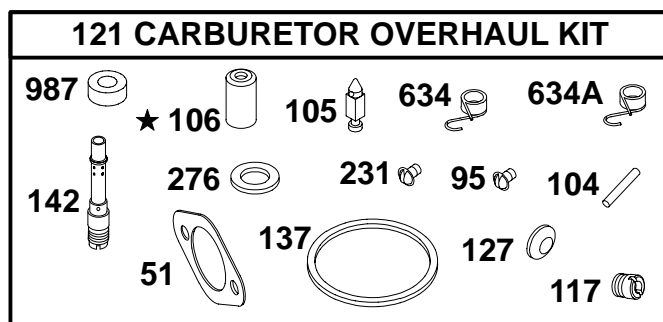
REF. NO.	PART NO.	DESCRIPTION	REF. NO.	PART NO.	DESCRIPTION	REF. NO.	PART NO.	DESCRIPTION
3	★391086	Seal—Oil (Magneto Side)	20	★291675	Seal—Oil (PTO Side)	883	★272293	Gasket—Exhaust
7	Δ★692410	Gasket—Cylinder Head	51	■273650	Gasket—Intake	943	★690589	Seal—O Ring (Oil Pump Cover) (Used After Code Date 98063000).
9	★27803	Gasket—Breather	176	★281106	Seal—O Ring (Air Cleaner Base)	943A	★690604	Seal—O Ring (Oil Pump Cover) (Used Before Code Date 98070100).
12	★271916	Gasket—Crankcase (Standard)	358	690189	Gasket Set—Engine	988	★691317	Gasket—Oil Adapter
		Note	524	★281370	Seal—Dipstick Tube	1022	Δ★272475	Gasket—Rocker Cover
		★271997 Gasket—Crankcase (.005")	617	Δ★692138	Seal—O Ring (Intake Manifold)	1095	690190	Gasket Set—Valve
		★271996 Gasket—Crankcase (.009")	691	★491323	Seal—Governor Shaft			
			842	★270920	Seal—O Ring (Dipstick)			
			868	Δ★690968	Seal—Valve			

★ Included in Engine Gasket Set—Ref. No. 358.
 Δ Included in Valve Overhaul Kit—Ref. No. 1095.

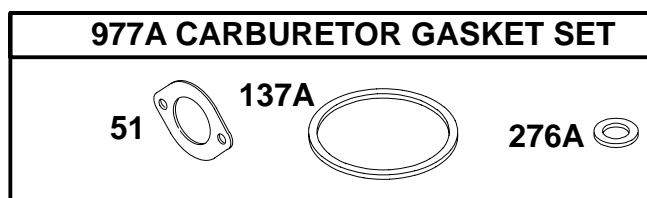
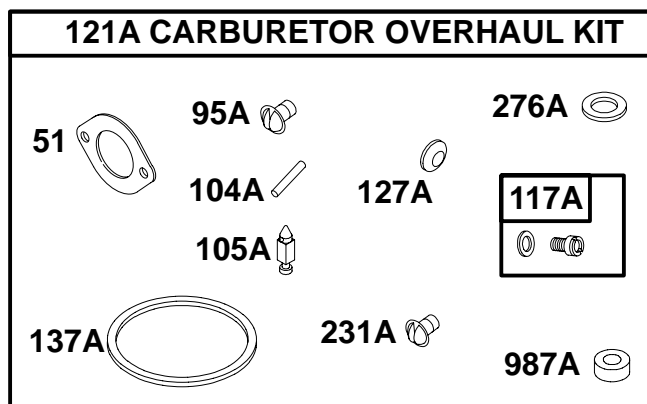
● Included in Carburetor Overhaul Kit—Ref. No. 121, 121A.
 ◆ Included in Carburetor Gasket Set—Ref. No. 977, 977A.
 ■ Included in All Kits ★Δ◆◆.

312700 to 312799

WALBRO



NIKKI



★ REQUIRES SPECIAL TOOLS TO INSTALL. SEE REPAIR INSTRUCTION MANUAL.

REF. NO.	PART NO.	DESCRIPTION	REF. NO.	PART NO.	DESCRIPTION	REF. NO.	PART NO.	DESCRIPTION
51	■273650	Gasket-Intake	117	●692408	Jet-Main (Standard)	231	●94098	Screw (Choke Valve)
95	●94098	Screw (Throttle Valve)	117A	●695415	Jet-Main (Standard)	231A	●690718	Screw (Choke Valve)
95A	●690718	Screw (Throttle Valve)			Note	276	●281164	Washer-Sealing
104	●690525	Pin-Float Hinge		●695416	Jet-Main (High Altitude)	276A	●695410	Washer-Sealing
104A	●694918	Pin-Float Hinge	121	690191	Kit-Carburetor Overhaul	634	●690801	Spring/Seal Assembly (Manual Choke, LMT 155, 156)
105	●231855	Valve-Float Needle	121A	695427	Kit-Carburetor Overhaul	634A	●690802	Spring/Seal Assembly (Choke A Matic, LMT 153, 154)
105A	●694922	Valve-Float Needle	127	●695005	Plug-Welch	977	690192	Gasket Set-Carburetor
106	●231854	Seat-Inlet (Gravity Feed, LMT 154, 155)	127A	●690727	Plug-Welch	977A	695428	Gasket Set-Carburetor
		Note	137	●281165	Gasket-Float Bowl	987	●691326	Seal-Throttle Shaft
		●231856 Seat-Inlet (Pump Feed, LMT 153, 156)	137A	●695426	Gasket-Float Bowl	987A	●690998	Seal-Throttle Shaft
			142	●692412	Nozzle-Carburetor			

★ Included in Engine Gasket Set-Ref. No 358.
 Δ Included in Valve Overhaul Kit-Ref. No. 1095.

● Included in Carburetor Overhaul Kit-Ref. No. 121, 121A.
 ◆ Included in Carburetor Gasket Set-Ref. No. 977, 977A.
 ■ Included in All Kits ★Δ◆◆.