

311700 to 311799

Illustrated Parts List

Model Series

311700 to 311799

TYPE NUMBERS

0005, 0026, 0028,
0036, 0038, 0070,
0101, 0105, 0115,
0120, 0131, 0132,
0133, 0134, 0137,
0139, 0140, 0141,
0142, 0143, 0144,
0145, 0146, 0148,
0151, 0152, 0153,
0154, 0156, 0157,
0159.

TO FIND**THE CORRECT NUMBER OF THE PART YOU NEED:
FOLLOW THE INSTRUCTIONS BELOW**

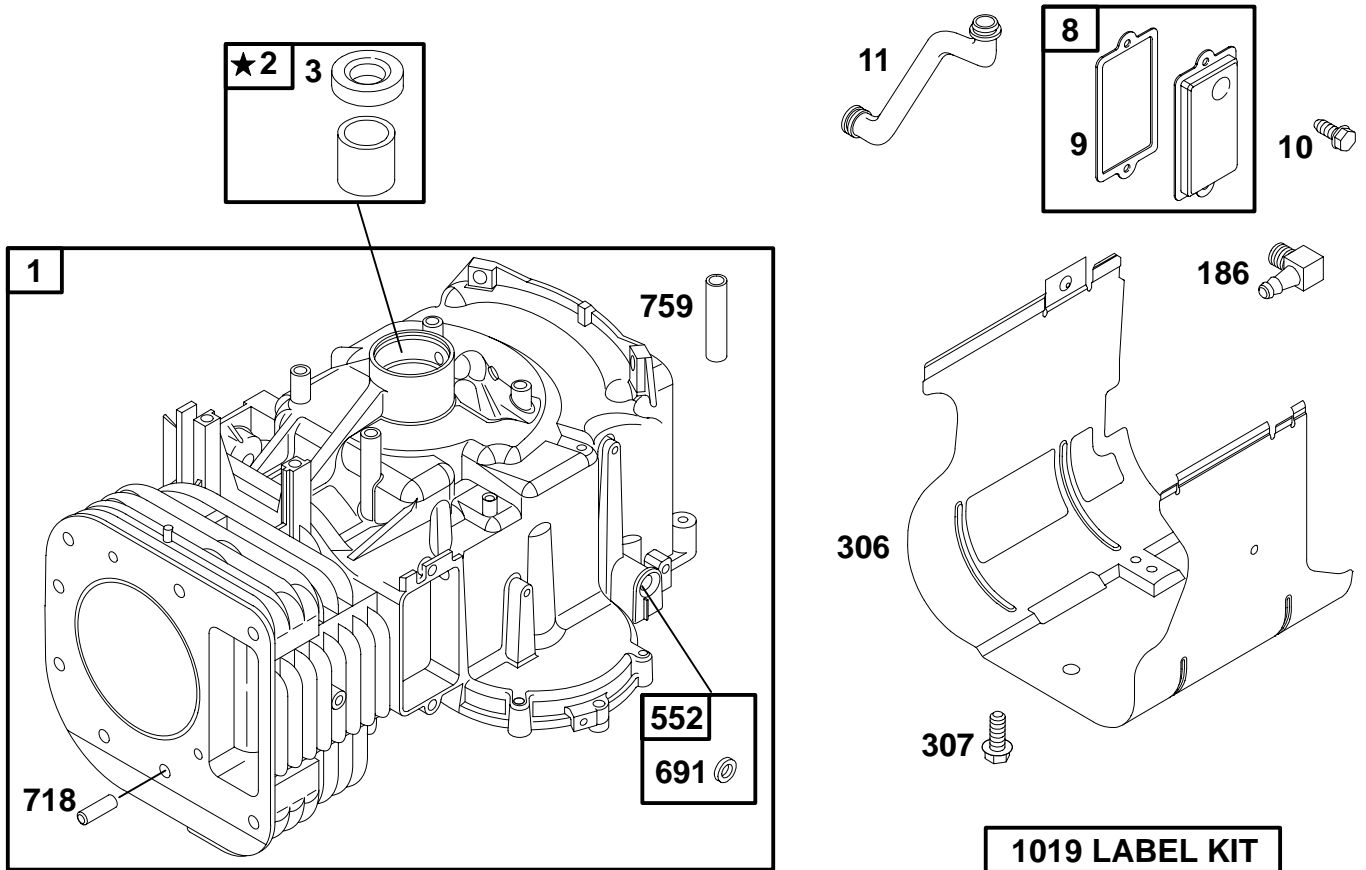
- A. Refer to Engine Model, Type and Code Number that is stamped on the blower housing of engine. Engine type numbers such as 0123 01 are listed only as 0123 in most instances. The two digits (01 or 02, etc.) to the right of the space may be required for more accurate parts identification in some instances. Select the Illustrated Parts List covering the correct Model Series and Type Number.
- B. Refer to the Illustrations and compare the original part with Illustration. The number next to the illustration is the Reference Number. Assemblies include all parts shown in frames. All parts shown in assembly frames having individual reference numbers can be purchased separately.
- C. After the Reference Number has been identified, refer to the Numerical text, where Reference and Primary Part Number are listed. **THE PRIMARY PART IS USED ON ALL TYPE NUMBERS EXCEPT THOSE TYPE NUMBERS UNDER "NOTE."**
- D. If a "Note" appears below the Primary Part Number, it means that this part differs from the Primary Part for certain types. If your Type number is listed under "Note," order the part referred to at the "Note."
- E. If your Engine Type Number does not appear after any part number listed under "Note," use the Primary Part Number.
- F. For Engine Type Numbers not covered by this book, check other Parts Lists having the same engine model or contact your source of supply.

PRINTED IN U.S.A.



COPYRIGHT by BRIGGS & STRATTON CORPORATION
All rights reserved. No part of this material may be reproduced or transmitted, in any form or by any means, electronic or mechanical, including photocopying, recording or by any information storage and retrieval system, without permission in writing from Briggs & Stratton Corporation.

311700 to 311799



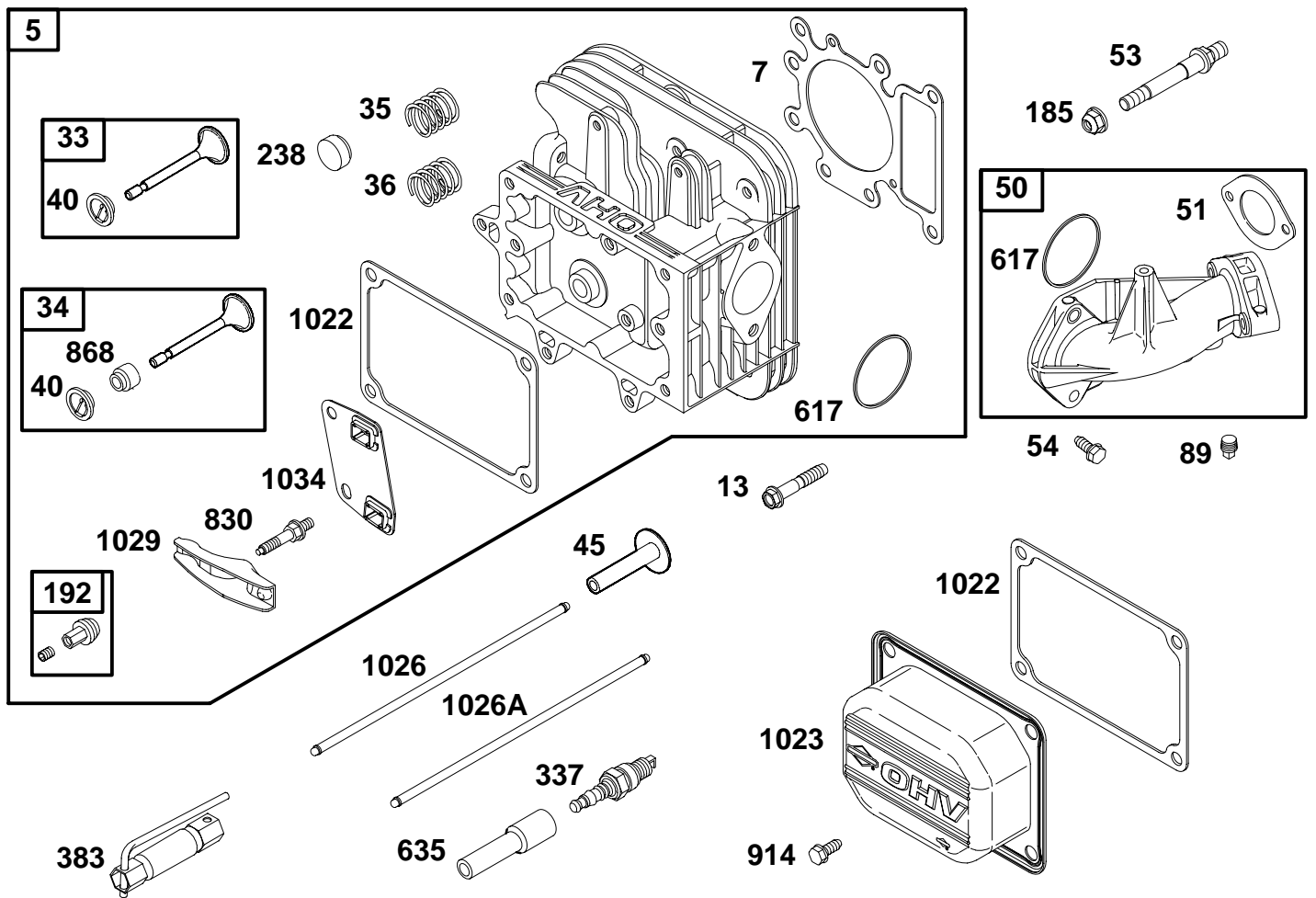
★ **REQUIRES SPECIAL TOOLS TO INSTALL. SEE REPAIR INSTRUCTION MANUAL.**

1019 LABEL KIT
1058 OWNER'S MANUAL

REF. NO.	PART NO.	DESCRIPTION	REF. NO.	PART NO.	DESCRIPTION	REF. NO.	PART NO.	DESCRIPTION
1	690156	Cylinder Assembly	9	★27803	Gasket-Breather	552	491986	Bushing-Governor Crank
2	399265	Kit-Bushing/Seal (Magneto Side)	10	691666	Screw (Breather Assembly)	691	★491323	Seal-Governor Shaft
3	★391086	Seal-Oil (Magneto Side)	11	691328	Tube-Breather	718	230192	Pin-Locating
8	495735	Breather Assembly (Standard)	186	67218	Connector-Hose	759	691239	Pin-Counterweight
<p>Note</p> <p>495734 Breather Assembly (Additional Hole for Hose Connector) Used on Type No(s). 0026, 0036, 0131, 0139, 0141, 0152, 0154, 0156.</p>			306	690499	Shield-Cylinder	1019	690180	Kit-Label
			307	94930	Screw (Cylinder Shield)	1058	274789	Owner's Manual (Emission Engines)

★ Included in Engine Gasket Set – Ref. No. 358.
 Δ Included in Valve Gasket Set – Ref. No. 1095.

● Included in Carburetor Overhaul Kit – Ref. No. 121, 121A.
 ◆ Included in Carburetor Gasket Set – Ref. No. 977, 977A.
 ■ Included in All Kits ★Δ◆

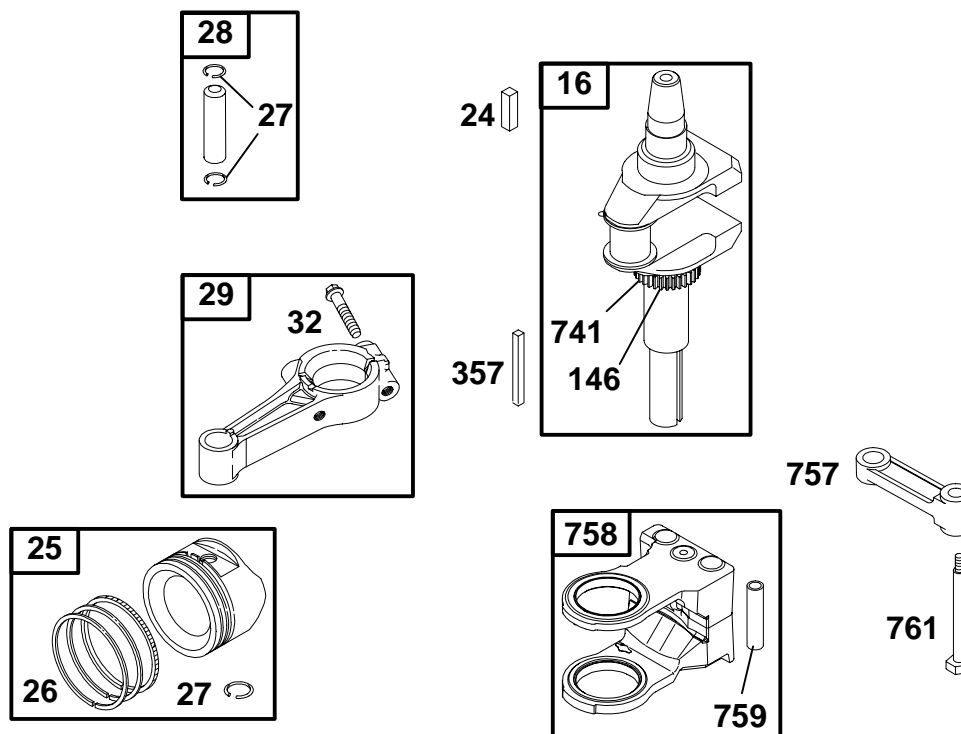


REF. NO.	PART NO.	DESCRIPTION	REF. NO.	PART NO.	DESCRIPTION	REF. NO.	PART NO.	DESCRIPTION
5	690188	Head-Cylinder	53	690227	Stud (Carburetor)	383	89838	Wrench-Sparkplug
7	Δ*692410	Gasket-Cylinder Head	54	691148	Screw (Intake Manifold)	617	Δ*692138	Seal-O Ring (Intake Manifold)
13	690360	Screw (Cylinder Head)	89	690283	Plug (Intake Manifold)	635	280872	Boot-Sparkplug
33	495856	Valve-Exhaust	185	94010	Nut (Air Cleaner Base)	830	691095	Stud (Rocker Arm)
34	495857	Valve-Intake	192	492160	Adjuster-Rocker Arm	868	Δ*690968	Seal-Valve
35	691279	Spring-Valve (Intake)	238	262836	Cap-Valve	914	690960	Screw (Rocker Arm Cover)
36	691279	Spring-Valve (Exhaust)	337	491055	Sparkplug (Standard)	1022	Δ*272475	Gasket-Rocker Cover
40	224641	Retainer-Valve	377	691043	Sparkplug (Optional, QC12YC) Used on Type No(s). 0146.	1023	692492	Cover-Rocker Arm
45	690564	Tappet-Valve				1026	494432	Rod-Push (Intake)
50	690193	Manifold-Intake				1026A	495136	Rod-Push (Exhaust)
		Note				1029	224554	Arm-Rocker
		695527 Manifold-Intake Used on Type No(s). 0154.				1034	690822	Guide-Push Rod
51	■273650	Gasket-Intake						

★ Included in Engine Gasket Set - Ref. No. 358.
 Δ Included in Valve Gasket Set - Ref. No. 1095.

● Included in Carburetor Overhaul Kit - Ref. No. 121, 121A.
 ◆ Included in Carburetor Gasket Set - Ref. No. 977, 977A.
 ■ Included in All Kits ★Δ◆

311700 to 311799

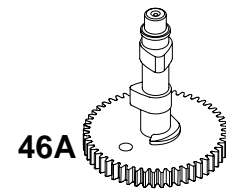
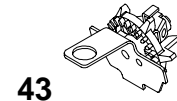
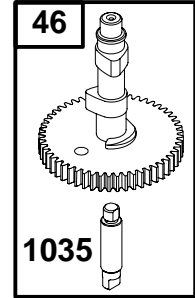
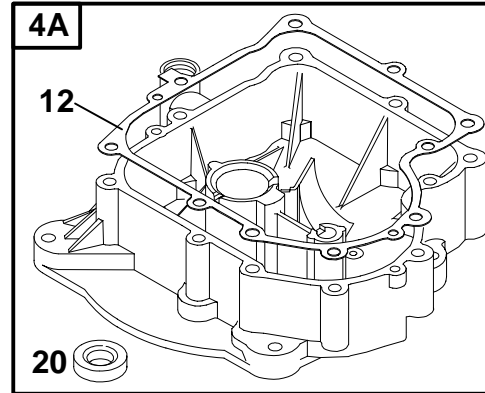
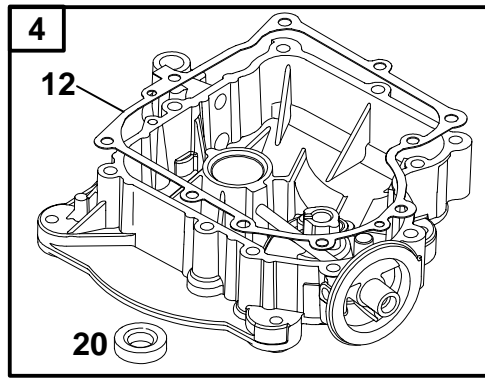


REF. NO.	PART NO.	DESCRIPTION	REF. NO.	PART NO.	DESCRIPTION	REF. NO.	PART NO.	DESCRIPTION
16	690136	Crankshaft Note 694187 Crankshaft Used on Type No(s). 0141, 0152, 0156.	27	691299	Lock-Piston Pin	32	692852	Screw (Connecting Rod)
24	222698	Key-Flywheel	28	498319	Pin-Piston (Standard) Note 498320 Pin-Piston (.005" O.S.)	146	94196	Key-Timing
25	692271	Piston Assembly (Standard) Note 692272 Piston Assembly (.010" O.S.) 692273 Piston Assembly (.020" O.S.) 692274 Piston Assembly (.030" O.S.)	29	692419	Rod-Connecting (Standard) Note 692420 Rod- Connecting (.020" Undersize)	357	91540	Key-Drive Pulley
26	690162	Ring Set (Standard) Note 690164 Ring Set (.010" O.S.) 690166 Ring Set (.020" O.S.) 690168 Ring Set (.030" O.S.)				741	691284	Gear-Timing
						757	213998	Link-Counterweight
						758	692423	Counterweight
						759	691239	Pin-Counterweight
						761	691096	Screw (Counterweight)

★ Included in Engine Gasket Set – Ref. No. 358.
 Δ Included in Valve Gasket Set – Ref. No. 1095.

● Included in Carburetor Overhaul Kit – Ref. No. 121, 121A.
 ◆ Included in Carburetor Gasket Set – Ref. No. 977, 977A.
 ■ Included in All Kits ★Δ◆

★ REQUIRES SPECIAL TOOLS TO INSTALL. SEE REPAIR INSTRUCTION MANUAL



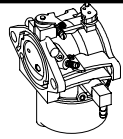
REF. NO.	PART NO.	DESCRIPTION	REF. NO.	PART NO.	DESCRIPTION	REF. NO.	PART NO.	DESCRIPTION
4	693582	Sump-Engine (Used After Code Date 98060300). Note 496742 Sump-Engine (Used Before Code Date 98070100).	15	94239	Plug-Oil Drain (Standard)	1017	690770	Screen-Oil Pump (Push In) (Used After Code Date 98063000).
4A	494238	Sump-Engine Used on Type No(s). 0026, 0132, 0145.	15A	94880	Plug-Oil Drain (Flush)	1017A	691216	Screen-Oil Pump (Snap On) (Used Before Code Date 98070100).
12	★271916	Gasket-Crankcase (.015", Standard) Note ★271997 Gasket-Crankcase (.005") ★271996 Gasket-Crankcase (.009")	20	★291675	Seal-Oil (PTO Side)	1035	693784	Shaft-Pump
			22	692125	Screw (Engine Sump)	1055	690528	Tube-Oil Pump
			43	490815	Slinger-Governor/Oil			
			46	693450	Camshaft (Used After Code Date 98063000).			
			46A	692421	Camshaft Used on Type No(s). 0026, 0132, 0145. Note 692422 Camshaft (Used Before Code Date 98070100).			

★ Included in Engine Gasket Set - Ref. No. 358.
 Δ Included in Valve Gasket Set - Ref. No. 1095.

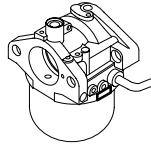
● Included in Carburetor Overhaul Kit - Ref. No. 121, 121A.
 ◆ Included in Carburetor Gasket Set - Ref. No. 977, 977A.
 ■ Included in All Kits ★Δ◆

311700 to 311799

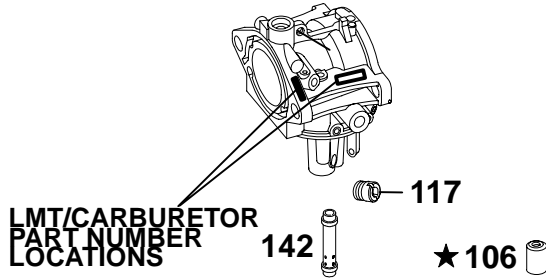
WALBRO



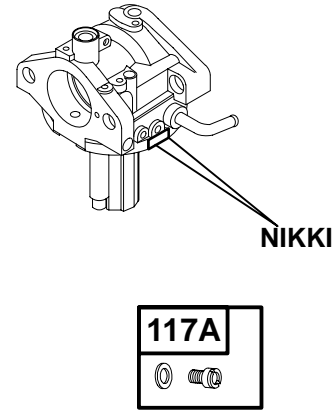
NIKKI



125



125A



SEE NEXT PAGE FOR COMPONENT SERVICE

★ **REQUIRES SPECIAL TOOLS TO INSTALL. SEE REPAIR INSTRUCTION MANUAL.**

REF. NO.	PART NO.	DESCRIPTION	REF. NO.	PART NO.	DESCRIPTION	REF. NO.	PART NO.	DESCRIPTION
106	●231854	Seat-Inlet (Gravity Feed) Note _____ ●231856 Seat-Inlet (Pump Feed)	125	690194	Carburetor (LMT 155, Gravity Feed) Note _____ 693194 Carburetor (LMT 156, Pump Feed) 693773 Carburetor (Gen Set, Pump Feed) Used on Type No(s). 0141, 0152, 0156.	125A		Carburetor (Nikki) (Service with Walbro Carburetor)
117	●692408	Jet-Main (Standard) Note _____ 692411 Jet-Main (High Altitude)				142	●692412	Nozzle-Carburetor
117A	●695415	Jet-Main (Standard) Note _____ ●695416 Jet-Main (High Altitude)						

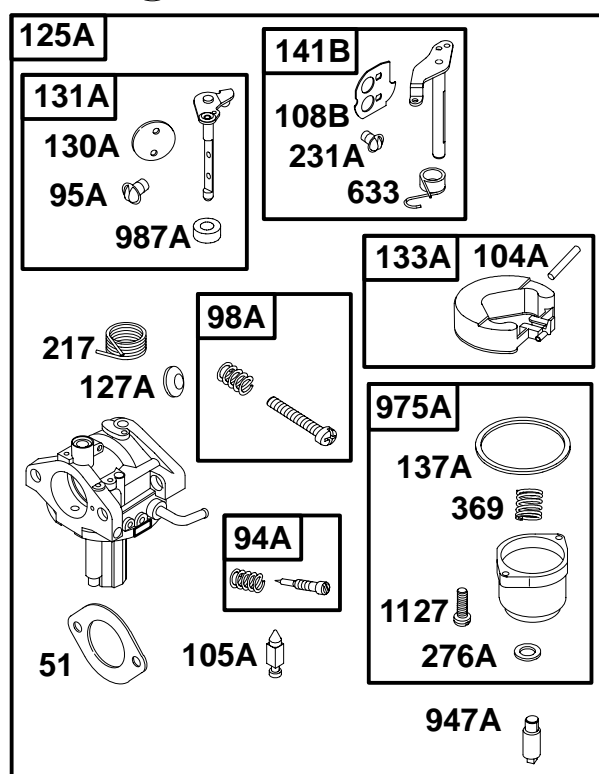
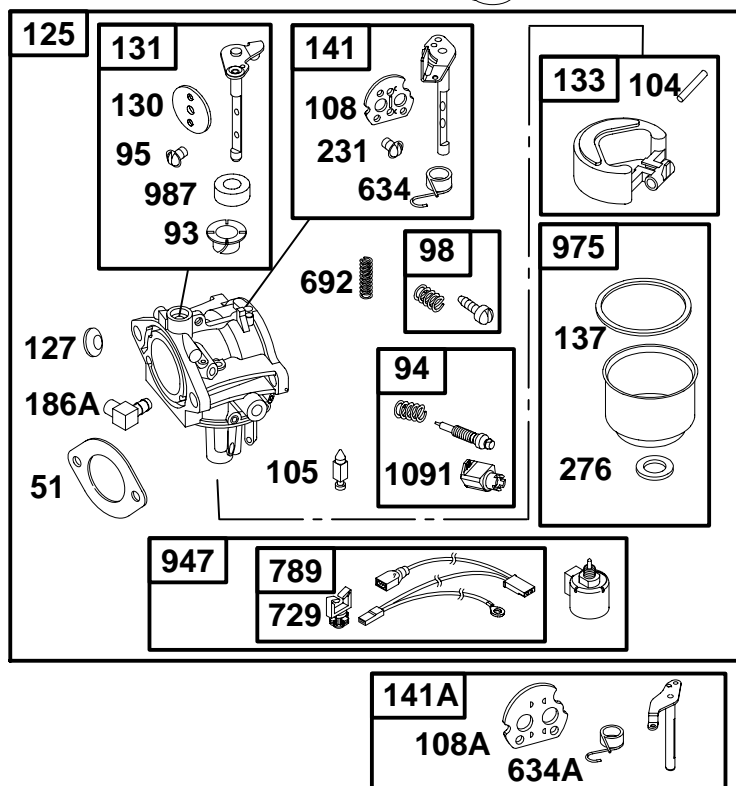
★ Included in Engine Gasket Set – Ref. No. 358.
 Δ Included in Valve Gasket Set – Ref. No. 1095.

● Included in Carburetor Overhaul Kit – Ref. No. 121, 121A.
 ◆ Included in Carburetor Gasket Set – Ref. No. 977, 977A.
 ■ Included in All Kits ★Δ◆◆

WALBRO



NIKKI

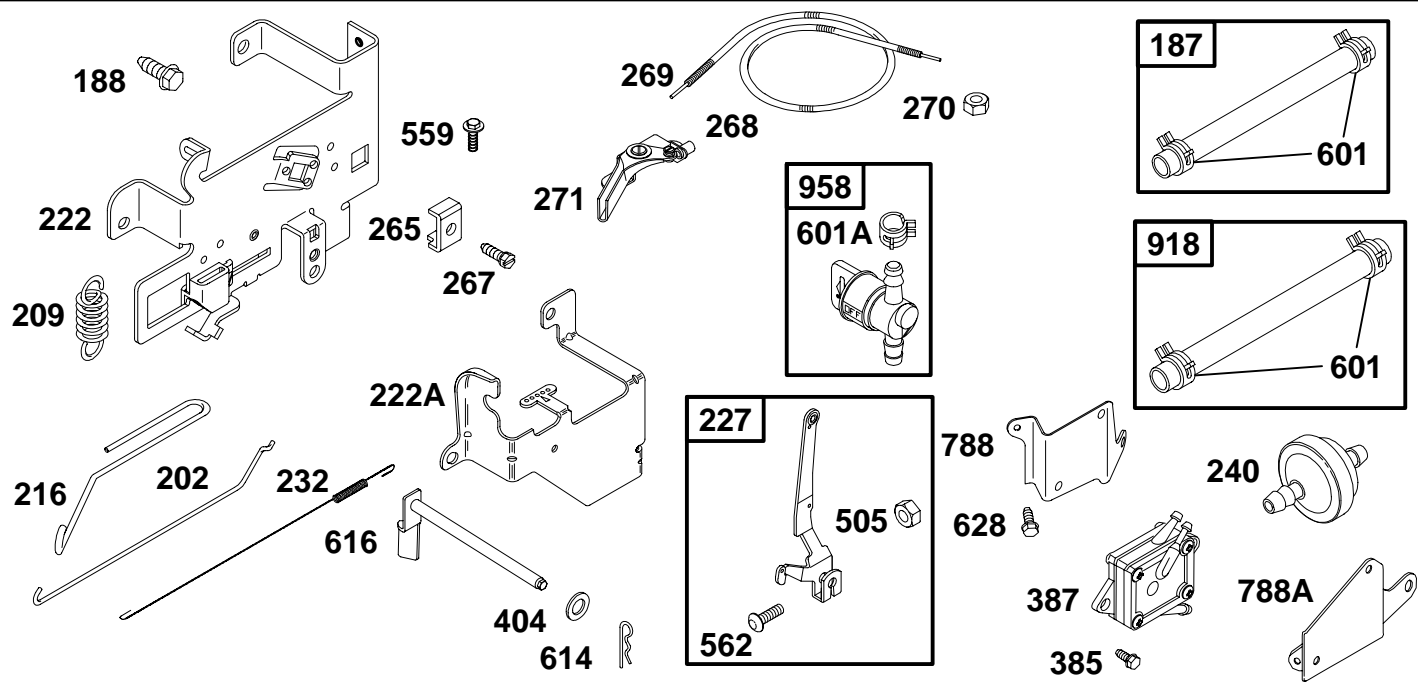


REF. NO.	PART NO.	DESCRIPTION	REF. NO.	PART NO.	DESCRIPTION	REF. NO.	PART NO.	DESCRIPTION
51	■273650	Gasket-Intake	125A		Carburetor (See Previous Page for Service)	276	●●281164	Washer-Sealing
93	690602	Bushing-Throttle Shaft	127	●695005	Plug-Welch	276A	●●695410	Washer-Sealing
94	498030	Kit-Idle Mixture	127A	●690727	Plug-Welch	369	695422	Spring-Float Bowl
94A	695425	Kit-Idle Mixture	130	224539	Valve-Throttle	633	695414	Seal-Choke/Throttle Shaft
95	●94098	Screw (Throttle Valve)	130A	695418	Valve-Throttle	634	●690801	Spring/Seal Assembly (LMT 155, 156 Manual Choke)
95A	●690718	Screw (Throttle Valve)	131	494379	Kit-Throttle Shaft	634A	●690802	Spring/Seal Assembly (LMT 153, 154 Choke A Matic)
98	495800	Kit-Idle Speed	131A	695421	Kit-Throttle Shaft	692	690572	Spring-Detent
98A	695408	Kit-Idle Speed	133	494381	Float-Carburetor	729	691335	Clip-Wire (Wire Saddle)
104	●690525	Pin-Float Hinge	133A	694914	Float-Carburetor	789	497708	Harness-Wiring
104A	●694918	Pin-Float Hinge	137	●●281165	Gasket-Float Bowl	947	692734	Solenoid-Fuel
105	●231855	Valve-Float Needle	137A	●●695426	Gasket-Float Bowl	947A	695423	Solenoid-Fuel
105A	●694922	Valve-Float Needle	141	495097	Kit-Choke Shaft (LMT 155, 156 Manual Choke)	975	495933	Bowl-Float
108	690464	Valve-Choke (LMT 155, 156 Manual Choke)	141A	495931	Kit-Choke Shaft (LMT 153, 154 Choke A Matic)	975A	695417	Bowl-Float
108A	692344	Valve-Choke (LMT 153, 154 Choke A Matic)	141B	695420	Kit-Choke Shaft	987	●691326	Seal-Throttle Shaft
108B	695419	Valve-Choke	186A	493496	Connector-Hose	987A	●281765	Seal-Throttle Shaft
125		Carburetor (See Previous Page for Service)	217	695409	Spring-Choke Return	1091	691333	Cap-Limiter
			231	●94098	Screw (Choke Valve)	1127	695407	Screw (Float Bowl)
			231A	●690718	Screw (Choke Valve)			

★ Included in Engine Gasket Set - Ref. No. 358.
 Δ Included in Valve Gasket Set - Ref. No. 1095.

● Included in Carburetor Overhaul Kit - Ref. No. 121, 121A.
 ◆ Included in Carburetor Gasket Set - Ref. No. 977, 977A.
 ■ Included in All Kits ★Δ◆

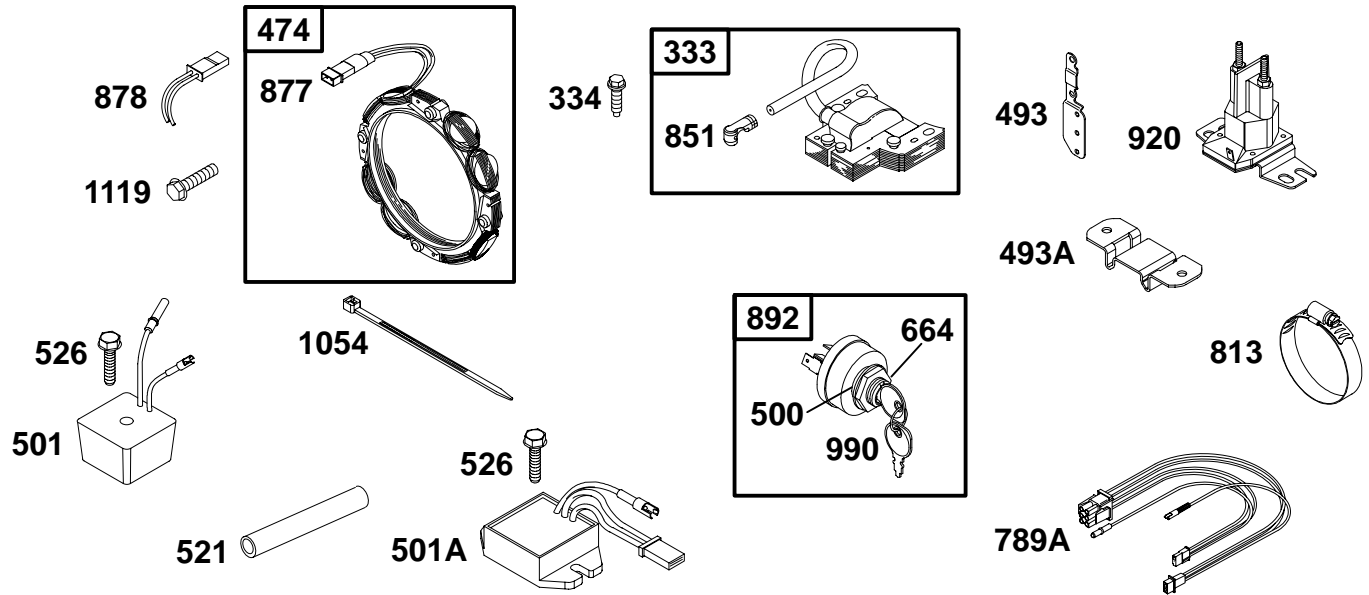
311700 to 311799



REF. NO.	PART NO.	DESCRIPTION	REF. NO.	PART NO.	DESCRIPTION	REF. NO.	PART NO.	DESCRIPTION
187	298049	Line—Fuel (Cut to Required Length)	227	691374	Lever—Governor Control (Standard)	385	690960	Screw (Fuel Pump)
188	94929	Screw (Control Bracket)			Note	387	808656	Pump—Fuel
202	262767	Link—Mechanical Governor			694339 Lever—Governor Control (Gen Set)	404	94927	Washer (Governor Crank)
209	260695	Spring—Governor (Green)			Used on Type No(s). 0141, 0152, 0156.	505	691251	Nut (Governor Control Lever)
		Note	232	262785	Spring—Governor Link	559	693675	Screw (Remote Choke Stop)
		260871 Spring—Governor (Red)	240	298090	Filter—Fuel (150 Micron)	562	691119	Bolt (Governor Control Lever)
		Used on Type No(s). 0139, 0141, 0152, 0156.			Note	601	95162	Clamp—Hose (Spring Wire)
		261126 Spring—Governor (Yellow)			394358 Filter—Fuel (75 Micron)	601A	93807	Clamp—Hose (Spring Steel)
		Used on Type No(s). 0145.			Used on Type No(s). 0026, 0036, 0133, 0134, 0139, 0141, 0143, 0144, 0151, 0152, 0154.	614	93306	Pin—Cotter
216	262766	Link—Choke	265	221535	Clamp—Casing	616	495157	Crank—Governor
222	694042	Bracket—Control (Used After Code Date 99010700).	267	94906	Screw (Casing Clamp)	628	94896	Screw (Fuel Pump Bracket)
		Note	268	65616	Casing—Control Wire (Cut to Required Length)	788	692133	Bracket—Fuel Pump
		495611 Bracket—Control (Used Before Code Date 99010800).	269	26633	Wire—Control (Cut to Required Length)	788A	690458	Bracket—Fuel Pump Used on Type No(s). 0156.
222A	694335	Bracket—Control Used on Type No(s). 0141, 0152, 0156.	270	63426	Nut (Control Wire Casing)	918	393815	Hose—Vacuum Used on Type No(s). 0026, 0036, 0131, 0139.
			271	290568	Lever—Control	958	494768	Valve—Fuel Shut Off

★ Included in Engine Gasket Set – Ref. No. 358.
 Δ Included in Valve Gasket Set – Ref. No. 1095.

● Included in Carburetor Overhaul Kit – Ref. No. 121, 121A.
 ◆ Included in Carburetor Gasket Set – Ref. No. 977, 977A.
 ■ Included in All Kits ★Δ◆

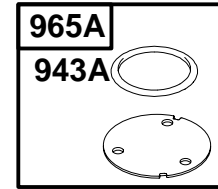
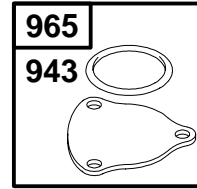
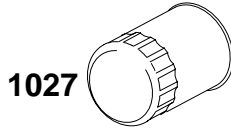
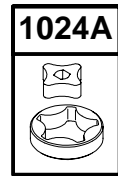
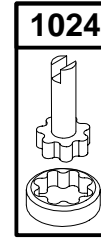
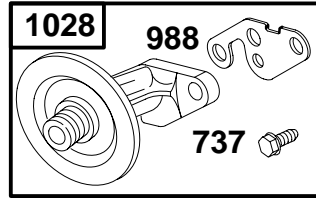
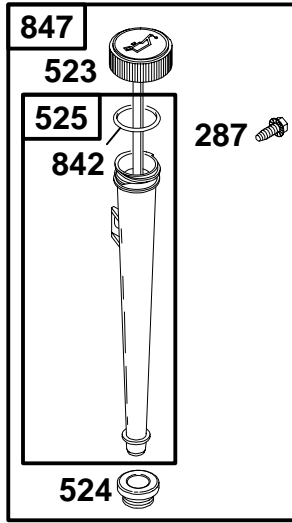


REF. NO.	PART NO.	DESCRIPTION	REF. NO.	PART NO.	DESCRIPTION	REF. NO.	PART NO.	DESCRIPTION
333	495859	Armature-Magneto	500	691086	Washer (Key Switch)	877	393456	Wire/Connector-Alternator (Dual Circuit)
334	94731	Screw (Magneto Armature)	501	491546	Regulator (10 Amp)	————— Note —————		
474	393474	Alternator (Dual Circuit)	501A	394890	Regulator (16 Amp)			393537 Wire/Connector-Alternator (Tri Circuit)
————— Note —————			521	690581	Shield-Cable			Used on Type No(s). 0026, 0028, 0036, 0038, 0070, 0115, 0139, 0140, 0144, 0145, 0151, 0153.
		392595 Alternator (Tri Circuit, 5 and 9 Amp)	526	694476	Screw (Regulator)			Used After Code Date 99070500).
		Used on Type No(s). 0026, 0028, 0036, 0038, 0070, 0115, 0139, 0140, 0144, 0145, 0151, 0153.	————— Note —————					399916 Wire/Connector-Alternator (Regulated)
		393295 Alternator (Regulated)	664	691087	Nut (Key Switch)	878	393362	Harness-Alternator (Dual Circuit)
		Used on Type No(s). 0131, 0148, 0154.	789A	695050	Harness-Wiring (Six Pin)	892	493625	Switch-Key
493	694475	Bracket-Mounting (16 Amp Regulator) (Used After Code Date 99070500).	813	690635	Clamp (Used Before Code Date 99070600).	920	807829	Solenoid-Starter
493A	691177	Bracket-Mounting (10 Amp Regulator) (Used Before Code Date 99070600).	851	692424	Terminal-Sparkplug	990	392832	Key Set
						1054	280275	Tie-Cable
						1119	93621	Screw (Alternator)

★ Included in Engine Gasket Set – Ref. No. 358.
 Δ Included in Valve Gasket Set – Ref. No. 1095.

● Included in Carburetor Overhaul Kit – Ref. No. 121, 121A.
 ◆ Included in Carburetor Gasket Set – Ref. No. 977, 977A.
 ■ Included in All Kits ★Δ◆

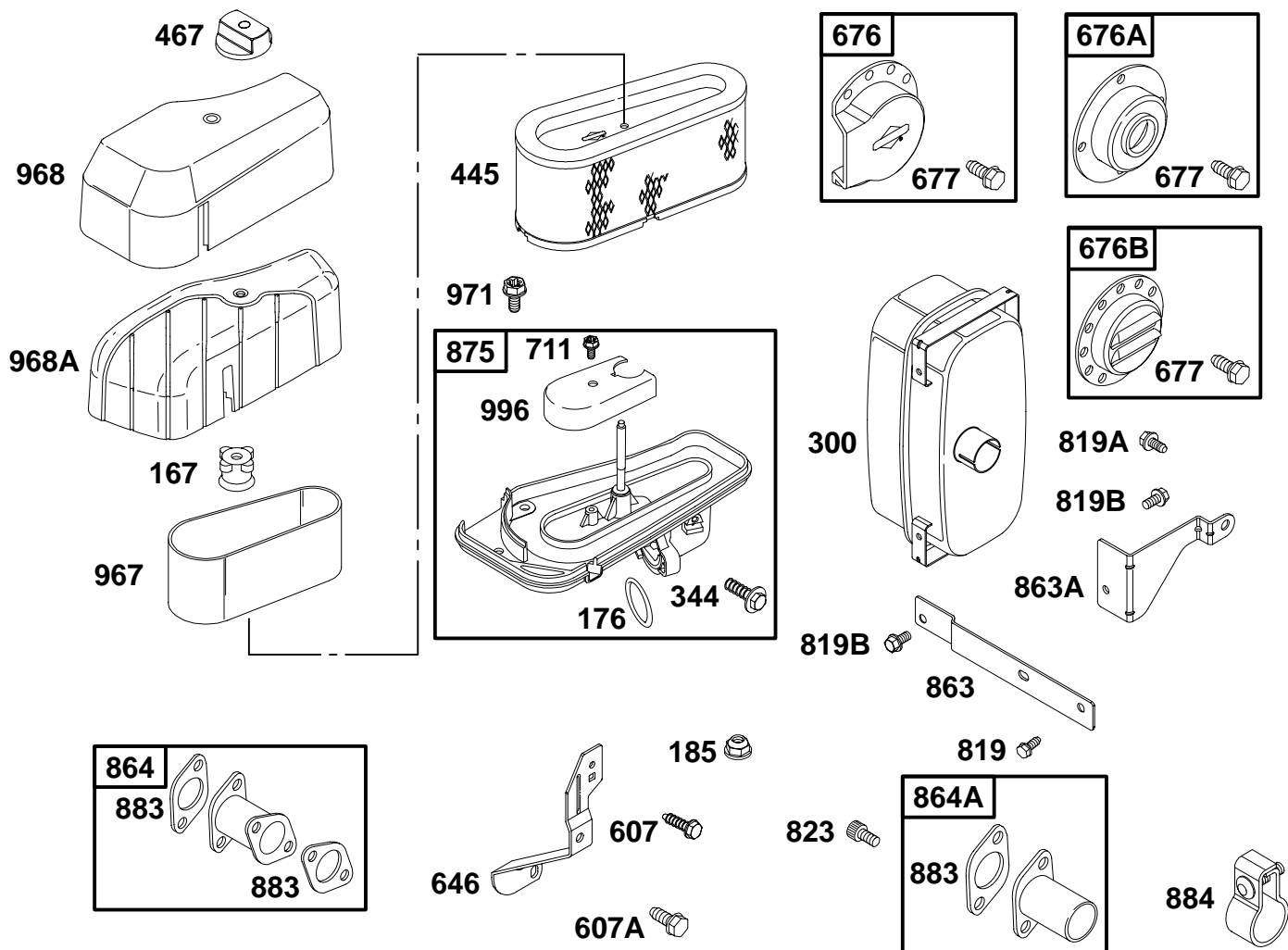
311700 to 311799



REF. NO.	PART NO.	DESCRIPTION	REF. NO.	PART NO.	DESCRIPTION	REF. NO.	PART NO.	DESCRIPTION
287	94903	Screw (Dipstick Tube)	943	★690589	Seal-O Ring (Oil Pump Cover) (Used After Code Date 98063000).	988	★691317	Gasket-Oil Adapter
523	495230	Dipstick				1024	499054	Pump-Oil (Used After Code Date 98063000).
524	★281370	Seal-Dipstick Tube				1024A	493884	Pump-Oil (Used Before Code Date 98070100).
525	691398	Tube-Dipstick	943A	★690604	Seal-O Ring (Oil Pump Cover) (Used Before Code Date 98070100).			
737	691118	Screw (Oil Filter Adapter)				1027	492932	Filter-Oil
750	691033	Screw (Oil Pump Cover 31/64" Long) (Used After Code Date 98063000).	965	499613	Cover-Oil Pump (Used After Code Date 98063000).	1028	496744	Adapter-Oil Filter
750A	690960	Screw (Oil Pump Cover 39/64" Long) (Used Before Code Date 98070100).	965A	496745	Cover-Oil Pump (Used Before Code Date 98070100).			
842	★270920	Seal-O Ring (Dipstick Tube)						
847	496415	Dipstick/Tube Assembly						

★ Included in Engine Gasket Set – Ref. No. 358.
 Δ Included in Valve Gasket Set – Ref. No. 1095.

● Included in Carburetor Overhaul Kit – Ref. No. 121, 121A.
 ◆ Included in Carburetor Gasket Set – Ref. No. 977, 977A.
 ■ Included in All Kits ★Δ◆◆

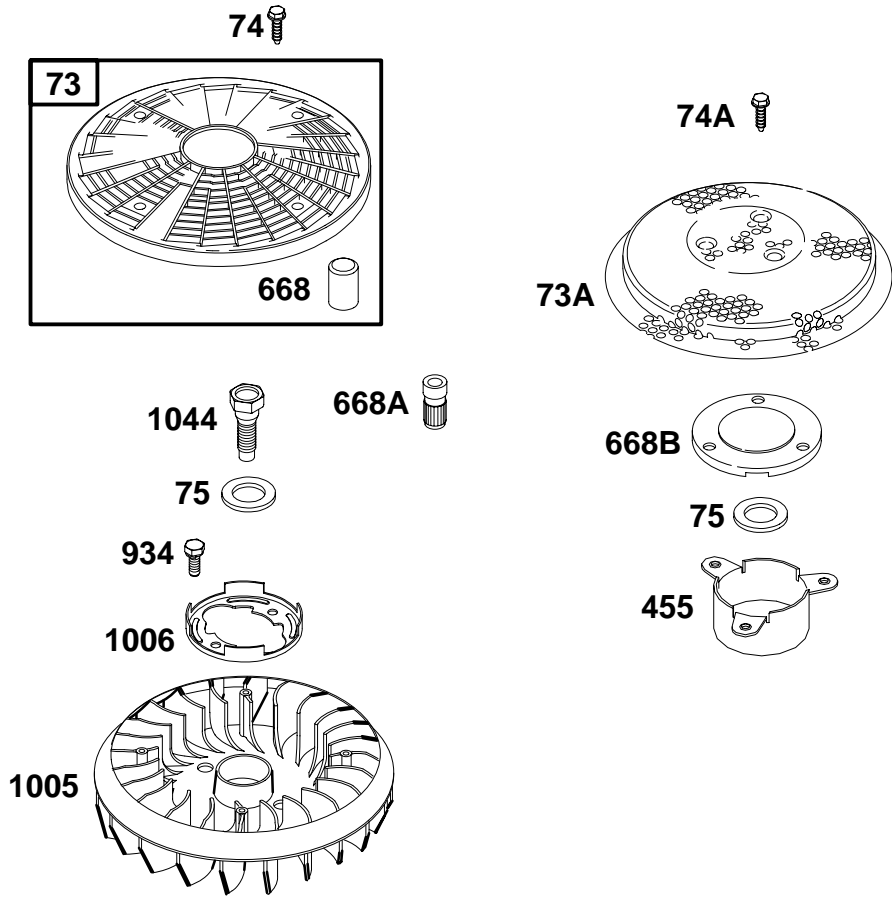


REF. NO.	PART NO.	DESCRIPTION	REF. NO.	PART NO.	DESCRIPTION	REF. NO.	PART NO.	DESCRIPTION
167	281051	Seal-Air Cleaner Nut	676A	396903	Deflector-Muffler (Direct Out)	863A	691205	Bracket-Muffler
176	★281106	Seal-O Ring (Air Cleaner Base)	676B	397630	Deflector-Muffler (Louvered)	864	495864	Adapter-Muffler (With Pipe Flange) Used on Type No(s). 0146.
185	94010	Nut (Air Cleaner Base)	677	94896	Screw (Muffler Deflector)	864A	496750	Adapter-Muffler (Without Pipe Flange)
300	690850	Muffler	711	690703	Screw (Carburetor Shield)	875	693686	Base-Air Cleaner
344	693675	Screw (Cable Clamp)	819	690297	Screw (Muffler Bracket 1/4 X 5/8" Long)	883	★272293	Gasket-Exhaust
445	496894	Filter-Air Cleaner Cartridge	819A	94847	Screw (Muffler Bracket 5/16 X 5/8" Long)	884	690853	Clamp-Muffler
467	493903	Knob-Air Cleaner	819B	94831	Screw (Muffler Bracket 1/4 X 3/8" Long)	967	272403	Filter-Pre Cleaner
607	690703	Screw (Air Cleaner Brace 7/16" Long)	823	690363	Screw (Muffler Adapter)	968	691332	Cover-Air Cleaner (Dual Element)
607A	94929	Screw (Air Cleaner Brace 3/8" Long)	863	691204	Bracket-Muffler (Lower)	968A	692502	Cover-Air Cleaner (Dual Element, Intek)
646	690460	Brace-Air Cleaner				971	692129	Screw (Air Cleaner Base)
676	393761	Deflector-Muffler (Side Out)				996	690678	Shield-Carburetor

★ Included in Engine Gasket Set – Ref. No. 358.
 Δ Included in Valve Gasket Set – Ref. No. 1095.

● Included in Carburetor Overhaul Kit – Ref. No. 121, 121A.
 ◆ Included in Carburetor Gasket Set – Ref. No. 977, 977A.
 ■ Included in All Kits ★Δ◆

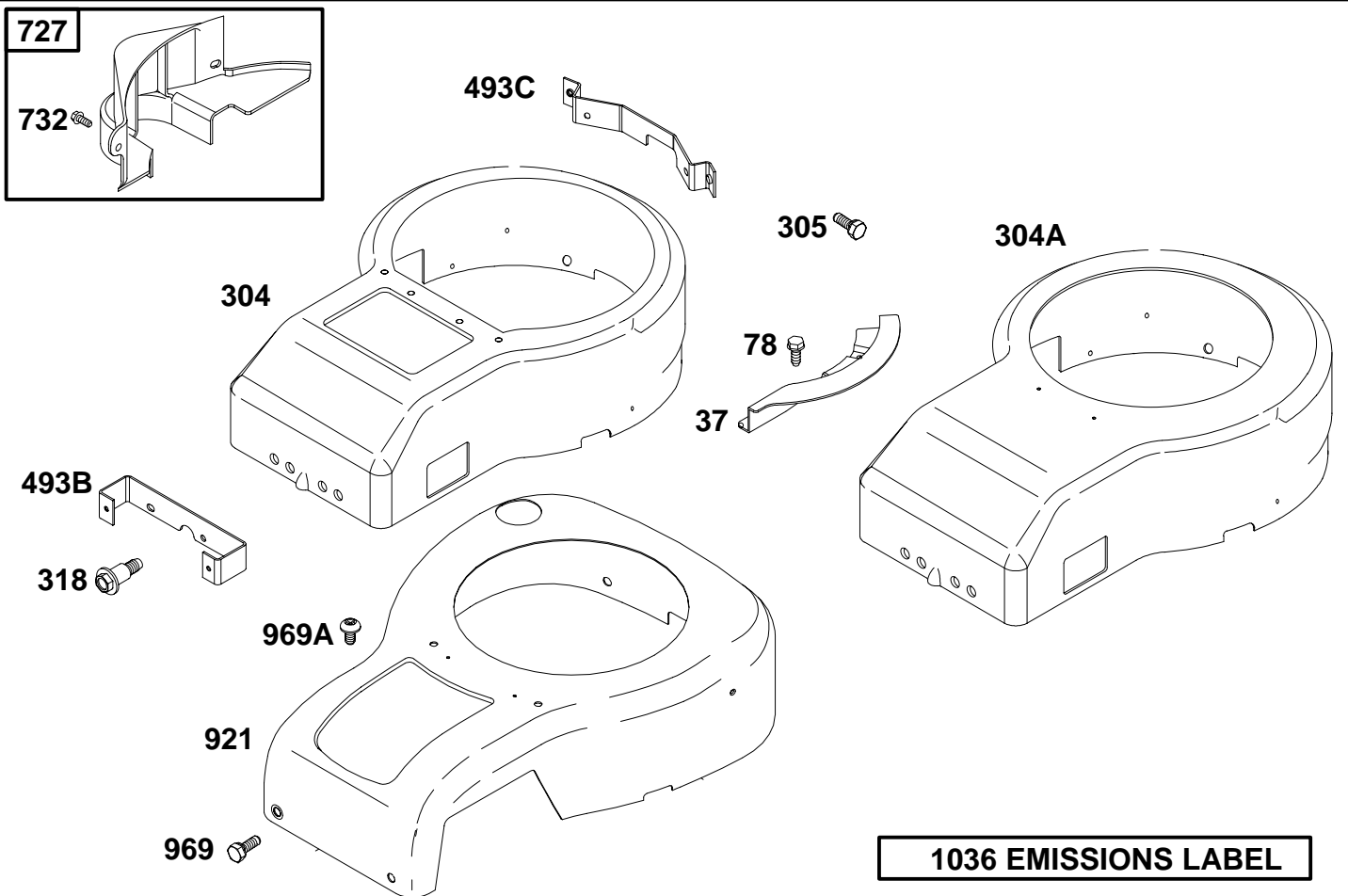
311700 to 311799



REF. NO.	PART NO.	DESCRIPTION	REF. NO.	PART NO.	DESCRIPTION	REF. NO.	PART NO.	DESCRIPTION
73	494439	Screen-Rotating	668	691215	Spacer (Steel Split Side Insert For Plastic Rotating Screen)	1005	695492	Fan-Flywheel (Used After Code Date 00040200).
73A	690492	Screen-Rotating (Metal)	668A	691500	Spacer (Steel Knurled Insert With Collar For Plastic Rotating Screen)	<p align="center">Note</p> 281400 Fan-Flywheel (Used Before Code Date 00040300). 695056 Fan-Flywheel Used on Type No(s). 0156.		
74	94821	Screw (Rotating Screen)	668B	691323	Spacer (Metal Rotating Screen)	1006	690452	Retainer-Fan
74A	94626	Screw (Rotating Screen) (Used Before Code Date 00040300).	934	94627	Screw (Fan Retainer)	1044	94673	Screw (Flywheel)
75	225136	Washer (Flywheel)						
455	691173	Cup-Flywheel						

★ Included in Engine Gasket Set – Ref. No. 358.
 Δ Included in Valve Gasket Set – Ref. No. 1095.

● Included in Carburetor Overhaul Kit – Ref. No. 121, 121A.
 ◆ Included in Carburetor Gasket Set – Ref. No. 977, 977A.
 ■ Included in All Kits ★Δ◆



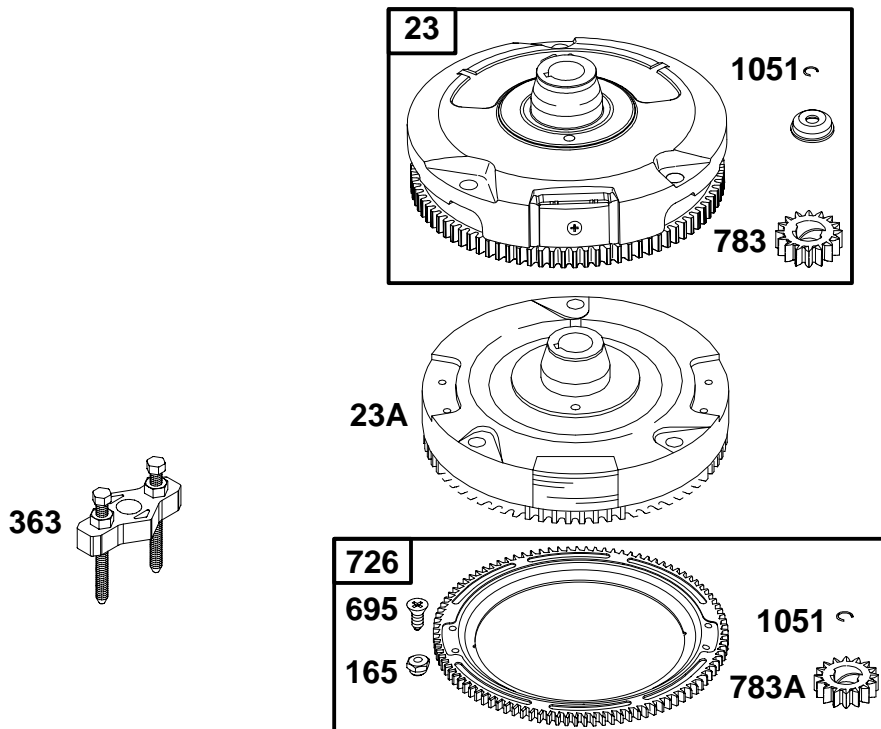
1036 EMISSIONS LABEL

REF. NO.	PART NO.	DESCRIPTION	REF. NO.	PART NO.	DESCRIPTION	REF. NO.	PART NO.	DESCRIPTION
37	690456	Guard-Flywheel	732	94903	Screw (Starter Drive Cover)	1036	695700	Label-Emission (Used After Code Date 00063000).
78	94896	Screw (Flywheel Guard)	921	692493	Cover-Blower Housing (Red)	————— Note —————		694997 Label-Emission (Used After Code Date 99093000 and Before Code Date 00070100).
304	690497	Housing-Blower (Black)	692679 Cover-Blower Housing (Black)		969	690960	Screw (Blower Housing Cover, 5/8" Long)	694332 Label-Emission (Used Before Code Date 99100100 and After Code Date 98123100).
304A	690847	Housing-Blower (Black)	969A	690365	Screw (Blower Housing Cover, 1/2" Long)			692468 Label-Emission (Used Before Code Date 99010100).
305	690960	Screw (Blower Housing)						
318	692127	Screw (Mounting Bracket)						
493B	690493	Bracket-Mounting (Blower Housing Front)						
493C	690494	Bracket-Mounting (Blower Housing Rear)						
727	490324	Cover-Starter Drive						

★ Included in Engine Gasket Set – Ref. No. 358.
 △ Included in Valve Gasket Set – Ref. No. 1095.

● Included in Carburetor Overhaul Kit – Ref. No. 121, 121A.
 ◆ Included in Carburetor Gasket Set – Ref. No. 977, 977A.
 ■ Included in All Kits ★△◆

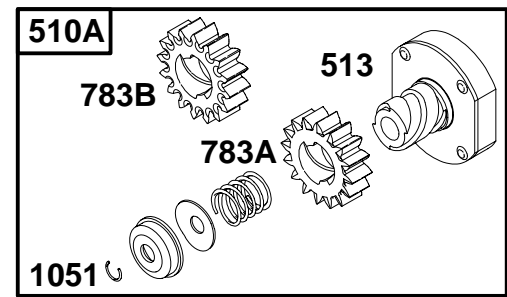
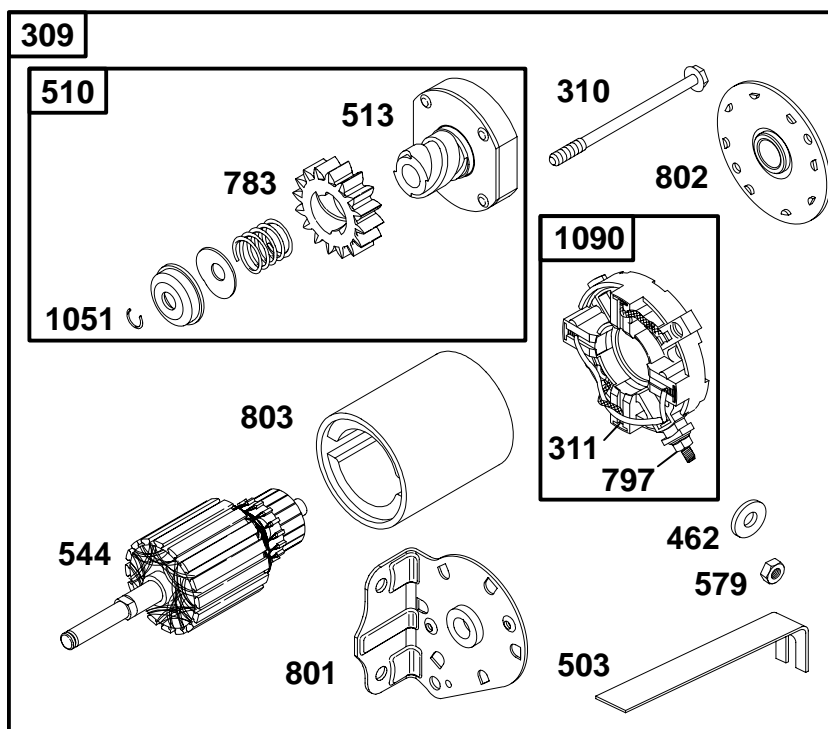
311700 to 311799



REF. NO.	PART NO.	DESCRIPTION	REF. NO.	PART NO.	DESCRIPTION	REF. NO.	PART NO.	DESCRIPTION	
23	693557	Flywheel (Steel Ring Gear) (Used After Code Date 98091300).	23A	492326	Flywheel (Plastic Ring Gear) (Used Before Code Date 98091400).	363	19203	Flywheel Puller	
	693556	Flywheel (Steel Ring Gear) (Used After Code Date 98091300). Used on Type No(s). 0026, 0028, 0036, 0038, 0070, 0115, 0131, 0138, 0139, 0140, 0144, 0145, 0148, 0151, 0153, 0154, 0159.		692682	Flywheel (Plastic Ring Gear) (Used Before Code Date 98091400). Used on Type No(s). 0115, 0131, 0139, 0140, 0144.		695	693109	Screw (Ring Gear)
		Note			Note		726	399676	Gear-Ring (Aluminum)
							783	693713	Gear-Pinion (For Steel Ring Gear Only)
			165	693148	Nut (Ring Gear)		783A	693059	Gear-Pinion (For Aluminum Ring Gear Only)
							1051	263080	Ring-Retaining

★ Included in Engine Gasket Set – Ref. No. 358.
 Δ Included in Valve Gasket Set – Ref. No. 1095.

● Included in Carburetor Overhaul Kit – Ref. No. 121, 121A.
 ◆ Included in Carburetor Gasket Set – Ref. No. 977, 977A.
 ■ Included in All Kits ★Δ◆



REF. NO.	PART NO.	DESCRIPTION	REF. NO.	PART NO.	DESCRIPTION	REF. NO.	PART NO.	DESCRIPTION
309	693551	Motor-Starter (For Steel Ring Gear Only)	510	693699	Drive-Starter (Used With Steel Ring Gear)	783	693713	Gear-Pinion (For Steel Ring Gear Only)
		Note	510A	497606	Drive-Starter (Used With Aluminum & Plastic Ring Gears)	783A	693059	Gear-Pinion (For Aluminum Ring Gear Only)
		497595 Motor-Starter (For Plastic Ring Gear Only)	513	398003	Clutch-Drive	783B	693058	Gear-Pinion (For Plastic Ring Gear Only)
310	690323	Bolt (Starter Motor)	544	497603	Armature-Starter	797	693167	Nut (Brush Retainer)
311	497608	Brush Set (Starter Cable)	579	92278	Nut (Starter Cable)	801	691429	Cap-Drive
462	225137	Washer (Starter Cable)	697	690372	Screw (Drive Cap)	802	497607	Cap-End
503	691532	Strap-Starter (Used Before Code Date 99070600).	729A	691224	Clip-Wire (Used Before Code Date 99070600).	803	693757	Housing-Starter
						1051	263080	Ring-Retaining
						1090	497605	Retainer-Brush

★ Included in Engine Gasket Set – Ref. No. 358.

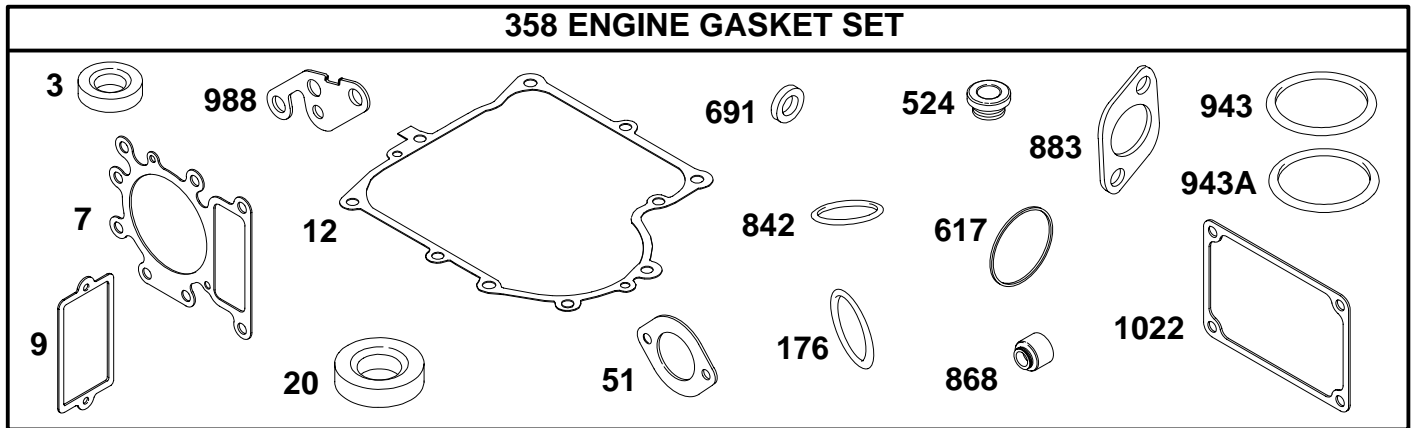
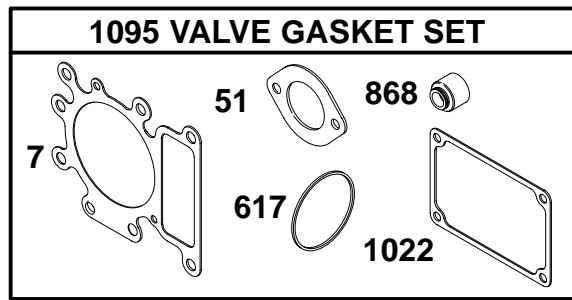
△ Included in Valve Gasket Set – Ref. No. 1095.

● Included in Carburetor Overhaul Kit – Ref. No. 121, 121A.

◆ Included in Carburetor Gasket Set – Ref. No. 977, 977A.

■ Included in All Kits ★△◆

311700 to 311799



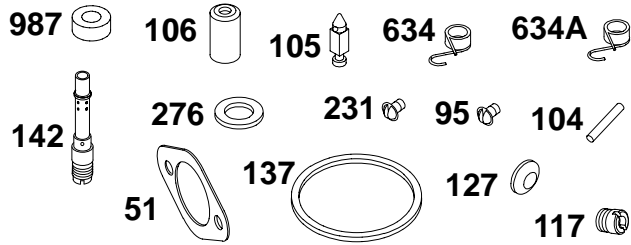
REF. NO.	PART NO.	DESCRIPTION	REF. NO.	PART NO.	DESCRIPTION	REF. NO.	PART NO.	DESCRIPTION
3	★391086	Seal-Oil (Magneto Side)	51	■273650	Gasket-Intake	943	★690589	Seal-O Ring (Oil Pump Cover) (Used After Code Date 98063000).
7	Δ★692410	Gasket-Cylinder Head	176	★281106	Seal-O Ring (Air Cleaner Base)	943A	★690604	Seal-O Ring (Oil Pump Cover) (Used Before Code Date 98070100).
9	★27803	Gasket-Breather	358	690189	Gasket Set-Engine	988	★691317	Gasket-Oil Adapter
12	★271916	Gasket-Crankcase (.015", Standard)	524	★281370	Seal-Dipstick Tube	1022	Δ★272475	Gasket-Rocker Cover
		Note	617	Δ★692138	Seal-O Ring (Intake Manifold)	1095	690190	Gasket Set-Valve
		★271997 Gasket-Crankcase (.005")	691	★491323	Seal-Governor Shaft			
		★271996 Gasket-Crankcase (.009")	842	★270920	Seal-O Ring (Dipstick Tube)			
20	★291675	Seal-Oil (PTO Side)	868	Δ★690968	Seal-Valve			
			883	★272293	Gasket-Exhaust			

★ Included in Engine Gasket Set – Ref. No. 358.
 Δ Included in Valve Gasket Set – Ref. No. 1095.

● Included in Carburetor Overhaul Kit – Ref. No. 121, 121A.
 ◆ Included in Carburetor Gasket Set – Ref. No. 977, 977A.
 ■ Included in All Kits ★Δ◆◆

WALBRO

121 CARBURETOR OVERHAUL KIT

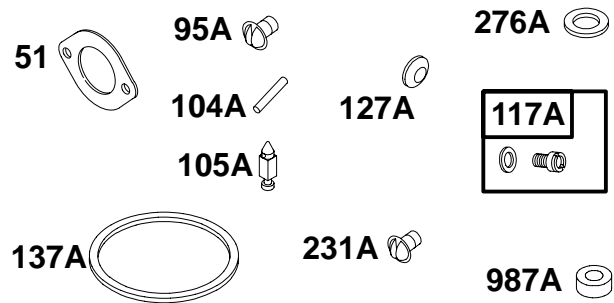


977 CARBURETOR GASKET SET



NIKKI

121A CARBURETOR OVERHAUL KIT



977A CARBURETOR GASKET SET



REF. NO.	PART NO.	DESCRIPTION	REF. NO.	PART NO.	DESCRIPTION	REF. NO.	PART NO.	DESCRIPTION
51	■273650	Gasket-Intake	121	●690191	Kit-Carburetor Overhaul	231A	●690718	Screw (Choke Valve)
95	●94098	Screw (Throttle Valve)	121A	●695427	Kit-Carburetor Overhaul	276	●◆281164	Washer-Sealing
95A	●690718	Screw (Throttle Valve)	127	●695005	Plug-Welch	276A	●◆695410	Washer-Sealing
104	●690525	Pin-Float Hinge	127A	●690727	Plug-Welch	634	●690801	Spring/Seal Assembly (LMT 155, 156 Manual Choke)
104A	●694918	Pin-Float Hinge	137	●◆281165	Gasket-Float Bowl	634A	●690802	Spring/Seal Assembly (LMT 153, 154, Choke A Matic)
105	●231855	Valve-Float Needle	137A	●◆695426	Gasket-Float Bowl	977	●690192	Gasket Set-Carburetor
105A	●694922	Valve-Float Needle	142	●692412	Nozzle-Carburetor	977A	●695428	Gasket Set-Carburetor
106	●231854	Seat-Inlet (Gravity Feed)	231	●94098	Screw (Choke Valve)	987	●691326	Seal-Throttle Shaft
		Note				987A	●281765	Seal-Throttle Shaft
		●231856 Seat-Inlet (Pump Feed)						
117	●692408	Jet-Main						
117A	●695415	Jet-Main						
		Note						
		●695416 Jet-Main (High Altitude)						

★ Included in Engine Gasket Set - Ref. No. 358.
 Δ Included in Valve Gasket Set - Ref. No. 1095.

● Included in Carburetor Overhaul Kit - Ref. No. 121, 121A.
 ◆ Included in Carburetor Gasket Set - Ref. No. 977, 977A.
 ■ Included in All Kits ★Δ◆