

Illustrated Parts List

Model Series

304400 to 304499

TYPE NUMBERS
0100.

TO FIND
THE CORRECT NUMBER OF THE PART YOU NEED:
FOLLOW THE INSTRUCTIONS BELOW

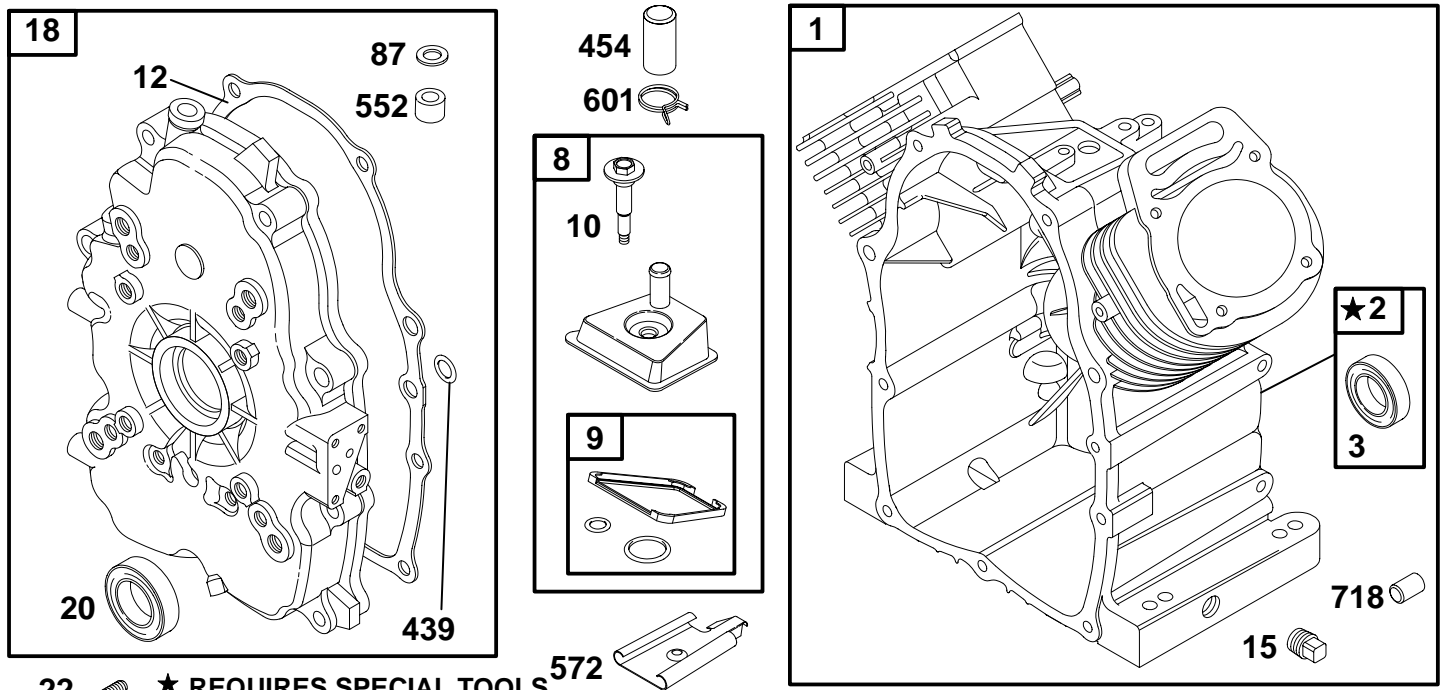
- A. Refer to Engine Model, Type and Code Number that is stamped on the blower housing of engine. Engine type numbers such as 0123 01 are listed only as 0123 in most instances. The two digits (01 or 02, etc.) to the right of the space may be required for more accurate parts identification in some instances. Select the Illustrated Parts List covering the correct Model Series and Type Number.
- B. Refer to the Illustrations and compare the original part with Illustration. The number next to the illustration is the Reference Number. Assemblies include all parts shown in frames. All parts shown in assembly frames having individual reference numbers can be purchased separately.
- C. After the Reference Number has been identified, refer to the Numerical text, where Reference and Primary Part Number are listed. **THE PRIMARY PART IS USED ON ALL TYPE NUMBERS EXCEPT THOSE TYPE NUMBERS UNDER "NOTE."**
- D. If a "Note" appears below the Primary Part Number, it means that this part differs from the Primary Part for certain types. If your Type number is listed under "Note," order the part referred to at the "Note."
- E. If your Engine Type Number does not appear after any part number listed under "Note," use the Primary Part Number.
- F. For Engine Type Numbers not covered by this book, check other Parts Lists having the same engine model or contact your source of supply.

PRINTED IN U.S.A.



COPYRIGHT by BRIGGS & STRATTON CORPORATION
All rights reserved. No part of this material may be reproduced or transmitted, in any form or by any means, electronic or mechanical, including photocopying, recording or by any information storage and retrieval system, without permission in writing from Briggs & Stratton Corporation.

304400 to 304499



22 ★ **REQUIRES SPECIAL TOOLS TO INSTALL. SEE REPAIR INSTRUCTION MANUAL.**

1019 LABEL KIT

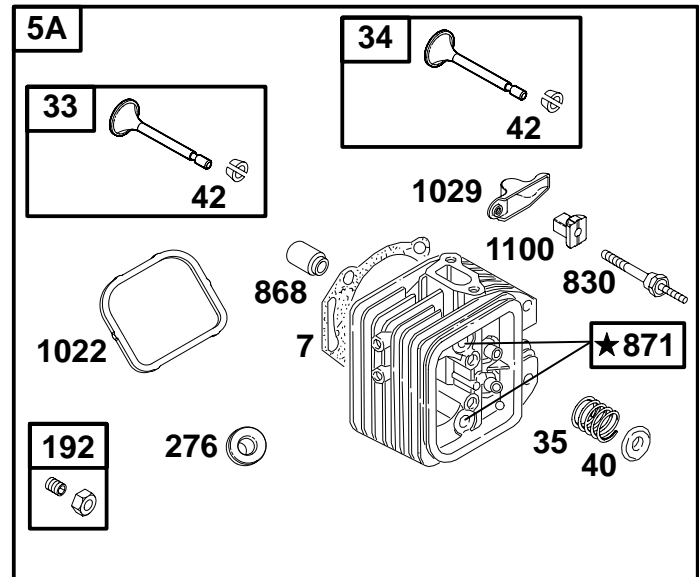
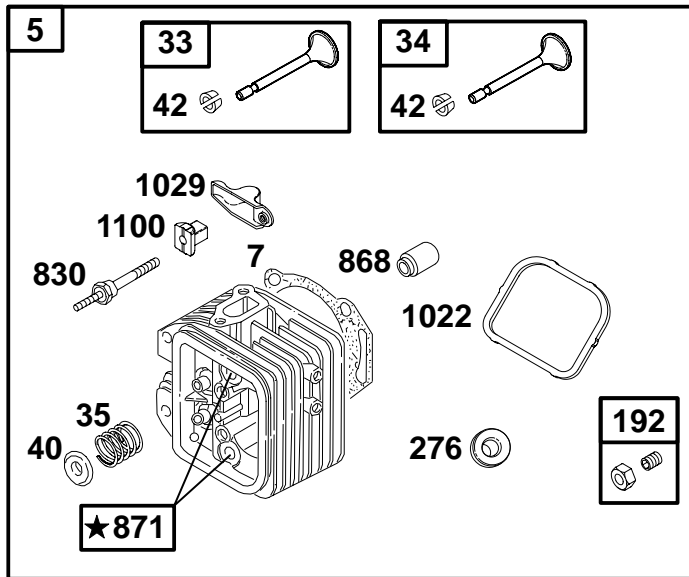
1058 OWNER'S MANUAL

REF. NO.	PART NO.	DESCRIPTION	REF. NO.	PART NO.	DESCRIPTION	REF. NO.	PART NO.	DESCRIPTION
1	808690	Cylinder Assembly	15	94239	Plug—Oil Drain	552	805412	Bushing—Governor Crank
2	808534	Bushing	18	808502	Cover—Crankcase	572	805197	Breather Baffle
3	★805101	Seal—Oil	20	★805049	Seal—Oil	601	95115	Clamp—Hose
8	807893	Breather Assembly	22	805696	Screw (Crankcase Cover)	718	805103	Pin—Locating
9	★807688	Gasket—Breather	87	★805054	Seal—Governor Shaft	1019	808158	Label Kit
10	805751	Screw (Breather Assembly)	439	★806191	Seal—O-Ring	1058	273898	Owner's Manual
12	★806190	Gasket—Crankcase	454	693289	Breather Cap			

★ Included in Gasket Set—See Ref. No. 358.

△ Included in Valve Overhaul Kit—See Ref. No. 1033.

304400 to 304499



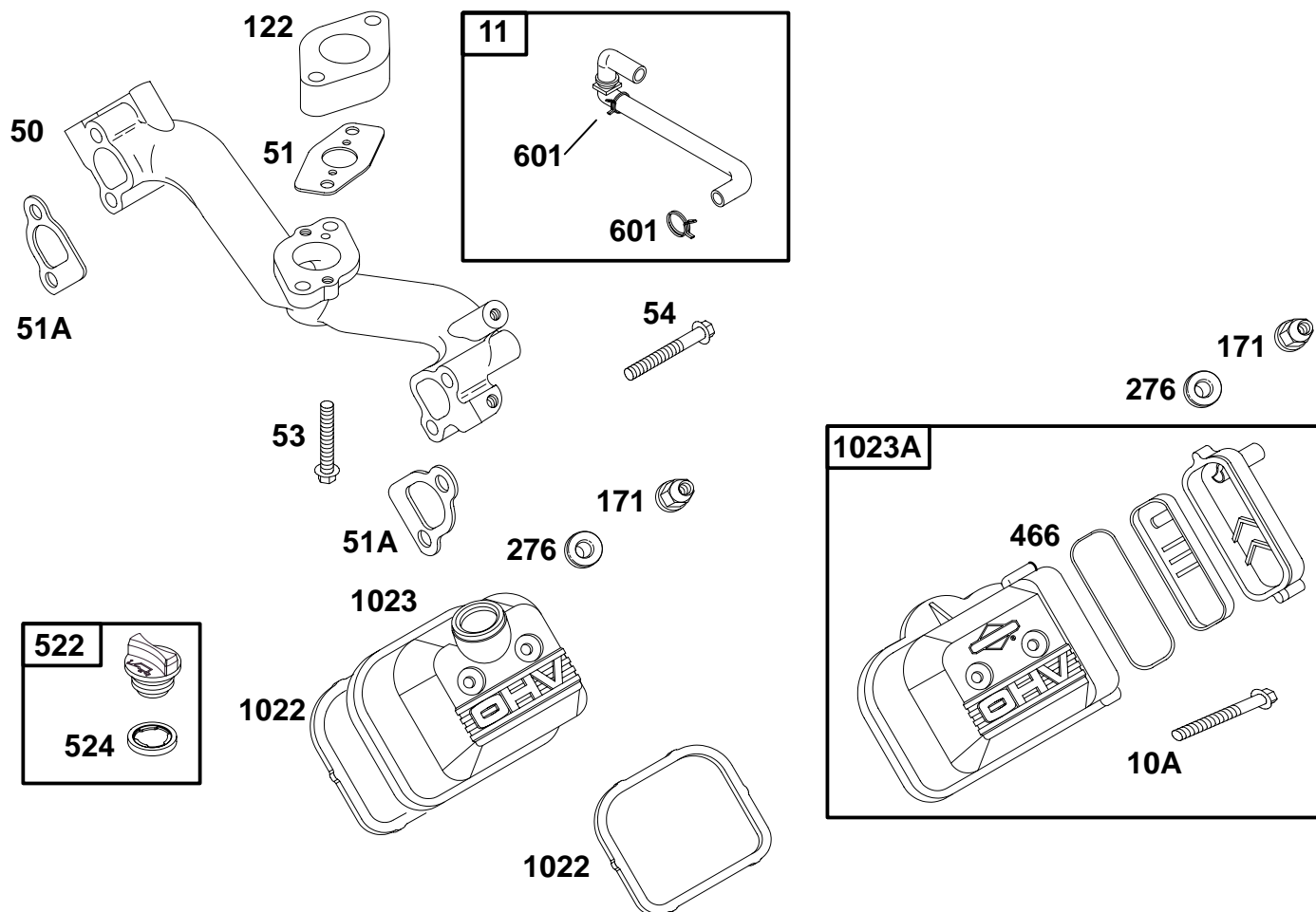
★ REQUIRES SPECIAL TOOLS TO INSTALL. SEE REPAIR INSTRUCTION MANUAL.

REF. NO.	PART NO.	DESCRIPTION	REF. NO.	PART NO.	DESCRIPTION	REF. NO.	PART NO.	DESCRIPTION
5	808688	Head-Cylinder #1	192	807623	Adjuster-Rocker Arm	1022	★Δ806039	Gasket-Rocker Cover
5A	808689	Head-Cylinder #2	276	★●805420	Sealing Washer	1026	805352	Rod-Push (Steel)
7	★●806085	Gasket-Cylinder Head	337	491055	Plug-Spark			Note
13	805097	Screw (Cylinder Head)	383	19374	Wrench-Spark Plug			805617 Rod-Push (Aluminum) (Exhaust Side Only)
33	808687	Valve-Exhaust	437	805158	Screw (Exhaust Manifold)	1029	806036	Rocker Arm
34	807680	Valve-Intake	635	805529	Boot-Spark Plug	1100	806038	Rocker Arm Pivot
35	805937	Spring-Valve	830	806037	Stud-Rocker Arm			
40	805092	Retainer-Valve	868	★Δ805094	Seal-Valve			
42	807683	Keeper-Valve	871	805084	Bushing-Guide			
45	262679	Valve Tappet	883	★Δ805024	Gasket-Exhaust			

★ Included in Gasket Set-See Ref. No. 358.

Δ Included in Valve Overhaul Kit-See Ref. No. 1033.

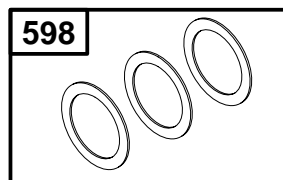
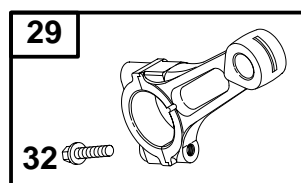
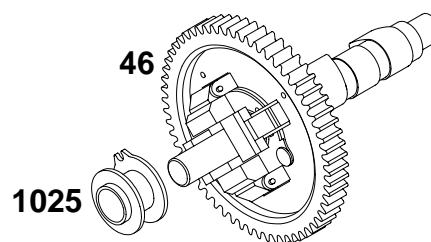
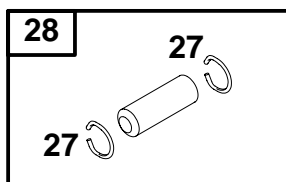
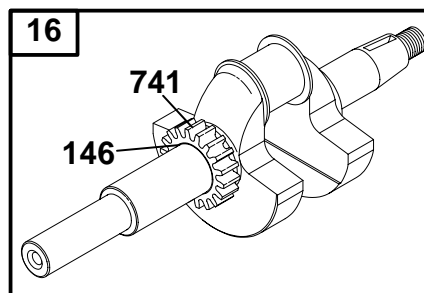
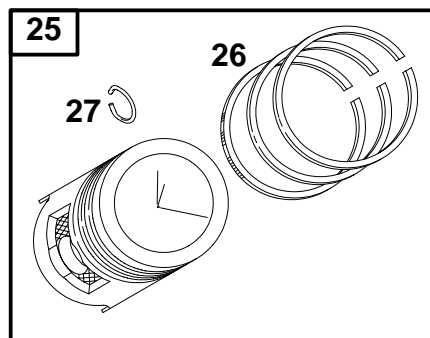
304400 to 304499



REF. NO.	PART NO.	DESCRIPTION	REF. NO.	PART NO.	DESCRIPTION	REF. NO.	PART NO.	DESCRIPTION
10A	806421	Screw (Breather Assembly)	54	805006	Screw (Intake Manifold)	522	491832	Dipstick/Fill Plug
11	808686	Tube-Breather	122	805673	Spacer-Carburetor	524	★△271983	Dipstick Tube Seal
50	805772	Manifold-Intake	171	805019	Nut (Rocker Cover)	601	95115	Clamp-Hose
51	★806457	Gasket-Intake	276	★△805420	Sealing Washer (Breather)	1022	★△806039	Gasket-Rocker Cover
51A	★△805023	Gasket-Intake	466	806466	O-Ring (Breather)	1023	805842	Cover-Rocker
53	805466	Screw (Carb. To Manifold)				1023A	808648	Cover-Rocker (Includes Breather Assembly)

★ Included in Gasket Set-See Ref. No. 358.

△ Included in Valve Overhaul Kit-See Ref. No. 1033.

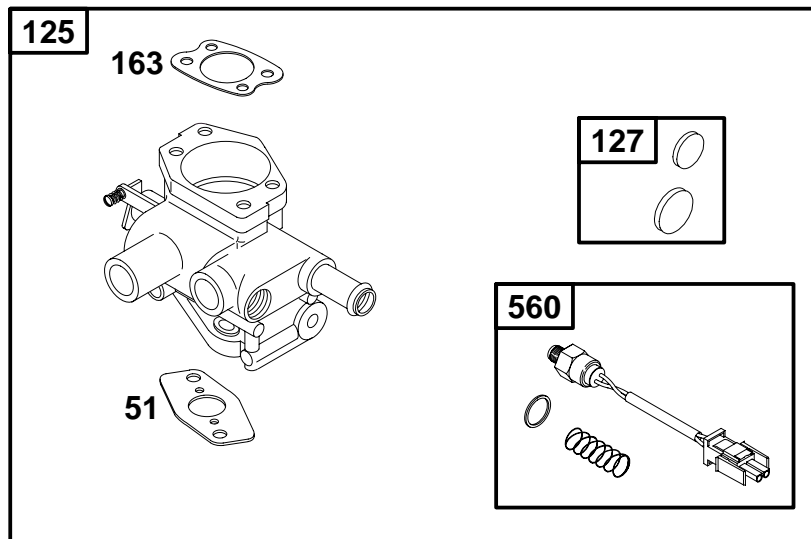
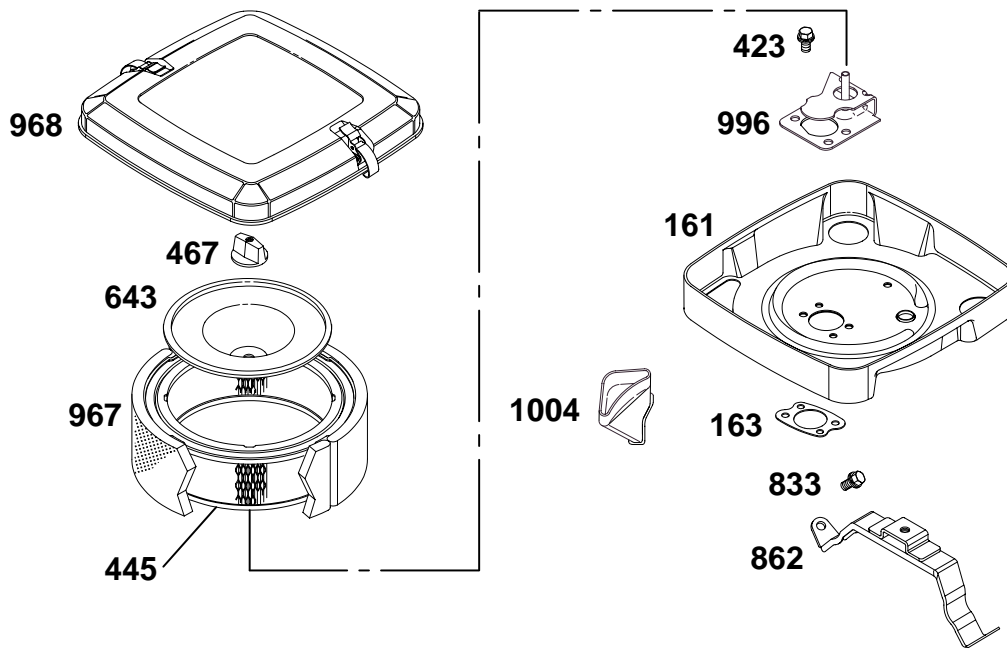


REF. NO.	PART NO.	DESCRIPTION	REF. NO.	PART NO.	DESCRIPTION	REF. NO.	PART NO.	DESCRIPTION
16	808417	Crankshaft	26	807620	Ring Set (Standard)	29	807900	Rod-Connecting (Standard)
17	805754	Bearing-Ball			Note			Note
25	807619	Piston Assembly (Standard)			807808 Ring Set (.010" O.S.)			807803 Rod-Conn. (.020" Undersize)
		Note			807810 Ring Set (.020" O.S.)	32	805395	Screw (Connecting Rod)
		807807 Piston Assy. (.010" O.S.)			807812 Ring Set (.030" O.S.)	46	807542	Camshaft
		807809 Piston Assy. (.020" O.S.)	27	805099	Lock-Piston Pin	146	94196	Key-Timing
		807811 Piston Assy. (.030" O.S.)	28	807621	Pin-Piston	377	808095	Key-Woodruff
						598	807625	Shim-End Play
						741	805984	Gear-Timing
						1025	805313	Spool-Governor

★ Included in Gasket Set-See Ref. No. 358.

△ Included in Valve Overhaul Kit-See Ref. No. 1033.

304400 to 304499

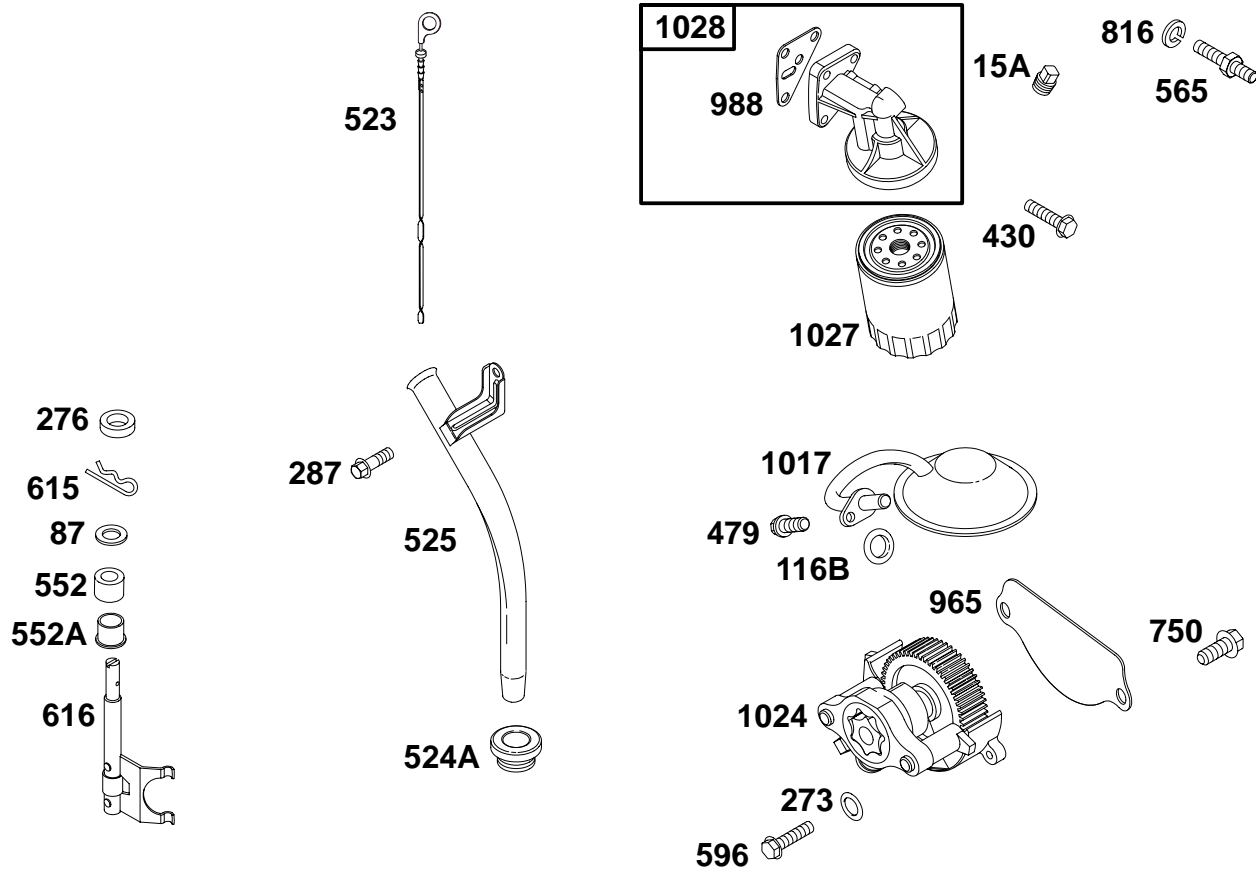


REF. NO.	PART NO.	DESCRIPTION	REF. NO.	PART NO.	DESCRIPTION	REF. NO.	PART NO.	DESCRIPTION
51	★806457	Gasket-Intake	445	394018	Filter-Air Cleaner Cartridge	862	806144	Strap-Cleaner Mounting
125	808692	Carburetor	467	491875	Knob-Air Cleaner	967	272490	Filter-Pre Cleaner
127	806460	Plug-Welch	560	808693	Switch-LP/NG Fuel	968	807862	Cover-Air Cleaner
161	807857	Base-Air Cleaner	643	805631	Retainer-Air Filter	996	808311	Shield-Carburetor
163	★805655	Gasket-Air Cleaner	833	805406	Screw (Cleaner Strap Mtg.)	1004	805632	Duct-Air
243	808739	Fuel Regulator						
423	805317	Screw (Air Cleaner Base)						

★ Included in Gasket Set-See Ref. No. 358.

△ Included in Valve Overhaul Kit-See Ref. No. 1033.

304400 to 304499

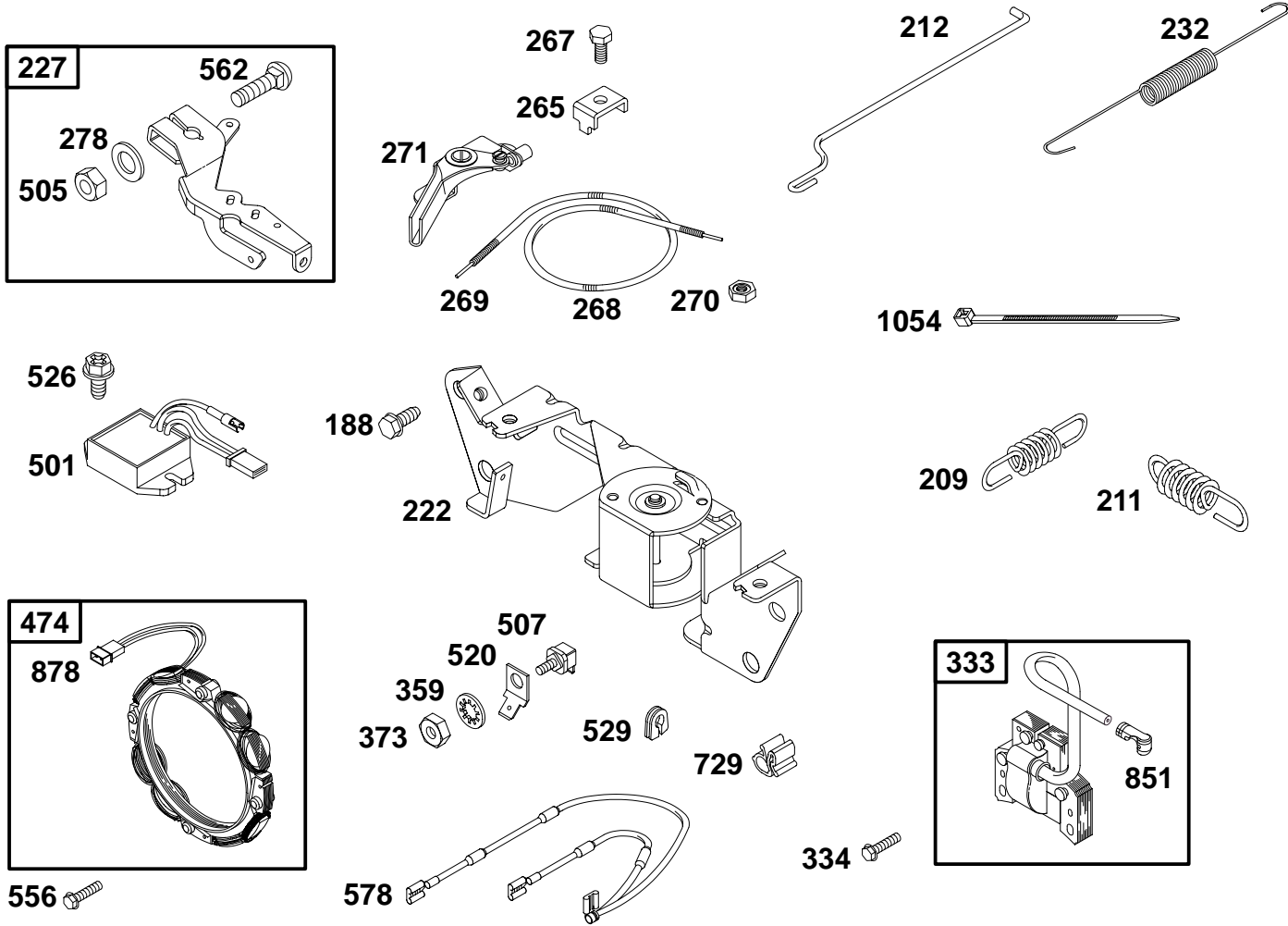


REF. NO.	PART NO.	DESCRIPTION	REF. NO.	PART NO.	DESCRIPTION	REF. NO.	PART NO.	DESCRIPTION
15A	91488	Plug—Oil Drain	524A	★693172	Dipstick Tube Seal	616	807596	Crank—Governor
87	★805054	Seal—Governor Shaft	525	693174	Dipstick Tube	750	805406	Screw (Oil Pump Cover)
116B	★805316	Seal—O-Ring	552	805412	Bushing—Governor Crank	816	805449	Washer (Oil Filter Adapter)
273	★805058	Seal—O-Ring	552A	805413	Bushing—Governor Crank	965	805654	Oil Pump Cover
276	★△805416	Sealing Washer	565	805073	Stud (Oil Filter Adapter)	988	★805250	Gasket—Oil Adapter
287	805247	Screw (Oil Fill Tube)	596	805057	Screw (Oil Pump)	1017	807598	Screen—Oil Pump
430	805030	Screw	615	806096	Retainer—Gov. Shaft	1024	807644	Pump—Oil
479	805317	Screw (Oil Pump Screen)				1027	492932	Filter—Oil
523	693175	Dipstick				1028	808235	Adapter—Oil Filter

★ Included in Gasket Set—See Ref. No. 358.

△ Included in Valve Overhaul Kit—See Ref. No. 1033.

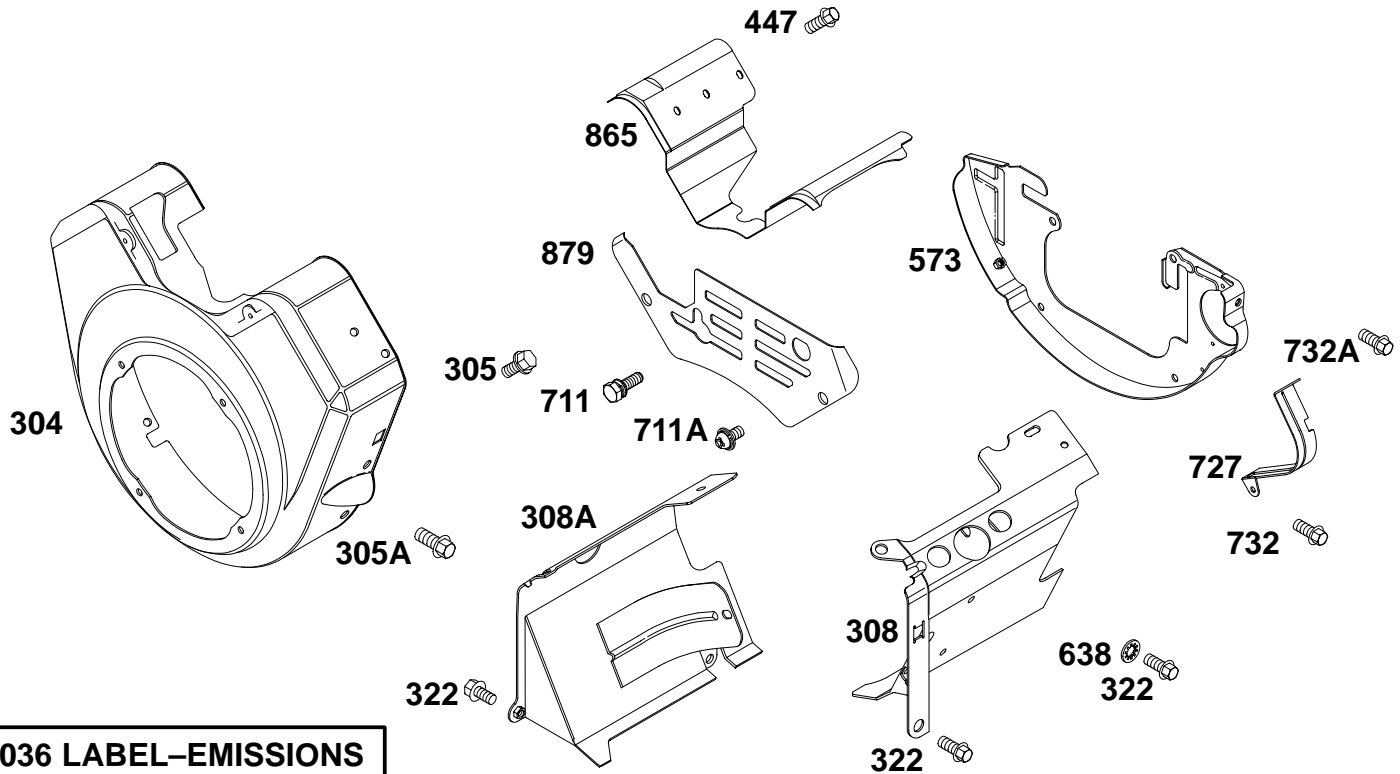
304400 to 304499



REF. NO.	PART NO.	DESCRIPTION	REF. NO.	PART NO.	DESCRIPTION	REF. NO.	PART NO.	DESCRIPTION
188	805025	Screw (Control Bracket)	269	26633	Wire—Control (Cut to Required Length)	505	805383	Nut (Governor Lever)
209	805460	Spring—Governor	270	63426	Locknut—Casing	507	398525	Insulator
211	805453	Spring—Governed Idle	271	290568	Lever—Control	520	93722	Ground Terminal
212	805480	Link—Throttle	278	805018	Washer (Governor Lever)	526	805448	Screw (Regulator)
222	808195	Bracket—Control	333	492341	Armature—Magneto	529	805641	Grommet
227	807528	Lever—Governor	334	805407	Screw (Armature Mounting)	556	806104	Screw (Alternator Mounting)
232	805465	Spring—Link	359	92791	Washer (Ground Terminal)	562	805381	Bolt (Governor Lever)
265	221535	Clamp—Casing	373	90576	Nut (Ground Terminal)	578	493792	Wire Assembly
267	805762	Screw (Casing Clamp)	474	393295	Alternator	729	280470	Clip—Wire
268	65616	Casing—Wire (Cut to Required Length)	501	394890	Regulator	851	493880	Terminal—Cable
						878	399916	Harness—Alternator
						1054	280275	Tie—Cable

★ Included in Gasket Set—See Ref. No. 358.

△ Included in Valve Overhaul Kit—See Ref. No. 1033.



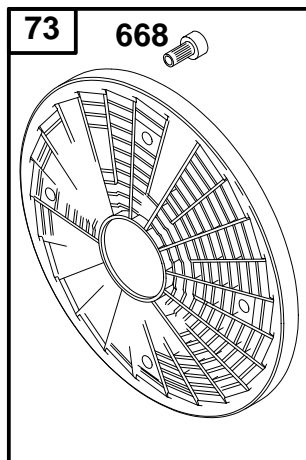
1036 LABEL-EMISSIONS

REF. NO.	PART NO.	DESCRIPTION	REF. NO.	PART NO.	DESCRIPTION	REF. NO.	PART NO.	DESCRIPTION
304	808055	Housing-Blower	711	805902	Screw (Carburetor Cover)	865	805738	Cover-Air Guide (Black)
305	805025	Screw (Blower Housing)	711A	805009	Screw (Carburetor Cover)	Note 807652 Cover-Air Guide (Red)		
305A	805406	Screw (Blower Housing)	727	805505	Cover-Starter Drive (Black)	879	805841	Cover-Carburetor
308	692806	Cover-Cylinder (Cyl. #1)	Note 805503 Cover-Starter Drive (Red)		1036	806458	Label-Emissions	
308A	692805	Cover-Cylinder (Cyl. #2)	732	805260	Screw (Starter Drive Cov.)			
322	805406	Screw (Cylinder Cover)	732A	805406	Screw (Starter Drive Cov.)			
447	805406	Screw (Air Guide Cov.)						
573	807663	Plate-Back (Black)						
		Note 807655 Plate-Back (Red)						
638	806101	Washer (Cylinder Cover)						

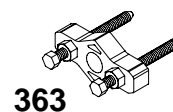
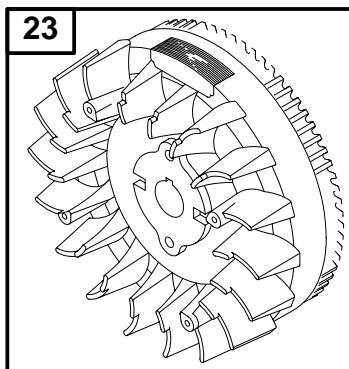
★ Included in Gasket Set-See Ref. No. 358.

△ Included in Valve Overhaul Kit-See Ref. No. 1033.

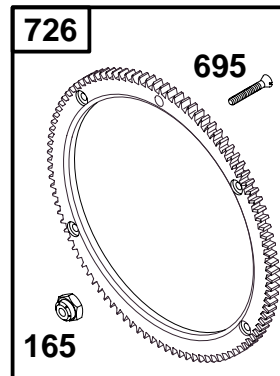
304400 to 304499



332



363

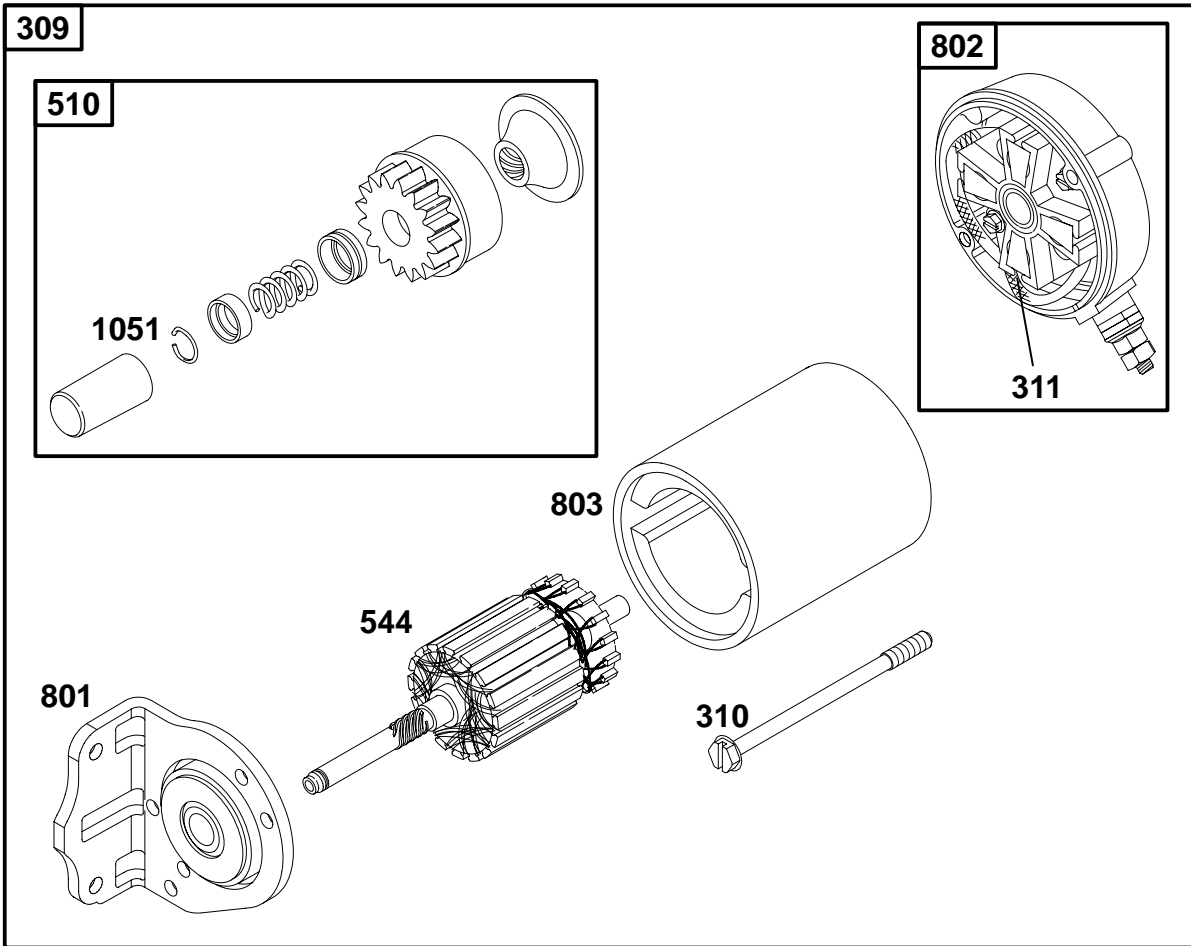


165

REF. NO.	PART NO.	DESCRIPTION	REF. NO.	PART NO.	DESCRIPTION	REF. NO.	PART NO.	DESCRIPTION
23	690919	Flywheel —— Note —— 807531 Flywheel (Used Before Code Date 98071500.)	332	806028	Nut (Flywheel)	726	808162	Gear-Ring (Steel)
73	494439	Screen-Rotating	363	19203	Flywheel Puller			—— Note —— (Aluminum)
74	94417	Screw (Rotating Screen)	668	805402	Spacer			807805 Gear-Ring (Used Before Code Date 98071500.)
165	693148	Nut (Ring Gear)	695	693149	Screw (Ring Gear) —— Note —— 693109 Screw (Used Before Code Date 98071500.)			

★ Included in Gasket Set—See Ref. No. 358.

△ Included in Valve Overhaul Kit—See Ref. No. 1033.

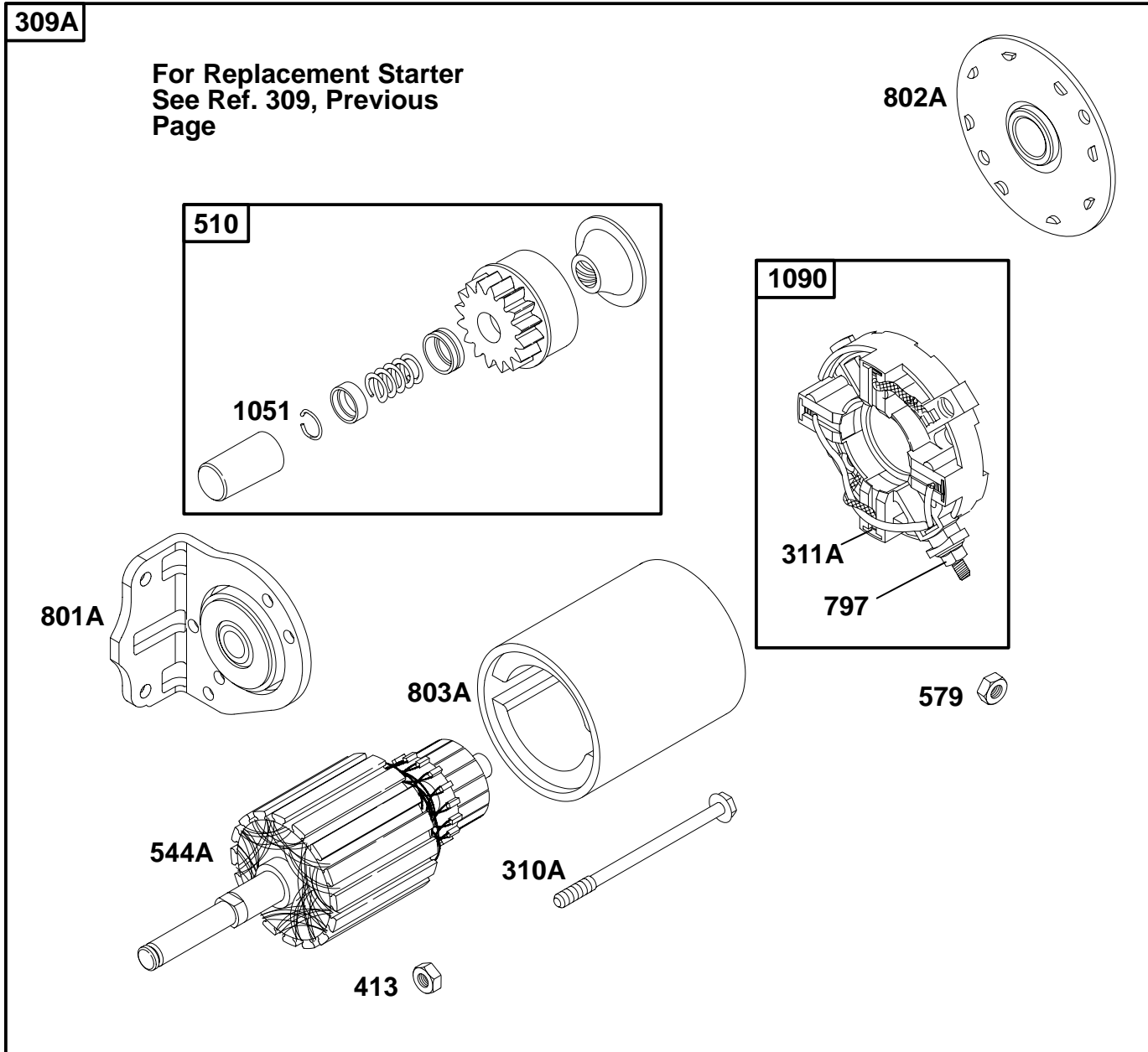


REF. NO.	PART NO.	DESCRIPTION	REF. NO.	PART NO.	DESCRIPTION	REF. NO.	PART NO.	DESCRIPTION
309	808106	Motor-Starter (Steel Pinion)	510	496881	Drive-Starter (Steel Pinion)	801	496814	Cap-Drive
310	496880	Bolt (Starter Motor)	544	496816	Armature-Starter	802	496813	Cap-End
311	496887	Brush Set	697	805247	Screw (Drive Cap)	803	496815	Housing-Starter
						1051	94953	Ring-Retaining

★ Included in Gasket Set—See Ref. No. 358.

△ Included in Valve Overhaul Kit—See Ref. No. 1033.

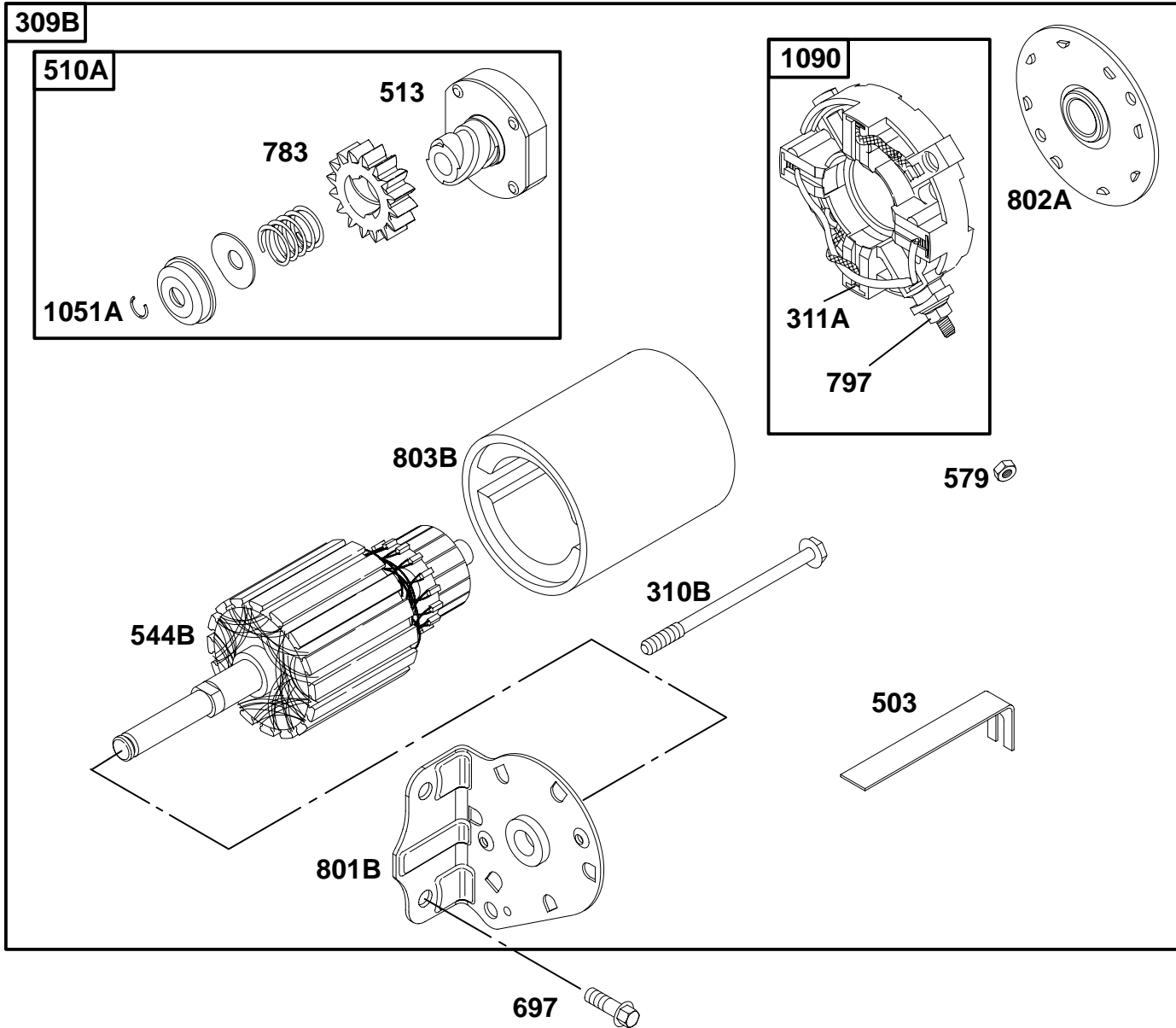
304400 to 304499



REF. NO.	PART NO.	DESCRIPTION	REF. NO.	PART NO.	DESCRIPTION	REF. NO.	PART NO.	DESCRIPTION
309A		Motor-Starter (Used After Code Date 98071400.) (For Replacement Starter Motor, See Ref 309, Previous Page)	413	693587	Nut	797	693167	Nut (Brush Retainer)
			510	496881	Drive-Starter (Steel Pinion)	801A	693549	Cap-Drive
			544A	693548	Armature-Starter	802A	497607	Cap-End
310A	94003	Bolt (Starter Motor)	579	92278	Nut (Starter Cable)	803A	693547	Housing-Starter
311A	497608	Brush Set	697	805247	Screw (Drive Cap)	1051	94953	Retaining Ring
						1090	497605	Retainer-Brush

★ Included in Gasket Set—See Ref. No. 358.

△ Included in Valve Overhaul Kit—See Ref. No. 1033.

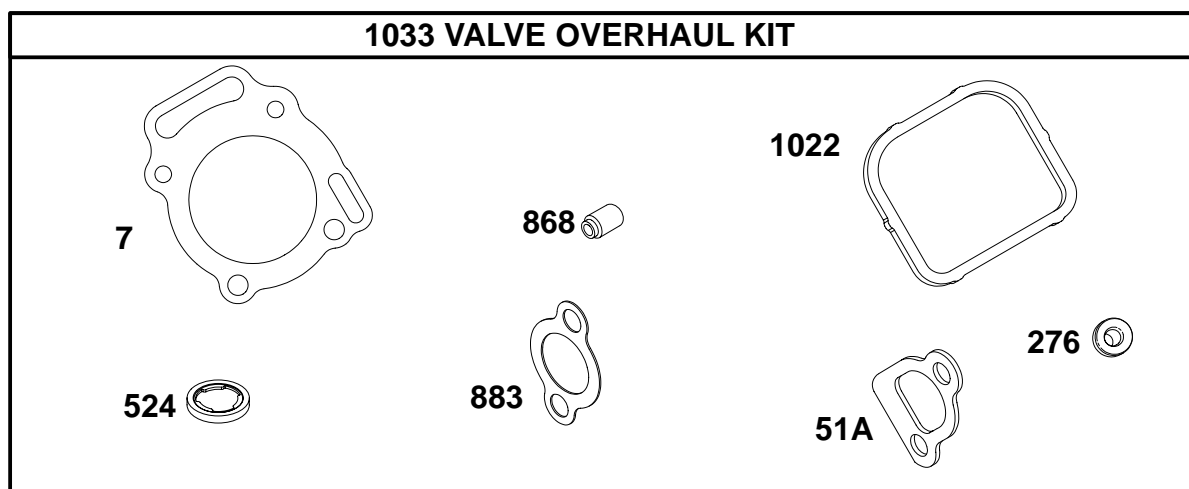
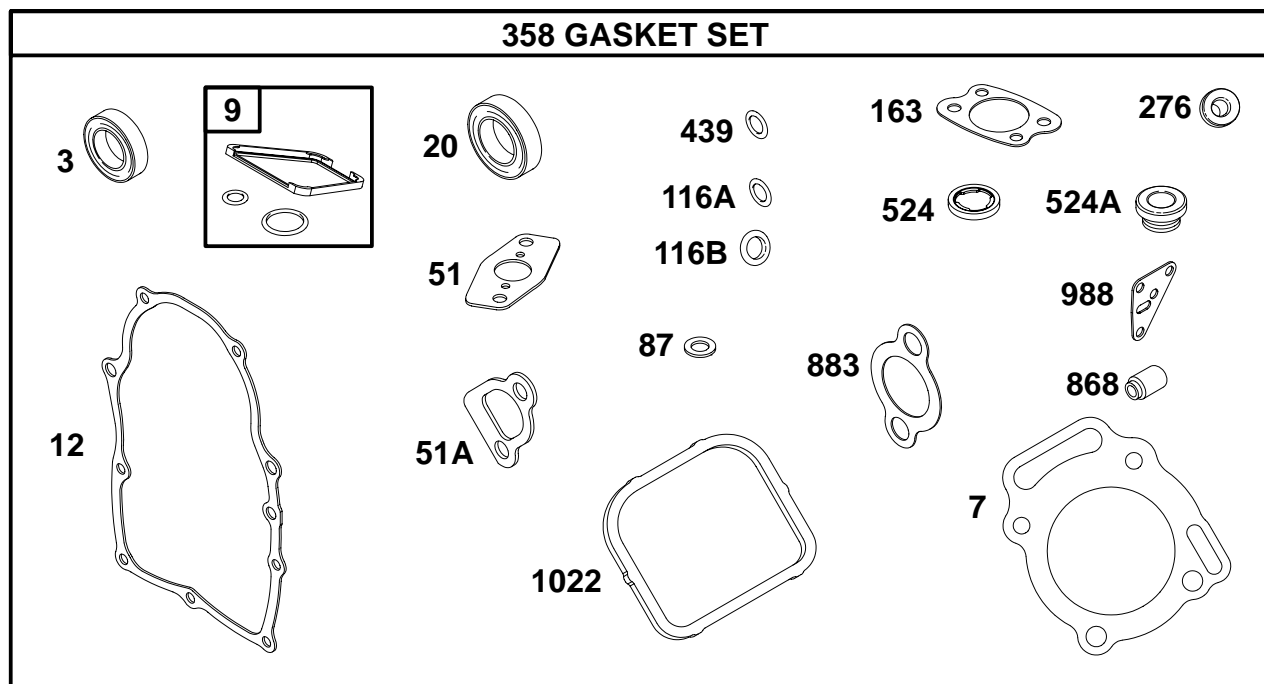


REF. NO.	PART NO.	DESCRIPTION	REF. NO.	PART NO.	DESCRIPTION	REF. NO.	PART NO.	DESCRIPTION
309B	499521	Motor-Starter (Used Before Code Date 98071500.) (Plastic Pinion)	544B		Armature-Starter (Served By 499521 Starter Motor Only)	797	693167	Nut (Brush Retainer)
310B	95035	Bolt (Starter Motor)	579	92278	Nut (Starter Cable)	801B	497626	Cap-Drive
311A	497608	Brush Set	697	805247	Screw (Drive Cap)	802A	497607	Cap-End
503	806000	Strap-Starter	783	693059	Gear-Pinion (Plastic)	803B		Housing-Starter (Served By 499521 Starter Motor Only)
510A	497606	Drive-Starter				1051A	263080	Ring-Retaining
513	398003	Clutch-Drive				1090	497605	Retainer-Brush

★ Included in Gasket Set—See Ref. No. 358.

△ Included in Valve Overhaul Kit—See Ref. No. 1033.

304400 to 304499



REF. NO.	PART NO.	DESCRIPTION	REF. NO.	PART NO.	DESCRIPTION	REF. NO.	PART NO.	DESCRIPTION
3	★805101	Seal-Oil	87	★805054	Seal-Governor Shaft	524	★△271983	Dipstick Tube Seal
7	★△806085	Gasket-Cylinder Head	116A	★805058	Seal-O-Ring	524A	★693172	Dipstick Tube Seal
9	★807688	Gasket-Breather	116B	★805316	Seal-O-Ring	868	★△805094	Seal-Valve
12	★806190	Gasket-Crankcase	163	★805655	Gasket-Air Cleaner	883	★△805024	Gasket-Exhaust
20	★805049	Seal-Oil	276	★△805420	Sealing Washer	988	★805250	Gasket-Oil Adapter
51	★806457	Gasket-Intake	358	808704	Gasket Set	1022	★△806039	Gasket-Rocker Cover
51A	★△805023	Gasket-Intake	439	★806191	Seal-O-Ring	1033	808392	Kit-Valve Overhaul

★ Included in Gasket Set-See Ref. No. 358.

△ Included in Valve Overhaul Kit-See Ref. No. 1033.