

**303700 to 303799**

# Illustrated Parts List

## Model Series

### 303700 to 303799

## TYPE NUMBERS

0007, 0015, 0016,  
0017, 0020, 0021,  
0032, 0033,  
0100 through 0105,  
0119 through 0124,  
0126 through 0135,  
0137 through 0142,  
0316, 0320, 0321,  
0330 through 0346,  
0355,

## TYPE NUMBERS

0400 through 0426,  
0428 through 0440,  
1020, 1032, 1033,  
1035 through 1055,  
1100 through 1113,  
1116 through 1140,  
1142 through 1161,  
1188 through 1196.

**TO FIND****THE CORRECT NUMBER OF THE PART YOU NEED:****FOLLOW THE INSTRUCTIONS BELOW**

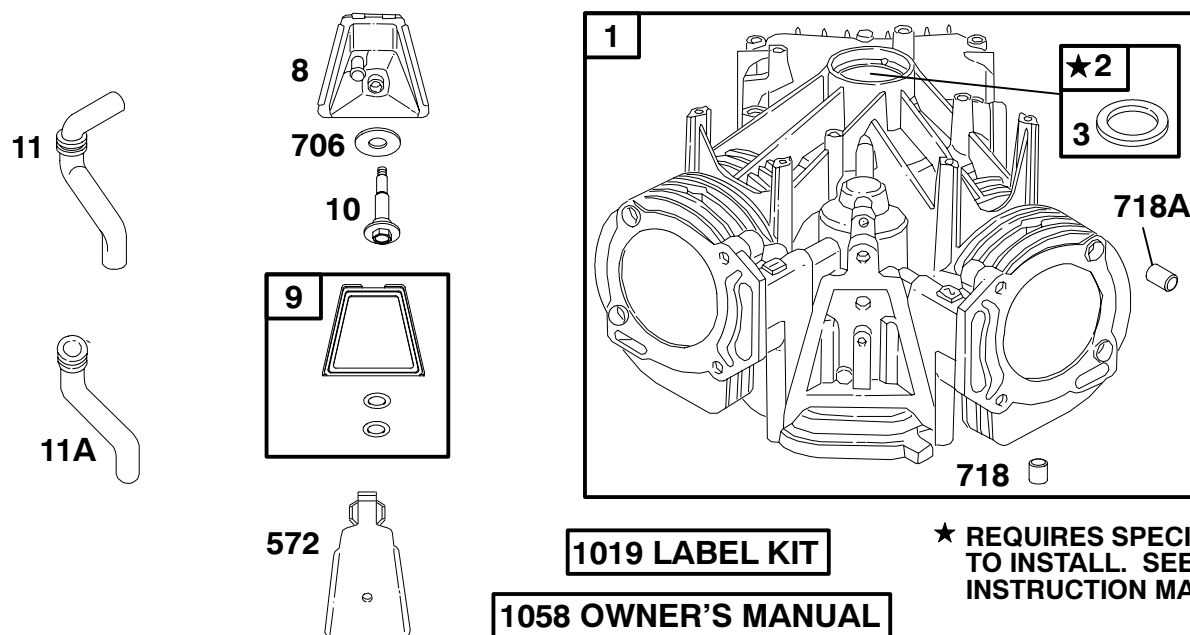
- A. Refer to Engine Model, Type and Code Number that is stamped on the blower housing of engine. Engine type numbers such as 0123 01 are listed only as 0123 in most instances. The two digits (01 or 02, etc.) to the right of the space may be required for more accurate parts identification in some instances. Select the Illustrated Parts List covering the correct Model Series and Type Number.
- B. Refer to the Illustrations and compare the original part with Illustration. The number next to the illustration is the Reference Number. Assemblies include all parts shown in frames. All parts shown in assembly frames having individual reference numbers can be purchased separately.
- C. After the Reference Number has been identified, refer to the Numerical text, where Reference and Primary Part Number are listed. **THE PRIMARY PART IS USED ON ALL TYPE NUMBERS EXCEPT THOSE TYPE NUMBERS UNDER "NOTE."**
- D. If a "Note" appears below the Primary Part Number, it means that this part differs from the Primary Part for certain types. If your Type number is listed under "Note," order the part referred to at the "Note."
- E. If your Engine Type Number does not appear after any part number listed under "Note," use the Primary Part Number.
- F. For Engine Type Numbers not covered by this book, check other Parts Lists having the same engine model or contact your source of supply.

PRINTED IN U.S.A.



COPYRIGHT by BRIGGS & STRATTON CORPORATION  
All rights reserved. No part of this material may be reproduced or transmitted, in any form or by any means, electronic or mechanical, including photocopying, recording or by any information storage and retrieval system, without permission in writing from Briggs & Stratton Corporation.

# 303700 to 303799



**1019 LABEL KIT**

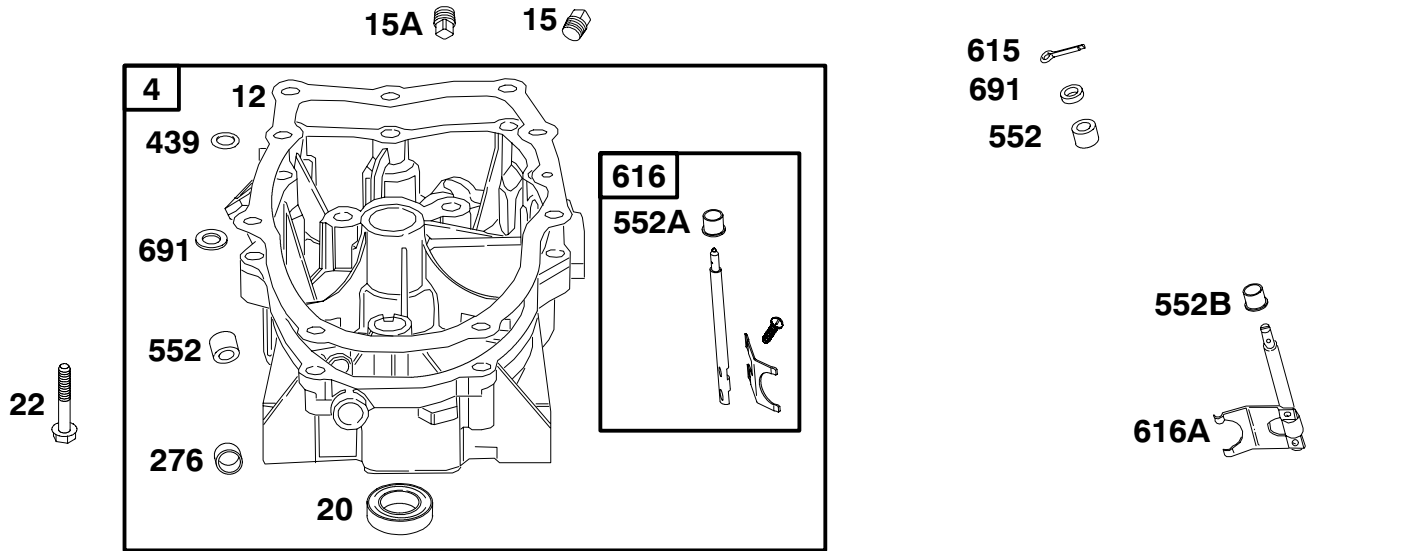
**1058 OWNER'S MANUAL**

★ **REQUIRES SPECIAL TOOLS TO INSTALL. SEE REPAIR INSTRUCTION MANUAL.**

REF. NO.	PART NO.	DESCRIPTION	REF. NO.	PART NO.	DESCRIPTION	REF. NO.	PART NO.	DESCRIPTION
1	692543	Cylinder Assembly (Used After Code Date 97043000). ----- <b>Note</b> ----- 807511 Cylinder Assembly (Used Before Code Date 97050100).	8	807795	Breather Assembly (Used After Code Date 90111400). ----- <b>Note</b> ----- 807893 Breather Assembly (Used Before Code Date 90111500).	11A	805362	Breather Tube (Used Before Code Date 97050100).
2	808534	Bushing/Seal Kit (Magneto Side) (Used After Code Date 97043000). ----- <b>Note</b> ----- 807687 Bushing/Seal Kit (Magneto Side) (Used Before Code Date 97050100).	9	★807688	Breather Gasket	572	690686	Breather Baffle
3	★805101	Oil Seal (Magneto Side)	10	690751	Screw (Breather Assembly) (Used After Code Date 90111400). ----- <b>Note</b> ----- 805194 Screw (Breather Assembly) (Used Before Code Date 90111500).	706	805484	Washer (Breather Assembly) (Used Before Code Date 90111500).
			11	806083	Breather Tube (Used After Code Date 97043000).	718	690684	Locating Pin
						718A	805102	Locating Pin (Used Before Code Date 90091100).
						1019	808036	Label Kit
						1058	274273	Owner's Manual (Emission Engines) ----- <b>Note</b> ----- 272104 Owner's Manual (Non Emission Engines)

★ Included in Engine Gasket Set-See Ref. No. 358.  
Included in Valve Gasket Set-See Ref. No. 1095.

● Included in Carburetor Overhaul Kit-See Ref. No. 121.  
◆ Included in Carburetor Gasket Set-See Ref. No. 977.



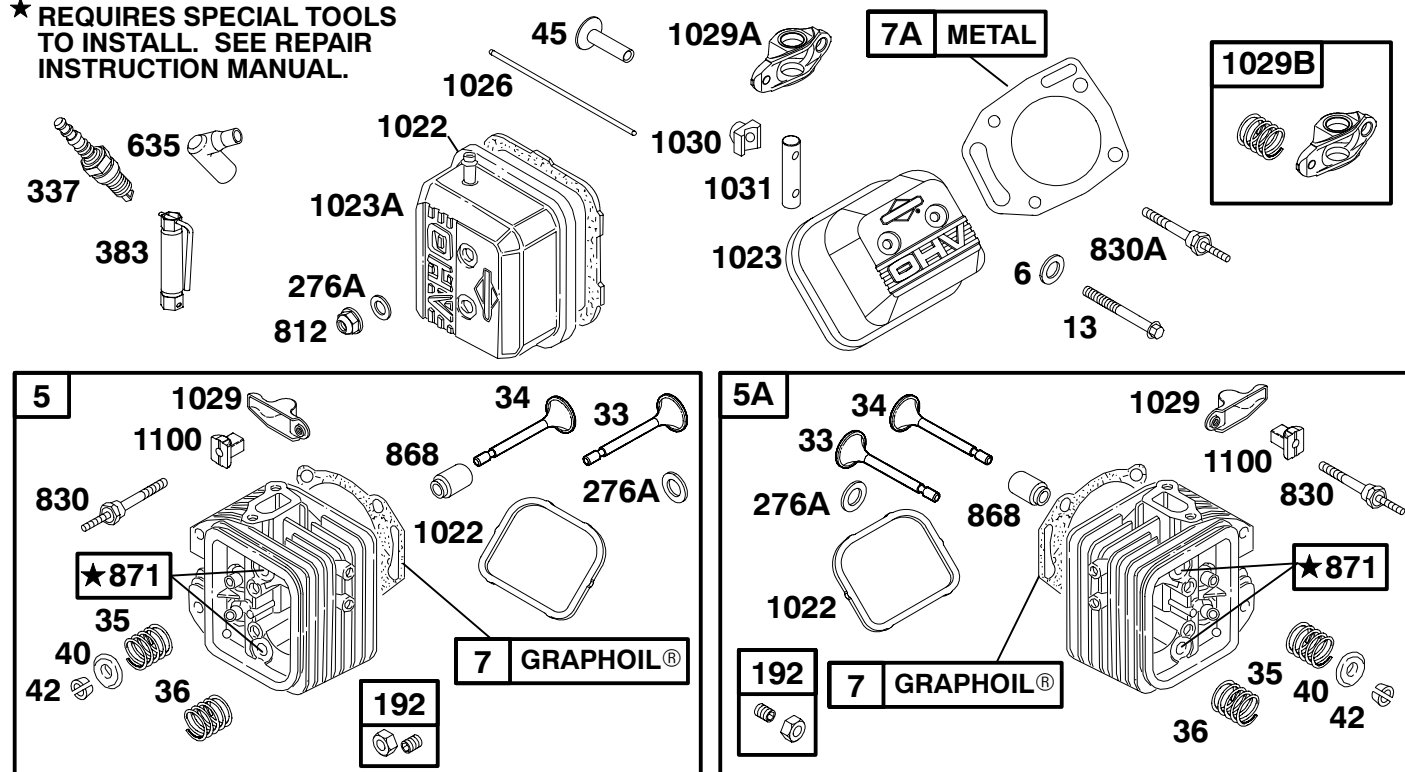
REF. NO.	PART NO.	DESCRIPTION	REF. NO.	PART NO.	DESCRIPTION	REF. NO.	PART NO.	DESCRIPTION
4	808846	Engine Sump (Used After Code Date 99072000). ----- <b>Note</b> ----- 808504 Engine Sump (Used Before Code Date 99072100)	20	★805049	Oil Seal (PTO Side)	552	690701	Governor Crank Bushing
12	★806190	Crankcase Gasket (Used After Code Date 97043000). ----- <b>Note</b> ----- ★805112 Crankcase Gasket (Used Before Code Date 97050100).	22	692540	Screw (Crankcase Cover/ Sump)	552A	806686	Governor Crank Bushing
15	690946	Oil Drain Plug	276	690704	Sealing Washer	552B	690702	Governor Crank Bushing
15A	690283	Oil Drain Plug	439	★692154	O-Ring Seal (Crankcase Cover/ Sump) (Used After Code Date 97043000). ----- <b>Note</b> ----- ★805198 O-Ring Seal (Crankcase Cover/ Sump) (Used Before Code Date 97050100).	615	805417	Governor Shaft Retainer
						616	806685	Governor Crank (Used After Code Date 99072000).
						616A	690899	Governor Crank (Used Before Code Date 99072100).
						691	★690680	Governor Shaft Seal

★ Included in Engine Gasket Set-See Ref. No. 358.  
Included in Valve Gasket Set-See Ref. No. 1095.

● Included in Carburetor Overhaul Kit-See Ref. No. 121.  
◆ Included in Carburetor Gasket Set-See Ref. No. 977.

# 303700 to 303799

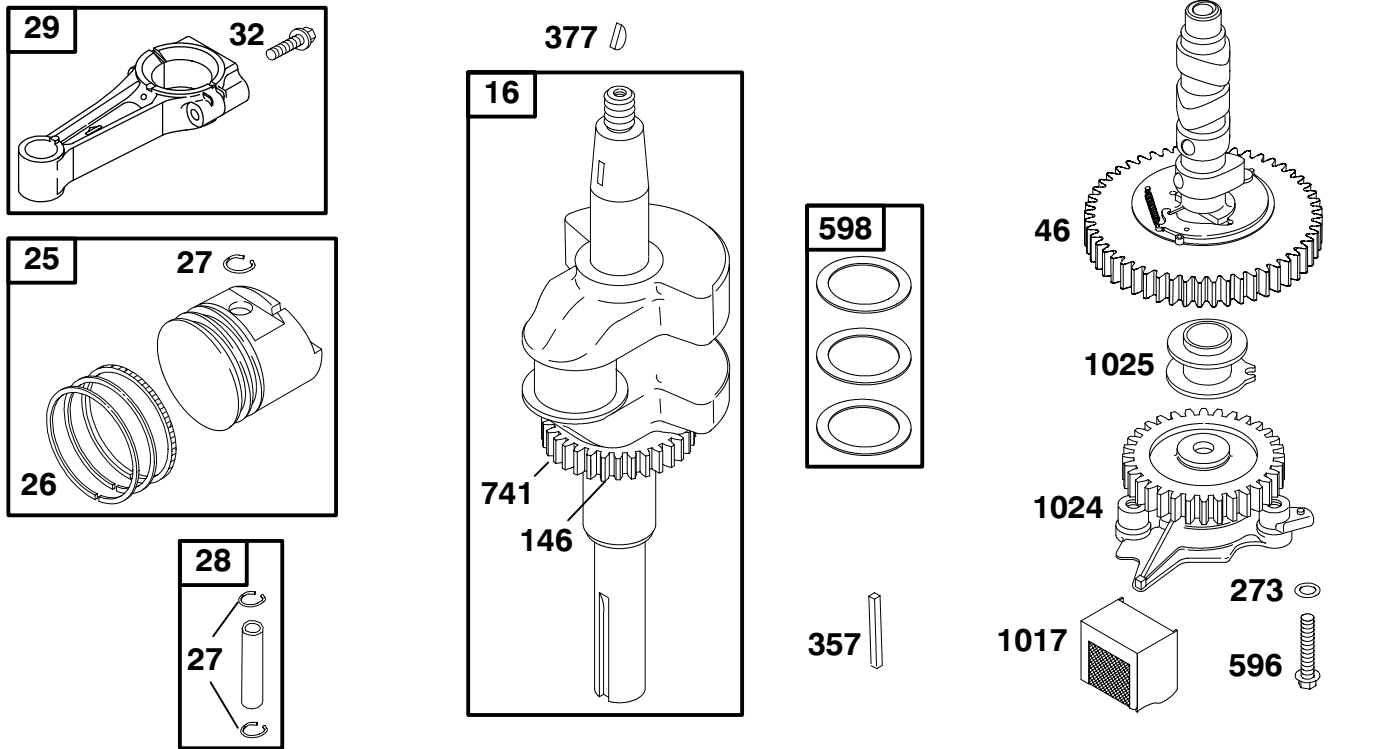
★ REQUIRES SPECIAL TOOLS TO INSTALL. SEE REPAIR INSTRUCTION MANUAL.



REF. NO.	PART NO.	DESCRIPTION	REF. NO.	PART NO.	DESCRIPTION	REF. NO.	PART NO.	DESCRIPTION
5	808381	Cylinder Head (Cylinder 1)	40	805092	Valve Retainer	1023A	691558	Rocker Arm Cover (Cylinder 1 with Fuel Pump)
5A	808382	Cylinder Head (Cylinder 2)	42	807683	Valve Keeper	1026	805352	Push Rod (Steel)
6	805193	Washer (Cylinder Head) (Used Before Code Date 94050100).	45	262679	Valve Tappet	----- Note -----		
7	★806085	Cylinder Head Gasket (Used After Code Date 96033100)	192	807623	Rocker Arm Adjuster	1029	691543	Rocker Arm (Used After Code Date 96033100).
7A	★807986	Cylinder Head Gasket (Used Before Code Date 96040100).	276A	★805420	Sealing Washer	1029A	808096	Rocker Arm (Used After Code Date 94011700 and Before Code Date 96040100).
13	805097	Screw (Cylinder Head)	337	491055	Sparkplug	1029B	808159	Rocker Arm (Used Before Code Date 94011800).
33	807681	Exhaust Valve	383	19374	Sparkplug Wrench	1030	691496	Rocker Arm Support
34	807680	Intake Valve	635	805529	Sparkplug Boot	1031	690693	Rocker Arm Shaft
35	805937	Valve Spring (Intake)	812	805019	Nut (Rocker Arm Cover)	1100	690973	Rocker Arm Pivot
36	805937	Valve Spring (Exhaust)	830	691544	Stud (Rocker Arm) (Used After Code Date 96033100).			
			830A	691497	Stud (Rocker Arm) (Used Before Code Date 96040100).			
			868	805094	Valve Seal			
			871	805084	Guide Bushing			
			1022	★806039	Rocker Cover Gasket			
			1023	691494	Rocker Arm Cover			

★ Included in Engine Gasket Set—See Ref. No. 358.  
 Included in Valve Gasket Set—See Ref. No. 1095.

● Included in Carburetor Overhaul Kit—See Ref. No. 121.  
 ◆ Included in Carburetor Gasket Set—See Ref. No. 977.

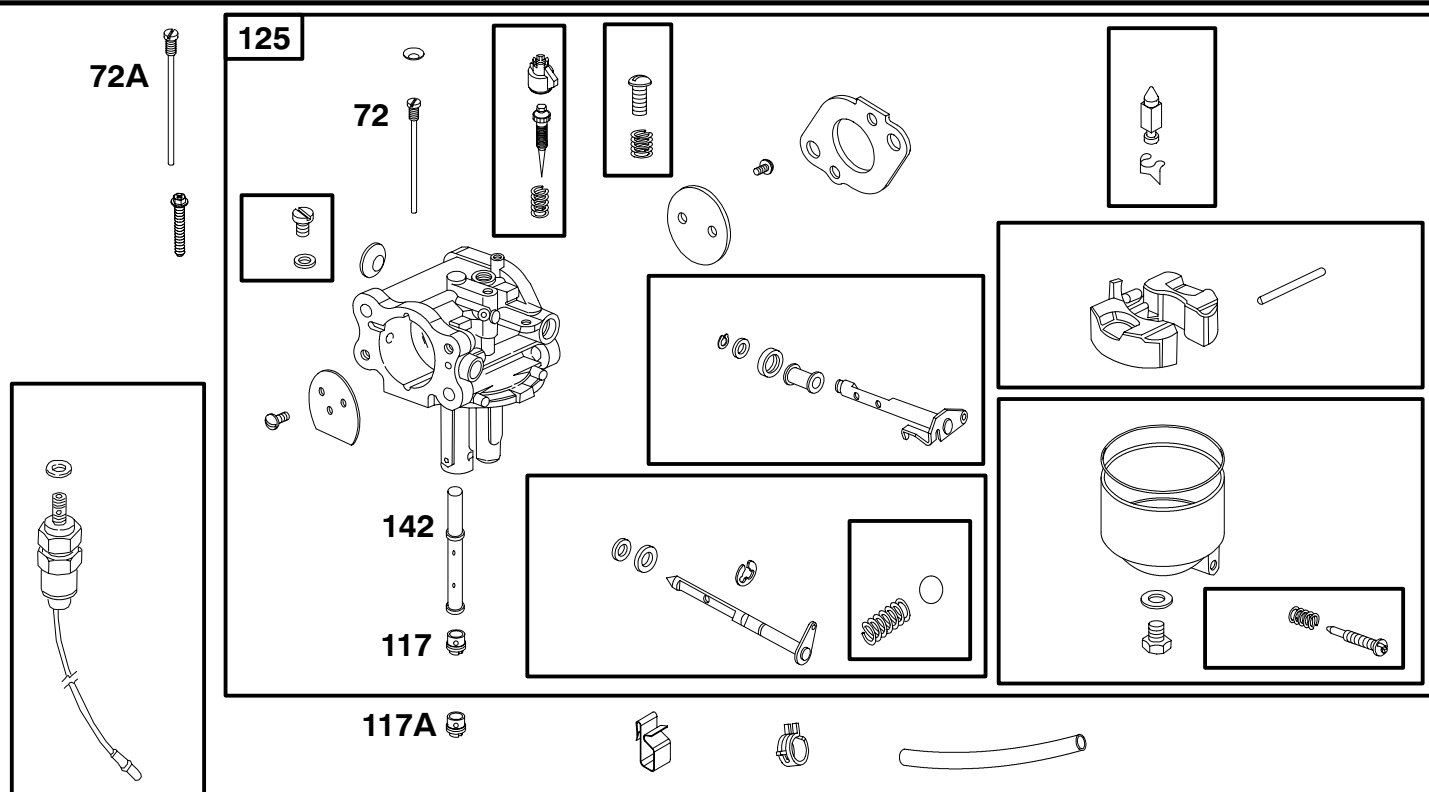


REF. NO.	PART NO.	DESCRIPTION	REF. NO.	PART NO.	DESCRIPTION	REF. NO.	PART NO.	DESCRIPTION
16	692159	Crankshaft (Used After Code Date 970430000. ----- <b>Note</b> ----- 807586 Crankshaft (Used Before Code Date 97050100). ----- 692160 Crankshaft (Used After Code Date 970430000. Used on Type No(s). 0119. 807587 Crankshaft (Used Before Code Date 97050100). Used on Type No(s). 0119. ----- 692160 Crankshaft (Used After Code Date 970430000. Used on Type No(s). 1125. 807804 Crankshaft (Used Before Code Date 97050100). Used on Type No(s). 0330, 0425, 1125.	25	807619	Piston Assembly (Standard) ----- <b>Note</b> ----- 807807 Piston Assembly (.010 Oversize) 807809 Piston Assembly (.020 Oversize) 807811 Piston Assembly (.030 Oversize)	29	807900	Connecting Rod (Standard) ----- <b>Note</b> ----- 807803 Connecting Rod (.020 Undersize)
			26	807620	Ring Set (Standard) ----- <b>Note</b> ----- 807808 Ring Set (.010 Oversize) 807810 Ring Set (.020 Oversize) 807812 Ring Set (.030 Oversize)	32	690698	Screw (Connecting Rod)
			27	690683	Piston Pin Lock	46	691557	Camshaft
			28	807621	Piston Pin (Standard)	146	94196	Timing Key
						273	690681	O-Ring Seal (Oil Pump)
						357	91540	Drive Pulley Key
						377	806066	Woodruff Key (Used After Code Date 95022800). ----- <b>Note</b> ----- 808095 Woodruff Key (Used Before Code Date 95030100).
						596	691492	Screw (Oil Pump)
						598	807625	End Play Shim
						741	805675	Timing Gear (Used After Code Date 91062300).
						1017	690878	Oil Pump Screen
						1024	693186	Oil Pump
						1025	690689	Governor Spool

★ Included in Engine Gasket Set-See Ref. No. 358.  
Included in Valve Gasket Set-See Ref. No. 1095.

● Included in Carburetor Overhaul Kit-See Ref. No. 121.  
◆ Included in Carburetor Gasket Set-See Ref. No. 977.

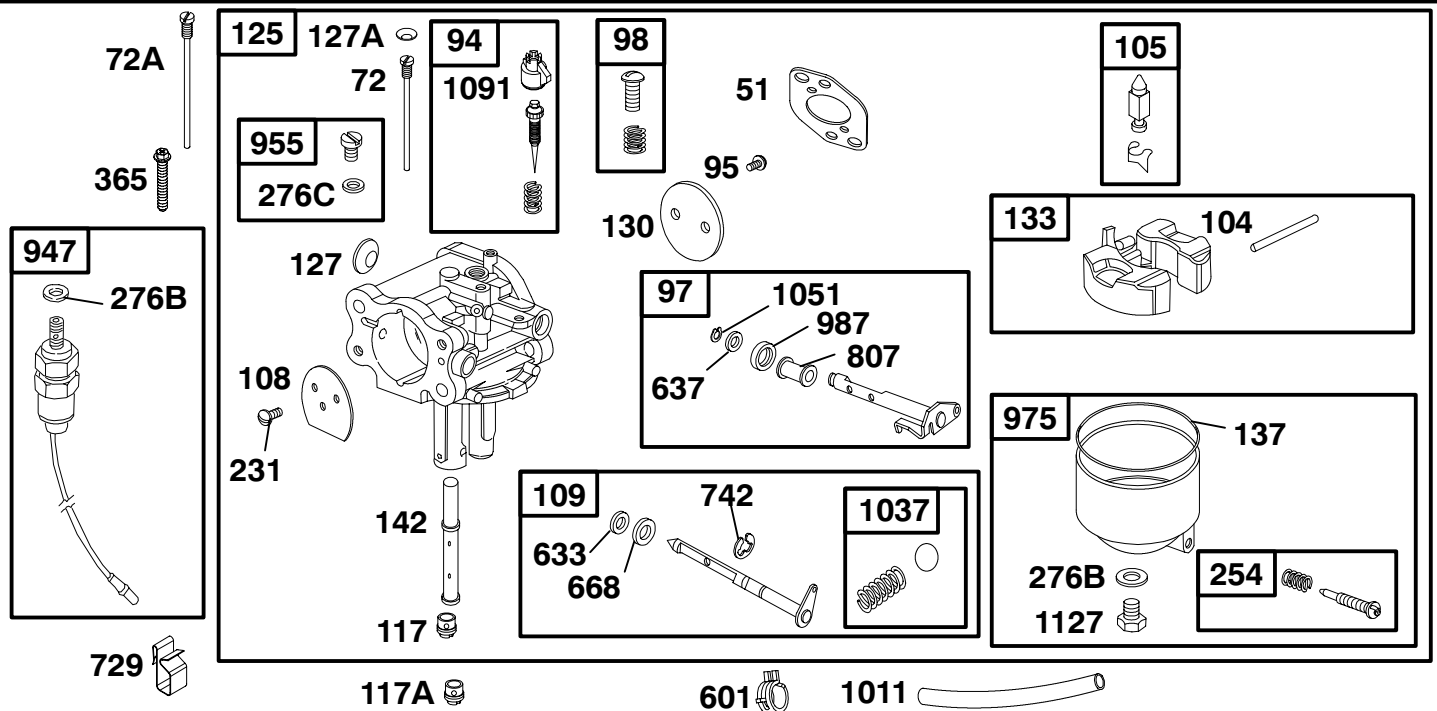
# 303700 to 303799



REF. NO.	PART NO.	DESCRIPTION	REF. NO.	PART NO.	DESCRIPTION	REF. NO.	PART NO.	DESCRIPTION
72	●806488	Jet Tube (Used After Code Date 98062600). ----- <b>Note</b> ----- ●690755 Jet Tube (Used After Code Date 92040600 and Before Code Date 98062700). ●806480 Jet Tube (Used Before Code Date 92040700).	117	●806487	Main Jet (Standard) (Used After Code Date 98062600).	142	●806635	Carburetor Nozzle (Used After Code Date 98062600). ----- <b>Note</b> ----- ●807960 Carburetor Nozzle (Includes Standard Main Jet) (Used After Code Date 92040600 and Before Code Date 98062700). ●807712 Carburetor Nozzle (Includes Standard Main Jet) (Used Before Code Date 92040700).
72A	694069	Jet Tube (High Altitude) (Used After Code Date 98062600).	117A	806634	Main Jet (High Altitude) (Used After Code Date 98062600).			
			125	808728	Carburetor (Used After Code Date 98062600). ----- <b>Note</b> ----- 808255 Carburetor (Used After Code Date 92040600 and Before Code Date 98062700). 807639 Carburetor (Used Before Code Date 92040700).			

★ Included in Engine Gasket Set-See Ref. No. 358.  
Included in Valve Gasket Set-See Ref. No. 1095.

● Included in Carburetor Overhaul Kit-See Ref. No. 121.  
◆ Included in Carburetor Gasket Set-See Ref. No. 977.

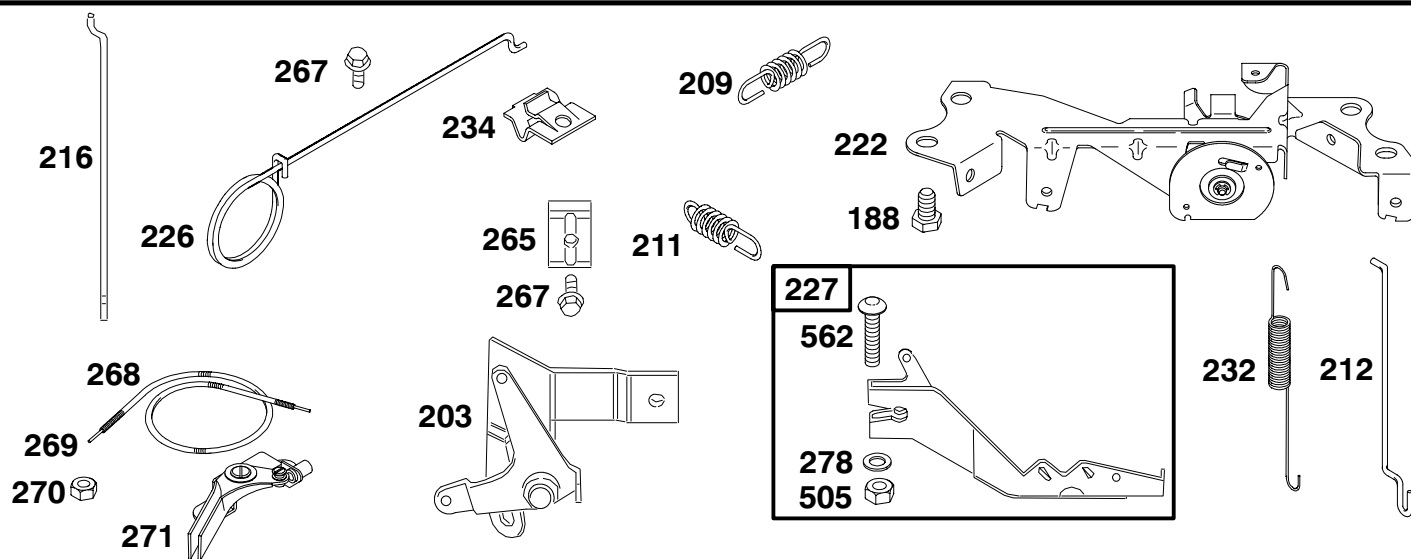


REF. NO.	PART NO.	DESCRIPTION	REF. NO.	PART NO.	DESCRIPTION	REF. NO.	PART NO.	DESCRIPTION
51	★805700	Intake Gasket (Manifold/Carburetor Spacer	125		Carburetor <b>See Previous Page</b>	742	●805578	E-Ring Retainer
72		Tube Jet <b>See Previous Page</b>	127	●690730	Welch Plug	807	●690733	Throttle Spacer
72A		Tube Jet <b>See Previous Page</b>	127A	●690731	Welch Plug	947	806472	Fuel Solenoid (Used After Code Date 98062600). ----- <b>Note</b> ----- 807744 Fuel Solenoid (Used Before Code Date 98062700).
94	●808258	Idle Mixture Kit (Used After Code Date 95092700). ----- <b>Note</b> ----- ●807707 Idle Mixture Kit (Used Before Code Date 95092800).	130	690732	Throttle Valve	955	807714	Carburetor Plug
95	690728	Screw (Throttle Valve)	133	807710	Carburetor Float	975	807715	Float Bowl
97	808323	Throttle Shaft (Used After Code Date 92040600). ----- <b>Note</b> ----- 807709 Throttle Shaft (Used Before Code Date 94040700).	137	◆●806481	Float Bowl Gasket	987	◆●691548	Throttle Shaft Seal (Used After Code Date 92040600). ----- <b>Note</b> ----- ◆●690734 Seal- Throttle Shaft (Used Before Code Date 92040700).
98	807705	Idle Speed Kit	142		Carburetor Nozzle <b>See Previous Page</b>	1011	692929	Vent Tube (Cut To Required Length) Used on Type No(s). 0418, 1118, 1145, 1151, 1194, 1196.
104	●690739	Float Hinge Pin	231	690728	Screw (Choke Valve)	1037	●807717	Choke Locator Ball
105	●807706	Float Needle Valve	254	807713	Carburetor Bowl Drain Sealing Washer (Float Bowl) (Used After Code Date 98062600). ----- <b>Note</b> ----- ◆●692343 Sealing Washer (Float Bowl) (Used Before Code Date 98062700).	1051	●690736	Retaining Ring (Throttle Shaft)
108	690729	Choke Valve	276B	◆●806476	Sealing Washer (Float Bowl)	1091	●691515	Limiter Cap
109	807711	Choke Shaft	365	690695	Screw (Carburetor)	1127	691511	Screw (Float Bowl)
117		Main Jet <b>See Previous Page</b>	601	94171	Hose Clamp			
117A		Main Jet <b>See Previous Page</b>	633	◆●690738	Choke Shaft Seal			
			637	●690735	Washer (Throttle Shaft)			
			668	●690737	Spacer			
			729	805827	Wire Clip			

★ Included in Engine Gasket Set-See Ref. No. 358.  
Included in Valve Gasket Set-See Ref. No. 1095.

● Included in Carburetor Overhaul Kit-See Ref. No. 121.  
◆ Included in Carburetor Gasket Set-See Ref. No. 977.

# 303700 to 303799

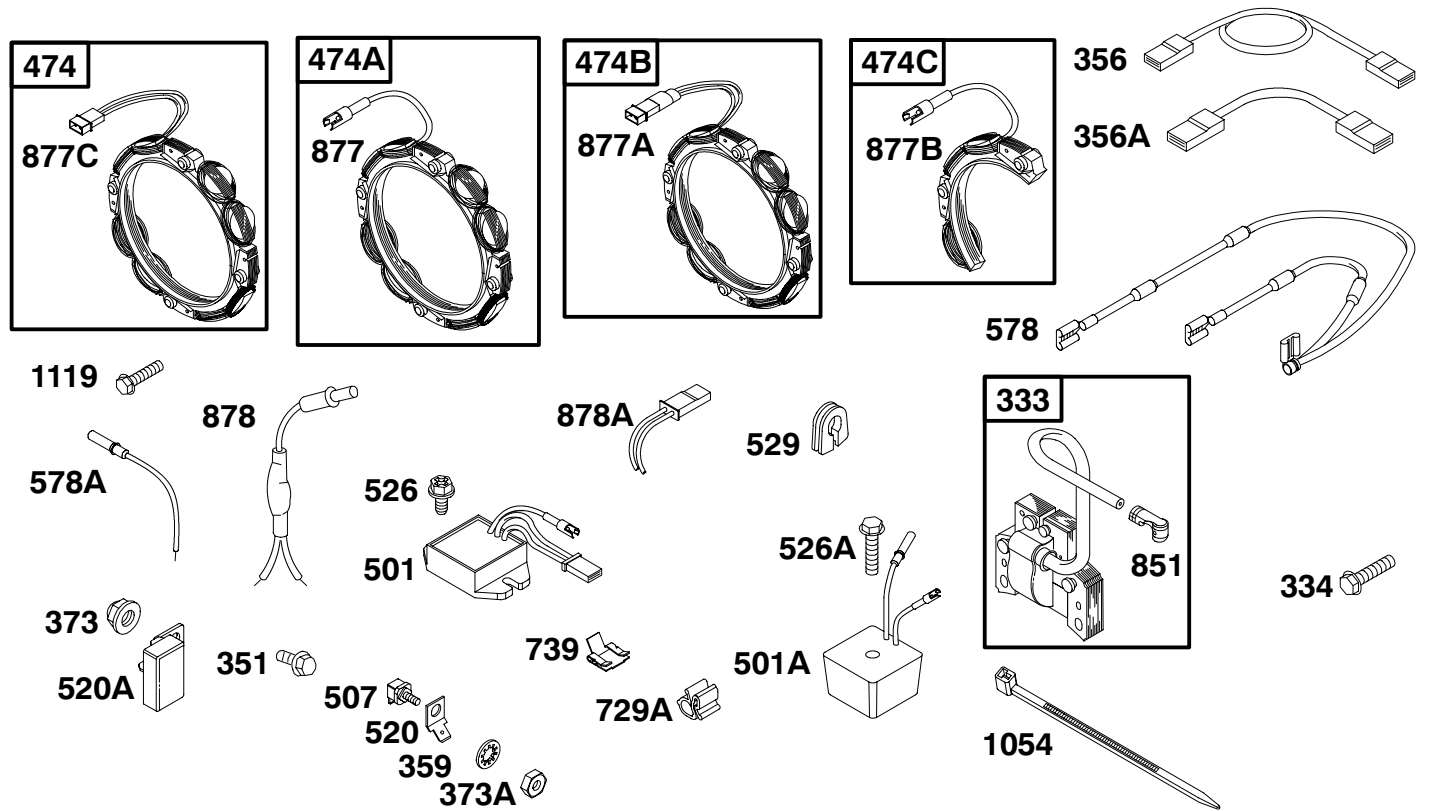


REF. NO.	PART NO.	DESCRIPTION	REF. NO.	PART NO.	DESCRIPTION	REF. NO.	PART NO.	DESCRIPTION
188	805025	Screw (Control Bracket)		691508	Governor Spring	226	805509	Hand Choke Rod
203	690923	Bell Crank			Used on Type No(s). 0007, 0121, 0127, 0131, 0135, 0137, 0440, 1116E1, 1116E2, 1132, 1140, 1150, 1188.	227	690236	Governor Control Lever
209	805460	Governor Spring		805464	Governor Spring	232	805465	Governor Link Spring
		----- <b>Note</b> -----			Used on Type No(s). 0416, 0420, 0426, 0431, 0438, 1116A1, 1116A2, 1120, 1126, 1131, 1138, 1148.	234	221372	Control Rod Clip
		690710 Governor Spring			Used on Type No(s). 0032, 0124, 0133, 0330, 0332, 0412, 0425, 0430, 0431, 0436, 1032, 1035, 1112, 1121, 1125, 1130, 1134, 1136, 1142, 1144, 1147, 1153, 1161, 1189, 1191, 1192, 1193, 1194, 1195, 1196.	265	221535	Casing Clamp
		805462 Governor Spring	211	805453	Governed Idle Spring	267	805762	Screw (Casing Clamp)
		Used on Type No(s). 0032, 0124, 0133, 0330, 0332, 0412, 0425, 0430, 0431, 0436, 1032, 1035, 1112, 1121, 1125, 1130, 1134, 1136, 1142, 1144, 1147, 1153, 1161, 1189, 1191, 1192, 1193, 1194, 1195, 1196.	212	690712	Throttle Link	268	65616	Control Wire Casing (Cut to Required Length)
			216	690705	Choke Link	269	26633	Control Wire (Cut to Required Length)
			222	808454	Control Bracket (Used After Code Date 95043000). ----- <b>Note</b> -----	270	63426	Nut (Control Wire Casing)
					807610 Control Bracket (Used Before Code Date 95050100).	271	290568	Control Lever
						278	690237	Washer (Governor Control Lever)
						505	690238	Nut (Governor Control Lever)
						562	690239	Bolt (Governor Control Lever)

★ Included in Engine Gasket Set-See Ref. No. 358.  
Included in Valve Gasket Set-See Ref. No. 1095.

● Included in Carburetor Overhaul Kit-See Ref. No. 121.  
◆ Included in Carburetor Gasket Set-See Ref. No. 977.



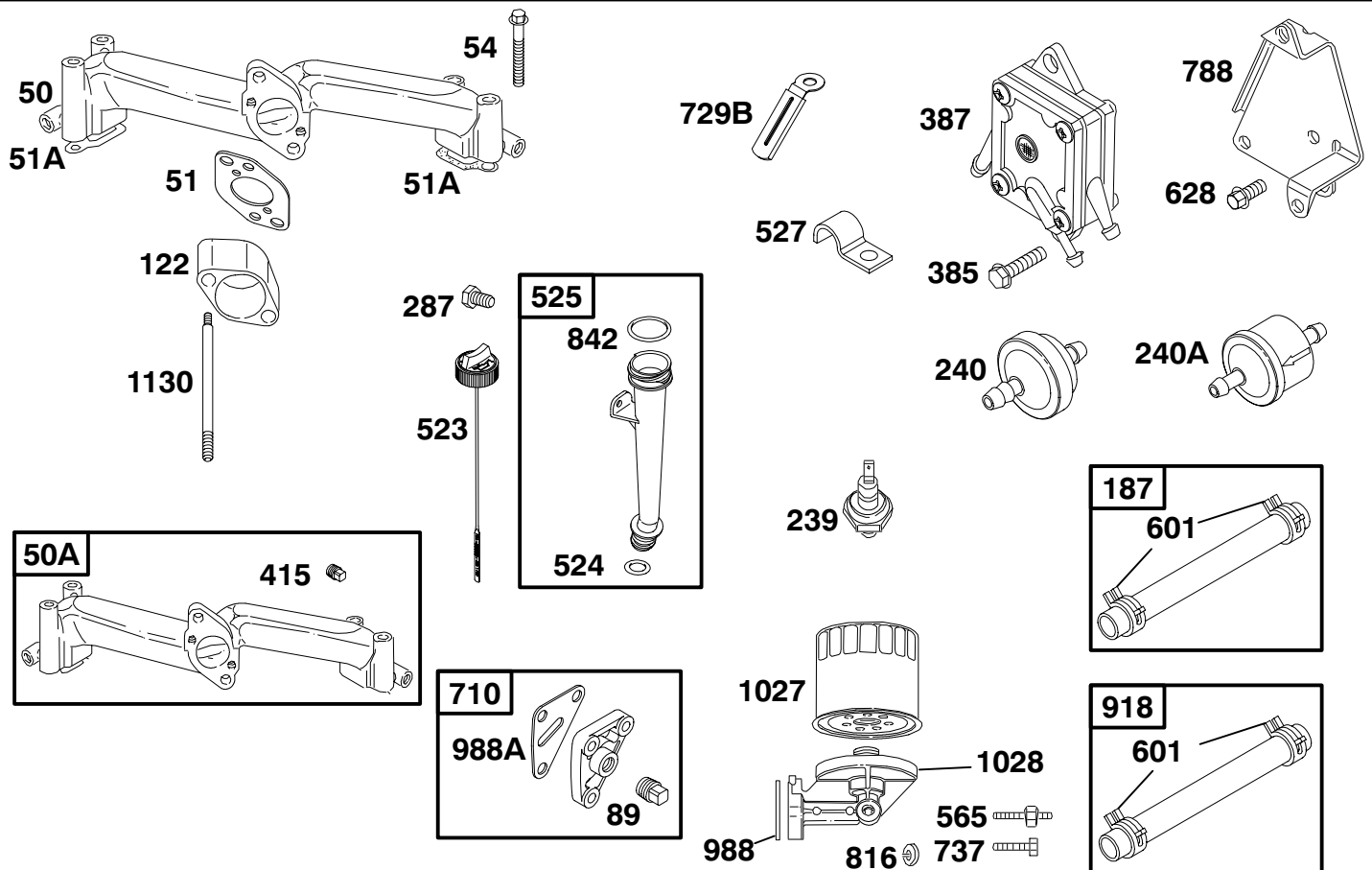


REF. NO.	PART NO.	DESCRIPTION	REF. NO.	PART NO.	DESCRIPTION	REF. NO.	PART NO.	DESCRIPTION		
333	492341	Magneto Armature	501	394890	Regulator (Single Connector Output 16 Amp)	578	493792	Wire Assembly (With Diodes)		
334	805407	Screw (Magneto Armature)			----- Note -----	578A	393422	Wire Assembly (Alternator)		
351	805762	Screw (Ground Terminal)			493219 Regulator (Double Connector Output)	729A	690586	Wire Clip		
356	807593	Stop Wire (Cylinder 2)			501A	491546	Regulator (Regulated 9 Amp)	739	690451	Debris Clip
356A	807594	Stop Wire (Cylinder 1)			507	398525	Insulator	851	493880	Sparkplug Terminal
359	691077	Washer (Ground Terminal)			520	691084	Ground Terminal	877	393537	Alternator Connector/ Wire (Tri Circuit)
373	690713	Nut (Ground Terminal)			520A	807527	Ground Terminal	877A	393456	Alternator Connector/ Wire (Dual Circuit)
373A	90576	Nut (Ground Terminal)			526	805448	Screw (Regulator)	877B	393814	Alternator Connector/ Wire (DC Only)
474	393295	Alternator (Regulated)			526A	690717	Screw (Regulator)	877C	399916	Alternator Connector/ Wire (Regulated)
474A	392595	Alternator (Tri Circuit)						878	392606	Alternator Harness (Tri Circuit)
474B	393474	Alternator (Dual Circuit)						878A	393362	Alternator Harness (Dual Circuit)
474C	391529	Alternator (DC Only)						1054	280275	Cable Tie
					529	690744	Grommet	1119	691552	Screw (Alternator)

★ Included in Engine Gasket Set-See Ref. No. 358.  
Included in Valve Gasket Set-See Ref. No. 1095.

● Included in Carburetor Overhaul Kit-See Ref. No. 121.  
◆ Included in Carburetor Gasket Set-See Ref. No. 977.

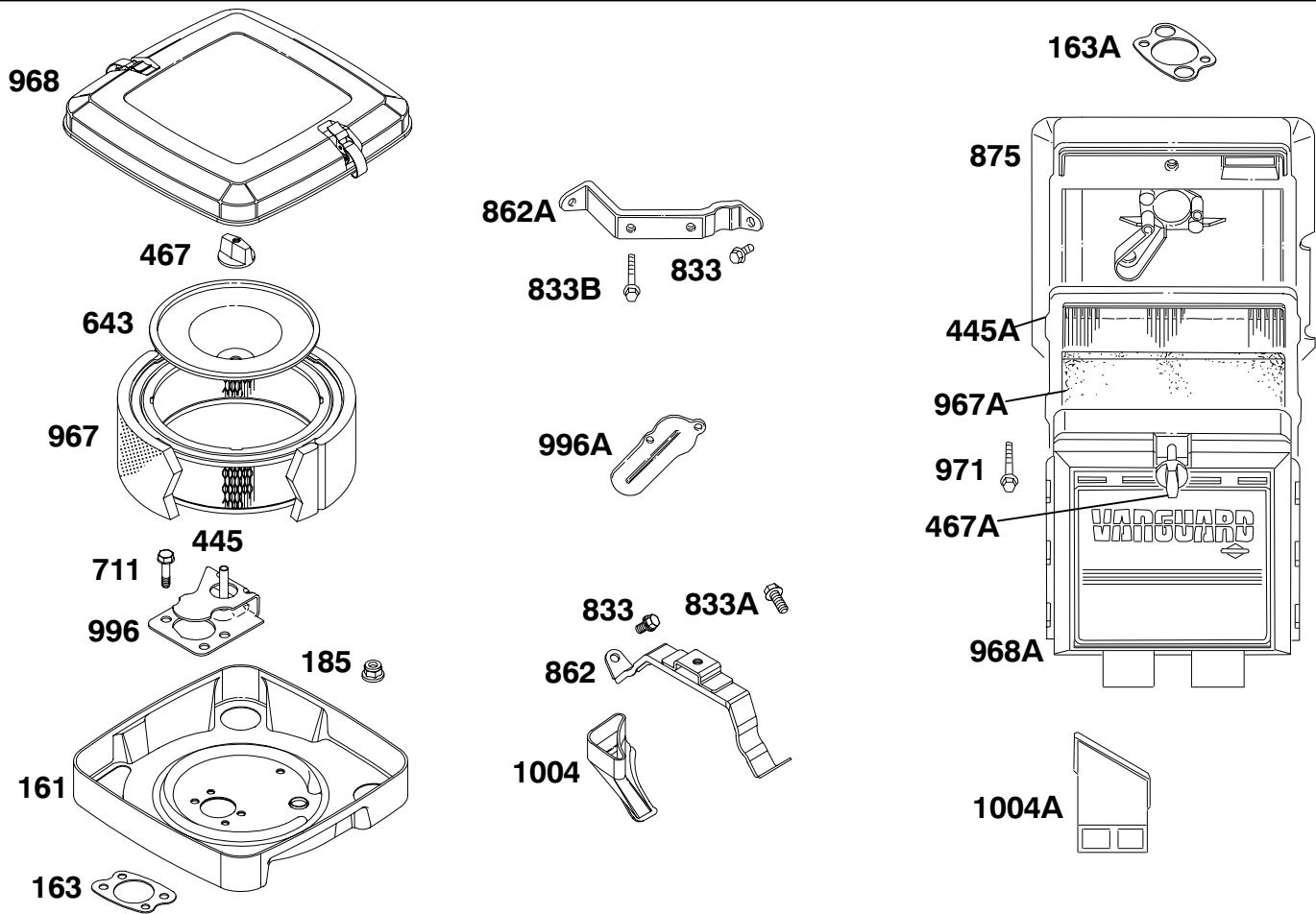
# 303700 to 303799



REF. NO.	PART NO.	DESCRIPTION	REF. NO.	PART NO.	DESCRIPTION	REF. NO.	PART NO.	DESCRIPTION
50	690754	Intake Manifold	239	690233	Oil Pressure Switch	737	690679	Screw (Oil Filter Adapter)
50A	692124	Intake Manifold Used on Type No(s). 1156.	240	394358	Fuel Filter	788	691559	Fuel Pump Bracket
51	★805700	Intake Gasket (Manifold/Carburetor Spacer)	240A	493629	Fuel Filter	816	690706	Washer (Oil Filter Adapter)
51A	★805023	Intake Gasket (Manifold/Heads)	287	692537	Screw (Dipstick Tube)	842	★270920	O-Ring Seal (Dipstick Cap)
54	690676	Screw (Intake Manifold)	385	693169	Screw (Fuel Pump)	918	393815	Vacuum Hose (Cut to Required Length)
89	690283	Oil Plug	387	808656	Fuel Pump	988	★805250	Oil Adapter Gasket
122	690753	Carburetor Spacer (Used After Code Date 92061600). ----- Note ----- 690692 Carburetor Spacer (Used Before Code Date 92061700).	415	690283	Plug (Intake Manifold)	988A	★690687	Oil Adapter Gasket
187	298049	Fuel Line (Cut to Required Length)	523	692101	Dipstick	1027	491056	Oil Filter (3 1/4" Long)
			524	★805011	O-Ring Seal (Dipstick Tube)	1028	808235	Oil Filter Adapter
			525	807501	Dipstick Tube	1130	690749	Stud (Intake Manifold)
			527	690423	Tube Clamp			----- Note ----- 492932 Oil Filter (2 1/4" Long)
			565	690682	Stud (Oil Filter Adapter)			
			601	93807	Hose Clamp			
			628	805247	Screw (Fuel Pump Bracket)			
			710	807689	Oil Filter Cover			
			729B	805965	Wire Clip			

★ Included in Engine Gasket Set-See Ref. No. 358.  
Included in Valve Gasket Set-See Ref. No. 1095.

● Included in Carburetor Overhaul Kit-See Ref. No. 121.  
◆ Included in Carburetor Gasket Set-See Ref. No. 977.

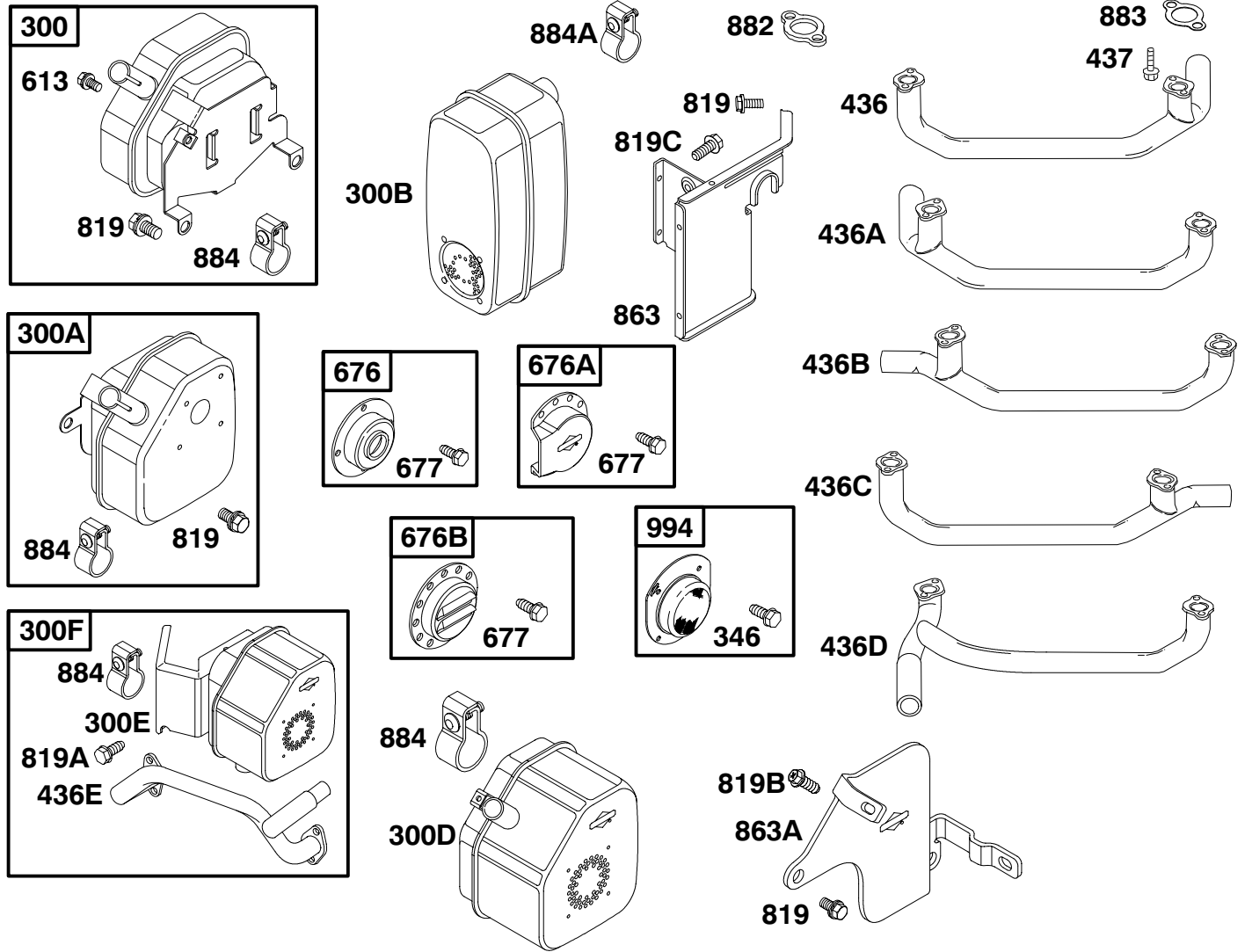


REF. NO.	PART NO.	DESCRIPTION	REF. NO.	PART NO.	DESCRIPTION	REF. NO.	PART NO.	DESCRIPTION
161	691561	Air Cleaner Base (Metal)	833	692539	Screw (Cleaner Mounting Strap)	875	690894	Air Cleaner Base (Plastic)
163	★805655	Air Cleaner Gasket (Used With Metal Air Cleaner Base)	833A	690872	Screw (Cleaner Mounting Strap)	967	272490	Pre Cleaner Filter (Round)
163A	★805003	Air Cleaner Gasket (Used With Plastic Air Cleaner Base)	833B	690699	Screw (Cleaner Mounting Strap)	967A	805267	Pre Cleaner Filter (Rectangular)
185	690939	Nut (Air Cleaner Base)	862	692542	Strap/Stud-Air Cleaner Mount (Used After Code Date 97103100).	968	807862	Air Cleaner Cover (Used With Metal Air Cleaner Base)
445	394018	Filter-Air Cleaner Cartridge (Round)				968A	690694	Air Cleaner Cover (Used With Plastic Air Cleaner Base)
445A	805113	Filter-Air Cleaner Cartridge (Rectangular)				971	690699	Screw (Air Cleaner Base)
467	491875	Air Cleaner Knob				996	691577	Carburetor Shield
467A	690895	Air Cleaner Knob				996A	690696	Carburetor Shield
643	805631	Air Filter Retainer				1004	690743	Air Duct (Used With Metal Air Cleaner Base)
711	692537	Screw (Carburetor Shield)	862A	690896	Strap/Stud-Air Cleaner Mount	1004A	692538	Air Duct (Used With Plastic Air Cleaner Base)

★ Included in Engine Gasket Set-See Ref. No. 358.  
 Included in Valve Gasket Set-See Ref. No. 1095.

● Included in Carburetor Overhaul Kit-See Ref. No. 121.  
 ◆ Included in Carburetor Gasket Set-See Ref. No. 977.

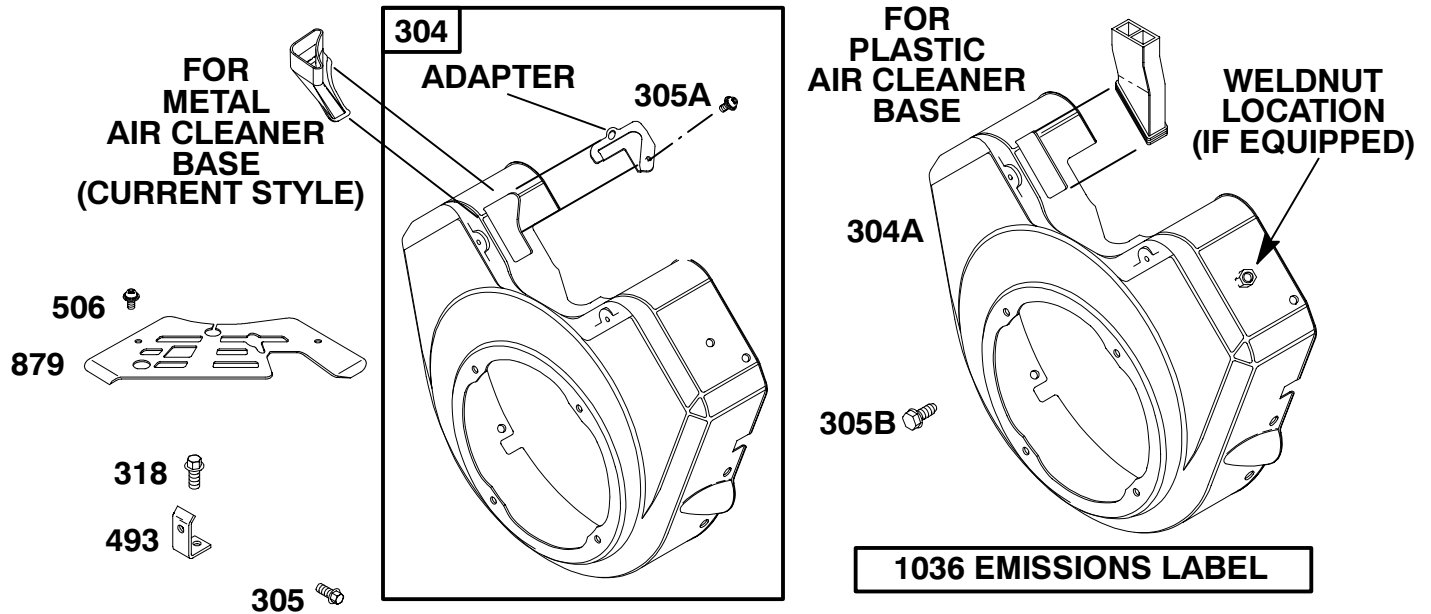
# 303700 to 303799



REF. NO.	PART NO.	DESCRIPTION	REF. NO.	PART NO.	DESCRIPTION	REF. NO.	PART NO.	DESCRIPTION
300	807741	Exhaust Muffler	613	692539	Screw (Exhaust Muffler)	819C	690297	Screw (Muffler Bracket)
300A	807742	Exhaust Muffler	676	396903	Muffler Deflector (Direct Out)	863	224359	Muffler Bracket
300B	498984	Exhaust Muffler	676A	393761	Muffler Deflector (Side Out)	863A	691513	Muffler Bracket
300D	807948	Exhaust Muffler	676B	397630	Muffler Deflector (Louvered)	882	805502	Exhaust Flange
300E	807953	Exhaust Muffler	677	94896	Screw (Muffler Deflector)	883	★805024	Exhaust Gasket
300F	807969	Exhaust Muffler	819	805025	Screw (Muffler Bracket)	884	690898	Muffler Clamp (! 9/64" ID)
346	94896	Screw (Spark Arrester)	819A	805247	Screw (Muffler Bracket)	884A	392649	Muffler Clamp (! 1/4" ID)
436	805142	Exhaust Manifold	819B	805448	Screw (Muffler Bracket)	994	392390	Spark Arrester
436A	691499	Exhaust Manifold						
436B	691502	Exhaust Manifold						
436C	691501	Exhaust Manifold						
436D	805609	Exhaust Manifold						
436E	805778	Exhaust Manifold						
437	805158	Screw (Exhaust Manifold)						

★ Included in Engine Gasket Set-See Ref. No. 358.  
 Included in Valve Gasket Set-See Ref. No. 1095.

● Included in Carburetor Overhaul Kit-See Ref. No. 121.  
 ◆ Included in Carburetor Gasket Set-See Ref. No. 977.

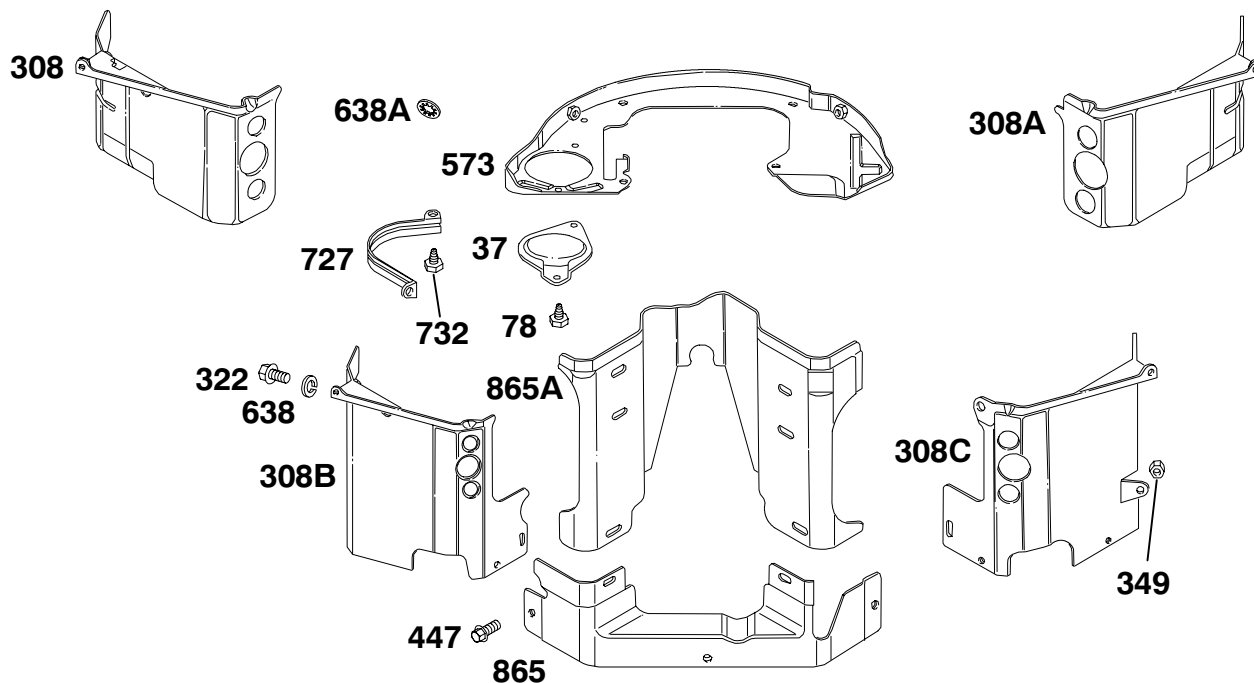


REF. NO.	PART NO.	DESCRIPTION	REF. NO.	PART NO.	DESCRIPTION	REF. NO.	PART NO.	DESCRIPTION
304	808055	Blower Housing (Red) ----- <b>Note</b> ----- 808408 Blower Housing (Black)		807820	Blower Housing (Red, For Plastic Air Cleaner Base) (Used After Code Date 90111600).	305B	805247	Screw (Blower Housing)
304A	807814	Blower Housing (Black, For Plastic Air Cleaner Base) (Used After Code Date 90111600). ----- <b>Note</b> ----- 807891 Blower Housing (Black, For Plastic Air Cleaner Base) (Used Before Code Date 90111700). 807662 Blower Housing (Black, For Plastic Air Cleaner Base) (Used Before Code Date 90111700).		807892	Blower Housing (Red, For Plastic Air Cleaner Base) (Used Before Code Date 90111700).	318	805026	Screw (Mounting Bracket)
				808008	Blower Housing (Red, For Plastic Air Cleaner Base) (Used After Code Date 90111600).	493	691503	Mounting Bracket
				807654	Blower Housing (Red, For Plastic Air Cleaner Base) (Used Before Code Date 90111700).	506	690677	Screw (Carburetor Cover)
			305	805025	Screw (Blower Housing)	879	690757	Carburetor Cover
			305A	93410	Screw (Blower Housing)	1036	806695	Emissions Label (Used After Code Date 99093000). ----- <b>Note</b> ----- 806624 Emissions Label (Used Before Code Date 99010100 and After Code Date 98123100). 499368 Emissions Label (Used Before Code Date 99010100 and After Code Date 97052500). 499367 Emissions Label (Used Before Code Date 97052600).

★ Included in Engine Gasket Set-See Ref. No. 358.  
Included in Valve Gasket Set-See Ref. No. 1095.

● Included in Carburetor Overhaul Kit-See Ref. No. 121.  
◆ Included in Carburetor Gasket Set-See Ref. No. 977.

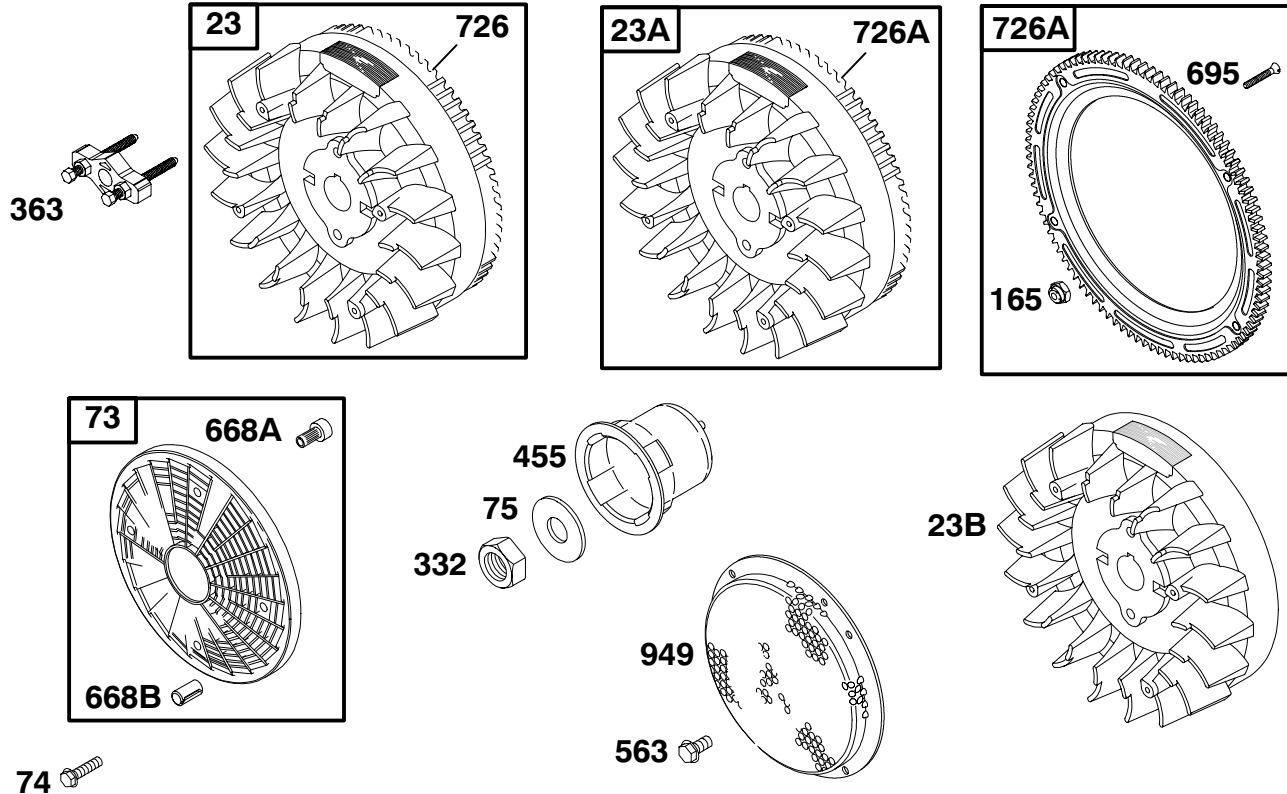
# 303700 to 303799



REF. NO.	PART NO.	DESCRIPTION	REF. NO.	PART NO.	DESCRIPTION	REF. NO.	PART NO.	DESCRIPTION
37	690715	Flywheel Guard (Black) ----- <b>Note</b> ----- 805504 Flywheel Guard (Red)	308B	691576	Cylinder Head Cover (Cylinder 1, Black) (Used After Code Date 90111600). ----- <b>Note</b> ----- 807658 Cylinder Head Cover (Cylinder 1, Black) (Used Before Code Date 90111700).	638	690706	Washer (Cylinder Head Cover) (Spring Lock)
78	690688	Screw (Flywheel Guard)				638A	691551	Washer (Cylinder Head Cover) (Internal Tooth)
308	807868	Cylinder Head Cover (Cylinder 1, Black) (Used After Code Date 90111600). ----- <b>Note</b> ----- 807656 Cylinder Head Cover (Used Before Code Date 90111700). (Cylinder 1, Black)	308C	691563	Cylinder Head Cover (Cylinder 2, Black) (Used After Code Date 90111600). ----- <b>Note</b> ----- 807659 Cylinder Head Cover (Cylinder 2, Black) (Used Before Code Date 90111700).	727	690714	Starter Drive Cover (Black) ----- <b>Note</b> ----- 805503 Starter Drive Cover (Red)
308A	807869	Cylinder Head Cover (Cylinder 2, Black) (Used After Code Date 90111600). ----- <b>Note</b> ----- 807657 Cylinder Head Cover (Cylinder 2, Black) (Used Before Code Date 90111700).	322	805448	Screw (Cylinder Head Cover)	732	690688	Screw (Starter Drive Cover)
			349	690238	Nut (Cylinder Head Cover)	865	690901	Air Guide Cover (Black) ----- <b>Note</b> ----- 807653 Air Guide Cover (Red)
			447	692539	Screw (Air Guide Cover)	865A	690750	Air Guide Cover (Valley)(Black)
			573	690902	Back Plate			

★ Included in Engine Gasket Set-See Ref. No. 358.  
Included in Valve Gasket Set-See Ref. No. 1095.

● Included in Carburetor Overhaul Kit-See Ref. No. 121.  
◆ Included in Carburetor Gasket Set-See Ref. No. 977.

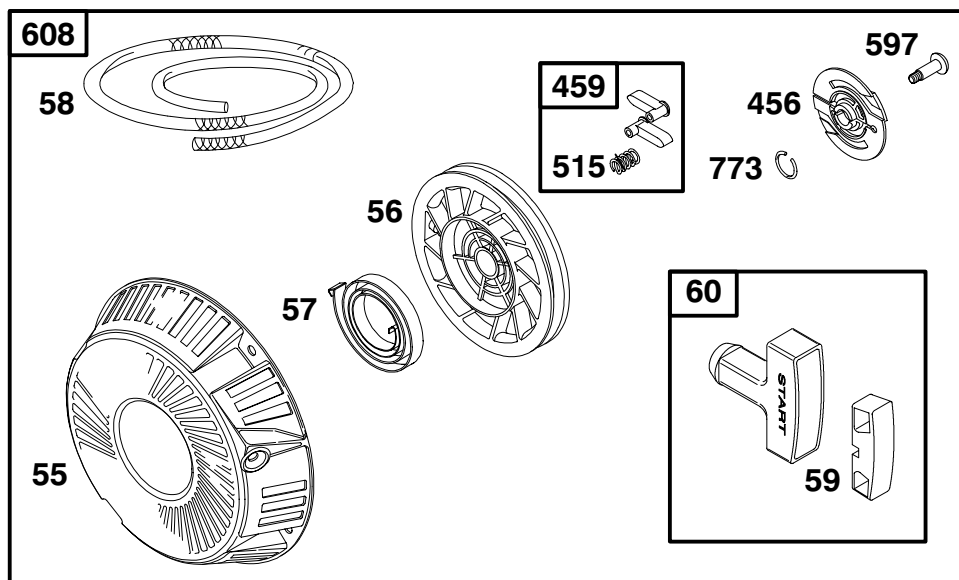


REF. NO.	PART NO.	DESCRIPTION	REF. NO.	PART NO.	DESCRIPTION	REF. NO.	PART NO.	DESCRIPTION
23	808766	Flywheel (Steel Ring Gear) ----- <b>Note</b> ----- 808774 Flywheel (Steel Ring Gear) Used on Type No(s). 1128, 1130, 1145, 1147, 1149.	23B	690889	Flywheel (For Rewind Starter)	695	693149	Screw (Ring Gear)
			73	494439	Rotating Screen	726		Gear-Ring (Steel) (Sold in Flywheel Kit Only; Ref. 23)
			74	805447	Screw (Rotating Screen)	726A	807805	Gear-Ring (Aluminum)
			75	691490	Washer (Flywheel)	949	690475	Guard-Debris Screen
23A	690892	Flywheel (Aluminum Ring Gear) ----- <b>Note</b> ----- 690891 Flywheel (Aluminum Ring Gear) Used on Type No(s). 0100, 0101, 0127, 0139, 0428, 0430, 0434, 1121, 1128, 1130, 1145, 1147.	165	693148	Nut (Ring Gear)			
			332	690887	Nut (Flywheel)			
			363	19203	Flywheel Puller			
			455	691517	Cup-Flywheel			
			563	805026	Screw (Debris Screen Guard)			
			668A	691500	Spacer			
			668B	691215	Spacer			

★ Included in Engine Gasket Set-See Ref. No. 358.  
Included in Valve Gasket Set-See Ref. No. 1095.

● Included in Carburetor Overhaul Kit-See Ref. No. 121.  
◆ Included in Carburetor Gasket Set-See Ref. No. 977.

# 303700 to 303799



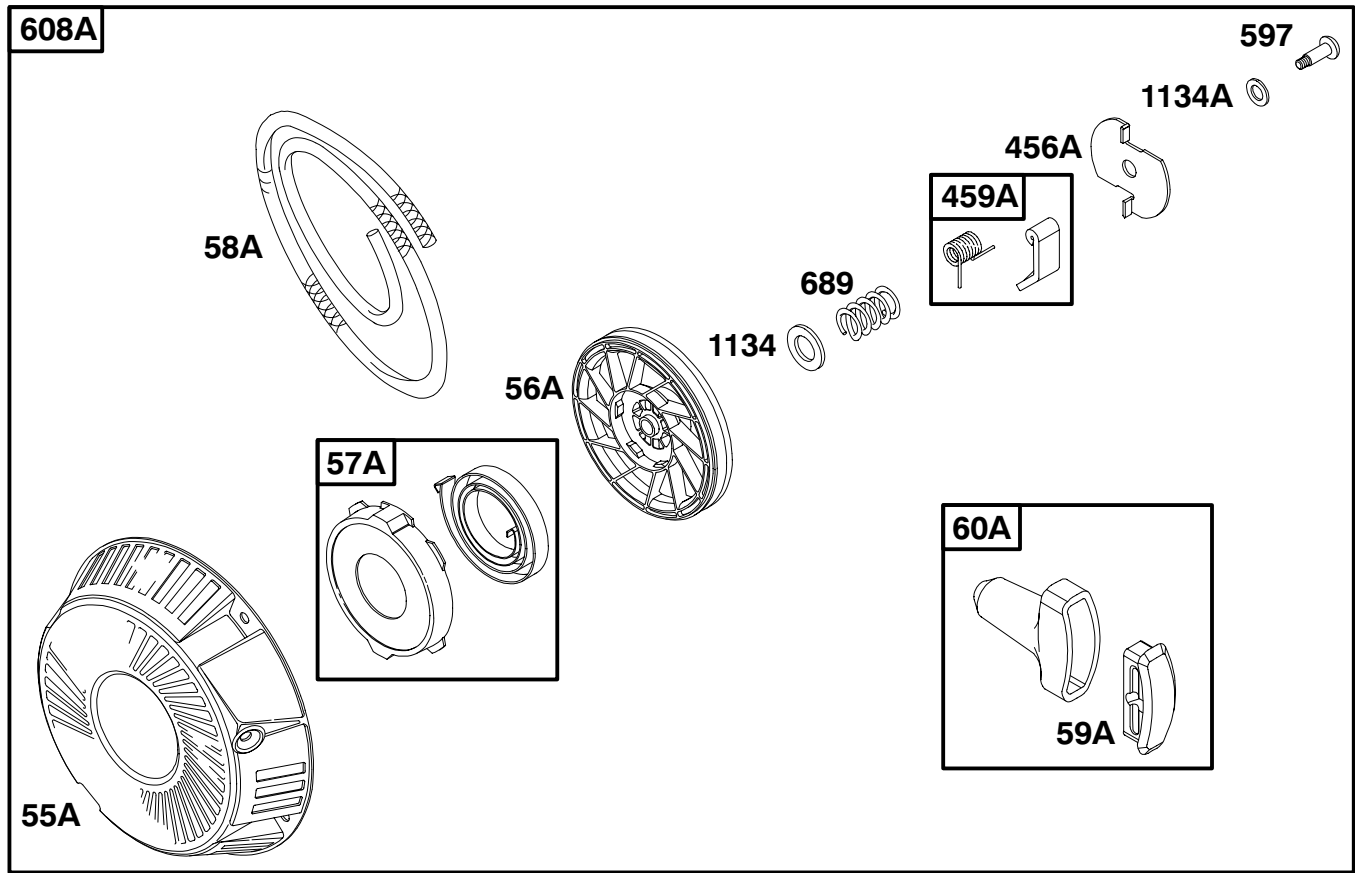
318A

REF. NO.	PART NO.	DESCRIPTION	REF. NO.	PART NO.	DESCRIPTION	REF. NO.	PART NO.	DESCRIPTION
55	691568	Rewind Starter Housing	65	692539	Screw (Rewind Starter)	515	691528	Pawl Spring
56	805949	Starter Pulley	318A	692539	Screw (Mounting Bracket) (Rewind Starter)	597	690876	Screw (Pawl Friction Plate)
57	805951	Rewind Starter Spring	456	691529	Pawl Friction Plate	608	808087	Rewind Starter (Used After Code Date 93072500).
58	66574	Starter Rope (Cut to Required Length)	459	808166	Ratchet Pawl	773	690875	Retainer (Pawl Friction Plate)
59	805957	Grip Insert	493	691503	Mounting Bracket (Rewind Starter)			
60	808167	Starter Rope Grip						

★ Included in Engine Gasket Set-See Ref. No. 358.  
 Included in Valve Gasket Set-See Ref. No. 1095.

● Included in Carburetor Overhaul Kit-See Ref. No. 121.  
 ◆ Included in Carburetor Gasket Set-See Ref. No. 977.



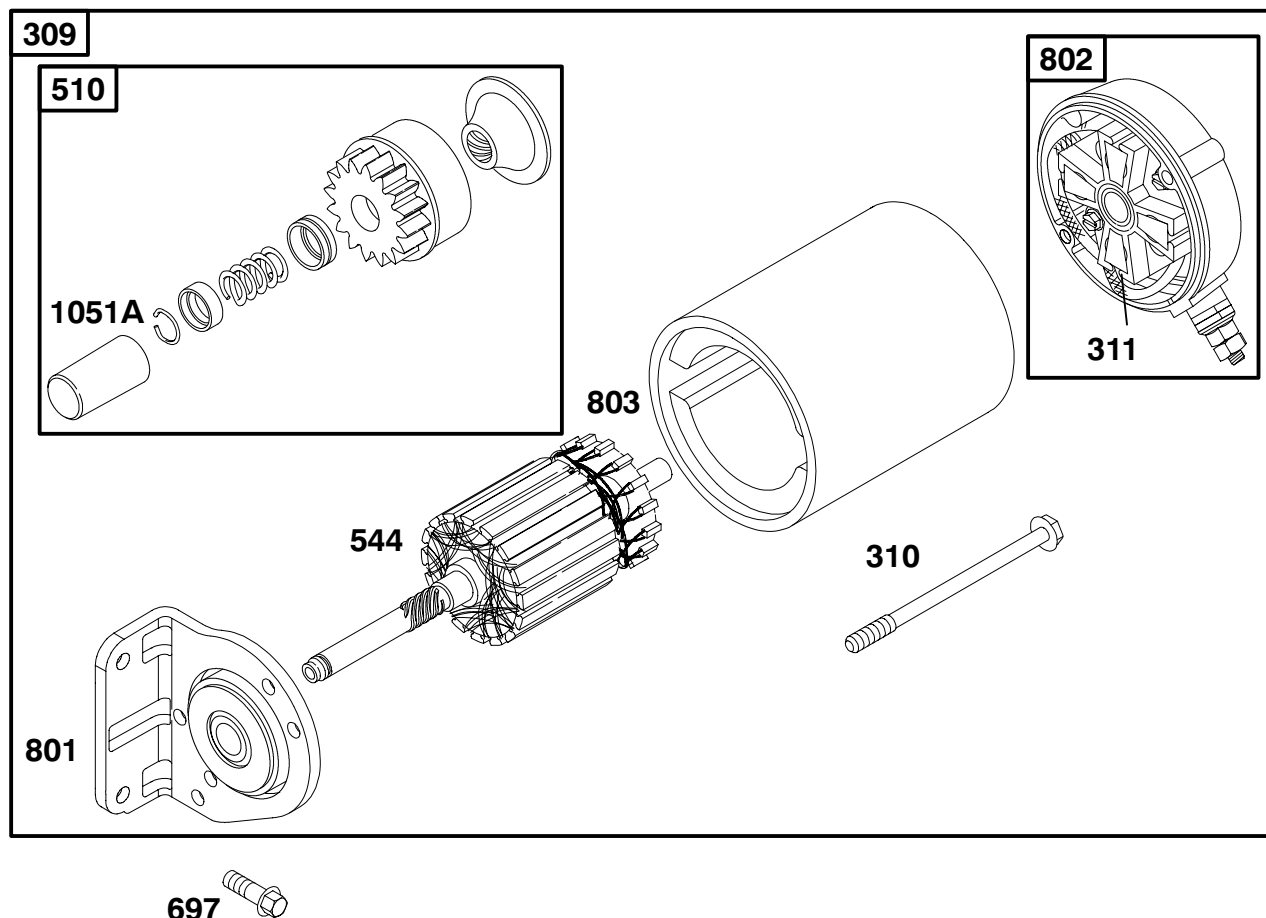


REF. NO.	PART NO.	DESCRIPTION	REF. NO.	PART NO.	DESCRIPTION	REF. NO.	PART NO.	DESCRIPTION
55A	492193	Rewind Starter Housing	60A	490652	Starter Rope Grip	608A	808152	Rewind Starter (Used Before Code Date 93072600).
56A	280918	Starter Pulley	65	692539	Screw (Rewind Starter)	689	262564	Friction Spring
57A	492194	Rewind Starter Spring	455A	805153	Cup-Flywheel	1134	94464	Washer (Pawl Friction Plate)
58A	66894	Starter Rope (Cut to Required Length)	456A	224228	Pawl Friction Plate	1134A	94462	Washer (Pawl Friction Plate)
59A	490653	Grip Insert	459A	492431	Ratchet Pawl			
			597	94463	Screw (Pawl Friction Plate)			

★ Included in Engine Gasket Set-See Ref. No. 358.  
 Included in Valve Gasket Set-See Ref. No. 1095.

◆ Included in Carburetor Overhaul Kit-See Ref. No. 121.  
 ◆ Included in Carburetor Gasket Set-See Ref. No. 977.

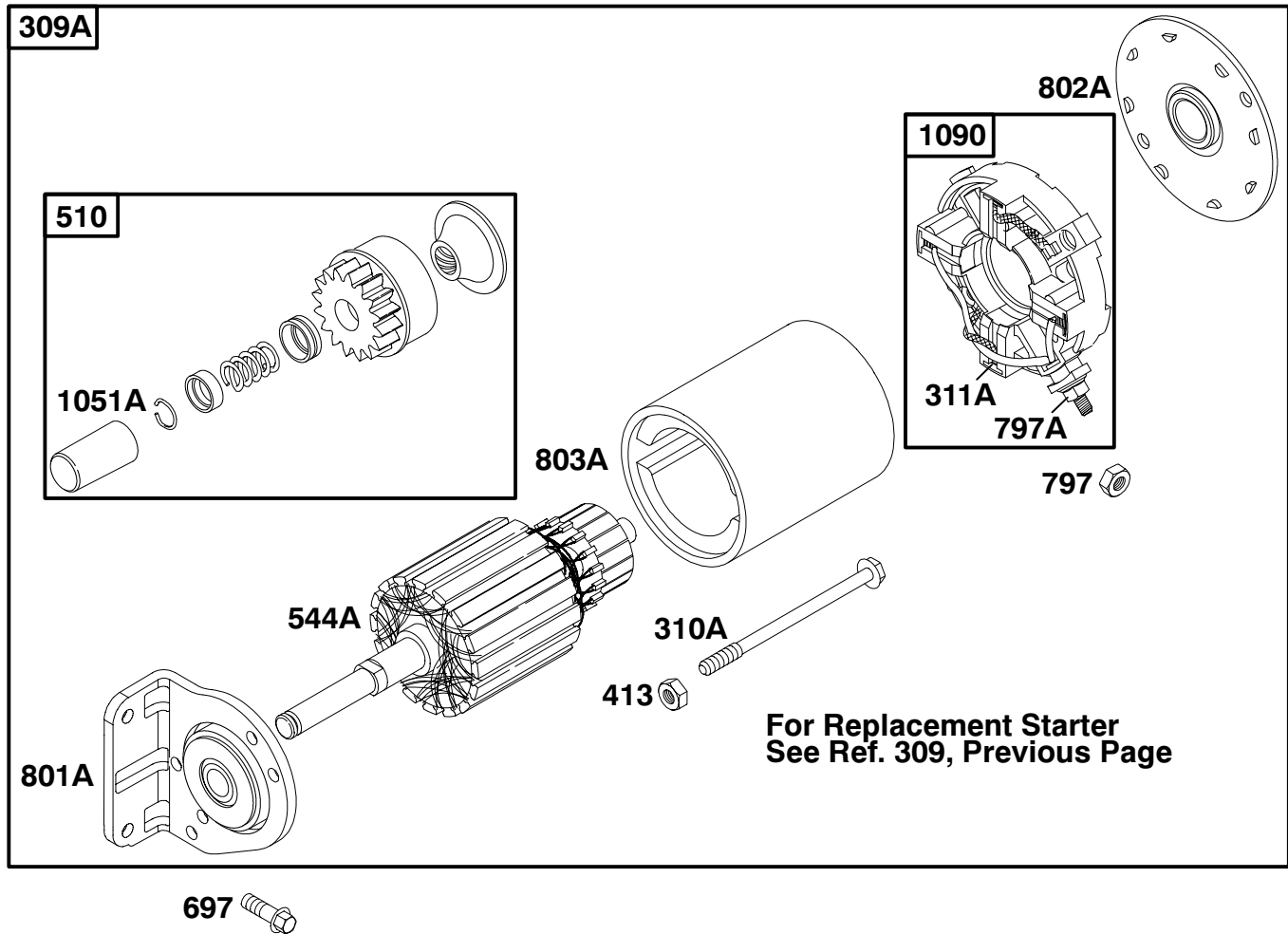
# 303700 to 303799



REF. NO.	PART NO.	DESCRIPTION	REF. NO.	PART NO.	DESCRIPTION	REF. NO.	PART NO.	DESCRIPTION
309	691564	Starter Motor (Services Steel Ring Gear)	311	496887	Brush Set	801	808777	Drive Cap
310	496880	Bolt (Starter Motor)	510	496881	Starter Drive	802	496813	End Cap
			544	690855	Starter Armature	803	690854	Starter Housing
			697	805247	Screw (Drive Cap)	1051A	691124	Retaining Ring (Starter Pinion)

★ Included in Engine Gasket Set-See Ref. No. 358.  
 Included in Valve Gasket Set-See Ref. No. 1095.

● Included in Carburetor Overhaul Kit-See Ref. No. 121.  
 ◆ Included in Carburetor Gasket Set-See Ref. No. 977.

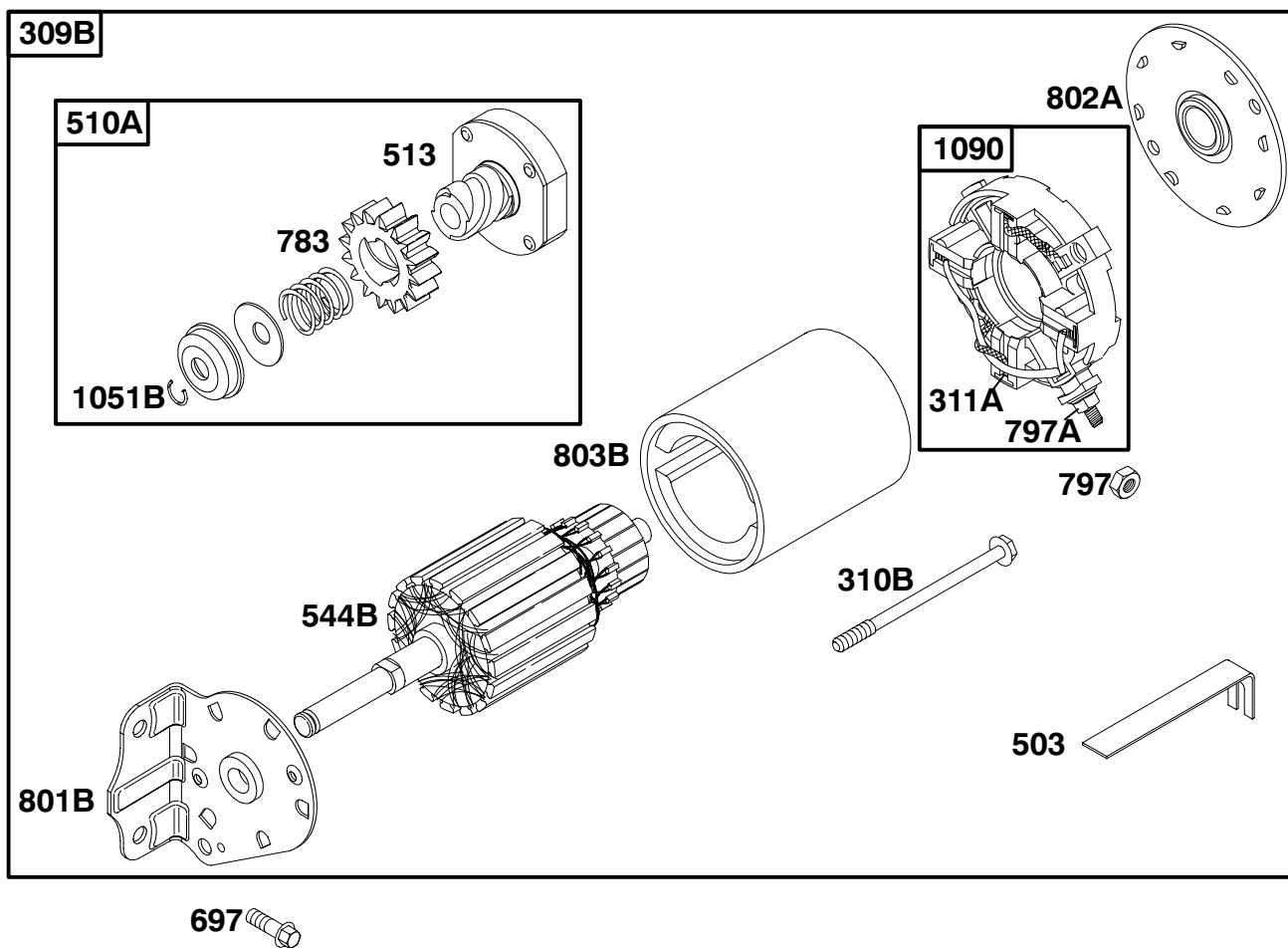


REF. NO.	PART NO.	DESCRIPTION	REF. NO.	PART NO.	DESCRIPTION	REF. NO.	PART NO.	DESCRIPTION
<b>309A</b>		Starter Motor	<b>413</b>	<b>693587</b>	Nut	<b>797A</b>	<b>693167</b>	Nut
		(Services Steel Ring			(Starter Motor)			(Starter Terminal)
		Gear Only.)	<b>510</b>	<b>496881</b>	Starter Drive	<b>801A</b>	<b>808778</b>	Drive Cap
		(For Replacement	<b>544A</b>	<b>693548</b>	Starter Armature	<b>802A</b>	<b>497607</b>	End Cap
	Starter Motor, See Ref	<b>697</b>	<b>805247</b>	Screw	<b>803A</b>	<b>693547</b>	Starter Housing	
	309, Previous Page.)			(Brush Retainer)	<b>1090</b>	<b>497605</b>	Brush Retainer	
<b>310A</b>	<b>690323</b>	Bolt	<b>797</b>	<b>92278</b>	Nut	<b>1051A</b>	<b>691124</b>	Retaining Ring
		(Starter Motor)			(Brush Retainer)			(Starter Pinion)
<b>311A</b>	<b>497608</b>	Brush Set						

★ Included in Engine Gasket Set-See Ref. No. 358.  
 Included in Valve Gasket Set-See Ref. No. 1095.

● Included in Carburetor Overhaul Kit-See Ref. No. 121.  
 ◆ Included in Carburetor Gasket Set-See Ref. No. 977.

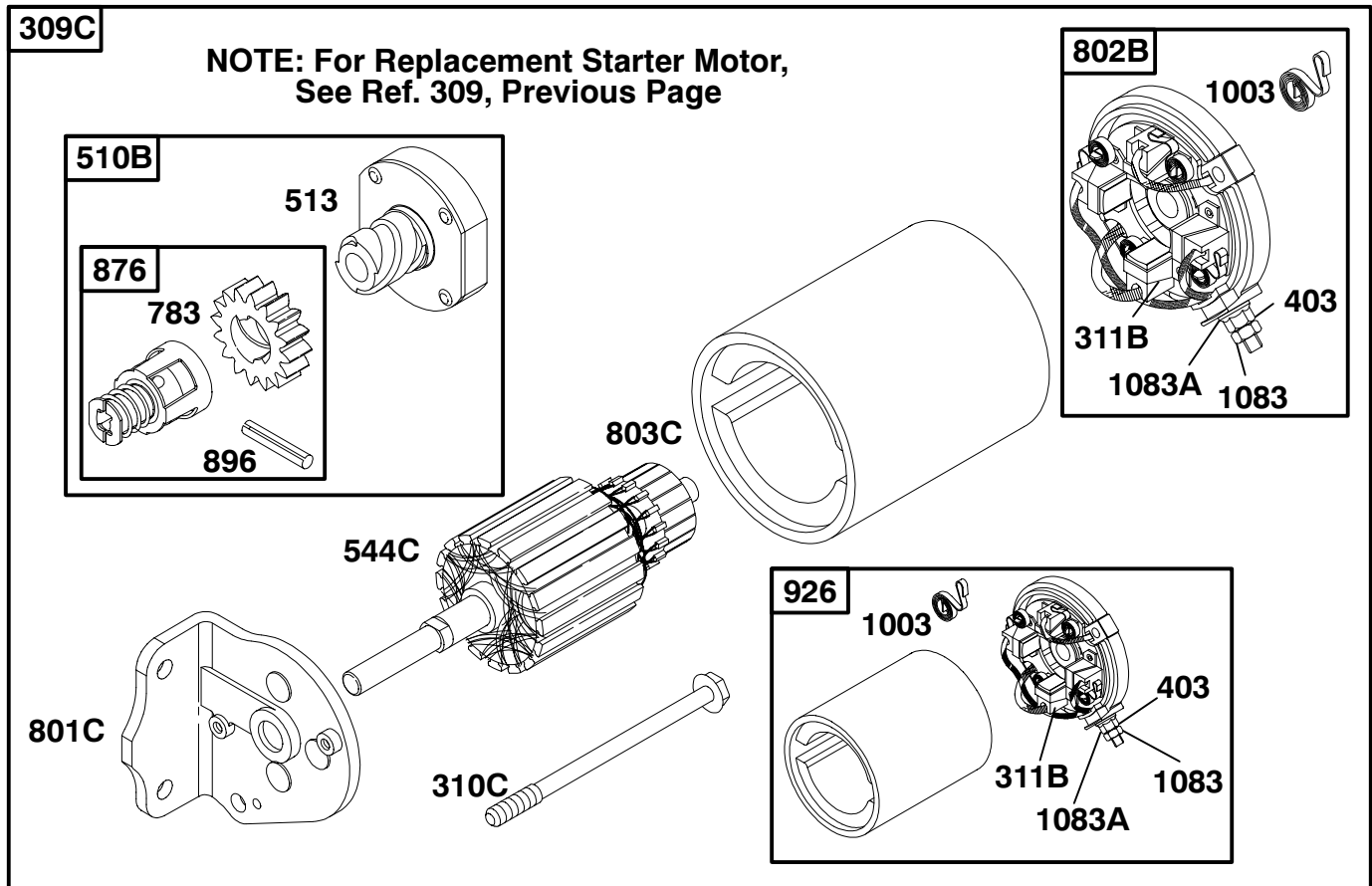
# 303700 to 303799



REF. NO.	PART NO.	DESCRIPTION	REF. NO.	PART NO.	DESCRIPTION	REF. NO.	PART NO.	DESCRIPTION
<b>309B</b>	<b>499521</b>	Starter Motor	<b>697</b>	<b>805247</b>	Screw (Drive Cap)	<b>803B</b>		Starter Housing (Served By <b>499521</b> Starter Motor Only)
<b>310B</b>	<b>691263</b>	Bolt (Starter Motor)	<b>783</b>	<b>693059</b>	Pinion Gear	<b>1051B</b>	<b>263080</b>	Retaining Ring (Starter Pinion)
<b>311A</b>	<b>497608</b>	Brush Set	<b>797</b>	<b>92278</b>	Nut (Brush Retainer)	<b>1090</b>	<b>497605</b>	Brush Retainer
<b>503</b>	<b>691532</b>	Starter Strap	<b>797A</b>	<b>693167</b>	Nut (Brush Retainer)			
<b>510A</b>	<b>497606</b>	Starter Drive	<b>801B</b>	<b>691429</b>	Drive Cap			
<b>513</b>	<b>398003</b>	Drive Clutch	<b>802A</b>	<b>497607</b>	End Cap			
<b>544B</b>		Starter Armature (Served By <b>499521</b> Starter Motor Only)						

★ Included in Engine Gasket Set—See Ref. No. 358.  
Included in Valve Gasket Set—See Ref. No. 1095.

● Included in Carburetor Overhaul Kit—See Ref. No. 121.  
◆ Included in Carburetor Gasket Set—See Ref. No. 977.

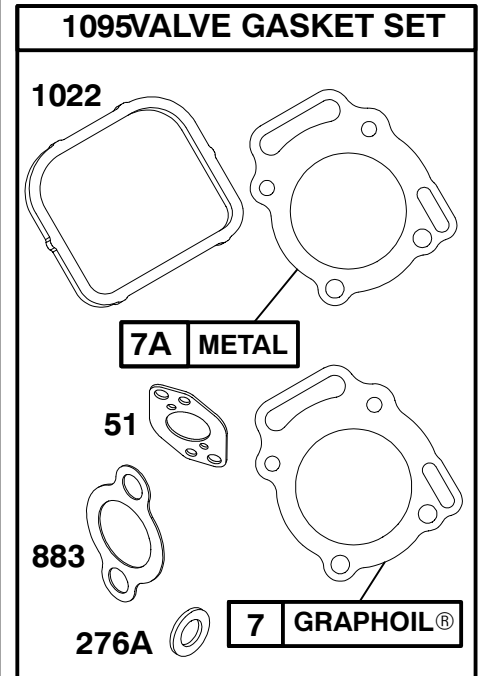
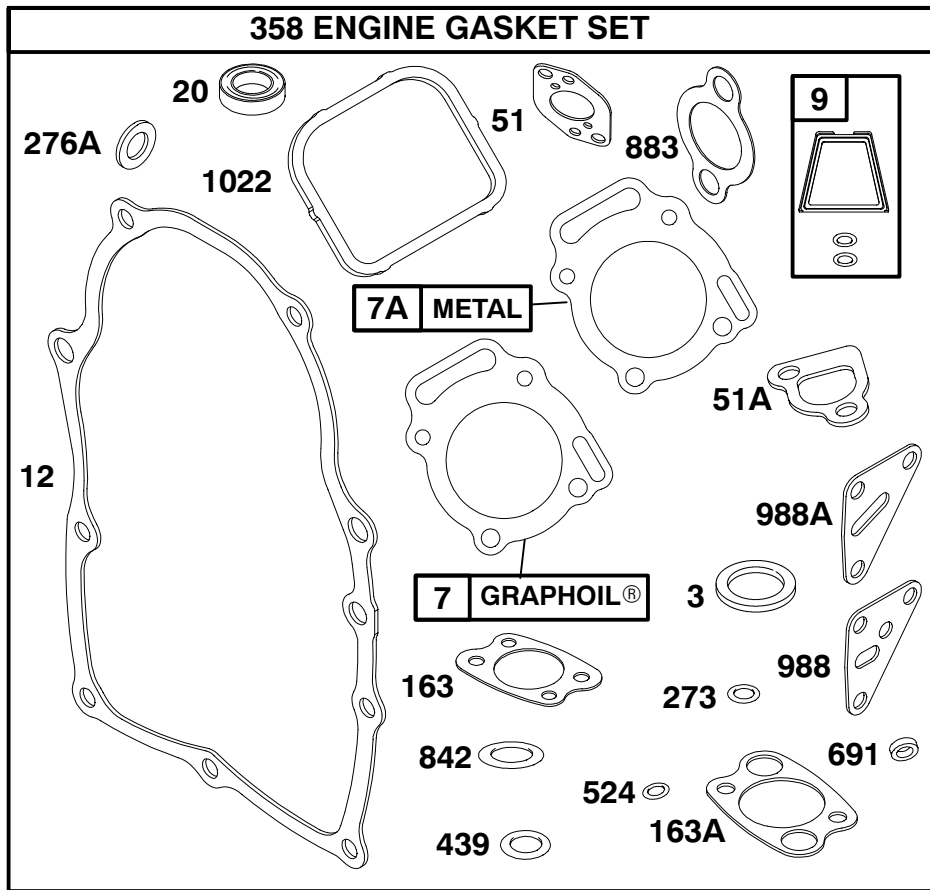


REF. NO.	PART NO.	DESCRIPTION	REF. NO.	PART NO.	DESCRIPTION	REF. NO.	PART NO.	DESCRIPTION
309C		Starter Motor (For Replacement Starter Motor, See Ref 309B, Previous Page)	783	693059	Pinion Gear	876	495877	Gear Kit
310C	692329	Bolt (Starter Motor)	801C	394856	Drive Cap	896	94288	Drive Retainer Pin
311B	490311	Brush Set (For 4 9/16" Housing Length)	802B	494988	End Cap (For 4 3/8" Housing Length)	926	498233	Housing/Cap Kit (For 4 9/16" Housing Length)
403	690280	Washer (End Cap)	803C	494205	Starter Housing (For 4 3/8" Housing Length)	1003	490316	Brush Spring
510B	495878	Starter Drive			----- Note ----- 398892 Starter Housing (For 4 9/16" Housing Length)	1083	93715	Nut (End Cap)
513	398003	Drive Clutch				1083A	94010	Nut (End Cap)
544C	490309	Starter Armature						
697	805247	Screw (Drive Cap)						

★ Included in Engine Gasket Set-See Ref. No. 358.  
Included in Valve Gasket Set-See Ref. No. 1095.

● Included in Carburetor Overhaul Kit-See Ref. No. 121.  
◆ Included in Carburetor Gasket Set-See Ref. No. 977.

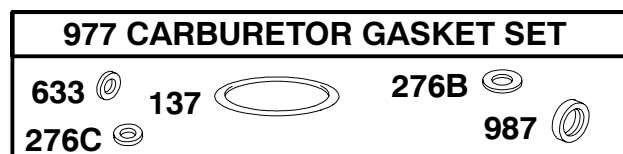
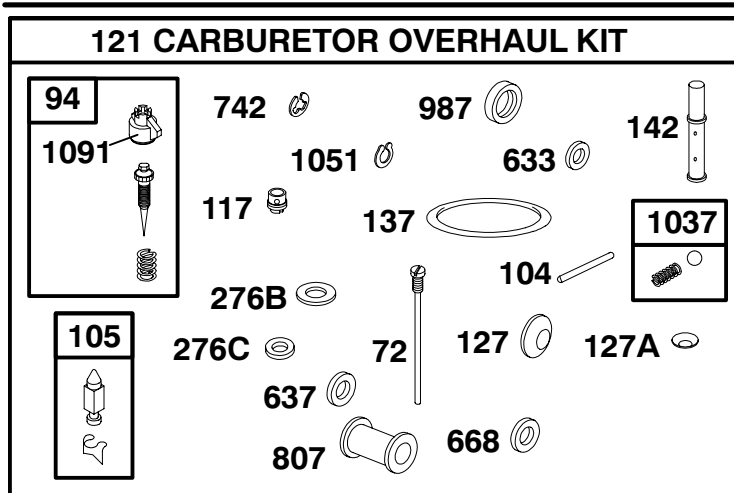
# 303700 to 303799



REF. NO.	PART NO.	DESCRIPTION	REF. NO.	PART NO.	DESCRIPTION	REF. NO.	PART NO.	DESCRIPTION
3	★805101	Oil Seal (Magneto Side)	51	★805700	Intake Gasket (Manifold/Carburetor Spacer)	524	★805011	O-Ring Seal (Dipstick Tube)
7	★806085	Cylinder Head Gasket (Used After Code Date 96033100)	51A	★805023	Intake Gasket (Manifold/Heads)	691	★690680	Governor Shaft Seal
7A	★807986	Cylinder Head Gasket (Used Before Code Date 96040100).	163	★805655	Air Cleaner Gasket	842	★270920	O-Ring Seal (Dipstick Cap)
9	★807688	Breather Gasket	163A	★805003	Air Cleaner Gasket	883	★805024	Exhaust Gasket
12	★806190	Crankcase Gasket (Used After Code Date 97043000).	273	★690681	O-Ring Seal (Oil Pump)	988	★805250	Oil Adapter Gasket
		----- Note -----	276A	★805420	Sealing Washer	988A	★690687	Oil Adapter Gasket
		★805112 Crankcase Gasket (Used Before Code Date 97050100).	358	808390	Engine Gasket Set	1022	★806039	Rocker Cover Gasket
20	★805049	Oil Seal (PTO Side)	439	★692154	O-Ring Seal (Crankcase Cover/Sump) (Used After Code Date 97043000).	1095	808392	Valve Gasket Set (Used After Code Date 96033100)
					----- Note -----			----- Note -----
					★805198 O-Ring Seal (Crankcase Cover/Sump) (Used Before Code Date 97050100).			807990 Valve Gasket Set (Used Before Code Date 96040100).

★ Included in Engine Gasket Set—See Ref. No. 358.  
 Included in Valve Gasket Set—See Ref. No. 1095.

● Included in Carburetor Overhaul Kit—See Ref. No. 121.  
 ◆ Included in Carburetor Gasket Set—See Ref. No. 977.



REF. NO.	PART NO.	DESCRIPTION	REF. NO.	PART NO.	DESCRIPTION	REF. NO.	PART NO.	DESCRIPTION
72	●806488	Jet-Tube (Used After Code Date 98062600). ----- <b>Note</b> ----- ●690755 Jet-Tube (Used After Code Date 92040600 and Before Code Date 98062700). ●806480 Jet-Tube (Used Before Code Date 92040700).	127	●690730	Plug-Welch	276C	◆●806477	Sealing Washer (Carburetor Plug)
94	●808258	Idle Kit-Mixture (Used After Code Date 950902700). ----- <b>Note</b> ----- ●807707 Idle Kit-Mixture (Used Before Code Date 95092800).	127A	●690731	Plug-Welch	633	◆●690738	Choke Shaft Seal
104	●690739	Float Hinge Pin	137	◆●806481	Float Bowl Gasket	637	●690735	Washer
105	●807706	Float Needle Valve	142	●806635	Carburetor Nozzle (Used After Code Date 98062600). ----- <b>Note</b> ----- ●807960 Carburetor Nozzle (Includes Standard Main Jet) (Used After Code Date 92040600 and Before Code Date 98062700). ●807712 Carburetor Nozzle (Includes Standard Main Jet) (Used Before Code Date 92040700).	668	●690737	Spacer
117	●806487	Main Jet (Standard) (Used After Code Date 98062600).	276B	◆●806476	Sealing Washer (Float Bowl) (Used After Code Date 98062600). ----- <b>Note</b> ----- ◆●692343 Sealing Washer (Float Bowl) (Used Before Code Date 98062700).	742	●805578	E-Ring Retainer
121	808807	Carburetor Overhaul Kit (Used After Code Date 98062600). ----- <b>Note</b> ----- 808324 Carburetor Overhaul Kit (Used After Code Date 92040600 and Before Code Date 98062700). 807708 Carburetor Overhaul Kit (Used Before Code Date 92040700).				807	●690733	Throttle Spacer
						977	808325	Gasket Set-Carburetor (Used After Code Date 92040600). ----- <b>Note</b> ----- 807716 Gasket Set-Carburetor (Used Before Code Date 92040700).
						987	◆●691548	Throttle Shaft Seal (Used After Code Date 92040600). ----- <b>Note</b> ----- ◆●690734 Throttle Shaft Seal (Used Before Code Date 92040700).
						1037	●807717	Choke Locator Ball
						1051	●690736	Retaining Ring (Throttle Shaft)
						1091	●691515	Limiting Cap

★ Included in Engine Gasket Set-See Ref. No. 358.  
Included in Valve Gasket Set-See Ref. No. 1095.

● Included in Carburetor Overhaul Kit-See Ref. No. 121.  
◆ Included in Carburetor Gasket Set-See Ref. No. 977.