

303400 to 303499

Illustrated Parts List

Model Series

303400 to 303499

TYPE NUMBERS

0021 through 0037,
0040 through 0049,
0051 through 0070,
0074 through 0093,
0100 through 0145,
0308 through 0329,
0339 through 0358,
0360 through 0382,
0385 through 0405,
0410 through 0420,
0422 through 0439,
0440 through 0472,
0474 through 0498,
0501 through 0518,

TYPE NUMBERS

1008 through 1036,
1040 through 1079,
1086 through 1114,
1116 through 1134,
1138 through 1159,
1162 through 1172,
1174 through 1198,
1200 through 1220,
1222 through 1243,
1246 through 1258,
1261 through 1303,
1323 through 1379,
1403 through 1413.

TO FIND

**THE CORRECT NUMBER OF THE PART YOU NEED:
FOLLOW THE INSTRUCTIONS BELOW**

- A. Refer to Engine Model, Type and Code Number that is stamped on the blower housing of engine. Engine type numbers such as 0123 01 are listed only as 0123 in most instances. The two digits (01 or 02, etc.) to the right of the space may be required for more accurate parts identification in some instances. Select the Illustrated Parts List covering the correct Model Series and Type Number.
- B. Refer to the Illustrations and compare the original part with Illustration. The number next to the illustration is the Reference Number. Assemblies include all parts shown in frames. All parts shown in assembly frames having individual reference numbers can be purchased separately.
- C. After the Reference Number has been identified, refer to the Numerical text, where Reference and Primary Part Number are listed. **THE PRIMARY PART IS USED ON ALL TYPE NUMBERS EXCEPT THOSE TYPE NUMBERS UNDER "NOTE."**
- D. If a "Note" appears below the Primary Part Number, it means that this part differs from the Primary Part for certain types. If your Type number is listed under "Note," order the part referred to at the "Note."
- E. If your Engine Type Number does not appear after any part number listed under "Note," use the Primary Part Number.
- F. For Engine Type Numbers not covered by this book, check other Parts Lists having the same engine model or contact your source of supply.

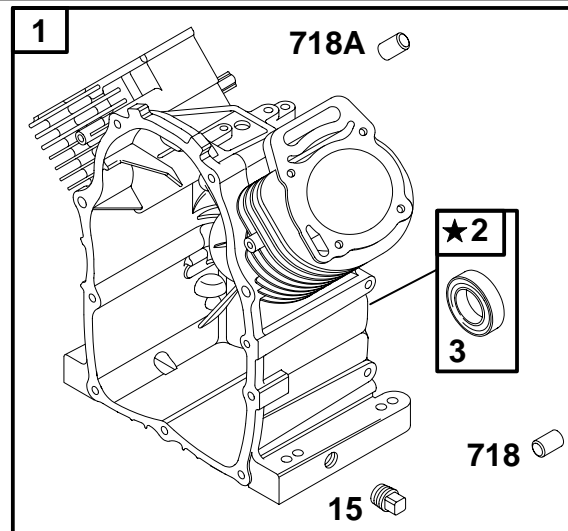
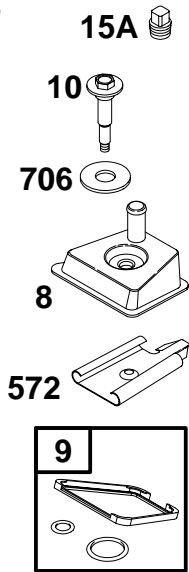
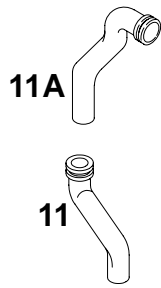
PRINTED IN U.S.A.



COPYRIGHT by BRIGGS & STRATTON CORPORATION
All rights reserved. No part of this material may be reproduced or transmitted, in any form or by any means, electronic or mechanical, including photocopying, recording or by any information storage and retrieval system, without permission in writing from Briggs & Stratton Corporation.

303400 to 303499

★ **REQUIRES SPECIAL TOOLS TO INSTALL. SEE REPAIR INSTRUCTION MANUAL.**

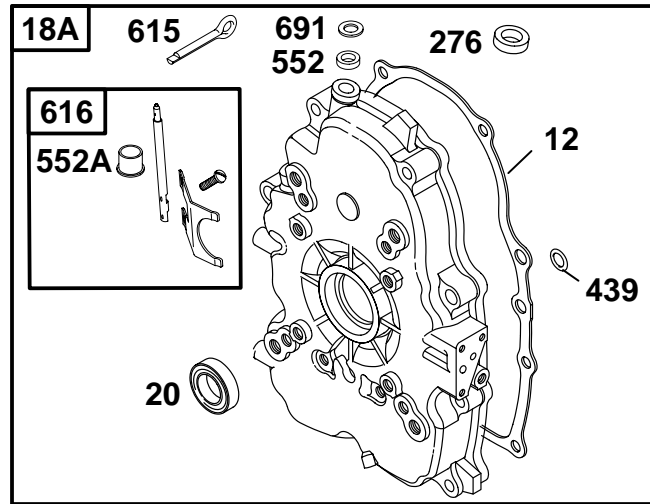
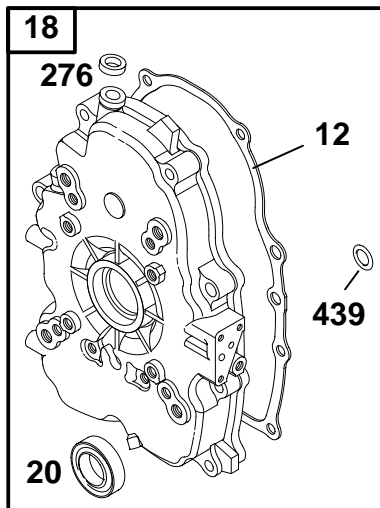


1019 LABEL KIT **1058 OWNER'S MANUAL**

REF. NO.	PART NO.	DESCRIPTION	REF. NO.	PART NO.	DESCRIPTION	REF. NO.	PART NO.	DESCRIPTION
1	692178	Cylinder Assembly (Used After Code Date 97043000). ———— Note ———— 807521 Cylinder Assembly (Used Before Code Date 97050100).	3	★805101	Seal—Oil (Magneto Side)	11A	691556	Tube—Breather
2	808534	Kit—Bushing/Seal (Magneto Side) (Used After Code Date 97043000). ———— Note ———— 807687 Kit—Bushing/Seal (Magneto Side) (Used Before Code Date 97050100).	8	808984	Breather Assembly	15	690946	Plug—Oil Drain
			9	★807688	Gasket—Breather	15A	690283	Plug—Oil Drain
			10	690751	Screw (Breather Assembly) (Used After Code Date 90111400). ———— Note ———— 805194 Screw (Breather Assembly) (Used Before Code Date 90111500).	572	690686	Baffle—Breather
			11	806083	Tube—Breather (Used After Code Date 97043000). ———— Note ———— 805362 Tube—Breather (Used Before Code Date 97050100).	706	805484	Washer (Breather Assembly) (Used Before Code Date 90111500).
						718	690684	Pin—Locating
						718A	805102	Pin—Locating (Used Before Code Date 90091100).
						1019	808036	Kit—Label
						1058	274790	Owner's Manual (Emission Engines) ———— Note ———— 272105 Owner's Manual (Non Emission Engines)

★ Included in Engine Gasket Set—See Ref. 358.
● Included in Carburetor Overhaul Kit—See Ref. 121.

△ Included in Valve Gasket Set—See Ref. 1095.

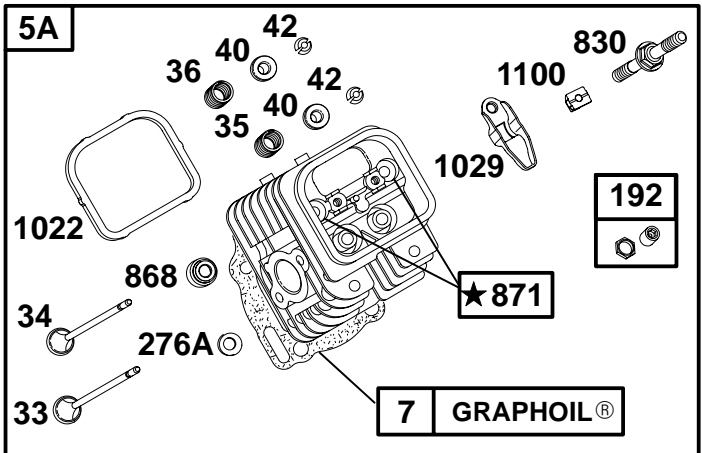
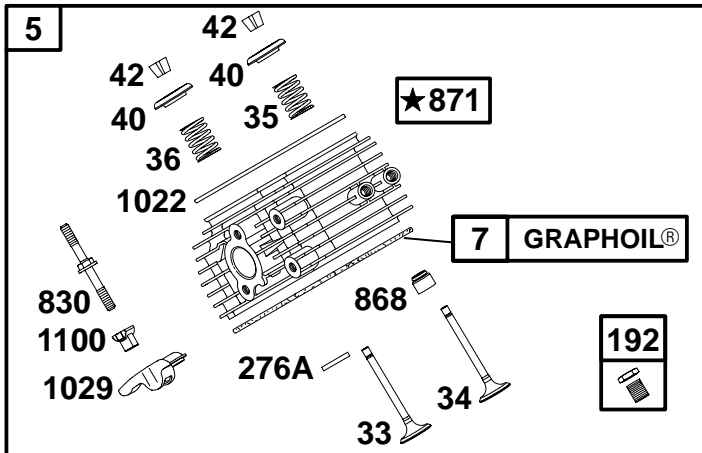
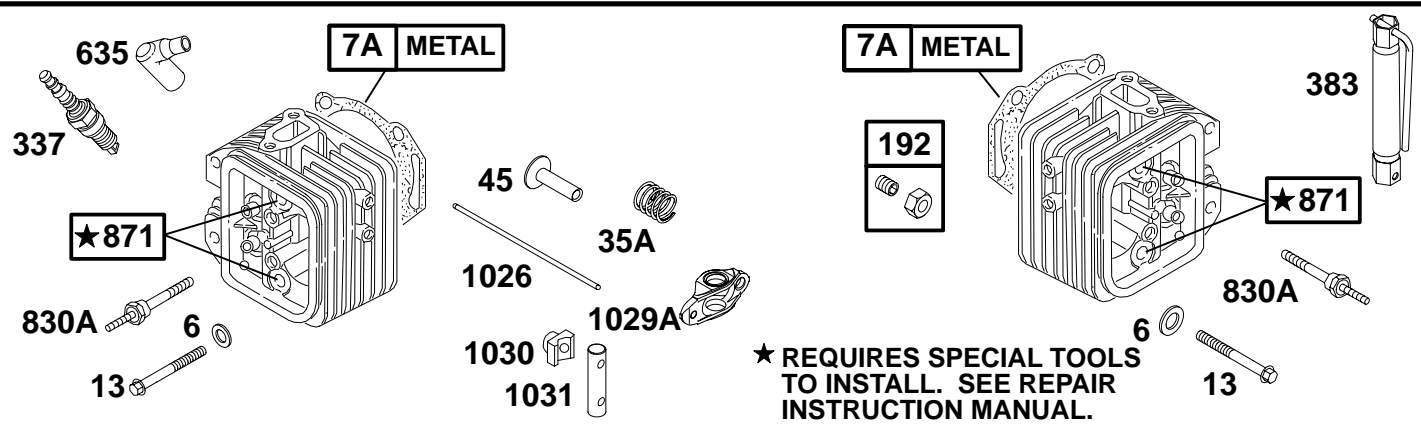


REF. NO.	PART NO.	DESCRIPTION	REF. NO.	PART NO.	DESCRIPTION	REF. NO.	PART NO.	DESCRIPTION
12	806190	Gasket-Crankcase (Used After Code Date 97043000). ———— Note ———— ★805112 Gasket-Crankcase (Used Before Code Date 97050100).	20	★805049	Seal-Oil (PTO Side)	552	690701	Bushing-Governor Crank (Output End)
18	808502	Cover-Crankcase ———— Note ———— 807884 Cover-Crankcase Used on Type No(s). 0133, 0412, 1112, 1155, 1174. 808512 Cover-Crankcase Used on Type No(s). 1238, 1256. 808508 Cover-Crankcase Used on Type No(s). 1104, 1105, 1108, 1191, 1192, 1252, 1283, 1381, 1409, 1410.	22	692540	Screw (Crankcase Cover)	552A	806686	Bushing-Governor Crank (Flanged)
18A	808847	Cover-Crankcase	276	690704	Washer-Sealing (Governor Crank)	552B	690702	Bushing-Governor Crank
			439	692154	Seal-O Ring (Crankcase Cover/ Sump) (Used After Code Date 97043000). ———— Note ———— ★805198 Seal-O Ring (Crankcase Cover/ Sump) (Used Before Code Date 97050100)	615	691550	Retainer-Governor Shaft
						616	806685	Crank-Governor (Used After Code Date 99072000).
						616A	690899	Crank-Governor (Used Before Code Date 99072100).
						691	★690680	Seal-Governor Shaft

★ Included in Engine Gasket Set-See Ref. 358.
● Included in Carburetor Overhaul Kit-See Ref. 121.

△ Included in Valve Gasket Set-See Ref. 1095.

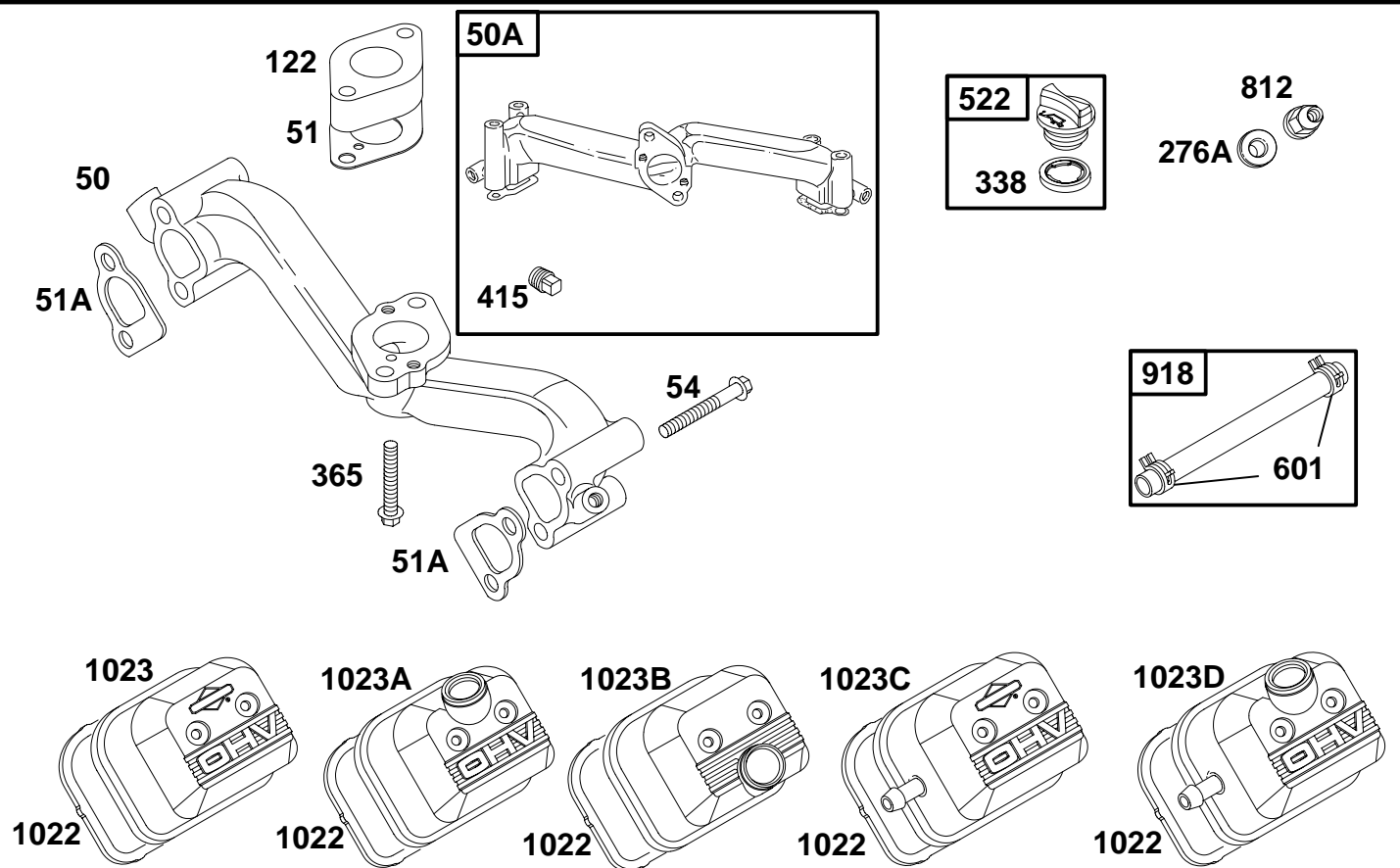
303400 to 303499



REF. NO.	PART NO.	DESCRIPTION	REF. NO.	PART NO.	DESCRIPTION	REF. NO.	PART NO.	DESCRIPTION
5	808381	Head-Cylinder (Cylinder 1)	35A	808159	Spring-Valve (Intake) (Used Before Code Date 94011800).	830	691544	Stud-Rocker Arm (Used After Code Date 96033100).
5A	808382	Head-Cylinder (Cylinder 2)	36	805937	Spring-Valve (Exhaust)	830A	691497	Stud-Rocker Arm (Used Before Code Date 96040100).
6	Δ805193	Washer (Cylinder Head) (Used Before Code Date 94050100).	40	805092	Retainer-Valve	868	805094	Seal-Valve
7	Δ★806085	Gasket-Cylinder Head (Graphoil) (Used After Code Date 96033100).	42	807683	Keeper-Valve	871	805084	Bushing-Valve Guide
7A	Δ★807986	Gasket-Cylinder Head (Metal) (Used Before Code Date 96040100).	45	262679	Tappet-Valve	1022	806039	Gasket-Rocker Cover
13	805097	Screw (Cylinder Head)	192	807623	Adjuster-Rocker Arm	1026	805352	Push Rod (Steel)
33	807681	Valve-Exhaust	276A	Δ★805420	Washer-Sealing (Cylinder Head)	————— Note —————		
34	807680	Valve-Intake	337	491055	Sparkplug	805617	805617	Rod-Push (Aluminum Exhaust)
35	805937	Spring-Valve (Intake) (Used After Code Date 94011700).	————— Note —————			1029	691543	Arm-Rocker
					496018	496018	496018	Sparkplug Used on Type No(s). 0411, 0451, 0452, 0456, 0479, 0480, 0482, 0483, 1151, 1152, 1179, 1180, 1182, 1183, 1188, 1200, 1236, 1282.
			383	19374	Wrench-Sparkplug	1029A	808096	Arm-Rocker (Used After Code Date 94011700).
			635	805529	Boot-Sparkplug	————— Note —————		
						808159	808159	Arm-Rocker (Used Before Code Date 94011800).
						1030	691496	Support-Rocker Arm
						1031	690693	Shaft-Rocker Arm
						1100	690973	Pivot-Rocker Arm

★ Included in Engine Gasket Set—See Ref. 358.
 ● Included in Carburetor Overhaul Kit—See Ref. 121.

Δ Included in Valve Gasket Set—See Ref. 1095.

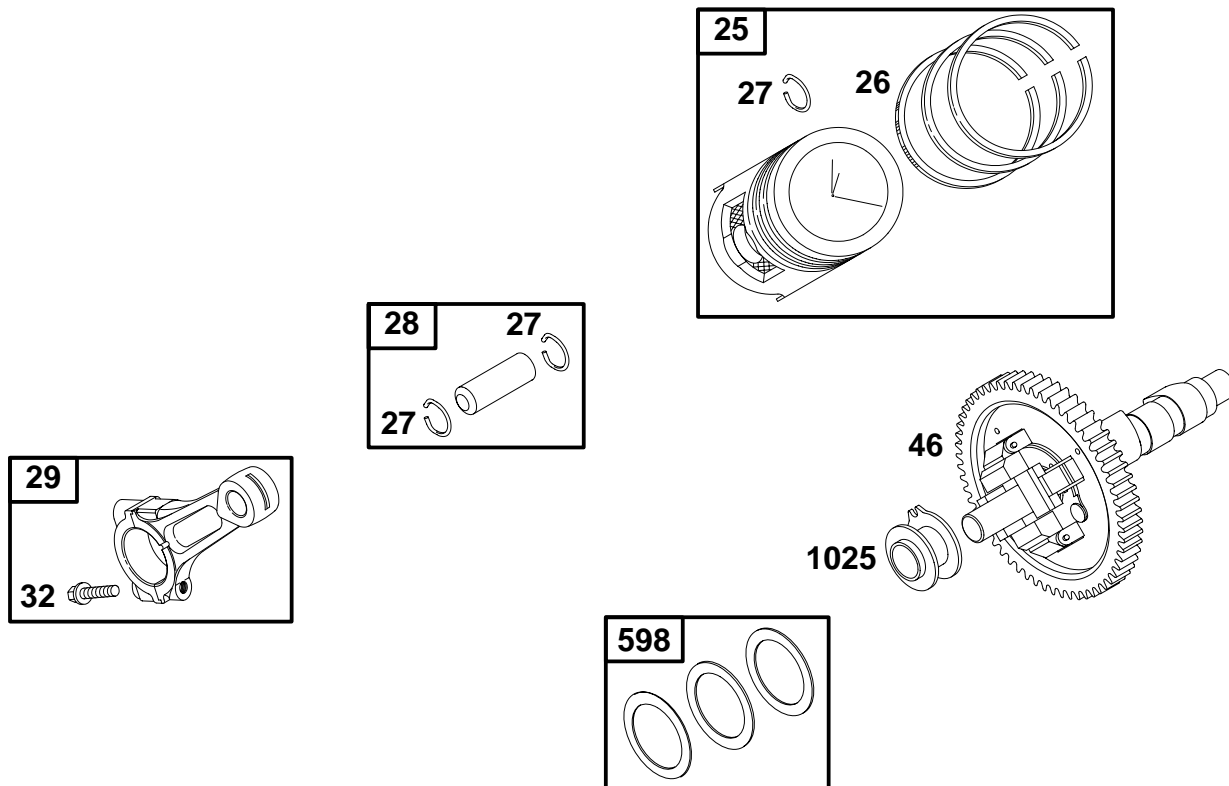


REF. NO.	PART NO.	DESCRIPTION	REF. NO.	PART NO.	DESCRIPTION	REF. NO.	PART NO.	DESCRIPTION
50	807802	Manifold-Intake (Used After Code Date 92043000).	54	690676	Screw (Intake Manifold)	918	393815	Hose-Vacuum (Rocker Cover To Impulse Pump)
		Note	122	690691	Spacer-Carburetor	1022	★Δ806039	Gasket-Rocker Cover
		805409 Manifold-Intake (Used Before Code Date 92050100).	276A	★Δ805420	Washer-Sealing	1023	691494	Cover-Rocker Arm
50A	692124	Manifold-Intake Used on Type No(s). 1279, 1409, 1410.	338	★Δ691312	Gasket-Dipstick	1023A	690758	Cover-Rocker Arm
51	★805700	Gasket-Intake (Carburetor to Manifold)	365	690711	Screw (Carburetor)	1023B	691531	Cover-Rocker Arm
51A	★Δ805023	Gasket-Intake (Manifold to Head)	415	690283	Plug (Intake Manifold)	1023C	691558	Cover-Rocker Arm (Used on Cylinder 1 Fuel Pump Applications)
			522	491832	Plug-Dipstick/Fill	1023D	690910	Cover-Rocker Arm (Used on Cylinder 1 Fuel Pump Applications)
			601	93053	Clamp-Hose			
			812	Δ805019	Nut (Rocker Arm Cover)			

★ Included in Engine Gasket Set-See Ref. 358.
● Included in Carburetor Overhaul Kit-See Ref. 121.

Δ Included in Valve Gasket Set-See Ref. 1095.

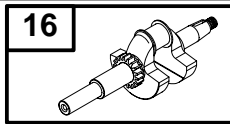
303400 to 303499



REF. NO.	PART NO.	DESCRIPTION	REF. NO.	PART NO.	DESCRIPTION	REF. NO.	PART NO.	DESCRIPTION
25	807619	Piston Assembly (Standard) Note 807807 Piston Assembly (.010" O.S.) 807809 Piston Assembly (.020" O.S.) 807811 Piston Assembly (.030" O.S.)	27	690683	Lock-Piston Pin	46	691557	Camshaft Note 692157 Camshaft Used on Type No(s). 0404, 0405, 0491, 0492, 1104, 1105, 1108, 1191, 1192, 1252, 1283, 1409, 1410.
			28	807621	Pin-Piston			
			29	807900	Rod-Connecting (Standard) Note 807803 Rod-Connecting (.020" Undersize)	598	807625	Shim-End Play
			32	690698	Screw (Connecting Rod)	1025	690689	Spool-Governor
26	807620	Ring Set (Standard) Note 807808 Ring Set (.010" O.S.) 807810 Ring Set (.020" O.S.) 807812 Ring Set (.030" O.S.)						

★ Included in Engine Gasket Set-See Ref. 358.
 ● Included in Carburetor Overhaul Kit-See Ref. 121.

△ Included in Valve Gasket Set-See Ref. 1095.



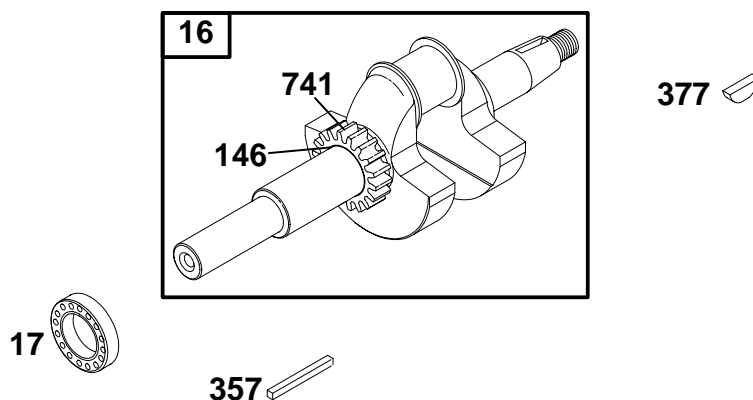
REF. NO.	PART NO.	DESCRIPTION	REF. NO.	PART NO.	DESCRIPTION	REF. NO.	PART NO.	DESCRIPTION		
16	692161	Crankshaft (Used After Code Date 97043000). 807589 Crankshaft (Used Before Code Date 97050100). Used on Type No(s). 1220. 692159 Crankshaft (Used After Code Date 97043000). Used on Type No(s). 1220. 807586 Crankshaft (Used Before Code Date 97050100). Used on Type No(s). 0440, 1128, 1142, 1220. 692162 Crankshaft (Used After Code Date 97043000). Used on Type No(s). 1077, 1171, 1256, 1377. 807590 Crankshaft (Used Before Code Date 97050100). Used on Type No(s). 0021, 0041, 0044, 0049, 0051, 0077, 0309, 0351, 0377, 0474, 1009, 1051, 1077, 1171, 1174, 1256. 692163 Crankshaft (Used After Code Date 97043000). Used on Type No(s). 1019, 1033, 1042, 1049, 1074, 1078, 1105, 1108, 1116, 1167, 1168, 1176, 1177, 1189, 1194, 1198, 1231, 1251, 1252, 1283, 1378, 1403, 1409. 807745 Crankshaft (Used Before Code Date 97050100). Used on Type No(s). 0022, 0027, 0028, 0035, 0037, 0042,			0044, 0052, 0054, 0060, 0061, 0074, 0078, 0084, 0085, 0092, 0123, 0129, 0130, 0136, 0312, 0315, 0317, 0319, 0321, 0325, 0327, 0339, 0342, 0344, 0350, 0352, 0354, 0360, 0362, 0365, 0366, 0373, 0374, 0378, 0382, 0385, 0391, 0392, 0394, 0396, 0397, 0399, 0404, 0405, 0415, 0416, 0417, 0419, 0420, 0425, 0427, 0428, 0430, 0435, 0450, 0453, 0458, 0464, 0475, 0476, 0477, 0481, 0488, 0489, 0494, 0495, 0496, 0498, 0501, 0502, 0505, 0518, 1012, 1013, 1015, 1017, 1019, 1021, 1025, 1031, 1033, 1042, 1044, 1049, 1054, 1060, 1062, 1066, 1073, 1074, 1078, 1087, 1094, 1104, 1105, 1108, 1111, 1114, 1116, 1118, 1119, 1120, 1127, 1129, 1131, 1133, 1141, 1158, 1159, 1164, 1167, 1168, 1175, 1176, 1177, 1181, 1189, 1194, 1195, 1196, 1198, 1205, 1208, 1218, 1231, 1250, 1251, 1252, 1257, 1262. 692165 Crankshaft (Used After Code Date 97043000). Used on Type No(s). 1232, 1293, 1412, 1413. 807806 Crankshaft (Used Before Code Date 97050100).					Used on Type No(s). 1232. 692166 Crankshaft (Used After Code Date 97043000). Used on Type No(s). 1162. 807849 Crankshaft (Used Before Code Date 97050100). Used on Type No(s). 0133, 0412, 0462, 1112, 1162. 692167 Crankshaft (Used After Code Date 97043000). Used on Type No(s). 1138. 807851 Crankshaft (Used Before Code Date 97050100). Used on Type No(s). 0138, 0139, 0438, 0439, 0491, 0492, 1138, 1149, 1191, 1192, 1217. 808000 Crankshaft Used on Type No(s). 0446. 692168 Crankshaft (Used After Code Date 97043000). Used on Type No(s). 1180. 808056 Crankshaft (Used Before Code Date 97050100). Used on Type No(s). 0456, 0480, 1180. 692169 Crankshaft (Used After Code Date 97043000). Used on Type No(s). 1238. 808296 Crankshaft (Used Before Code Date 97050100). Used on Type No(s). 1238. 808975 Crankshaft Used on Type No(s). 1410.

★ Included in Engine Gasket Set—See Ref. 358.

● Included in Carburetor Overhaul Kit—See Ref. 121.

△ Included in Valve Gasket Set—See Ref. 1095.

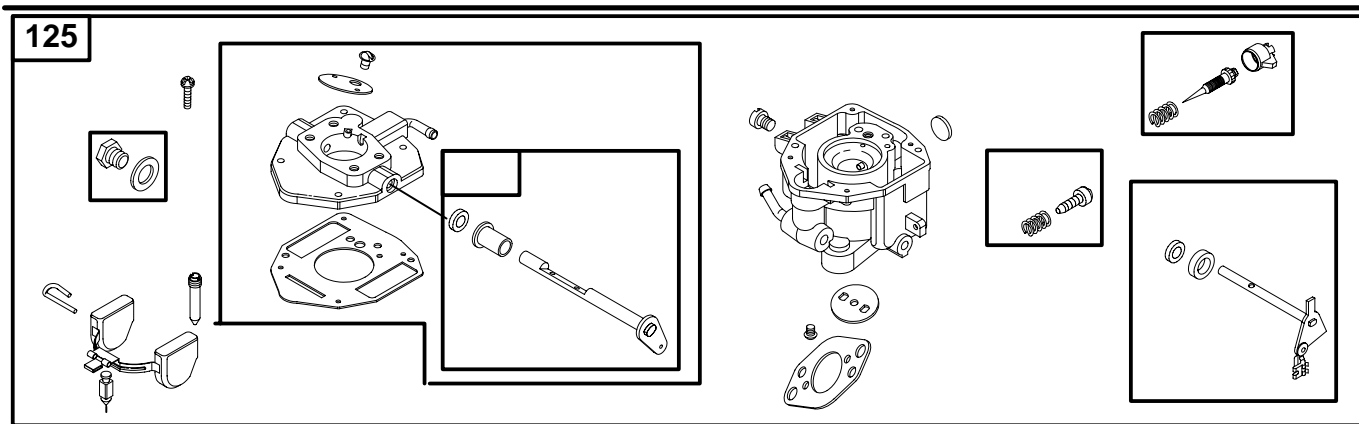
303400 to 303499



REF. NO.	PART NO.	DESCRIPTION	REF. NO.	PART NO.	DESCRIPTION	REF. NO.	PART NO.	DESCRIPTION
16		Crankshaft See Previous Page	17	690752	Bearing-Ball ————— Note ————— 691541 Bearing-Ball Used on Type No(s). 1238, 1256.	377	806066	Key-Woodruff
			146	94196	Key-Timing	741	691530	Gear-Timing
			357	91540	Key-Drive Pulley			

★ Included in Engine Gasket Set—See Ref. 358.
● Included in Carburetor Overhaul Kit—See Ref. 121.

△ Included in Valve Gasket Set—See Ref. 1095.



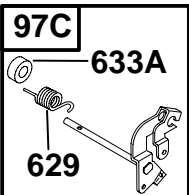
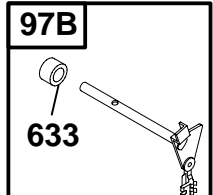
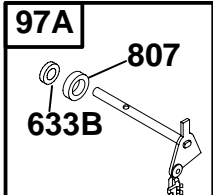
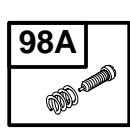
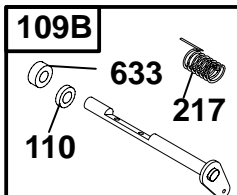
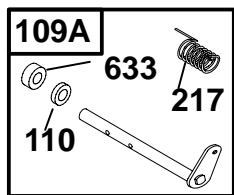
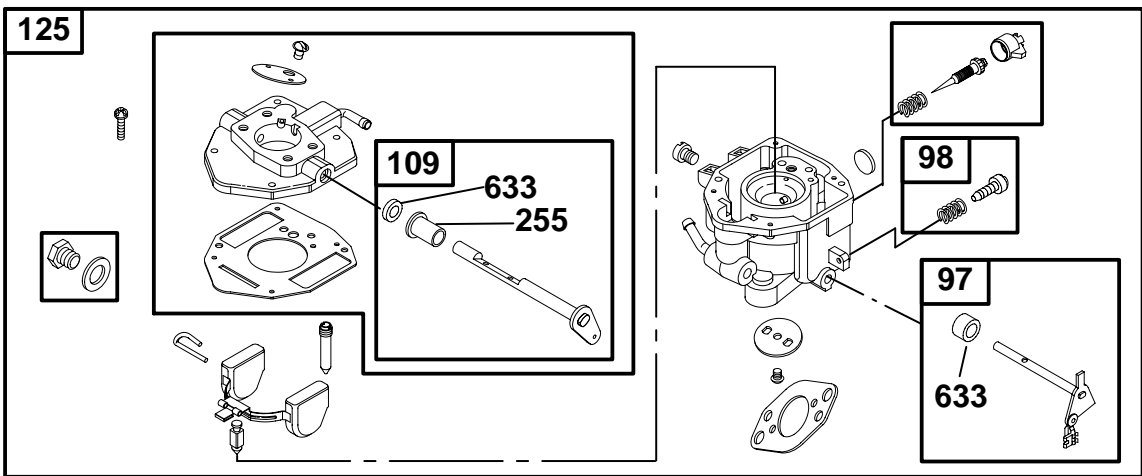
REF. NO.	PART NO.	DESCRIPTION	REF. NO.	PART NO.	DESCRIPTION	REF. NO.	PART NO.	DESCRIPTION
125	808251	Carburetor (Pump Feed Without Solenoid) (Used After Code Date 00071700). Note 809011 Carburetor (Pump Feed Without Solenoid) (Used Before Code Date 00071800). 809016 Carburetor (Pump Feed With Solenoid) (Used After Code Date 00081400). Used on Type No(s) 0393, 1182, 1236. 808290 Carburetor (Pump Feed With Solenoid) (Used Before Code Date 00081500). Used on Type No(s) 0393, 1182, 1236. 809013 Carburetor (Gravity Feed Without Solenoid) (Used After Code Date 00071100). Used on Type No(s) 1008, 1012, 1017, 1021, 1023, 1025, 1027, 1028, 1030, 1031, 1033, 1034, 1035, 1036, 1040, 1041, 1047, 1048, 1049, 1054, 1055, 1057, 1058, 1062, 1066, 1068, 1070,	1072, 1073, 1076, 1087, 1094, 1095, 1107, 1111, 1113, 1114, 1116, 1118, 1124, 1130, 1131, 1134, 1138, 1140, 1141, 1144, 1145, 1148, 1149, 1157, 1158, 1159, 1169, 1171, 1172, 1174, 1178, 1181, 1191, 1192, 1194, 1208, 1214, 1217, 1218, 1219, 1223, 1231, 1238, 1240, 1246, 1251, 1255, 1258, 1262, 1267, 1275, 1276, 1277, 1298, 1299, 1300, 1303, 1323, 1327, 1368. 808252 Carburetor (Gravity Feed Without Solenoid) (Used Before Code Date 00071200). Used on Type No(s) 1008, 1012, 1017, 1021, 1023, 1025, 1027, 1028, 1030, 1031, 1033, 1034, 1035, 1036, 1040, 1041, 1047, 1048, 1049, 1054, 1055, 1057, 1058, 1062, 1066, 1068, 1070, 1072, 1073, 1076, 1087, 1094, 1095, 1107, 1111, 1113, 1114, 1116, 1118, 1124, 1130, 1131,	1134, 1138, 1140, 1141, 1144, 1145, 1148, 1149, 1157, 1158, 1159, 1169, 1171, 1172, 1174, 1178, 1181, 1191, 1192, 1194, 1208, 1214, 1217, 1218, 1219, 1223, 1231, 1238, 1240, 1246, 1251, 1255, 1258, 1262, 1267, 1275, 1276, 1277, 1298, 1299, 1300, 1303, 1323, 1327, 1368. 809014 Carburetor (Gravity Feed With Solenoid) (Used After Code Date 00071100). Used on Type No(s) 1112, 1210, 1235, 1237, 1285. 808602 Carburetor (Gravity Feed With Solenoid) (Used Before Code Date 00071200). Used on Type No(s) 1112, 1210, 1235, 1237, 1285. 808972 Carburetor Used on Type No(s) 1408. 808965 Carburetor Used on Type No(s) 1409. 808979 Carburetor Used on Type No(s) 1410.				

★ Included in Engine Gasket Set—See Ref. 358.

● Included in Carburetor Overhaul Kit—See Ref. 121.

△ Included in Valve Gasket Set—See Ref. 1095.

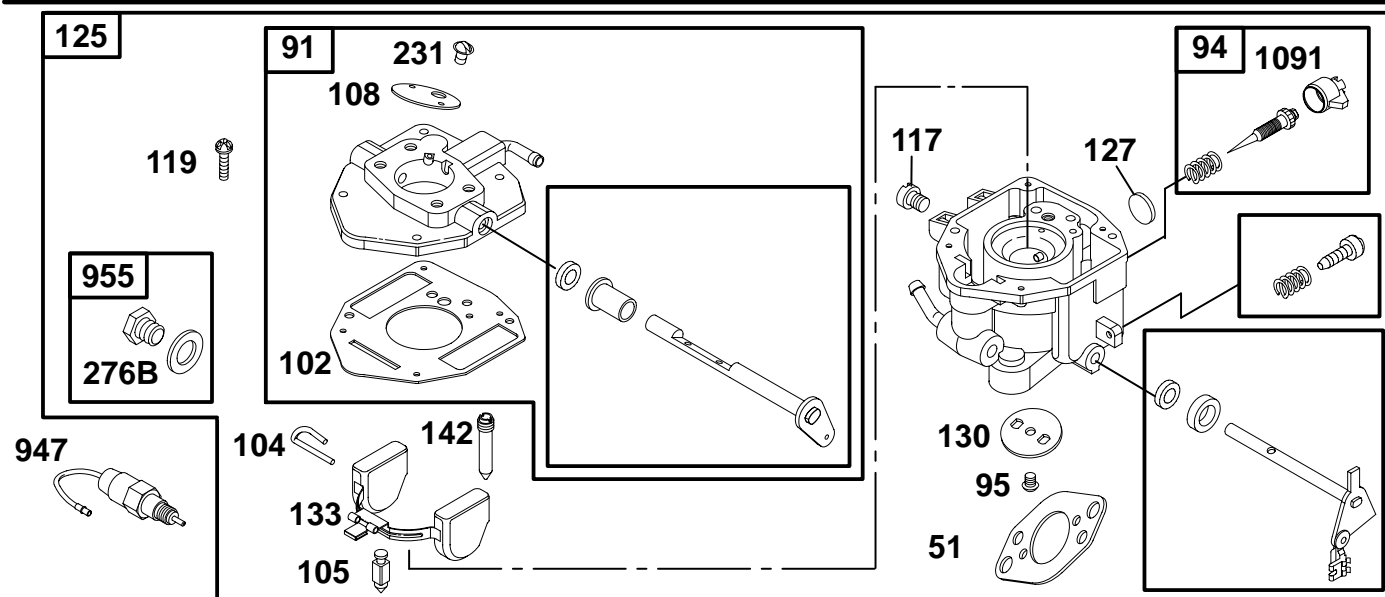
303400 to 303499



REF. NO.	PART NO.	DESCRIPTION	REF. NO.	PART NO.	DESCRIPTION	REF. NO.	PART NO.	DESCRIPTION
97	807720	Shaft-Throttle (Used After Code Date 00071100).	98	808177	Kit-Idle Speed	125		Carburetor (See Previous Page for Service Info)
97A	807720	Shaft-Throttle (Used Before Code Date 00071200).	98A	808981	Kit-Idle Speed Used on Type No(s). 1408.	217	806862	Spring-Choke Return
97B	808973	Shaft-Throttle (Used Before Code Date 00071200). Used on Type No(s). 1408.	109	807722	Shaft-Choke	255	690721	Bushing-Choke Shaft
97C	808963	Shaft-Throttle Used on Type No(s). 1409, 1410.	109A	808962	Shaft-Choke Used on Type No(s). 1409.	629	806863	Spring-Throttle Return
			109B	808978	Shaft-Choke Used on Type No(s). 1410.	633	806131	Seal-Choke/Throttle Shaft
			110	806861	Washer	633A	806864	Seal-Choke/Throttle Shaft
						633B	690722	Seal-Choke/Throttle Shaft
						807	805557	Spacer-Throttle

★ Included in Engine Gasket Set-See Ref. 358.
● Included in Carburetor Overhaul Kit-See Ref. 121.

△ Included in Valve Gasket Set-See Ref. 1095.

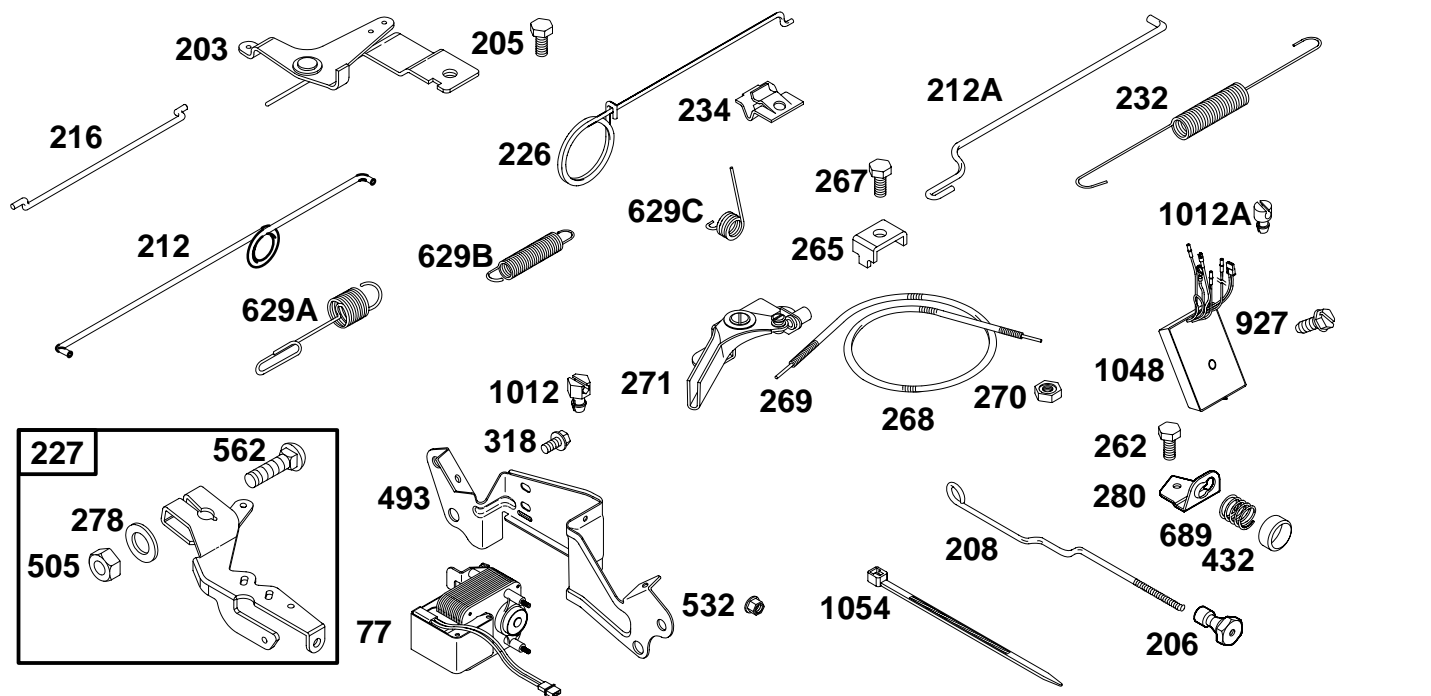


REF. NO.	PART NO.	DESCRIPTION	REF. NO.	PART NO.	DESCRIPTION	REF. NO.	PART NO.	DESCRIPTION
51	★805700	Gasket-Intake Manifold To Carburetor)	105	●805547	Valve-Float Needle (Pump Feed)			1048, 1054, 1055, 1058, 1062, 1066, 1070, 1072, 1073, 1076, 1112, 1113, 1124, 1148, 1158, 1174, 1178, 1181, 1191, 1192, 1194.
91	807919	Body-Upper Carburetor (Used After Code Date 90113000).			Note ●805620 Valve-Float Needle (Gravity Feed) Used on Type No(s). 0036, 0037, 0040, 0047, 0048, 0049, 0054, 0055, 0057, 0058, 0070, 0076, 0085, 0129, 0130, 0133, 0137, 0138, 0139, 0140, 0141, 0142, 0308, 0312, 0317, 0321, 0325, 0340, 0347, 0348, 0350, 0354, 0355, 0357, 0358, 0362, 0366, 0370, 0372, 0373, 0376, 0385, 0391, 0394, 0397, 0401, 0403, 0412, 0413, 0423, 0424, 0426, 0428, 0437, 0438, 0439, 0448, 0458, 0474, 0481, 0491, 0492, 0494, 0510, 0518, 1008, 1012, 1017, 1021, 1025, 1040, 1047,			
		Note 807721 Body-Upper Carburetor (Used Before Code Date 90120100). 808964 Body-Upper Carburetor Used on Type No(s). 1409. 808980 Body-Upper Carburetor Used on Type No(s). 1410.						
94	●808257	Kit-Idle Mixture				108	690719	Valve-Choke
95	690718	Screw (Throttle Valve)				117	●690862	Jet-Main
102	●805541	Gasket-Carburetor Body						Note 805537 Jet-Main (High Altitude)
104	●690723	Pin-Float Hinge				119	690720	Screw (Upper to Lower Carburetor Body)
						125		Carburetor (See Previous Page for Service Info)
						127	●690727	Plug-Welch
						130	690726	Valve-Throttle
						133	691510	Float-Carburetor
						142	●690725	Nozzle-Carburetor
						231	690718	Screw (Choke Valve)
						276B	●690724	Washer-Sealing Carburetor Plug)
						947	807664	Solenoid-Fuel
						955	807723	Plug-Carburetor (Jet)
						1091	●691516	Cap-Limiter

★ Included in Engine Gasket Set-See Ref. 358.
● Included in Carburetor Overhaul Kit-See Ref. 121.

△ Included in Valve Gasket Set-See Ref. 1095.

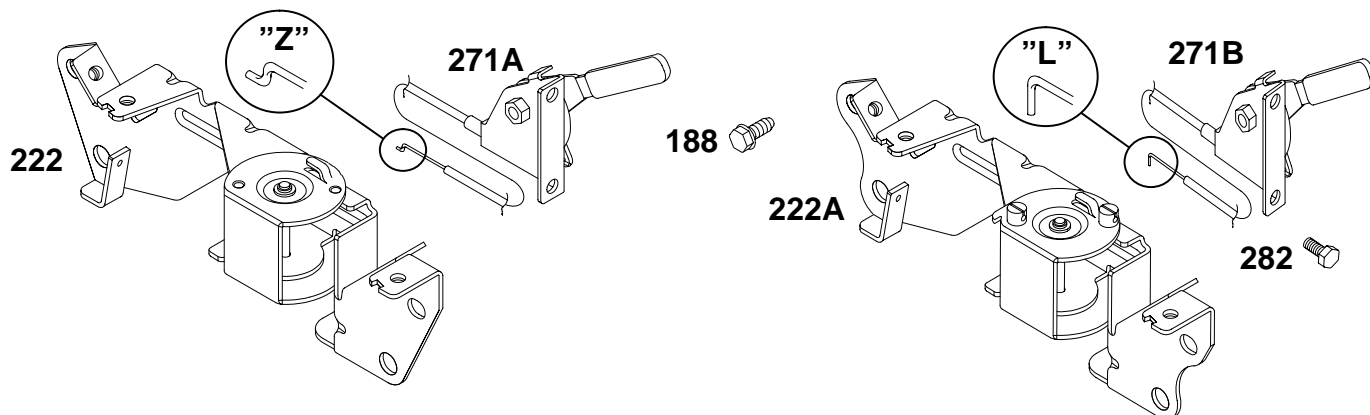
303400 to 303499



REF. NO.	PART NO.	DESCRIPTION	REF. NO.	PART NO.	DESCRIPTION	REF. NO.	PART NO.	DESCRIPTION
77	690819	Motor-Servo	262	805762	Screw (Rod Bracket)	562	690239	Bolt (Governor Control Lever)
203	690923	Crank-Bell	265	221535	Clamp-Casing (Casing Clamp)	629A	806060	Spring-Throttle Return Used on Type No(s). 0404, 0405, 1104, 1105, 1108, 1252, 1283.
205	805762	Screw (Bell Crank)	267	805762	Screw (Casing Clamp)	629B	806717	Spring-Throttle Return
206	691244	Nut-Governor Adjusting	268	65616	Casing-Control Wire (Cut to Required Length)	629C	806716	Spring-Throttle Return
208	691549	Rod-Governor Control (Used After Code Date 96033100).	269	26633	Wire-Control (Cut to Required Length)	689	691272	Spring-Friction
		Note	270	63426	Nut (Control Wire Casing)	927	691116	Screw (Electronic Governor Module)
		808453 Rod-Governor Control (Used After Code Date 94113000 and Before Code Date 96040100).	271	290568	Lever-Control	1012	690592	Retainer-Link
		805471 Rod-Governor Control (Used Before Code Date 94120100).	278	690237	Washer (Governor Control Lever)	1012A	691521	Retainer-Link
212	691519	Link-Throttle	280	691526	Bracket-Rod	1048	690669	Module-Electronic Governor (Used After Code Date 98102700).
212A	690712	Link-Throttle	318	690932	Screw (Mounting Bracket)			Note
216	690705	Link-Choke	432	691509	Cap-Spring			690815 Module-Electronic Governor (Used Before Code Date 98102800).
226	805509	Rod-Hand Choke	493	691518	Bracket-Mounting	1054	280275	Tie-Cable
227	690236	Lever-Governor Control	505	690238	Nut (Governor Control Lever)			
232	805465	Spring-Governor Link	532	691115	Nut (Mounting Bracket)			
234	221372	Clip-Control Rod						

★ Included in Engine Gasket Set-See Ref. 358.
● Included in Carburetor Overhaul Kit-See Ref. 121.

△ Included in Valve Gasket Set-See Ref. 1095.



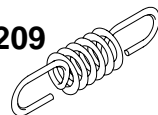
REF. NO.	PART NO.	DESCRIPTION	REF. NO.	PART NO.	DESCRIPTION	REF. NO.	PART NO.	DESCRIPTION
188	805025	Screw (Control Bracket)	222A	690918	Bracket-Control (Used With Control Lever and/or Wire With an "L" Formed End)	271A	692541	Lever-Control (Cable Wire With a "Z" Formed End)
222	808454	Bracket-Control (Used With Control Lever and/or Wire With a "Z" Formed End) (Used After Code Date 94113000).			Note 691570 Bracket- Control (Used After Code Date 95043000). Used on Type No(s). 1114, 1155, 1178.	271B	808118	Lever-Control (Cable Wire With an "L" Formed End)
		Note 807610 Bracket- Control (Used With Control Lever and/or Wire With a "Z" Formed End) (Used Before Code Date 94120100)			808014 Bracket- Control (Used Before Code Date 95050100). Used on Type No(s). 0414, 0478, 1114, 1178.	282	805762	Screw (Control Lever)

★ Included in Engine Gasket Set—See Ref. 358.
● Included in Carburetor Overhaul Kit—See Ref. 121.

△ Included in Valve Gasket Set—See Ref. 1095.

303400 to 303499

209



REF. NO.	PART NO.	DESCRIPTION	REF. NO.	PART NO.	DESCRIPTION	REF. NO.	PART NO.	DESCRIPTION
209	805460	Spring—Governor <hr/> Note 691506 Spring—Governor Used on Type No(s). 0022, 0028, 0036, 0037, 0042, 0044, 0052, 0078, 0129, 0130, 0342, 0344, 0352, 0378, 0396, 0415, 0425, 0450, 0462, 0494, 0498, 1042, 1044, 1078, 1162, 1194, 1198, 1257, 1378. <hr/> 690709 Spring—Governor Used on Type No(s). 0027, 0036, 0054, 0060, 0061, 0074, 0084, 0085, 0092, 0123, 0133, 0136, 0312, 0313, 0315, 0317, 0319, 0321, 0325, 0327, 0339, 0350, 0354, 0360, 0362, 0365, 0366, 0373, 0374, 0382, 0385, 0391, 0392, 0394, 0397, 0399, 0412, 0416, 0417, 0419, 0420, 0427, 0428, 0430, 0435, 0453, 0458, 0464, 0475, 0476, 0477, 0481, 0488, 0489, 0495, 0496, 0501,			0502, 0505, 0518, 1012, 1013, 1015, 1017, 1019, 1021, 1025, 1031, 1033, 1049, 1054, 1060, 1062, 1066, 1073, 1074, 1087, 1094, 1111, 1112, 1114, 1116, 1118, 1119, 1120, 1127, 1129, 1131, 1133, 1141, 1158, 1159, 1164, 1167, 1168, 1175, 1176, 1177, 1181, 1189, 1195, 1196, 1205, 1208, 1218, 1231, 1250, 1251, 1262, 1403. <hr/> 691507 Spring—Governor Used on Type No(s). 0326, 1026, 1270. <hr/> 690710 Spring—Governor Used on Type No(s). 0493, 1193, 1291. <hr/> 805462 Spring—Governor Used on Type No(s). 0064, 0093, 0132, 0364, 0393, 0440, 0443, 0482, 0486, 1018, 1052, 1064, 1093, 1128, 1142, 1143, 1153, 1182,			1186, 1220, 1236, 1272, 1281, 1290. 691508 Spring—Governor Used on Type No(s). 0045, 0345, 0423, 0446, 0451, 0456, 0480, 0497, 1151, 1157, 1170, 1180, 1197, 1200, 1224, 1232, 1269, 1282, 1297, 1412, 1413. <hr/> 805464 Spring—Governor Used on Type No(s). 0411, 0479, 1125, 1179, 1227, 1242, 1247, 1296. <hr/> 690716 Spring—Governor Used on Type No(s). 0369, 0386, 0433, 1069, 1086, 1095, 1210, 1237, 1278. <hr/> 805630 Spring—Governor Used on Type No(s). 0129, 0130, 0138, 0139, 0438, 0439, 1138, 1149, 1217. <hr/> 806869 Spring—Governor Used on Type No(s). 1408.

★ Included in Engine Gasket Set—See Ref. 358.

● Included in Carburetor Overhaul Kit—See Ref. 121.

△ Included in Valve Gasket Set—See Ref. 1095.

211



211A



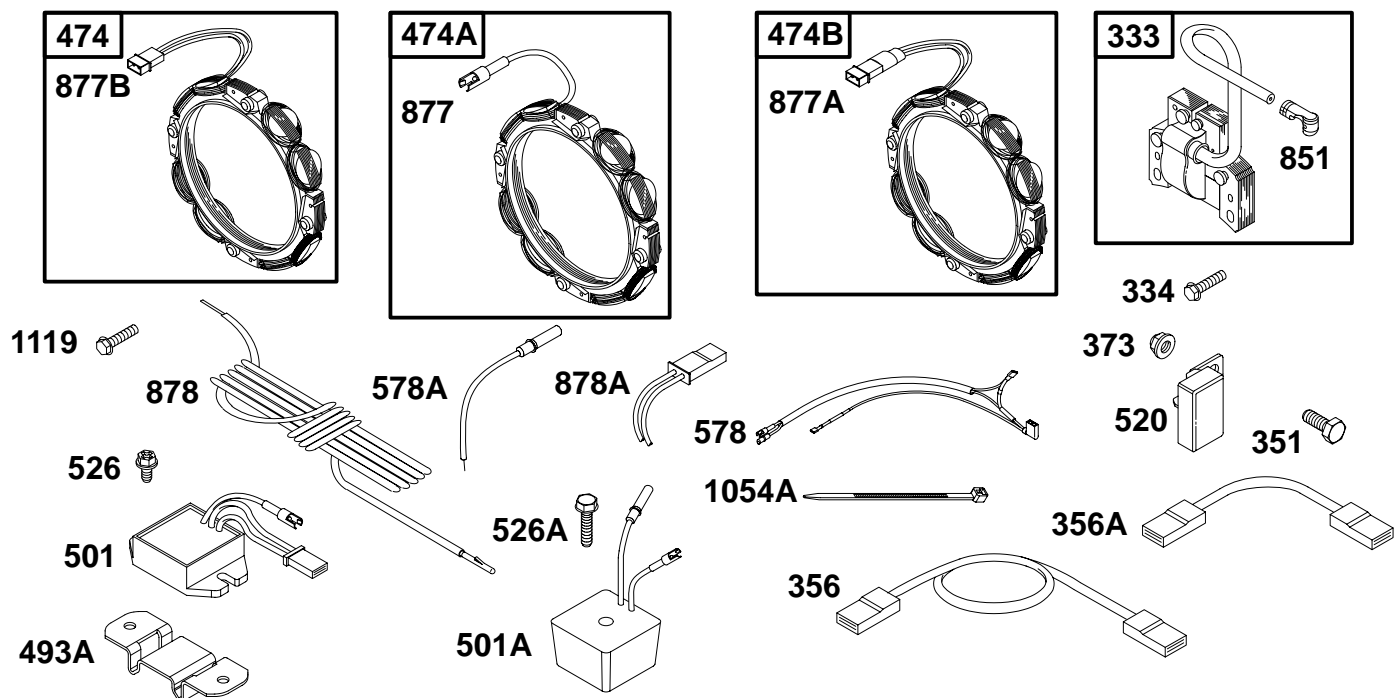
REF. NO.	PART NO.	DESCRIPTION	REF. NO.	PART NO.	DESCRIPTION	REF. NO.	PART NO.	DESCRIPTION
211	805453	Spring—Governed Idle —— Note —— 691505 Spring— Governed Idle Used on Type No(s). 0326, 0369, 0386, 0433, 1026, 1086, 1278.		0092, 0123, 0133, 0136, 0312, 0313, 0315, 0317, 0319, 0321, 0325, 0327, 0329, 0350, 0354, 0360, 0362, 0365, 0366, 0373, 0374, 0382, 0385, 0391, 0392, 0394, 0397, 0399, 0412, 0416, 0417, 0419, 0420, 0427, 0428, 0430, 0435, 0453, 0458, 0464, 0475, 0476, 0477, 0481, 0488, 0489, 0495, 0496, 0501, 0502, 0505, 0518, 1012, 1013, 1015, 1017, 1018, 1019, 1021, 1025, 1031, 1033, 1049,		1054, 1060, 1062, 1066, 1073, 1074, 1087, 1094, 1111, 1112, 1114, 1116, 1118, 1119, 1120, 1127, 1129, 1131, 1133, 1141, 1158, 1159, 1164, 1167, 1168, 1175, 1176, 1177, 1181, 1189, 1195, 1196, 1205, 1208, 1218, 1231, 1250, 1251, 1262, 1403.		
211A	805450	Spring—Governed Idle —— Note —— 690707 Spring— Governed Idle Used on Type No(s). 0027, 0035, 0036, 0054, 0060, 0061, 0074, 0084, 0085,					691553 Spring— Governed Idle Used on Type No(s). 1179, 1186, 1236, 1269, 1272.	

★ Included in Engine Gasket Set—See Ref. 358.

● Included in Carburetor Overhaul Kit—See Ref. 121.

△ Included in Valve Gasket Set—See Ref. 1095.

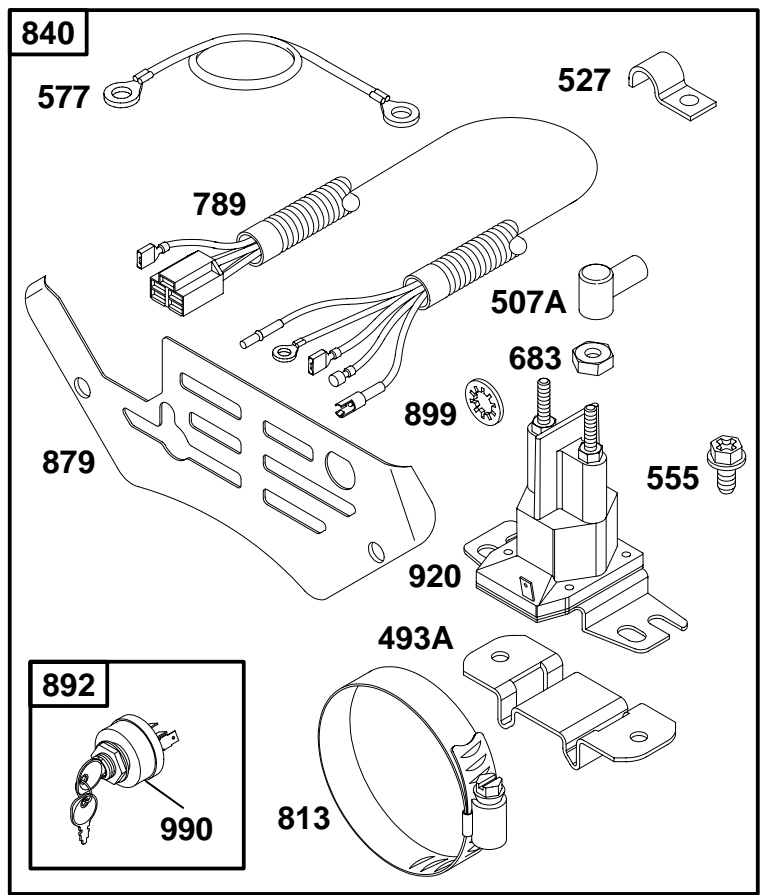
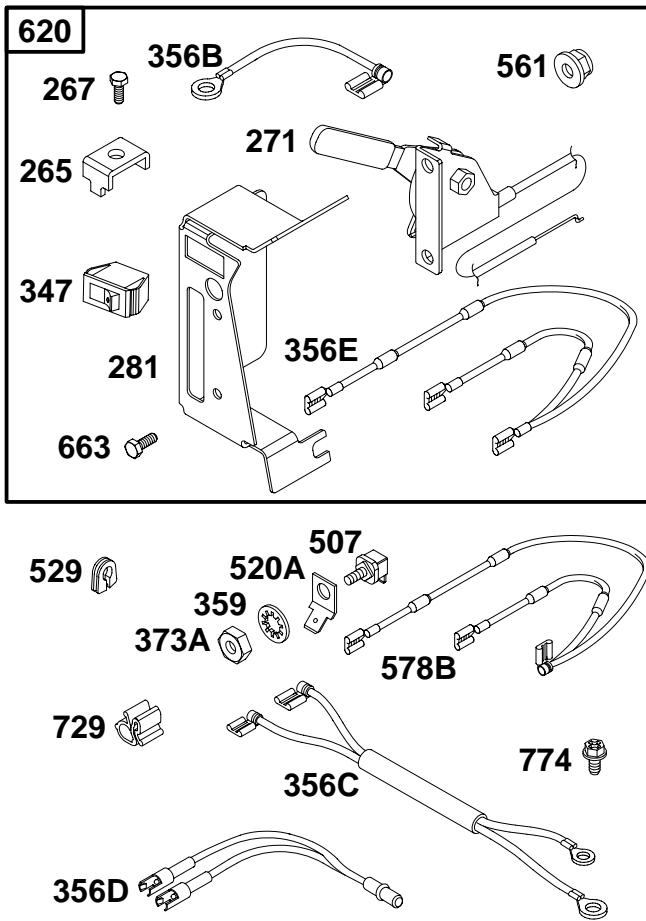
303400 to 303499



REF. NO.	PART NO.	DESCRIPTION	REF. NO.	PART NO.	DESCRIPTION	REF. NO.	PART NO.	DESCRIPTION
333	492341	Armature—Magneto	501	394890	Regulator (5 To 9 Amp)	526A	690717	Screw (Regulator) (5 To 9 Amp)
334	805407	Screw (Magneto Armature)			Note			
351	805762	Screw (Ground Terminal)			691573	Regulator (5 To 9 Amp)		(Used After Code Date 90021100).
356	807593	Wire—Stop (Cylinder 2)						Note
356A	807594	Wire—Stop (Cylinder 1)						810084
373	690713	Nut (Ground Terminal)	501A	491546	Regulator (5 To 9 Amp)			Screw (Regulator) (5 To 9 Amp)
474	393295	Alternator (10 To 16 Amp)	520	807527	Terminal—Ground			(Used Before Code Date 90021200).
		Note	526	805448	Screw (Regulator) (10 To 16 Amp)	578	691377	Wire Assembly
		691364			Note	578A	393422	Wire Assembly
		Alternator (10 To 16 Amp)				851	493880	Terminal—Sparkplug
		Used on Type No(s). 1036, 1041, 1295.				877	393537	Wire/Connector— Alternator (Green Single Socket)
474A	392595	Alternator (5 To 9 Amp)			691547	Screw (Regulator) (10 To 16 Amp)		877A
474B	393474	Alternator (Dual Circuit)						393456
493A	691177	Bracket—Mounting (Regulator)						Wire/Connector— Alternator (White Dual Socket)
								877B
								399916
								Wire/Connector— Alternator (Yellow Dual Socket)
								878
								691362
								Harness—Alternator
								878A
								393362
								Harness—Alternator (Dual Circuit)
								1054A
								710349
								Tie—Cable
								1119
								691552
								Screw (Alternator)

★ Included in Engine Gasket Set—See Ref. 358.
● Included in Carburetor Overhaul Kit—See Ref. 121.

△ Included in Valve Gasket Set—See Ref. 1095.

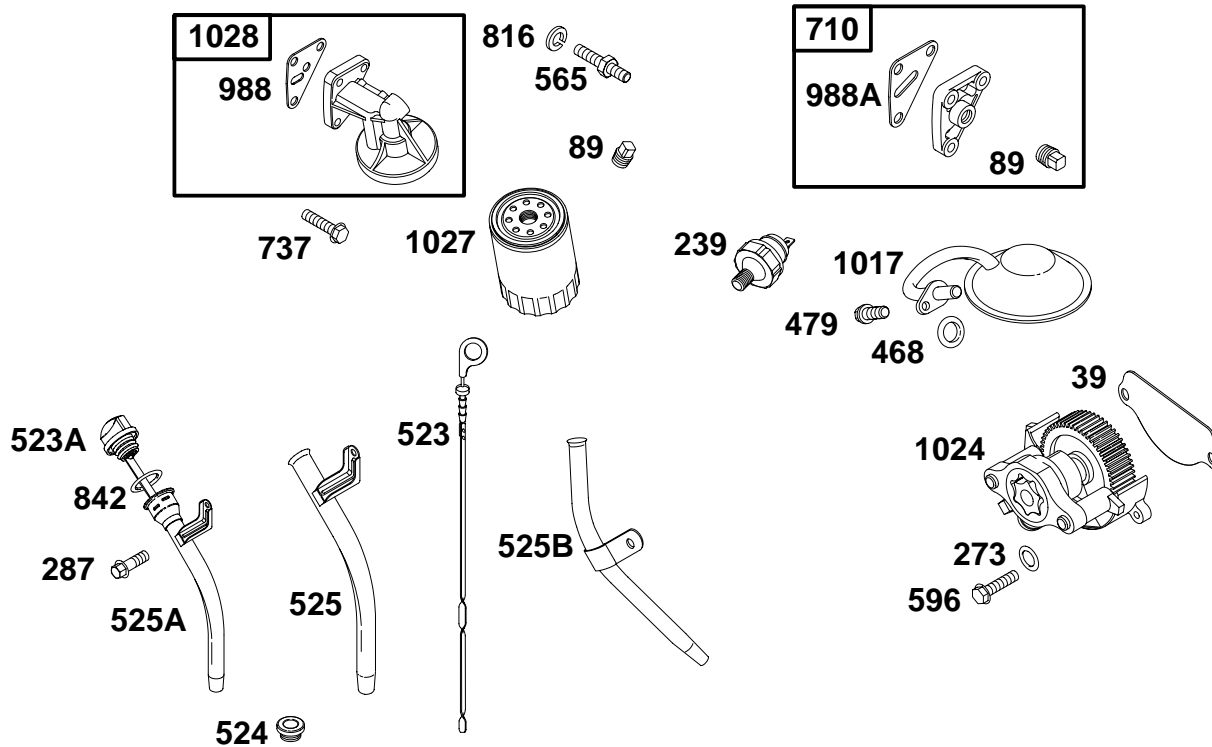


REF. NO.	PART NO.	DESCRIPTION	REF. NO.	PART NO.	DESCRIPTION	REF. NO.	PART NO.	DESCRIPTION
265	221535	Clamp-Casing	507	398525	Insulator	774	805448	Screw
267	805762	Screw	507A	281223	Insulator			(Stop Wire)
271	692541	Lever-Control (Cable Wire With a "Z" Formed End)	520A	691084	Terminal-Ground	789	493624	Harness-Wiring
281	690742	Panel-Control	527	690423	Clamp-Tube			Note
347	493521	Switch-Rocker	529	690744	Grommet			691578 Harness- Wiring
356B	690796	Wire-Stop	555	692067	Screw			Used on Type No(s). 1110, 1041, 1278, 1295.
356C	690809	Wire-Stop	561	690713	Nut	813	690635	Clamp
356D	692961	Wire-Stop			(Control Lever)	840	807817	Kit-Panel
356E	493864	Wire-Stop (Ignition Coil)	577	690795	Cable-Starter	879	690757	Cover-Carburetor
359	691077	Washer (Ground Terminal)	578B	493792	Wire Assembly (Ignition Coil)	892	493625	Switch-Key
373A	90576	Nut (Ground Terminal)	620	494052	Panel-Speed Control	899	691077	Washer (Starter Solenoid)
493A	691177	Bracket-Mounting (Solenoid)	663	805762	Screw (Control Panel)	920	807829	Solenoid-Starter
			683	92278	Nut (Starter Solenoid Terminal)	990	392832	Key Set
			729	690586	Clip-Wire			

★ Included in Engine Gasket Set-See Ref. 358.
● Included in Carburetor Overhaul Kit-See Ref. 121.

△ Included in Valve Gasket Set-See Ref. 1095.

303400 to 303499

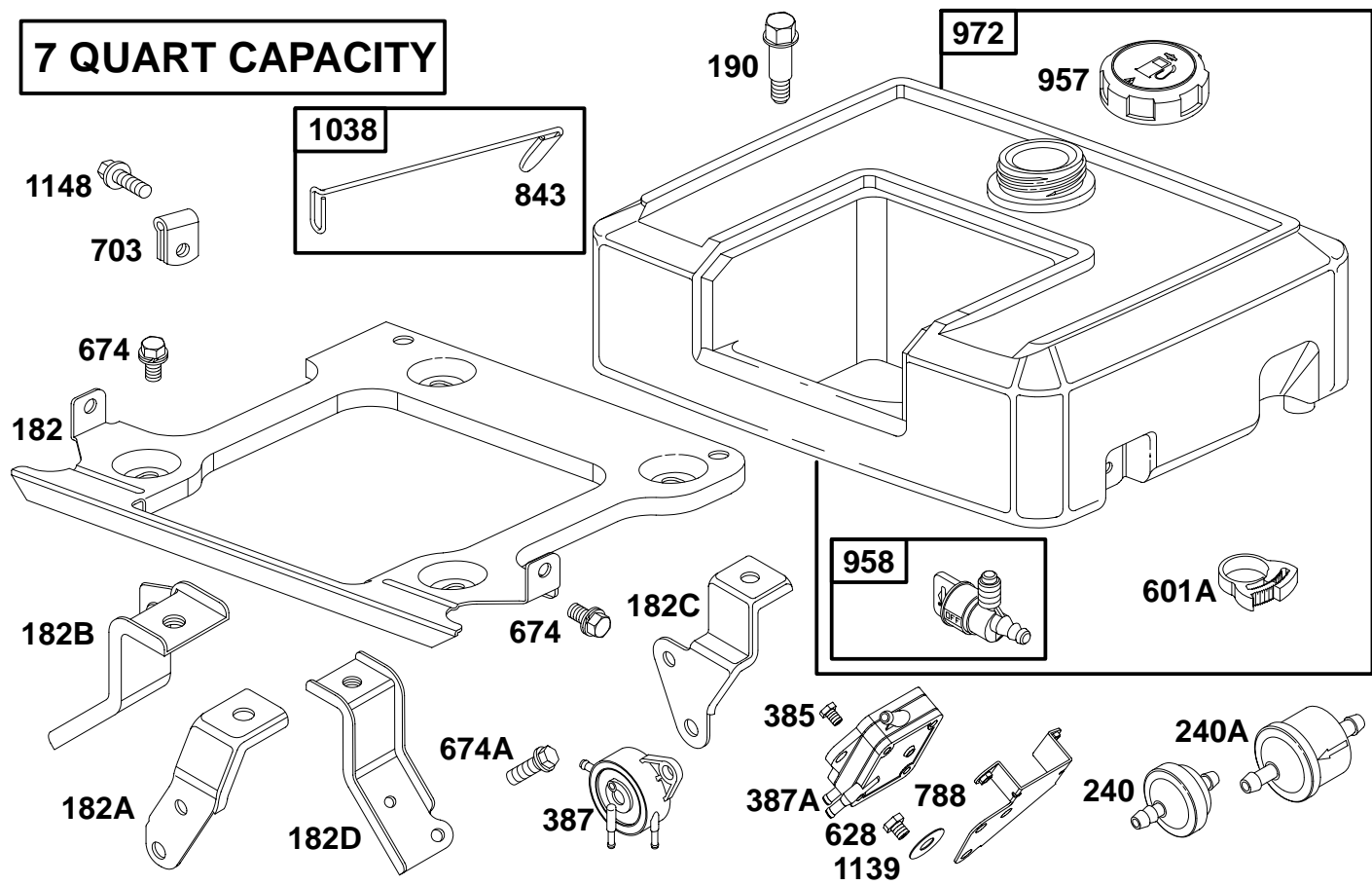


REF. NO.	PART NO.	DESCRIPTION	REF. NO.	PART NO.	DESCRIPTION	REF. NO.	PART NO.	DESCRIPTION
39	690745	Deflector—Oil (Used After Code Date 98050700).	524	★693172	Seal—Dipstick Tube (Used After Code Date 98053100).	565	690682	Stud (Oil Filter Adapter)
89	690283	Plug—Oil			Note	596	691492	Screw (Oil Pump)
239	690233	Switch—Oil Pressure			★281370 Seal—Dipstick Tube (Used Before Code Date 98060100).	710	807689	Cover—Oil Filter
273	★690681	Seal—O Ring (Oil Pump)	525	693174	Tube—Dipstick (Used After Code Date 98053100).	737	690679	Screw (Oil Filter Adapter)
287	806660	Screw (Dipstick Tube) (Special)	525A	693173	Tube—Dipstick (Used After Code Date 98053100.)	816	690706	Washer (Oil Filter Adapter)
		Note			Used on Type No(s). 1147, 1197, 1233, 1270, 1279, 1409.	842	★805386	Seal—O Ring (Dipstick)
468	★690690	Seal—O Ring (Oil Pump Screen)	525B	690897	Tube—Dipstick (Used Before Code Date 98060100).	988	★805250	Gasket—Oil Adapter
479	692537	Screw (Oil Pump Screen)			Note	988A	★690687	Gasket—Oil Adapter
523	693175	Dipstick (Special) (Used After Code Date 98053100).			690907 Tube—Dipstick (Used Before Code Date 98060100). Used on Type No(s). 0310, 0446, 0447, 0497, 1147, 1197, 1233, 1270.	1017	690900	Screen—Oil Pump
523A	807977	Dipstick (Standard) (Used Before Code Date 98060100).				1024	693185	Pump—Oil
						1027	492932	Filter—Oil (2 1/4" Long)
								Note
						1028	808235	Adapter—Oil Filter 808033 Adapter—Oil Filter (For Horizontal Mounted Oil Filter)

★ Included in Engine Gasket Set—See Ref. 358.

● Included in Carburetor Overhaul Kit—See Ref. 121.

△ Included in Valve Gasket Set—See Ref. 1095.



REF. NO.	PART NO.	DESCRIPTION	REF. NO.	PART NO.	DESCRIPTION	REF. NO.	PART NO.	DESCRIPTION
182	492317	Bracket-Fuel Tank	601A	805813	Clamp-Hose	957	491367	Cap-Fuel Tank (Plastic)
182A	690778	Bracket-Fuel Tank	628	806660	Screw (Pump Bracket)	958	399517	Valve-Fuel Shut Off (Plastic)
182B	690780	Bracket-Fuel Tank	674	805025	Screw (Fuel Tank Bracket)	972	492369	Tank-Fuel (7 Quart)
182C	690779	Bracket-Fuel Tank	674A	805177	Screw (Fuel Tank Bracket)	1038	492374	Rod-Fuel Shut-Off
182D	690781	Bracket-Fuel Tank	703	94484	Clip	1139	806497	Washer (Fuel Pump Bracket)
190	94536	Screw (Fuel Tank)	788	691559	Bracket-Fuel Pump	1148	94504	Screw (Clip)
240	298090	Filter-Fuel	843	691322	Sleeve-Lever			
240A	493629	Filter-Fuel						
385	693169	Screw (Fuel Pump)						
387	808656	Pump-Fuel						
387A	808969	Pump-Fuel						
		Used on Type No(s). 1179, 1180, 1233, 1282, 1408.						

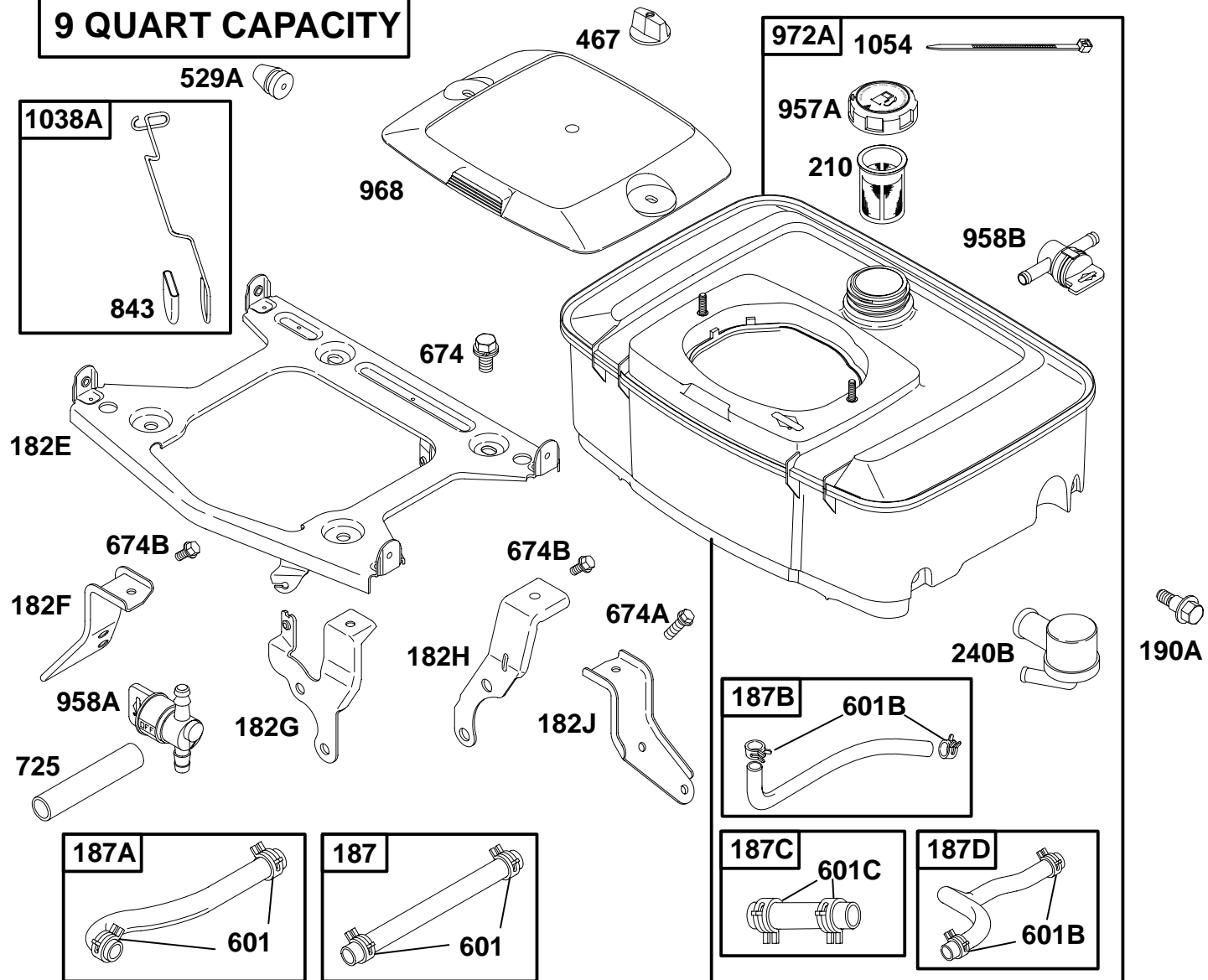
★ Included in Engine Gasket Set-See Ref. 358.

● Included in Carburetor Overhaul Kit-See Ref. 121.

△ Included in Valve Gasket Set-See Ref. 1095.

303400 to 303499

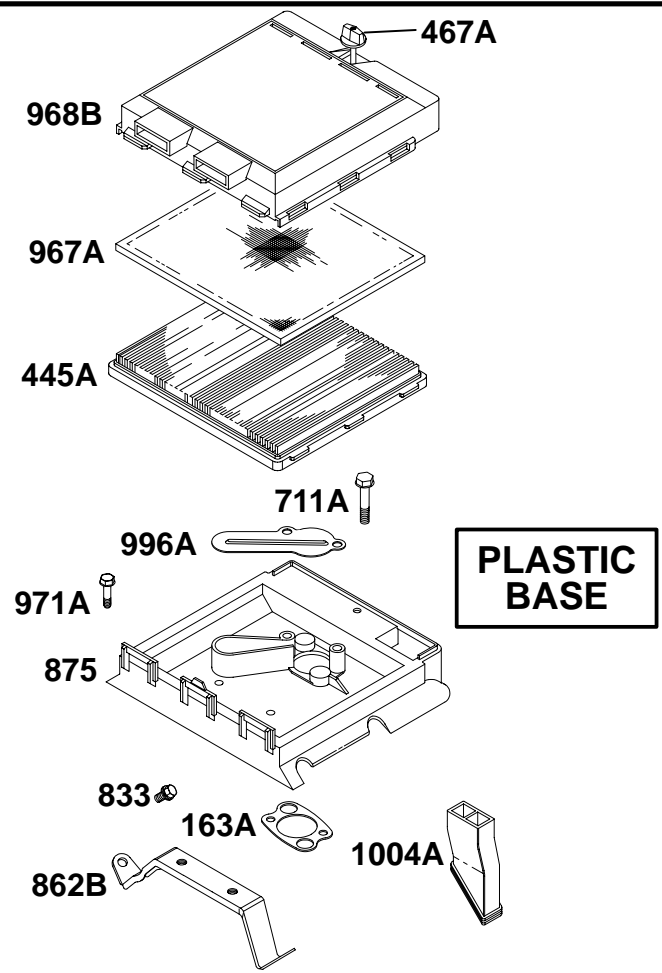
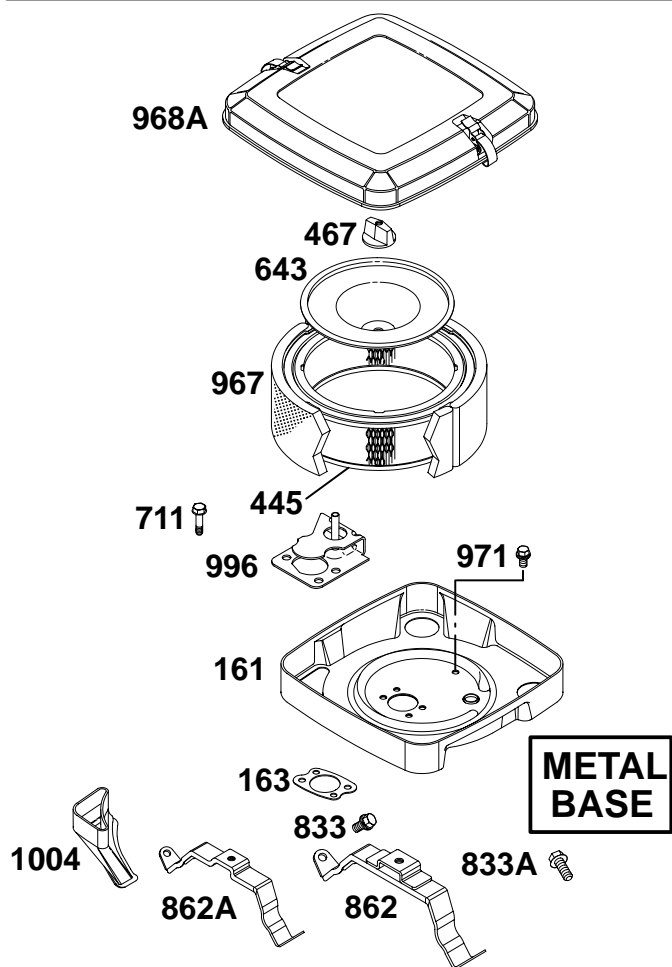
9 QUART CAPACITY



REF. NO.	PART NO.	DESCRIPTION	REF. NO.	PART NO.	DESCRIPTION	REF. NO.	PART NO.	DESCRIPTION
182E	691566	Bracket-Fuel Tank	190A	94895	Screw (Fuel Tank)	725	280866	Shield-Heat (Cut to Required Length)
182F	691523	Bracket-Fuel Tank	210	691370	Strainer-Fuel	843	691322	Sleeve-Lever
182G	691520	Bracket-Fuel Tank	240B	808116	Filter-Fuel	957A	493988	Cap-Fuel Tank (Plastic)
182H	691525	Bracket-Fuel Tank	467	491875	Knob-Air Cleaner	958A	494768	Valve-Fuel Shut Off (Plastic)
182J	691524	Bracket-Fuel Tank	529A	691527	Grommet	958B	494914	Valve-Fuel Shut Off (Plastic)
187	296004	Line-Fuel (Cut to Required Length)	601	93053	Clamp-Hose	968	691334	Cover-Air Cleaner
187A	691049	Line-Fuel (Molded)	601B	93807	Clamp-Hose	972A	690663	Tank-Fuel (9 Quart)
187B	808122	Line-Fuel	601C	691522	Clamp-Hose	1038A	691567	Rod-Fuel Shut Off
187C	808121	Line-Fuel	674	805025	Screw (Fuel Tank Bracket)	1054	280275	Tie-Cable
187D	808123	Line-Fuel	674A	805177	Screw (Fuel Tank Bracket)			
			674B	805247	Screw (Fuel Tank Bracket)			

★ Included in Engine Gasket Set-See Ref. 358.
 ● Included in Carburetor Overhaul Kit-See Ref. 121.

△ Included in Valve Gasket Set-See Ref. 1095.

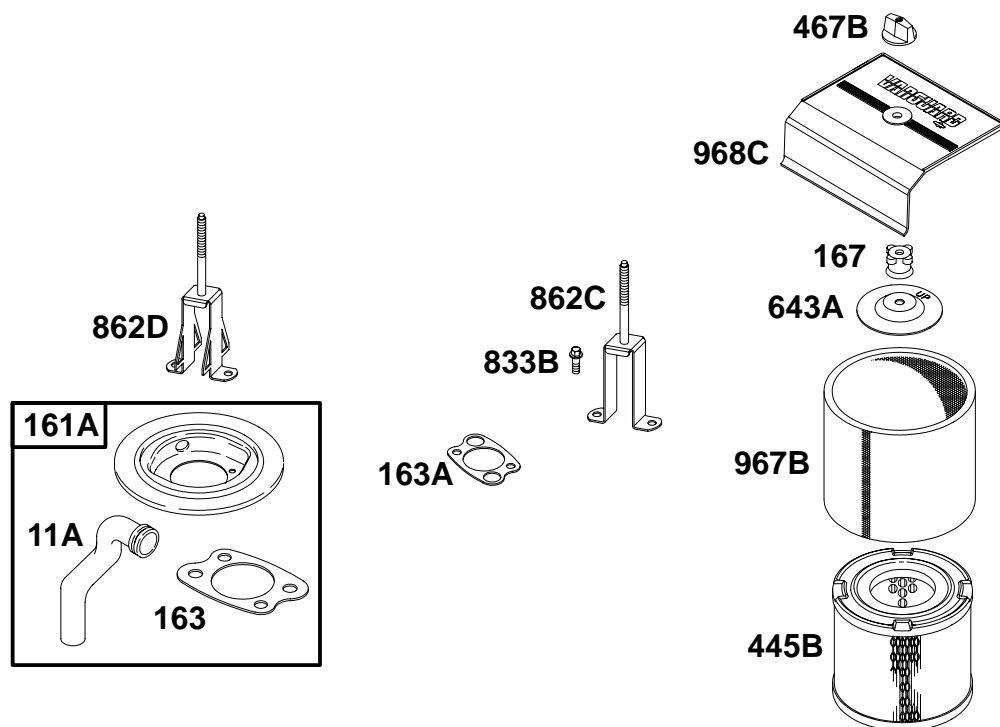


REF. NO.	PART NO.	DESCRIPTION	REF. NO.	PART NO.	DESCRIPTION	REF. NO.	PART NO.	DESCRIPTION
161	691561	Base—Air Cleaner (Metal) Note 690909 Base—Air Cleaner (Metal) Used on Type No(s). 0452, 0463, 0468, 0490, 0493, 1152, 1188, 1190, 1193, 1269, 1296.	711	691492	Screw (Carburetor Shield)	862A	692153	Strap/Stud—Air Cleaner Mounting
163	★805655	Gasket—Air Cleaner	711A	690699	Screw (Carburetor Shield)	862B	807563	Strap/Stud—Air Cleaner Mounting
163A	★805003	Gasket—Air Cleaner	833	692539	Screw (Cleaner Mounting Strap)	875	690894	Base—Air Cleaner (Plastic)
445	394018	Filter—Air Cleaner Cartridge	833A	690872	Screw (Cleaner Mounting Strap) (Used After Code Date 97103100).	967	272490	Filter—Pre Cleaner
445A	805113	Filter—Air Cleaner Cartridge	862	692542	Strap/Stud—Air Cleaner Mounting (Used After Code Date 97103100). Note 807859 Strap/Stud—Air Cleaner Mounting (Used Before Code Date 97110100).	967A	805267	Filter—Pre Cleaner
467	491875	Knob—Air Cleaner				968A	807862	Cover—Air Cleaner (Metal)
467A	690895	Knob—Air Cleaner				968B	690694	Cover—Air Cleaner (Plastic)
643	805631	Retainer—Air Filter				971	692537	Screw (Air Cleaner Base)
						971A	691492	Screw (Air Cleaner Base)
						996	691577	Shield—Carburetor
						996A	690696	Shield—Carburetor
						1004	690743	Duct—Air
						1004A	692538	Duct—Air

★ Included in Engine Gasket Set—See Ref. 358.
● Included in Carburetor Overhaul Kit—See Ref. 121.

△ Included in Valve Gasket Set—See Ref. 1095.

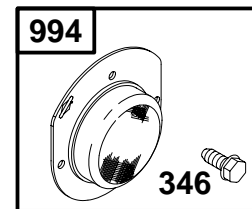
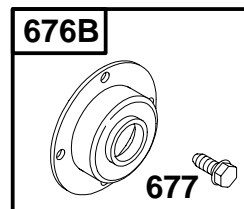
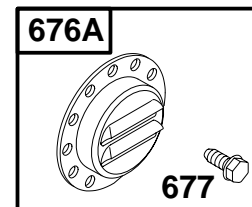
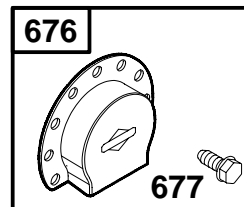
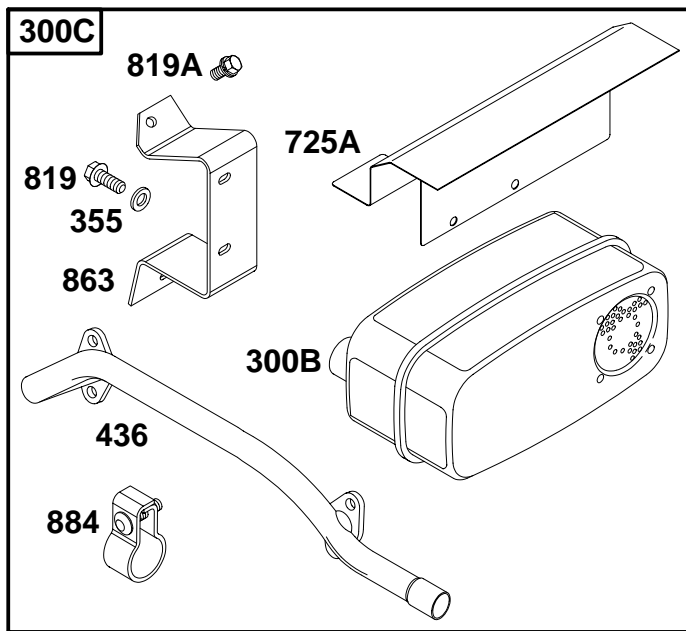
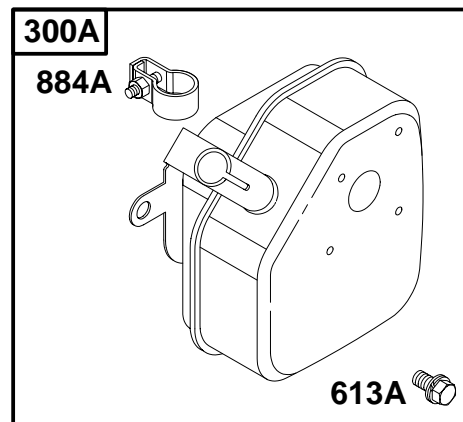
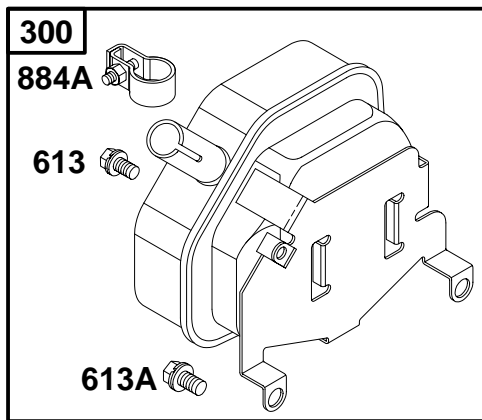
303400 to 303499



REF. NO.	PART NO.	DESCRIPTION	REF. NO.	PART NO.	DESCRIPTION	REF. NO.	PART NO.	DESCRIPTION
11A	691556	Tube-Breather	643A	690447	Retainer-Air Filter	862D	691565	Strap/Stud-Cleaner Mounting
161A	808414	Base-Air Cleaner	833B	810037	Screw (Cleaner Mounting Strap)	967B	271794	Filter-Pre Cleaner
163	★805655	Gasket-Air Cleaner	862C	492133	Strap/Stud-Air Cleaner Mounting	968C	280903	Cover-Air Cleaner
163A	★805003	Gasket-Air Cleaner						
167	281051	Seal-Air Cleaner Nut						
445B	393957	Filter-Air Cleaner Cartridge						
467B	493903	Knob-Air Cleaner						

★ Included in Engine Gasket Set-See Ref. 358.
 ● Included in Carburetor Overhaul Kit-See Ref. 121.

△ Included in Valve Gasket Set-See Ref. 1095.

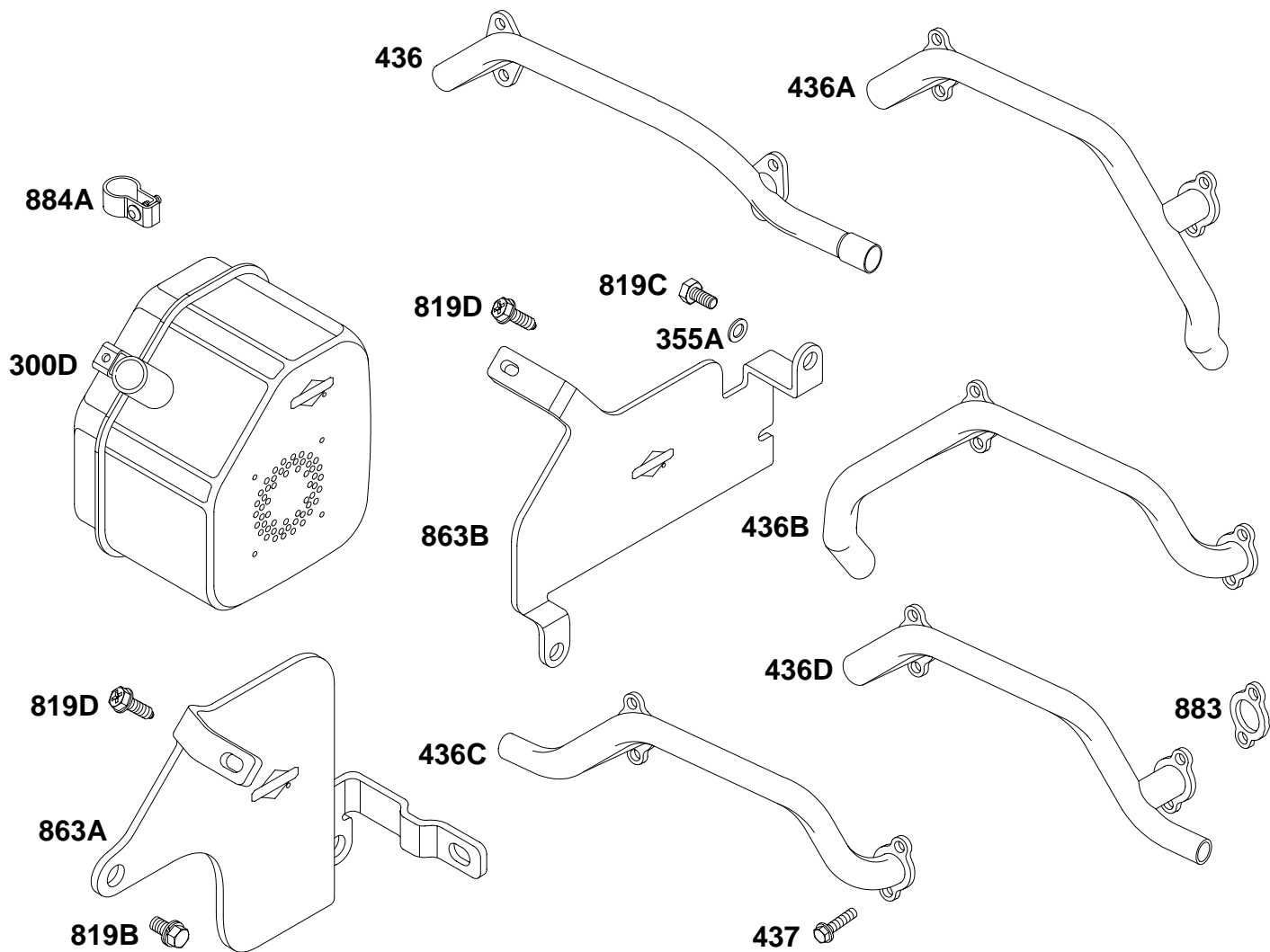


REF. NO.	PART NO.	DESCRIPTION	REF. NO.	PART NO.	DESCRIPTION	REF. NO.	PART NO.	DESCRIPTION
300	807741	Muffler (Cylinder 1 Side Outlet)	613	692539	Screw (Muffler)	819	690297	Screw (Muffler Bracket)
300A	807742	Muffler (Cylinder 2 Side Outlet)	613A	805025	Screw (Muffler)			(Used After Code Date 97012300).
300B	498984	Muffler (Super Lo Tone)	676	393761	Deflector-Muffler (Side Outlet)			Note
300C	807752	Muffler (Super Lo Tone)	676A	397630	Deflector-Muffler (Louvered)			94786 Screw (Muffler Bracket)
346	94896	Screw (Spark Arrester)	676B	396903	Deflector-Muffler (Direct Out)			(Used Before Code Date 97012400).
355	690237	Washer (Muffler Bracket)	677	94896	Screw (Muffler Deflector)	819A	692537	Screw (Muffler Bracket)
436	805609	Manifold-Exhaust	725A	806102	Shield-Heat	863	805610	Bracket-Muffler
						882	805502	Flange-Exhaust
						884	690898	Clamp-Muffler
						884A	392649	Clamp-Muffler
						994	392390	Arrestor-Spark

★ Included in Engine Gasket Set-See Ref. 358.
● Included in Carburetor Overhaul Kit-See Ref. 121.

△ Included in Valve Gasket Set-See Ref. 1095.

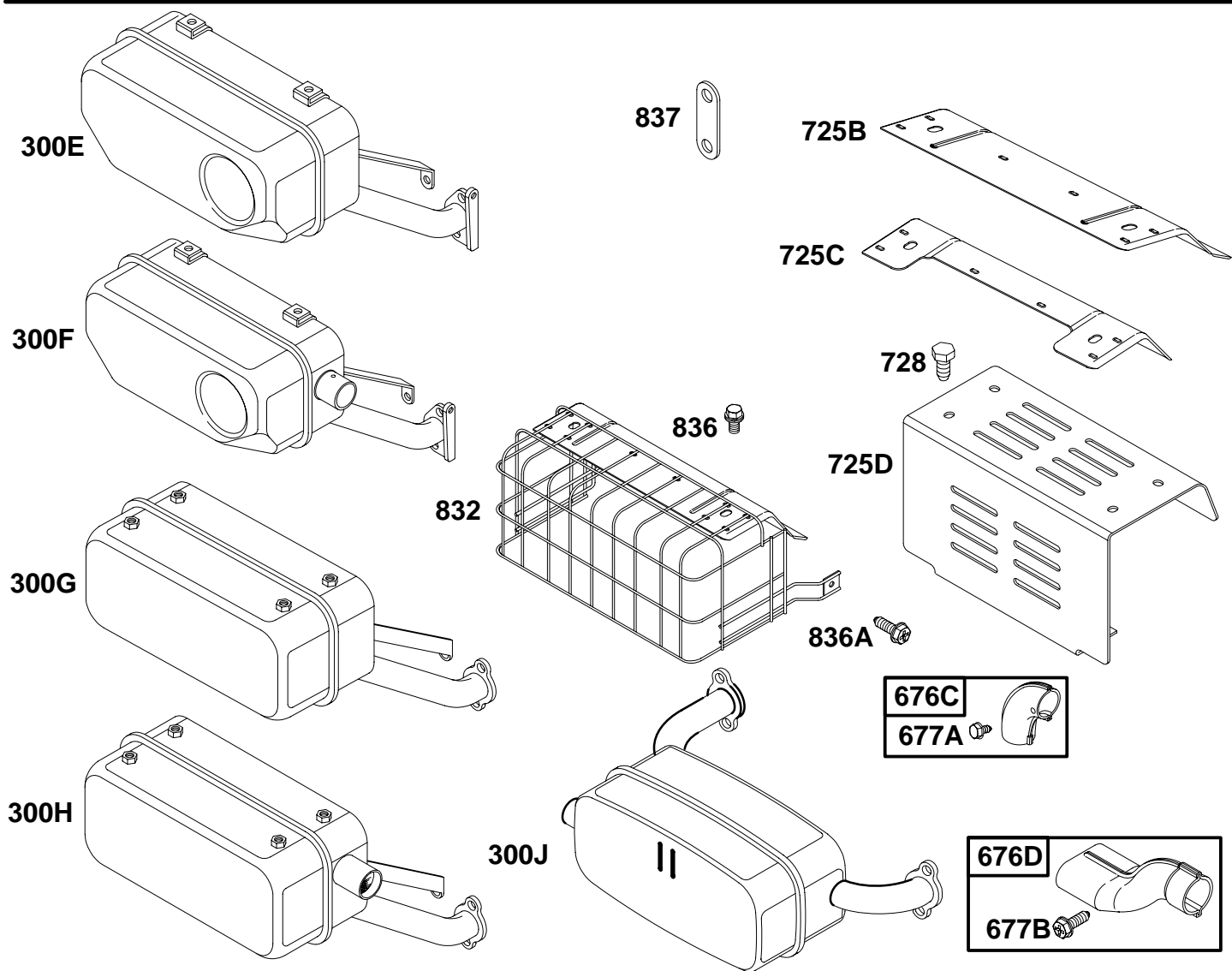
303400 to 303499



REF. NO.	PART NO.	DESCRIPTION	REF. NO.	PART NO.	DESCRIPTION	REF. NO.	PART NO.	DESCRIPTION
300D	807948	Muffer (Lo Mount)	436C	691502	Manifold-Exhaust (Used With Muffer Supplied by Customer).	819C	690943	Screw (Muffer Bracket) (M8 1.25 x 16)
355A	690944	Washer (Muffer Bracket)	436D	691501	Manifold-Exhaust (Used With Muffer Supplied by Customer).	819D	805448	Screw (Muffer Bracket) (M8 1 x 12)
436	805609	Manifold-Exhaust (Cylinder 2 Side Outlet)	437	805158	Screw (Exhaust Manifold)	863A	691513	Bracket-Muffer (Cylinder 2 Side)
436A	805142	Manifold-Exhaust (Cylinder 2 Side Outlet)	819B	805025	Screw (Muffer Bracket) (M8 1.25 x 14)	863B	690756	Bracket-Muffer (Cylinder 2 Side)
436B	691499	Manifold-Exhaust (Cylinder 1 Side Outlet)				883	★△805024	Gasket-Exhaust
						884A	392649	Clamp-Muffer

★ Included in Engine Gasket Set-See Ref. 358.
 ● Included in Carburetor Overhaul Kit-See Ref. 121.

△ Included in Valve Gasket Set-See Ref. 1095.



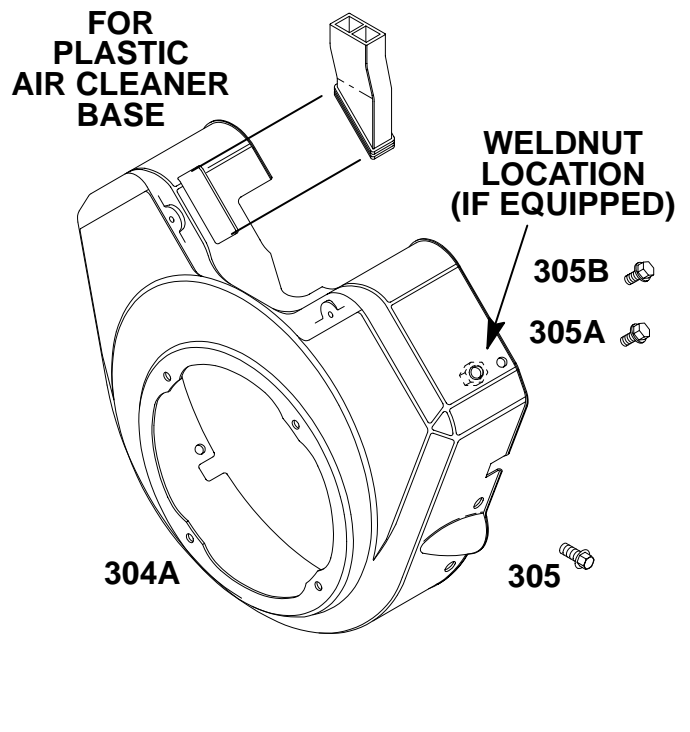
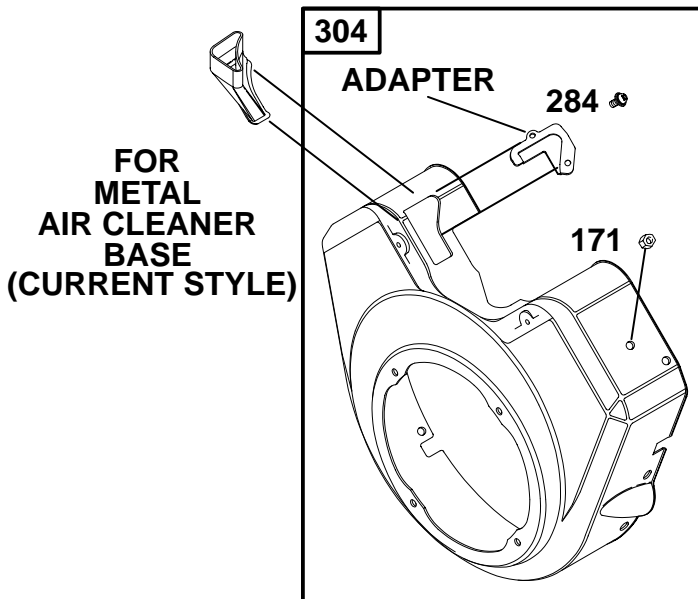
REF. NO.	PART NO.	DESCRIPTION	REF. NO.	PART NO.	DESCRIPTION	REF. NO.	PART NO.	DESCRIPTION
300E	690906	Muffler (Cylinder 1) (Side Outlet, Starter Motor Side)	300J	690931	Muffler	728	805704	Screw (Heat Shield)
300F	691562	Muffler (Cylinder 2) (Side Outlet, Oil Filter Side)	676C	495518	Deflector-Muffler	832	691571	Muffler Guard
300G	807831	Muffler (Cylinder 1) (Side Outlet, Starter Motor Side)	676D	808394	Deflector-Muffler	836	691514	Screw (Muffler Guard)
300H	807799	Muffler (Cylinder 2) (Side Outlet, Oil Filter Side)	677A	810079	Screw (Muffler Deflector)	836A	805448	Screw (Muffler Guard)
			677B	690688	Screw (Muffler Deflector)	837	808085	Spacer-Muffler
			725B	691498	Shield-Heat			
			725C	805844	Shield-Heat			
			725D	805702	Shield-Heat			

★ Included in Engine Gasket Set-See Ref. 358.

● Included in Carburetor Overhaul Kit-See Ref. 121.

△ Included in Valve Gasket Set-See Ref. 1095.

303400 to 303499

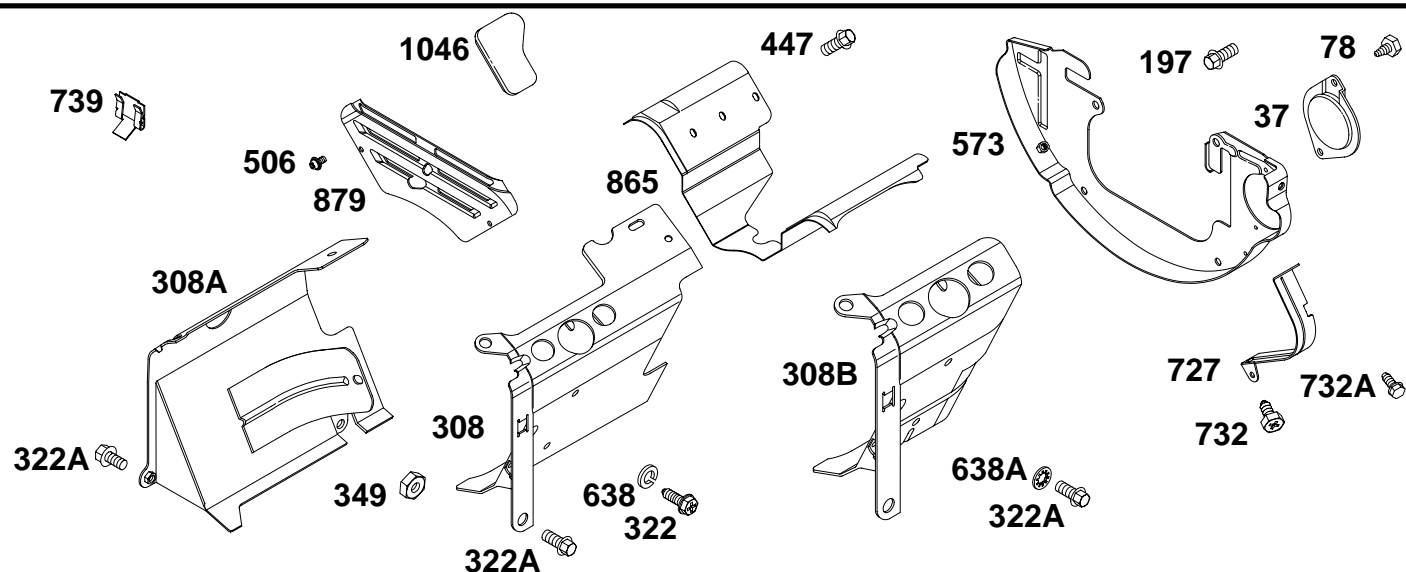


REF. NO.	PART NO.	DESCRIPTION	REF. NO.	PART NO.	DESCRIPTION	REF. NO.	PART NO.	DESCRIPTION	
171	810056	Nut (Air Cleaner)							
284	93410	Screw (Control Wire Casing)							
304	808055	Housing-Blower (Red, Without Weld Nut, For Metal Air Cleaner)							
		Note							
	808408	Housing-Blower (Black, Without Weld Nut, For Metal Air Cleaner)							
304A	807814	Housing-Blower (Black, Without Weld Nut, For Plastic Air Cleaner) (Used After Code Date 90111600).							
		Note							
	807891	Housing-Blower (Black, Without Weld Nut, For Plastic Air Cleaner) (Used Before Code Date 90111700).							
				807820	Housing-Blower (Red, Without Weld Nut, For Plastic Air Cleaner) (Used After Code Date 90111600).			807662	Housing-Blower (Black, With Weld Nut, For Plastic Air Cleaner) (Used Before Code Date 90111700).
				807892	Housing-Blower (Red, Without Weld Nut, For Plastic Air Cleaner) (Used Before Code Date 90111700).	305	692539	Screw (Blower Housing) (M6 x 10)	
				808008	Housing-Blower (Red, With Weld Nut, For Plastic Air Cleaner) (Used After Code Date 90111600).	305A	805025	Screw (Blower Housing) (M8 x 14)	
				807654	Housing-Blower (Red, With Weld Nut, For Plastic Air Cleaner) (Used Before Code Date 90111700).	305B	805247	Screw (Blower Housing) (M8 x 18)	

★ Included in Engine Gasket Set-See Ref. 358.

● Included in Carburetor Overhaul Kit-See Ref. 121.

△ Included in Valve Gasket Set-See Ref. 1095.

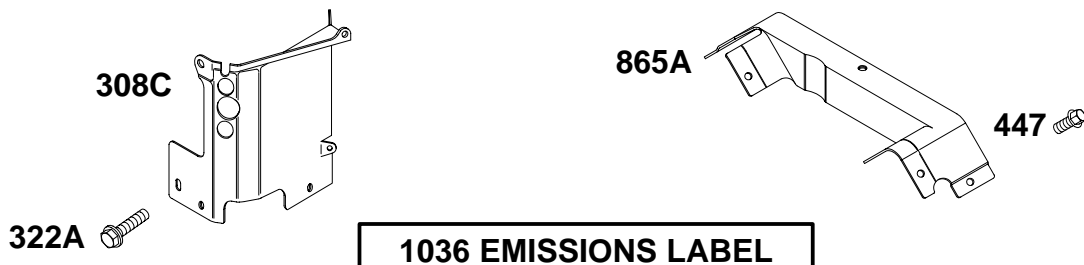


REF. NO.	PART NO.	DESCRIPTION	REF. NO.	PART NO.	DESCRIPTION	REF. NO.	PART NO.	DESCRIPTION
37	690715	Guard-Flywheel (Black)			———— Note ————	322	805448	Screw (Cylinder Head Cover)
		———— Note ————			691563 Cover-Cylinder Head (Cylinder 2) (Black)	322A	692539	Screw (Cylinder Head Cover)
		805504 Guard-Flywheel (Red)			(Used After Code Date 93072200 and Before Code Date 98113000).	349	690238	Nut (Cylinder Head Cover)
78	690688	Screw (Flywheel Guard)			807659 Cover-Cylinder Head (Cylinder 2) (Black)	447	692539	Screw (Air Guide Cover)
197	692539	Screw (Back Plate)			(Used Before Code Date 93072300).	506	690677	Screw (Carburetor Cover)
308	806545	Cover-Cylinder Head (Cylinder 1) (Black)			(Used After Code Date 98120100).	573	690902	Plate-Back (Black)
		———— Note ————	308B	691575	Cover-Cylinder Head (Cylinder 1) (Black)	638	690706	Washer (Cylinder Head Cover) (Spring)
		691576 Cover-Cylinder Head (Cylinder 1) (Black)			(Used After Code Date 93072200).	638A	691551	Washer (Cylinder Head Cover) (Lock Tooth)
		(Used After Code Date 93072200 and Before Code Date 98113000).			———— Note ————	727	690714	Cover-Starter Drive (Black)
		807658 Cover-Cylinder Head (Cylinder 1) (Black)			807868 Cover-Cylinder Head (Cylinder 1) (Black)			———— Note ————
		(Used Before Code Date 93072300).			(Used After Code Date 90111600 and Before Code Date 93072300).	732	690688	Screw (Starter Drive Cover)
308A	806544	Cover-Cylinder Head (Cylinder 2) (Black)			807656 Cover-Cylinder Head (Cylinder 1) (Black)	732A	692539	Screw (Starter Drive Cover)
		(Used After Code Date 98120100).			(Used Before Code Date 90111700).	739	690451	Clip-Debris
						865	690750	Cover-Air Guide (Valley)(Black)
						879	690757	Cover-Carburetor
						1046	805753	Plug-Blower Housing

★ Included in Engine Gasket Set-See Ref. 358.
 ● Included in Carburetor Overhaul Kit-See Ref. 121.

△ Included in Valve Gasket Set-See Ref. 1095.

303400 to 303499

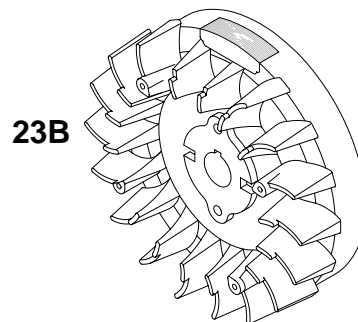
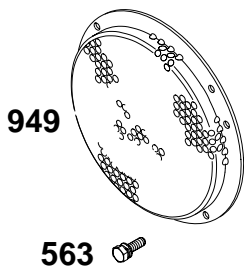
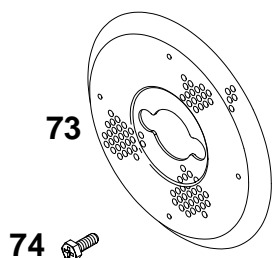
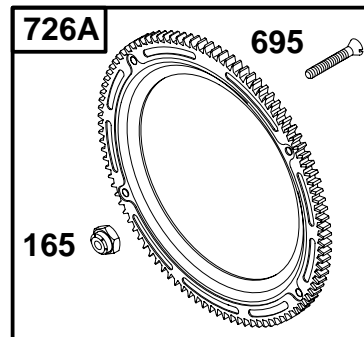
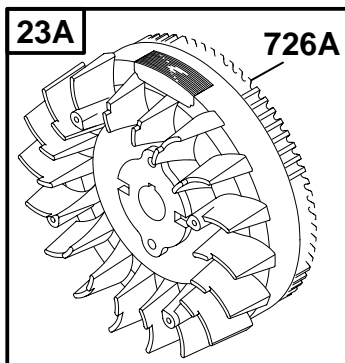
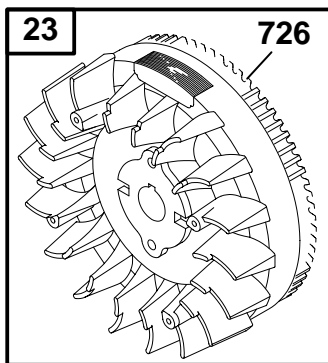


1036 EMISSIONS LABEL

REF. NO.	PART NO.	DESCRIPTION	REF. NO.	PART NO.	DESCRIPTION	REF. NO.	PART NO.	DESCRIPTION
308C	690913	Cover-Cylinder Head (Cylinder 2) (Black) (Used After Code Date 93072200). Note 807869 Cover-Cylinder Head (Cylinder 1) (Black) (Used After Code Date 90111600 and Before Code Date 93072300). 807657 Cover-Cylinder Head (Cylinder 2) (Black) (Used Before Code Date 90111700).	322A	692539	Screw (Cylinder Head Cover)			806583 Label-Emissions (Used Before Code Date 99100100 and After Code Date 98123100).
			447	692539	Screw (Air Guide Cover)			499365 Label-Emissions (Used Before Code Date 99010100 and After Code Date 97052500).
			865A	690901	Cover-Air Guide (Black) Note 807653 Cover-Air Guide (Red) 690908 Cover-Air Guide (Black) Used on Type No(s). 0310, 0446, 0447, 0497, 1147, 1197, 1270, 1279.			499366 Label-Emissions (Used After Code Date 97052600).
			1036	806881	Label-Emissions (Used After Code Date 00063000). Note 806687 Label-Emissions (Used Before Code Date 00070100 and After Code Date 99093000).			806890 Label-Emission (Used After Code Date 00063000). Used on Type No(s). 1138. 806632 Label-Emissions (Used After Code Date 98123100). Used on Type No(s). 1138, 1149.

★ Included in Engine Gasket Set-See Ref. 358.
● Included in Carburetor Overhaul Kit-See Ref. 121.

△ Included in Valve Gasket Set-See Ref. 1095.

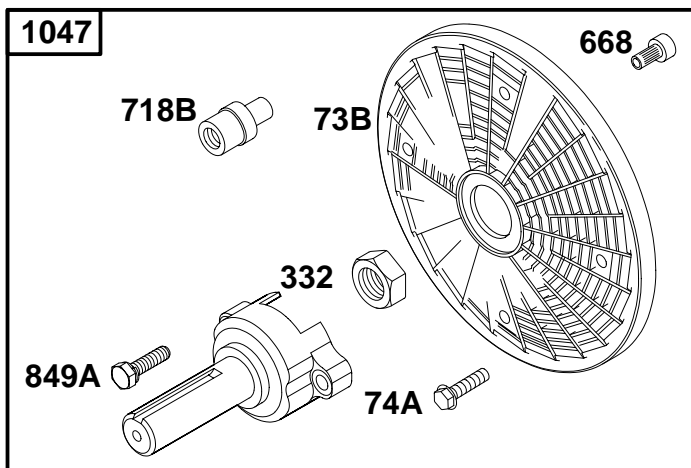
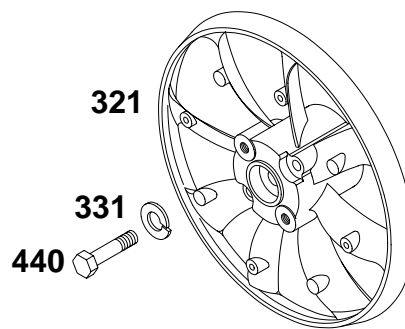
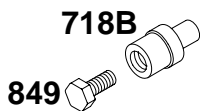
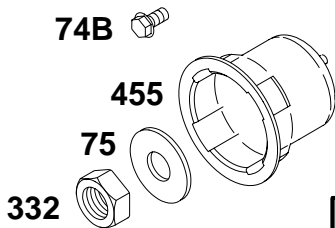
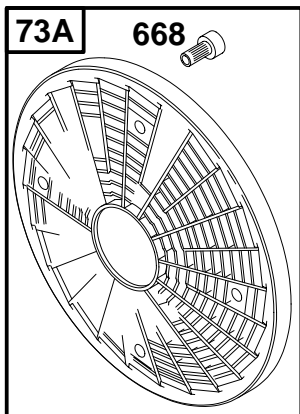


REF. NO.	PART NO.	DESCRIPTION	REF. NO.	PART NO.	DESCRIPTION	REF. NO.	PART NO.	DESCRIPTION
23	808766	Flywheel (Steel Ring Gear) Note 808774 Flywheel (Steel Ring Gear) Used on Type No(s). 1232, 1293. 808770 Flywheel (Steel Ring Gear) Used on Type No(s). 1057, 1110, 1236, 1278, 1295.	23A	690892	Flywheel (Aluminum Ring Gear) Note 690891 Flywheel (Aluminum Ring Gear) Used on Type No(s). 1232, 1293. 692158 Flywheel (Aluminum Ring Gear) Used on Type No(s). 1057, 1278, 1295.	165	693148	Nut (Ring Gear)
			23B	690889	Flywheel (For Rewind Starter)	363	19203	Flywheel Puller
			73	690478	Screen-Rotating	563	805026	Screw (Debris Screen Guard)
			74	691655	Screw (Rotating Screen)	695	693109	Screw (Ring Gear)
						726		Gear-Ring (Steel) (See Reference 23 for Service)
						726A	807805	Gear-Ring (Aluminum)
						949	690475	Guard-Debris Screen

★ Included in Engine Gasket Set-See Ref. 358.
● Included in Carburetor Overhaul Kit-See Ref. 121.

△ Included in Valve Gasket Set-See Ref. 1095.

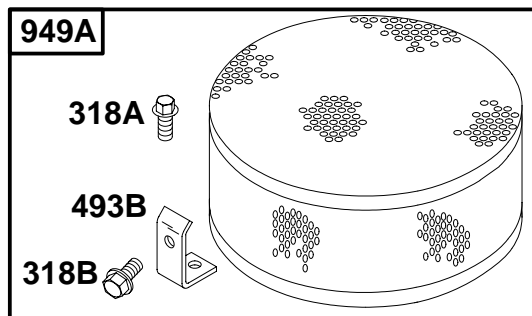
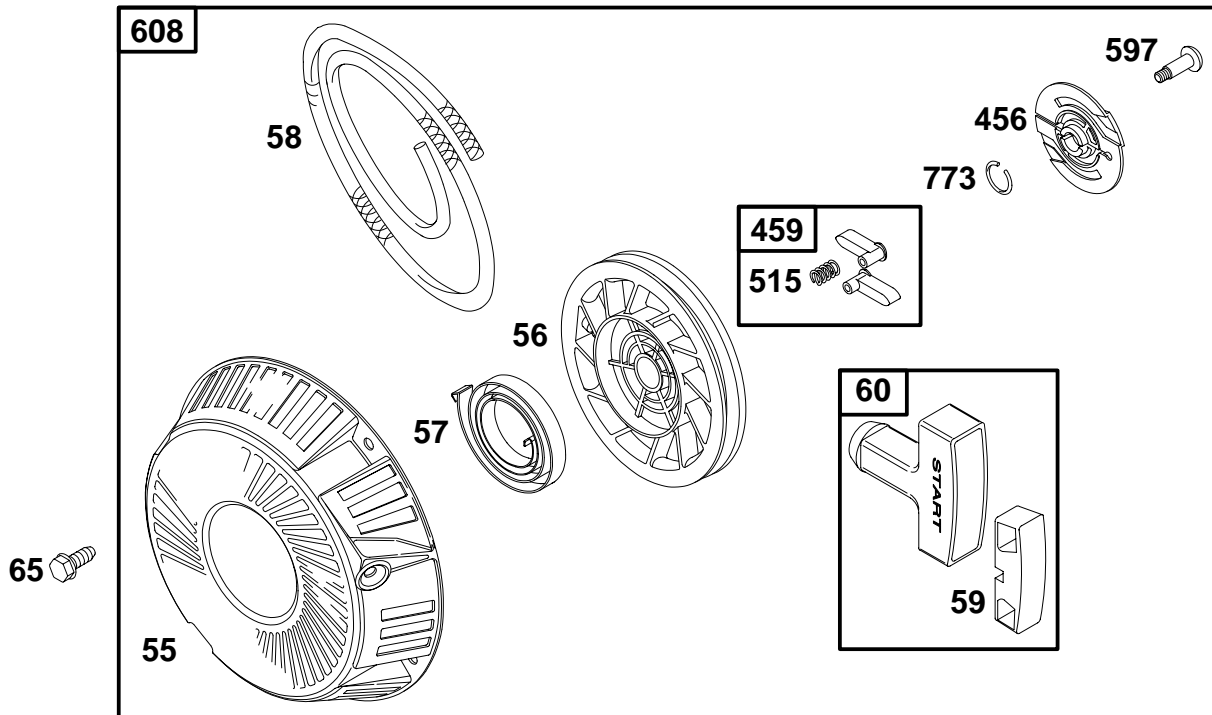
303400 to 303499



REF. NO.	PART NO.	DESCRIPTION	REF. NO.	PART NO.	DESCRIPTION	REF. NO.	PART NO.	DESCRIPTION
73A	494439	Screen—Rotating (Flush)	321	690379	Fan—Booster	668	691500	Spacer
73B	690749	Screen—Rotating (With Stub Shaft Hole)	331	691075	Washer (Booster Fan)	718B	690740	Pin—Locating
74A	805447	Screw (Rotating Screen)	440	690335	Screw (Booster Fan)	849	690342	Screw (Stub Shaft)
74B	805025	Screw (Rotating Screen)	455	691517	Cup—Flywheel (Used After Code Date 93072500).	849A	691088	Screw (Stub Shaft)
75	691490	Washer (Flywheel)	Note			1047	807867	Shaft—Stub
			805153 Cup—Flywheel (Used Before Code Date 93072600).					

★ Included in Engine Gasket Set—See Ref. 358.
 ● Included in Carburetor Overhaul Kit—See Ref. 121.

△ Included in Valve Gasket Set—See Ref. 1095.

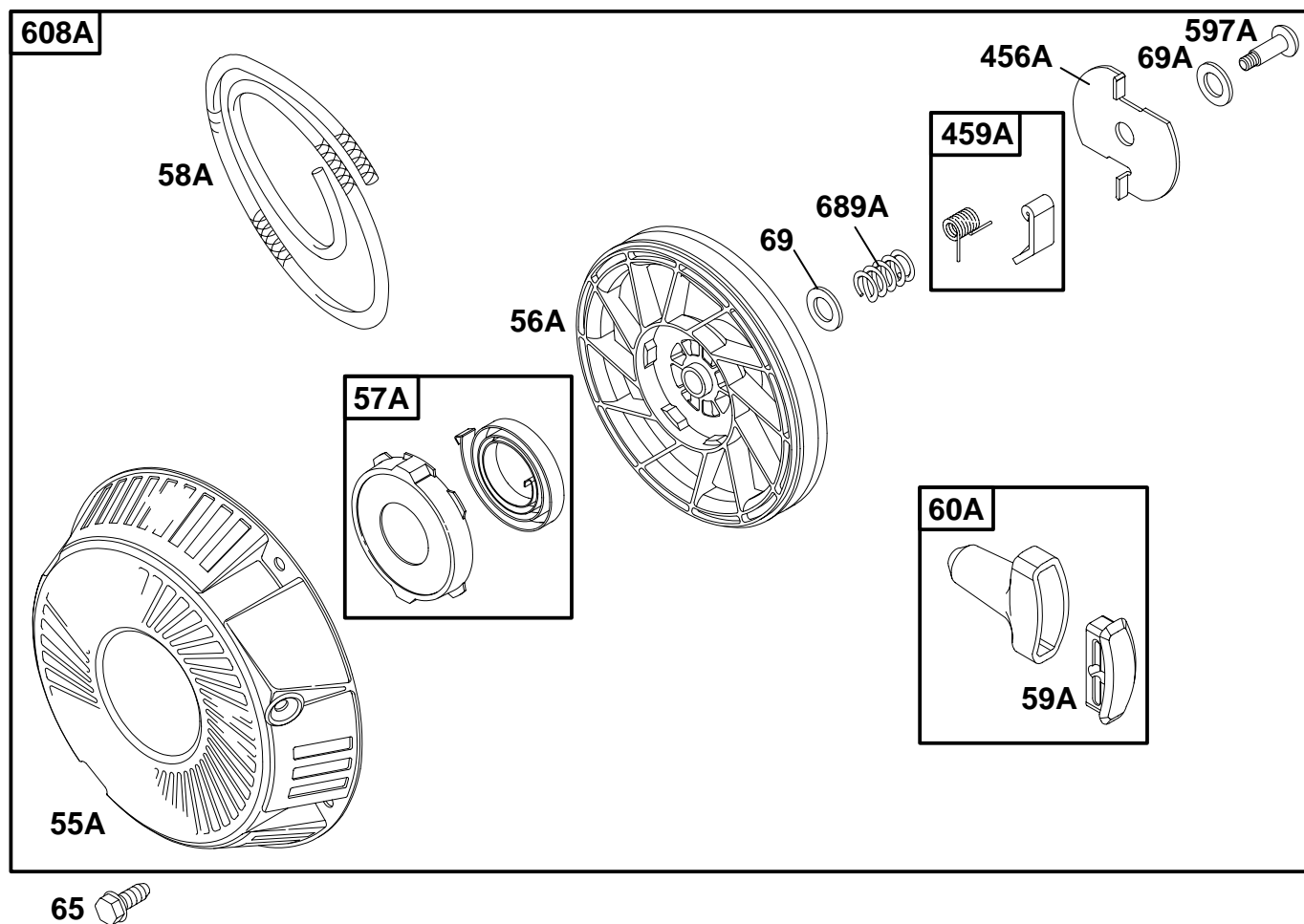


REF. NO.	PART NO.	DESCRIPTION	REF. NO.	PART NO.	DESCRIPTION	REF. NO.	PART NO.	DESCRIPTION
55	691568	Housing-Rewind Starter	65	692539	Screw (Rewind Starter)	597	690876	Screw (Pawl Friction Plate)
56	805949	Pulley-Starter	318A	805026	Screw (Mounting Bracket)	608	808087	Starter-Rewind (Used After Code Date 93072500).
57	805951	Spring-Rewind Starter	318B	806870	Screw (Mounting Bracket)	773	690875	Retainer
58	66574	Rope-Starter (Cut to Required Length)	456	691529	Plate-Pawl Friction	949A	808226	Guard-Debris Screen (Used on Engines with Electric Start Only)
59	805957	Insert-Grip	459	808166	Pawl-Ratchet			
60	808167	Grip-Starter Rope	493B	691503	Bracket-Mounting			
			515	691528	Spring-Pawl			

★ Included in Engine Gasket Set-See Ref. 358.
● Included in Carburetor Overhaul Kit-See Ref. 121.

△ Included in Valve Gasket Set-See Ref. 1095.

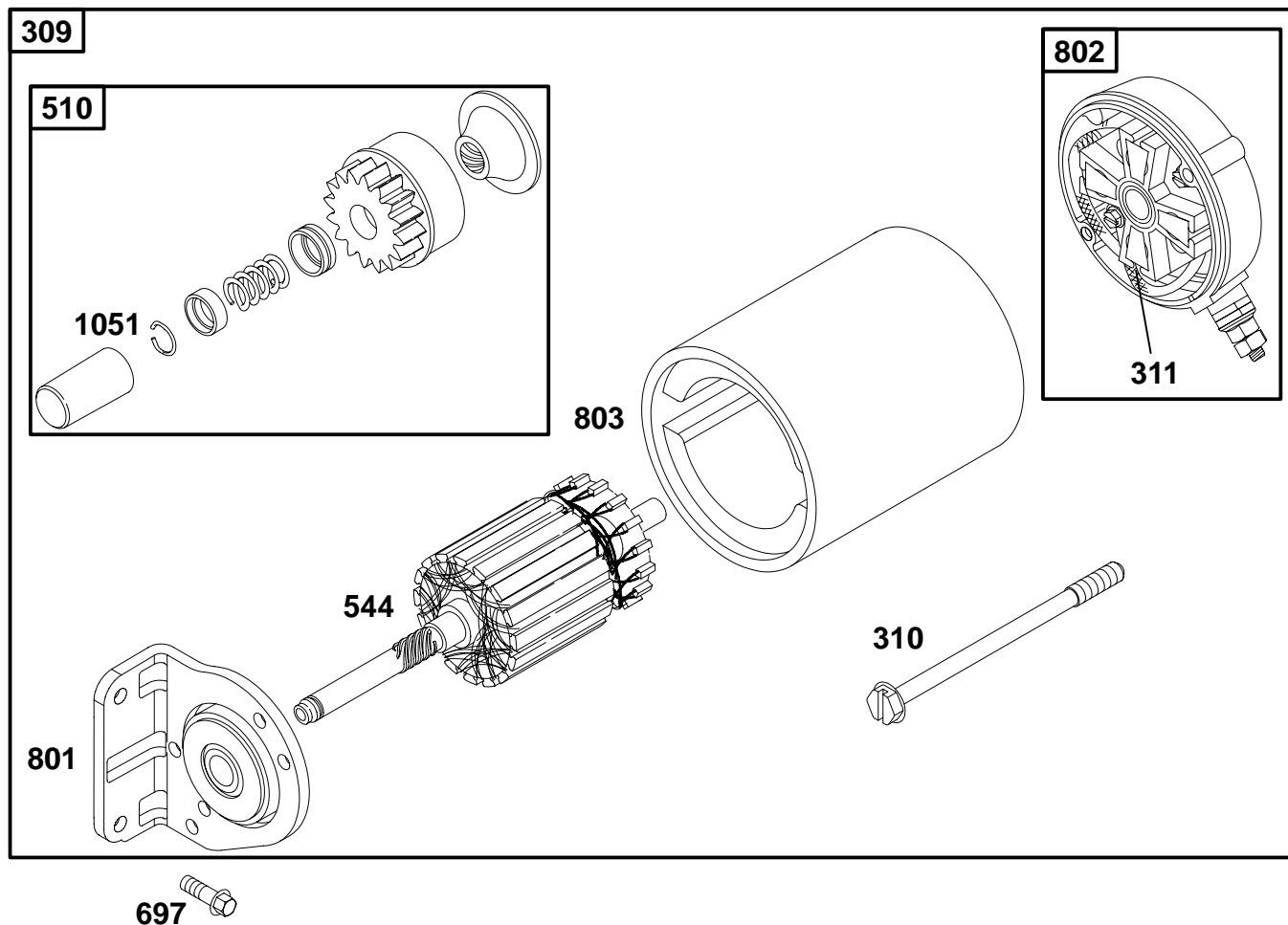
303400 to 303499



REF. NO.	PART NO.	DESCRIPTION	REF. NO.	PART NO.	DESCRIPTION	REF. NO.	PART NO.	DESCRIPTION
55A	492193	Housing—Rewind Starter	58A	66894	Rope—Starter (Cut To Required Length)	456A	224228	Plate—Pawl Friction
56A	280918	Pulley—Starter	59A	490653	Insert—Grip	459A	492431	Pawl—Ratchet
		Note	60A	490652	Grip—Starter Rope	597A	94463	Screw (Pawl Friction Plate)
		281235 Pulley—Starter Used on Type No(s). 0448.	65	692539	Screw (Rewind Starter)	608A	808152	Starter—Rewind (Used Before Code Date 93072600).
57A	492194	Spring—Rewind Starter	69	94464	Washer (Starter Clutch)	689A	262564	Spring—Friction
			69A	94462	Washer (Starter Clutch)			

★ Included in Engine Gasket Set—See Ref. 358.
 ● Included in Carburetor Overhaul Kit—See Ref. 121.

△ Included in Valve Gasket Set—See Ref. 1095.

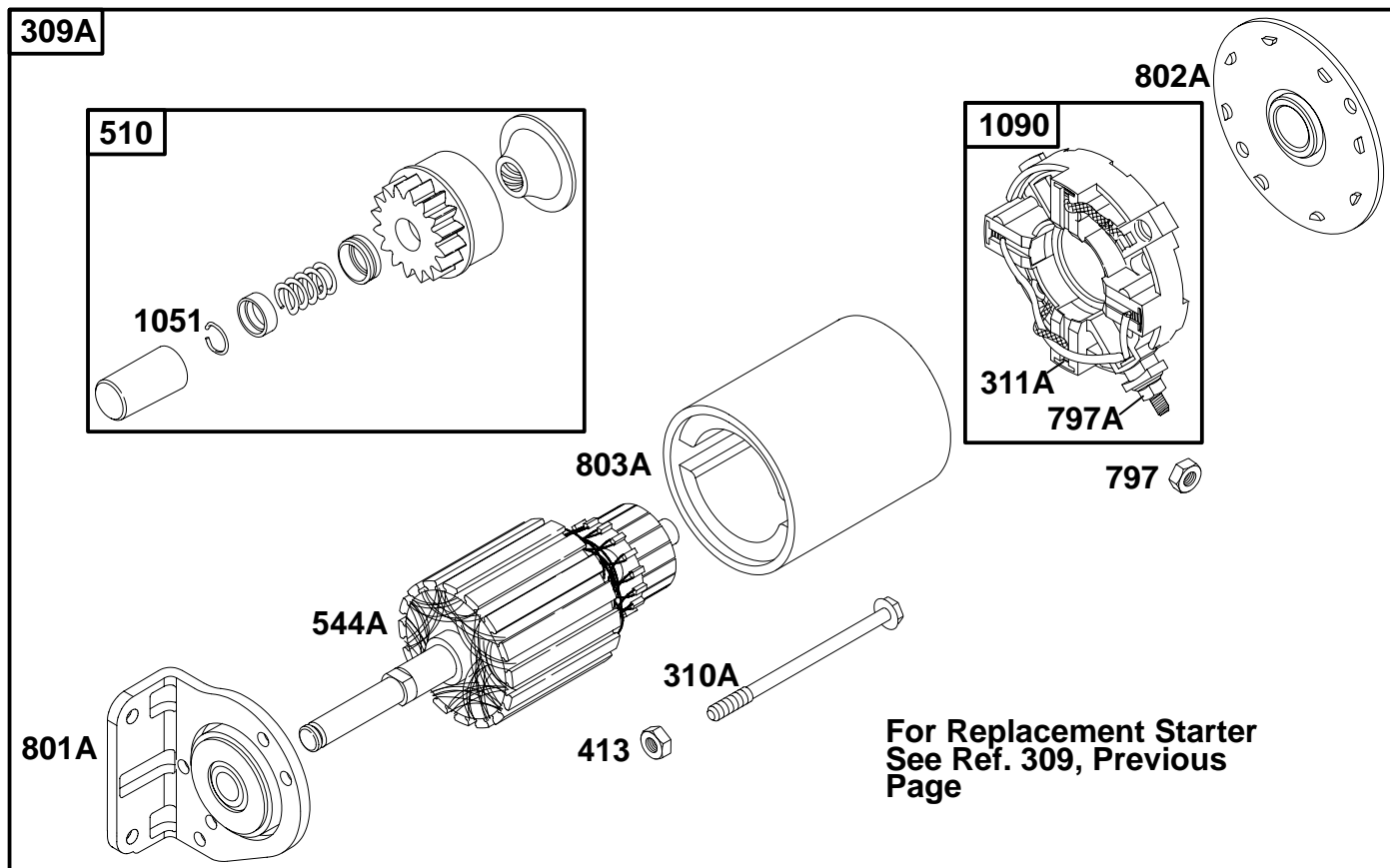


REF. NO.	PART NO.	DESCRIPTION	REF. NO.	PART NO.	DESCRIPTION	REF. NO.	PART NO.	DESCRIPTION
309	691564	Motor-Starter (Services Steel Ring Gear Only)	510	496881	Drive-Starter (Services Steel Ring Gear Only)	801	808777	Cap-Drive
310	496880	Bolt (Starter Motor) (4 1/4 Long)	544	690855	Armature-Starter	802	496813	Cap-End
311	496887	Brush Set	697	805247	Screw (Drive Cap)	803	690854	Housing-Starter
						1051	691124	Ring-Retaining

★ Included in Engine Gasket Set-See Ref. 358.
● Included in Carburetor Overhaul Kit-See Ref. 121.

△ Included in Valve Gasket Set-See Ref. 1095.

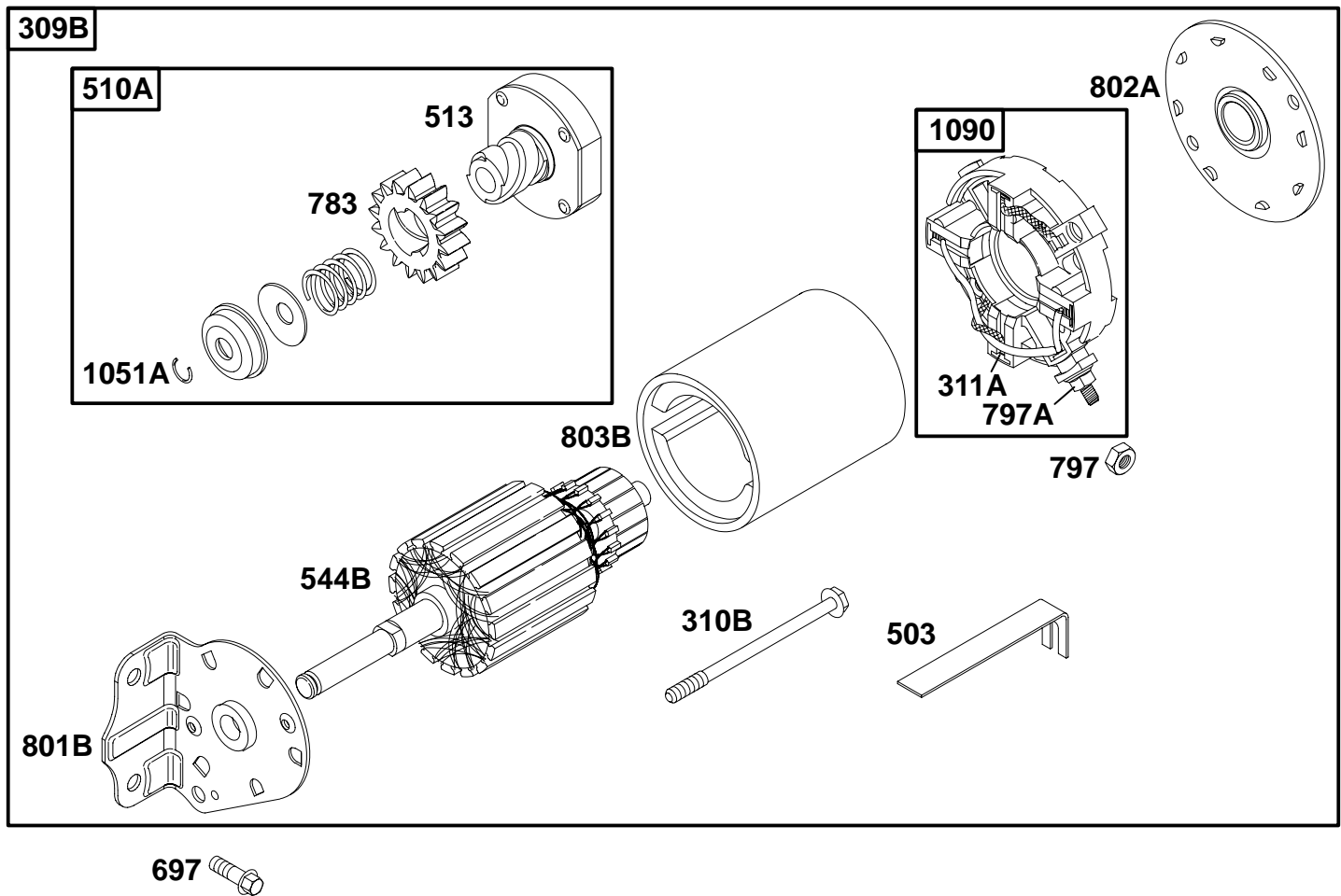
303400 to 303499



REF. NO.	PART NO.	DESCRIPTION	REF. NO.	PART NO.	DESCRIPTION	REF. NO.	PART NO.	DESCRIPTION
309A		Motor-Starter (Services Steel Ring Gear Only) (For Replacement Starter Motor See Ref. 309, Previous Page)	311A	497608	Brush Set	797	92278	Nut (Brush Retainer)
			413	693587	Nut (Starter Motor)	797A	693167	Nut (Brush Retainer)
310A	690323	Bolt (Starter Motor) (4 7/16 long)	510	496881	Drive-Starter (Services Steel Ring Gear Only)	801A	808778	Cap-Drive
			544A	693548	Armature-Starter	802A	497607	Cap-End
			697	805247	Screw (Drive Cap)	803A	693547	Housing-Starter
						1090	497605	Retainer-Brush
						1051	691124	Ring-Retaining

★ Included in Engine Gasket Set—See Ref. 358.
● Included in Carburetor Overhaul Kit—See Ref. 121.

△ Included in Valve Gasket Set—See Ref. 1095.

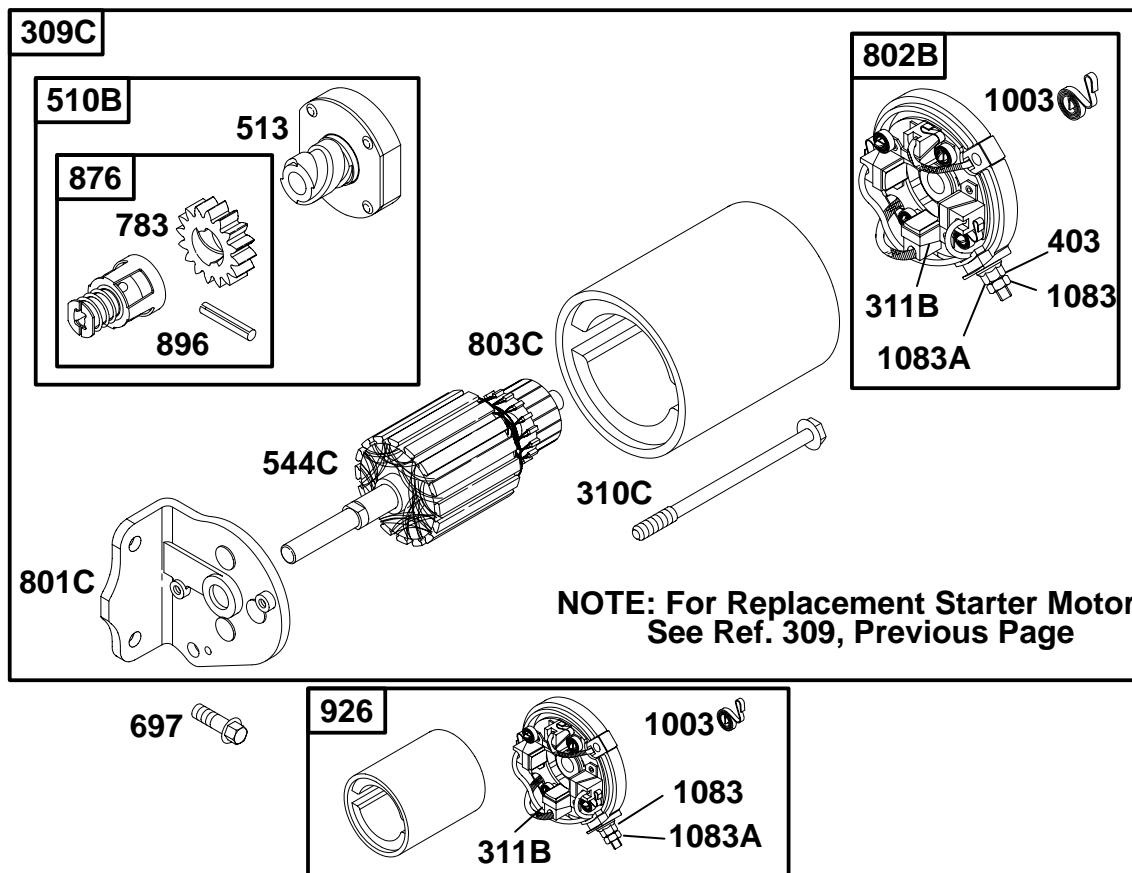


REF. NO.	PART NO.	DESCRIPTION	REF. NO.	PART NO.	DESCRIPTION	REF. NO.	PART NO.	DESCRIPTION
309B	499521	Motor-Starter (Services Aluminum Ring Gear Only)	513	398003	Clutch-Drive	797	92278	Nut (Brush Retainer)
310B	691263	Bolt (Starter Motor) (4 3/16 Long) (Starter Motor)	544B		Armature-Starter (Served By 499521 Starter Motor Only)	797A	693167	Nut (Brush Retainer)
311A	497608	Brush Set	697	805247	Screw (Drive Cap)	801B	691429	Cap-Drive
503	691532	Strap-Starter	783	693059	Gear-Pinion (Services Aluminum Ring Gear Only)	802A	497607	Cap-End
510A	497606	Drive-Starter				803B		Housing-Starter (Served By 499521 Starter Motor Only)
						1051A	263080	Ring-Retaining
						1090	497605	Retainer-Brush

★ Included in Engine Gasket Set—See Ref. 358.
● Included in Carburetor Overhaul Kit—See Ref. 121.

△ Included in Valve Gasket Set—See Ref. 1095.

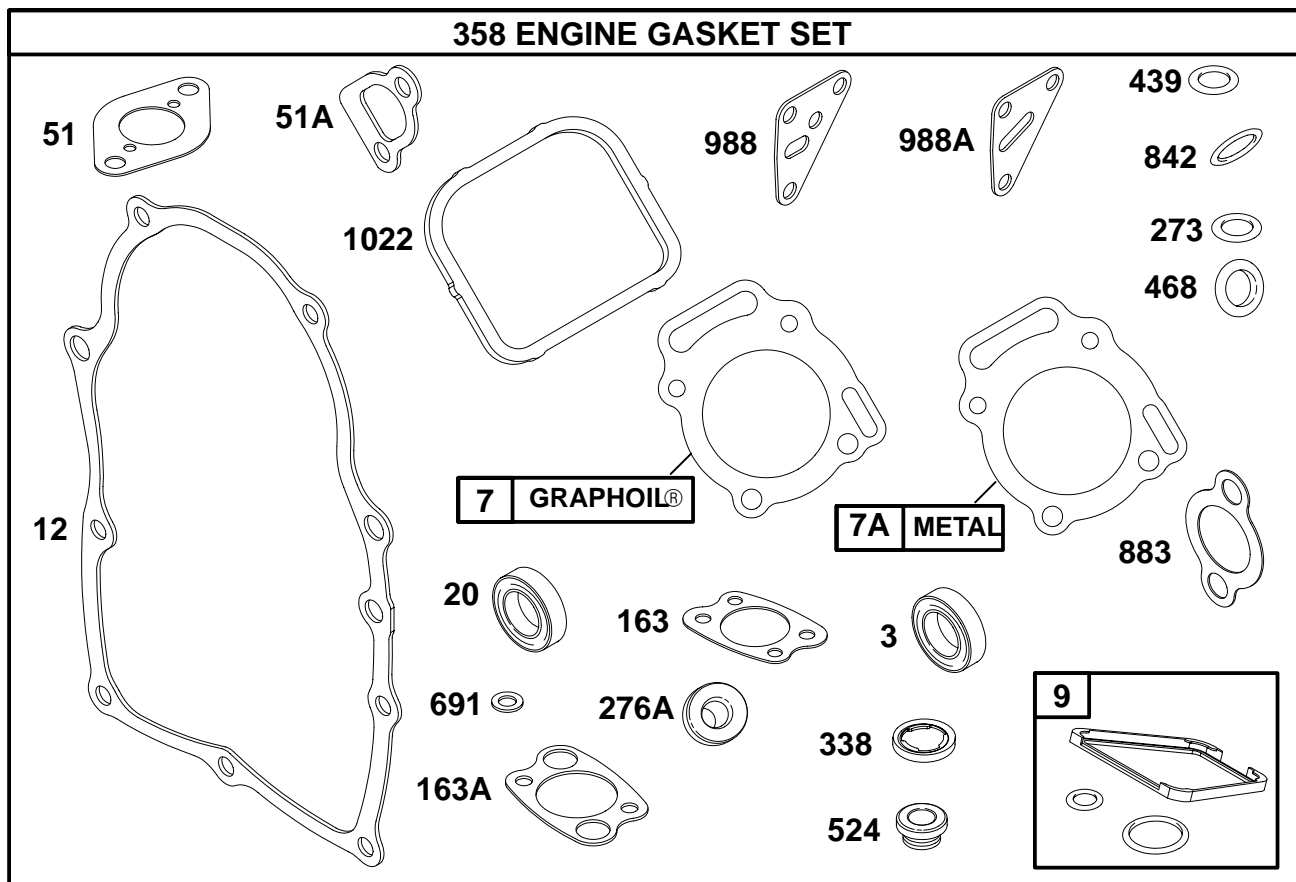
303400 to 303499



REF. NO.	PART NO.	DESCRIPTION	REF. NO.	PART NO.	DESCRIPTION	REF. NO.	PART NO.	DESCRIPTION
309C		Motor-Starter (Services Aluminum Ring Gear Only) (For Replacement Starter Motor, See Ref 309, Previous Pages)	510B	495878	Drive-Starter (For 4 3/8" Housing Length)	803C	494205	Housing-Starter (For 4 3/8" Housing Length)
310C	692329	Bolt (Starter Motor)	513	398003	Clutch-Drive			Note
311B	490311	Brush Set (For 4 9/16" Housing Length)	544C	490309	Armature-Starter			398892 Housing-Starter (For 4 9/16" Housing Length)
403	690288	Washer (End Cap)	697	805247	Screw (Drive Cap)	876	495877	Kit-Pinion Spring
			783	693059	Gear-Pinion (Services Aluminum Ring Gear Only)	896	94288	Pin-Drive Retainer
			801C	394856	Cap-Drive	926	498233	Kit-Housing/Cap (For 4 9/16" Housing Length)
			802B	494988	Cap-End (For 4 3/8" Housing Length)	1003	490316	Spring-Brush
						1083	93715	Nut (End Cap)
						1083A	94010	Nut (End Cap)

★ Included in Engine Gasket Set-See Ref. 358.
● Included in Carburetor Overhaul Kit-See Ref. 121.

△ Included in Valve Gasket Set-See Ref. 1095.

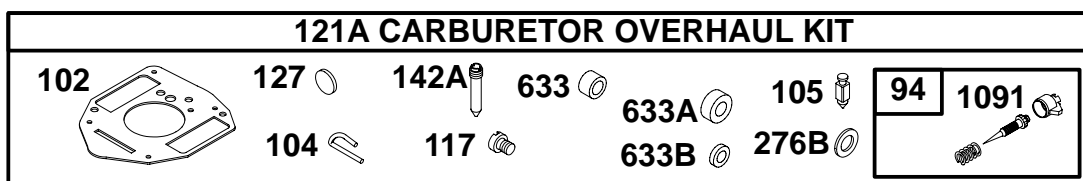
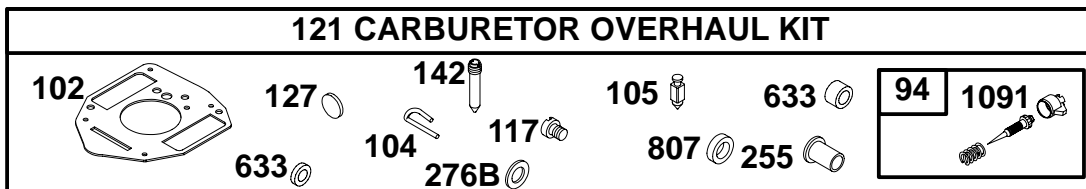
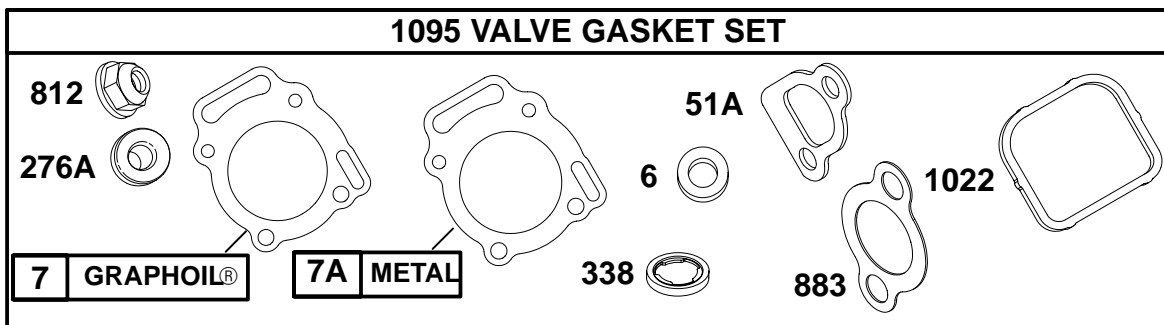


REF. NO.	PART NO.	DESCRIPTION	REF. NO.	PART NO.	DESCRIPTION	REF. NO.	PART NO.	DESCRIPTION
3	★805101	Seal—Oil (Magneto Side)	51A	★Δ805023	Gasket—Intake (Manifold To Head)	468	★690690	Seal—O Ring (Oil Pump Screen)
7	Δ★806085	Gasket—Cylinder Head (Graphoil)	163	★805655	Gasket—Air Cleaner	524	★693172	Seal—Dipstick Tube (Used After Code Date 98053100).
7A	Δ★807986	Gasket—Cylinder Head (Metal)	163A	★805003	Gasket—Air Cleaner	————— Note —————		
9	★807688	Gasket—Breather	273	★690681	Seal—O Ring (Oil Pump)	★281370 Seal—Dipstick Tube (Used Before Code Date 98060100).		
12	★805112	Gasket—Crankcase (Used Before Code Date 97050100).	276A	★Δ805420	Washer—Sealing	691	★690680	Seal—Governor Shaft
20	★805049	Seal—Oil (PTO Side)	338	★Δ691312	Gasket—Dipstick	842	★805386	Seal—O Ring
51	★805700	Gasket—Intake (Manifold To Carburetor)	358	808390	Gasket Set—Engine (Used Before Code Date 97050100).	883	★Δ805024	Gasket—Exhaust
			439	★805198	Seal—O Ring (Crankcase Cover/Sump)	988	★805250	Gasket—Oil Adapter
						988A	★690687	Gasket—Oil Adapter
						1022	★Δ806039	Gasket—Rocker Cover

★ Included in Engine Gasket Set—See Ref. 358.
 ● Included in Carburetor Overhaul Kit—See Ref. 121.

Δ Included in Valve Gasket Set—See Ref. 1095.

303400 to 303499



REF. NO.	PART NO.	DESCRIPTION	REF. NO.	PART NO.	DESCRIPTION	REF. NO.	PART NO.	DESCRIPTION
6	Δ805193	Washer (Cylinder Head) (Used Before Code Date 94050100).	121	809022	Kit-Carburetor Overhaul (Used After Code Date 00071100). Note 808273 Kit-Carburetor Overhaul (Used After Code Date 94123100 and Before Code Date 00071200). 807850 Kit-Carburetor Overhaul (Used Before Code Date 95010100).	127	●690727	Plug-Welch
7	Δ★806085	Gasket-Cylinder Head (Graphoil) (Used After Code Date 96033100).	121A	809023	Kit-Carburetor Overhaul (Used After Code Date 00071100). Used on Type No(s). 1409, 1410. Note 808966 Kit-Carburetor (Used Before Code Date 00071200). Used on Type No(s). 1409, 1410	142	●690725	Nozzle-Carburetor
7A	Δ★807986	Gasket-Cylinder Head (Metal) (Used Before Code Date 96040100).				142A	●806860	Nozzle-Carburetor
51A	★Δ805023	Gasket-Intake (Manifold To Head)				255	●690721	Bushing-Choke Shaft
94	●808257	Kit-Idle Mixture				276A	★Δ805420	Washer-Sealing
102	●805541	Gasket-Carburetor Body				276B	●690724	Washer-Sealing
104	●690723	Pin-Float Hinge				338	★Δ691312	Gasket-Dipstick
105	●805547	Valve-Float Needle (Pump Feed) Note ●805620 Valve-Float Needle (Gravity Feed)				633	●806131	Seal-Choke/Throttle Shaft
117	●690862	Jet-Main				633A	●806864	Seal-Choke/Throttle Shaft
						633B	●690722	Seal-Choke/Throttle Shaft
						807	●805557	Spacer-Throttle
						812	Δ805019	Nut (Rocker Arm Cover)
						883	★Δ805024	Gasket-Exhaust
						1022	★Δ806039	Gasket-Rocker Cover
						1091	●691516	Cap-Limiter
						1095	808392	Gasket Set-Valve (Used After Code Date 96033100). Note 807990 Gasket Set-Valve (Used Before Code Date 96040100).

★ Included in Engine Gasket Set-See Ref. 358.
● Included in Carburetor Overhaul Kit-See Ref. 121.

Δ Included in Valve Gasket Set-See Ref. 1095.