

Illustrated Parts List

Model Series

294700 to 294799

TYPE NUMBERS

0015, 0016, 0017,
0033, 0035, 0100,
0102, 0108, 0109,
0111 through 0119,
0316, 0320,
0330 through 0335,
0400 through 0412,
0414 through 0420,
0429 through 0433,
0435, 1034, 1035,
1100, 1102, 1110,
1117 through 1138,
1140 through 1147.

TO FIND

THE CORRECT NUMBER OF THE PART YOU NEED: FOLLOW THE INSTRUCTIONS BELOW

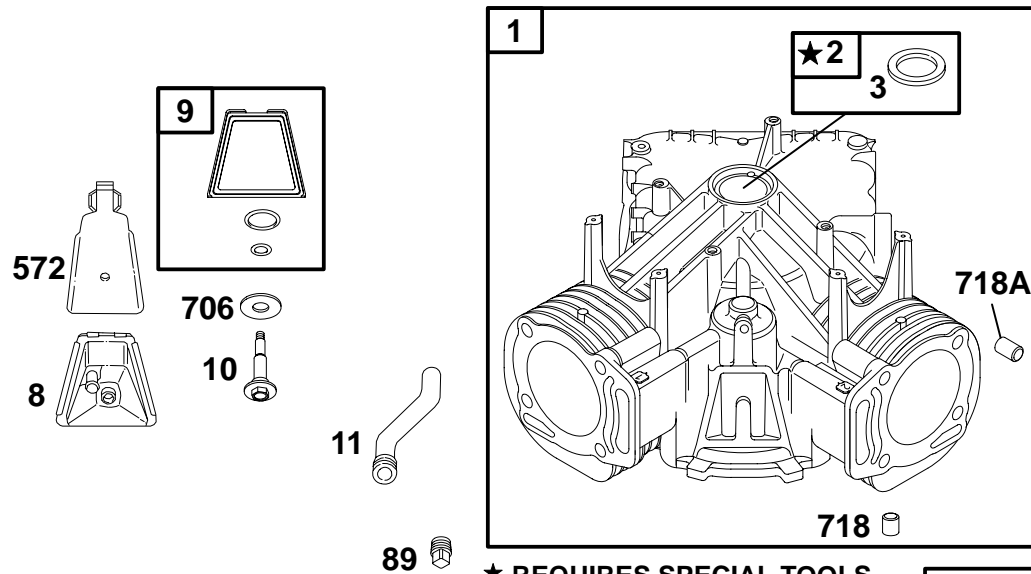
- A. Refer to Engine Model, Type and Code Number that is stamped on the blower housing of engine. Engine type numbers such as 0123 01 are listed only as 0123 in most instances. The two digits (01 or 02, etc.) to the right of the space may be required for more accurate parts identification in some instances. Select the Illustrated Parts List covering the correct Model Series and Type Number.
- B. Refer to the Illustrations and compare the original part with Illustration. The number next to the illustration is the Reference Number. Assemblies include all parts shown in frames. All parts shown in assembly frames having individual reference numbers can be purchased separately.
- C. After the Reference Number has been identified, refer to the Numerical text, where Reference and Primary Part Number are listed. **THE PRIMARY PART IS USED ON ALL TYPE NUMBERS EXCEPT THOSE TYPE NUMBERS UNDER "NOTE."**
- D. If a "Note" appears below the Primary Part Number, it means that this part differs from the Primary Part for certain types. If your Type number is listed under "Note," order the part referred to at the "Note."
- E. If your Engine Type Number does not appear after any part number listed under "Note," use the Primary Part Number.
- F. For Engine Type Numbers not covered by this book, check other Parts Lists having the same engine model or contact your source of supply.



PRINTED IN U.S.A.

COPYRIGHT by BRIGGS & STRATTON CORPORATION
All rights reserved. No part of this material may be reproduced or transmitted, in any form or by any means, electronic or mechanical, including photocopying, recording or by any information storage and retrieval system, without permission in writing from Briggs & Stratton Corporation.

294700 to 294799



1019 LABEL KIT

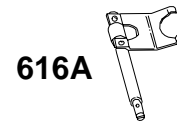
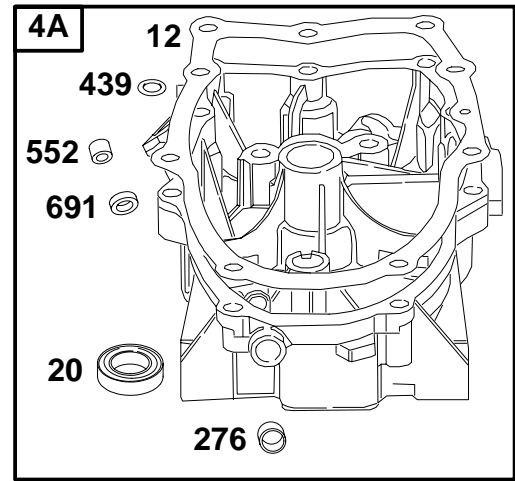
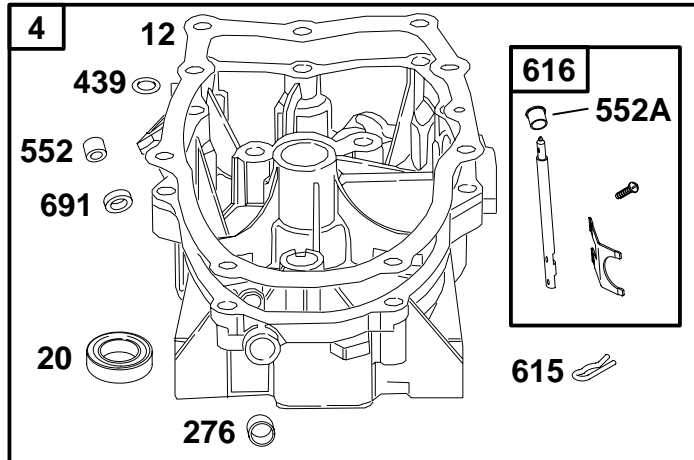
1058 OWNER'S MANUAL

★ **REQUIRES SPECIAL TOOLS TO INSTALL. SEE REPAIR INSTRUCTION MANUAL.**

REF. NO.	PART NO.	DESCRIPTION	REF. NO.	PART NO.	DESCRIPTION	REF. NO.	PART NO.	DESCRIPTION
1	692543	Cylinder Assembly (Used After Code Date 97043000). ———— Note ———— 807511 Cylinder Assembly (Used Before Code Date 97050100).	3	★805101	Seal—Oil (Magneto Side)	572	690686	Baffle—Breather
2	808534	Kit—Bushing/Seal (Magneto Side) (Used After Code Date 97043000). ———— Note ———— 807687 Kit—Bushing/Seal (Magneto Side) (Used Before Code Date 97050100).	8	807893	Breather Assembly	706	805484	Washer (Breather Assembly)
			9	★807688	Gasket—Breather	718	690684	Pin—Locating
			10	690751	Screw (Breather Assembly) (Used After Code Date 90111400). ———— Note ———— 805194 Screw (Breather Assembly) (Used Before Code Date 90111500).	718A	805102	Pin—Locating (Used Before Code Date 90091100).
			11	806083	Tube—Breather	1019	808035	Kit—Label
			89	805059	Plug—Oil	1058	274791	Owner's Manual (Emission) ———— Note ———— 272104 Owner's Manual (Non Emission)

★ Included in Engine Gasket Set—Ref. No. 358.
 Δ Included in Valve Gasket Set—Ref. No. 1095.

● Included in Carburetor Overhaul Kit—Ref. No. 121.
 ◆ Included in Carburetor Gasket Set—Ref. No. 977.

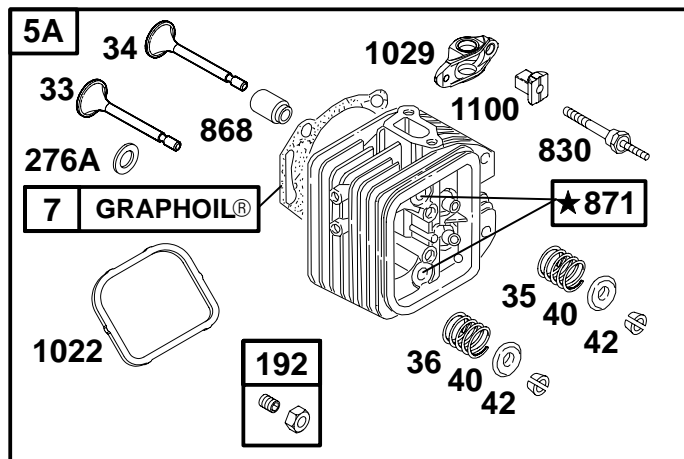
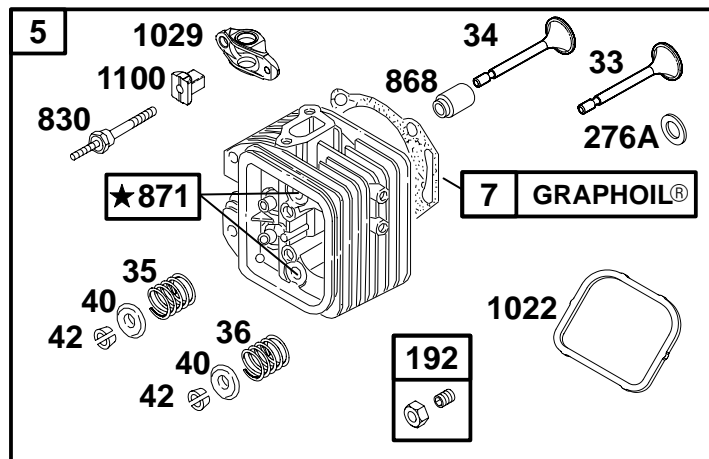
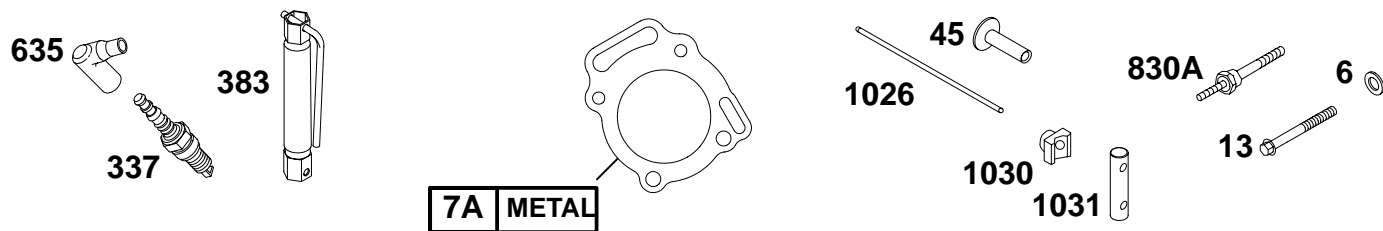


REF. NO.	PART NO.	DESCRIPTION	REF. NO.	PART NO.	DESCRIPTION	REF. NO.	PART NO.	DESCRIPTION
4	808846	Sump-Engine (Used After Code Date 99072000).	15	94239	Plug-Oil Drain	552B	690702	Bushing-Governor Crank (Used Before Code Date 99072100).
4A	808504	Sump-Engine (Used Before Code Date 99072100).	20	★805049	Seal-Oil (PTO Side)	615	691550	Retainer-Governor Shaft (Used After Code Date 99072000).
12	★806190	Gasket-Crankcase (Used After Code Date 97043000).	22	692540	Screw (Crankcase Cover/ Sump)	615A	805417	Retainer-Governor Shaft
Note			276	690704	Washer-Sealing	616	806685	Crank-Governor
	691684	Gasket Crankcase (Used Before Code Date 97050100)	439	692154	Seal-O Ring (Crankcase Cover/Sump)	616A	690899	Crank-Governor (Used Before Code Date 99072100).
			552	690701	Bushing-Governor Crank	691	690680	Seal-Governor Shaft
			552A	806686	Bushing-Governor Crank (Used After Code Date 99072000).			

★ Included in Engine Gasket Set-Ref. No. 358.
 Δ Included in Valve Gasket Set-Ref. No. 1095.

● Included in Carburetor Overhaul Kit-Ref. No. 121.
 ◆ Included in Carburetor Gasket Set-Ref. No. 977.

294700 to 294799



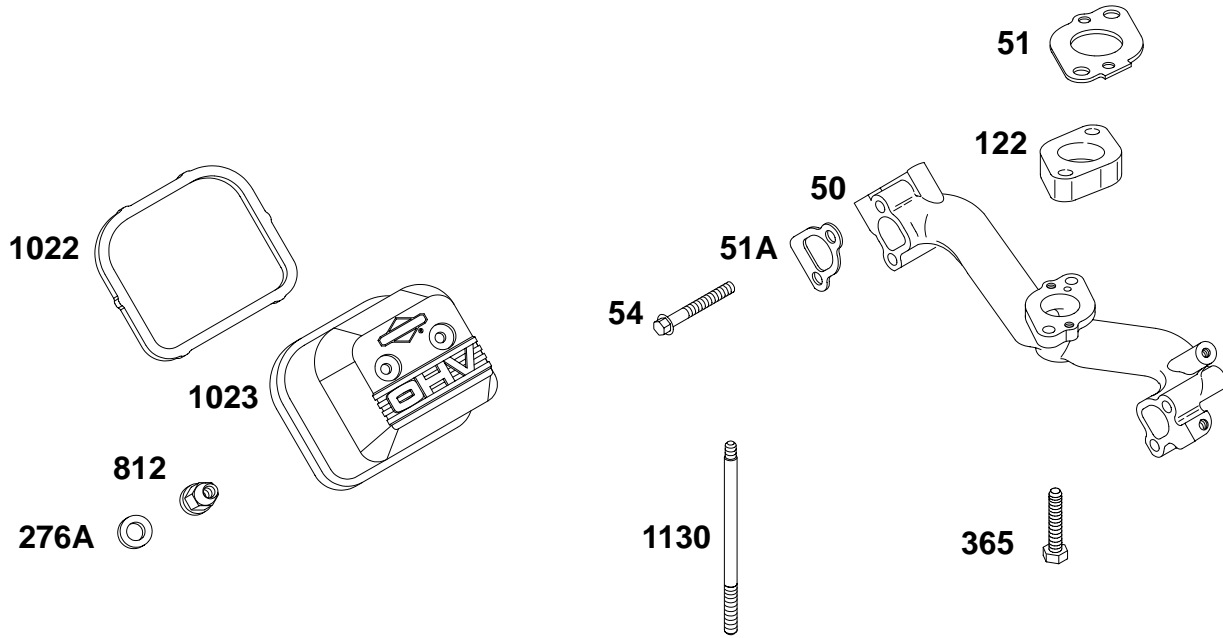
★ **REQUIRES SPECIAL TOOLS TO INSTALL. SEE REPAIR INSTRUCTION MANUAL.**



REF. NO.	PART NO.	DESCRIPTION	REF. NO.	PART NO.	DESCRIPTION	REF. NO.	PART NO.	DESCRIPTION
5	808381	Head-Cylinder (Cylinder 1)	36	692084	Spring-Valve (Exhaust) (Used After Code Date 94011700).	830A	691497	Stud (Rocker Arm) (Used Before Code Date 96040100).
5A	808382	Head-Cylinder (Cylinder 2)			Note ———	868	Δ805094	Seal-Valve
6	Δ805193	Washer (Cylinder Head) (Used Before Code Date 94050100).			808159 Spring-Valve (Exhaust) (Used Before Code Date 94011800).	871	805084	Bushing-Valve Guide
7	★Δ806085	Gasket-Cylinder Head (Used After Code Date 96033100).	40	805092	Retainer-Valve	1022	★Δ806039	Gasket-Rocker Cover
7A	Δ★807986	Gasket-Cylinder Head (Used Before Code Date 96040100).	42	807683	Keeper-Valve	1026	805352	Rod-Push (Intake) (Steel)
13	805097	Screw (Cylinder Head)	45	262679	Tappet-Valve			Note ———
33	807681	Valve-Exhaust	192	807623	Adjuster-Rocker Arm			805617 Rod-Push (Exhaust) (Aluminum)
34	807680	Valve-Intake	276A	★Δ805420	Washer-Sealing	1029	691543	Arm-Rocker (Used After Code Date 96033100).
35	692084	Spring-Valve (Intake) (Used After Code Date 94011700).	337	491055	Sparkplug			Note ———
		Note ———			496018 Sparkplug (Used on Type No(s). 0414, 0478, 1114, 1155, 1178).			692103 Arm-Rocker (Used Before Code Date 96040100 and After Code Date 94011700).
		808159 Spring-Valve (Intake) (Used Before Code Date 94011800).	383	19374	Wrench-Sparkplug			808159 Arm-Rocker (Used Before Code Date 94011800).
			635	805529	Boot-Sparkplug	1030	691496	Support-Rocker Arm
			830	691544	Stud (Rocker Arm) (Used After Code Date 96033100).	1031	690693	Shaft-Rocker Arm
						1100	690973	Pivot-Rocker Arm

★ Included in Engine Gasket Set-Ref. No. 358.
 Δ Included in Valve Gasket Set-Ref. No. 1095.

● Included in Carburetor Overhaul Kit-Ref. No. 121.
 ◆ Included in Carburetor Gasket Set-Ref. No. 977.

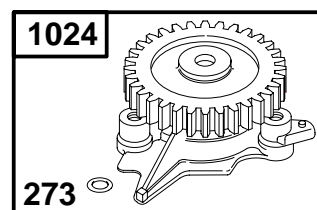
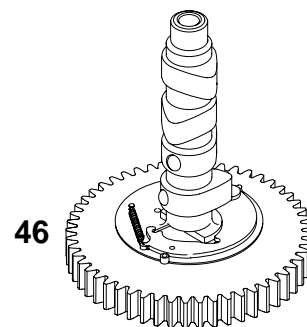
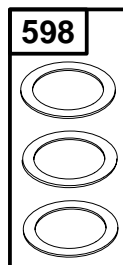
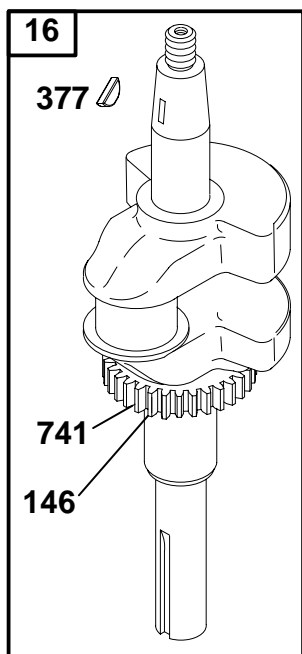
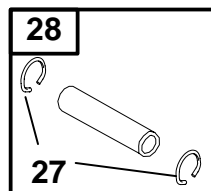
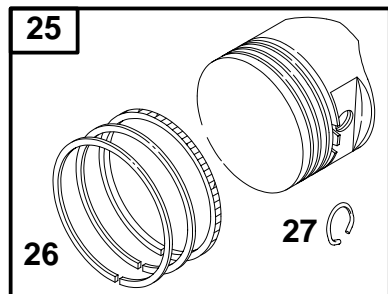
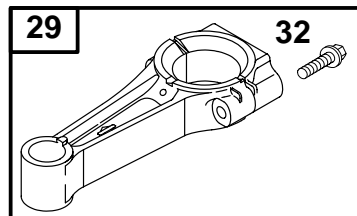


REF. NO.	PART NO.	DESCRIPTION	REF. NO.	PART NO.	DESCRIPTION	REF. NO.	PART NO.	DESCRIPTION
50	690754	Manifold-Intake	276A	Δ★805420	Washer-Sealing	1022	Δ★806039	Gasket-Rocker Cover
51	★805700	Gasket-Intake (Manifold/Carburetor Spacer)	365	690695	Screw (Carburetor)	1023	691494	Cover-Rocker Arm
51A	Δ★805023	Gasket-Intake (Manifold/Heads)	812	805019	Nut (Rocker Arm Cover)			Note
54	690676	Screw (Intake Manifold)						691558 Cover- Rocker Arm (Used on Cylinder 1 Fuel Pump Applications)
122	690753	Spacer-Carburetor				1130	690746	Stud (Intake Manifold)
		Note						
		690692 Spacer- Carburetor Used on Type No(s). 0015, 0016, 0017, 0033, 0035, 0100, 0102, 0108, 0109, 0111, 0112, 0113, 0114, 0116, 0117, 0118, 0119.						

★ Included in Engine Gasket Set-Ref. No. 358.
 Δ Included in Valve Gasket Set-Ref. No. 1095.

● Included in Carburetor Overhaul Kit-Ref. No. 121.
 ◆ Included in Carburetor Gasket Set-Ref. No. 977.

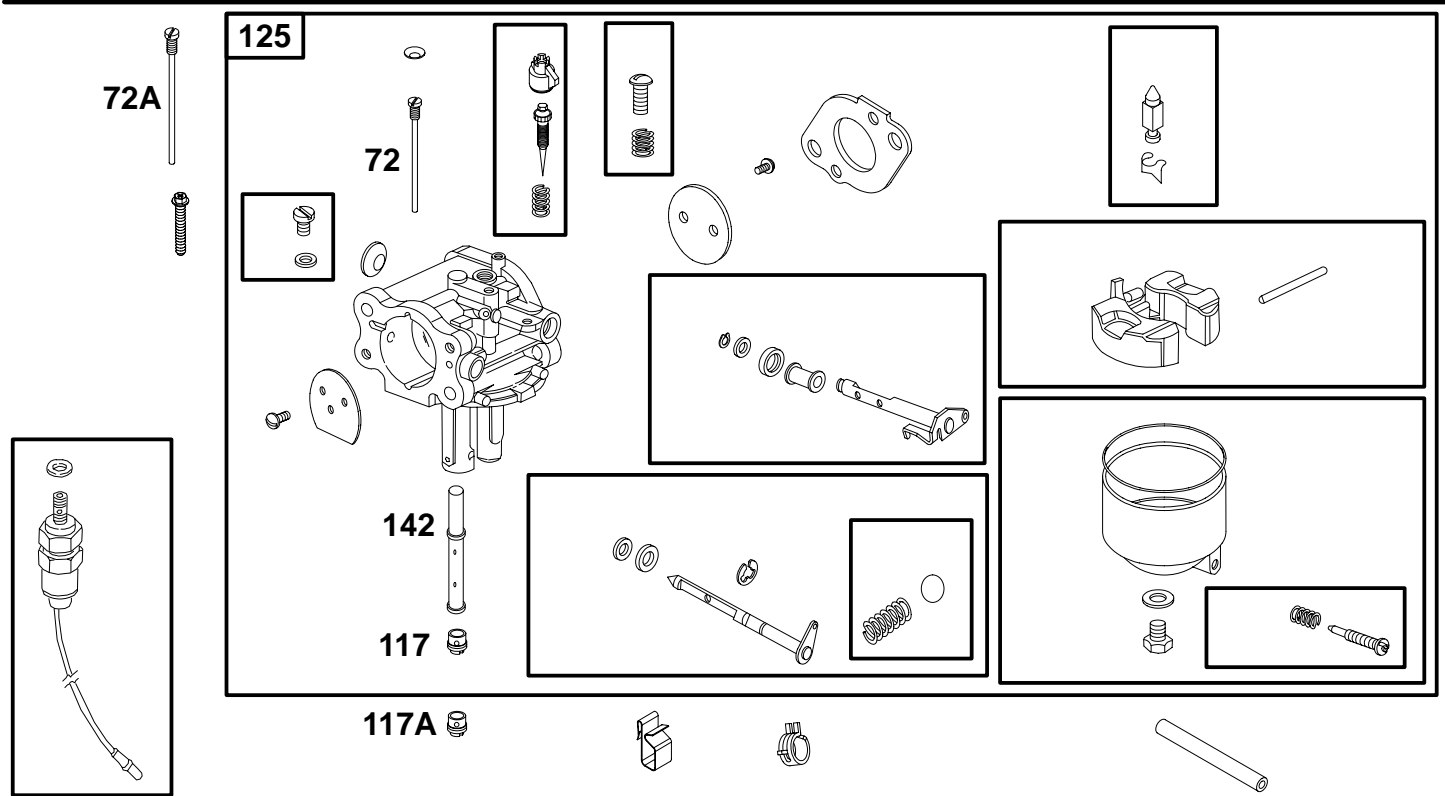
294700 to 294799



REF. NO.	PART NO.	DESCRIPTION	REF. NO.	PART NO.	DESCRIPTION	REF. NO.	PART NO.	DESCRIPTION
16	692159	Crankshaft (Used After Code Date 97043000). Note — 807586 Crankshaft (Used Before Code Date 970501000). 807804 Crankshaft Used on Type No(s). 0118, 0330, 0429.	26	807620	Ring Set (Standard) Note — 807808 Ring Set (.010" O.S.) 807810 Ring Set (.020" O.S.) 807812 Ring Set (.030" O.S.)	146	94196	Key—Timing
25	807619	Piston Assembly (Standard) Note — 807807 Piston Assembly (.010" O.S.) 807809 Piston Assembly (.020" O.S.) 807811 Piston Assembly (.030" O.S.)	27	690683	Lock—Piston Pin	273	690681	Seal—O Ring (Oil Pump)
			28	807621	Pin—Piston (Standard)	357	91540	Key—Drive Pulley
			29	807900	Rod—Connecting (Standard) Note — 807803 Rod— Connecting (.020" Undersize)	377	806066	Key—Woodruff (Used After Code Date 95022800). Note — 808095 Key—Woodruff (Used Before Code Date 95030100).
			32	690698	Screw (Connecting Rod)	596	691492	Screw (Oil Pump)
			46	691557	Camshaft	598	807625	Shim—End Play
						741	691530	Gear—Timing
						1017	690878	Screen—Oil Pump
						1024	693186	Pump—Oil
						1025	690689	Spool—Governor

★ Included in Engine Gasket Set—Ref. No. 358.
 Δ Included in Valve Gasket Set—Ref. No. 1095.

● Included in Carburetor Overhaul Kit—Ref. No. 121.
 ◆ Included in Carburetor Gasket Set—Ref. No. 977.

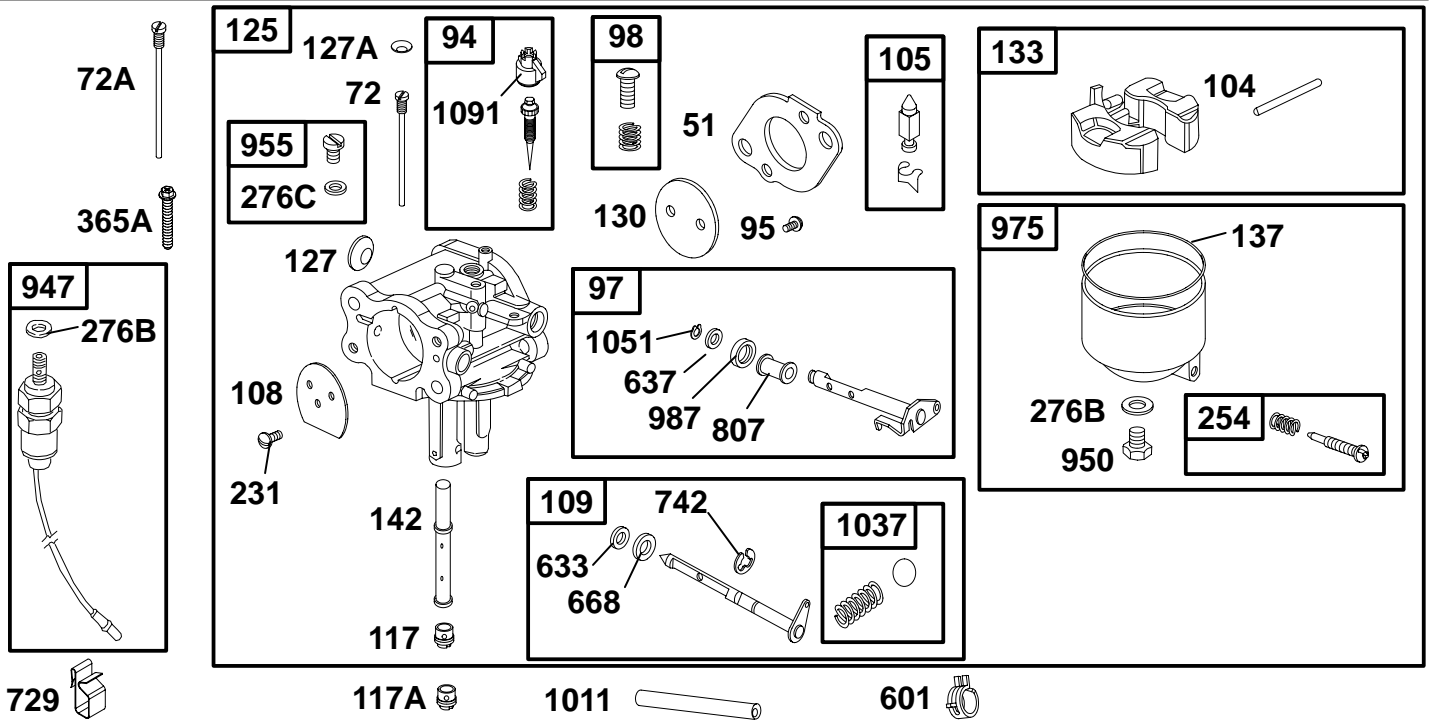


REF. NO.	PART NO.	DESCRIPTION	REF. NO.	PART NO.	DESCRIPTION	REF. NO.	PART NO.	DESCRIPTION
72	●806488	Tube-Jet (Used After Code Date 98062600). ———— Note ——— ●690755 Tube-Jet (Used After Code Date 92040600 and Before Code Date 98062700). ●806480 Tube-Jet (Used Before Code Date 92040700).	117	●806487	Jet-Main (Standard) (Used After Code Date 98062600).	142	●806635	Nozzle-Carburetor (Used After Code Date 98062600). ———— Note ——— ●807960 Nozzle-Carburetor (Includes Standard Main Jet) (Used After Code Date 92040600 and Before Code Date 98062700). ●807712 Nozzle-Carburetor (Includes Standard Main Jet) (Used Before Code Date 92040700).
72A	694069	Tube-Jet (High Altitude) (Used After Code Date 98062600).	117A	806634	Jet-Main (High Altitude) (Used After Code Date 98062600).			
			125	808728	Carburetor (Used After Code Date 98062600). ———— Note ——— 808255 Carburetor (Used Before Code Date 98062700 and After Code Date 92040600). 807639 Carburetor (Used Before Code Date 92040700).			

★ Included in Engine Gasket Set-Ref. No. 358.
 Δ Included in Valve Gasket Set-Ref. No. 1095.

● Included in Carburetor Overhaul Kit-Ref. No. 121.
 ◆ Included in Carburetor Gasket Set-Ref. No. 977.

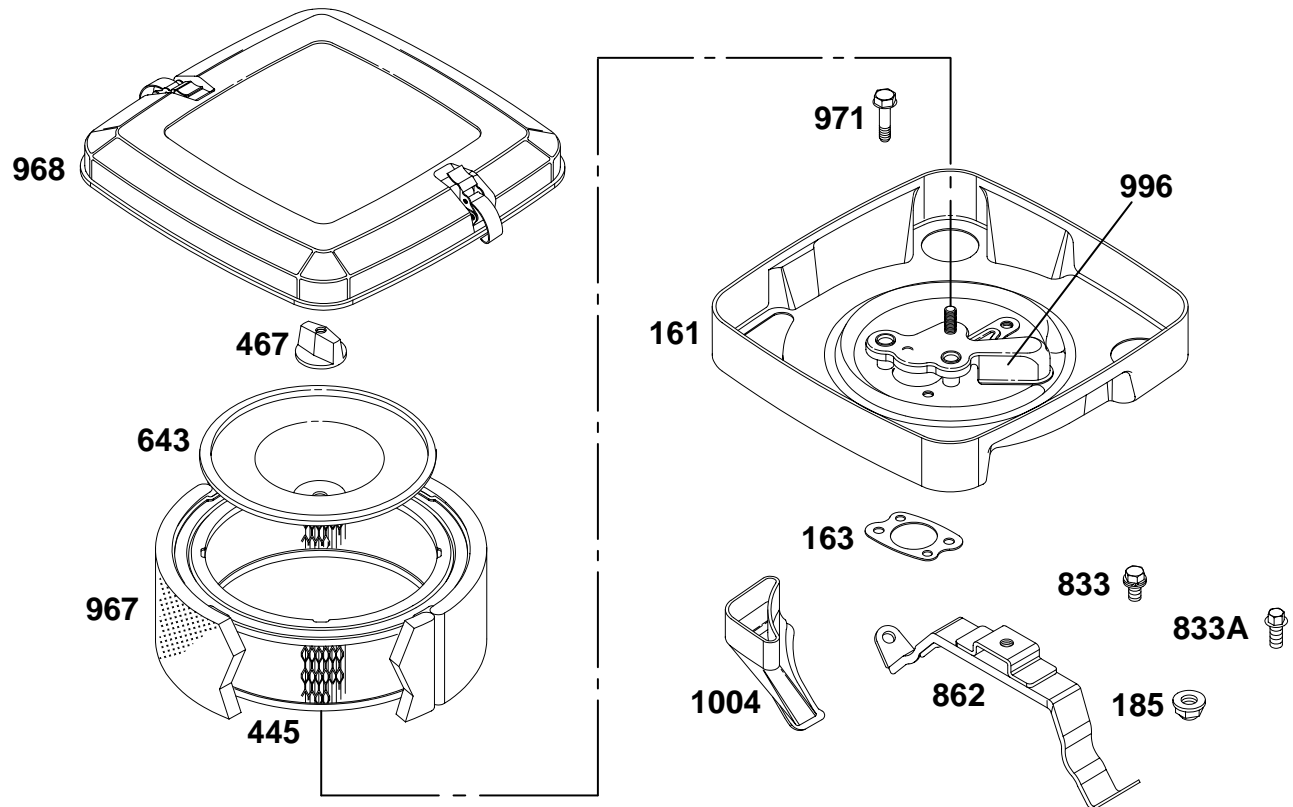
294700 to 294799



REF. NO.	PART NO.	DESCRIPTION	REF. NO.	PART NO.	DESCRIPTION	REF. NO.	PART NO.	DESCRIPTION
51	★805700	Gasket-Intake	125		Carburetor	668	●690737	Spacer
72		Tube-Jet			See Previous Page	729	805827	Clip-Wire (Black)
72A		Tube-Jet	127	●690730	Plug-Welch (9 mm Diameter)	742	●805578	Retainer-E Ring
94	●808258	Kit-Idle Mixture (Used After Code Date 95092700).	127A	●690731	Plug-Welch (6.9 mm Diameter)	807	●690733	Spacer-Throttle
		Note	130	690732	Valve-Throttle	947	806472	Solenoid-Fuel (Used After Code Date 98062600).
		●807707 Kit-Idle Mixture (Used Before Code Date 95092800).	133	807710	Float-Carburetor			Note
95	690728	Screw (Throttle Valve)	137	◆●806481	Gasket-Float Bowl			807744 Solenoid-Fuel (Used Before Code Date 98062700).
97	808323	Shaft-Throttle (Used After Code Date 92040600).	142		Nozzle-Carburetor	950	691511	Screw-Float Bowl
		Note	231	690728	Screw (Choke Valve)	955	807714	Plug-Carburetor
		807709 Shaft-Throttle (Used Before Code Date 92040700).	254	807713	Drain-Carburetor Bowl	975	807715	Bowl-Float
98	807705	Kit-Idle Speed	276B	◆●806476	Washer-Sealing (Used After Code Date 98062600).	987	◆●691548	Seal-Throttle Shaft (Used After Code Date 92040600).
104	●690739	Pin-Float Hinge			Note			Note
105	●807706	Valve-Float Needle	276C	◆●806477	Washer-Sealing			◆●690734 Seal-Throttle Shaft (Used Before Code Date 92040700).
108	690729	Valve-Choke	365A	690695	Screw (Carburetor)	1011	692929	Tube-Vent (Used on Type No(s). 1110, 1121).
109	807711	Shaft-Choke	601	94171	Clamp-Hose (Silver)	1037	●807717	Ball-Choke Locator
117		Jet-Main	633	◆●690738	Seal-Choke/Throttle Shaft	1051	●690736	Ring-Retaining
		See Previous Page	637	●690735	Washer (Throttle Shaft)	1091	●691515	Cap-Limiter
117A		Jet-Main			See Previous Page			

★ Included in Engine Gasket Set-Ref. No. 358.
 Δ Included in Valve Gasket Set-Ref. No. 1095.

● Included in Carburetor Overhaul Kit-Ref. No. 121.
 ◆ Included in Carburetor Gasket Set-Ref. No. 977.

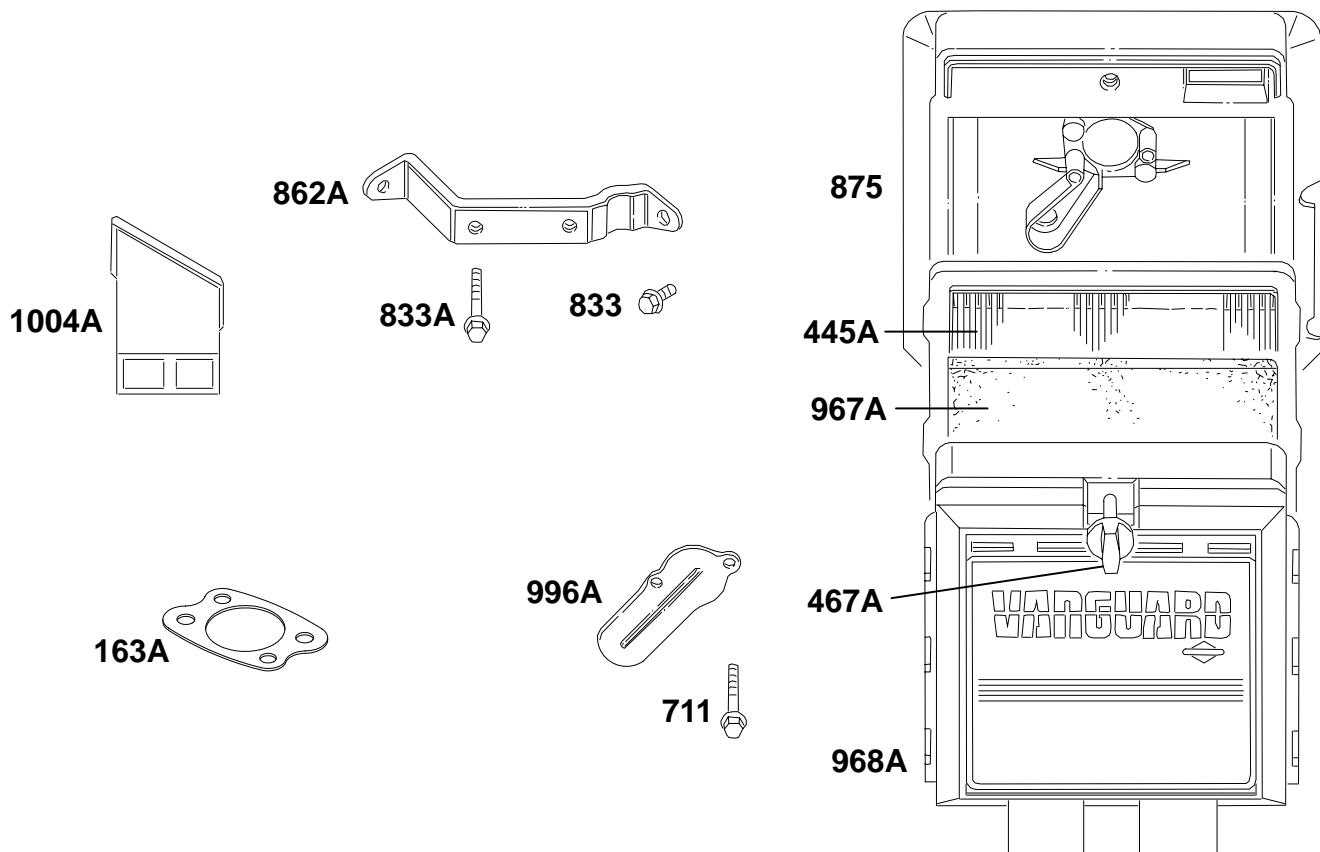


REF. NO.	PART NO.	DESCRIPTION	REF. NO.	PART NO.	DESCRIPTION	REF. NO.	PART NO.	DESCRIPTION
161	691561	Base—Air Cleaner (Metal)	833	690872	Screw (Cleaner Mounting Strap)	967	272490	Filter—Pre Cleaner
163	★805655	Gasket—Air Cleaner	833A	692539	Screw (Cleaner Mounting Strap)	968	807862	Cover—Air Cleaner
185	690939	Nut (Air Cleaner Base)	862	807859	Strap/Stud—Air Cleaner Mounting	971	692537	Screw (Air Cleaner Base)
445	394018	Filter—Air Cleaner Cartridge				996	691577	Shield—Carburetor
467	491875	Knob—Air Cleaner				1004	690743	Duct—Air
643	805631	Retainer—Air Filter						

★ Included in Engine Gasket Set—Ref. No. 358.
 Δ Included in Valve Gasket Set—Ref. No. 1095.

● Included in Carburetor Overhaul Kit—Ref. No. 121.
 ◆ Included in Carburetor Gasket Set—Ref. No. 977.

294700 to 294799

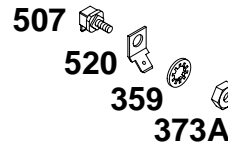
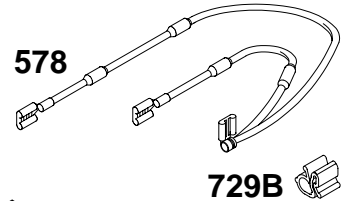
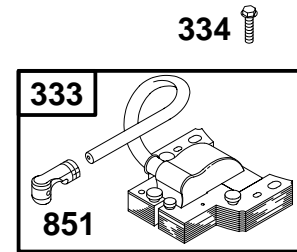
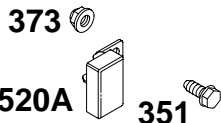
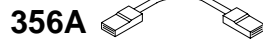
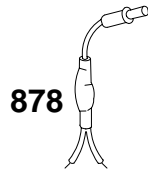
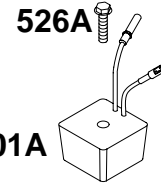
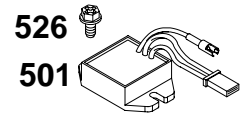
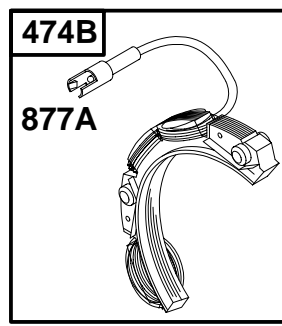
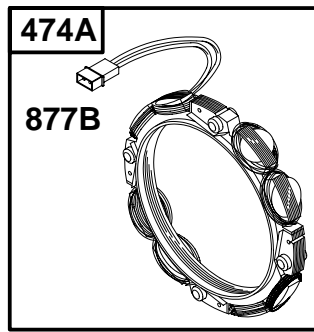
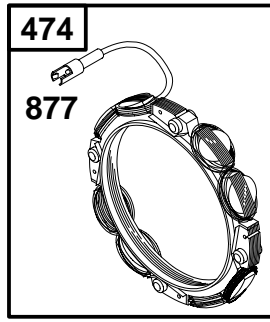


REF. NO.	PART NO.	DESCRIPTION	REF. NO.	PART NO.	DESCRIPTION	REF. NO.	PART NO.	DESCRIPTION
163A	★805003	Gasket—Air Cleaner	833A	690699	Screw	967A	805267	Filter—Pre Cleaner
445A	805113	Filter—Air Cleaner Cartridge			(Cleaner Mounting Strap)	968A	690694	Cover—Air Cleaner
467A	690895	Knob—Air Cleaner	862A	690896	Strap/Stud—Air Cleaner Mounting	996A	690696	Shield—Carburetor
711	690699	Screw (Carburetor Shield)				1004A	692538	Duct—Air
833	692539	Screw (Cleaner Mounting Strap)	875	690894	Base—Air Cleaner (Plastic)			

★ Included in Engine Gasket Set—Ref. No. 358.
 Δ Included in Valve Gasket Set—Ref. No. 1095.

● Included in Carburetor Overhaul Kit—Ref. No. 121.
 ◆ Included in Carburetor Gasket Set—Ref. No. 977.

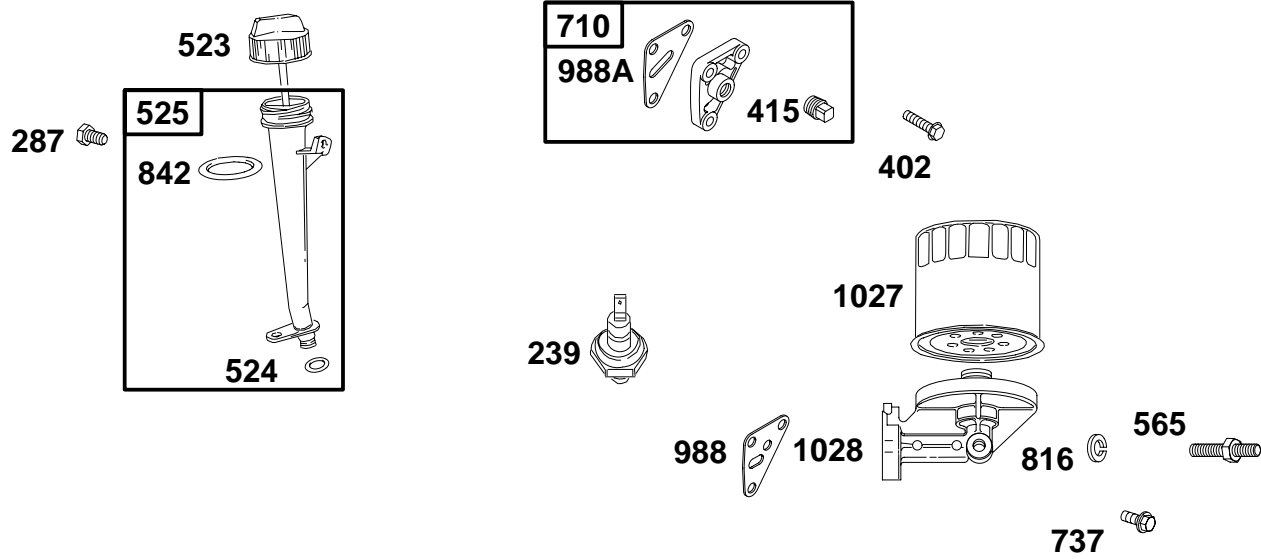
294700 to 294799



REF. NO.	PART NO.	DESCRIPTION	REF. NO.	PART NO.	DESCRIPTION	REF. NO.	PART NO.	DESCRIPTION
333	492341	Armature-Magneto	474B	391529	Alternator (DC Only)	578	493792	Wire Assembly (With Diodes)
334	805407	Screw (Magneto Armature)	501	394890	Regulator (16 Amp, 3 wire)	578A	393422	Wire Assembly (Alternators)
351	805762	Screw (Ground Terminal)	501A	491546	Regulator (10 Amp, 2 wire)	729B	690586	Wire Clip (Snap In Nylon)
356	807593	Wire-Stop (Cylinder #2) (Used Before Code Date 90111700).	507	398525	Insulator	851	493880	Terminal-Sparkplug
356A	807594	Wire-Stop (Cylinder #1) (Used Before Code Date 90111700).	520	691084	Terminal-Ground (Brass)	877	393537	Wire/Connector-Alternator (Tri Circuit)
359	691077	Washer (Ground Terminal)	520A	807527	Terminal-Ground (Ignition Shutoff)	877A	393814	Wire/Connector-Alternator (DC Only)
373	690713	Nut (Ground Terminal) (Nylock)	526	805448	Screw (Regulator)	877B	399916	Wire/Connector-Alternator (Regulated)
373A	90576	Nut (Ground Terminal)	526A	690717	Screw (Regulator) (Used After Code Date 90021400).	878	392606	Harness-Alternator (Tri Circuit)
474	392595	Alternator (Tri Circuit)	Note			1054	280275	Tie-Cable
474A	393295	Alternator (Regulated)	810084		Screw (Regulator) (Used Before Code Date 90021500).	1119	691552	Screw (Alternator)
			529	690744	Grommet			

★ Included in Engine Gasket Set-Ref. No. 358.
 △ Included in Valve Gasket Set-Ref. No. 1095.

● Included in Carburetor Overhaul Kit-Ref. No. 121.
 ◆ Included in Carburetor Gasket Set-Ref. No. 977.

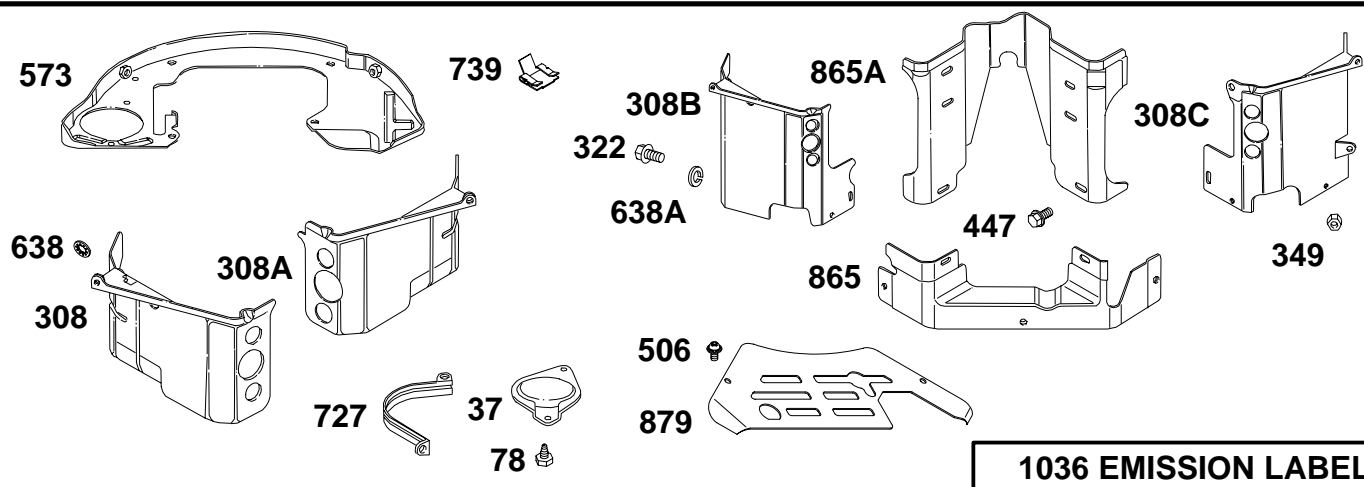


REF. NO.	PART NO.	DESCRIPTION	REF. NO.	PART NO.	DESCRIPTION	REF. NO.	PART NO.	DESCRIPTION
239	690233	Switch—Oil Pressure	710	807689	Cover—Oil Filter	1027	491056	Filter—Oil (3 1/4" Long)
287	692537	Screw (Dipstick Tube)	737	690679	Screw (Oil Filter Adapter)			Note
402	690679	Screw (Oil Filter Cover)	816	690706	Washer (Oil Filter Adapter)			492932 Filter—Oil (2 1/4" Long)
415	690283	Plug (Extruded Square Head)	842	★270920	Seal—O Ring (Dipstick Tube Assembly)			Used on Type No(s). 0035, 0109, 0113, 0118, 0332, 0335, 0417, 0418, 0429, 0430, 0435, 1034, 1035, 1100, 1102, 1110, 1117, 1118, 1119, 1120, 1121, 1130, 1131, 1133, 1142, 1146.
523	807985	Dipstick	988	★805250	Gasket—Oil Adapter	1028	808235	Adapter—Oil Filter
524	★805011	Seal—Dipstick Tube	988A	★690687	Gasket—Oil Adapter			Note
525	807501	Tube—Dipstick						808033 Adapter—Oil Filter
565	690682	Stud (Oil Filter Adapter)						Used on Type No(s). 0418, 0430, 1118, 1130, 1140, 1142.

★ Included in Engine Gasket Set—Ref. No. 358.
 Δ Included in Valve Gasket Set—Ref. No. 1095.

● Included in Carburetor Overhaul Kit—Ref. No. 121.
 ◆ Included in Carburetor Gasket Set—Ref. No. 977.

294700 to 294799



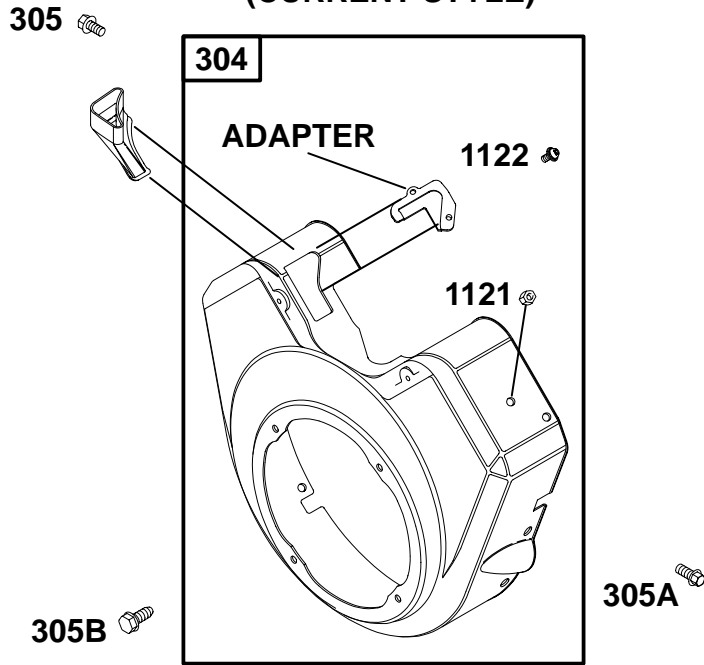
1036 EMISSION LABEL

REF. NO.	PART NO.	DESCRIPTION	REF. NO.	PART NO.	DESCRIPTION	REF. NO.	PART NO.	DESCRIPTION
37	690715	Guard-Flywheel (Black) Note — 805504 Guard-Flywheel (Red)	308B	806545	Cover-Cylinder Head (Cylinder 1) (Used After Code Date 98120100). Note — 691576 Cover-Cylinder Head (Cylinder 1) (Used Before Code Date 98113000 and After Code Date 90111600). 807658 Cover-Cylinder Head (Cylinder 1) (Used Before Code Date 90111700). Used on Type No(s). 0410.	322	805448	Screw (Cylinder Head Cover)
78	690688	Screw (Flywheel Guard)				349	690238	Nut (Cylinder Head Cover) Used on Type No(s). 0410, 1131, 1110.
308	807868	Cover-Cylinder Head (Cylinder 1) (Used After Code Date 91051400). Note — 807656 Cover-Cylinder Head (Cylinder 1) (Used Before Code Date 91051500).	308C	806544	Cover-Cylinder Head (Cylinder 2) (Used After Code Date 98120100). Note — 691563 Cover-Cylinder Head (Cylinder 2) (Used Before Code Date 98113000 and After Code Date 90111600). 807659 Cover-Cylinder Head (Cylinder 2) (Used Before Code Date 90111700). Used on Type No(s). 0410.	447	692539	Screw (Air Guide Cover)
308A	807869	Cover-Cylinder Head (Cylinder 2) (Used After Code Date 91051400). Note — 807657 Cover-Cylinder Head (Cylinder 2) (Used Before Code Date 91051500).				506	690677	Screw (Carburetor Cover)
						573	690902	Plate-Back
						638	691551	Washer (Cylinder Head Cover)
						638A	690706	Washer (Cylinder Head Cover)
						727	690714	Cover-Starter Drive (Black) Note — 805503 Cover-Starter Drive (Red)
						739	690451	Clip-Debris
						865	690901	Cover-Air Guide
						865A	690750	Cover-Air Guide
						879	690757	Cover-Carburetor
						1036	806882	Label-Emission (Used After Code Date 00063000). Note — 806695 Label-Emission (Used After Code Date 99093000 and Before Code Date 00070100). 806624 Label-Emission (Used Before Code Date 99100100).

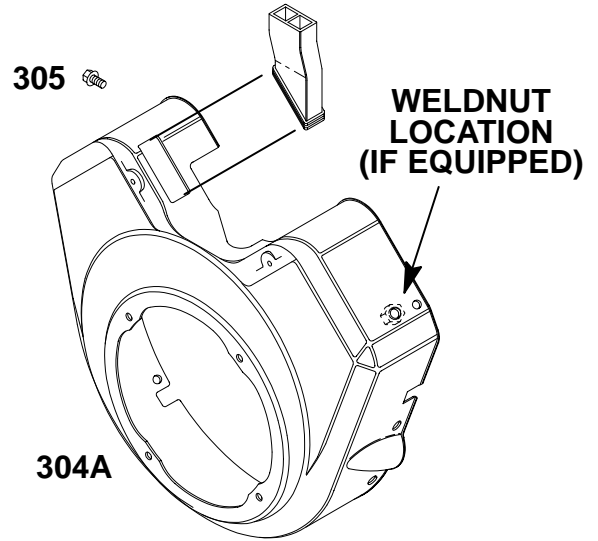
★ Included in Engine Gasket Set-Ref. No. 358.
 Δ Included in Valve Gasket Set-Ref. No. 1095.

● Included in Carburetor Overhaul Kit-Ref. No. 121.
 ◆ Included in Carburetor Gasket Set-Ref. No. 977.

FOR METAL AIR CLEANER BASE (CURRENT STYLE)



FOR PLASTIC AIR CLEANER BASE

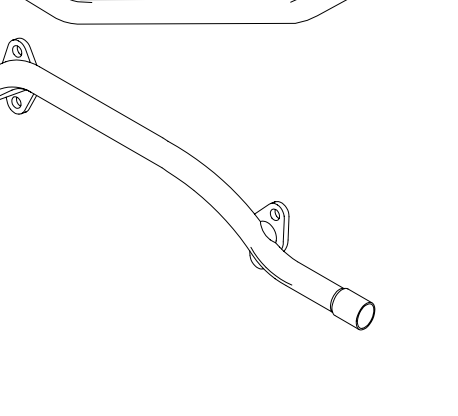
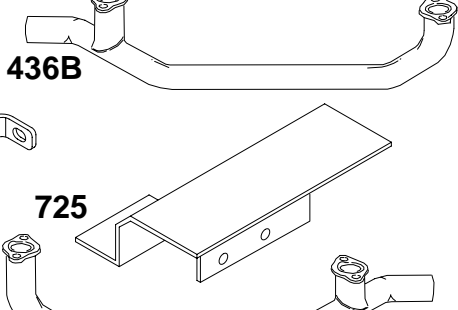
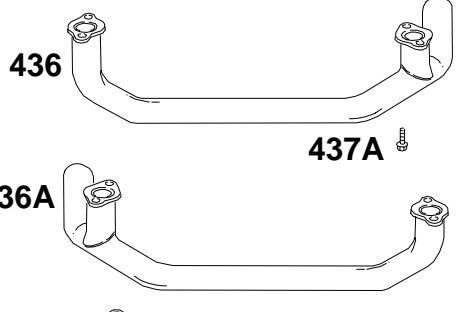
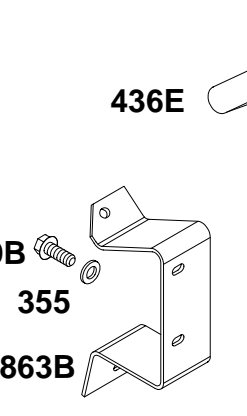
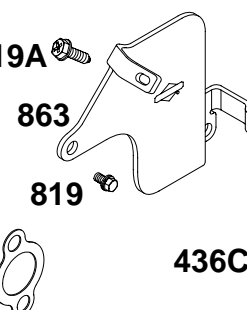
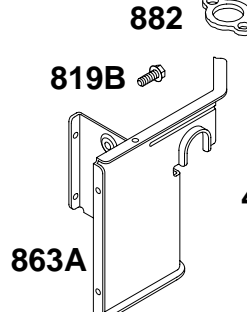
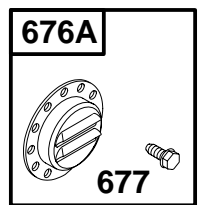
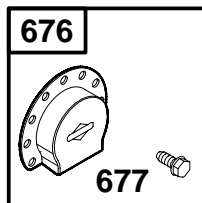
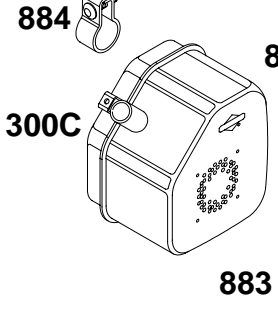
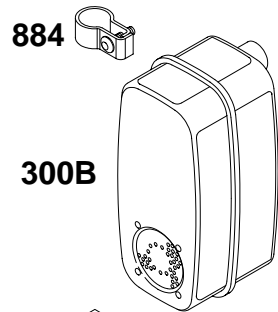
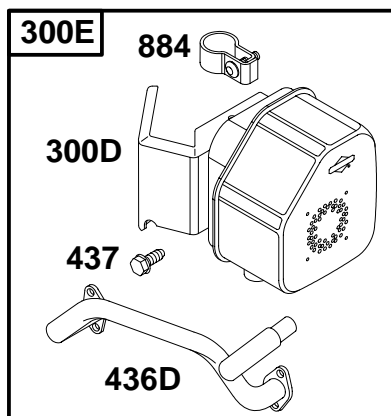
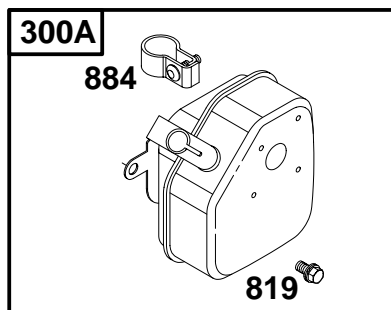
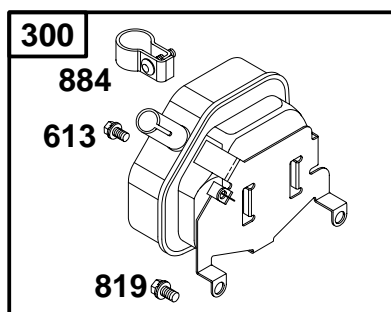


REF. NO.	PART NO.	DESCRIPTION	REF. NO.	PART NO.	DESCRIPTION	REF. NO.	PART NO.	DESCRIPTION
304	808055	Housing-Blower (Red) Note 808408 Housing-Blower (Black)		807892	Housing-Blower (Red Without Weld Nut) (Used Before Code Date 90111700).	305	692539	Screw (Blower Housing)
304A	807814	Housing-Blower (Black Without Weld Nut) (Used After Code Date 90111600). Note 807891 Housing-Blower (Black Without Weld Nut) (Used Before Code Date 90111700). 807820 Housing-Blower (Red Without Weld Nut) (Used After Code Date 90111600).		808008	Housing-Blower (Red With Weld Nut) (Used After Code Date 90111600). 807654 Housing-Blower (Red With Weld Nut) (Used Before Code Date 90111700). 807662 Housing-Blower (Black With Weld Nut) (Used Before Code Date 90111700).	305A	805025	Screw (Blower Housing) (14mm Long)
						305B	805247	Screw (Blower Housing) (18mm Long)
						1121	810056	Nut (Fuel Pump Bracket)
						1122	93410	Screw (Blower Housing Adapter)

★ Included in Engine Gasket Set-Ref. No. 358.
 Δ Included in Valve Gasket Set-Ref. No. 1095.

● Included in Carburetor Overhaul Kit-Ref. No. 121.
 ◆ Included in Carburetor Gasket Set-Ref. No. 977.

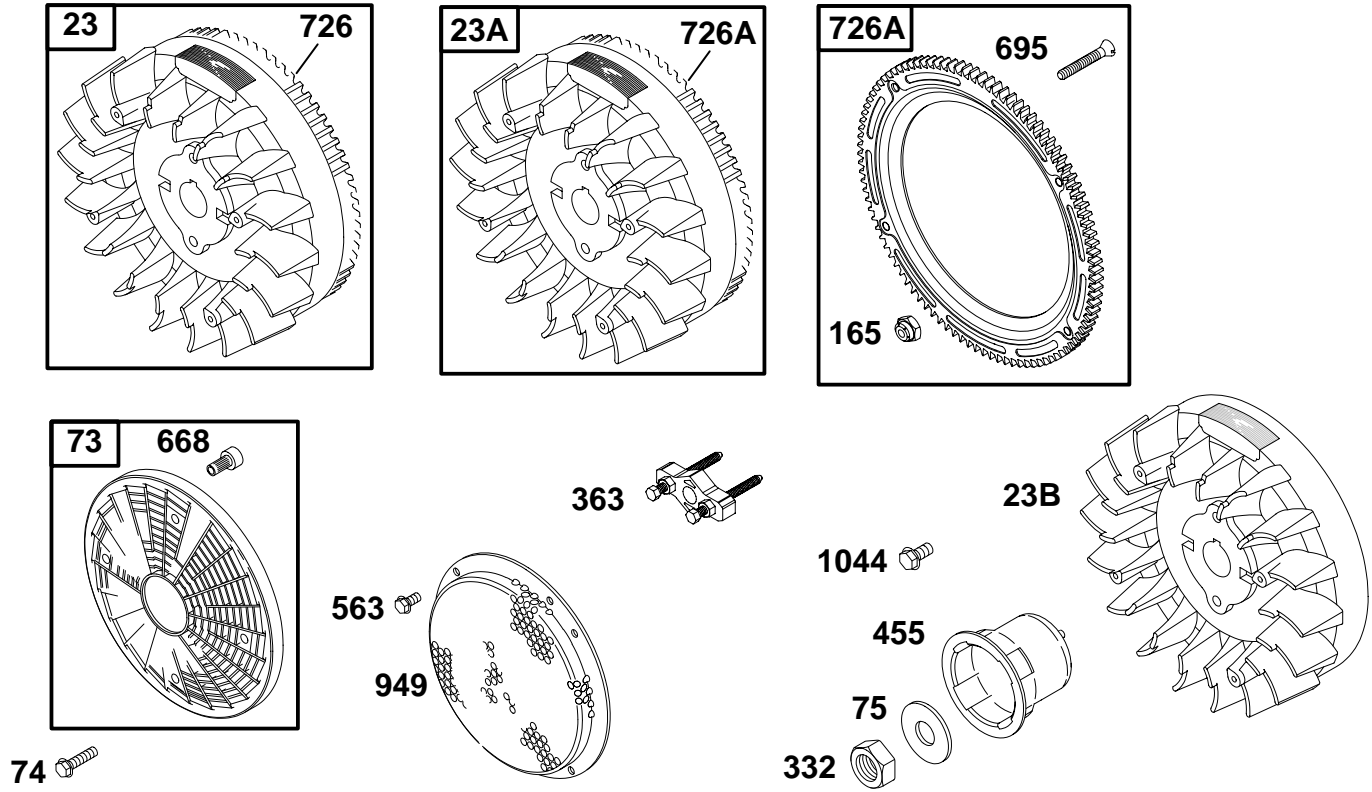
294700 to 294799



REF. NO.	PART NO.	DESCRIPTION	REF. NO.	PART NO.	DESCRIPTION	REF. NO.	PART NO.	DESCRIPTION
300	807741	Muffler	437A	805158	Screw (Exhaust Manifold)	819B	690297	Screw (Muffler Bracket) (Used After Code Date 97012300).
300A	807742	Muffler	613	805025	Screw (Muffler)	<p align="center">Note</p>		
300B	498984	Muffler	676	393761	Deflector-Muffler (Side Out)	94786	690237	Screw (Muffler Bracket) (Used Before Code Date 97012400).
300C	807948	Muffler	676A	397630	Deflector-Muffler (Dual Louvered)	863	691513	Bracket-Muffler
300D	807953	Muffler	677	94896	Screw (Muffler Deflector)	863A	224359	Bracket-Muffler
300E	807969	Muffler	725	806102	Shield-Heat	863B	805610	Bracket-Muffler
355	690237	Washer (Muffler Bracket)	819	805025	Screw (Muffler Bracket)	882	805502	Flange-Exhaust
436	805142	Manifold-Exhaust	819A	805448	Screw (Muffler Bracket)	883	★805024	Gasket-Exhaust
436A	691499	Manifold-Exhaust				884	392649	Clamp-Muffler
436B	691502	Manifold-Exhaust				<p align="center">Note</p>		
436C	691501	Manifold-Exhaust				690898	Clamp-Muffler	
436D	805778	Manifold-Exhaust					Used on Type No(s). 1138.	
436E	805609	Manifold-Exhaust						
437	805247	Screw (Exhaust Manifold)						

★ Included in Engine Gasket Set-Ref. No. 358.
 △ Included in Valve Gasket Set-Ref. No. 1095.

● Included in Carburetor Overhaul Kit-Ref. No. 121.
 ◆ Included in Carburetor Gasket Set-Ref. No. 977.

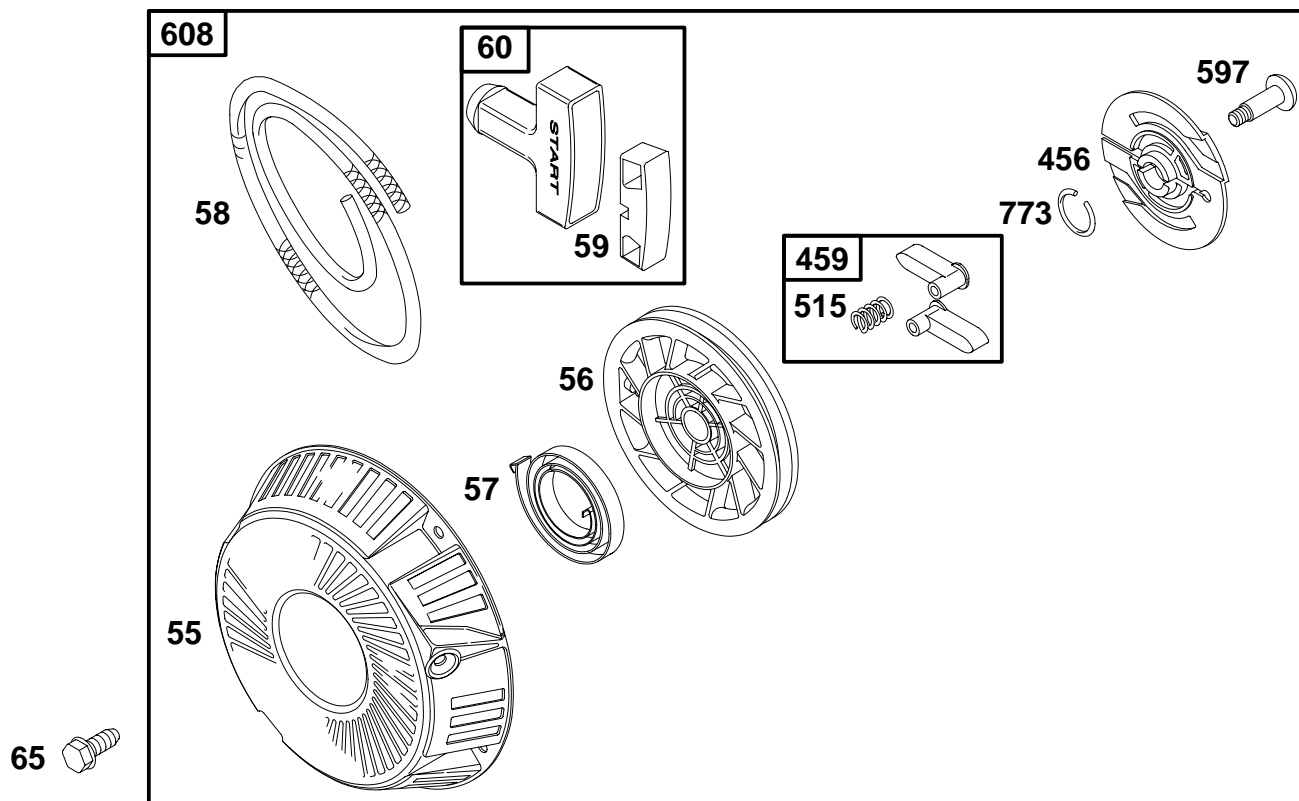


REF. NO.	PART NO.	DESCRIPTION	REF. NO.	PART NO.	DESCRIPTION	REF. NO.	PART NO.	DESCRIPTION
23	808766	Flywheel (Steel Ring Gear) ———— Note ———— 808774 Flywheel (Steel Ring Gear) Used on Type No(s). 1121, 1132, 1142, 1145.	23B	690889	Flywheel (For Rewind Starter) Used on Type No(s). 0320, 0334, 1034, 1102, 1138, 1140.	455	691517	Cup-Flywheel (Used After Code Date 93072500). ———— Note ———— 805153 Cup-Flywheel (Used Before Code Date 93072600).
23A	690892	Flywheel (Aluminum Ring Gear) ———— Note ———— 690891 Flywheel (Aluminum Ring Gear) Used on Type No(s). 0111, 0119, 0419, 0432, 0433, 1119, 1121, 1132, 1142, 1145.	73	494439	Screen-Rotating	563	805026	Screw (Debris Screen Guard)
			74	94417	Screw (Rotating Screen)	668	691500	Spacer (Kurld Insert)
			75	691490	Washer (Flywheel)	695	693149	Screw (Ring Gear)
			165	693148	Nut (Ring Gear)	726		Gear-Ring (Steel) (Sold in Flywheel Kit, Ref 23, Only)
			332	690887	Nut (Flywheel)	726A	807805	Gear-Ring (Aluminum)
			363	19203	Flywheel Puller	949	690475	Guard-Debris Screen
						1044	805025	Screw (Flywheel)

★ Included in Engine Gasket Set-Ref. No. 358.
 Δ Included in Valve Gasket Set-Ref. No. 1095.

● Included in Carburetor Overhaul Kit-Ref. No. 121.
 ◆ Included in Carburetor Gasket Set-Ref. No. 977.

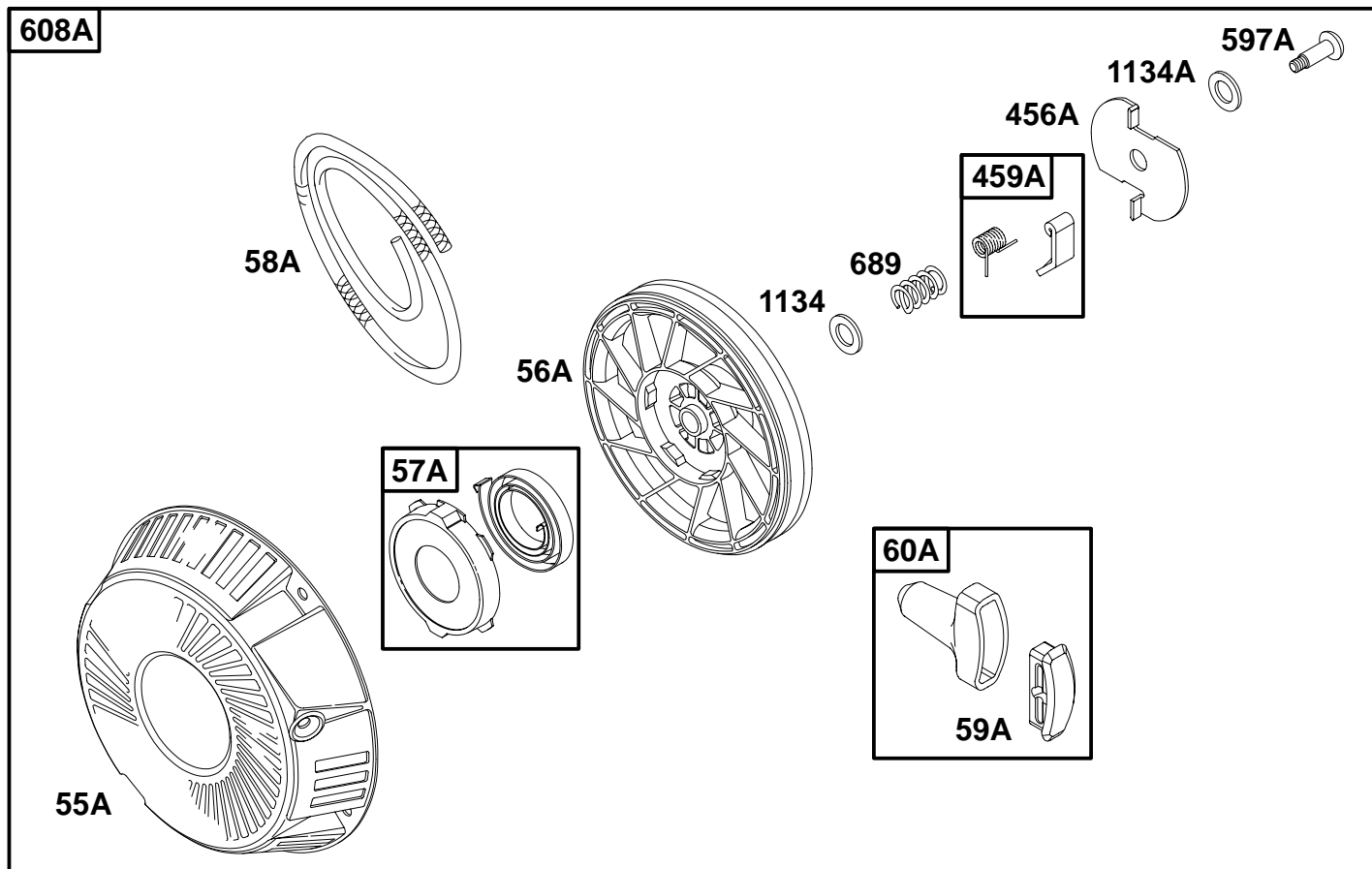
294700 to 294799



REF. NO.	PART NO.	DESCRIPTION	REF. NO.	PART NO.	DESCRIPTION	REF. NO.	PART NO.	DESCRIPTION
55	691568	Housing-Rewind Starter	59	805957	Insert-Grip	597	690876	Screw (Pawl Friction Plate)
56	805949	Pulley-Starter	60	808167	Grip-Starter Rope	608	808087	Starter-Rewind (Used After Code Date 93072500).
57	805951	Spring-Rewind Starter	65	692539	Screw (Rewind Starter)	773	690875	Retainer
58	66574	Rope-Starter (Cut to Required Length)	456	691529	Plate-Pawl Friction			
			459	808166	Pawl-Ratchet			
			515	691528	Spring-Pawl			

★ Included in Engine Gasket Set-Ref. No. 358.
 Δ Included in Valve Gasket Set-Ref. No. 1095.

● Included in Carburetor Overhaul Kit-Ref. No. 121.
 ◆ Included in Carburetor Gasket Set-Ref. No. 977.



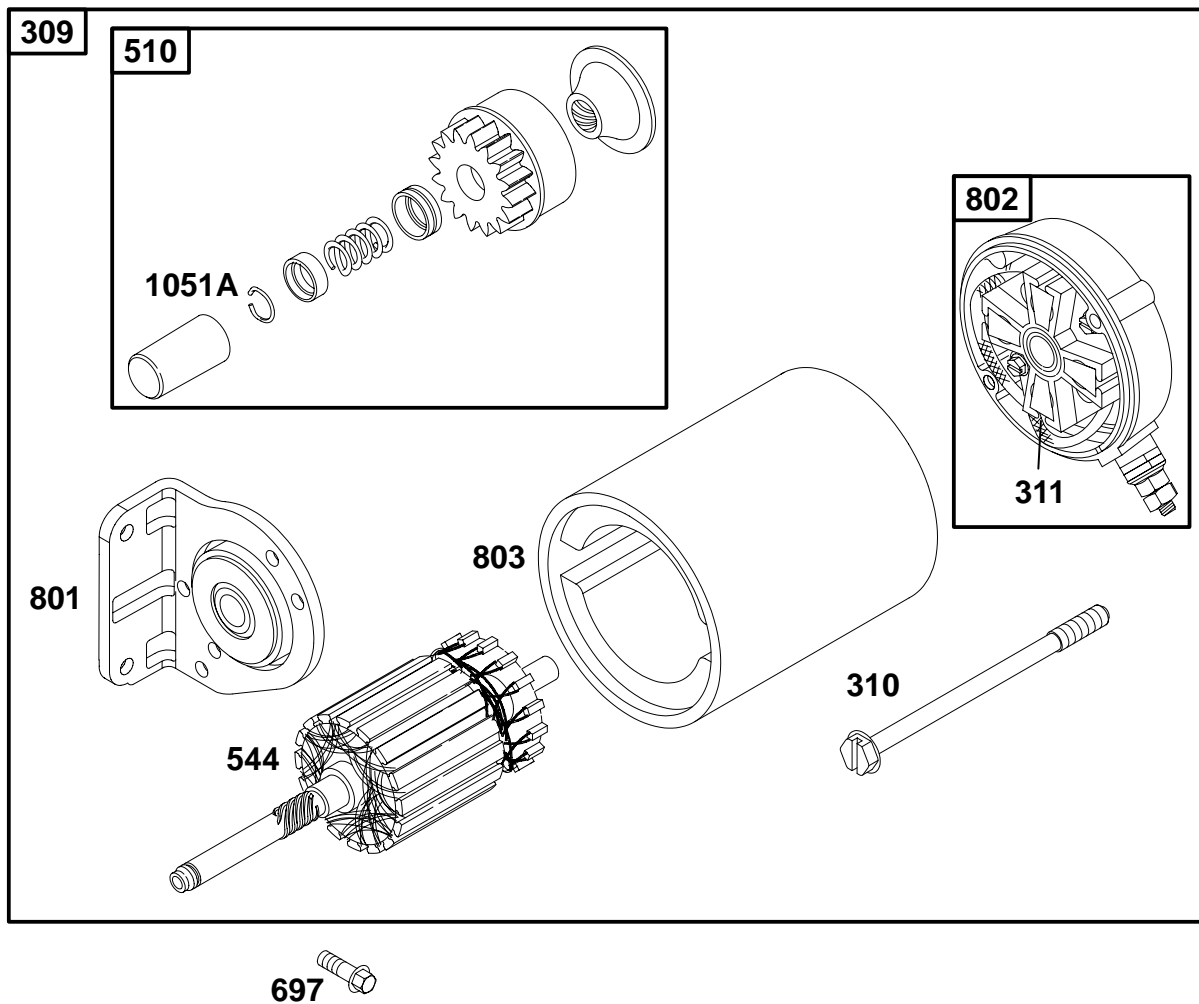
65A 

REF. NO.	PART NO.	DESCRIPTION	REF. NO.	PART NO.	DESCRIPTION	REF. NO.	PART NO.	DESCRIPTION
55A	492193	Housing-Rewind Starter	60A	490652	Grip-Starter Rope	608A	808152	Starter-Rewind (Used Before Code Date 93072600).
56A	280918	Pulley-Starter	65A	692539	Screw (Rewind Starter)	689	262564	Spring-Friction
57A	492194	Spring-Rewind Starter	456A	224228	Plate-Pawl Friction	1134	94464	Washer (Pawl Friction Plate)
58A	66894	Rope-Starter (Cut to Required Length)	459A	492431	Pawl-Ratchet	1134A	94462	Washer (Pawl Friction Plate)
59A	490653	Insert-Grip	597A	94463	Screw (Pawl Friction Plate)			

★ Included in Engine Gasket Set-Ref. No. 358.
 △ Included in Valve Gasket Set-Ref. No. 1095.

● Included in Carburetor Overhaul Kit-Ref. No. 121.
 ◆ Included in Carburetor Gasket Set-Ref. No. 977.

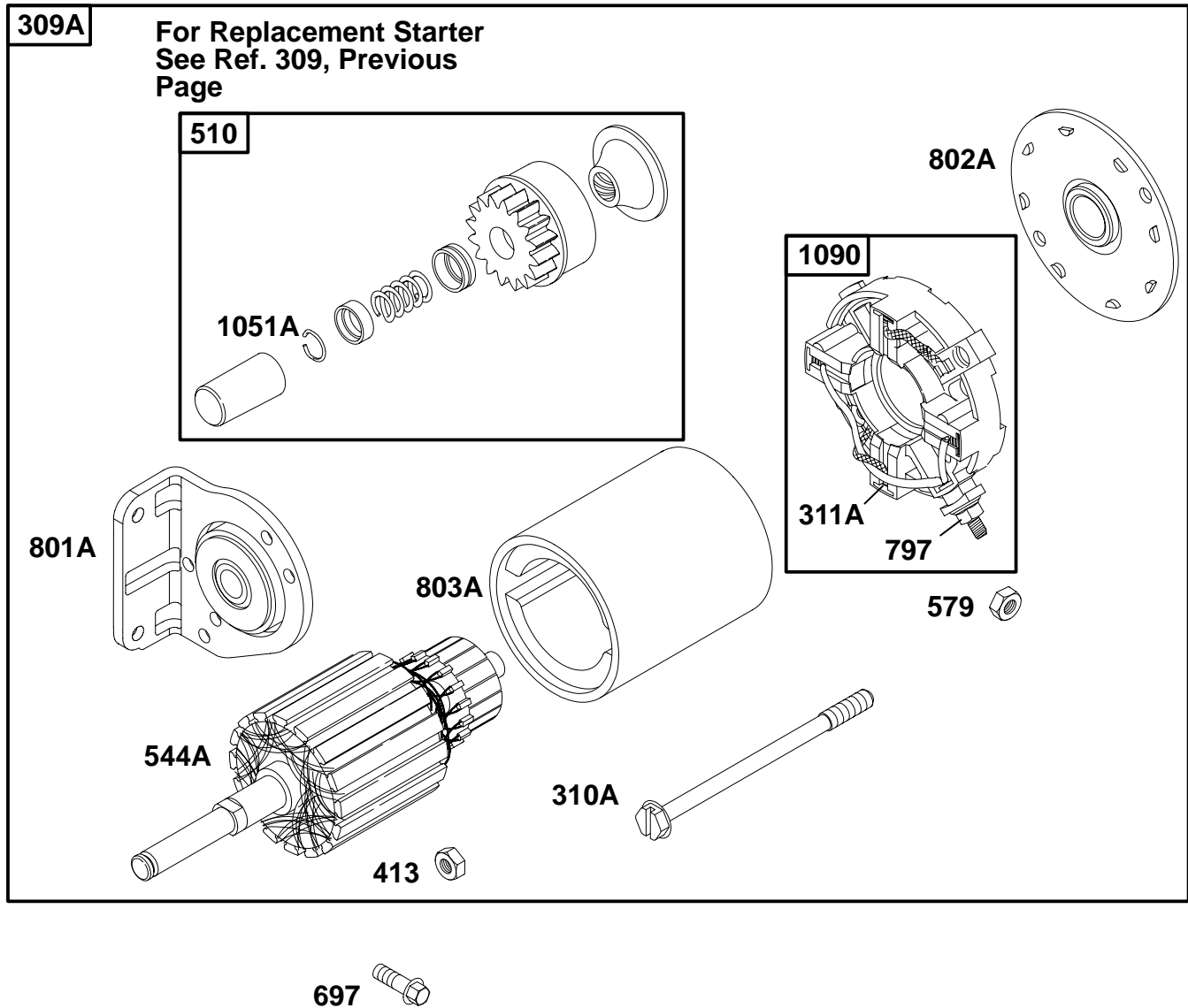
294700 to 294799



REF. NO.	PART NO.	DESCRIPTION	REF. NO.	PART NO.	DESCRIPTION	REF. NO.	PART NO.	DESCRIPTION
309	691564	Motor-Starter (For Steel Ring Gear Only)	311	496887	Brush Set	801	808778	Cap-Drive
310	496880	Bolt (Starter Motor)	510	496881	Drive-Starter	802	496813	Cap-End
			544	690855	Armature-Starter	803	690854	Housing-Starter
			697	805247	Screw (Drive Cap)	1051A	691124	Ring-Retaining

★ Included in Engine Gasket Set-Ref. No. 358.
 Δ Included in Valve Gasket Set-Ref. No. 1095.

● Included in Carburetor Overhaul Kit-Ref. No. 121.
 ◆ Included in Carburetor Gasket Set-Ref. No. 977.

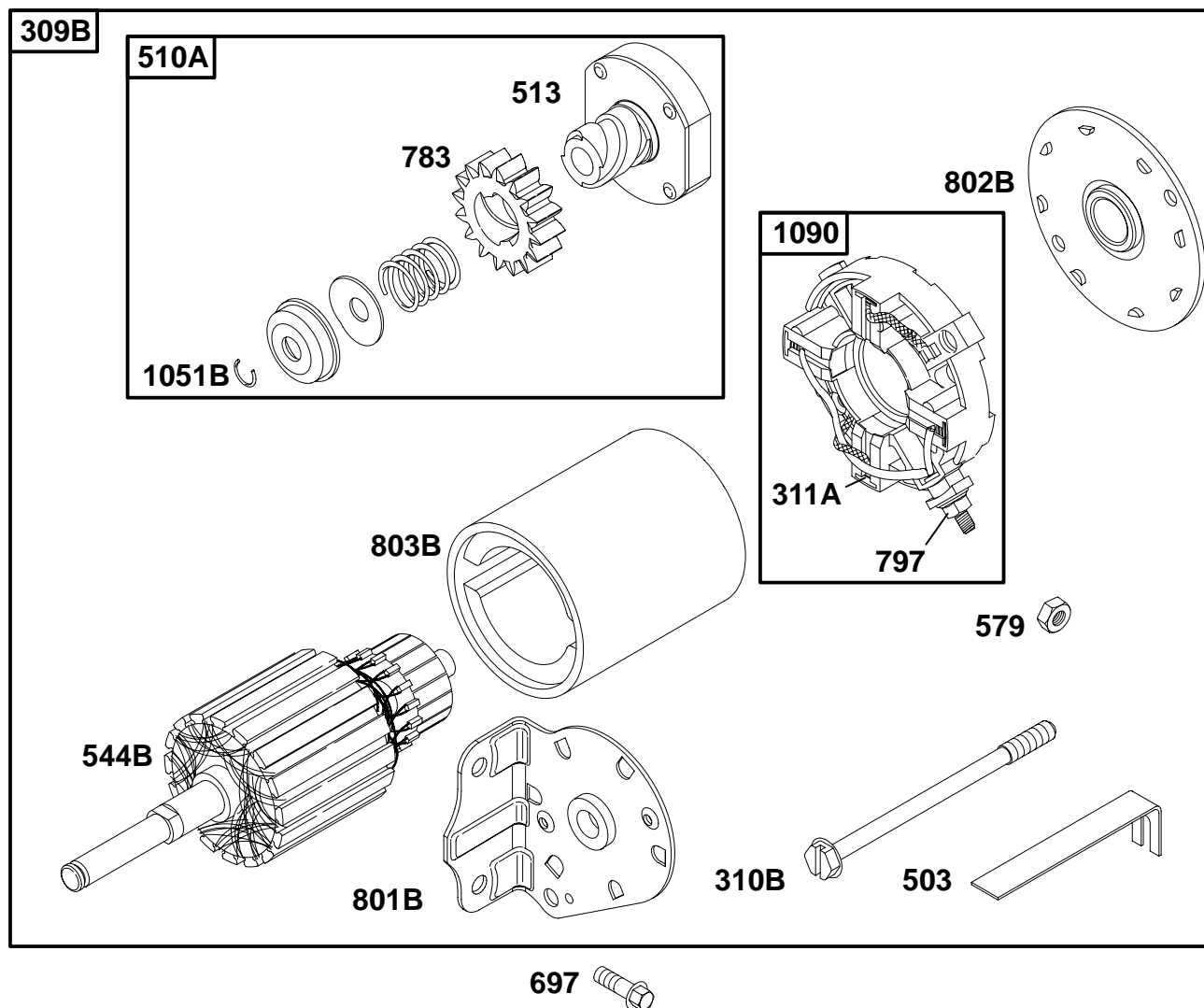


REF. NO.	PART NO.	DESCRIPTION	REF. NO.	PART NO.	DESCRIPTION	REF. NO.	PART NO.	DESCRIPTION
309A		Motor-Starter (For Replacement Starter Motor See Ref. 309, Previous Page)	413	693587	Nut (Starter Motor)	697	805247	Screw (Drive Cap)
310A	690323	Bolt (Starter Motor)	510	496881	Drive-Starter (For Steel Ring Gear Only)	797	693167	Nut (Brush Retainer)
311A	497608	Brush Set	544A	693548	Armature-Starter	801A	808777	Cap-Drive
			579	92278	Nut (Starter Cable)	802A	497607	Cap-End
						803A	693547	Housing-Starter
						1051A	691124	Ring-Retaining
						1090	497605	Retainer-Brush

★ Included in Engine Gasket Set-Ref. No. 358.
 Δ Included in Valve Gasket Set-Ref. No. 1095.

● Included in Carburetor Overhaul Kit-Ref. No. 121.
 ◆ Included in Carburetor Gasket Set-Ref. No. 977.

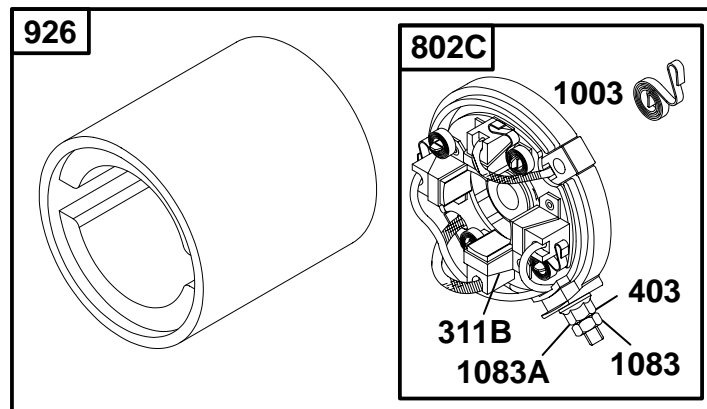
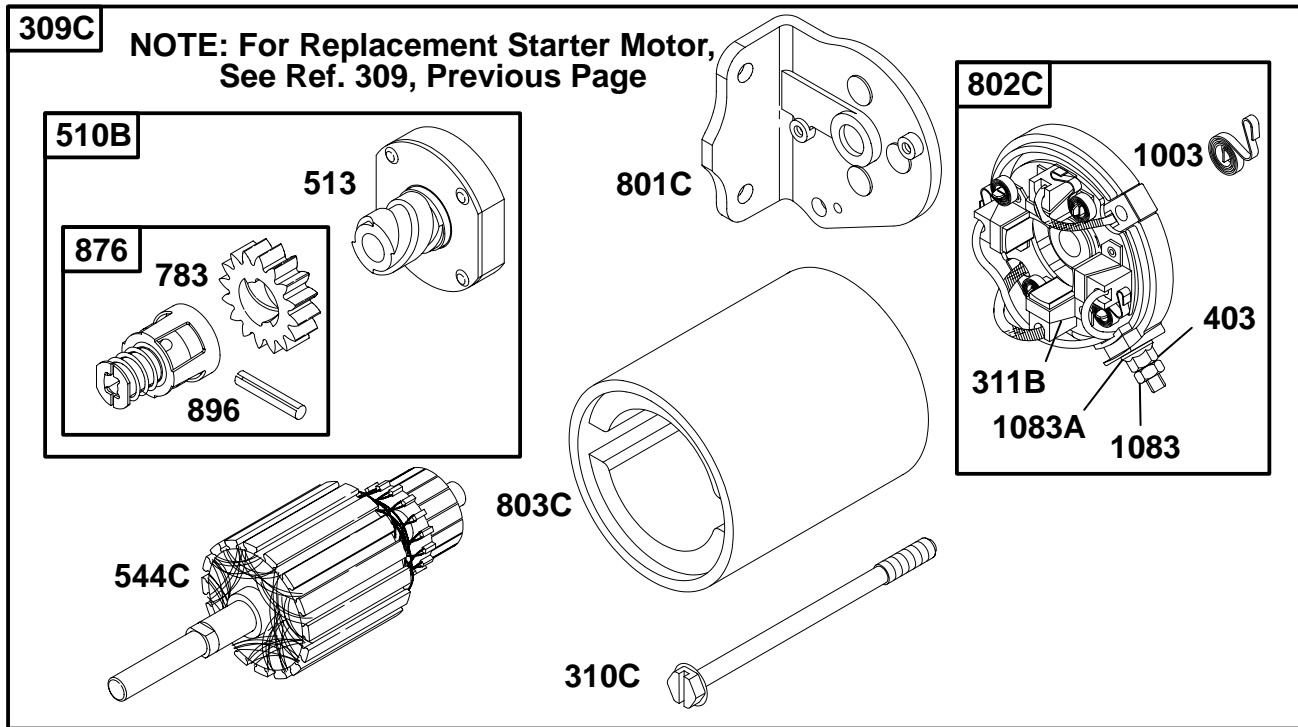
294700 to 294799



REF. NO.	PART NO.	DESCRIPTION	REF. NO.	PART NO.	DESCRIPTION	REF. NO.	PART NO.	DESCRIPTION
309B	499521	Motor-Starter (Services Aluminum Ring Gear Only)	544B		Armature-Starter (Served By 499521 Starter Motor Only)	797	693167	Nut (Brush Retainer)
310B	691263	Bolt (Starter Motor)	579	92278	Nut (Starter Cable)	801B	691429	Cap-Drive
311A	497608	Brush Set	697	805247	Screw (Drive Cap)	802B	497607	Cap-End
503	691532	Strap-Starter	783	693059	Gear-Pinion (Services Aluminum Ring Gear Only)	803B		Housing-Starter (Served By 499521 Starter Motor Only)
510A	497606	Drive-Starter				1051B	263080	Ring-Retaining
513	398003	Clutch-Drive				1090	497605	Retainer-Brush

★ Included in Engine Gasket Set-Ref. No. 358.
 △ Included in Valve Gasket Set-Ref. No. 1095.

● Included in Carburetor Overhaul Kit-Ref. No. 121.
 ◆ Included in Carburetor Gasket Set-Ref. No. 977.

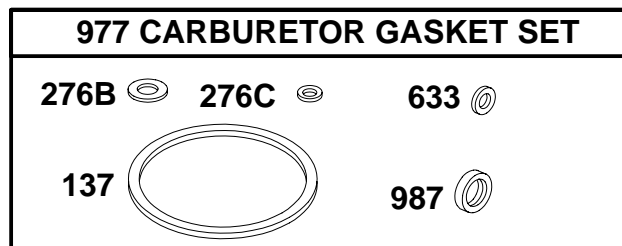
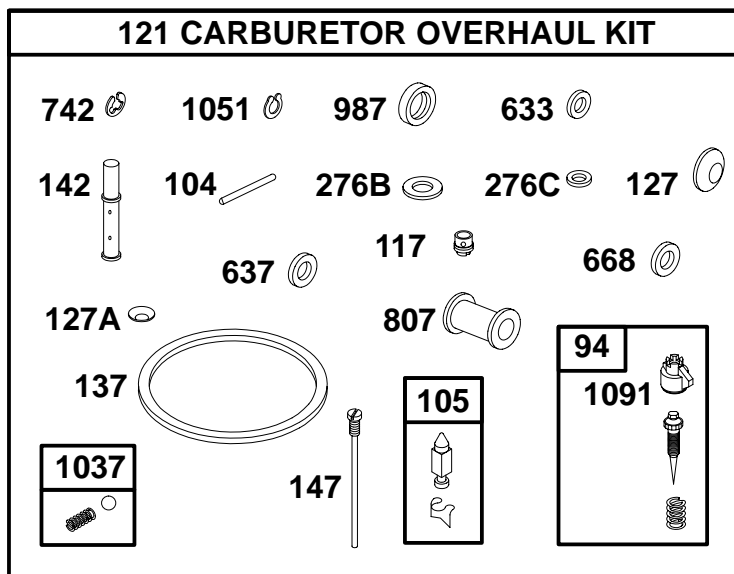


REF. NO.	PART NO.	DESCRIPTION	REF. NO.	PART NO.	DESCRIPTION	REF. NO.	PART NO.	DESCRIPTION
309C		Motor-Starter (Serviced By 499521 Starter Motor Only)	801C	394856	Cap-Drive	783	693059	Gear-Pinion
310C	692329	Bolt (Starter Motor)	802C	494988	Cap-End (For 4 3/8" Housing)	876	495877	Kit-Pinion Spring
311B	490311	Brush Set (For 4 9/16" Housing Length)	803C	494205	Housing-Starter (For 4 3/8" Housing Length)	896	94288	Pin-Retainer Drive
510B	495878	Drive-Starter			Note ———	926	498233	Kit-Housing/Cap (4 3/8" Housing Length)
544C	490309	Armature-Starter			398892 Housing- Starter	1003	490316	Spring-Brush
783	693059	Gear-Pinion (Aluminum Ring Gear Only)			(For 4 9/16" Housing Length)	1083	93715	Nut (End Cap)
						1083A	94010	Nut (End Cap)

★ Included in Engine Gasket Set-Ref. No. 358.
 △ Included in Valve Gasket Set-Ref. No. 1095.

● Included in Carburetor Overhaul Kit-Ref. No. 121.
 ◆ Included in Carburetor Gasket Set-Ref. No. 977.

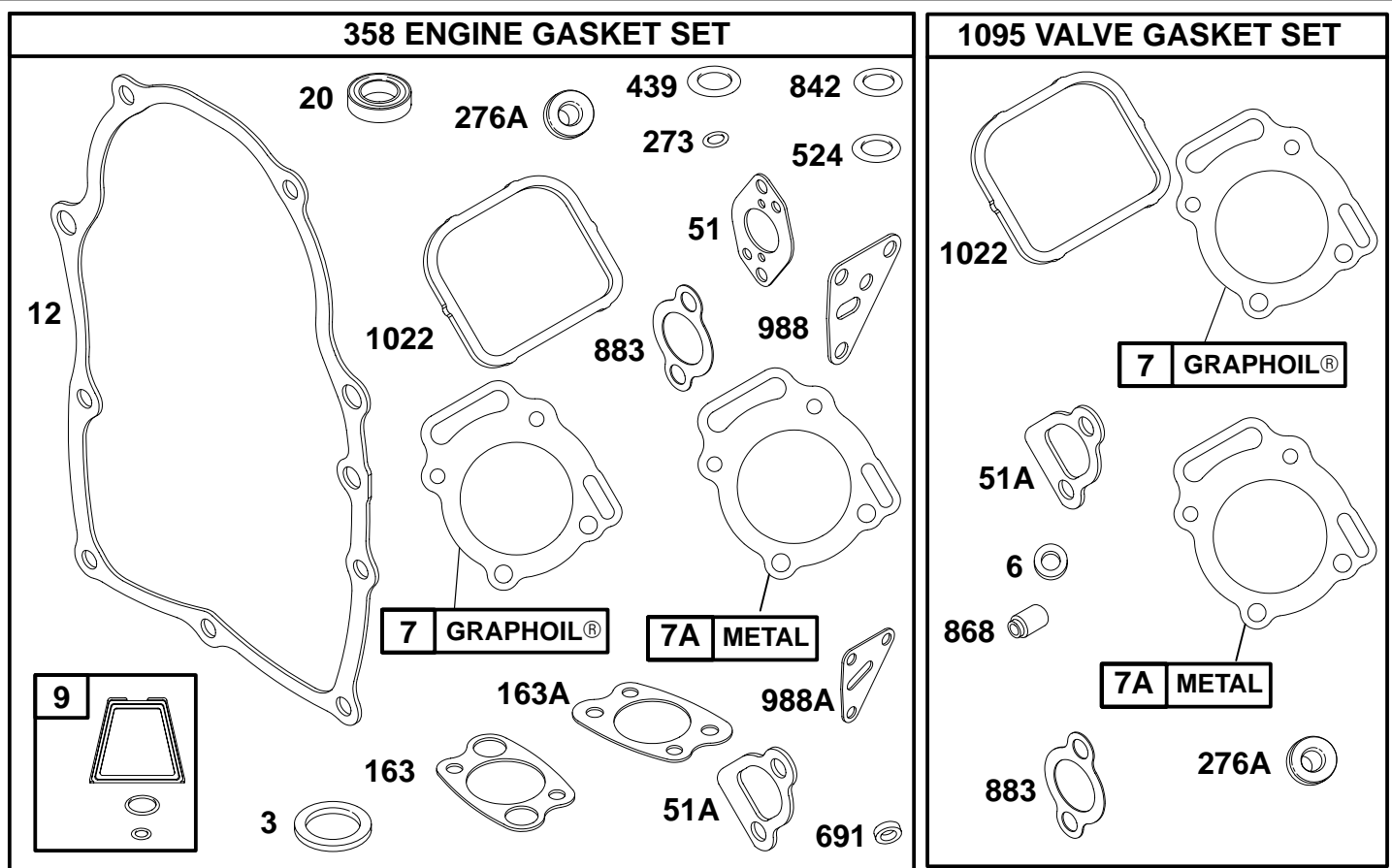
294700 to 294799



REF. NO.	PART NO.	DESCRIPTION	REF. NO.	PART NO.	DESCRIPTION	REF. NO.	PART NO.	DESCRIPTION
94	●808258	Kit-Idle Mixture (Used After Code Date 95092700). _____ Note _____ ●807707 Kit-Idle Mixture (Used Before Code Date 95092800).	142	●806635	Nozzle-Carburetor (Used After Code Date 98062600). _____ Note _____ ●807960 Nozzle-Carburetor (Includes Standard Main Jet) (Used After Code Date 92040600 and Before Code Date 98062700).	276C	◆●806477	Washer-Sealing
104	●690739	Pin-Float Hinge				633	◆●690738	Seal-Choke/Throttle Shaft
105	●807706	Valve-Float Needle				637	●690735	Washer (Throttle Shaft)
117	●806487	Jet-Main (Standard) (Used After Code Date 98062600).				668	●690737	Spacer
121	808807	Kit-Carburetor Overhaul (Used After Code Date 98062600). _____ Note _____ 808324 Kit-Carburetor Overhaul (Used After Code Date 92040600 and Before Code Date 98062700). 807708 Kit-Carburetor Overhaul (Used Before Code Date 92040700).	72	●806488	Tube-Jet (Used After Code Date 98062600). _____ Note _____ ●690755 Tube-Jet (Used After Code Date 92040600 and Before Code Date 98062700). ●806480 Tube-Jet (Used Before Code Date 92040700).	742	●805578	Retainer-E Ring
						807	●690733	Spacer-Throttle
						977	808325	Gasket Set-Carburetor (Used After Code Date 92040600). _____ Note _____ 807716 Gasket Set-Carburetor (Used Before Code Date 92040700).
			276B	◆●806476	Washer-Sealing (Used After Code Date 98062600). _____ Note _____ ◆●692343 Washer-Sealing (Used Before Code Date 98062700).	987	◆●691548	Seal-Throttle Shaft (Used After Code Date 92040600). _____ Note _____ ◆●690734 Seal-Throttle Shaft (Used Before Code Date 92040700).
127	●690730	Plug-Welch				1037	●807717	Ball-Choke Locator
127A	●690731	Plug-Welch				1051	●690736	Ring-Retaining
137	◆●806481	Gasket-Float Bowl				1091	●691515	Cap-Limiter

★ Included in Engine Gasket Set-Ref. No. 358.
 △ Included in Valve Gasket Set-Ref. No. 1095.

● Included in Carburetor Overhaul Kit-Ref. No. 121.
 ◆ Included in Carburetor Gasket Set-Ref. No. 977.



REF. NO.	PART NO.	DESCRIPTION	REF. NO.	PART NO.	DESCRIPTION	REF. NO.	PART NO.	DESCRIPTION	
3	★805101	Seal—Oil (Magneto Side)	12	★806190	Gasket—Crankcase (Used After Code Date 97043000).	358	808390	Gasket Set—Engine	
6	Δ805193	Washer (Cylinder Head) (Used Before Code Date 94050100).			Note	439	★692154	Seal—O Ring (Crankcase Cover/ Sump)	
7	Δ★806085	Gasket—Cylinder Head (Used After Code Date 96033100).			★691684	Gasket—Crankcase (Used Before Code Date 97050100).	524	★805011	Seal—Dipstick Tube
7A	Δ★807986	Gasket—Cylinder Head (Used Before Code Date 96040100).	20	★805049	Seal—Oil (PTO Side)	691	★690680	Seal—Governor Shaft	
9	★807688	Gasket—Breather	51	★805700	Gasket—Intake	842	★270920	Seal—O Ring (Dipstick Tube Assembly)	
			51A	Δ★805023	Intake Gasket	868	Δ805094	Seal—Valve	
			163	★805655	Gasket—Air Cleaner	883	Δ★805024	Gasket—Exhaust	
			163A	★805003	Gasket—Air Cleaner	988	★805250	Gasket—Oil Adapter	
			273	★690681	Seal—O Ring (Oil Pump)	988A	★690687	Gasket—Oil Adapter	
			276A	Δ★805420	Washer—Sealing	1022	Δ★806039	Gasket—Rocker Cover	
						1095	808392	Gasket Set—Valve	

★ Included in Engine Gasket Set—Ref. No. 358.
 Δ Included in Valve Gasket Set—Ref. No. 1095.

● Included in Carburetor Overhaul Kit—Ref. No. 121.
 ◆ Included in Carburetor Gasket Set—Ref. No. 977.