

## 28W700 to 28W799

# Illustrated Parts List

## Model Series

### 28W700 to 28W799

TYPE NUMBER(S)  
0121, 0122.

**TO FIND**  
**THE CORRECT NUMBER OF THE PART YOU NEED:**  
**FOLLOW THE INSTRUCTIONS BELOW**

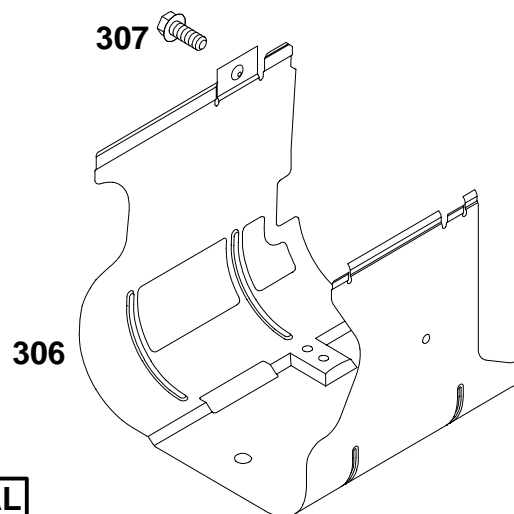
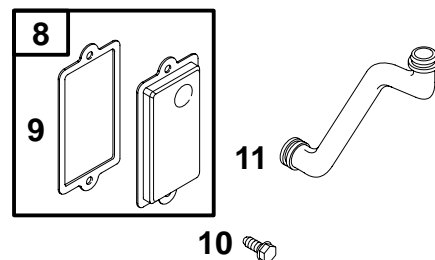
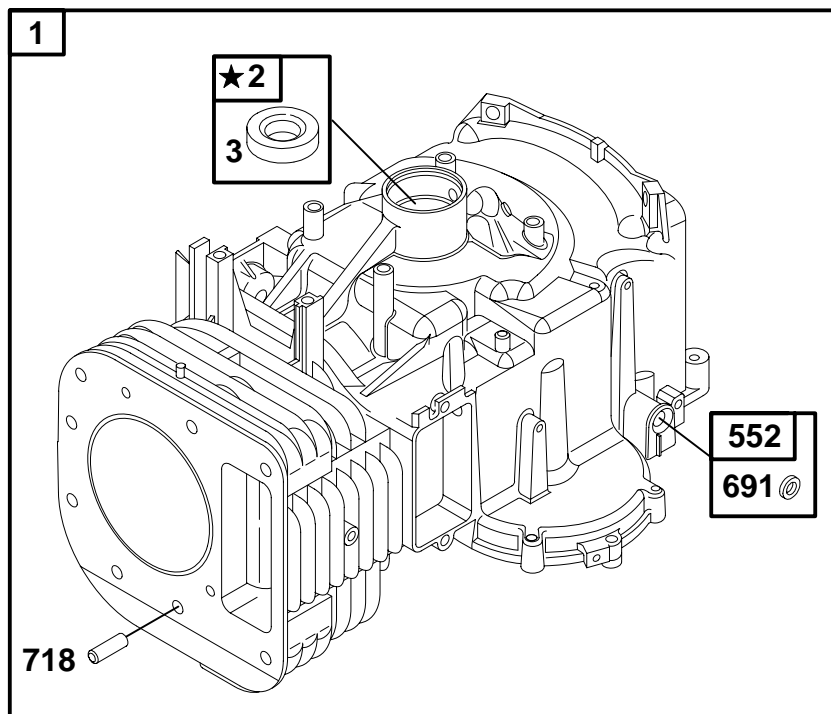
- A. Refer to Engine Model, Type and Code Number that is stamped on the blower housing of engine. Engine type numbers such as 0123 01 are listed only as 0123 in most instances. The two digits (01 or 02, etc.) to the right of the space may be required for more accurate parts identification in some instances. Select the Illustrated Parts List covering the correct Model Series and Type Number.
- B. Refer to the Illustrations and compare the original part with Illustration. The number next to the illustration is the Reference Number. Assemblies include all parts shown in frames. All parts shown in assembly frames having individual reference numbers can be purchased separately.
- C. After the Reference Number has been identified, refer to the Numerical text, where Reference and Primary Part Number are listed. **THE PRIMARY PART IS USED ON ALL TYPE NUMBERS EXCEPT THOSE TYPE NUMBERS UNDER "NOTE."**
- D. If a "Note" appears below the Primary Part Number, it means that this part differs from the Primary Part for certain types. If your Type number is listed under "Note," order the part referred to at the "Note."
- E. If your Engine Type Number does not appear after any part number listed under "Note," use the Primary Part Number.
- F. For Engine Type Numbers not covered by this book, check other Parts Lists having the same engine model or contact your source of supply.

PRINTED IN U.S.A.



COPYRIGHT by BRIGGS & STRATTON CORPORATION  
All rights reserved. No part of this material may be reproduced or transmitted, in any form or by any means, electronic or mechanical, including photocopying, recording or by any information storage and retrieval system, without permission in writing from Briggs & Stratton Corporation.

# 28W700 to 28W799



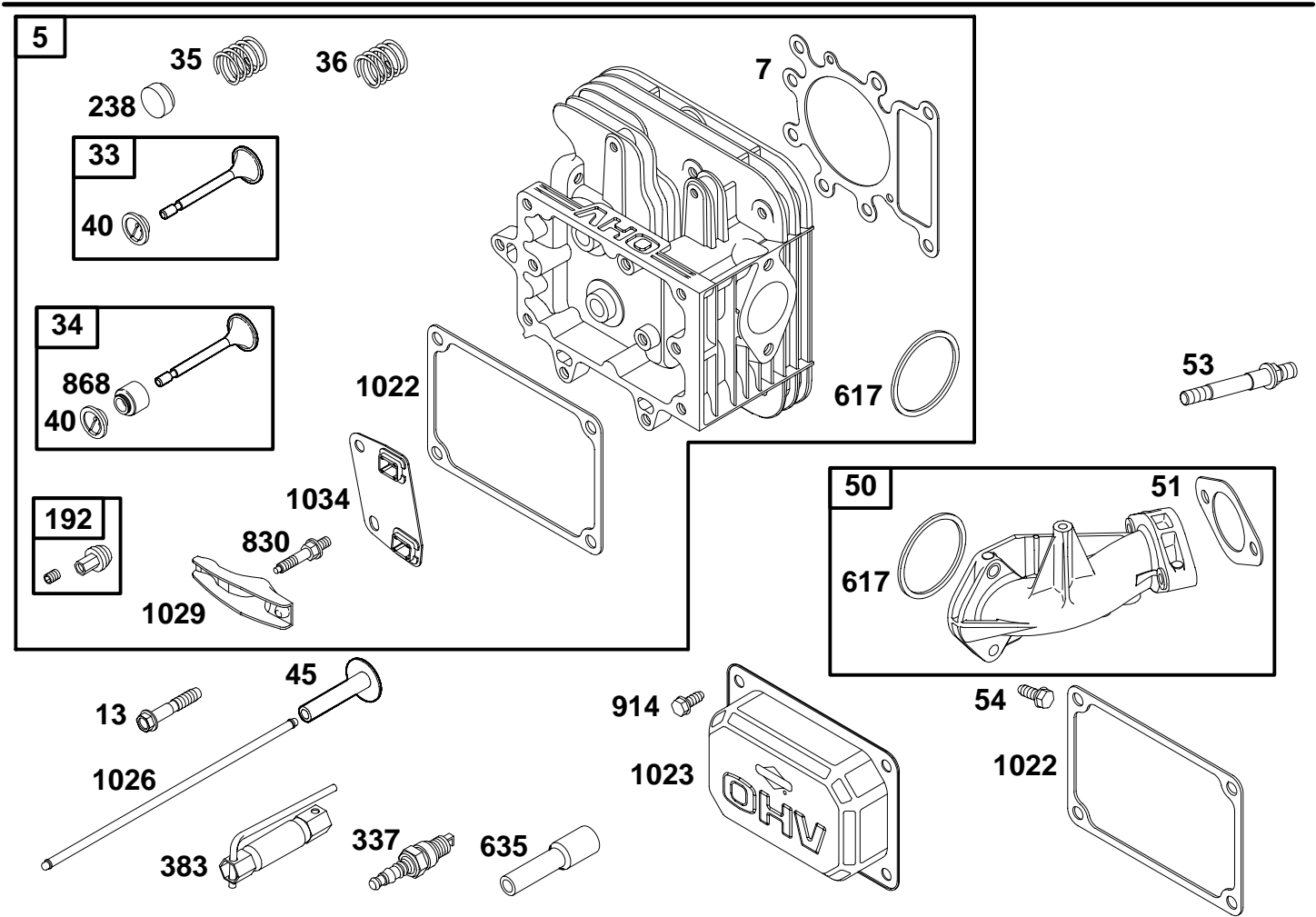
★ **REQUIRES SPECIAL TOOLS TO INSTALL. SEE REPAIR INSTRUCTION MANUAL.**

**1058 OWNER'S MANUAL**

REF. NO.	PART NO.	DESCRIPTION	REF. NO.	PART NO.	DESCRIPTION	REF. NO.	PART NO.	DESCRIPTION
1	496412	Cylinder Assembly	10	691666	Screw (Breather Assembly)	552	491986	Bushing-Governor Crank
2	399265	Kit-Bushing/Seal (Magneto Side)	11	691328	Tube-Breather	691	★491323	Seal-Governor Shaft
3	★391086	Seal-Oil (Magneto Side)	306	690499	Shield-Cylinder	718	230192	Pin-Locating
8	495735	Breather Assembly	307	94930	Screw (Cylinder Shield)	1058	273933	Manual-Owner's
9	★27803	Gasket-Breather						

★ Included in Engine Gasket Set-Ref. No. 358.  
 △ Included in Valve Gasket Set-Ref. No. 1095.

◆ Included in Carburetor Gasket Set-Ref. No. 977.  
 ● Included in Carburetor Overhaul Kit-Ref. No. 121.

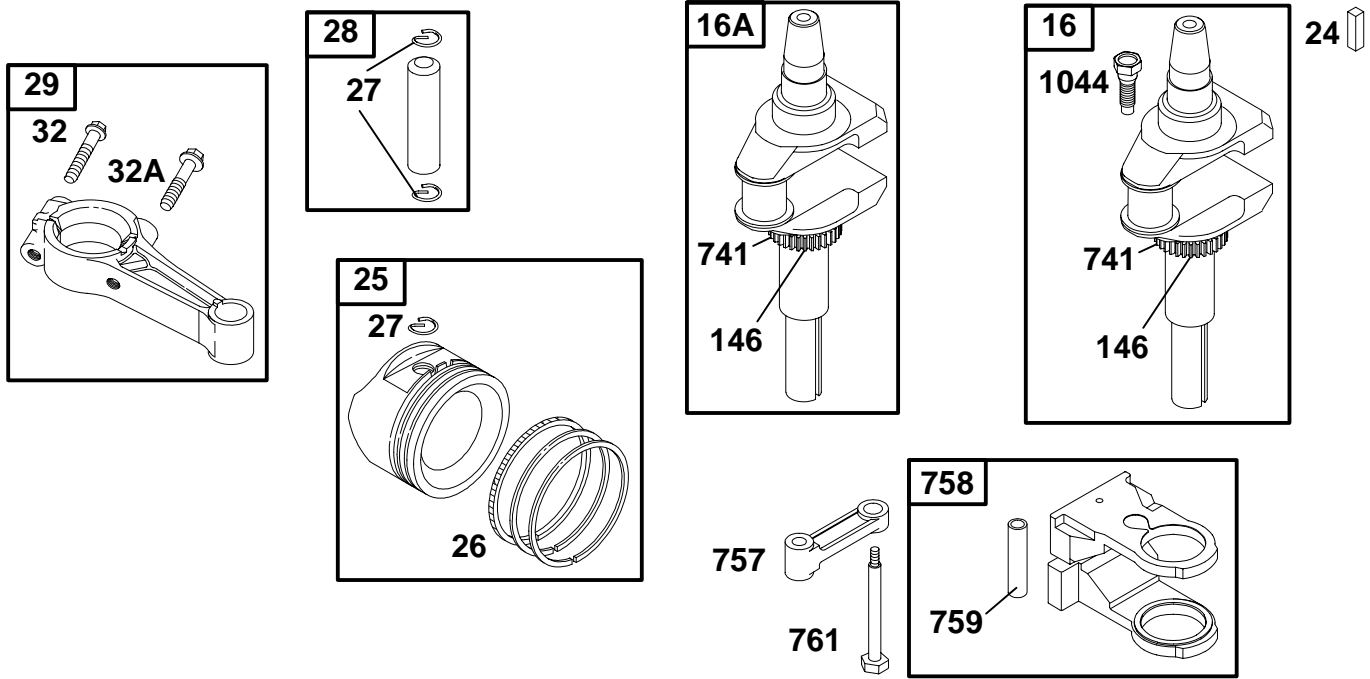


REF. NO.	PART NO.	DESCRIPTION	REF. NO.	PART NO.	DESCRIPTION	REF. NO.	PART NO.	DESCRIPTION
5	691165	Head-Cylinder	53	690227	Stud (Carburetor)	868	Δ*690968	Seal-Valve
7	Δ*273280	Gasket-Cylinder Head	54	691148	Screw (Rocker Arm Cover)	914	690960	Screw (Rocker Arm Cover)
13	690360	Screw (Cylinder Head)	192	492160	Adjuster-Rocker Arm	1022	Δ*272475	Gasket-Rocker Cover
33	495856	Valve-Exhaust	238	262836	Cap-Valve	1023	691192	Cover-Rocker Arm
34	495857	Valve-Intake	337	491055	Sparkplug	1026	494432	Rod-Push (Intake)
35	691279	Valve Spring (Intake)	383	89838	Wrench-Sparkplug	————— <b>Note</b> —————		
36	691279	Spring-Valve (Exhaust)	617	Δ*692138	Seal-O-Ring (Intake Manifold)	495136		Rod-Push (Exhaust)
40	224641	Retainer-Valve	635	280872	Boot-Sparkplug	1029	224554	Arm-Rocker
45	690564	Tappet-Valve	830	691095	Stud (Rocker Arm)	1034	690822	Guide-Push Rod
50	690193	Manifold-Intake						
51	★◆273650	Gasket-Intake						

★ Included in Engine Gasket Set-Ref. No. 358.  
 Δ Included in Valve Gasket Set-Ref. No. 1095.

◆ Included in Carburetor Gasket Set-Ref. No. 977.  
 ● Included in Carburetor Overhaul Kit-Ref. No. 121.

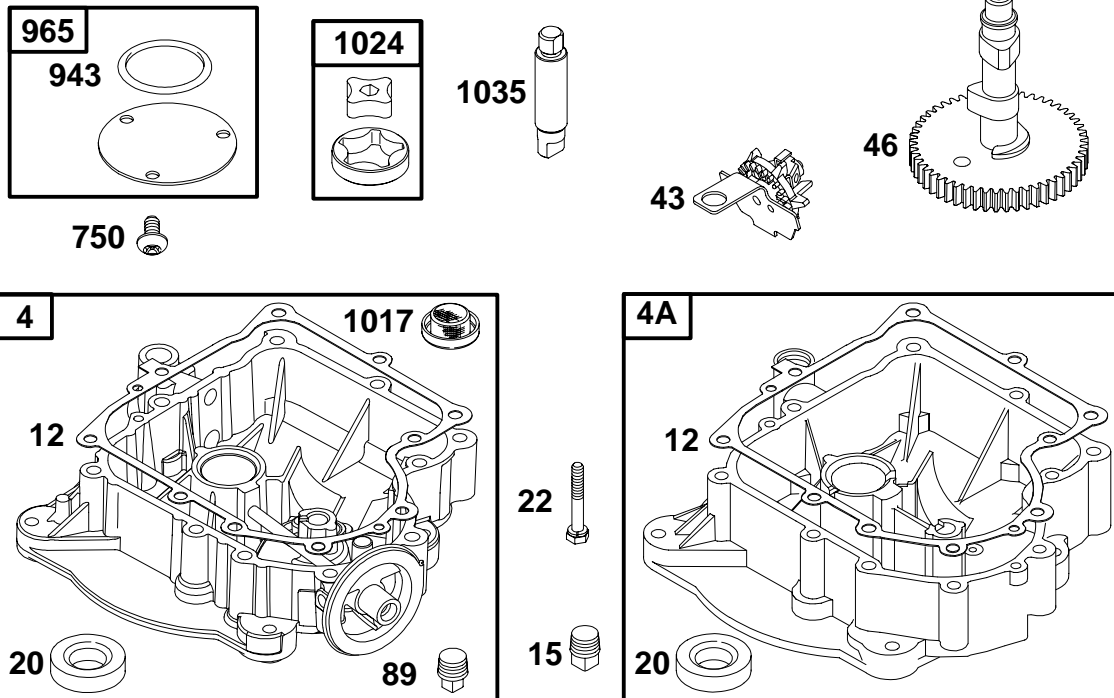
# 28W700 to 28W799



REF. NO.	PART NO.	DESCRIPTION	REF. NO.	PART NO.	DESCRIPTION	REF. NO.	PART NO.	DESCRIPTION
16	690136	Crankshaft (Used After Code Date 98063000).	26	495854	Ring Set (Standard) ———— <b>Note</b> ———	32A	690348	Screw (Connecting Rod) (1 5/8" Long)
16A	693944	Crankshaft (Used After Code Date 95073100 and Before Code Date 98070100). ———— <b>Note</b> ——— 693653 Crankshaft (Used Before Code Date 95080100).		495852	Ring Set (.010" O.S.)	146	94196	Key-Timing
24	222698	Key-Flywheel		495851	Ring Set (.020" O.S.)	741	691284	Gear-Timing
25	499284	Piston Assembly (Standard) ———— <b>Note</b> ——— 499288 Piston Assembly (.010" O.S.) 499292 Piston Assembly (.020" O.S.) 499296 Piston Assembly (.030" O.S.)	27	691299	Lock-Piston Pin	757	213998	Link-Counterweight
			28	498319	Pin-Piston (Standard) ———— <b>Note</b> ——— 498320 Pin-Piston (.005" O.S.)	758	692423	Counterweight
			29	692419	Rod-Connecting (Standard) ———— <b>Note</b> ——— 495490 Rod- Connecting (.020" Undersize)	759	691239	Pin-Counterweight
			32	690356	Screw (Connecting Rod) (1 7/8" Long)	761	691096	Screw (Counterweight)
						1044	94673	Screw (Crankshaft)

★ Included in Engine Gasket Set-Ref. No. 358.  
 △ Included in Valve Gasket Set-Ref. No. 1095.

◆ Included in Carburetor Gasket Set-Ref. No. 977.  
 ● Included in Carburetor Overhaul Kit-Ref. No. 121.



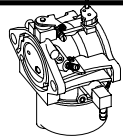
REF. NO.	PART NO.	DESCRIPTION	REF. NO.	PART NO.	DESCRIPTION	REF. NO.	PART NO.	DESCRIPTION
4	693582	Sump-Engine	20	★291675	Seal-Oil (PTO Side)	89	690283	Plug-Oil
4A	494238	Sump-Engine	22	692125	Screw (Crankcase Cover/Sump)	750	691033	Screw (Oil Pump Cover)
12	★271916	Gasket-Crankcase (.015" Standard)	43	490815	Slinger-Governor/Oil	943	690589	Seal-O-Ring (Oil Pump Cover)
		<b>Note</b>	46	692421	Camshaft Used on Type No(s). 0121.	965	499613	Cover-Oil Pump
		★271997 Gasket-Crankcase (.005")			<b>Note</b>	1017	690770	Screen-Oil Pump
		★271996 Gasket-Crankcase (.009")			293450 Camshaft Used on Type No(s). 0122.	1024	499054	Pump-Oil
15	94239	Plug-Oil Drain				1035	693784	Shaft-Pump

★ Included in Engine Gasket Set-Ref. No. 358.  
 Δ Included in Valve Gasket Set-Ref. No. 1095.

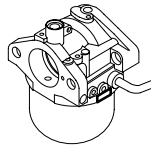
◆ Included in Carburetor Gasket Set-Ref. No. 977.  
 ● Included in Carburetor Overhaul Kit-Ref. No. 121.

# 28W700 to 28W799

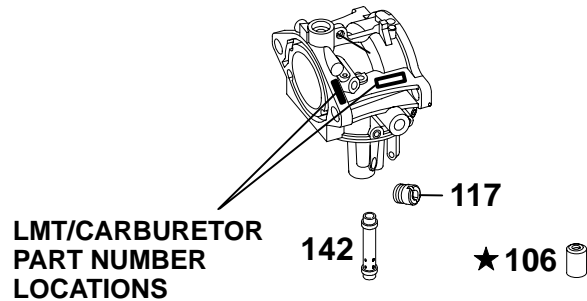
## WALBRO



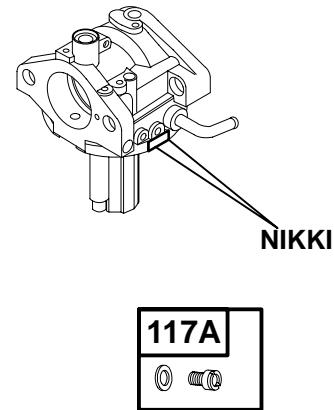
## NIKKI



125



125A



★ **REQUIRES SPECIAL TOOLS TO INSTALL. SEE REPAIR INSTRUCTION MANUAL.**

SEE NEXT PAGE FOR COMPONENT SERVICE

REF. NO.	PART NO.	DESCRIPTION	REF. NO.	PART NO.	DESCRIPTION	REF. NO.	PART NO.	DESCRIPTION
106	●231854	Seat-Inlet	117A	●695415	Jet-Main	125A		Carburetor (Nikki)
117	●692408	Jet-Main (Standard)			<b>Note</b>			(Service with Walbro Carburetor)
		<b>Note</b>			●695416 Jet-Main (High Altitude)			
		●692411 Jet-Main (High Altitude)	125	499153	Carburetor (LMT 155)	142	●692412	Nozzle-Carburetor

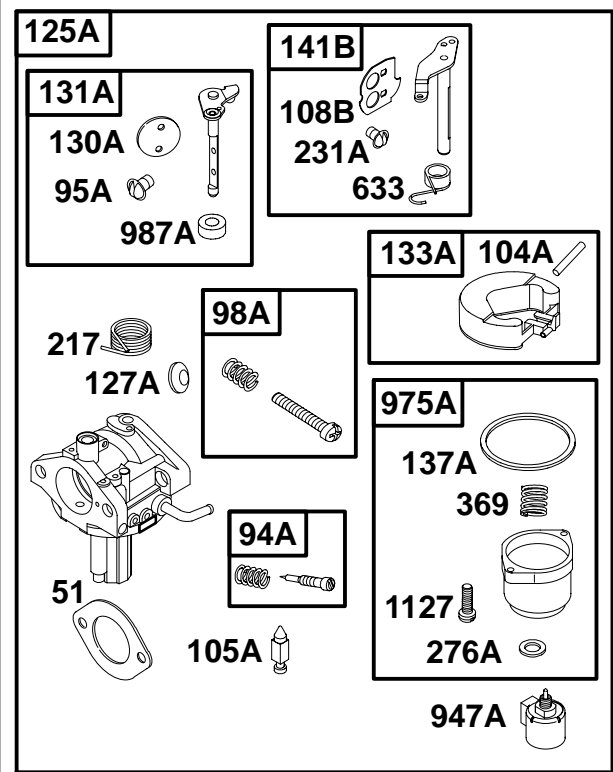
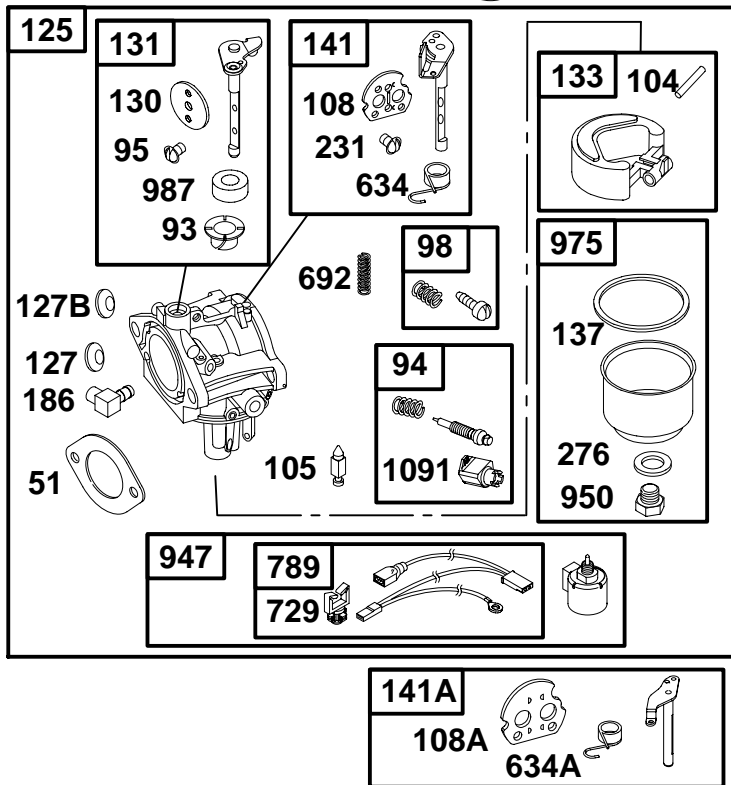
★ Included in Engine Gasket Set-Ref. No. 358.  
 Δ Included in Valve Gasket Set-Ref. No. 1095.

◆ Included in Carburetor Gasket Set-Ref. No. 977.  
 ● Included in Carburetor Overhaul Kit-Ref. No. 121.

**WALBRO**



**NIKKI**

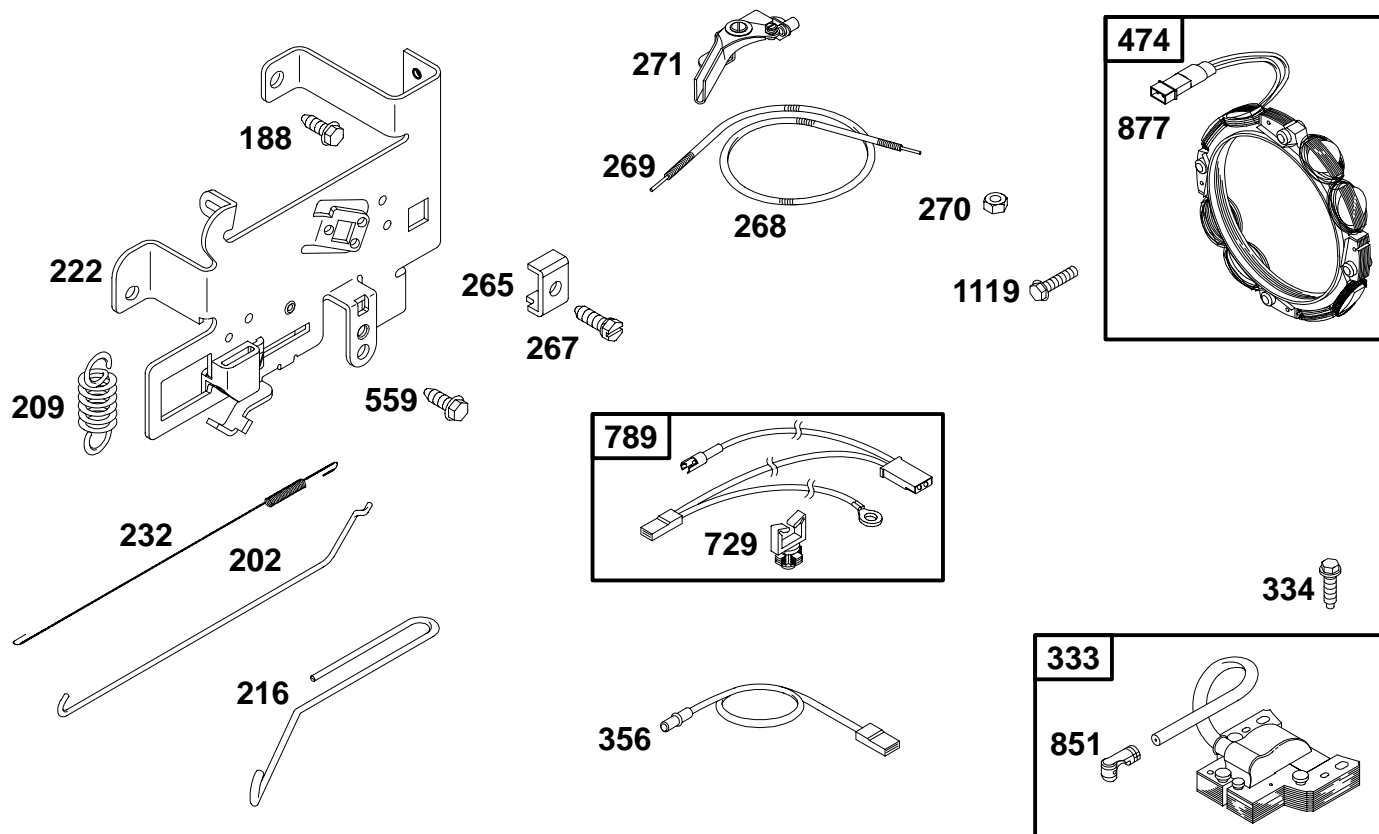


REF. NO.	PART NO.	DESCRIPTION	REF. NO.	PART NO.	DESCRIPTION	REF. NO.	PART NO.	DESCRIPTION
51	★◆273650	Gasket-Intake	125A		Carburetor (See Previous Page for Service)	231A	◆690718	Screw (Choke Valve)
93	690602	Bushing-Throttle Shaft	127	◆694530	Plug-Welch	276	◆281164	Washer-Sealing
94	498030	Kit-Idle Mixture	127B	◆695005	Plug-Welch	276A	◆695410	Washer-Sealing
94A	695425	Kit-Idle Mixture	127A	◆690727	Plug-Welch	369	695422	Spring-Float Bowl
95	◆94098	Screw (Throttle Valve)	130	224539	Valve-Throttle	633	695414	Seal-Choke/Throttle Shaft
95A	◆690718	Screw (Throttle Valve)	130A	695418	Valve-Throttle	634	◆690801	Spring/Seal Assembly (LMT 155)
98	495800	Kit-Idle Speed	131	494379	Kit-Throttle Shaft	634A	◆690802	Spring/Seal Assembly (LMT 154) (Choke A Matic)
98A	695408	Kit-Idle Speed	131A	695421	Kit-Throttle Shaft	692	690572	Spring-Detent
104	◆690525	Pin-Float Hinge	133	494381	Float-Carburetor	729	691335	Clip-Wire
104A	◆694918	Pin-Float Hinge	133A	694914	Float-Carburetor	789	497708	Harness-Wiring
105	◆231855	Valve-Float Needle	137	◆281165	Gasket-Float Bowl	947	692734	Solenoid-Fuel
105A	◆694922	Valve-Float Needle	137A	◆695426	Gasket-Float Bowl	947A	695423	Solenoid-Fuel
108	690464	Valve-Choke (LMT 155)	141	495097	Kit-Choke Shaft (LMT 155)	950	94642	Screw (Float Bowl)
108A	692344	Valve-Choke (LMT 154)	141A	495931	Kit-Choke Shaft (LMT 154)	975	495933	Bowl-Float
108B	695419	Valve-Choke	141B	695420	Kit-Choke Shaft	975A	695417	Bowl-Float
125		Carburetor (See Previous Page for Service)	186	493496	Connector-Hose	987	◆691326	Seal-Throttle Shaft
			217	695409	Spring-Choke Return	987A	◆281765	Seal-Throttle Shaft
			231	◆94098	Screw (Choke Valve)	1091	691333	Cap-Limiter
						1127	695407	Screw (Float Bowl)

★ Included in Engine Gasket Set-Ref. No. 358.  
 Δ Included in Valve Gasket Set-Ref. No. 1095.

◆ Included in Carburetor Gasket Set-Ref. No. 977.  
 ● Included in Carburetor Overhaul Kit-Ref. No. 121.

# 28W700 to 28W799

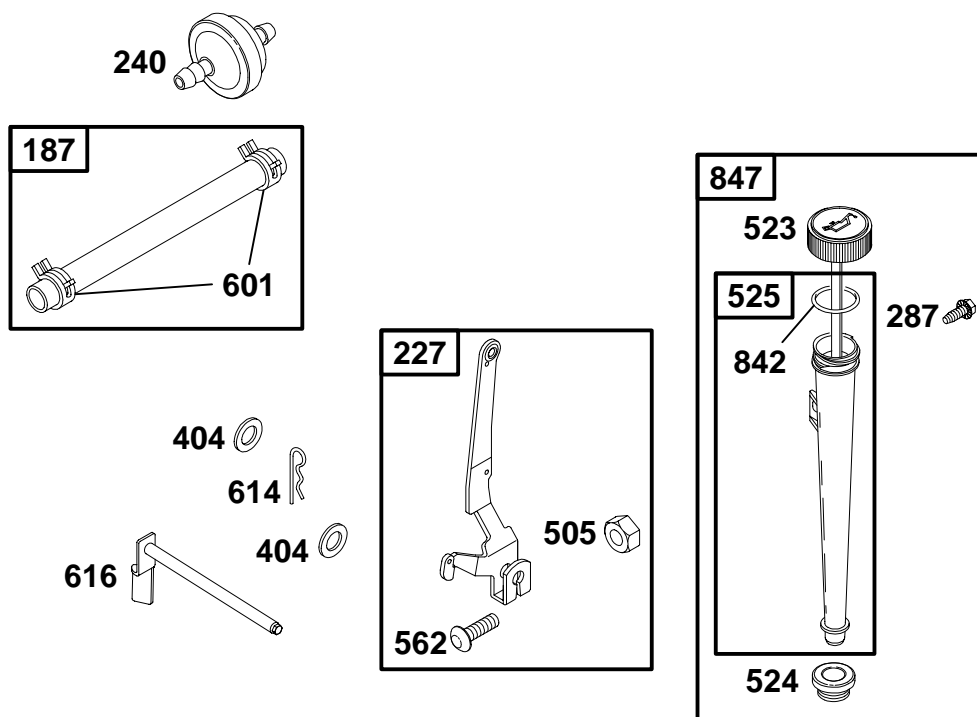


REF. NO.	PART NO.	DESCRIPTION	REF. NO.	PART NO.	DESCRIPTION	REF. NO.	PART NO.	DESCRIPTION
188	94929	Screw (Control Bracket)	232	262785	Link Spring—Governor	334	94731	Screw (Magneto Armature)
202	262767	Link—Mechanical Governor	265	221535	Clamp—Casing	356	690807	Wire—Stop
209	260695	Spring—Governor	267	94906	Screw (Casing Clamp)	474	393474	Alternator
216	262766	Link—Choke	268	65616	Casing—Control Wire (Cut to Required Length)	559	94896	Screw (Remote Choke Stop)
222	694042	Bracket—Control (Used After Code Date 99010700).	269	26633	Wire—Control (Cut to Required Length)	729	691335	Clip—Wire
		<b>Note</b>	270	63426	Nut (Control Wire Casing)	789	497708	Harness—Wiring
		495611 Bracket—Control (Used Before Code Date 99010800).	271	290568	Lever—Control	851	692424	Terminal—Sparkplug
			333	495859	Armature—Magneto	877	393456	Wire—Alternator/Connector
						1119	93621	Screw (Alternator)

★ Included in Engine Gasket Set—Ref. No. 358.  
 Δ Included in Valve Gasket Set—Ref. No. 1095.

◆ Included in Carburetor Gasket Set—Ref. No. 977.  
 ● Included in Carburetor Overhaul Kit—Ref. No. 121.



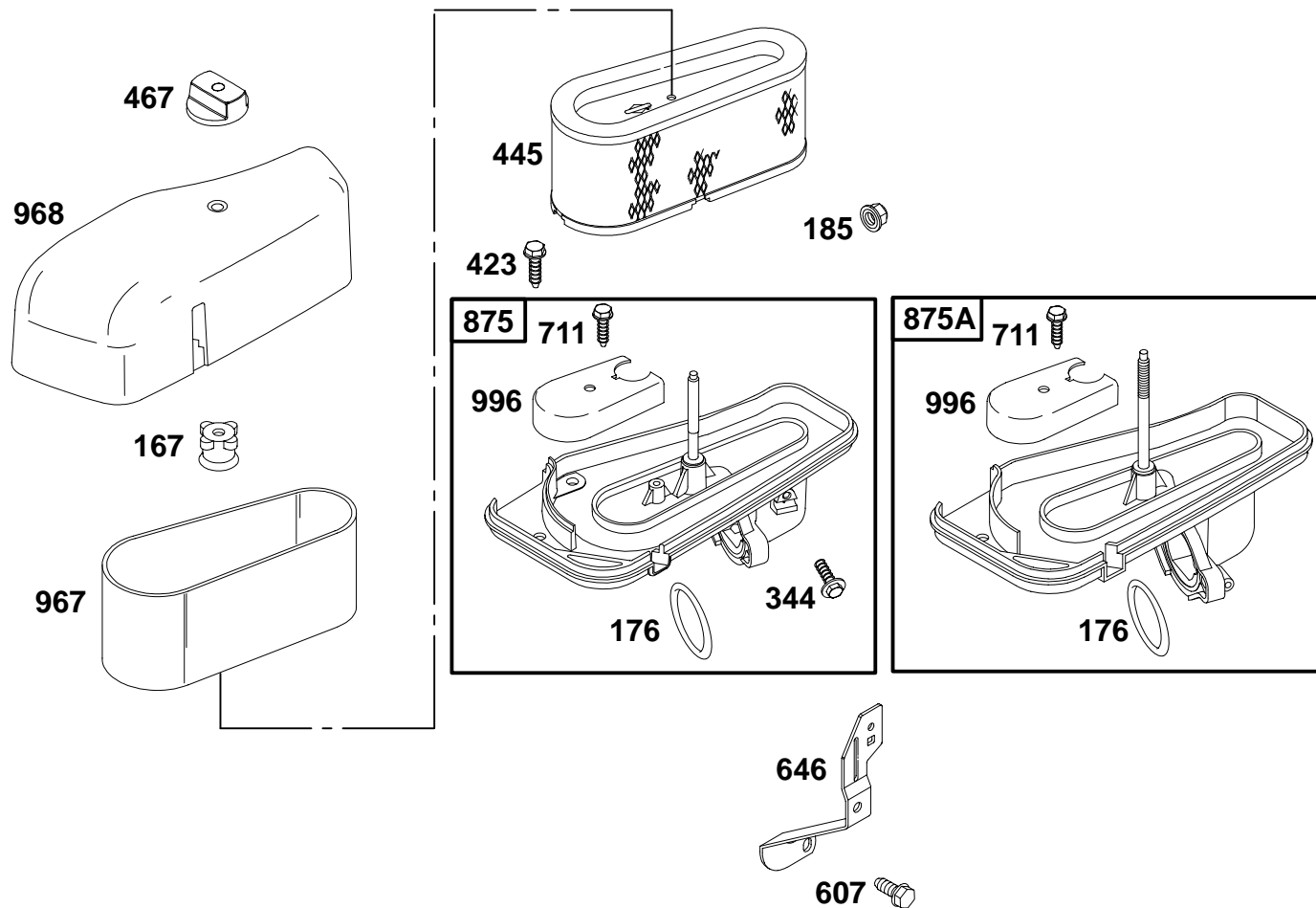


REF. NO.	PART NO.	DESCRIPTION	REF. NO.	PART NO.	DESCRIPTION	REF. NO.	PART NO.	DESCRIPTION
187	298049	Line-Fuel (Cut to Required Length)	505	691251	Nut (Governor Control Lever)	601	95162	Clamp-Hose
227	691374	Lever-Governor Control	523	495230	Dipstick	614	93306	Pin-Cotter
240	298090	Filter-Fuel	524	★281370	Seal-Dipstick Tube	616	495157	Crank-Governor
287	94903	Screw (Dipstick Tube)	525	691398	Tube-Dipstick	842	★270920	O-Ring Seal
404	94927	Washer (Governor Crank)	562	691119	Bolt (Governor Control Lever)	847	496415	Dipstick/Tube Assembly

★ Included in Engine Gasket Set-Ref. No. 358.  
 Δ Included in Valve Gasket Set-Ref. No. 1095.

◆ Included in Carburetor Gasket Set-Ref. No. 977.  
 ● Included in Carburetor Overhaul Kit-Ref. No. 121.

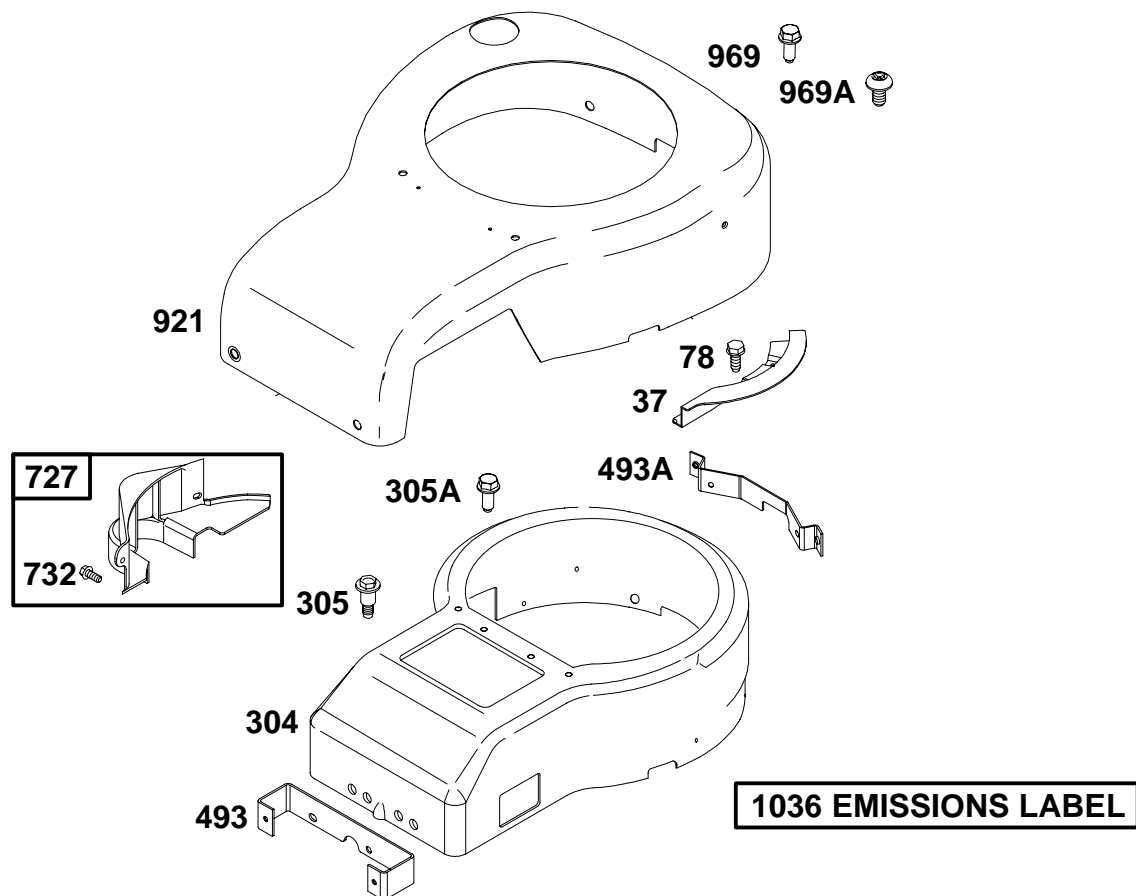
# 28W700 to 28W799



REF. NO.	PART NO.	DESCRIPTION	REF. NO.	PART NO.	DESCRIPTION	REF. NO.	PART NO.	DESCRIPTION
167	281051	Seal—Air Cleaner Nut	445	496894	Filter—Air Cleaner Cartridge	875	693686	Base—Air Cleaner (Used After Code Date 98091300).
176	★281106	O-Ring Seal (Air Cleaner Base)	467	493903	Knob—Air Cleaner	875A	495862	Base—Air Cleaner (Used Before Code Date 98091400).
185	94010	Nut (Air Cleaner Brace)	607	94929	Screw (Air Cleaner Brace)	967	272403	Filter—Pre Cleaner
344	693675	Screw (Cable Clamp)	646	690460	Brace—Air Cleaner	968	692139	Cover—Air Cleaner
423	692129	Screw (Air Cleaner Base)	711	690703	Screw (Carburetor Shield)	996	690678	Shield—Carburetor

★ Included in Engine Gasket Set—Ref. No. 358.  
 Δ Included in Valve Gasket Set—Ref. No. 1095.

◆ Included in Carburetor Gasket Set—Ref. No. 977.  
 ● Included in Carburetor Overhaul Kit—Ref. No. 121.

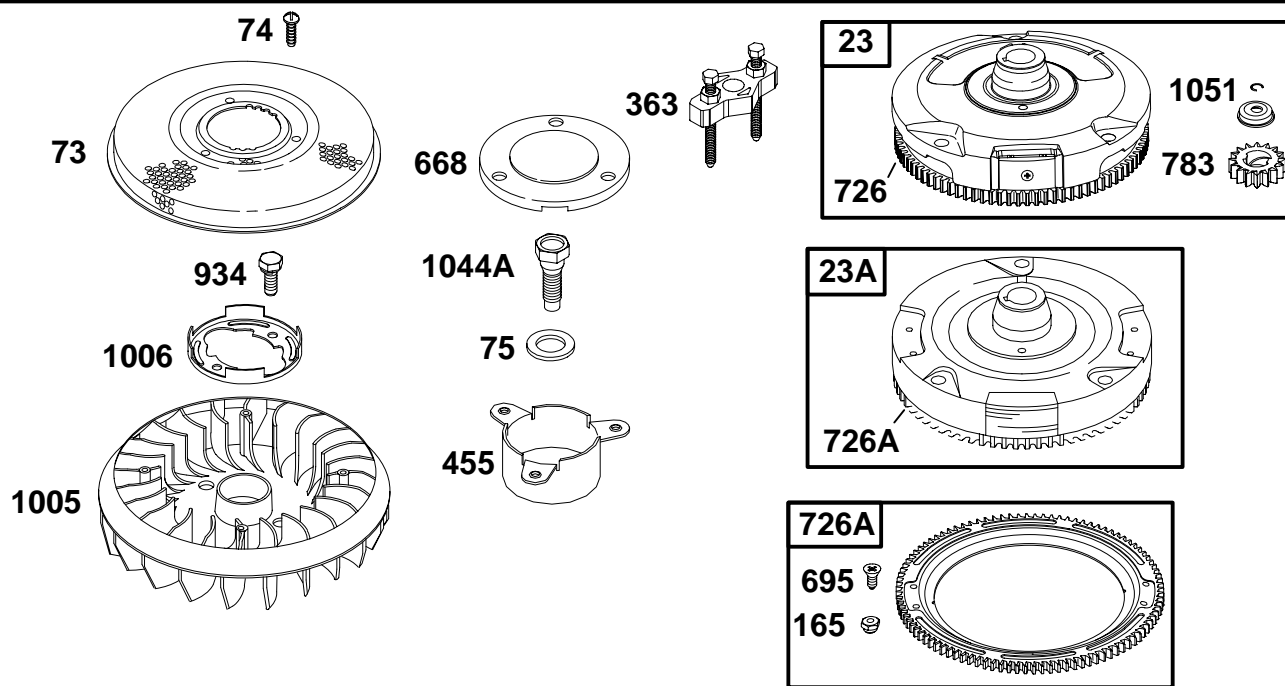


REF. NO.	PART NO.	DESCRIPTION	REF. NO.	PART NO.	DESCRIPTION	REF. NO.	PART NO.	DESCRIPTION
37	690456	Guard-Flywheel (Rotating Screen)	727	490324	Cover-Starter Drive	1036	695700	Label-Emissions (Used After Code Date 00063000).
78	94896	Screw (Flywheel Guard)	732	94903	Screw (Starter Drive Cover)	<p align="center"><b>Note</b></p>		
304	690497	Housing-Blower	921	692417	Cover-Blower Housing	695036	Label-Emissions (Used After Code Date 99093000 and Before Code Date 00070100).	
305	692127	Screw (Blower Housing)	969	690960	Screw (Blower Housing Cover)	695036	Label-Emissions (Used After Code Date 98123100 and Before Code Date 99100100).	
305A	690960	Screw (Blower Housing)	969A	690365	Screw (Blower Housing Cover)	499364	Label-Emissions (Used Before Code Date 99010100).	
493	690493	Bracket-Mounting (Front)						
493A	690494	Bracket-Mounting (Rear)						

★ Included in Engine Gasket Set-Ref. No. 358.  
 Δ Included in Valve Gasket Set-Ref. No. 1095.

◆ Included in Carburetor Gasket Set-Ref. No. 977.  
 ● Included in Carburetor Overhaul Kit-Ref. No. 121.

# 28W700 to 28W799

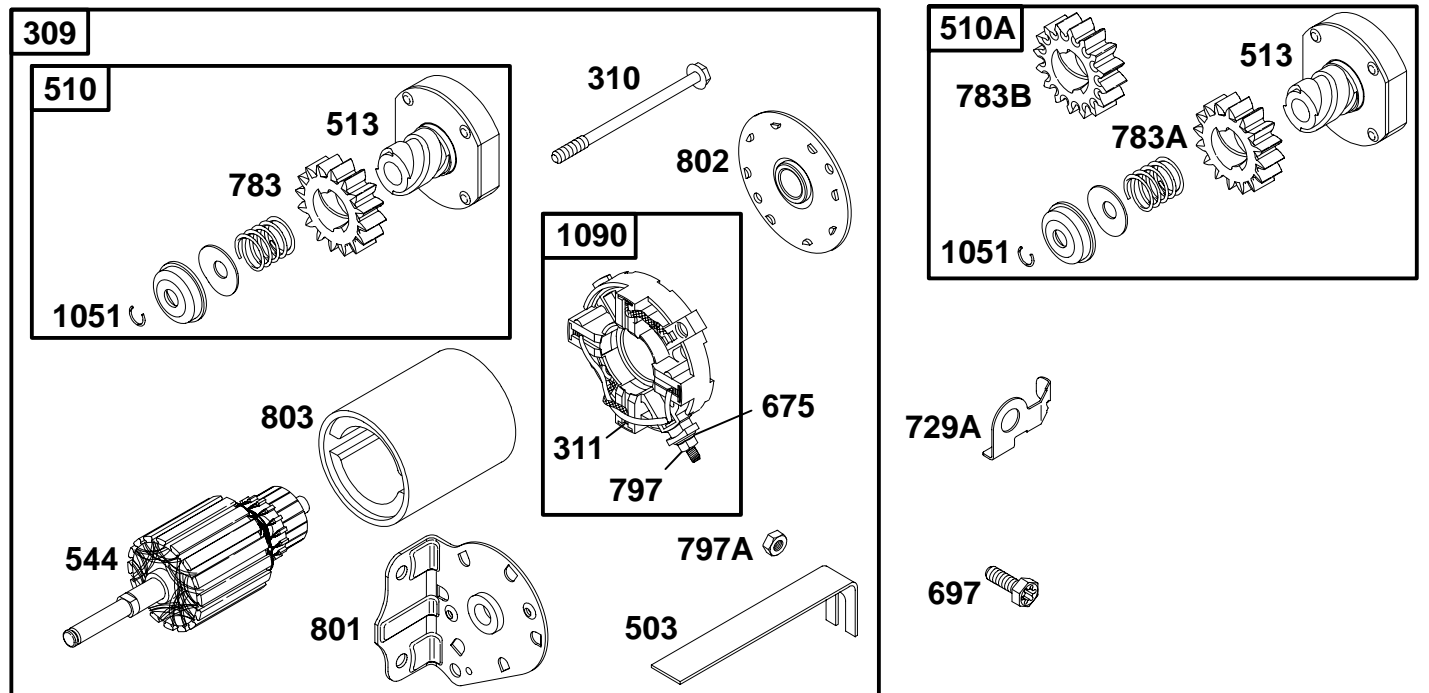


REF. NO.	PART NO.	DESCRIPTION	REF. NO.	PART NO.	DESCRIPTION	REF. NO.	PART NO.	DESCRIPTION
23	693557	Flywheel (Steel Ring Gear) (Used After Code Date 98091400).	363	19203	Puller-Flywheel	783	693713	Gear-Pinion (For Steel Ring Gear Only)
23A	492326	Flywheel (Plastic Ring Gear) (Used Before Code Date 98091500).	455	691173	Cup-Flywheel	934	94627	Screw (Fan Retainer)
73	690492	Screen-Rotating	668	691323	Spacer (Ring Gear)	1005	281400	Fan-Flywheel
74	94626	Screw (Rotating Screen)	695	693109	Screw (Ring Gear)	1006	690452	Retainer-Fan
75	225136	Washer (Flywheel)	726		Gear-Ring (Steel) (See Ref. 23 for Service)	1044A	94673	Screw (Flywheel)
165	693148	Nut (Ring Gear)	726A	399676	Gear-Ring (Aluminum) (Services Plastic Ring Gear Only)	1051	263080	Ring-Retaining

★ Included in Engine Gasket Set-Ref. No. 358.  
 Δ Included in Valve Gasket Set-Ref. No. 1095.

◆ Included in Carburetor Gasket Set-Ref. No. 977.  
 ● Included in Carburetor Overhaul Kit-Ref. No. 121.

# 28W700 to 28W799

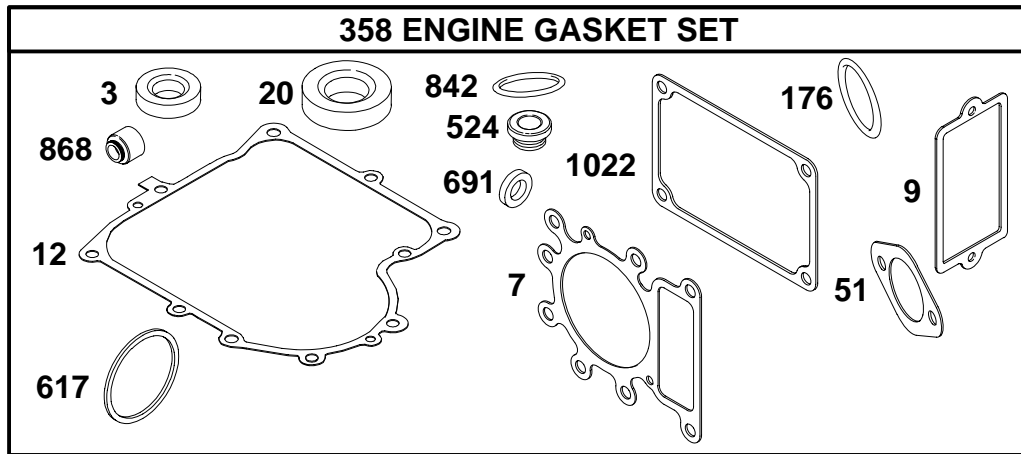
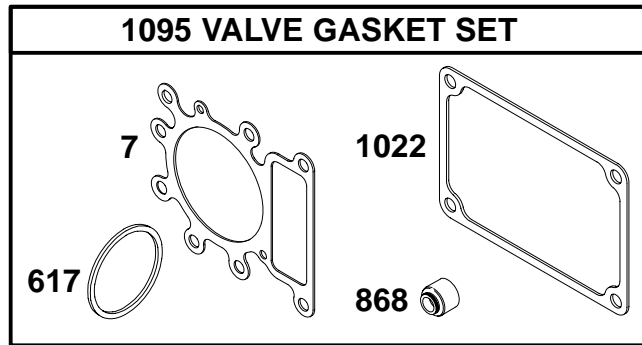


REF. NO.	PART NO.	DESCRIPTION	REF. NO.	PART NO.	DESCRIPTION	REF. NO.	PART NO.	DESCRIPTION
309	693551	Motor-Starter (For Steel Ring Gear Only)	510A	497606	Drive-Starter (Used With Aluminum & Plastic Ring Gears)	783A	693059	Gear-Pinion (For Aluminum Ring Gear Only)
		<b>Note</b>	513	398003	Clutch-Drive	783B	693058	Gear-Pinion (For Plastic Ring Gear Only)
		497595 Motor-Starter (For Plastic Ring Gear Only)	544	497603	Armature-Starter	797	693167	Nut (Brush Retainer)
310	690323	Bolt (Starter Motor)	675	225137	Washer (Brush Retainer)	797A	92278	Nut (Brush Retainer)
311	497608	Set-Brush	697	690372	Screw (Drive Cap)	801	691429	Cap-Drive
503	691532	Strap-Starter	729A	691224	Clip-Wire	802	497607	Cap-End
510	693699	Drive-Starter (Used With Steel Ring Gear)	783	693713	Gear-Pinion (For Steel Ring Gear Only)	803	691427	Housing-Starter
						1051	263080	Ring-Retaining
						1090	497605	Retainer-Brush

★ Included in Engine Gasket Set-Ref. No. 358.  
 Δ Included in Valve Gasket Set-Ref. No. 1095.

◆ Included in Carburetor Gasket Set-Ref. No. 977.  
 ● Included in Carburetor Overhaul Kit-Ref. No. 121.

# 28W700 to 28W799

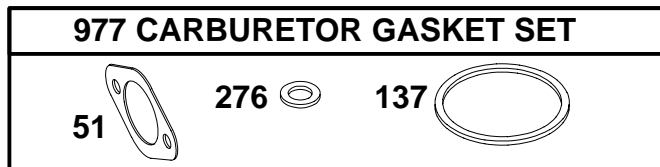
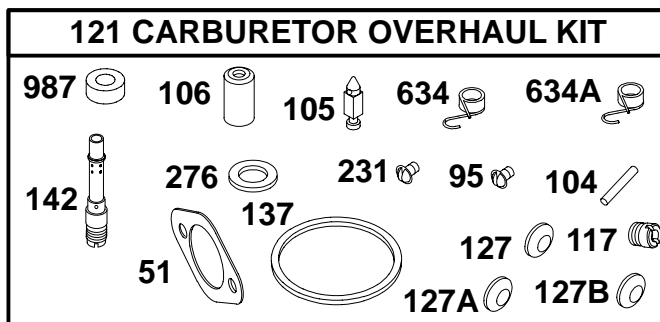


REF. NO.	PART NO.	DESCRIPTION	REF. NO.	PART NO.	DESCRIPTION	REF. NO.	PART NO.	DESCRIPTION
3	★391086	Seal-Oil (Magneto Side)	20	★291675	Seal-Oil (PTO Side)	617	Δ★692138	Seal-O-Ring (Intake Manifold)
7	Δ★273280	Gasket-Cylinder Head	51	★◆273650	Gasket-Intake	691	★491323	Seal-Governor Shaft
9	★27803	Gasket-Breather	176	★281106	O-Ring Seal (Air Cleaner Base)	842	★270920	O-Ring Seal
12	★271916	Gasket-Crankcase (.015" Standard)	358	691580	Gasket Set-Engine	868	Δ★690968	Seal-Valve
		<b>Note</b>	524	★281370	Seal-Dipstick Tube	1022	Δ★272475	Gasket-Rocker Cover
		★271997 Gasket-Crankcase (.005")				1095	691581	Gasket Set-Valve
		★271996 Gasket-Crankcase (.009")						

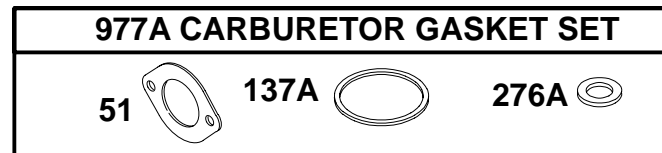
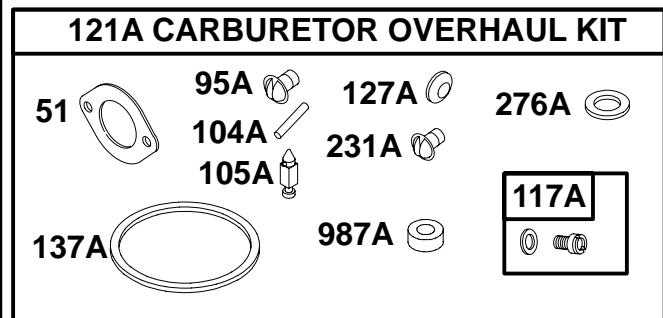
★ Included in Engine Gasket Set-Ref. No. 358.  
 Δ Included in Valve Gasket Set-Ref. No. 1095.

◆ Included in Carburetor Gasket Set-Ref. No. 977.  
 ● Included in Carburetor Overhaul Kit-Ref. No. 121.

## WALBRO



## NIKKI



REF. NO.	PART NO.	DESCRIPTION	REF. NO.	PART NO.	DESCRIPTION	REF. NO.	PART NO.	DESCRIPTION
51	273650	Gasket-Intake	117A	695415	Jet-Main (Standard)	231	94098	Screw (Choke Valve)
95	94098	Screw (Throttle Valve)			<b>Note</b>	231A	690718	Screw (Choke Valve)
95A	690718	Screw (Throttle Valve)			695416			Washer-Sealing (High Altitude)
104	690525	Pin-Float Hinge	121	690191	Kit-Carburetor Overhaul	276	281164	Washer-Sealing
104A	694918	Pin-Float Hinge	121A	695427	Kit-Carburetor Overhaul	276A	695410	Washer-Sealing
105	231855	Valve-Float Needle				634	690801	Spring/Seal Assembly (Manual Choke)
105A	694922	Valve-Float Needle				634A	690802	Spring/Seal Assembly (Choke A Matic)
106	231854	Seat-Inlet	127	695005	Plug-Welch	977	690192	Gasket Set-Carburetor
117	692408	Jet-Main (Standard)	127A	690727	Plug-Welch	977A	695428	Gasket Set-Carburetor
		<b>Note</b>	127B	695005	Plug-Welch	987	691326	Seal-Throttle Shaft
		692411	137	281165	Gasket-Float Bowl	987A	281765	Seal-Throttle Shaft
		(High Altitude)	137A	695426	Gasket-Float Bowl			
			142	692412	Nozzle-Carburetor			

★ Included in Engine Gasket Set-Ref. No. 358.  
 Δ Included in Valve Gasket Set-Ref. No. 1095.

◆ Included in Carburetor Gasket Set-Ref. No. 977.  
 ● Included in Carburetor Overhaul Kit-Ref. No. 121.