

## 28U700 to 28U799

# Illustrated Parts List

## Model Series

### 28U700 to 28U799

TYPE NUMBERS  
1174, 1175.

**TO FIND**  
**THE CORRECT NUMBER OF THE PART YOU NEED:**  
**FOLLOW THE INSTRUCTIONS BELOW**

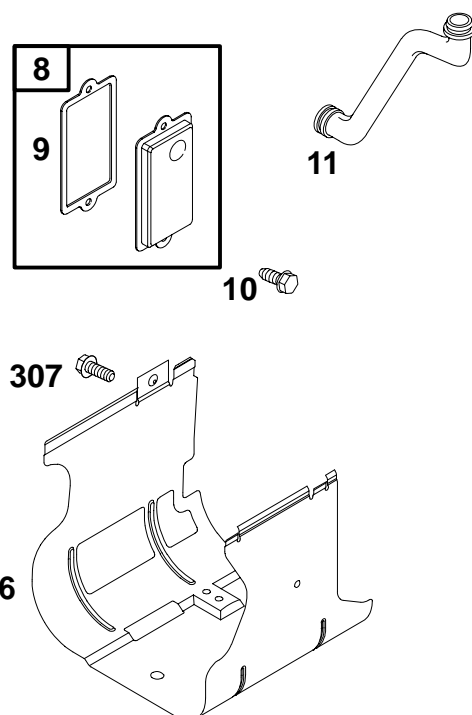
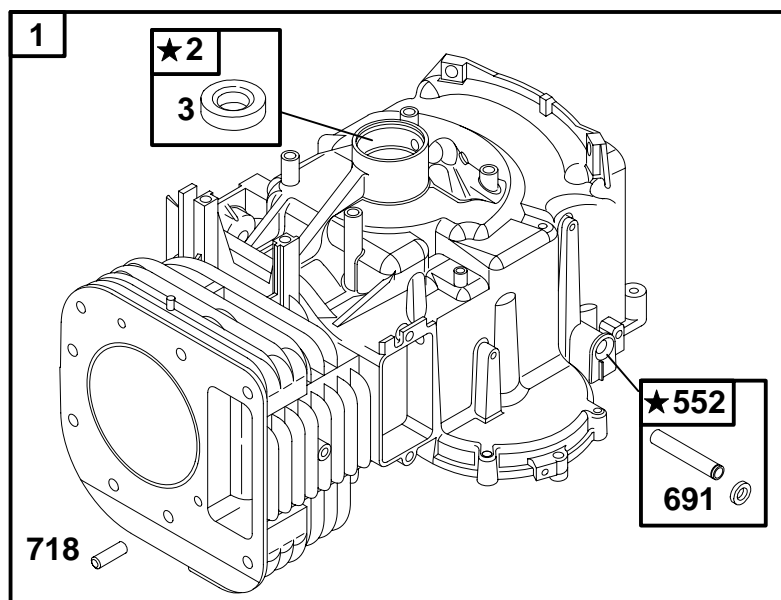
- A. Refer to Engine Model, Type and Code Number that is stamped on the blower housing of engine. Engine type numbers such as 0123 01 are listed only as 0123 in most instances. The two digits (01 or 02, etc.) to the right of the space may be required for more accurate parts identification in some instances. Select the Illustrated Parts List covering the correct Model Series and Type Number.
- B. Refer to the Illustrations and compare the original part with Illustration. The number next to the illustration is the Reference Number. Assemblies include all parts shown in frames. All parts shown in assembly frames having individual reference numbers can be purchased separately.
- C. After the Reference Number has been identified, refer to the Numerical text, where Reference and Primary Part Number are listed. **THE PRIMARY PART IS USED ON ALL TYPE NUMBERS EXCEPT THOSE TYPE NUMBERS UNDER "NOTE."**
- D. If a "Note" appears below the Primary Part Number, it means that this part differs from the Primary Part for certain types. If your Type number is listed under "Note," order the part referred to at the "Note."
- E. If your Engine Type Number does not appear after any part number listed under "Note," use the Primary Part Number.
- F. For Engine Type Numbers not covered by this book, check other Parts Lists having the same engine model or contact your source of supply.

PRINTED IN U.S.A.



COPYRIGHT by BRIGGS & STRATTON CORPORATION  
All rights reserved. No part of this material may be reproduced or transmitted, in any form or by any means, electronic or mechanical, including photocopying, recording or by any information storage and retrieval system, without permission in writing from Briggs & Stratton Corporation.

# 28U700 to 28U799



★ **REQUIRES SPECIAL TOOLS TO INSTALL. SEE REPAIR INSTRUCTION MANUAL.**

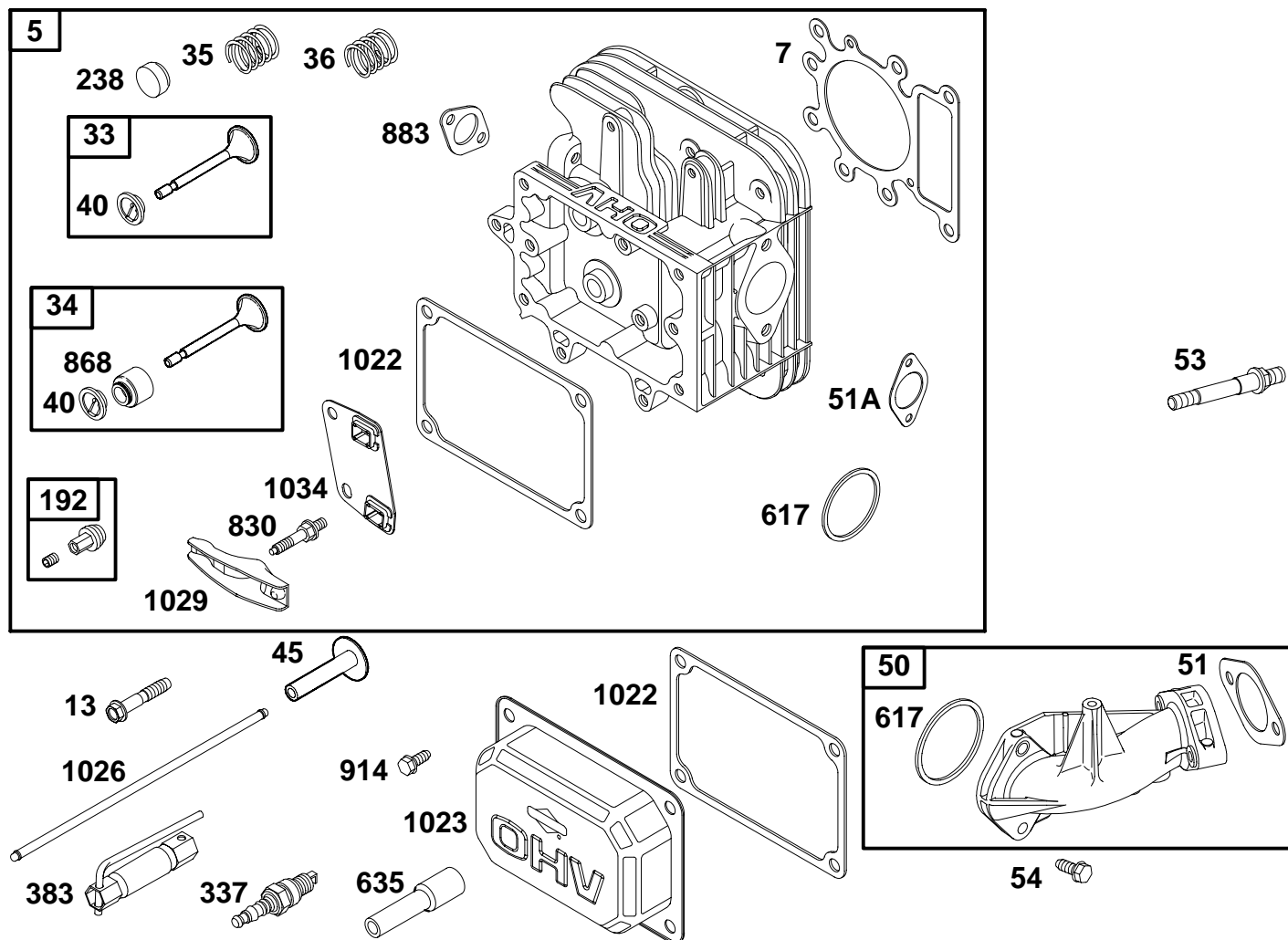
**1019 KIT-LABEL**

**1058 OWNER'S MANUAL**

REF. NO.	PART NO.	DESCRIPTION	REF. NO.	PART NO.	DESCRIPTION	REF. NO.	PART NO.	DESCRIPTION
1	496412	Cylinder Assembly	10	691666	Screw (Breather Assembly)	552	491986	Bushing-Governor Crank
2	399265	Kit-Bushing/Seal (Magneto Side)	11	691328	Tube-Breather	691	★491323	Seal-Governor Shaft
3	★391086	Seal-Oil (Magneto Side)	306	690499	Shield-Cylinder	718	230192	Pin-Locating
8	495735	Breather Assembly	307	94930	Screw (Cylinder Shield)	1019	496758	Kit-Label
9	★27803	Gasket-Breather				1058	273933	Owner's Manual

★ Included in Engine Gasket Set-Ref. No. 358.  
 Δ Included in Valve Gasket Set-Ref. No. 1095.

◆ Included in Carburetor Gasket Set-Ref. No. 977.  
 ● Included in Carburetor Overhaul Kit-Ref. No. 121.

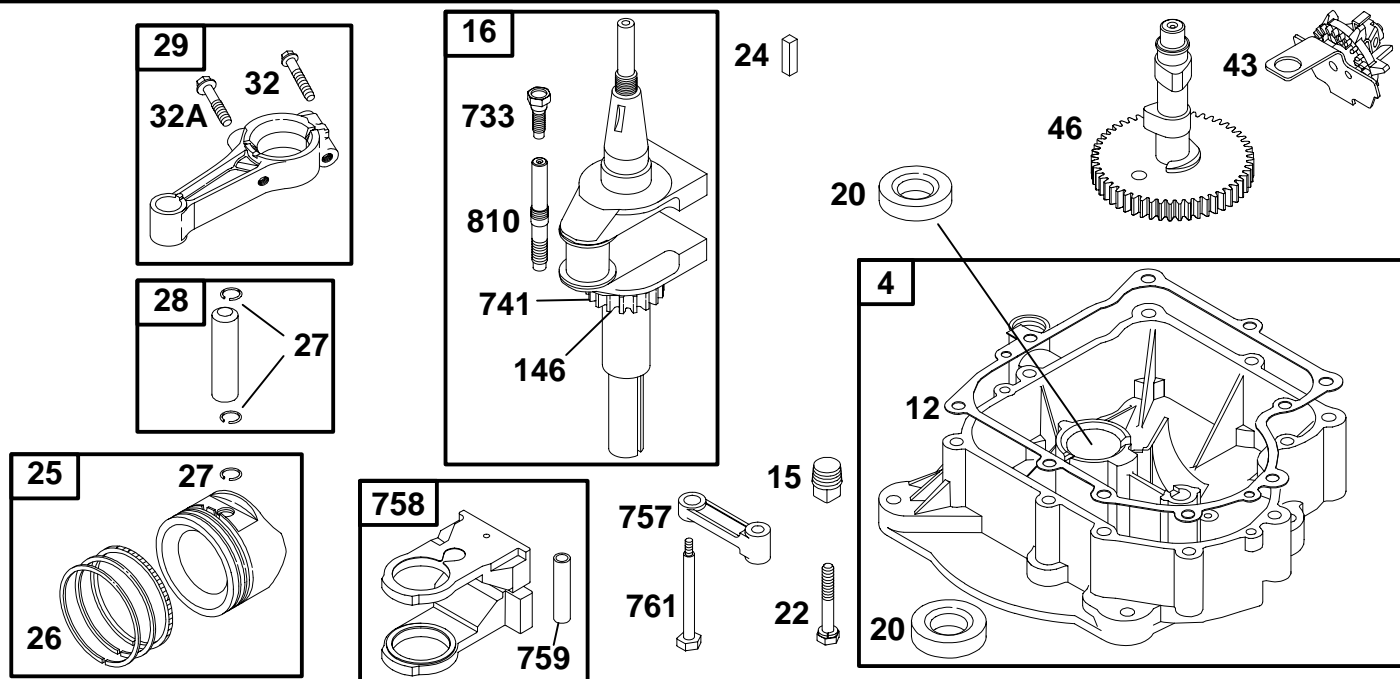


REF. NO.	PART NO.	DESCRIPTION	REF. NO.	PART NO.	DESCRIPTION	REF. NO.	PART NO.	DESCRIPTION
5	691165	Head-Cylinder	53	690227	Stud (Carburetor)	883	272293	Gasket-Exhaust
7	Δ*273280	Gasket-Cylinder Head	54	691148	Screw (Intake Manifold)	914	690960	Screw (Rocker Arm Cover)
13	690360	Screw (Cylinder Head)	192	492160	Adjuster-Rocker Arm	1022	Δ*272475	Gasket-Rocker Cover
33	495856	Valve-Exhaust	238	262836	Cap-Valve	1023	691192	Cover-Rocker Arm
34	495857	Valve-Intake	337	491055	Sparkplug	1026	494432	Rod-Push (Intake)
35	691279	Spring-Valve (Intake)	383	89838	Wrench-Sparkplug	————— <b>Note</b> —————		
36	691279	Spring-Valve (Exhaust)	617	Δ*692138	Seal-O Ring (Intake Manifold)		495136	Rod-Push (Exhaust)
40	224641	Retainer-Valve	635	280872	Boot-Sparkplug	1029	224554	Arm-Rocker
45	690564	Tappet-Valve	830	691095	Stud (Rocker Arm)	1034	690822	Guide-Push Rod
50	690193	Manifold-Intake	868	Δ*690968	Seal-Valve			
51★◆	◆273650	Gasket-Intake						
51A	272569	Gasket-Intake						

★ Included in Engine Gasket Set-Ref. No. 358.  
 Δ Included in Valve Gasket Set-Ref. No. 1095.

◆ Included in Carburetor Gasket Set-Ref. No. 977.  
 ● Included in Carburetor Overhaul Kit-Ref. No. 121.

# 28U700 to 28U799

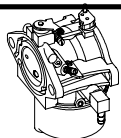


REF. NO.	PART NO.	DESCRIPTION	REF. NO.	PART NO.	DESCRIPTION	REF. NO.	PART NO.	DESCRIPTION
4	494238	Sump-Engine	25	499284	Piston Assembly (Standard)	29	692419	Rod-Connecting (Standard)
12	★271916	Gasket-Crankcase (.015" Thick, Standard)			<b>Note</b>			<b>Note</b>
		<b>Note</b>		499288	Piston Assembly (.010" O.S.)		495490	Rod-Connecting (.020" Undersize)
		★271997 Gasket-Crankcase (.005" Thick)		499292	Piston Assembly (.020" O.S.)	32	690356	Screw (Connecting Rod) (1 7/8" Long)
		★271996 Gasket-Crankcase (.009" Thick)		499296	Piston Assembly (.030" O.S.)	32A	690348	Screw (Connecting Rod) (1 5/8" Long)
15	94239	Plug-Oil Drain	26	495854	Ring Set (Standard)	43	490815	Slinger-Governor/Oil
16	693944	Crankshaft			<b>Note</b>	46	692421	Camshaft
20	★291675	Seal-Oil (PTO Side)		495852	Ring Set (.010" O.S.)	146	94196	Key-Timing
22	692125	Screw (Crankcase Cover/Sump)		495851	Ring Set (.020" O.S.)	733	94673	Screw (Crankshaft Extension)
24	222698	Key-Flywheel		495855	Ring Set (.030" O.S.)	741	691284	Gear-Timing
			27	691299	Lock-Piston Pin	757	213998	Link-Counterweight
			28	498319	Pin-Piston (Standard)	758	692423	Counterweight
					<b>Note</b>	759	691239	Pin-Counterweight
				498320	Pin-Piston (.005" O.S.)	761	691096	Screw (Counterweight)
						810	231828	Extension-Crankshaft

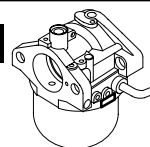
★ Included in Engine Gasket Set-Ref. No. 358.  
 Δ Included in Valve Gasket Set-Ref. No. 1095.

◆ Included in Carburetor Gasket Set-Ref. No. 977.  
 ● Included in Carburetor Overhaul Kit-Ref. No. 121.

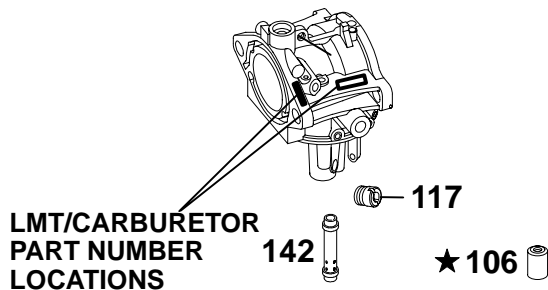
**WALBRO**



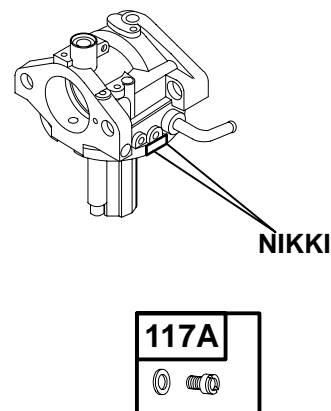
**NIKKI**



125



125A



★ **REQUIRES SPECIAL TOOLS TO INSTALL. SEE REPAIR INSTRUCTION MANUAL.**

SEE NEXT PAGE FOR COMPONENT SERVICE

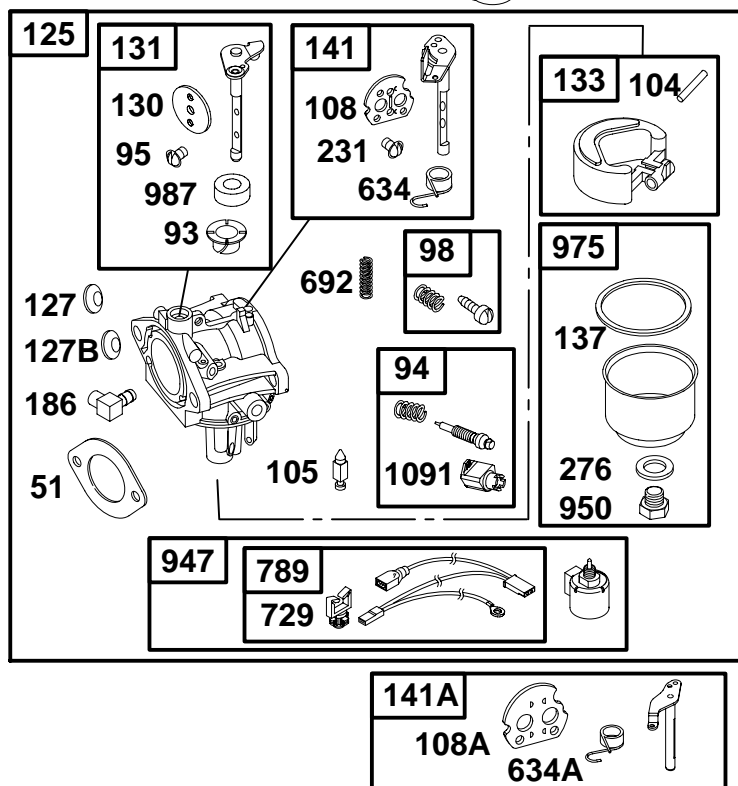
REF. NO.	PART NO.	DESCRIPTION	REF. NO.	PART NO.	DESCRIPTION	REF. NO.	PART NO.	DESCRIPTION
106	●231854	Seat-Inlet	117A	●695415	Jet-Main	125A		Carburetor (Nikki)
117	●692408	Jet-Main (Standard)			<b>Note</b>			(Service with Walbro Carburetor)
		<b>Note</b>			●695416 Jet-Main (High Altitude)	142	●692412	Nozzle-Carburetor
		692411 Jet-Main (High Altitude)	125	499153	Carburetor (LMT 155)			

★ Included in Engine Gasket Set-Ref. No. 358.  
 Δ Included in Valve Gasket Set-Ref. No. 1095.

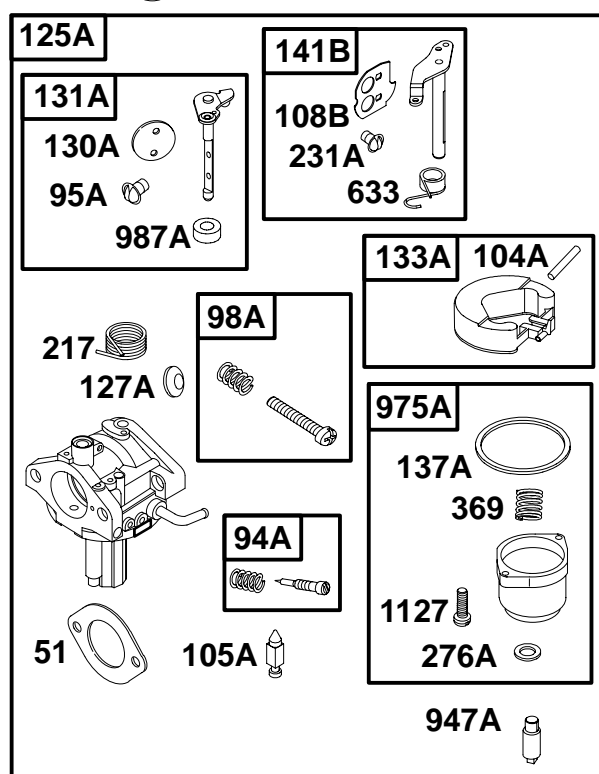
◆ Included in Carburetor Gasket Set-Ref. No. 977.  
 ● Included in Carburetor Overhaul Kit-Ref. No. 121.

# 28U700 to 28U799

## WALBRO



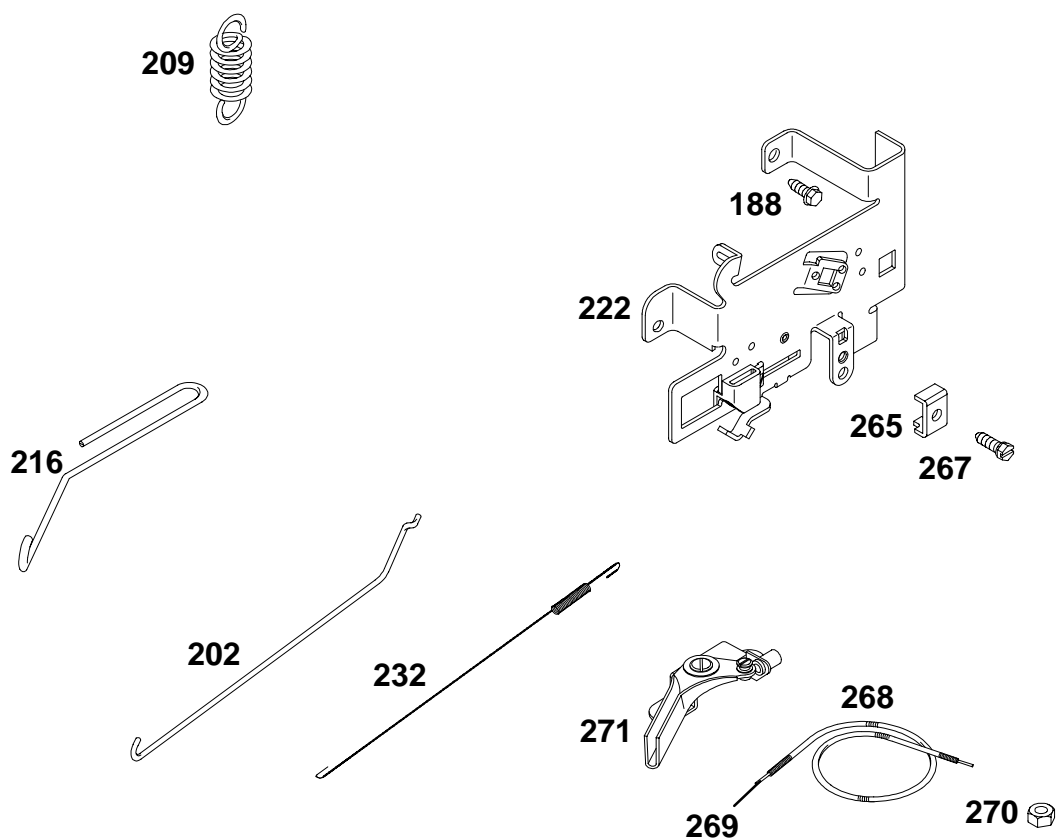
## NIKKI



REF. NO.	PART NO.	DESCRIPTION	REF. NO.	PART NO.	DESCRIPTION	REF. NO.	PART NO.	DESCRIPTION
51	●♦273650	Gasket-Intake	127	●694530	Plug-Welch	276A	●♦695410	Washer-Sealing
93	●690602	Bushing-Throttle Shaft	127A	●690727	Plug-Welch	369	695422	Spring-Float Bowl
94	498030	Kit-Idle Mixture	127B	●695005	Plug-Welch	633	695414	Seal-Choke/Throttle-Shaft
94A	695425	Kit-Idle Mixture	130	224539	Valve-Throttle	634	●690801	Spring/Seal Assembly (LMT 155, Manual Choke)
95	●94098	Screw (Throttle Valve)	130A	695418	Valve-Throttle	634A	●690802	Spring/Seal Assembly (LMT 154, Choke A Matic)
95A	●690718	Screw (Throttle Valve)	131	494379	Kit-Throttle Shaft	692	690572	Spring-Detent
98	495800	Kit-Idle Speed	131A	695421	Kit-Throttle Shaft	729	691335	Clip-Wire
98A	695408	Kit-Idle Speed	133	494381	Float-Carburetor	789	497708	Harness-Wiring
104	●690525	Pin-Float Hinge	133A	694914	Float-Carburetor	947	692734	Solenoid-Fuel
104A	●694918	Pin-Float Hinge	137	●♦281165	Gasket-Float Bowl	947A	695423	Solenoid-Fuel
105	●231855	Valve-Float Needle	137A	●♦695426	Gasket-Float Bowl	950	94098	Screw (Float Bowl)
105A	●694922	Valve-Float Needle	141	495097	Kit-Choke Shaft (LMT 155, Manual Choke)	975	495933	Bowl-Float
108	690464	Valve-Choke (LMT 155)	141A	495931	Kit-Choke Shaft (LMT 154, Choke A Matic)	975A	695417	Bowl-Float
108A	692344	Valve-Choke (LMT 154)	141B	695420	Kit-Choke Shaft	987	●691326	Seal-Throttle Shaft
108B	695419	Valve-Choke	186	493496	Connector-Hose	987A	●281765	Seal-Throttle Shaft
125		Carburetor (See Previous Page for Service)	217	695409	Spring-Choke Return	1091	691333	Cap-Limiter
125A		Carburetor (See Previous Page for Service)	231	●94098	Screw (Choke Valve)	1127	695407	Screw (Float Bowl)
			231A	●690718	Screw (Choke Valve)			
			276	●♦281164	Washer-Sealing			

★ Included in Engine Gasket Set-Ref. No. 358.  
 △ Included in Valve Gasket Set-Ref. No. 1095.

◆ Included in Carburetor Gasket Set-Ref. No. 977.  
 ● Included in Carburetor Overhaul Kit-Ref. No. 121.

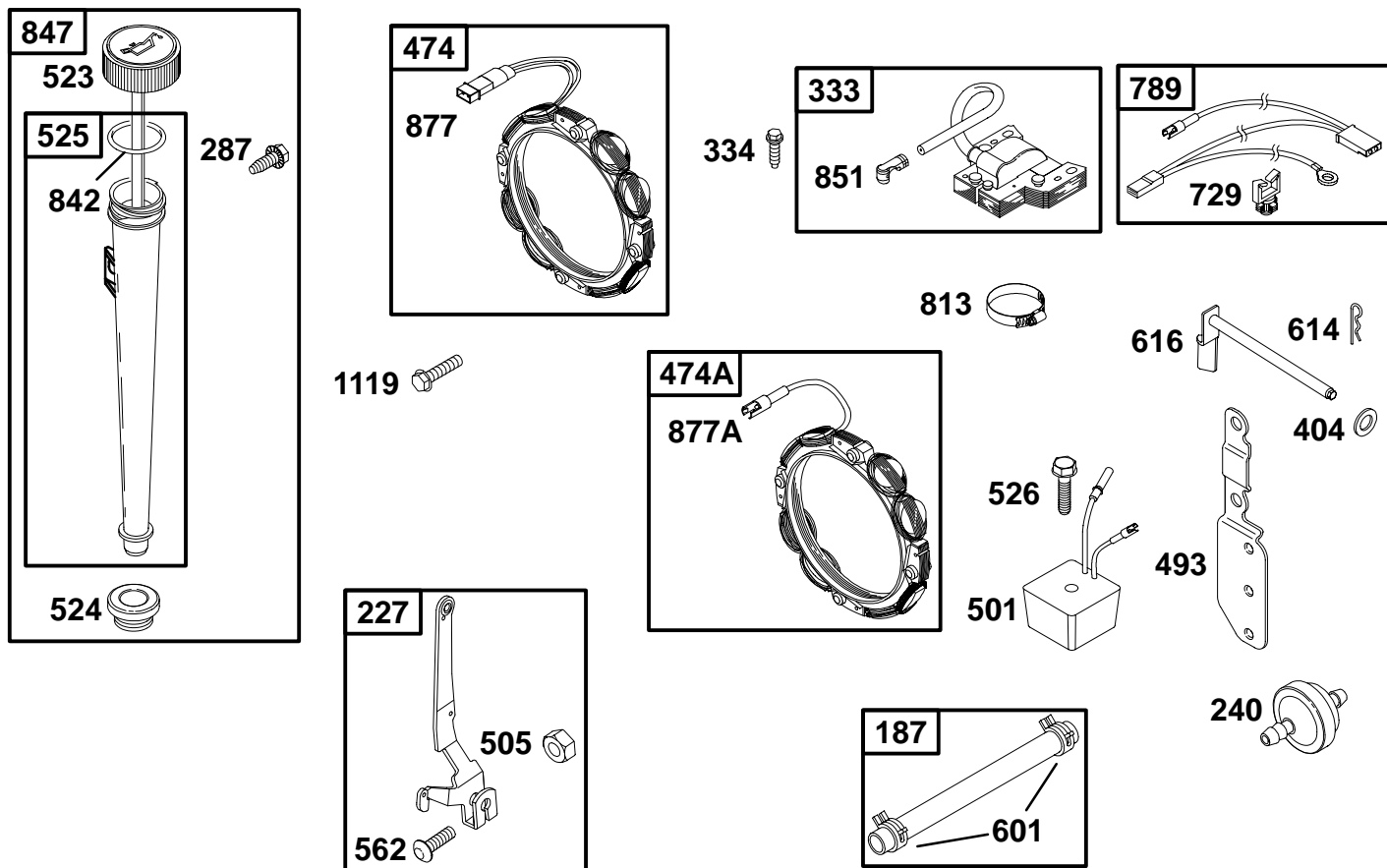


REF. NO.	PART NO.	DESCRIPTION	REF. NO.	PART NO.	DESCRIPTION	REF. NO.	PART NO.	DESCRIPTION
188	94929	Screw (Control Bracket)	222	694042	Bracket-Control (Used After Code Date 99010700).	267	94906	Screw (Casing Clamp)
202	262767	Link-Mechanical Governor			<b>Note</b>	268	65616	Casing-Control Wire (Cut To Required Length)
209	260695	Spring-Governor			495611	26633	Wire-Control (Cut To Required Length)	
216	262766	Link-Choke	232	262785	Spring-Governor Link	269	26633	Wire-Control (Cut To Required Length)
			265	221535	Clamp-Casing	270	63426	Nut (Control Wire Casing)
						271	290568	Lever-Control

★ Included in Engine Gasket Set-Ref. No. 358.  
 Δ Included in Valve Gasket Set-Ref. No. 1095.

◆ Included in Carburetor Gasket Set-Ref. No. 977.  
 ● Included in Carburetor Overhaul Kit-Ref. No. 121.

# 28U700 to 28U799

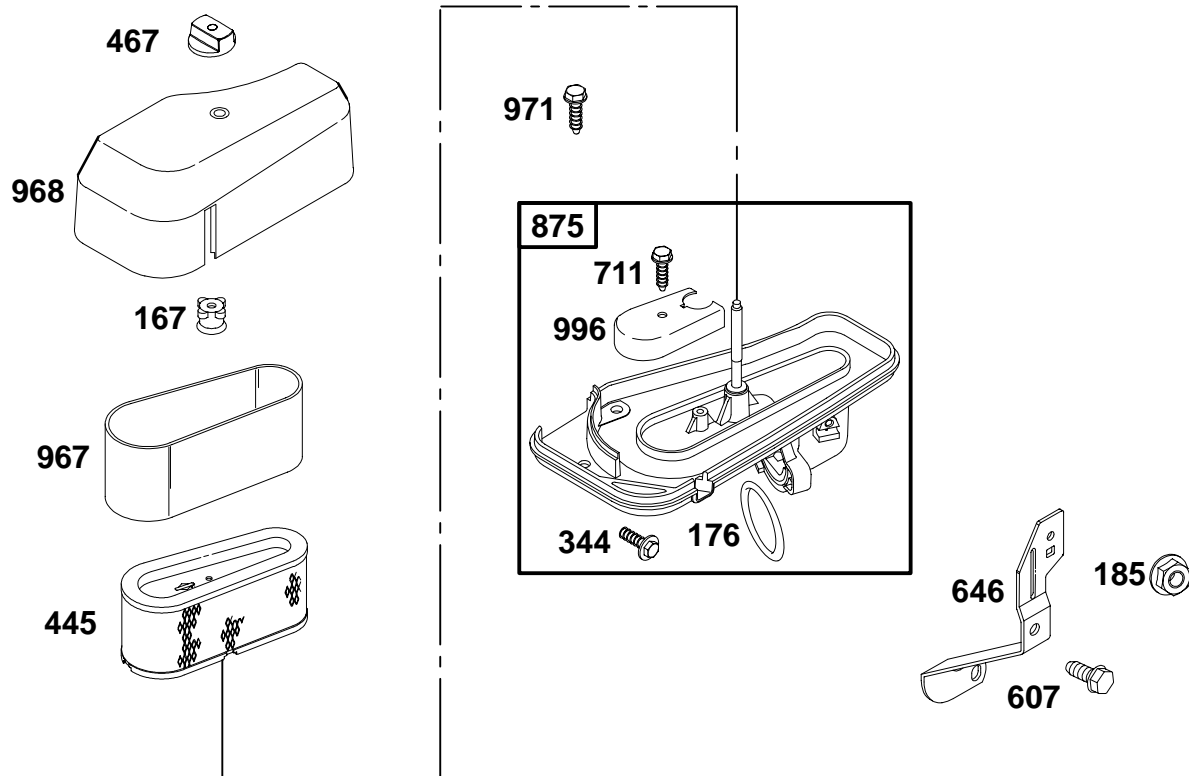


REF. NO.	PART NO.	DESCRIPTION	REF. NO.	PART NO.	DESCRIPTION	REF. NO.	PART NO.	DESCRIPTION	
187	298049	Line-Fuel (Cut To Required Length)	501	491546	Regulator	729	691335	Clip-Wire	
227	691374	Lever-Governor Control	505	691251	Nut (Governor Control Lever)	789	497708	Harness-Wiring	
240	394358	Filter-Fuel	523	495230	Dipstick	813	690635	Clamp (Used Before Code Date 99070600).	
287	94903	Screw (Dipstick Tube)	524	★281370	Seal-Dipstick Tube	842	★270920	Seal-O Ring	
333	495859	Armature-Magneto	525	691398	Tube-Dipstick	847	496415	Dipstick/Tube Assembly	
334	94731	Screw (Magneto Armature)	526	694476	Screw (Regulator)	851	692424	Terminal-Sparkplug	
404	94927	Washer (Governor Crank)			<b>Note</b>	877	393456	Wire/Connector-Alternator	
474	393474	Alternator			690326	Screw (Regulator)	877A	393537	Wire/Connector-Alternator
474A	392595	Alternator					1119	93621	Screw (Alternator)
493	694475	Bracket-Mounting (Used After Code Date 99070500).	562	691119	Bolt (Governor Control Lever)				
		<b>Note</b>	601	95162	Clamp-Hose				
		691177	Bracket-Mounting (Used Before Code Date 99070600).	614	93306	Pin-Cotter			
				616	495157	Crank-Governor			

★ Included in Engine Gasket Set-Ref. No. 358.  
 Δ Included in Valve Gasket Set-Ref. No. 1095.

◆ Included in Carburetor Gasket Set-Ref. No. 977.  
 ● Included in Carburetor Overhaul Kit-Ref. No. 121.



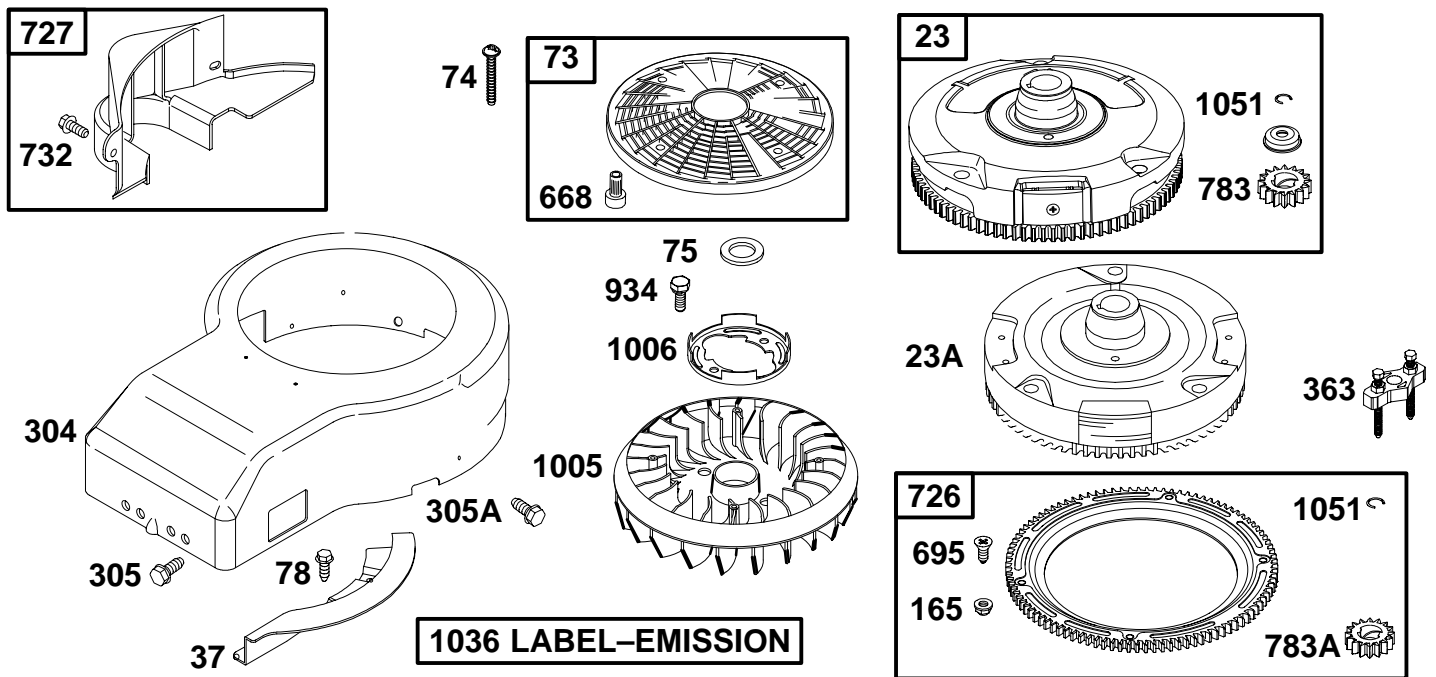


REF. NO.	PART NO.	DESCRIPTION	REF. NO.	PART NO.	DESCRIPTION	REF. NO.	PART NO.	DESCRIPTION
167	281051	Seal-Air Cleaner Nut	467	493903	Knob-Air Cleaner	968	691332	Cover-Air Cleaner
176	★281106	Seal-O Ring (Air Cleaner Base)	607	691693	Screw (Air Cleaner Brace)	971	692129	Screw (Air Cleaner Base)
185	94010	Nut (Air Cleaner Base)	646	690460	Brace-Air Cleaner	996	690678	Shield-Carburetor
344	693675	Screw (Cable Clamp)	711	690703	Screw (Carburetor Shield)			
445	496894	Filter-Air Cleaner Cartridge	875	693686	Base-Air Cleaner			
			967	272403	Filter-Pre Cleaner			

★ Included in Engine Gasket Set-Ref. No. 358.  
 Δ Included in Valve Gasket Set-Ref. No. 1095.

◆ Included in Carburetor Gasket Set-Ref. No. 977.  
 ● Included in Carburetor Overhaul Kit-Ref. No. 121.

# 28U700 to 28U799

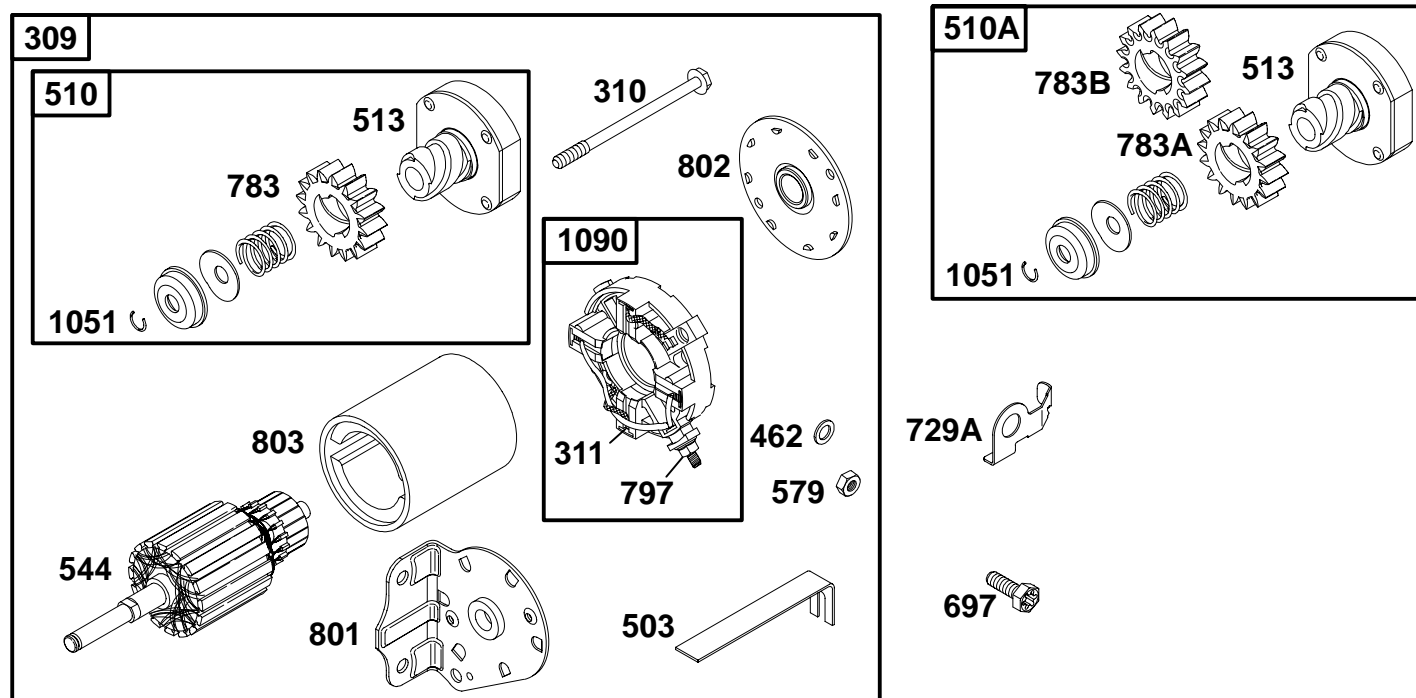


REF. NO.	PART NO.	DESCRIPTION	REF. NO.	PART NO.	DESCRIPTION	REF. NO.	PART NO.	DESCRIPTION
23	693557	Flywheel (Steel Ring Gear) (Includes Steel Pinion Gear.) (Used After Code Date 98091400). <b>Note</b> 693556 Flywheel (Steel Ring Gear) Used on Type No(s). 1175.	75	225136	Washer (Flywheel)	1005	695492	Fan-Flywheel (Used After Code Date 00040200). <b>Note</b> 281400 Fan-Flywheel (Used Before Code Date 00040300).
23A	690222	Flywheel (Used Before Code Date 98091500).	78	94896	Screw (Flywheel Guard)	1006	690452	Retainer-Fan
37	690456	Guard-Flywheel	165	693148	Nut (Ring Gear)	1036	695700	Label-Emission (Used After Code Date 00063000). <b>Note</b> 694997 Label-Emission (Used After Code Date 99093000 and Before Code Date 00070100). 694318 Label-Emission (Used Before Code Date 99100100 and After Code Date 98123100). 499364 Label-Emission (Used Before Code Date 99010100).
73	691055	Screen-Rotating (Used After Code Date 00040200). <b>Note</b> 494439 Screen-Rotating (Used Before Code Date 00040300).	304	691399	Housing-Blower	1051	263080	Ring-Retaining
74	691057	Screw (Rotating Screen) (Used After Code Date 00040200). <b>Note</b> 94821 Screw (Rotating Screen) (Used Before Code Date 00040300).	305	690960	Screw (Blower Housing)			
			305A	692127	Screw (Blower Housing)			
			363	19203	Flywheel Puller			
			668	691500	Spacer			
			695	693109	Screw (Ring Gear)			
			726	399676	Gear-Ring			
			727	490324	Cover-Starter Drive			
			732	94903	Screw (Starter Drive Cover)			
			783	693713	Gear-Pinion (For Steel Ring Gear Only)			
			783A	693059	Gear-Pinion (For Aluminum Ring Gear Only)			
			934	94627	Screw (Fan Retainer)			

★ Included in Engine Gasket Set-Ref. No. 358.  
 △ Included in Valve Gasket Set-Ref. No. 1095.

◆ Included in Carburetor Gasket Set-Ref. No. 977.  
 ● Included in Carburetor Overhaul Kit-Ref. No. 121.

## 28U700 to 28U799

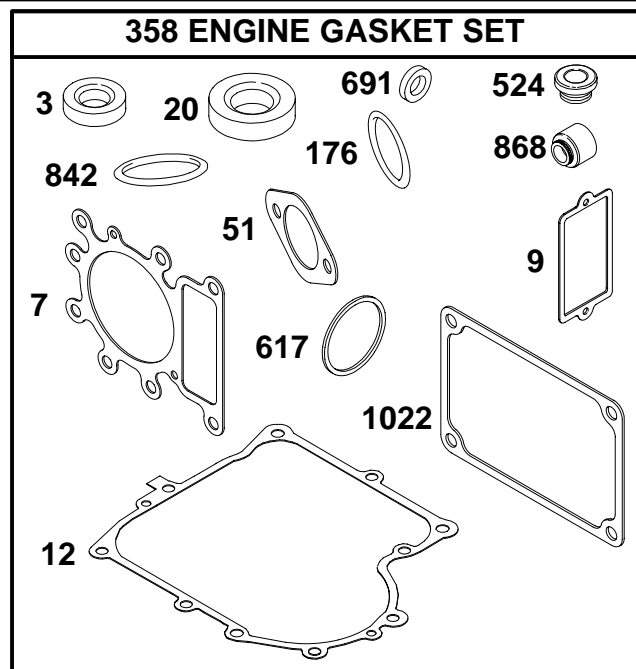
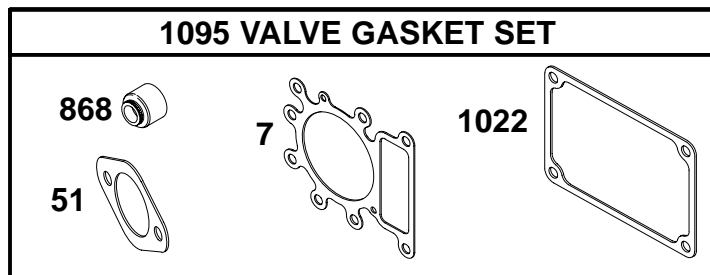


REF. NO.	PART NO.	DESCRIPTION	REF. NO.	PART NO.	DESCRIPTION	REF. NO.	PART NO.	DESCRIPTION
309	693551	Motor-Starter (3 5/8" Housing Length For Steel Ring Gear Only)	503	691532	Strap-Starter (Used Before Code Date 99070600).	783	693713	Gear-Pinion (For Steel Ring Gear Only)
		<b>Note</b>	510	693699	Drive-Starter (Used With Steel Ring Gear)	783A	693059	Gear-Pinion (For Aluminum Ring Gear Only)
		497595 Motor-Starter (3 5/8" Housing Length For Plastic Ring Gear Only)	510A	497606	Drive-Starter (Used With Aluminum & Plastic Ring Gears)	783B	693058	Gear-Pinion (For Plastic Ring Gear Only)
		693054 Motor-Starter (3 5/8" Housing Length For Aluminum Ring Gear Only)	513	398003	Clutch-Drive	797	693167	Nut (Brush Retainer)
310	690323	Bolt (Starter Motor)	544	497603	Armature-Starter	801	691429	Cap-Drive
311	497608	Brush Set	579	92278	Nut (Starter Cable)	802	497607	Cap-End
462	225137	Washer (Starter Cable)	697	690372	Screw (Drive Cap)	803	691427	Housing-Starter
			729A	691224	Clip-Wire (Used Before Code Date 99070600).	1051	263080	Ring-Retaining
						1090	497605	Retainer-Brush

★ Included in Engine Gasket Set-Ref. No. 358.  
 △ Included in Valve Gasket Set-Ref. No. 1095.

◆ Included in Carburetor Gasket Set-Ref. No. 977.  
 ● Included in Carburetor Overhaul Kit-Ref. No. 121.

# 28U700 to 28U799

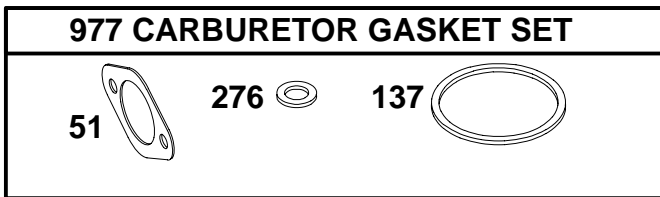
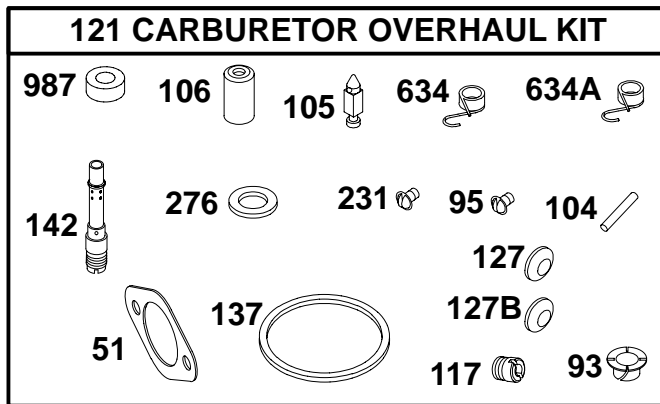


REF. NO.	PART NO.	DESCRIPTION	REF. NO.	PART NO.	DESCRIPTION	REF. NO.	PART NO.	DESCRIPTION
3	★391086	Seal—Oil (Magneto Side)	20	★291675	Seal—Oil (PTO Side)	691	★491323	Seal—Governor Shaft
7	Δ★273280	Gasket—Cylinder Head	51	★◆273650	Gasket—Intake	842	★270920	Seal—O Ring
9	★27803	Gasket—Breather	176	★281106	O—Ring Seal (Air Cleaner Base)	868	Δ★690968	Seal—Valve
12	★271916	Gasket—Crankcase (.015" Thick, Standard)	358	691580	Gasket Set—Engine	1022	Δ★272475	Gasket—Rocker Cover
		<b>Note</b>	524	★281370	Seal—Dipstick Tube	1095	691581	Gasket Set—Valve
		★271997 Gasket—Crankcase (.005" Thick)	617	Δ★692138	Seal—O Ring (Intake Manifold)			
		★271996 Gasket—Crankcase (.009" Thick)						

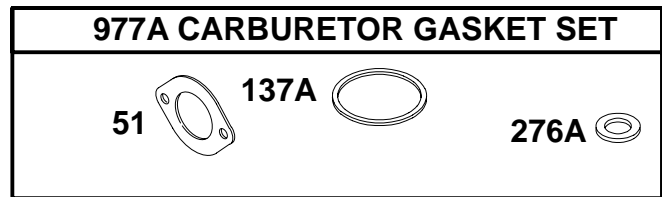
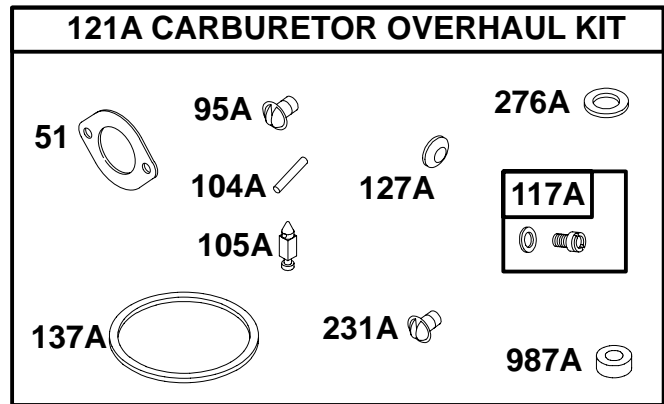
★ Included in Engine Gasket Set—Ref. No. 358.  
 Δ Included in Valve Gasket Set—Ref. No. 1095.

◆ Included in Carburetor Gasket Set—Ref. No. 977.  
 ● Included in Carburetor Overhaul Kit—Ref. No. 121.

## WALBRO



## NIKKI



REF. NO.	PART NO.	DESCRIPTION	REF. NO.	PART NO.	DESCRIPTION	REF. NO.	PART NO.	DESCRIPTION	
51	★◆273650	Gasket-Intake	117A	◆695415	Jet-Main	276	◆281164	Washer-Sealing	
93	◆690602	Bushing-Throttle Shaft			<b>Note</b>	276A	◆695410	Washer-Sealing	
95	◆94098	Screw (Throttle Valve)			◆695416	Jet-Main (High Altitude)	634	◆690801	Spring/Seal Assembly (LMT 155, Manual Choke)
95A	◆690718	Screw (Throttle Valve)	121	690191	Kit-Carburetor Overhaul	634A	◆690802	Spring/Seal Assembly (LMT 154, Choke A Matic)	
104	◆690525	Pin-Float Hinge	121A	695427	Kit-Carburetor Overhaul	977	690192	Gasket Set-Carburetor	
104A	◆694918	Pin-Float Hinge	127	◆694530	Plug-Welch	977A	695428	Gasket Set-Carburetor	
105	◆231855	Valve-Float Needle	127A	◆690727	Plug-Welch	987	◆691326	Seal-Throttle Shaft	
105A	◆694922	Valve-Float Needle	127B	◆695005	Plug-Welch	987A	◆281765	Seal-Throttle Shaft	
106	◆231854	Seat-Inlet (Gravity Feed)	137	◆281165	Gasket-Float Bowl				
117	◆692408	Jet-Main (Standard)	137A	◆695426	Gasket-Float Bowl				
		<b>Note</b>	142	◆692412	Nozzle-Carburetor				
		692411	231	◆94098	Screw (Choke Valve)				
		(High Altitude)	231A	◆690718	Screw (Choke Valve)				

★ Included in Engine Gasket Set-Ref. No. 358.  
 △ Included in Valve Gasket Set-Ref. No. 1095.

◆ Included in Carburetor Gasket Set-Ref. No. 977.  
 ● Included in Carburetor Overhaul Kit-Ref. No. 121.