

28T700 to 28T799

Illustrated Parts List

Model Series

28T700 to 28T799

TYPE NUMBERS
1113, 1121, 1154.

TO FIND
THE CORRECT NUMBER OF THE PART YOU NEED:
FOLLOW THE INSTRUCTIONS BELOW

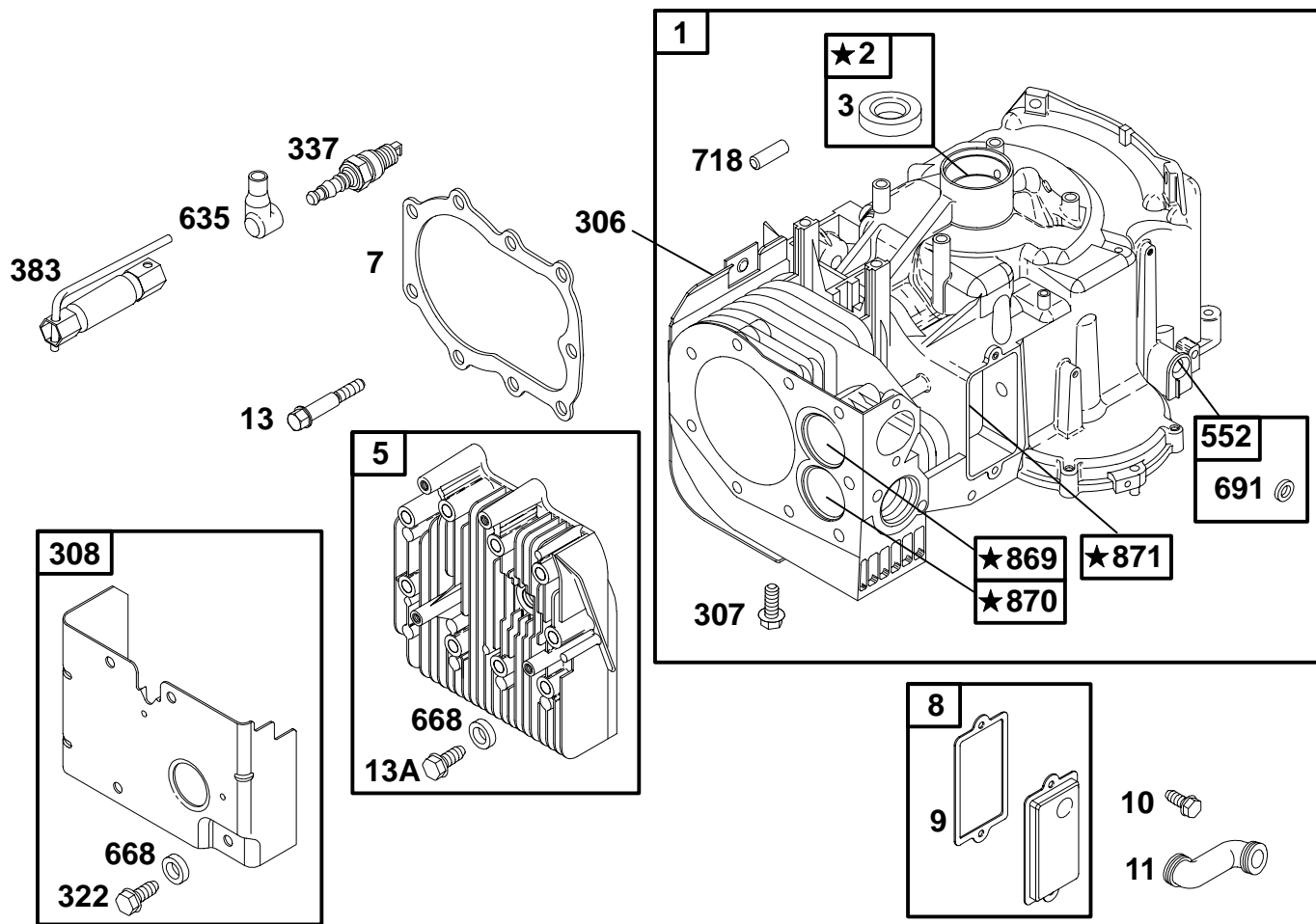
- A. Refer to Engine Model, Type and Code Number that is stamped on the blower housing of engine. Engine type numbers such as 0123 01 are listed only as 0123 in most instances. The two digits (01 or 02, etc.) to the right of the space may be required for more accurate parts identification in some instances. Select the Illustrated Parts List covering the correct Model Series and Type Number.
- B. Refer to the Illustrations and compare the original part with Illustration. The number next to the illustration is the Reference Number. Assemblies include all parts shown in frames. All parts shown in assembly frames having individual reference numbers can be purchased separately.
- C. After the Reference Number has been identified, refer to the Numerical text, where Reference and Primary Part Number are listed. **THE PRIMARY PART IS USED ON ALL TYPE NUMBERS EXCEPT THOSE TYPE NUMBERS UNDER "NOTE."**
- D. If a "Note" appears below the Primary Part Number, it means that this part differs from the Primary Part for certain types. If your Type number is listed under "Note," order the part referred to at the "Note."
- E. If your Engine Type Number does not appear after any part number listed under "Note," use the Primary Part Number.
- F. For Engine Type Numbers not covered by this book, check other Parts Lists having the same engine model or contact your source of supply.

PRINTED IN U.S.A.



COPYRIGHT by BRIGGS & STRATTON CORPORATION
All rights reserved. No part of this material may be reproduced or transmitted, in any form or by any means, electronic or mechanical, including photocopying, recording or by any information storage and retrieval system, without permission in writing from Briggs & Stratton Corporation.

28T700 to 28T799



★ **REQUIRES SPECIAL TOOLS TO INSTALL. SEE REPAIR INSTRUCTION MANUAL.**

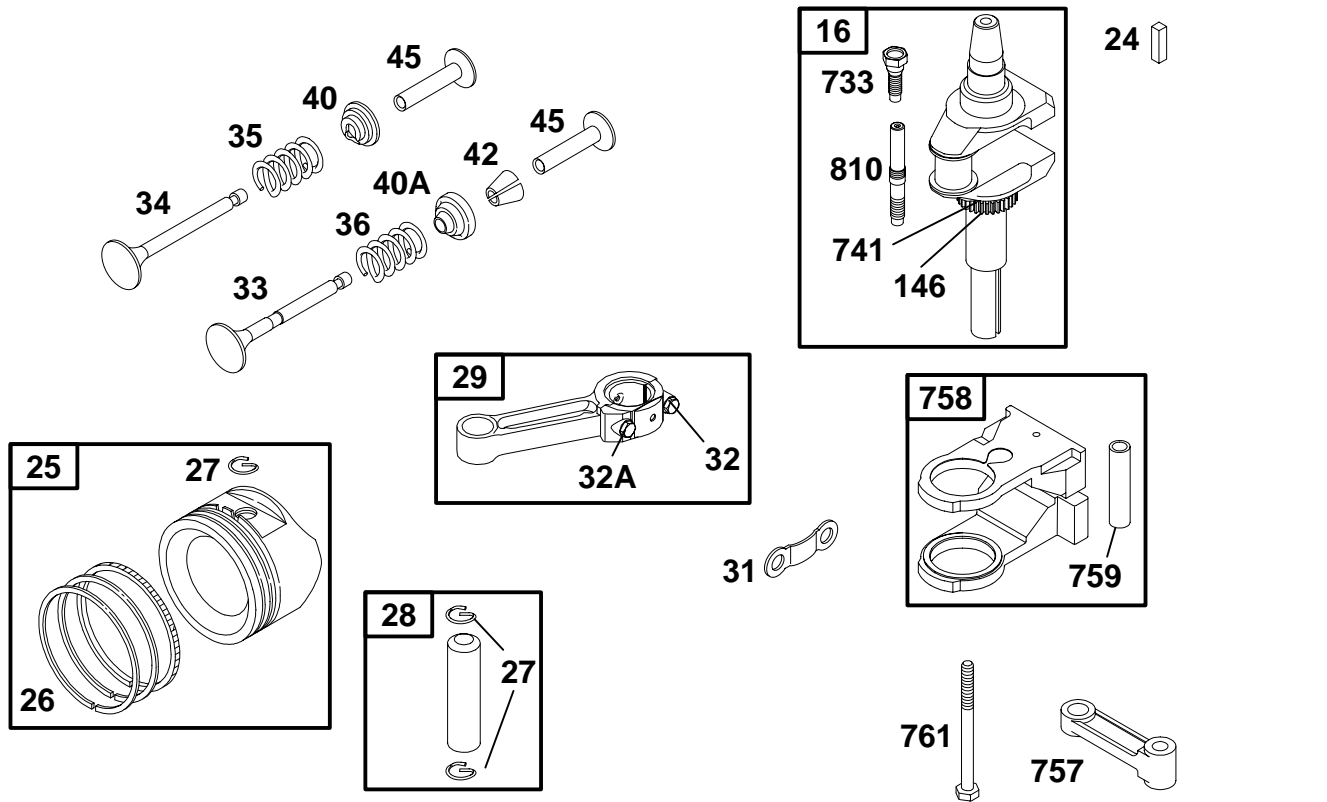
1058 OWNER'S MANUAL

REF. NO.	PART NO.	DESCRIPTION	REF. NO.	PART NO.	DESCRIPTION	REF. NO.	PART NO.	DESCRIPTION
1	496413	Cylinder Assembly	306	690459	Shield-Cylinder	718	230192	Pin-Locating
2	399265	Kit-Bushing/Seal (Magneto Side)	307	94930	Screw (Cylinder Shield)	869	261463	Seat-Valve (Intake)
3	★391086	Seal-Oil	308	491490	Cover-Cylinder Head	870	262924	Seat-Valve (Exhaust)
5	494240	Head-Cylinder	322	94881	Screw (Cylinder Head Cover)	871	261961	Bushing-Valve Guide (Exhaust)
7	★Ø271866	Gasket-Cylinder Head	322A	94786	Screw (Cylinder Head Cover)	————— Note —————		
8	495735	Breather Assembly	337	802592	Sparkplug	231218	274787	Bushing-Valve Guide (Intake)
9	★Ø27803	Gasket-Breather	383	89838	Wrench-Sparkplug	1058	274787	Owner's Manual (Emission)
10	691666	Screw (Breather Assembly)	552	491986	Bushing-Governor Crank			
11	280100	Tube-Breather	635	66538	Boot-Sparkplug			
13	94622	Screw (Cylinder Head)	668	690510	Spacer			
13A	94881	Screw (Cylinder Head)	691	★491323	Seal-Governor Shaft			

★ Included in Engine Gasket Set—See Ref. No. 358
 Ø Included in Valve Gasket Set—See Ref. No. 1095

● Included in Carburetor Overhaul Kit—See Ref. No. 121
 ◆ Included in Carburetor Gasket Set—See Ref. No. 977

28T700 to 28T799

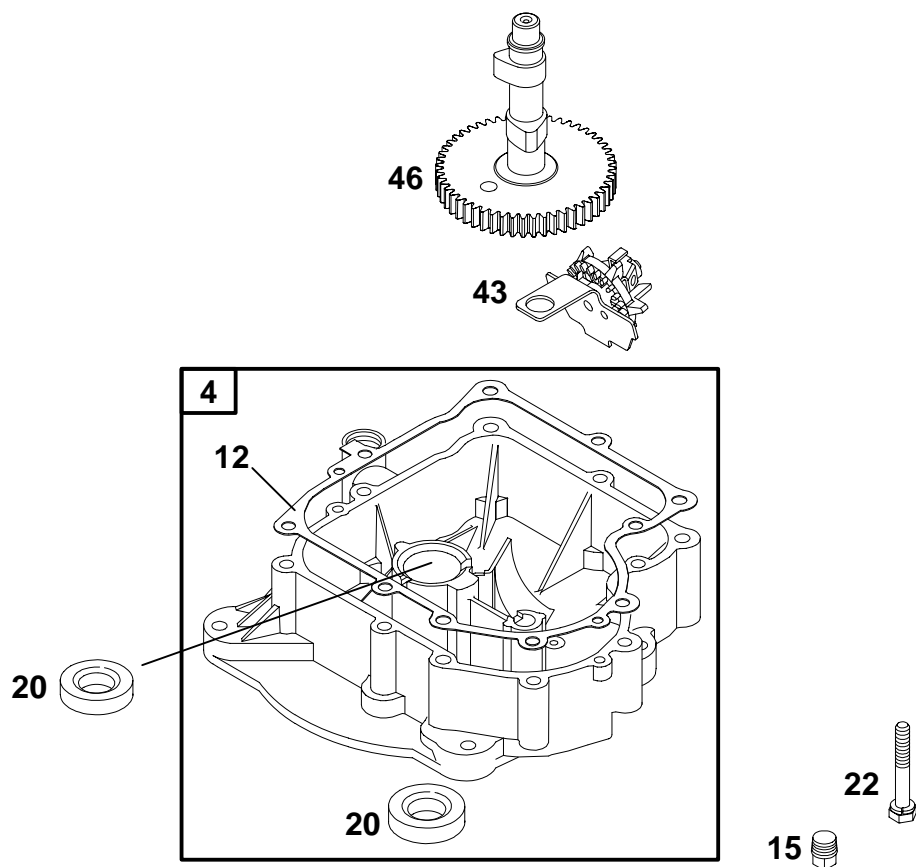


REF. NO.	PART NO.	DESCRIPTION	REF. NO.	PART NO.	DESCRIPTION	REF. NO.	PART NO.	DESCRIPTION
16	693944	Crankshaft (Used After Code Date 95073100). —— Note —— 498971 Crankshaft (Used Before Code Date 95080100).	26	391780	Ring Set (Standard) —— Note —— 392331 Ring Set (Chrome Standard) 499997 Ring Set (.010" O.S.) 499998 Ring Set (.020" O.S.) 499999 Ring Set (.030" O.S.)	32A	690348	Screw (1 5/8" Long) (Connecting Rod)
24	222698	Key-Flywheel	27	691299	Lock-Piston Pin	33	262246	Valve-Exhaust
25	499282	Piston Assembly (Standard) —— Note —— 499288 Piston Assembly (.010" O.S.) 499292 Piston Assembly (.020" O.S.) 499296 Piston Assembly (.030" O.S.)	28	498319	Pin-Piston (Standard) —— Note —— 498320 Pin-Piston (.005" O.S.)	34	262247	Valve-Intake
			29	494504	Rod-Connecting (Standard) —— Note —— 495490 Rod- Connecting (.020" Undersize)	35	65906	Spring-Valve (Intake)
			31	222299	Lock-Rod Screw	36	26828	Spring-Valve (Exhaust)
			32	690356	Screw (1 7/8" Long) (Connecting Rod)	40	221596	Retainer-Valve (Intake)
						40A	292260	Retainer-Valve (Exhaust)
						42	494553	Keeper-Valve
						45	262248	Tappet-Valve
						146	94196	Key-Timing
						733	94673	Screw (Crankshaft Extension)
						741	691284	Gear-Timing
						757	213998	Link-Counterweight
						758	692423	Counterweight
						759	691239	Pin-Counterweight
						761	691096	Screw (Counterweight)
						810	231828	Extension-Crankshaft

★ Included in Engine Gasket Set—See Ref. No. 358
 ☉ Included in Valve Gasket Set—See Ref. No. 1095

● Included in Carburetor Overhaul Kit—See Ref. No. 121
 ◆ Included in Carburetor Gasket Set—See Ref. No. 977

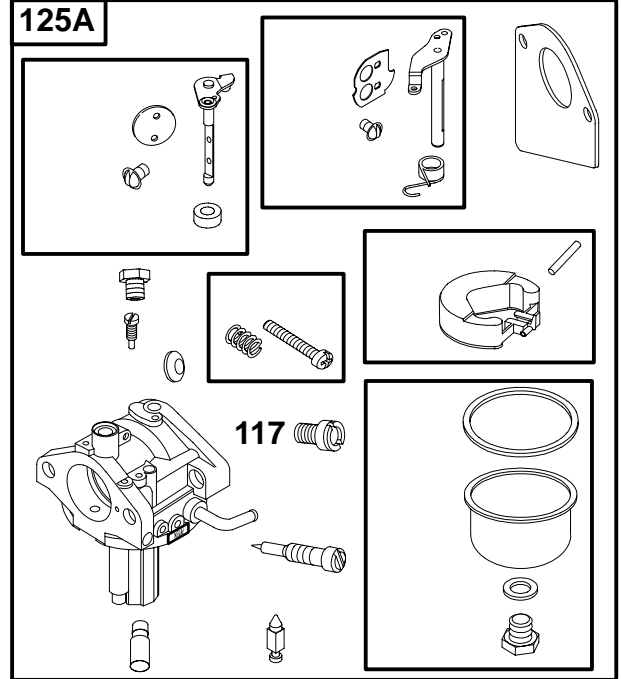
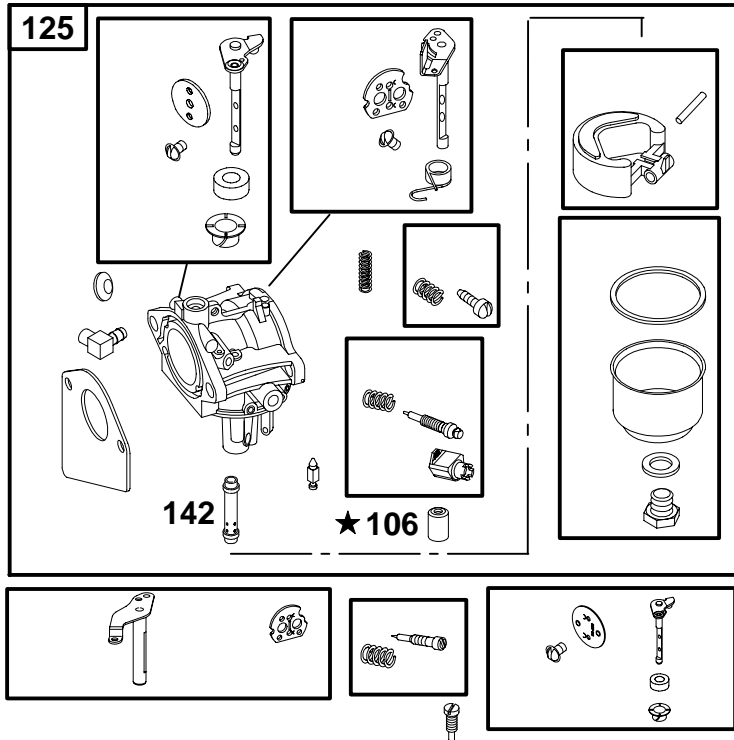
28T700 to 28T799



REF. NO.	PART NO.	DESCRIPTION	REF. NO.	PART NO.	DESCRIPTION	REF. NO.	PART NO.	DESCRIPTION
4	494238	Sump-Engine	15	94239	Plug-Oil Drain	20	★291675	Seal-Oil
12	★271916	Gasket-Crankcase (.015" Thick, Standard)			Note	22	692125	Screw (Engine Sump)
		Note		94880	Plug-Oil Drain	43	490815	Slinger-Governor/Oil
		★271997 Gasket-Crankcase (.005" Thick)			Used on Type No(s). 1154.	46	692123	Camshaft
		★271996 Gasket-Crankcase (.009" Thick)						

★ Included in Engine Gasket Set-See Ref. No. 358
 ∅ Included in Valve Gasket Set-See Ref. No. 1095

● Included in Carburetor Overhaul Kit-See Ref. No. 121
 ◆ Included in Carburetor Gasket Set-See Ref. No. 977



★ **REQUIRES SPECIAL TOOLS TO INSTALL. SEE REPAIR INSTRUCTION MANUAL.**

SEE NEXT PAGE FOR COMPONENT SERVICE

REF. NO.	PART NO.	DESCRIPTION	REF. NO.	PART NO.	DESCRIPTION	REF. NO.	PART NO.	DESCRIPTION
50	213819	Manifold-Intake	117	●690880	Jet-Main	125A	694941	Carburetor (Nikki)
51A	★∅272554	Gasket-Intake			Note	142	●691434	Nozzle-Carburetor (Standard)
53	691098	Stud (Carburetor)		●694925	Jet-Main (High Altitude)			
54	94913	Screw (Intake Manifold)	125	498027	Carburetor (Walbro)			
106	●231854	Seat-Inlet (Gravity Feed)			Note			
		Note		498231	Carburetor (LMT 108, 111)			
		●231856 Seat-Inlet (Pump Feed) (LMT 168, 169)		499163	Carburetor (LMT 168, 169)			

★ Included in Engine Gasket Set-See Ref. No. 358
 ∅ Included in Valve Gasket Set-See Ref. No. 1095

● Included in Carburetor Overhaul Kit-See Ref. No. 121
 ◆ Included in Carburetor Gasket Set-See Ref. No. 977

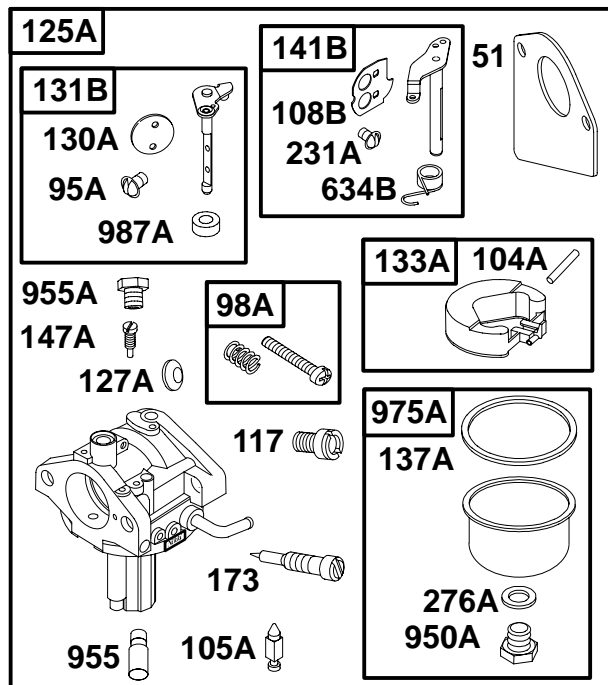
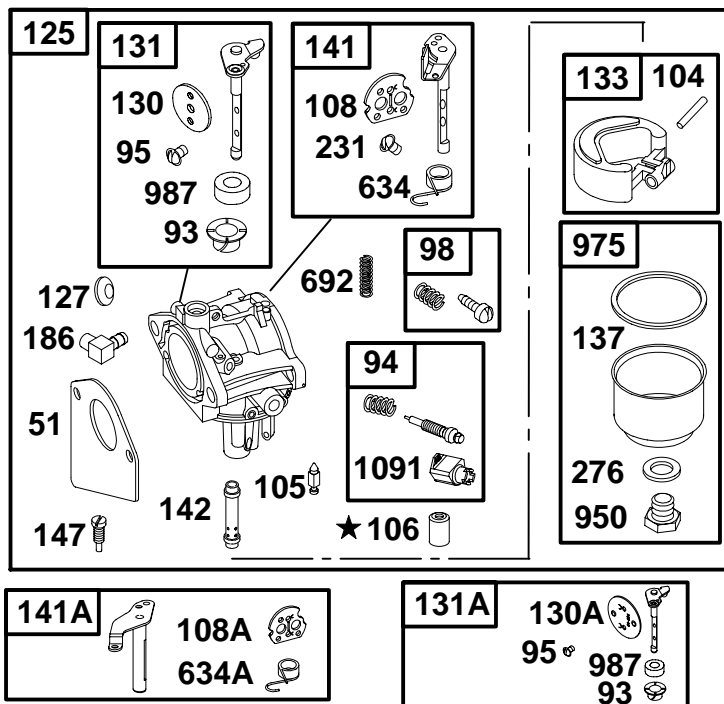
28T700 to 28T799

★ REQUIRES SPECIAL TOOLS TO INSTALL. SEE REPAIR INSTRUCTION MANUAL.

WALBRO



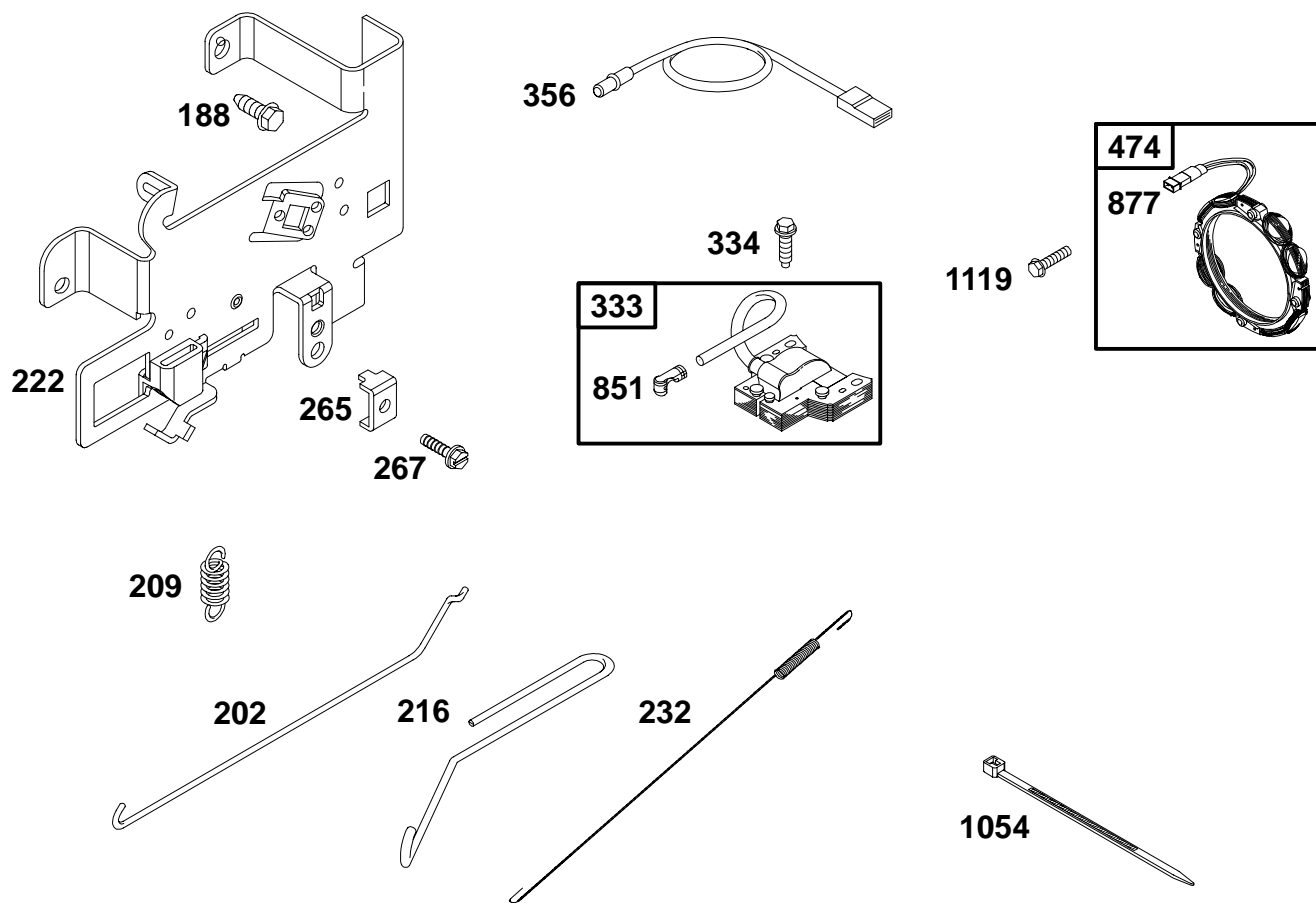
NIKKI



REF. NO.	PART NO.	DESCRIPTION	REF. NO.	PART NO.	DESCRIPTION	REF. NO.	PART NO.	DESCRIPTION
51	●♦272465	Gasket-Intake	125		Carburetor (Walbro) (See Previous Page)	147	●497472	Jet-Pilot (LMT 37, 41, 77, 81)
93	690602	Bushing-Throttle Shaft				147A	●694927	Jet-Pilot
94	498030	Kit-Idle Mixture	125A		Carburetor (Nikki) (See Previous Page)	173	694926	Valve-Idle Mixture
94A	494383	Kit-Idle Mixture				186	493496	Connector-Hose
95	●94098	Screw (Throttle Valve)				231	●94098	Screw (Choke Valve)
95A	●690718	Screw (Throttle Valve)	127	●695005	Plug-Welch	231A	●690718	Screw (Choke Valve)
98	495800	Kit-Idle Speed	127A	●694916	Plug-Welch			
98A	694907	Kit-Idle Speed	130	690468	Valve-Throttle	276	●♦281164	Washer-Sealing
104	●690525	Pin-Float Hinge	130A	224539	Valve-Throttle	276A	●♦690997	Washer-Sealing
104A	●694918	Pin-Float Hinge	130B	694917	Valve-Throttle	634	●690801	Spring/Seal Assembly (Manual Choke)
105	●231855	Valve-Float Needle	131	494885	Kit-Throttle Shaft	634A	●690802	Spring/Seal Assembly (Choke A Matic)
105A	●694922	Valve-Float Needle	131A	495931	Kit-Throttle Shaft (Choke A Matic)	634B	●694912	Spring/Seal Assembly
106		Seat-Inlet (See Previous Page)	131B	694909	Kit-Throttle Shaft	692	262820	Spring-Detent
108	690464	Valve-Choke (Manual Choke)	133	494381	Float-Carburetor	950	94642	Screw-Float Bowl
108A	692344	Valve-Choke (Choke A Matic)	133A	694914	Float-Carburetor	950A	694919	Screw-Float Bowl
108B	694923	Valve-Choke	137	●♦281165	Gasket-Float Bowl	955	●694924	Plug-Carburetor
117	●	Jet-Main (See Previous Page)	137A	●♦694920	Gasket-Float Bowl	955A	694921	Plug-Carburetor
			141	495097	Kit-Choke Shaft (Manual Choke)	975	495933	Bowl-Float
			141A	495931	Kit-Choke Shaft (Choke A Matic)	975A	694908	Bowl-Float
			141B	694913	Kit-Choke Shaft	987	●691326	Seal-Throttle Shaft
			142		Nozzle-Carburetor (See Previous Page)	987A	●690998	Seal-Throttle Shaft
						1091	691333	Cap-Limiter

★ Included in Engine Gasket Set-See Ref. No. 358
 ∅ Included in Valve Gasket Set-See Ref. No. 1095

● Included in Carburetor Overhaul Kit-See Ref. No. 121
 ♦ Included in Carburetor Gasket Set-See Ref. No. 977

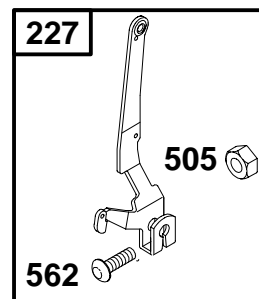
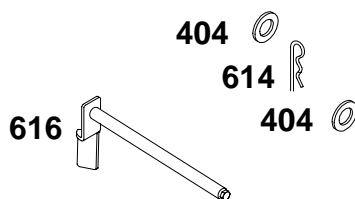
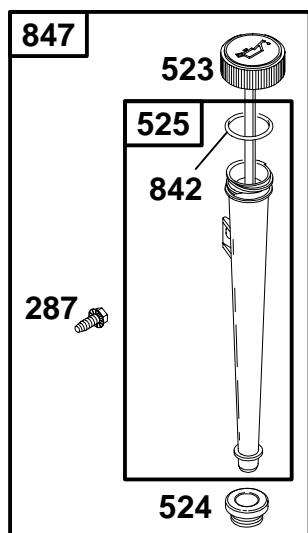


REF. NO.	PART NO.	DESCRIPTION	REF. NO.	PART NO.	DESCRIPTION	REF. NO.	PART NO.	DESCRIPTION
188	94929	Screw (Control Bracket)	222	694042	Bracket—Control (Used After Code Date 99010700).	334	94731	Screw (Magneto Armature)
202	262767	Link—Mechanical Governor			Note	356	690799	Wire—Stop (1 Wire Insulated Flat Terminal, Contact Socket)
209	260871	Spring—Governor			495611 Bracket—Control (Used Before Code Date 99010800).	474	393474	Alternator (Dual Circuit)
		Note	232	262785	Spring—Governor Link	851	493880	Terminal—Sparkplug
		261306 Spring—Governor Used on Type No(s). 1113, 1121.	265	221535	Clamp—Casing	877	393456	Wire/Connector—Alternator (Dual Circuit)
216	262766	Link—Choke	267	94906	Screw (Casing Clamp)	1054	280275	Tie—Cable
			333	492341	Armature—Magneto	1119	93621	Screw (Alternator)

★ Included in Engine Gasket Set—See Ref. No. 358
 ∅ Included in Valve Gasket Set—See Ref. No. 1095

● Included in Carburetor Overhaul Kit—See Ref. No. 121
 ◆ Included in Carburetor Gasket Set—See Ref. No. 977

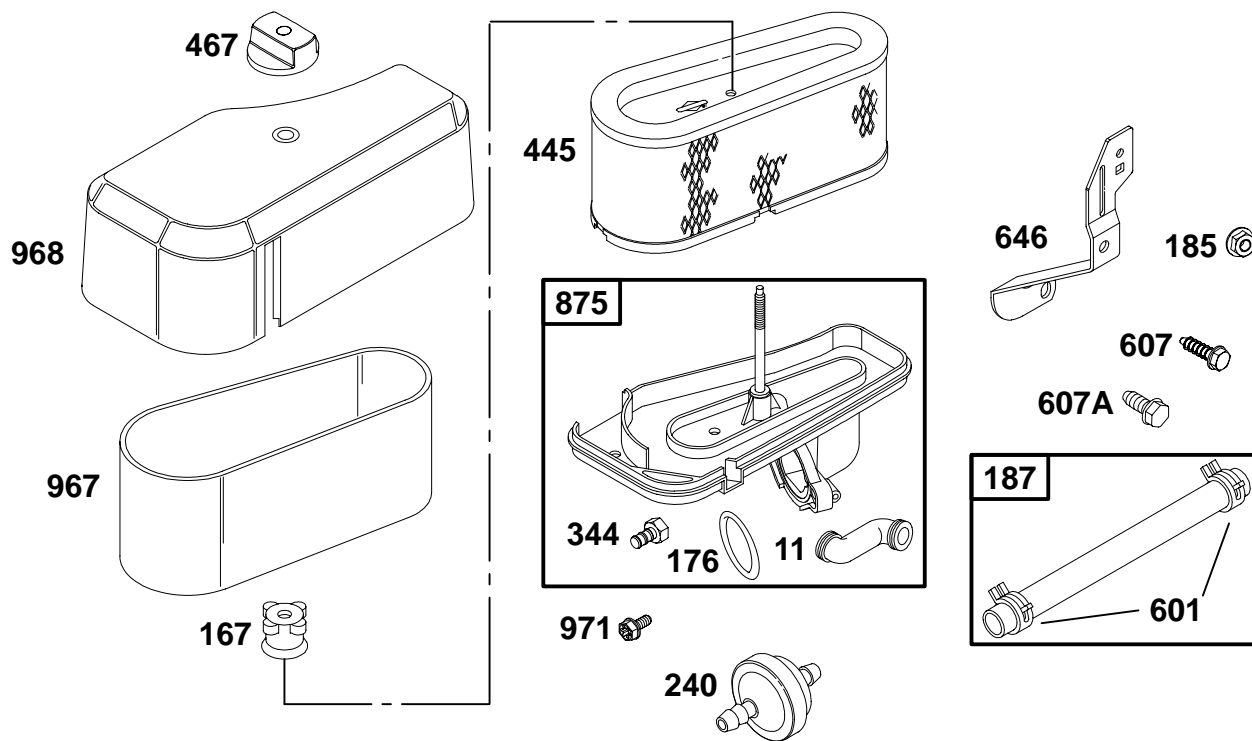
28T700 to 28T799



REF. NO.	PART NO.	DESCRIPTION	REF. NO.	PART NO.	DESCRIPTION	REF. NO.	PART NO.	DESCRIPTION
227	691374	Lever-Governor Control	505	691251	Nut (Governor Control Lever)	562	691119	Bolt (Governor Control Lever)
287	94903	Screw (Dipstick Tube)	523	495230	Dipstick	614	93306	Pin-Cotter
404	94927	Washer (Governor Crank)	524	★281370	Seal-Dipstick Tube	616	495157	Crank-Governor
			525	691398	Tube-Dipstick	842	★270920	Seal-O Ring
						847	496415	Dipstick/Tube Assembly

★ Included in Engine Gasket Set-See Ref. No. 358
 ∅ Included in Valve Gasket Set-See Ref. No. 1095

● Included in Carburetor Overhaul Kit-See Ref. No. 121
 ◆ Included in Carburetor Gasket Set-See Ref. No. 977

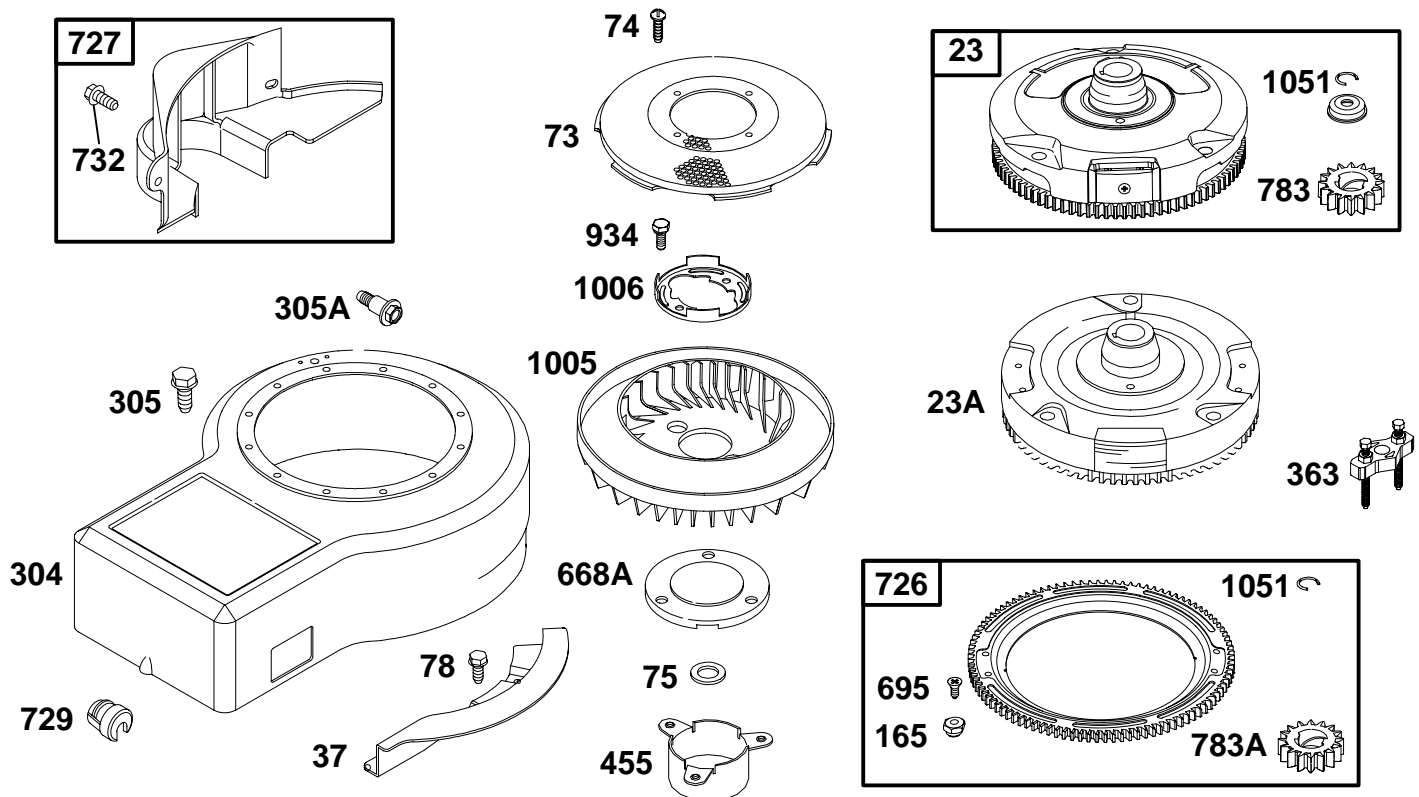


REF. NO.	PART NO.	DESCRIPTION	REF. NO.	PART NO.	DESCRIPTION	REF. NO.	PART NO.	DESCRIPTION
11	280100	Tube-Breather	344	693675	Screw (Cable Clamp)	875	694942	Base-Air Cleaner (Used With Nikki Carburetors)
50	213819	Manifold-Intake	445	496894	Filter-Air Cleaner Cartridge	Note		
51A	★Ø272554	Gasket-Intake	467	493903	Knob-Air Cleaner	693676	Base-Air Cleaner	
53	691098	Stud (Carburetor)	601	95162	Clamp-Hose	693676	Base-Air Cleaner	
54	94913	Screw (Intake Manifold)	607	690703	Screw (Air Cleaner Brace)	693676	Base-Air Cleaner	
167	281051	Seal-Air Cleaner Nut	607A	94929	Screw (Air Cleaner Brace)	693676	Base-Air Cleaner	
176	★Ø281106	O-Ring Seal (Air Cleaner Base)	646	690460	Brace-Air Cleaner	693676	Base-Air Cleaner	
185	94010	Nut (Air Cleaner Base)				693676	Base-Air Cleaner	
187	298049	Line-Fuel (Cut To Required Length)				693676	Base-Air Cleaner	
240	298090	Filter-Fuel				693676	Base-Air Cleaner	
						967	272403	Filter-Pre Cleaner
						968	281104	Cover-Air Cleaner
						971	692126	Screw (Air Cleaner Base)

★ Included in Engine Gasket Set-See Ref. No. 358
 Ø Included in Valve Gasket Set-See Ref. No. 1095

● Included in Carburetor Overhaul Kit-See Ref. No. 121
 ◆ Included in Carburetor Gasket Set-See Ref. No. 977

28T700 to 28T799



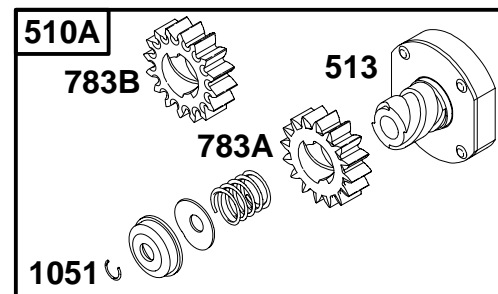
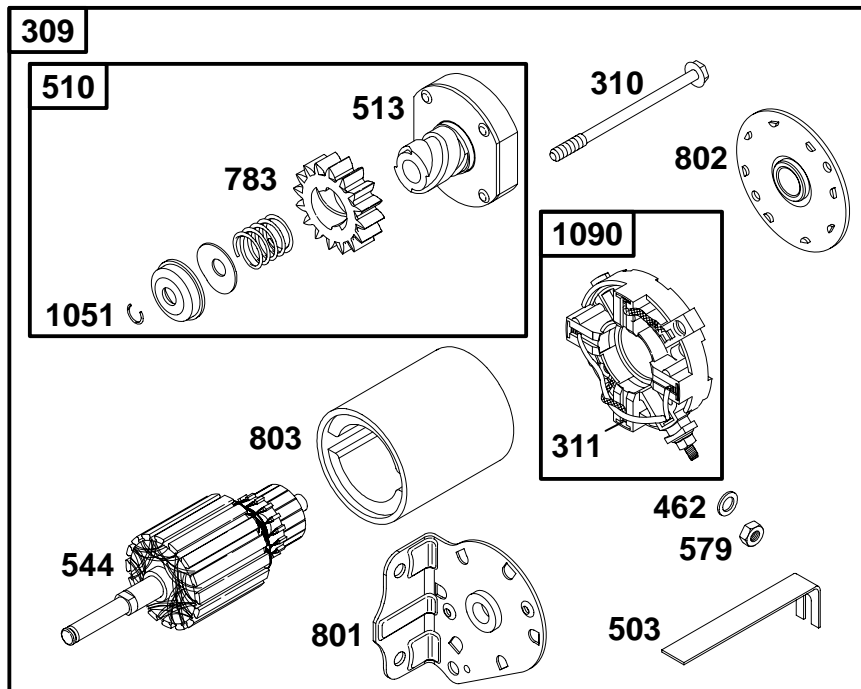
1036 LABEL-EMISSION

REF. NO.	PART NO.	DESCRIPTION	REF. NO.	PART NO.	DESCRIPTION	REF. NO.	PART NO.	DESCRIPTION
23	693557	Flywheel (Steel Ring Gear) (Includes Steel Pinion Gear.) (Used After Code Date 98091400).	305	94786	Screw (Blower Housing)	934	94627	Screw (Fan Retainer)
23A	492326	Flywheel (Plastic Ring Gear) (Used Before Code Date 98091500).	305A	692127	Screw (Blower Housing)	1005	280687	Fan-Flywheel
37	690456	Guard-Flywheel	363	19203	Flywheel Puller	1006	690452	Retainer-Fan
73	224517	Screen-Rotating	455	691173	Cup-Flywheel	1036	695699	Label-Emission (Used After Code Date 00093000).
74	94626	Screw (Rotating Screen)	668A	691323	Spacer		695036	Label-Emission (Used After Code Date 99093000 and Before Code Date 00070100).
75	225136	Washer (Flywheel)	695	693109	Screw (Ring Gear)		694325	Label-Emission (Used Before Code Date 99100100 and After Code Date 98123100).
78	94896	Screw (Flywheel Guard)	726	399676	Gear-Ring (Aluminum-Services Plastic Ring Gear Only)		693619	Label-Emission (Used Before Code Date 99010100).
165	693148	Nut (Ring Gear)	727	490324	Cover-Starter Drive	1051	263080	Ring-Retaining
304	691400	Housing-Blower (Red)	729	690596	Clip-Wire			
		Note 690846 Housing-Blower (Black)	732	94903	Screw (Starter Drive Cover)			
			783	693713	Gear-Pinion (For Steel Ring Gear Only)			
			783A	693059	Gear-Pinion (For Aluminum Ring Gear Only)			

★ Included in Engine Gasket Set-See Ref. No. 358
 ☉ Included in Valve Gasket Set-See Ref. No. 1095

● Included in Carburetor Overhaul Kit-See Ref. No. 121
 ◆ Included in Carburetor Gasket Set-See Ref. No. 977

28T700 to 28T799

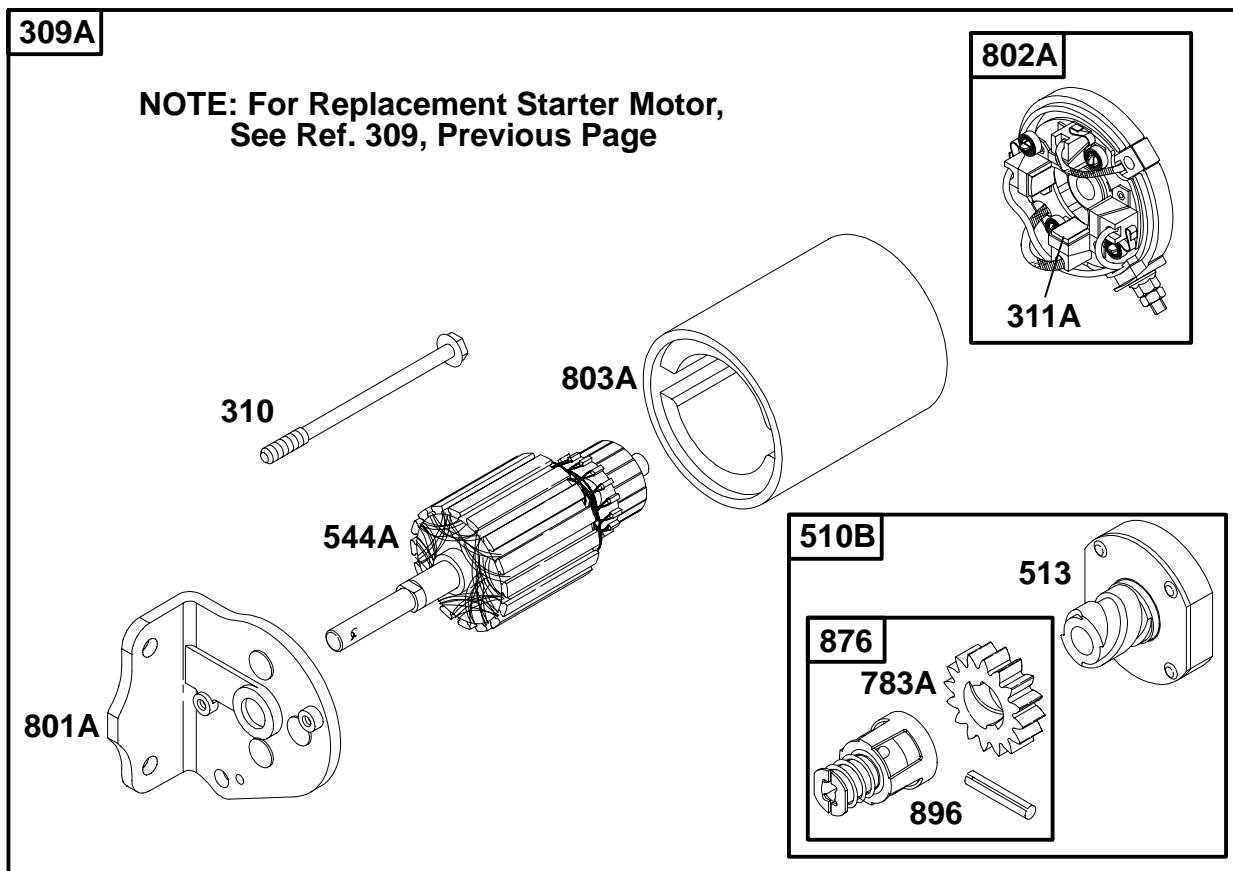


REF. NO.	PART NO.	DESCRIPTION	REF. NO.	PART NO.	DESCRIPTION	REF. NO.	PART NO.	DESCRIPTION
309	693551	Motor-Starter (3 5/8" Housing Length For Steel Ring Gear Only) —— Note —— 497595 Motor-Starter (3 5/8" Housing Length For Plastic Ring Gear Only) 693054 Motor-Starter (3 5/8" Housing Length For Aluminum Ring Gear Only) 497401 Motor-Starter (4 3/8" Housing Length For Plastic Ring Gear Only) 499521 Motor-Starter (4 3/8" Housing Length For Aluminum Ring Gear Only)	310	690323	Bolt (Starter Motor) (3 5/8" Housing Length) —— Note —— 691263 Bolt (Starter Motor) (4 3/8" Housing Length)	697	690372	Screw (Drive Cap)
			311	497608	Brush Set	729A	691224	Clip-Wire
			462	225137	Washer (Starter Cable)	783	693713	Gear-Pinion (For Steel Ring Gear Only)
			503	691532	Strap-Starter	783A	693059	Gear-Pinion (For Aluminum Ring Gear Only)
			510	693699	Drive-Starter (Used with Steel Ring Gear)	783B	693058	Gear-Pinion (For Plastic Ring Gear Only)
			510A	497606	Drive-Starter (Used with Aluminum & Plastic Ring Gears)	801	691429	Cap-Drive
			513	398003	Clutch-Drive	802	497607	Cap-End
			544	497603	Armature-Starter (3 5/8" Housing Length)	803	691427	Housing-Starter (3 5/8" Housing Length) (4 3/8" Housing Length Served by Ref. 309)
			579	92278	Nut (Starter Cable)	1051	263080	Ring-Retaining
						1090	497605	Retainer-Brush

★ Included in Engine Gasket Set—See Ref. No. 358
 ∅ Included in Valve Gasket Set—See Ref. No. 1095

● Included in Carburetor Overhaul Kit—See Ref. No. 121
 ◆ Included in Carburetor Gasket Set—See Ref. No. 977

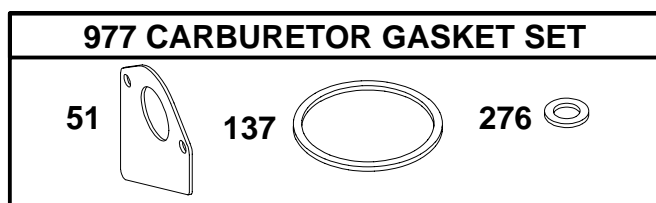
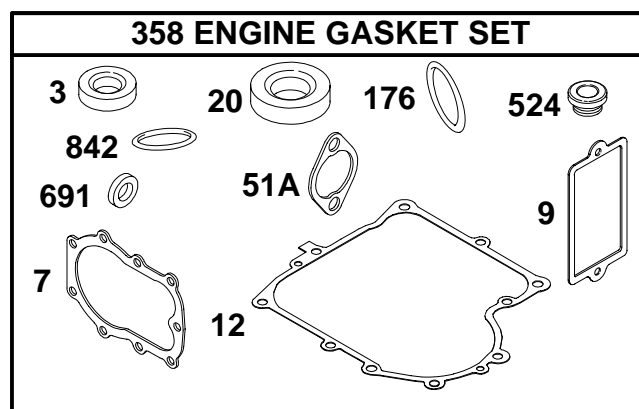
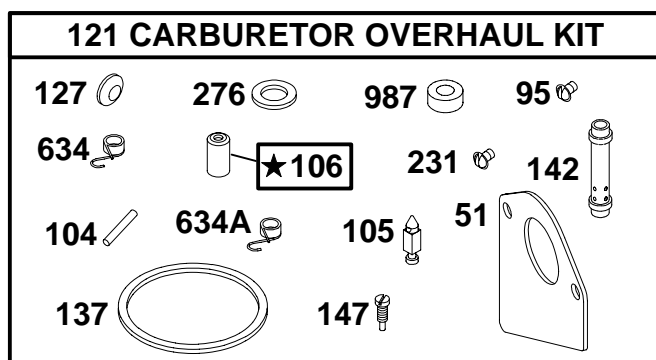
28T700 to 28T799



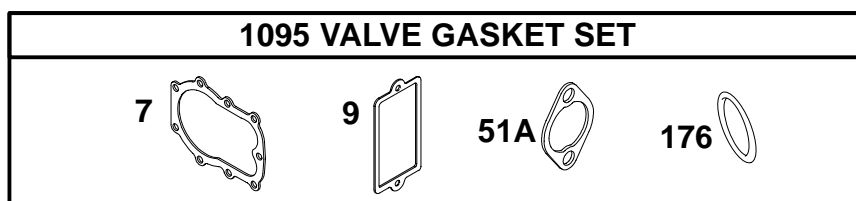
REF. NO.	PART NO.	DESCRIPTION	REF. NO.	PART NO.	DESCRIPTION	REF. NO.	PART NO.	DESCRIPTION
309A		Motor-Starter (For Replacement Starter Motor, See Ref 309, Previous Page)	510B	495878	Drive-Starter	802A	395537	Cap-End (3 5/8" Housing Length)
	310	690323 Bolt (Starter Motor) (3 5/8" Housing Length)		513	Clutch-Drive			Note ——— 494988 Cap-End (4 3/8" Housing Length)
		Note ——— 691263 Bolt (Starter Motor) (4 3/8" Housing Length)		544A	Armature-Starter (3 5/8" Housing Length)	803A	398159	Housing-Starter (3 5/8" Housing Length)
	311A	395538 Brush Set (3 5/8" Housing Length)			Note ——— 490309 Armature-Starter (4 3/8" Housing Length)			Note ——— 494205 Housing-Starter (4 3/8" Housing Length)
			697A	94627	Screw (Drive Cap)	876	495877	Kit-Pinion Spring
			783A	693059	Pinion-Starter (For Aluminum Ring Gear Only)	896	94288	Pin-Drive Retainer
			801A	394856	Cap-Drive			

★ Included in Engine Gasket Set—See Ref. No. 358
 ∅ Included in Valve Gasket Set—See Ref. No. 1095

● Included in Carburetor Overhaul Kit—See Ref. No. 121
 ◆ Included in Carburetor Gasket Set—See Ref. No. 977



★ **REQUIRES SPECIAL TOOLS TO INSTALL. SEE REPAIR INSTRUCTION MANUAL.**



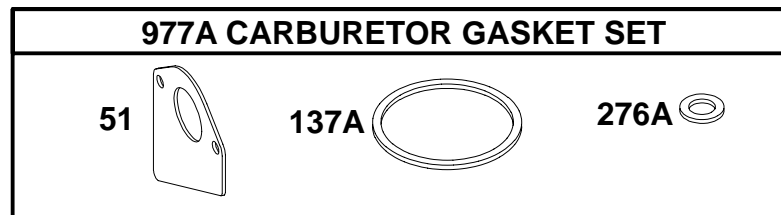
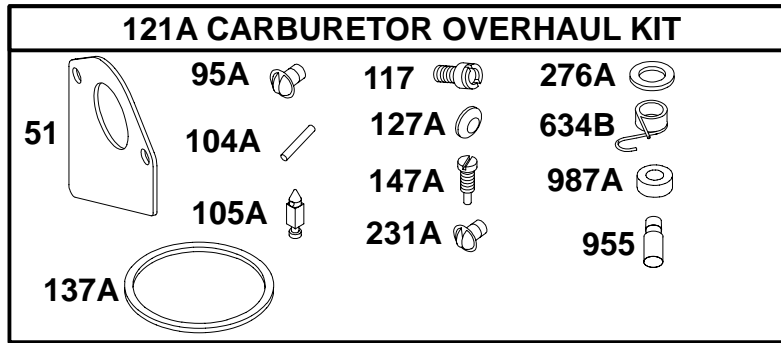
REF. NO.	PART NO.	DESCRIPTION	REF. NO.	PART NO.	DESCRIPTION	REF. NO.	PART NO.	DESCRIPTION
3	★391086	Seal-Oil (Magneto Side)	20	★291675	Seal-Oil (PTO Side)	176	★Ø281106	Seal-O Ring (Air Cleaner Base)
7	★Ø271866	Gasket-Cylinder Head	51	◆272465	Gasket-Intake	231	●94098	Screw (Choke Valve)
9	★Ø27803	Gasket-Breather	51A	★Ø272554	Gasket-Intake	276	◆281164	Washer-Sealing
12	★271916	Gasket-Crankcase (.015" Thick, Standard)	95	●94098	Screw (Throttle Valve)	358	494241	Gasket Set-Engine
		Note	104	●690525	Pin-Float Hinge	524	★281370	Seal-Dipstick Tube
		★271997 Gasket-Crankcase (.005" Thick)	105	●231855	Valve-Float Needle	634	●690801	Spring/Seal Assembly (Manual Choke)
		★271996 Gasket-Crankcase (.009" Thick)	106	●231854	Seat-Inlet	634A	●690802	Spring/Seal Assembly (Choke A Matic)
			121	499220	Kit-Carburetor Overhaul	691	★491323	Seal-Governor Shaft
			127	●695005	Plug-Welch	842	★270920	Seal-O Ring
			137	◆281165	Gasket-Float Bowl	977	494385	Gasket Set-Carburetor
			142	●691434	Nozzle-Carburetor	987	●691326	Seal-Throttle Shaft
			147	●497472	Jet-Pilot (LMT 37, 41, 77, 81)	1095	498539	Gasket Set-Valve

★ Included in Engine Gasket Set-See Ref. No. 358
 Ø Included in Valve Gasket Set-See Ref. No. 1095

● Included in Carburetor Overhaul Kit-See Ref. No. 121
 ◆ Included in Carburetor Gasket Set-See Ref. No. 977

28T700 to 28T799

NIKKI CARBURETOR GASKET KITS



REF. NO.	PART NO.	DESCRIPTION	REF. NO.	PART NO.	DESCRIPTION	REF. NO.	PART NO.	DESCRIPTION
51	●♦272465	Gasket-Intake	104A	●694918	Pin-Float Hinge	231A	●690718	Screw (Choke Valve)
117	●690880	Jet-Main	105A	●694922	Valve-Float Needle	276A	●690997	Washer-Sealing
		Note	121A	694930	Kit-Carburetor Overhaul	634B	●694912	Spring/Seal Assembly
		●694925 Jet-Main (High Altitude)	127A	●694916	Plug-Welch	955	●694924	Plug-Carburetor
95A	●690718	Screw (Throttle Valve)	137A	●♦694920	Gasket-Float Bowl	977A	694931	Gasket Set-Carburetor
			147A	●694927	Jet-Pilot	987A	●281765	Seal-Throttle Shaft

★ Included in Engine Gasket Set-See Ref. No. 358
 ∅ Included in Valve Gasket Set-See Ref. No. 1095

● Included in Carburetor Overhaul Kit-See Ref. No. 121
 ♦ Included in Carburetor Gasket Set-See Ref. No. 977