

Illustrated Parts List

Model Series

28R700 to 28R799

TYPE NUMBERS
0140, 0148, 0637,
0648, 1028, 1114,
1140, 1148, 1150.

TO FIND
THE CORRECT NUMBER OF THE PART YOU NEED:
FOLLOW THE INSTRUCTIONS BELOW

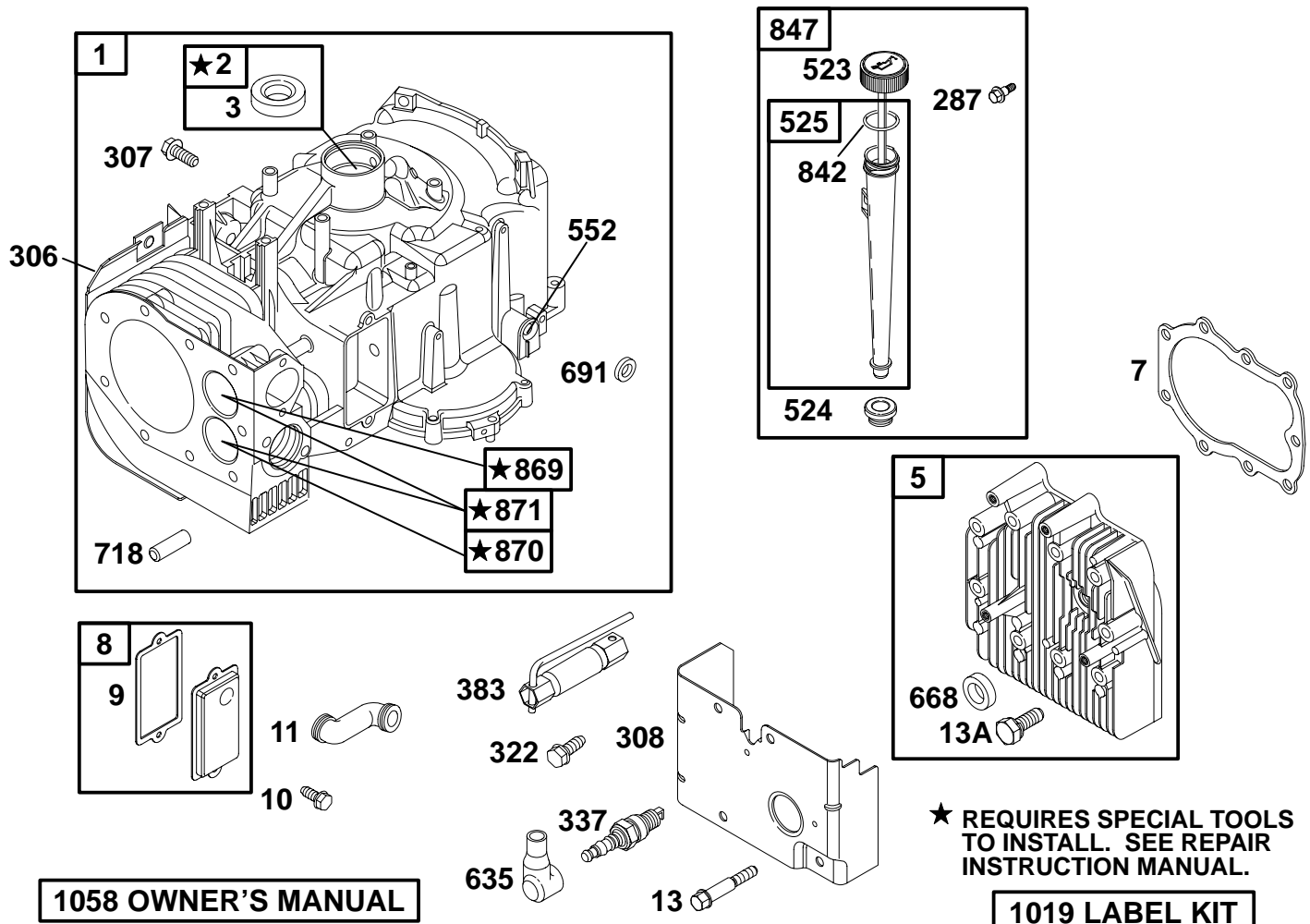
- A. Refer to Engine Model, Type and Code Number that is stamped on the blower housing of engine. Engine type numbers such as 0123 01 are listed only as 0123 in most instances. The two digits (01 or 02, etc.) to the right of the space may be required for more accurate parts identification in some instances. Select the Illustrated Parts List covering the correct Model Series and Type Number.
- B. Refer to the Illustrations and compare the original part with Illustration. The number next to the illustration is the Reference Number. Assemblies include all parts shown in frames. All parts shown in assembly frames having individual reference numbers can be purchased separately.
- C. After the Reference Number has been identified, refer to the Numerical text, where Reference and Primary Part Number are listed. **THE PRIMARY PART IS USED ON ALL TYPE NUMBERS EXCEPT THOSE TYPE NUMBERS UNDER "NOTE."**
- D. If a "Note" appears below the Primary Part Number, it means that this part differs from the Primary Part for certain types. If your Type number is listed under "Note," order the part referred to at the "Note."
- E. If your Engine Type Number does not appear after any part number listed under "Note," use the Primary Part Number.
- F. For Engine Type Numbers not covered by this book, check other Parts Lists having the same engine model or contact your source of supply.

PRINTED IN U.S.A.



COPYRIGHT by BRIGGS & STRATTON CORPORATION
All rights reserved. No part of this material may be reproduced or transmitted, in any form or by any means, electronic or mechanical, including photocopying, recording or by any information storage and retrieval system, without permission in writing from Briggs & Stratton Corporation.

28R700 to 28R799

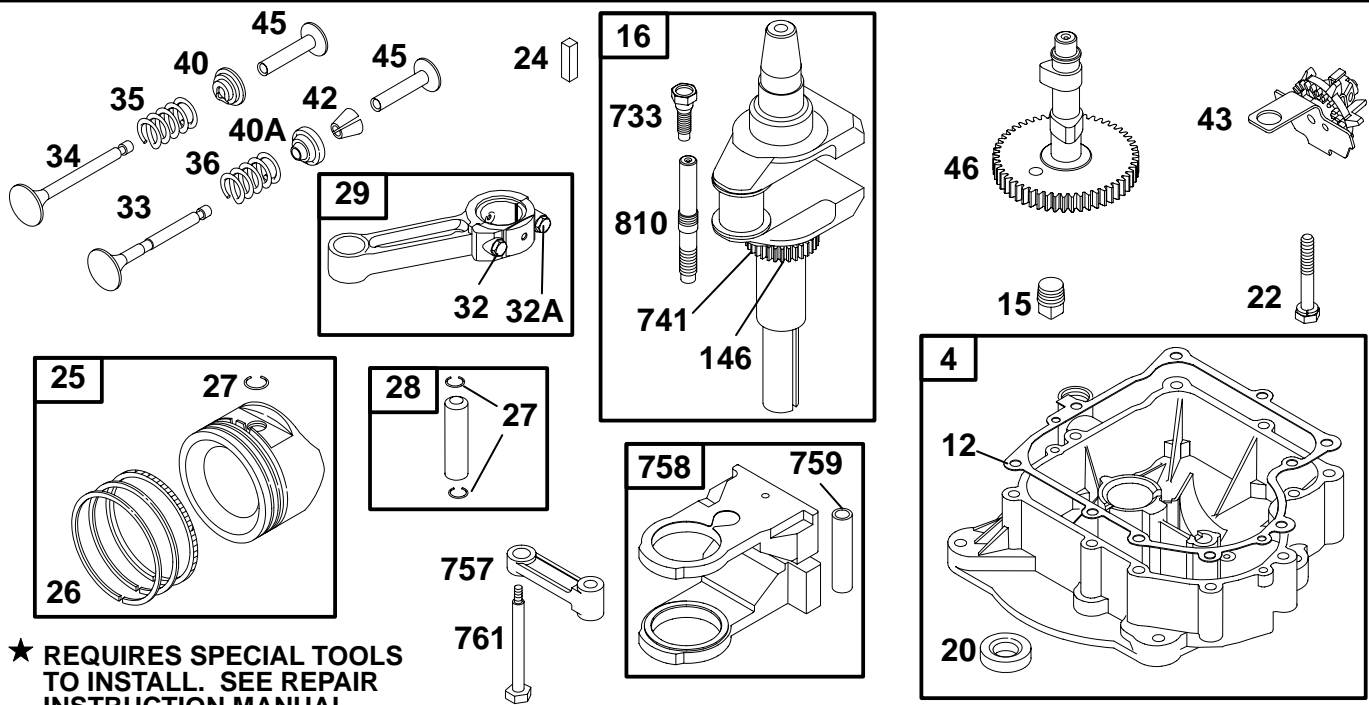


REF. NO.	PART NO.	DESCRIPTION	REF. NO.	PART NO.	DESCRIPTION	REF. NO.	PART NO.	DESCRIPTION
1	496413	Cylinder Assembly	306	690459	Shield-Cylinder	847	496415	Dipstick/Tube Assembly
2	399265	Kit-Bushing/Seal (Magneto Side)	307	94930	Screw (Cylinder Shield)	869	261463	Seat-Valve (Intake)
3	★391086	Seal-Oil (Magneto Side)	308	491490	Cover-Cylinder Head	870	262405	Seat-Valve (Exhaust)
5	494240	Head-Cylinder	322	94786	Screw (Cylinder Head Cover)	871	261961	Bushing-Valve Guide (Exhaust Valve)
7	∅★271866	Gasket-Cylinder Head	337	802592	Sparkplug	_____ Note _____ 231218 Bushing-Valve Guide (Brass Intake Valve)		
8	495735	Breather Assembly	383	89838	Wrench-Sparkplug	1019	491252	Kit-Label
9	∅★27803	Gasket-Breather	523	495230	Dipstick	1058	274787	Owner's Manual (Emission)
10	691666	Screw (Breather Assembly)	524	★281370	Seal-Dipstick Tube	_____ Note _____ 272697 Owner's Manual (Non Emission)		
11	280100	Tube-Breather	525	691398	Tube-Dipstick			
13	94622	Screw (Cylinder Head)	552	491986	Bushing-Governor Crank			
13A	94881	Screw (Cylinder Head)	635	66538	Boot-Sparkplug			
287	94903	Screw (Dipstick Tube)	668	690510	Spacer			
			691	★491323	Seal-Governor Shaft			
			718	230192	Pin-Locating			
			842	★270920	Seal-O-Ring			

★ Included in Engine Gasket Set-Reference 358.
 ● Included in Carburetor Overhaul Kit-Reference 121.

◆ Included in Carburetor Gasket Set-Reference 977.
 ∅ Included in Valve Gasket Set-Reference 1095.

28R700 to 28R799



★ **REQUIRES SPECIAL TOOLS TO INSTALL. SEE REPAIR INSTRUCTION MANUAL.**

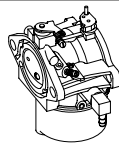
REF. NO.	PART NO.	DESCRIPTION	REF. NO.	PART NO.	DESCRIPTION	REF. NO.	PART NO.	DESCRIPTION
4	494238	Sump—Engine	26	391780	Ring Set (Standard)	35	65906	Spring—Valve (Intake)
12	★271916	Gasket—Crankcase (.015" Standard)			Note	36	26828	Spring—Valve (Exhaust)
		Note			392331 Ring Set (Chrome Standard)	40	221596	Retainer—Valve (Intake)
		★271997 Gasket—Crankcase (.005")			499997 Ring Set (.010" O.S.)	40A	292260	Retainer—Valve (Exhaust)
		★271996 Gasket—Crankcase (.009")			499998 Ring Set (.020" O.S.)	42	494553	Keeper—Valve
15	94239	Plug—Oil Drain	27	691299	Lock—Piston Pin	43	490815	Slinger—Governor/Oil
16	693944	Crankshaft	28	498319	Pin—Piston (Standard)	45	262248	Tappet—Valve
20	★291675	Seal—Oil (PTO Side)			Note	46	212897	Camshaft
22	692125	Screw (Crankcase Cover/ Sump Sump)			498320 Pin—Piston (.005" O.S.)			Note
24	222698	Key—Flywheel	29	494504	Rod—Connecting (Standard)			692123 Camshaft Used on Type No(s). 1028, 1114, 1150.
25	499282	Piston Assembly (Standard)			Note	146	94196	Key—Timing
		Note			490469 Rod—Connecting (.020" Undersize)	733	94673	Screw (Crankshaft Extension)
		499288 Piston Assembly (.010" O.S.)	32	690348	Screw (Connecting Rod)	741	691284	Gear—Timing
		499292 Piston Assembly (.020" O.S.)	32A	690356	Screw (Connecting Rod)	757	213998	Link—Counterweight
		499296 Piston Assembly (.030" O.S.)	33	262246	Valve—Exhaust	758	692423	Counterweight
			34	262247	Valve—Intake	759	691239	Pin—Counterweight
						761	691096	Screw (Counterweight)
						810	231828	Extension—Crankshaft

★ Included in Engine Gasket Set—Reference 358.
● Included in Carburetor Overhaul Kit—Reference 121.

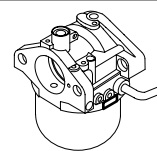
◆ Included in Carburetor Gasket Set—Reference 977.
⊗ Included in Valve Gasket Set—Reference 1095.

28R700 to 28R799

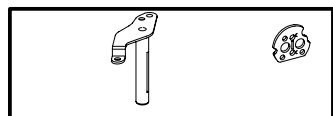
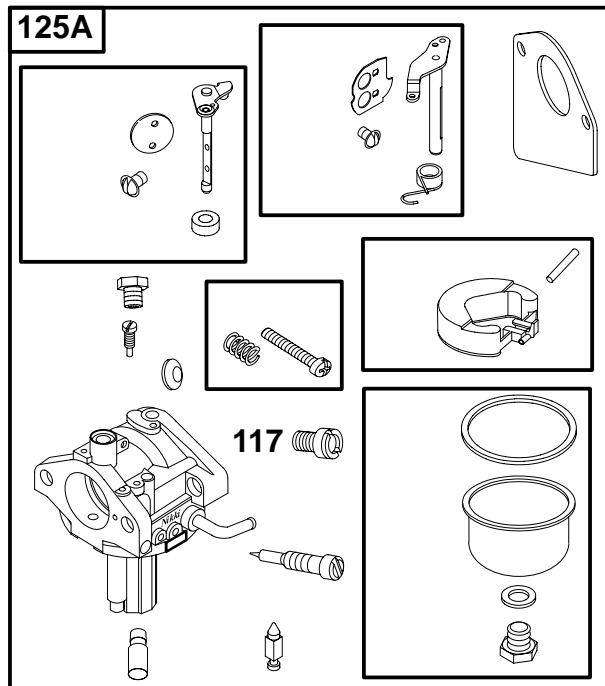
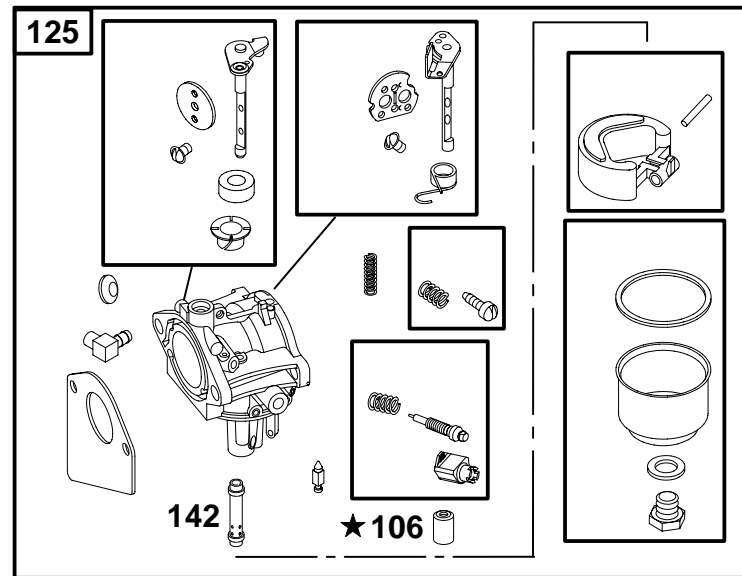
WALBRO



NIKKI



★ **REQUIRES SPECIAL TOOLS TO INSTALL. SEE REPAIR INSTRUCTION MANUAL.**



142A

SEE NEXT PAGE FOR COMPONENT SERVICE

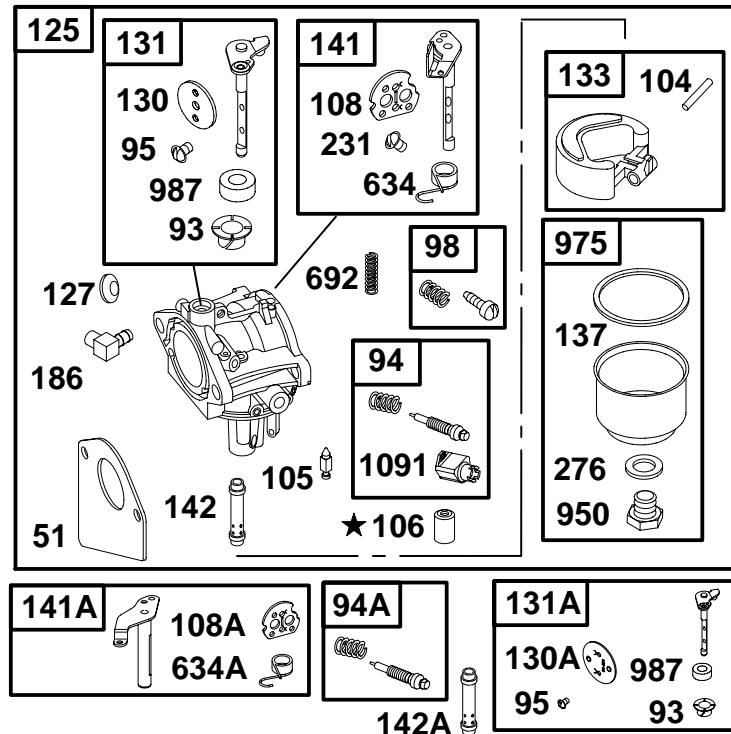
REF. NO.	PART NO.	DESCRIPTION	REF. NO.	PART NO.	DESCRIPTION	REF. NO.	PART NO.	DESCRIPTION
106	●231854	Seat-Inlet	142	●691434	Nozzle-Carburetor (Standard) (LMT 92, 93, 94, 96)	142A	●691425	Nozzle-Carburetor (Standard) (LMT 81, 157)
117	●690880	Jet-Main						
Note			Note			Note		
	●694925	Jet-Main (High Altitude)		497737	Nozzle-Carburetor (High Altitude) (LMT 92, 96)		497567	Nozzle-Carburetor (High Altitude) (LMT 157)
125	498027	Carburetor (Walbro)						
125A	694941	Carburetor (Nikki)						

★ Included in Engine Gasket Set-Reference 358.
● Included in Carburetor Overhaul Kit-Reference 121.

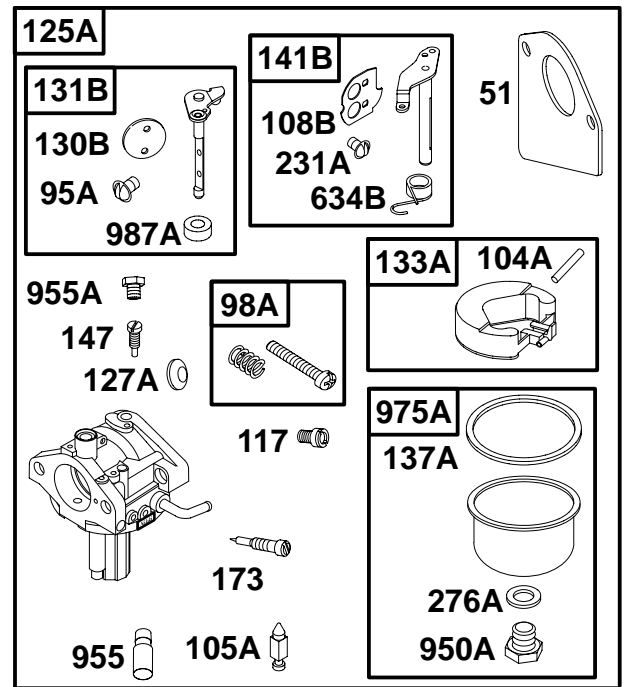
◆ Included in Carburetor Gasket Set-Reference 977.
∅ Included in Valve Gasket Set-Reference 1095.

★ REQUIRES SPECIAL TOOLS TO INSTALL. SEE REPAIR INSTRUCTION MANUAL.

WALBRO



NIKKI

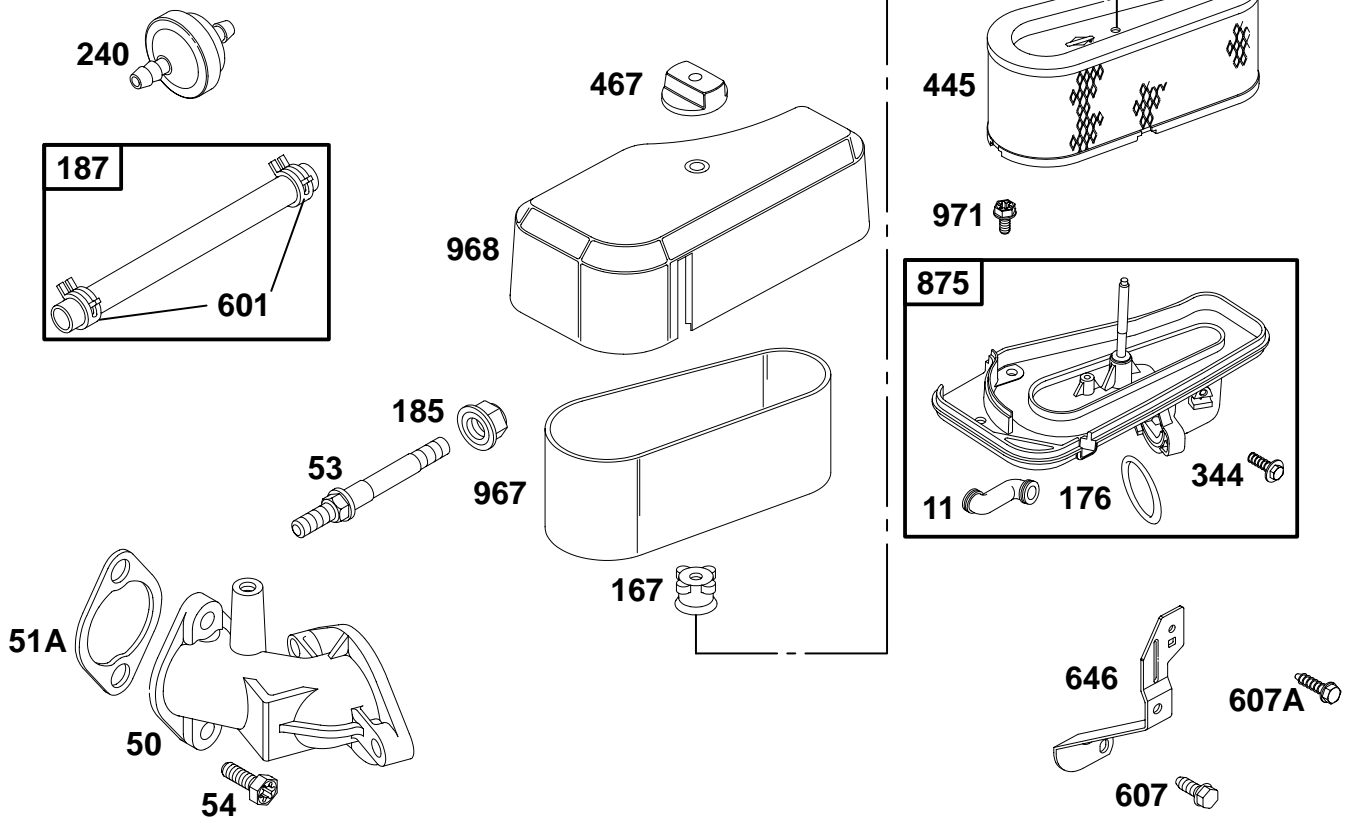


REF. NO.	PART NO.	DESCRIPTION	REF. NO.	PART NO.	DESCRIPTION	REF. NO.	PART NO.	DESCRIPTION
51	●♦272465	Gasket-Intake	125A		Carburetor (Nikki) (See Previous Page)	142A		Nozzle-Carburetor (See Previous Page)
93	690602	Bushing-Throttle Shaft	127	●695005	Plug-Welch	147	●694927	Jet-Pilot
94	498030	Kit-Idle Mixture	127A	●694916	Plug-Welch	173	694926	Valve-Idle Mixture
94A	494383	Kit-Idle Mixture	130	690468	Valve-Throttle	186	493496	Connector-Hose
95	●94098	Screw (Throttle Valve)	130A	224539	Valve-Throttle (Use on LMT 92)	231	●94098	Screw (Choke Valve)
95A	●690718	Screw (Throttle Valve)	130B	694917	Valve-Throttle	231A	●690718	Screw (Choke Valve)
98	495800	Kit-Idle Speed	131	494885	Kit-Throttle Shaft	276	●♦281164	Washer-Sealing
98A	694907	Kit-Idle Speed	131A	494379	Kit-Throttle Shaft (Use on LMT 92)	276A	●♦690997	Washer-Sealing
104	●690525	Pin-Float Hinge	131B	694909	Kit-Throttle Shaft	634	●690801	Spring/Seal Assembly (Manual Choke)
104A	●694918	Pin-Float Hinge	133	494381	Float-Carburetor	634A	●690802	Spring/Seal Assembly (Choke A Matic)
105	●231855	Valve-Float Needle	133A	694914	Float-Carburetor	634B	●694912	Spring/Seal Assembly
105A	●694922	Valve-Float Needle	137	●♦281165	Gasket-Float Bowl	692	690572	Spring-Detent
106		Seat-Inlet (See Previous Page)	137A	●♦694920	Gasket-Float Bowl	950	94642	Screw-Float Bowl
108	690464	Valve-Choke (Manual Choke)	141	495097	Kit-Choke Shaft (Manual Choke)	950A	694919	Screw-Float Bowl
108A	692344	Valve-Choke (Choke A Matic)	141A	495931	Kit-Choke Shaft (Choke A Matic)	955	●694924	Plug-Carburetor
108B	694923	Valve-Choke	141B	694913	Kit-Choke Shaft	955A	694921	Plug-Carburetor
117	●	Jet-Main (See Previous Page)	142		Nozzle-Carburetor (See Previous Page)	975	495933	Bowl-Float
125		Carburetor (Walbro) (See Previous Page)				975A	694908	Bowl-Float
						987	●691326	Seal-Throttle Shaft
						987A	●690998	Seal-Throttle Shaft
						1091	691333	Cap-Limiter

★ Included in Engine Gasket Set-Reference 358.
● Included in Carburetor Overhaul Kit-Reference 121.

♦ Included in Carburetor Gasket Set-Reference 977.
⊗ Included in Valve Gasket Set-Reference 1095.

28R700 to 28R799

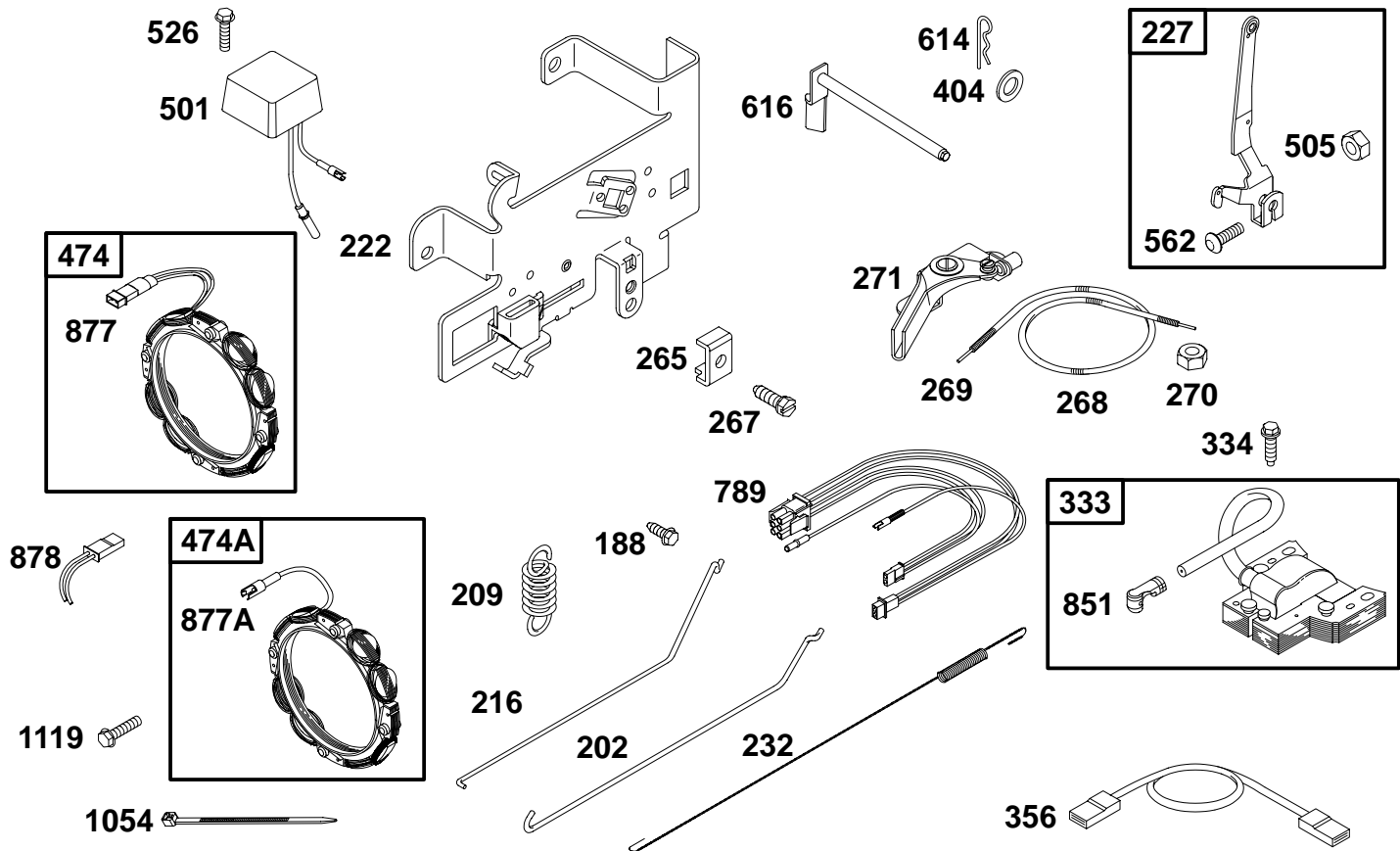


REF. NO.	PART NO.	DESCRIPTION	REF. NO.	PART NO.	DESCRIPTION	REF. NO.	PART NO.	DESCRIPTION		
11	280100	Tube-Breather	240	394358	Filter-Fuel	875	694942	Base-Air Cleaner (Used With Nikki Carburetor)		
50	213819	Manifold-Intake	Note _____			Note _____				
51A	Ø★272554	Gasket-Intake			298090		Filter-Fuel Used on Type No(s). 1114.	693676	Base-Air Cleaner (Used With Walbro Carburetor)	
53	691098	Stud (Carburetor)	344	693675	Screw (Cable Clamp)			98091300).		
54	94913	Screw (Intake Manifold)	445	496894	Filter-Air Cleaner Cartridge			494237	Base-Air Cleaner (Used With Walbro Carburetor)	
167	281051	Seal-Air Cleaner Nut	467	493903	Knob-Air Cleaner			98091400).		
176	Ø★281106	Seal-O-Ring (Air Cleaner Base)	601	95162	Clamp-Hose			697	272403	Filter-Pre Cleaner
185	94010	Nut (Air Cleaner Base)	607	94929	Screw (Air Cleaner Brace)			968	691332	Cover-Air Cleaner
187	296004	Line-Fuel (Cut to Required-Length)	607A	690703	Screw (Air Cleaner Brace)			971	692126	Screw (Air Cleaner Base)
			646	690460	Brace-Air Cleaner					

★ Included in Engine Gasket Set-Reference 358.
● Included in Carburetor Overhaul Kit-Reference 121.

◆ Included in Carburetor Gasket Set-Reference 977.
Ø Included in Valve Gasket Set-Reference 1095.

28R700 to 28R799

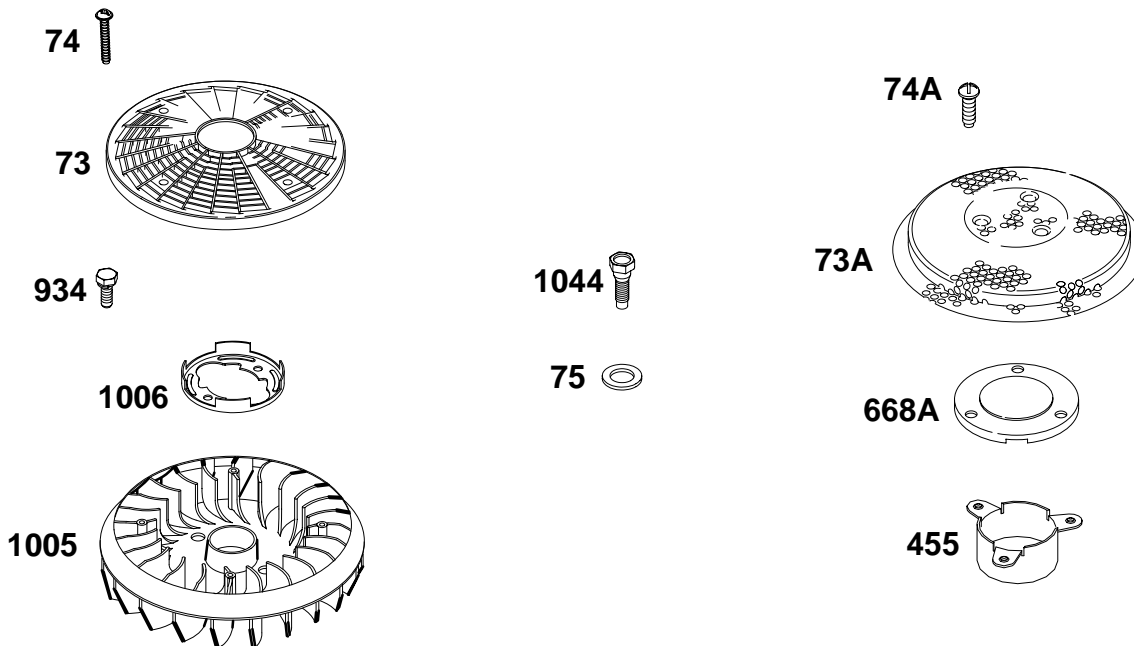


REF. NO.	PART NO.	DESCRIPTION	REF. NO.	PART NO.	DESCRIPTION	REF. NO.	PART NO.	DESCRIPTION
188	94929	Screw (Control Bracket)	232	262785	Spring-Governor Link	501	491546	Regulator
202	262767	Link-Mechanical Governor	265	221535	Clamp-Casing	505	691251	Nut (Governor Control Lever)
209	260871	Spring-Governor Note 261306 Spring-Governor Used on Type No(s) 1114.	267	94906	Screw (Casing Clamp)	526	690326	Screw (Regulator)
216	262766	Link-Choke	268	65616	Casing-Control Wire (Cut To Required Length)	562	691119	Bolt (Governor Control Lever)
222	694042	Bracket-Control (Used After Code Date 99010700). Note 495611 Bracket-Control (Used Before Code Date 99010800).	269	26633	Wire-Control (Cut To Required Length)	614	93306	Pin-Cotter
227	691374	Lever-Governor Control	270	63426	Nut (Control Wire Casing)	616	495157	Crank-Governor
			271	290568	Lever-Control	789	695050	Harness-Wiring
			333	492341	Armature-Magneto	851	493880	Terminal-Sparkplug
			334	94731	Screw (Magneto Armature)	877	393456	Wire/Connector-Alternator
			356	690799	Wire-Stop	877A	393537	Wire/Connector-Alternator
			404	94927	Washer (Governor Crank)	878	393362	Harness-Alternator
			474	393474	Alternator	1054	280275	Tie-Cable
			474A	392595	Alternator	1119	93621	Screw (Alternator)

★ Included in Engine Gasket Set-Reference 358.
● Included in Carburetor Overhaul Kit-Reference 121.

◆ Included in Carburetor Gasket Set-Reference 977.
⊗ Included in Valve Gasket Set-Reference 1095.

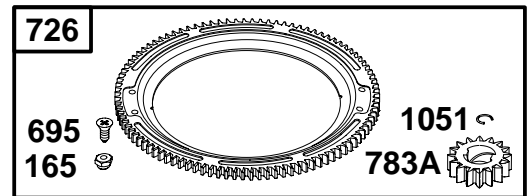
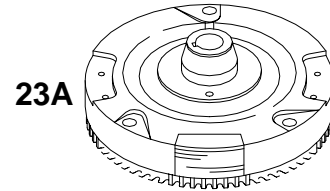
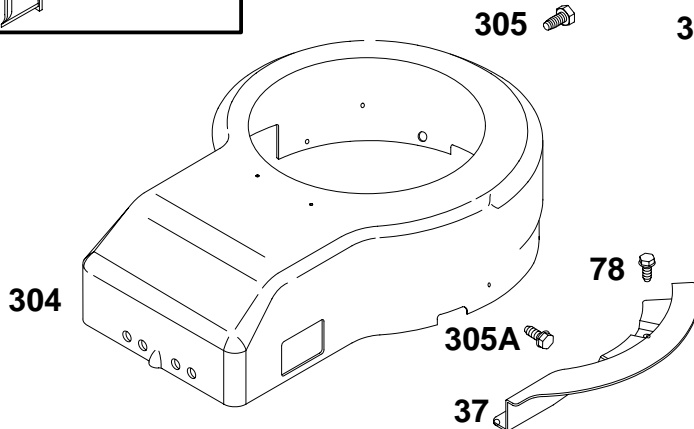
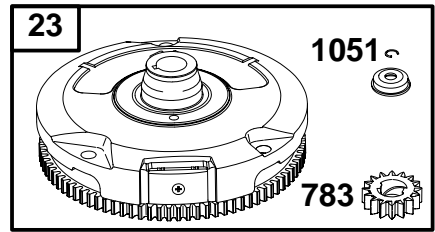
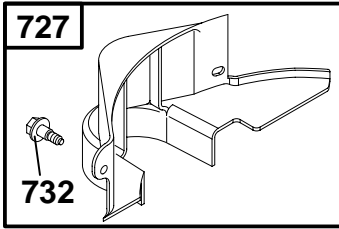
28R700 to 28R799



REF. NO.	PART NO.	DESCRIPTION	REF. NO.	PART NO.	DESCRIPTION	REF. NO.	PART NO.	DESCRIPTION
73	691055	Screen-Rotating (Used After Code Date 00040200). Note 494439 Screen-Rotating (Used Before Code Date (00040300).	74	691057	Screw (Rotating Screen) (Used After Code Date 00040200). Note 94821 Screw (Rotating Screen) (Used Before Code Date 00040300).	1005	695492	Fan-Flywheel (Used After Code Date 00040200). Note 281400 Fan-Flywheel (Used Before Code Date (00040300). 695056 Fan-Flywheel Used on Type No(s). 1028, 1140, 1150, 1114.
73A	690492	Screen-Rotating	74A	94626	Screw	1006	690452	Retainer-Fan
			75	225136	Washer (Flywheel)	1044	94673	Screw (Flywheel)
			455	691173	Cup-Flywheel			
			668A	691323	Spacer			
			934	94627	Screw (Fan Retainer)			

★ Included in Engine Gasket Set-Reference 358.
● Included in Carburetor Overhaul Kit-Reference 121.

◆ Included in Carburetor Gasket Set-Reference 977.
⊘ Included in Valve Gasket Set-Reference 1095.



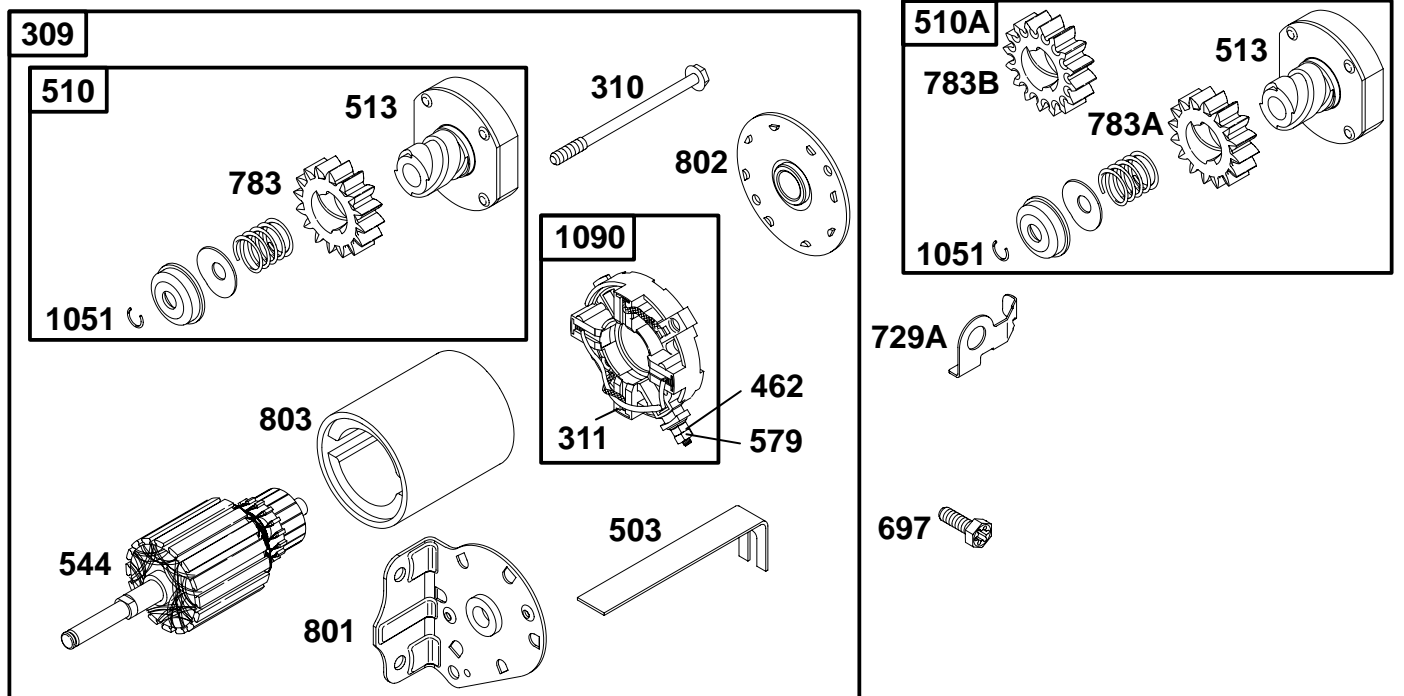
1036 LABEL KIT-EMISSION

REF. NO.	PART NO.	DESCRIPTION	REF. NO.	PART NO.	DESCRIPTION	REF. NO.	PART NO.	DESCRIPTION
23	693557	Flywheel (Steel Ring Gear) (Includes Steel Pinion Gear)	305A	692127	Screw (Blower Housing)	1036	695699	Label-Emissions (Used After Code Date 00063000).
		Note	363	19203	Flywheel Puller			Note
		693556 Flywheel (Steel Ring Gear) Used on Type No(s). 1150.	695	693109	Screw (Ring Gear)			695036 Label-Emissions (Used Before Code Date 00070100 and After Code Date 99093000).
23A	492326	Flywheel (Plastic Ring Gear) (Used Before Code Date 98091400).	726	399676	Gear-Ring (Aluminum-Services Plastic Ring Gear Only)			696325 Label-Emissions (Used Before Code Date 99010100 and After Code Date 98123100).
37	690456	Guard-Flywheel	727	490324	Cover-Starter Drive			499362 Label-Emissions (Used Before Code Date 99010100 and After Code Date 97052500).
78	94896	Screw (Flywheel Guard)	729	690596	Clip-Wire			499361 Label-Emissions (Used Before Code Date 97052600).
165	693148	Nut (Ring Gear)	732	94903	Screw (Starter Drive Cover)			
304	691399	Housing-Blower	783	693713	Gear-Pinion (For Steel Ring Gear Only)			
305	94786	Screw (Blower Housing)	783A	693059	Gear-Pinion (For Aluminum Ring Gear Only)			
						1051	263080	Ring-Retaining

★ Included in Engine Gasket Set-Reference 358.
● Included in Carburetor Overhaul Kit-Reference 121.

◆ Included in Carburetor Gasket Set-Reference 977.
⊗ Included in Valve Gasket Set-Reference 1095.

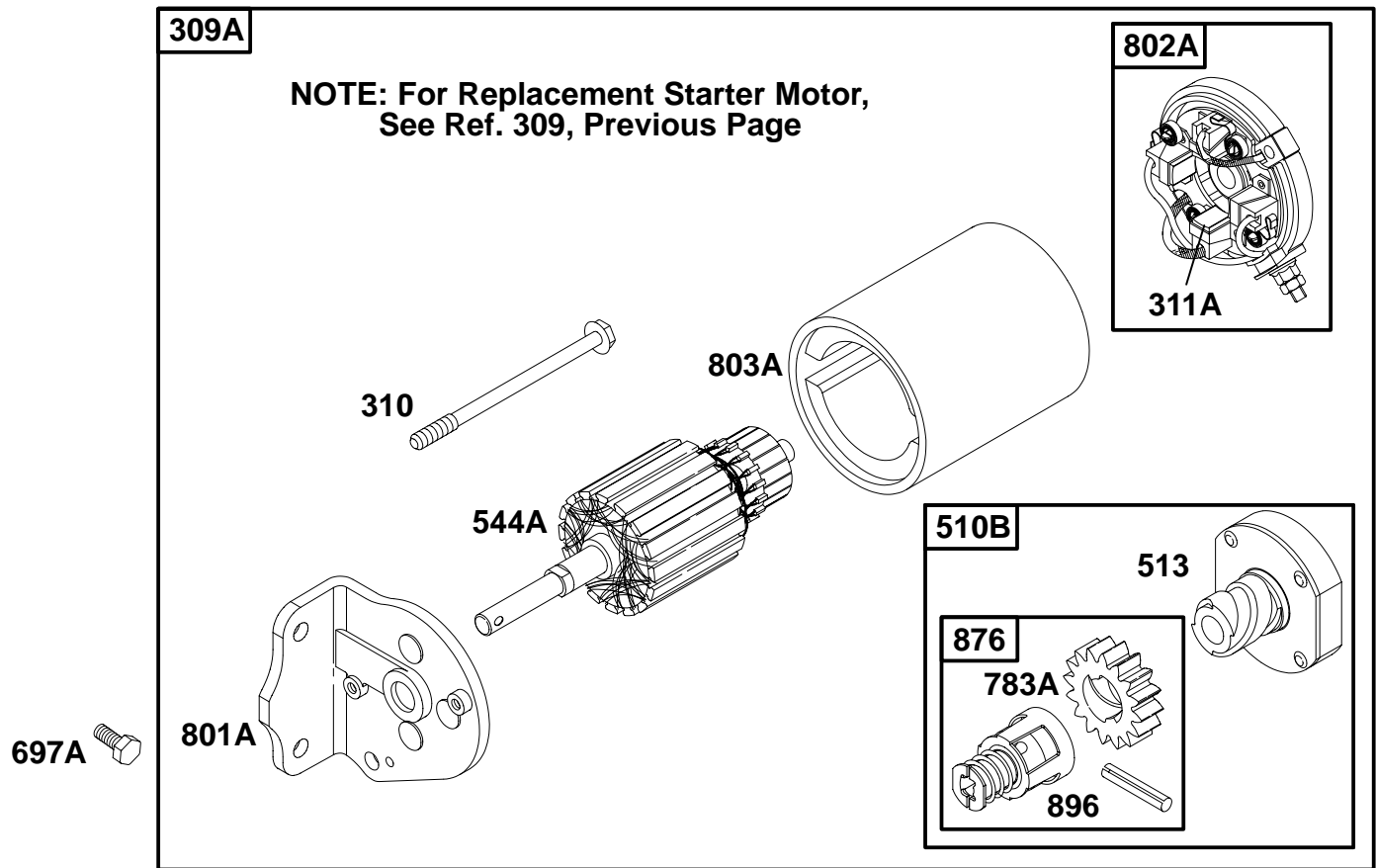
28R700 to 28R799



REF. NO.	PART NO.	DESCRIPTION	REF. NO.	PART NO.	DESCRIPTION	REF. NO.	PART NO.	DESCRIPTION
309	693551	Motor-Starter (3 5/8 Housing Length For Steel Ring Gear Only) —— Note —— 497595 Motor-Starter (3 5/8 Housing Length For Plastic Ring Gear Only) 497401 Motor-Starter (4 3/8 Housing Length For Plastic Ring Gear Only) 693054 Motor-Starter (3 5/8 Housing Length For Aluminum Ring Gear Only) 499521 Motor-Starter (4 3/8 Housing Length For Aluminum Ring Gear Only)	310	690323	Bolt (Starter Motor 3 5/8 Housing Length) —— Note —— 691263 Bolt (Starter Motor 4 3/8 Housing Length)	697	690372	Screw (Drive Cap)
			311	497608	Brush Set	729A	691224	Clip-Wire
			462	225137	Washer (Starter Cable)	783	693713	Gear-Pinion (For Steel Ring Gear Only)
			503	691532	Strap-Starter	783A	693059	Gear-Pinion (For Aluminum Ring Gear Only)
			510	693699	Drive-Starter (Used With Steel Ring Gear)	783B	693058	Gear-Pinion (For Plastic Ring Gear Only)
			510A	497606	Drive-Starter (Used With Aluminum & Plastic Ring Gears)	801	691429	Cap-Drive
			513	398003	Clutch-Drive	802	497607	Cap-End
			544	497603	Armature-Starter (3 5/8 Housing Length)	803	691427	Housing-Starter (3 5/8 Housing Length)
			579	92278	Nut (Starter Cable)	1051	263080	Ring-Retaining
						1090	497605	Retainer-Brush

★ Included in Engine Gasket Set-Reference 358.
● Included in Carburetor Overhaul Kit-Reference 121.

◆ Included in Carburetor Gasket Set-Reference 977.
⊗ Included in Valve Gasket Set-Reference 1095.

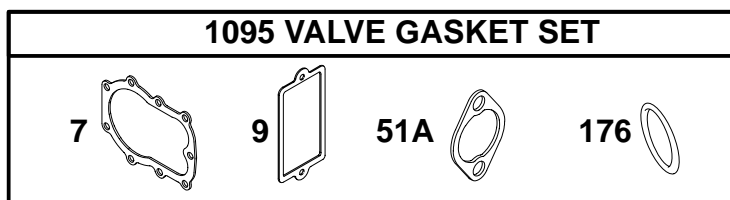
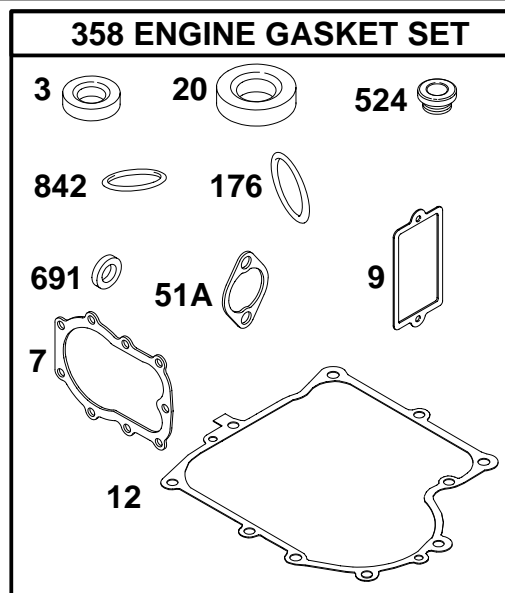
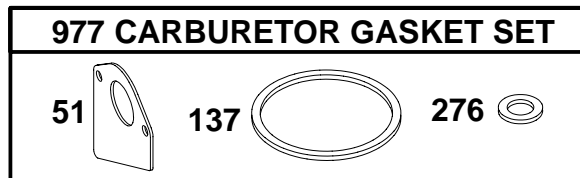
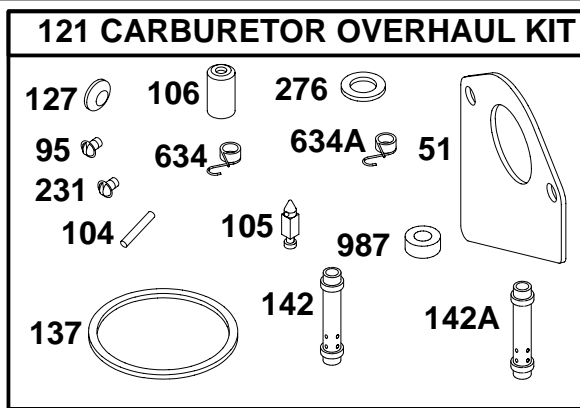


REF. NO.	PART NO.	DESCRIPTION	REF. NO.	PART NO.	DESCRIPTION	REF. NO.	PART NO.	DESCRIPTION
309A		Motor-Starter (For Replacement Starter Motor, See Ref 309, Previous Page)	510B	495878	Drive-Starter	802A	395537	Cap-End (3 5/8 Housing Length) ———— Note ————
310	690323	Bolt (Starter Motor) (3 5/8 Housing Length) ———— Note ————	513	398003	Clutch-Drive			494988 Cap-End (4 3/8 Housing Length)
		691263 Bolt (Starter Motor) (4 3/8 Housing Length)	544A	390837	Armature-Starter (3 5/8 Housing Length) ———— Note ————	803A	398159	Housing-Starter (3 5/8 Housing Length) ———— Note ————
		691263 Bolt (Starter Motor) (4 3/8 Housing Length)			490309 Armature-Starter (4 3/8 Housing Length)			494205 Housing-Starter (4 3/8 Housing Length)
311A	395538	Brush Set (3 5/8 Housing Lengths)	697A	94627	Screw (Drive Cap)	876	495877	Kit-Pinion Spring
			783A	693059	Gear-Pinion (For Aluminum Ring Gear Only)	896	94288	Pin-Drive Retainer
			801A	394856	Cap-Drive			

★ Included in Engine Gasket Set-Reference 358.
● Included in Carburetor Overhaul Kit-Reference 121.

◆ Included in Carburetor Gasket Set-Reference 977.
⊘ Included in Valve Gasket Set-Reference 1095.

28R700 to 28R799

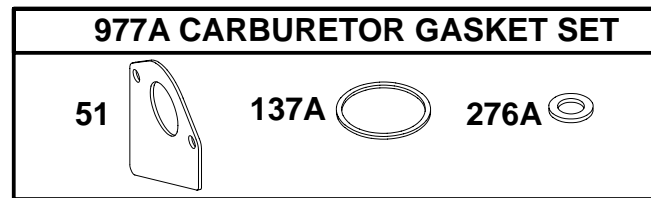
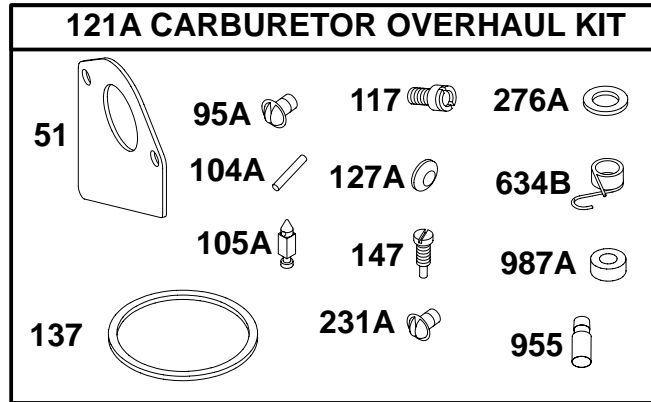


REF. NO.	PART NO.	DESCRIPTION	REF. NO.	PART NO.	DESCRIPTION	REF. NO.	PART NO.	DESCRIPTION
3	★391086	Seal—Oil (Magneto Side)	104	●690525	Pin—Float Hinge	176	∅★281106	O-Ring Seal (Air Cleaner Base)
7	∅★271866	Gasket—Cylinder Head	105	●231855	Valve—Float Needle	231	●94098	Screw (Choke Valve)
9	∅★27803	Gasket—Breather	106	●231854	Seat—Inlet	276	●★281164	Washer—Sealing
12	★271916	Gasket—Crankcase (.015" Standard)	121	499220	Kit—Carburetor Overhaul (LMT 92, 96)	358	494241	Gasket Set—Engine
	Note			Note		524	★281370	Seal—Dipstick Tube
	★271997	Gasket—Crankcase (.005")		499231	Kit—Carburetor Overhaul (LMT 157)	634	●690801	Spring/Seal Assembly (Manual Choke)
	★271996	Gasket—Crankcase (.009")	127	●695005	Plug—Welch	634A	●690802	Spring/Seal Assembly (Choke A Matic)
20	★291675	Seal—Oil (PTO Side)	137	●★281165	Gasket—Float Bowl	691	★491323	Seal—Governor Shaft
51	●★272465	Gasket—Intake	142	●691434	Nozzle—Carburetor (Standard) (LMT 92, 93, 94, 96)	842	★270920	O—Ring Seal
51A	∅★272554	Gasket—Intake	142A	●691425	Nozzle—Carburetor (Standard) (LMT 81, 157)	977	494385	Gasket—Carburetor Set
95	●94098	Screw (Throttle Valve)				987	●691326	Throttle Shaft Seal
						1095	498539	Gasket Set—Valve

★ Included in Engine Gasket Set—Reference 358.
● Included in Carburetor Overhaul Kit—Reference 121.

◆ Included in Carburetor Gasket Set—Reference 977.
∅ Included in Valve Gasket Set—Reference 1095.

NIKKI CARBURETOR GASKET KITS



REF. NO.	PART NO.	DESCRIPTION	REF. NO.	PART NO.	DESCRIPTION	REF. NO.	PART NO.	DESCRIPTION
51	◆272465	Gasket-Intake	104A	●694918	Pin-Float Hinge	231A	●690718	Screw (Choke Valve)
117	●690880	Jet-Main	105A	●694922	Valve-Float Needle	276A	◆690997	Washer-Sealing
		Note	121A	694930	Kit-Carburetor Overhaul	634B	●694912	Spring/Seal Assembly
		●694925 Jet-Main (High Altitude)	127A	●694916	Plug-Welch	955	●694924	Plug-Carburetor
95A	●805538	Screw (Throttle Valve)	137A	◆694920	Gasket-Float Bowl	977A	694931	Gasket Set-Carburetor
			147	●694927	Jet-Pilot	987A	●690998	Seal-Throttle Shaft

★ Included in Engine Gasket Set-Reference 358.
● Included in Carburetor Overhaul Kit-Reference 121.

◆ Included in Carburetor Gasket Set-Reference 977.
∅ Included in Valve Gasket Set-Reference 1095.